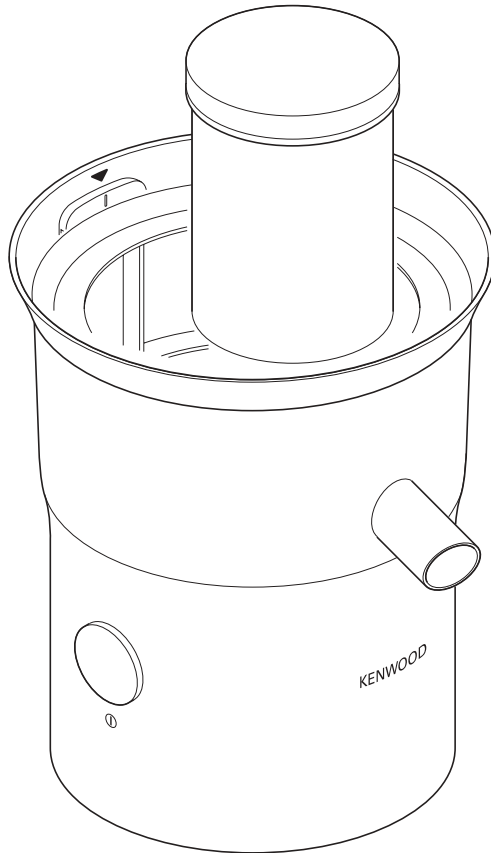
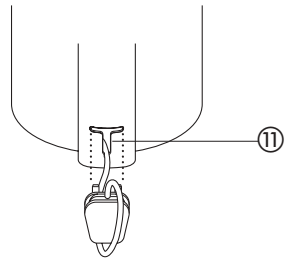
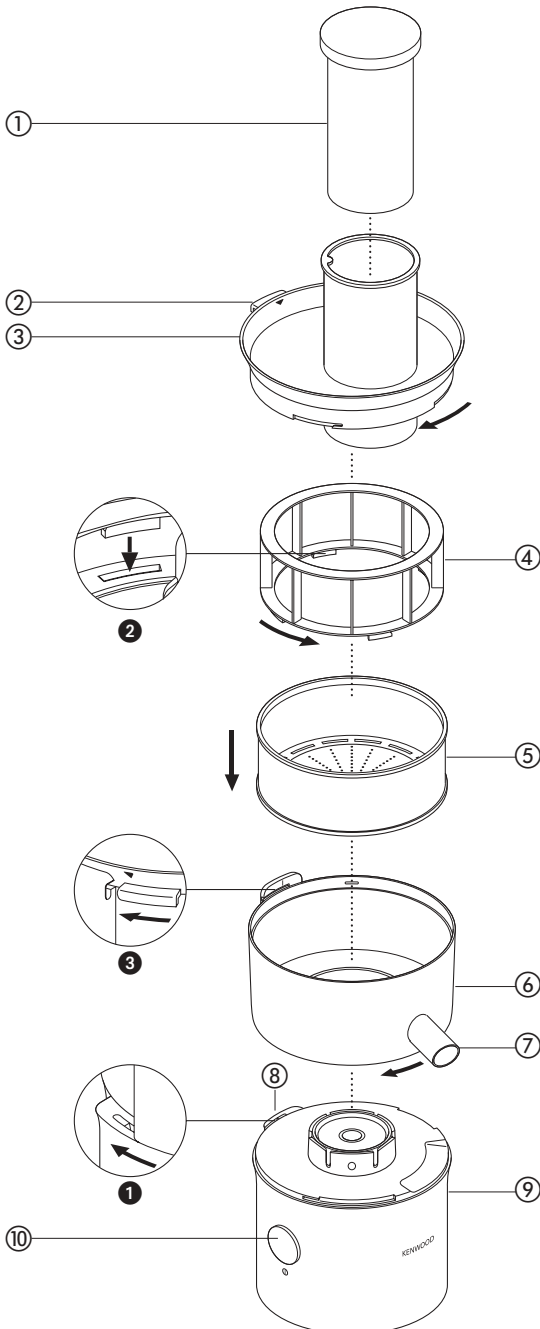


KENWOOD



JE950



before using your Kenwood appliance

- Read these instructions carefully and retain for future reference.
- Remove all packaging and any labels.

safety

● Do not use the juicer if the filter is damaged.

- The cutting blades on the base of the filter drum are very sharp, take care when handling and cleaning the drum.
- Only use the pusher supplied. Never put your fingers in the feed tube. Unplug before unblocking the feed tube.
- Before removing the lid, switch off and wait for the filter to stop.
- Never put the motor unit, cord or plug in water – you could get an electric shock.
- Switch off and unplug:
 - before fitting or removing parts
 - before cleaning
 - after use.
- Never use a damaged machine. Get it checked or repaired : see 'service'.
- Never use an unauthorised attachment.
- Never leave the machine on unattended.
- Never let the cord touch hot surfaces or hang down where a child could grab it.
- Don't touch moving parts.
- Always use the juicer on a flat level surface.
- This appliance is not intended for use by persons (including children) with reduced physical, sensory or mental capabilities, or lack of experience and knowledge, unless they have been given supervision or instruction concerning use of the appliance by a person responsible for their safety.
- Children should be supervised to ensure that they do not play with the appliance.
- Only use the appliance for its intended domestic use. Kenwood will not accept any liability if the appliance is subject to improper use, or failure to comply with these instructions.

before plugging in

- Make sure your electricity supply is the same as the one shown on the underside of your juicer.

Important – UK only

- The wires in the cord are coloured as follows:
Blue = Neutral, Brown = Live.
- The appliance must be protected by a 3A approved (BS1362) fuse.

Note:

- For non-rewireable plugs the fuse cover **MUST** be refitted when replacing the fuse. If the fuse cover is lost then the plug must not be used until a replacement can be obtained. The correct fuse cover is identified by colour and a replacement may be obtained from your Kenwood Authorised Repairer (see Service).
- If a non-rewireable plug is cut off it must be **DESTROYED IMMEDIATELY**. An electric shock hazard may arise if an unwanted non-rewireable plug is inadvertently inserted into a 13A socket outlet.
- This juicer complies with European Economic Community Directive 89/336/EEC.

before using for the first time

- 1 Wash the parts: see 'Cleaning'.
- 2 Store excess cord in the storage area ⑪ at the back of the juicer.

key

- ① pusher
- ② lid interlock tab
- ③ lid
- ④ pulp remover
- ⑤ filter drum
- ⑥ bowl
- ⑦ juice outlet
- ⑧ interlock
- ⑨ power unit
- ⑩ on/off button
- ⑪ cord storage

to use your centrifugal juicer

With your Kenwood Centrifugal Juicer you can enjoy the delicious, natural taste of the freshest juice - from your own choice of fruit and vegetables. And being a Kenwood, it's easy to use. So enjoy a healthier lifestyle with your Kenwood Centrifugal Juicer.

preparing food

- Remove stones (plums, peaches, cherries etc).
- Remove tough skins (melons, pineapples, cucumbers, potatoes etc).
- Soft-skinned and other foods just need washing (apples, pears, carrots, radishes, lettuce, cabbage, parsley, spinach, grapes, strawberries, celery etc).

assembly and use

- 1 Fit the bowl and turn clockwise until it locks ❶.
 - 2 Place the pulp remover into the filter drum - ensuring the tabs locate with the slots in the bottom of the drum ❷.
 - 3 Fit the filter drum – push down to ensure the drum is located correctly.
 - If the filter drum does not automatically drop down into the correct position, turn the basket slightly in either direction.
 - 4 Put the lid on and turn clockwise until it locks ❸.
- **Your juicer will not work if the lid is unlocked.**
- 5 Place a suitable glass or jug under the juice outlet.
 - 6 Cut the food to fit the feed tube.
 - 7 Plug in and the on/off button light will come on. Press the on/off button in to operate the juicer - the light will glow brighter. Push the food down with the pusher.
- After adding the last piece, let the juicer run for a further 20 seconds to extract all the juice from the filter drum.

important

- If the juicer starts to vibrate, switch off and empty the pulp from the drum. (The juicer vibrates if the pulp becomes unevenly distributed).
- Maximum capacity that can be processed at one time is 1Kg of fruit or vegetables.
- Some very hard foods may make your juicer slow down or stop. If this happens switch off and unblock the filter.
- Switch off and clear the pulp collector regularly during use.

to take your juicer apart

- Reverse the assembly procedure to take the juicer apart.

hints

- Insert soft food slowly to get the most juice.
- Vitamins disappear - the sooner you drink your juice, the more vitamins you'll get.
- If you need to store the juice for a few hours put it in the fridge. It will keep better if you add a few drops of lemon juice.
- Don't drink more than three 230mls (8 fl.oz.) glasses of juice a day unless you're used to it.
- Dilute juice for children with an equal amount of water.
- Juice from dark green (broccoli, spinach etc) or dark red (beetroot, red cabbage etc) vegetables is extremely strong, so always dilute it.
- Fruit juice is high in Fructose (fruit sugar), so people with diabetes or low blood sugar should avoid drinking too much.

cleaning

- Always switch off, unplug and dismantle before cleaning.
- For easier cleaning always wash the parts immediately after use.
- Never let the power unit, cord or plug get wet.
- Some foods, eg carrot, will discolour the plastic. Rubbing with a cloth dipped in vegetable oil helps remove discolouring.

power unit

- Wipe with a damp cloth, then dry.

filter

- Lift out the pulp remover and tap lightly to release the pulp.
- Clean using a soft brush.
- **Check the filter regularly for signs of damage. Do not use if the filter is damaged. Refer to "service and customer care"**

other parts

- Wash, then dry.
- Alternatively they can be washed on the top rack of your dishwasher. A short low temperature programme is recommended.

service

- If the cord is damaged it must, for safety reasons, be replaced by KENWOOD or an authorised KENWOOD repairer.

If you need help with:

- using your appliance or
- servicing or repairs (in or out of guarantee)
- ☎ call Kenwood customer care on **023 9239 2333**.

Have your model number ready - it's on the underside of your appliance.

- **spares and attachments**

☎ call 0870 2413653.

other countries

- Contact the shop where you bought your appliance.

guarantee

If your juicer goes wrong within one year from the date you bought it, we will repair or **where necessary** replace it free of charge provided:

- you have not misused, neglected or damaged it;
- it has not been modified (unless by Kenwood);
- it is not second-hand;
- it has not been used commercially;
- you have not fitted a plug incorrectly; and
- **you supply your receipt to show when you bought it.**

This guarantee does not affect your statutory rights.



Kenwood Limited, New Lane, Havant, Hampshire PO9 2NH, UK
www.kenwoodworld.com

18868/1

Download from Www.Somanuals.com. All Manuals Search And Download.

Free Manuals Download Website

<http://myh66.com>

<http://usermanuals.us>

<http://www.somanuals.com>

<http://www.4manuals.cc>

<http://www.manual-lib.com>

<http://www.404manual.com>

<http://www.luxmanual.com>

<http://aubethermostatmanual.com>

Golf course search by state

<http://golfingnear.com>

Email search by domain

<http://emailbydomain.com>

Auto manuals search

<http://auto.somanuals.com>

TV manuals search

<http://tv.somanuals.com>