

# KENWOOD

KM200 - KM260

Your new Kenwood Food Mixer will make food preparation a simple and enjoyable task. To reap maximum benefit from your mixer keep it ready to use on a convenient worktop for whenever you need it. A large range of attachments is available which will enable you to explore further culinary delights. (Please note some attachments are for special international markets only.)

## Connecting to Power

Before switching on make sure that the voltage of your electricity supply is the same as that indicated on the rating plate.

## KEY

- 1 Planetary Drive/Beater socket
- 2 Slow Speed Outlet
- 3 Slow Speed Locking Catch
- 4 Juice Extractor Outlet
- 5 High Speed Outlet
- 6 On/Off and Speed Control Switch
- 7 Body
- 8 Mixer Head Release Catch
- 9 Bowl

### Attachments

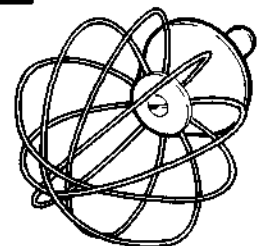
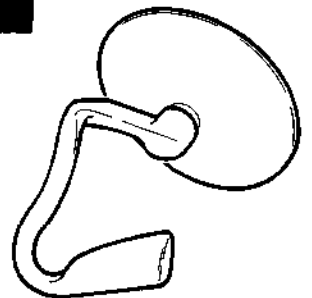
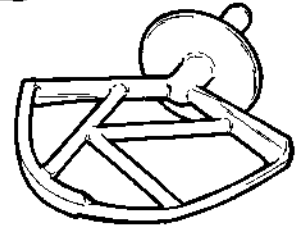
- 10 K Beater
- 11 Dough Hook
- 12 Whisk
- 13 Mincer
- 14 Sausage Adaptor
- 15 Kebbe Maker
- 16 Pasta Extruder
- 17 Slow Speed Slice/Shredder
- 18 Coffee Grinder
- 19 Grainmill
- 20 Cream Maker

### Model

- 21 Can Opener
- 22 Bean and Peel Slicer
- 23 Juice Extractor
- 24 Liquidiser
- 25 Spice Mill
- 26 High Speed Slicer/Shredder
- 27 Continuous Juice Separator
- 28 Potato Peeler (For Chefs)
- 28 Potato Peeler (For Majors)
- 29 Colander and Sieve
- 29 Colander and Sieve (For Chefs - Round Bowls)
- 29 Colander and Sieve (For Majors)
- 30 Stainless Steel Bowl (For Chefs)
- 30 Stainless Steel Bowl (For Majors)
- 31 Splashguard (For Chefs and Majors - Round Bowls)
- 31 Splashguard (For Chef 'D' Bowl)
- 32 Cover (For Chefs)

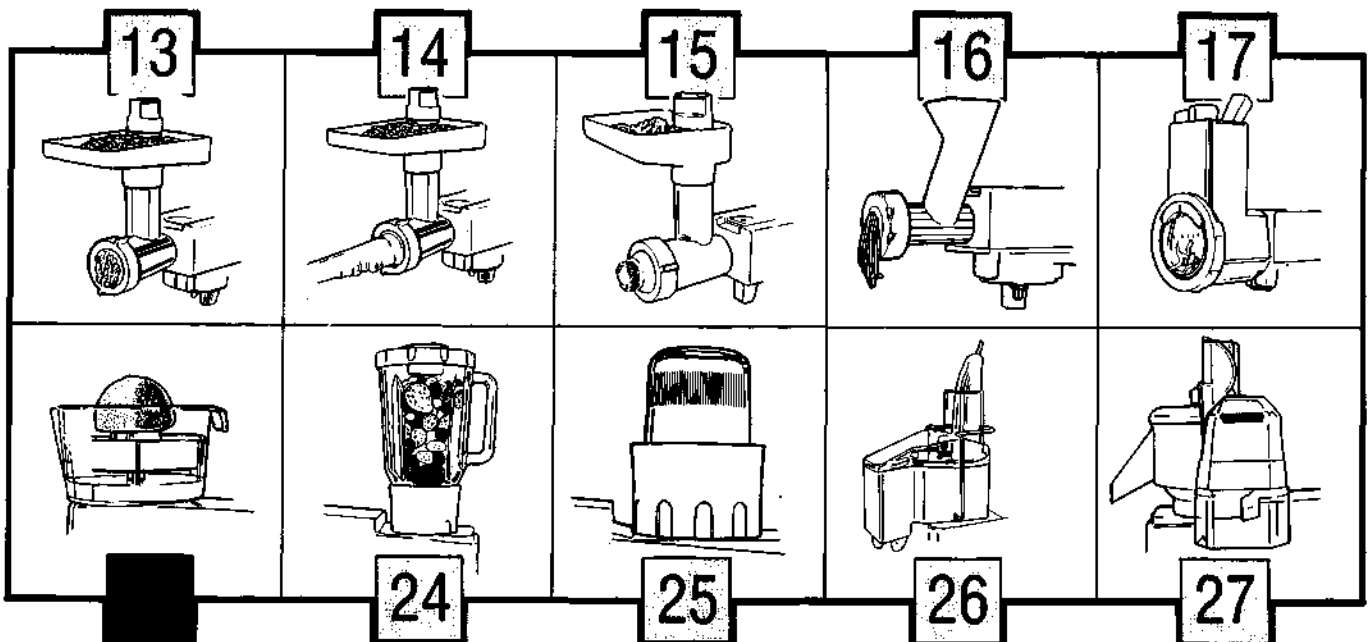
### Model

- A978
- A932
- A959
- A989/A990
- A938
- A929
- A935
- A934
- A952
- A992
- A930
- 18749
- 18748
- 31227
- 30238
- 29022

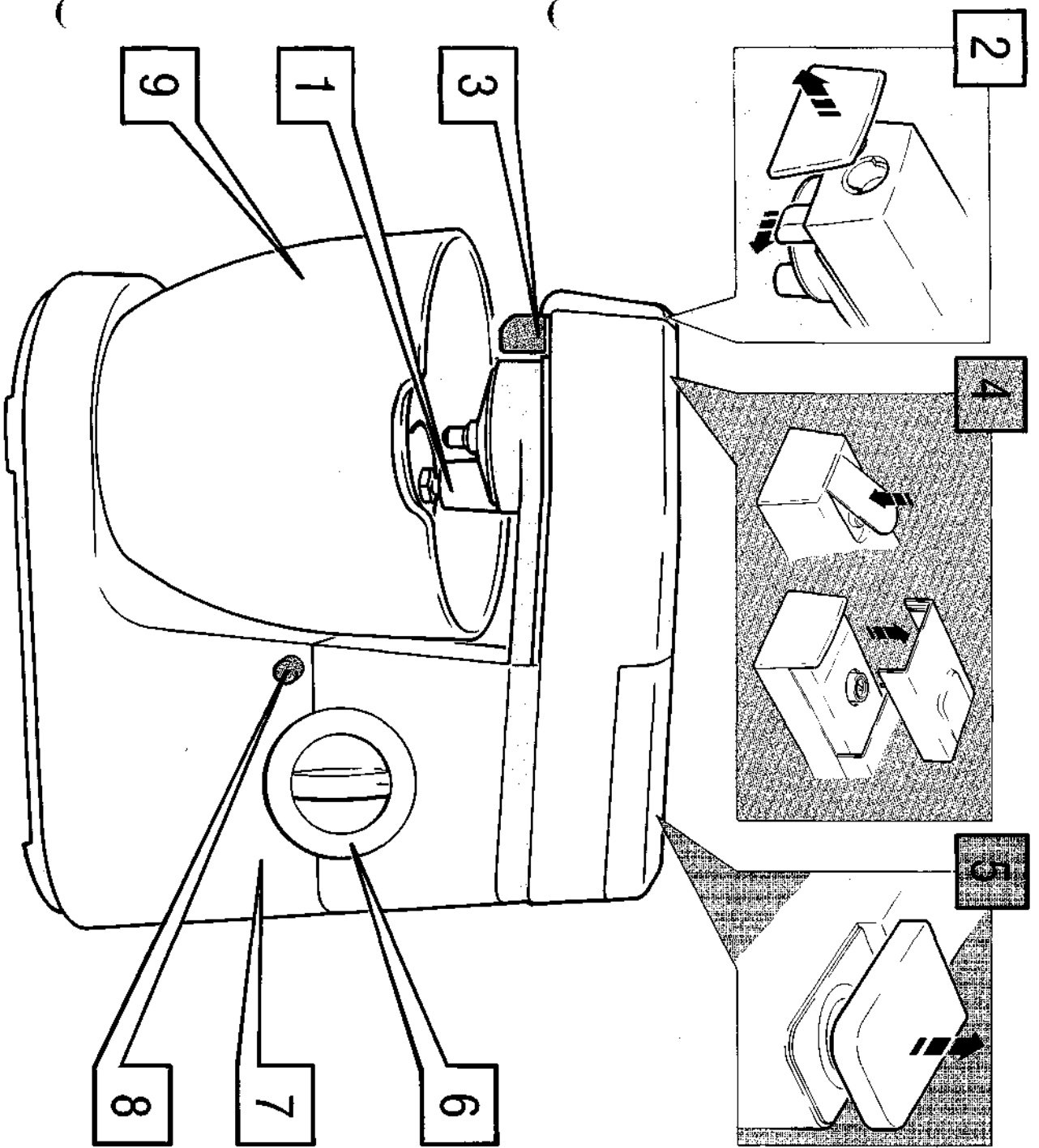


For ease of reference the attachments are colour coded to the outlets.

**Important Note** This appliance complies with European Economic Community Radio Interference Directive 82/499/EEC.

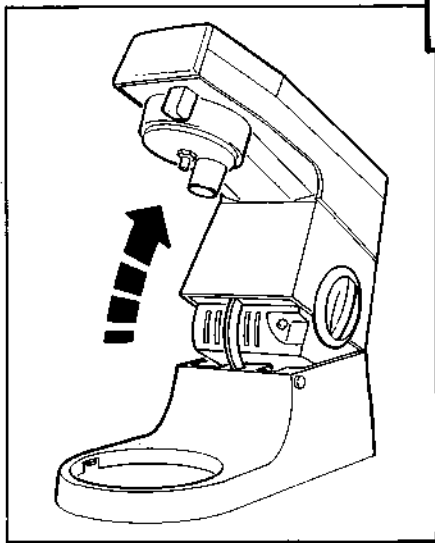


# Your Mixer and Attachments

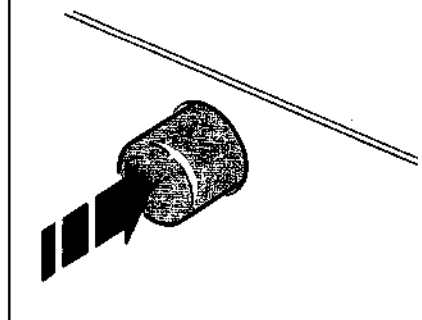


		18
		19
		20
		21
		22

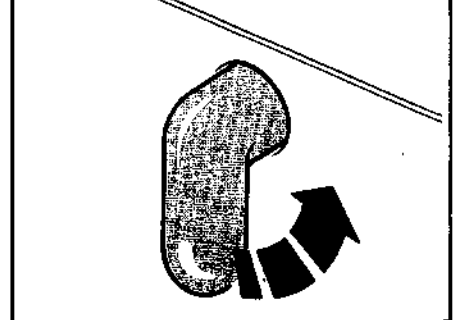
# Assembling Bowl and Attachments



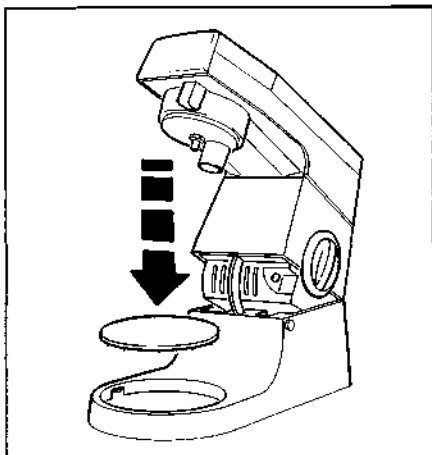
**A**



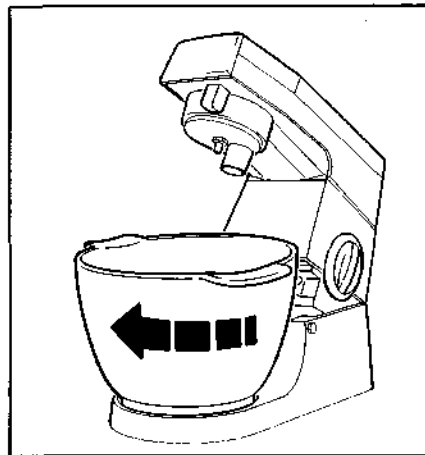
**B**



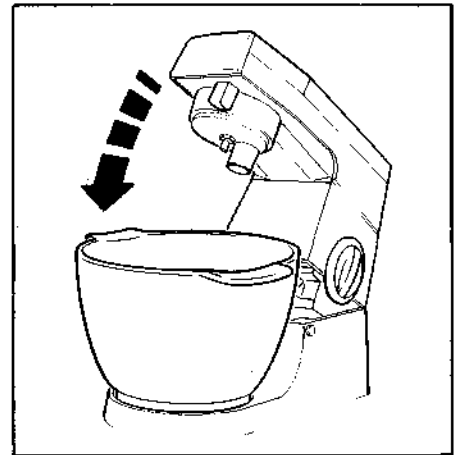
Raise the mixer head by pressing the push button release catch (A), OR by turning the latch in an anti-clockwise direction (B). Lift the head until it locks in the open position. (Use in this position when fitting the bowl, whisk, 'K' beater, dough hook, potato peeler, colander and sieve.)



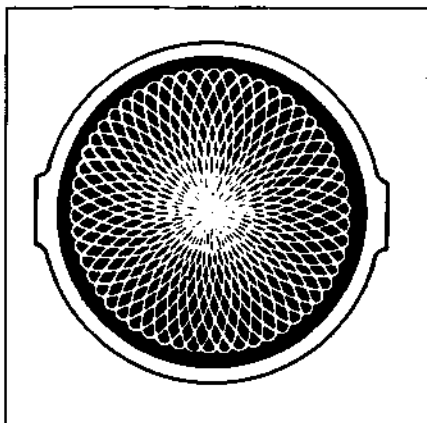
Fit the plastic plate, ribs down, in the recess.



Place the bowl in the recess engaging the lugs in the bayonet slots in the base of the bowl. Press down on the bowl and turn in a clockwise direction to lock. (Reverse the operation to remove.)



Lower the head by pressing the push button release catch (A) OR turn the latch in an anticlockwise direction (B) and push the head down firmly until it locks in the closed position.



## Planetary Action

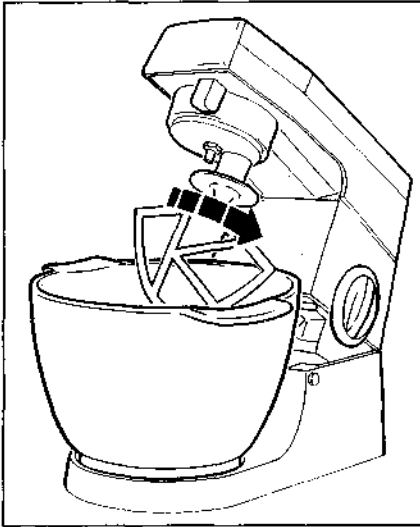
Your Kenwood mixer operates with planetary action which ensures that all parts of the mixture in the bowl are thoroughly mixed.

## Maximum Quantities

To obtain the best results the following recommended quantities should not be exceeded:

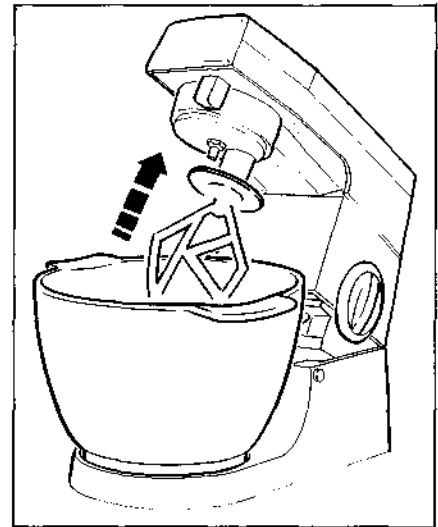
	Models KM201, KM210 & KM220	Models KM230 & KM250
Shortcrust pastry	1 1/2 lb 680g flour	2 lb 910g flour
Yeast dough	3 lb 1.36 kg flour	3 lb 1.36 kg flour
Cake mixture (Fruit Cake)	6 lb 2.72 kg	10 lb 4.55 kg
	total weight of ingredients	total weight of ingredients
Egg whites – minimum	1	1
– maximum	12	16

# Assembling Bowl and Attachments Cont...



To fit attachments to the beater socket, raise the mixer head. Gently slide the attachment into the outlet turning slowly in the direction shown in the diagram, until a stop is reached.

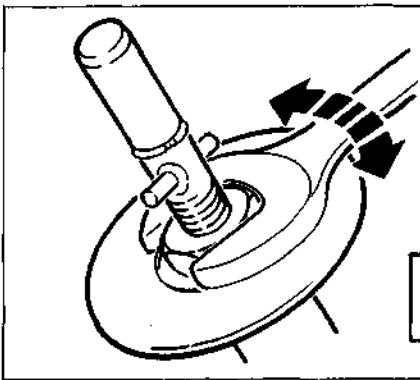
Press firmly upwards until the attachment clicks into position. To remove the attachment turn clockwise until it is free to withdraw.



## Note

The 'K' beater and whisk were correctly set in the factory and should not need further adjustment. If for any reason adjustment becomes necessary proceed as follows:

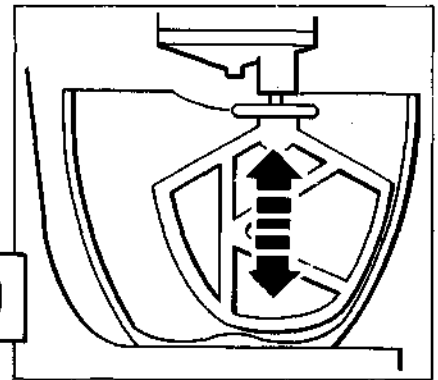
1. Disconnect mixer from mains supply.
2. Raise the head and insert beater/whisk attachment to be adjusted.
3. Hold the attachment and slacken nut with a suitable spanner (C).
4. Lower the head and rotate the attachment up or down the shaft (D). For best results the beater/whisk should be as close to the base of the bowl as possible.
5. Raise the head and holding the attachment tighten the nut.



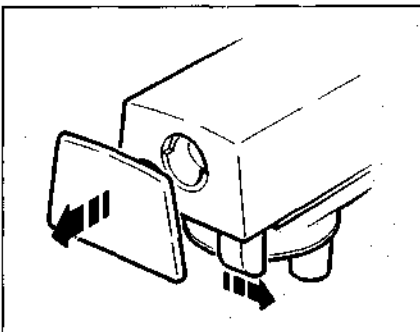
## Hint

If when the machine is run, the 'K' beater knocks the bowl, then adjustment is too low.

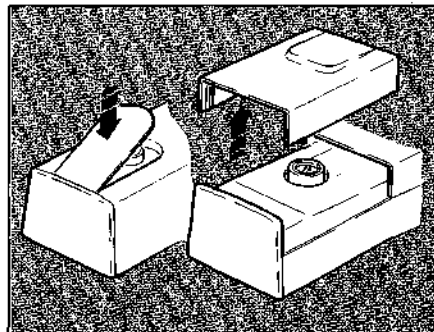
C



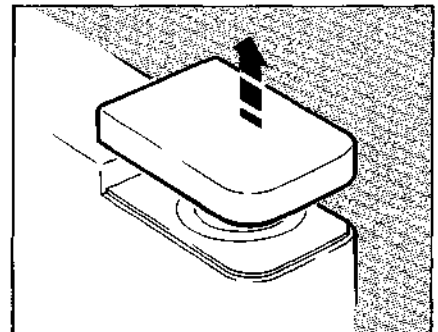
D



To remove the slow speed outlet cover, pull the locking catch to the side and pull off the cover.

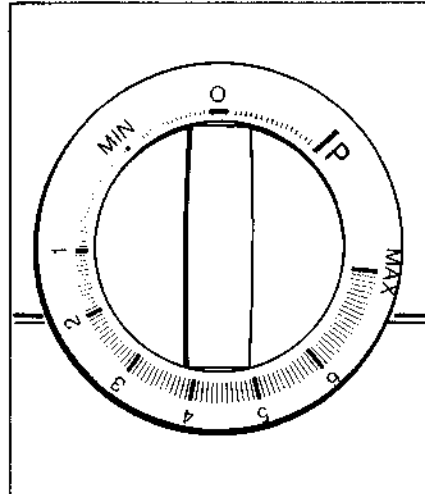
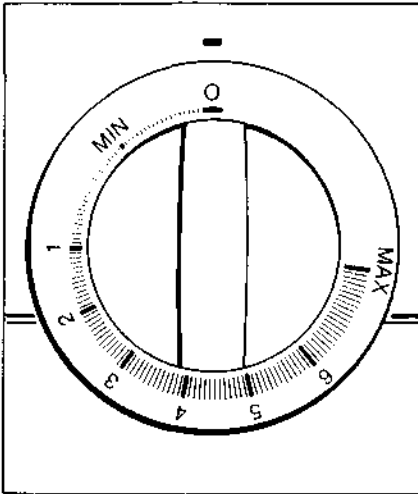


Remove the juice extractor outlet cover by either pressing down and lifting free, or simply by lifting free. If a plastic plug is fitted, unscrew this before fitting the attachment.



Remove the high speed outlet cover by lifting free.

## Mixer Controls

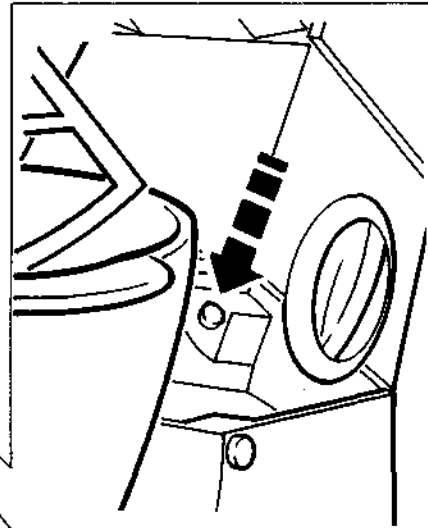
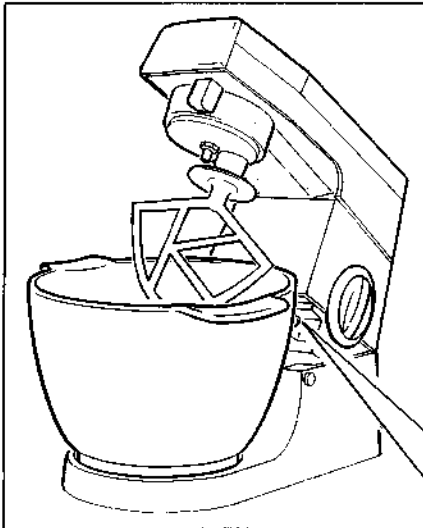


To select a speed simply turn the control to the desired number.

### Note

If your speed control is fitted with 'pulse', turn to this position for a quick burst of power. The pulse will operate for as long as it is held in position.

## Important



### Note

Do not allow the bowl to be exposed to direct heat (ie do not dry over a cooker or in the oven). Do not use the bowl in the microwave.

### Service

In the event of failure contact your local distributor for assistance.

### Overload Protection (WHEN FITTED)

If your mixer is fitted with an overload protection device, it will stop automatically if overloaded. If this happens switch off, raise the mixer head to expose the green button. Allow the mixer to stand for a few minutes then press the button so mixing can continue.

### Care

The bowl, whisk, 'K' beater and dough hook may be washed in sudsy water. Your mixer needs only to be wiped over with a damp cloth. Always switch off and remove plug from power supply. Never use abrasives and never put the machine in water. After initial use a small amount of grease may appear at the outlets 2 and 4 (see page 2) after running in. This may be wiped away and will not effect the performance of your machine.

### Use of attachments

Keep hands clear of rotating cutting blades. Do not use more than one attachment at a time.

# General Information

Use the whisk for eggs, cream, batters, fatless sponges, meringues, cheesecakes, mousses, soufflés etc.  
Use the 'K' beater for cakes, biscuits, pastry, icing, fillings, mashing potatoes, gateaux, éclairs.  
Use the dough hook for yeasted mixtures.

The speed control gives a completely variable range of speeds and these should be selected according to type of ingredients and quantities used. Generally, the following speeds are recommended:

**Whisk** Gradually turn up to maximum speed. If mixture shows signs of splashing keep speed lower.  
**'K' Beater** Cream fat and sugar on low speed, increasing gradually to medium. For very small quantities keep to a lower speed. Beat fat, sugar and eggs on medium to fast speed. Fold in flour, fruit etc on low speed. Do not overmix at this stage.  
Mix biscuits on medium speed.  
Rub fat into flour on low speed.

**Dough Hook** Commence on speed 1, gradually increasing to 2.

# Recipes

## White Bread

3 lb/1350g strong plain flour  
3 level tsp/15 ml salt  
1 oz/25g fresh yeast or  
½ oz/15g or 20 ml dried yeast  
1 tsp/5ml sugar  
1½ pts/750 ml warm water  
1 oz/25g lard

### Dried yeast

Sprinkle the dried yeast into the warm water, add the sugar and allow to stand for approximately 10 minutes or until the mixture is frothy.

### Fresh yeast

Crumble the yeast into the flour and add the sugar.

Ensure that all the liquid is in the bowl add the lard, flour and salt.  
Knead for approximately 45 seconds to 1 minute on speed 1 then increase to 2 until a dough is formed, adding a little more flour if necessary.  
Knead for a further 2 minutes approximately on speed 2 until the dough is smooth and elastic and leaves the sides of the bowl clean.

Place the dough in a greased polythene bag and leave somewhere warm to double in bulk about 1-1½ hours. Return to the bowl and knead again for 2 minutes on speed 1. Fit into 4 x 1 lb (450g) greased tins (which should be half full). Cover and prove until doubled in bulk.

Cook at 450°F/230°C/Gas Mark 8 for 30-35 minutes. When cooked the loaves should sound hollow when rapped on the bottom.

### Hints

- Best results are obtained by using 'strong' flour, but plain flour may be used if it is not available.
- It is not necessary to warm utensils or to rise dough in a warm place, but this speeds up the growth of the yeast.

## Brown Bread

Follow the recipe for white bread using 2 lb/900g wholemeal flour and 1 lb/450g white flour.

### Important

Different batches of flour vary considerably in the quantities of liquid required and the stickiness of the dough can have a marked effect upon the load imposed on the machine. You are strongly advised, therefore, to adhere exactly to the quantity stated and to keep the machine under observation whilst the dough is being mixed. The operation should take no longer than 3½ minutes.

## Pizza Napoletana

### Base

1 oz/25g fresh yeast or 4 tsp/20 ml dried yeast plus 1 tsp/5 ml caster sugar  
½ pt/250 ml warm water  
1 oz/25g lard  
2 tsp/10 ml salt  
1 lb/400g strong plain flour

### Topping

1 lb/400g onions, skinned and chopped oil for frying  
2 lb/800g tomatoes, skinned and sliced  
2-3 tsp/10-15 ml oregano salt and pepper  
12 oz/300g Mozzarella cheese  
4 oz/100g anchovy fillets  
Black olives

Make the bread dough, following the method for white bread. After the first rising, re-knead the dough and roll out to form two 12 in/30 cm circles. Place onto suitable baking trays.

Lightly fry the onions in the oil and then spread over the pizza base to within 1 in/2.5 cm of the edge. Place the sliced tomato over the onion and sprinkle with oregano and seasoning.

Slice the cheese using the thin slice of the High Speed Slicer and Shredder, and spread over the tomato. Decorate with anchovies and olives. Allow to prove for 30 minutes, then bake in a pre-heated oven 425°F/220°C/Gas Mark 7 for approximately 20-25 minutes or until cooked.

## Rich Fruit Cake

8 oz/200g butter  
8 oz/200g moist brown sugar  
1 tbsp/20 ml black treacle  
grated rind of an orange or lemon  
4 eggs  
10 oz/250g plain flour  
¼ tsp/1.2 ml nutmeg  
¼ tsp/1.2 ml cinnamon  
¼ tsp/1.2 ml mixed spice  
¼ tsp/1.2 ml salt  
2 tbsp/40 ml brandy, rum or sherry  
1½ lb/600g mixed dried fruit  
2 oz/50g almonds (chopped)

Place the butter, sugar, treacle and grated rind in the bowl and beat on speed 3-4 increasing to a higher speed as the ingredients combine. Beat until light and fluffy, then scrape down the bowl and beater. Add the eggs, one at a time, beating to a smooth consistency between each addition. Mix in the flour on minimum speed then add the fruit and nuts.

Place in a 8½"/22 cm round cake tin, greased and lined with a double thickness of greaseproof paper. Cook for the first hour at 150°C/300°F/Mk 2 then at 140°C/275°F/Gas Mark 1 for a further 2¼ hours.

When the cake is cold, remove from tin, turn upside down, pierce with a skewer in several places and pour on the brandy, rum or sherry. When this has soaked in, wrap in greaseproof paper or foil and place in an airtight tin. Use as desired.

### Hints

- Use the spatula provided to scrape ingredients away from the sides of the bowl.
- Use the butter at room temperature, or warm the bowl by filling with hot water and stand the 'K' beater in it whilst weighing out the ingredients. Dry thoroughly before using.
- Start the creaming on a low speed while the ingredients combine, then increase to a higher speed but not so high that the mixture is thrown up the sides of the bowl and not mixed properly. A higher speed can be used with larger quantities.
- Use a low speed to incorporate flour and fruit into the mixture.

## Victoria Sandwich

6 oz/150g margarine  
6 oz/150g caster sugar  
3 eggs  
6 oz/150g SR flour  
Jam  
Icing sugar

Cream the margarine and sugar on speed 3-4 until combined and then on a higher speed until light and fluffy. Scrape the mixture from the sides of the bowl and beater, and add the eggs one at a time on maximum speed beating to a smooth consistency between each addition. Add the flour on minimum speed, mixing just long enough to incorporate.

Bake in 2 x 7"/18 cm sandwich tins, greased and lined for 20-30 minutes at 190°C/375°F/Gas Mark 5 until golden and springs back when lightly touched. Turn onto a wire rack and allow to cool. Sandwich together with jam and dust with icing sugar.

### Hints

- Use soft tub margarine straight from the refrigerator for 'all in one' cakes, and block margarine at room temperature for creamed cakes.
- When creaming, if the margarine is firm, warm the bowl by filling with hot water and stand the 'K' beater in it for a few minutes. Empty and dry thoroughly before mixing.
- If the beater is not mixing to the bottom of the bowl, check adjustment of the beater (see page 4).
- Start the creaming on a low speed whilst the ingredients combine then increase to a higher speed, but not so high that the mixture is thrown up the sides of the bowl and not properly mixed. A higher speed can be used with larger quantities.
- It may be necessary to stop the machine and scrape the bowl down occasionally with the spatula provided.

## Short Crust Pastry

1 lb/400g flour sieved  
1 tsp/5 ml salt together  
8 oz/200g fat (a mixture of lard and margarine straight from the refrigerator)  
4 tbsp/80 ml water (approx)

Cut the fat up roughly and add to the flour in the bowl. Mix on speed 1, increasing to speed 4-5 until the mixture resembles breadcrumbs, but switch off before it becomes greasy in appearance.

Add the water and mix on the lowest speed just long enough to incorporate.

Pastry is normally cooked at 200°C/400°F/Gas Mark 6, but this will depend on the filling. Use as desired.

### Hints

- Use the fat straight from the refrigerator.
- Take care not to overmix the ingredients.

## Choux Pastry

2 oz/50 g butter  
¼ pt/125 ml water  
3 oz/75g plain flour  
pinch of salt  
2 eggs

Melt the butter in the water then bring to boiling point. Remove from heat, add sieved flour and salt, then beat for a few minutes over a very gentle heat with a wooden spoon until the paste forms a ball and the sides of the saucepan are clean. Allow this to cool slightly, then place in the mixing bowl. Switch to speed 2 and using the 'K' beater add the eggs a little at a time.

Once the egg has been added, increase to maximum speed and beat for 30-60 seconds.

Use as desired (eg éclairs, profiteroles).

## Strawberry Apricot Gâteau

### Sponge

3 eggs  
3 oz/75g caster sugar  
3 oz/75g plain flour  
**Filling and Decoration**  
¼ pt/125 ml double cream  
sugar to taste  
8 oz/200g strawberries  
8 oz/200g apricots

Halve the apricots and remove the stones. Cook gently in a very little water with sugar to taste until soft. Clean and halve strawberries.

Make the sponge by whisking the eggs and sugar on maximum speed until very pale and thick. Remove the bowl from the machine and carefully fold in the flour using the whisk in one's hand. Transfer the mixture to two 7 in/18 cm greased and lined sandwich tins. Cook for approximately 20 minutes at 350°F/180°C/Gas Mark 4 until the cake springs back when lightly touched. Remove from tins and cool on a wire rack. Use the whisk attachment to whip the cream on a high speed until stiff, add sugar to taste. Roughly chop the apricots and a third of the strawberries and carefully fold into half the cream. Sandwich the two cakes together with this mixture. Spread the remaining cream on top of the cake and decorate the top with the remaining strawberry halves.

### Hint

- Take care when adding the flour to ensure a light and airy result.

## Chilled Lemon Cheesecake

### Biscuit Base

8 oz/200g digestive biscuits  
4oz/100g butter

### Filling

1 tbsp/20 ml gelatine  
¼ pt/125 ml water  
4 eggs, separated  
4-6 oz/100-150g caster sugar (depending upon taste)  
3 large lemons  
10 oz/250g curd cheese or fromage frais, sieved  
Fruit and cream to decorate (optional)

Using the liquidiser attachment, drop pieces of biscuits onto the revolving blades on maximum speed to form biscuit crumbs. This should be carried out in two or three batches. Melt the butter in a saucepan, add the biscuit crumbs, stir well then press lightly into an 8½ in/21 cm spring clip tin. Leave to chill whilst preparing the filling.

Dissolve the gelatine in the water, in a bowl over a saucepan of hot water.

Whisk the egg yolks and sugar on maximum speed using the whisk attachment until the mixture is pale and creamy. Add the curd cheese or fromage frais to the egg mixture and continue whisking until smooth. Reduce to speed 5, add the lemon rind, juice and gelatine mixture and whisk until all ingredients are incorporated. Transfer the mixture to another bowl and chill until the point of setting is reached.

Whisk the egg whites on maximum speed until stiff, and carefully fold into the cheesecake mixture using a metal spoon. Pour the mixture onto the biscuit base and chill until set.

Remove the sides of the springclip tin and decorated with fruit and whipped cream as desired.

## Meringues

4 egg whites  
9 oz/225g icing sugar (sieved)

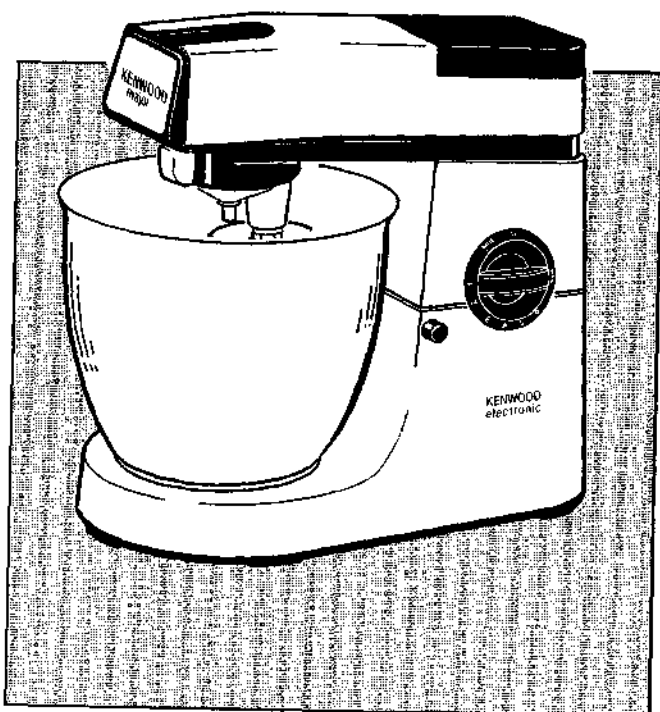
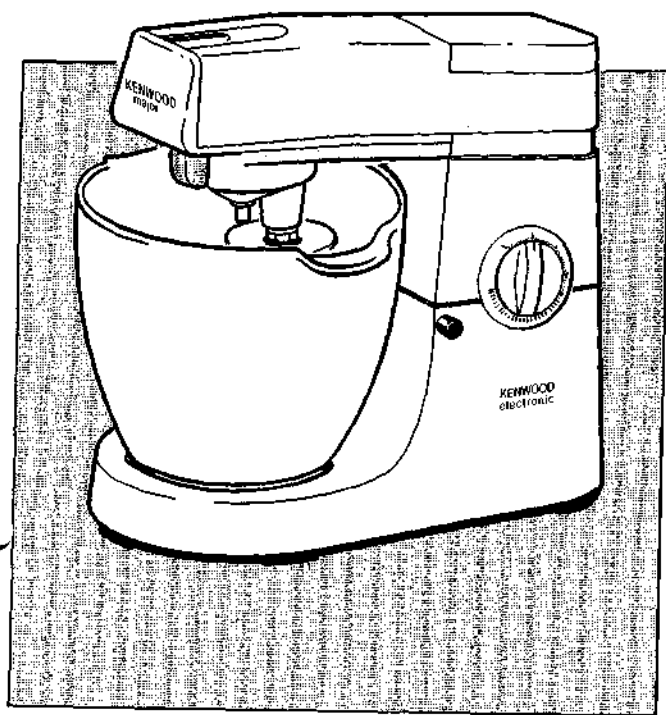
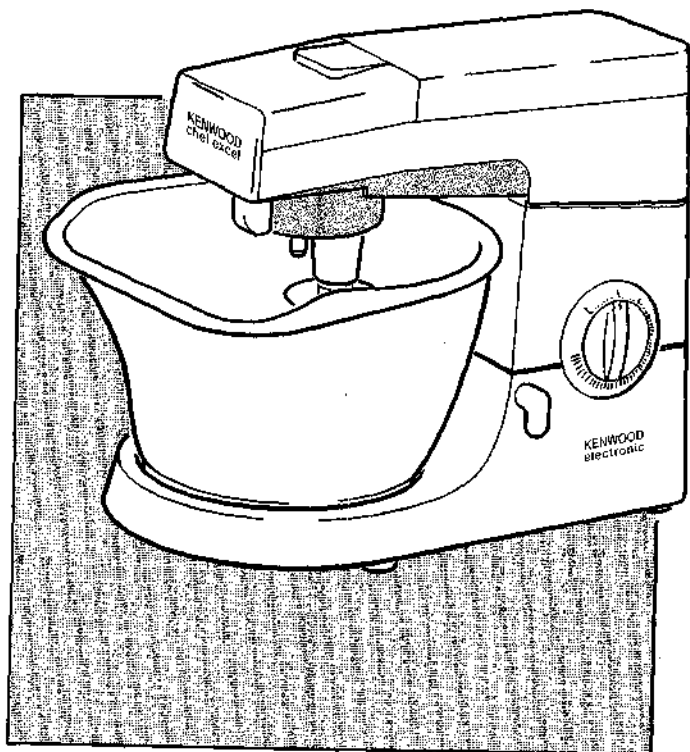
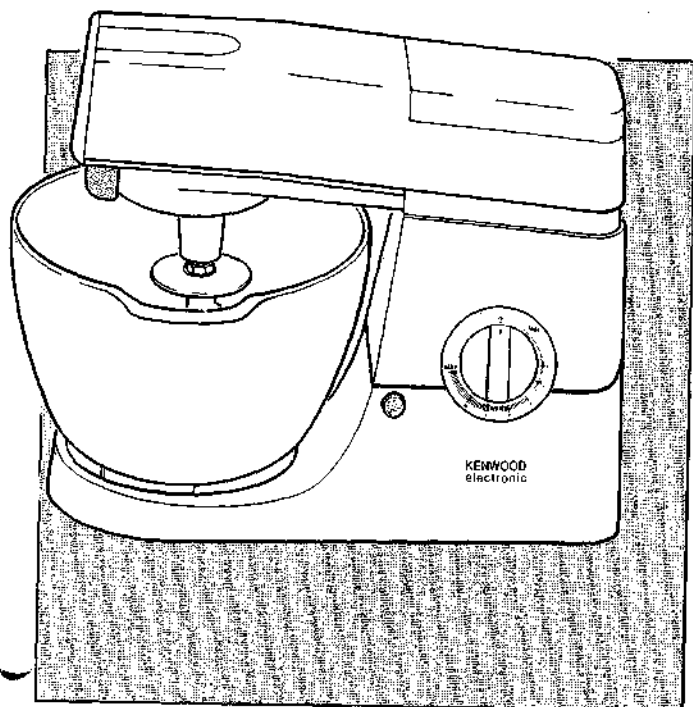
Line baking trays with non-stick baking parchment. Place the egg whites and icing sugar in the bowl and whisk on maximum speed until it stands in peaks (about 10 minutes).

Fit a large piping bag with 1"/2.5 cm Star nozzle and half fill with meringue mixture. Pipe shapes on to the prepared trays. Bake the meringues in a very slow oven 110°C/225°F/Gas Mark ¼ until they are firm and crisp (approximately 4-5 hours)

### Hints

- Meringues should be stored in an airtight tin.
- If the meringues start to brown, prop open the oven door a little.





# KENWOOD

KM200 - KM260

# Gebruiksaanwijzing

Uw nieuwe KENWOOD keukenrobot zal van het koken een eenvoudige en aangename taak maken.

Bewaar het toestel op een handig aanrecht, niet in de kast, zodat het met één draai aan de knop klaar staat om iedere taak groot of klein voor u te verrichten. Een brede gamma hulpstukken staat te uwer beschikking, die u zullen helpen de culinaire kunst beter te beheersen.

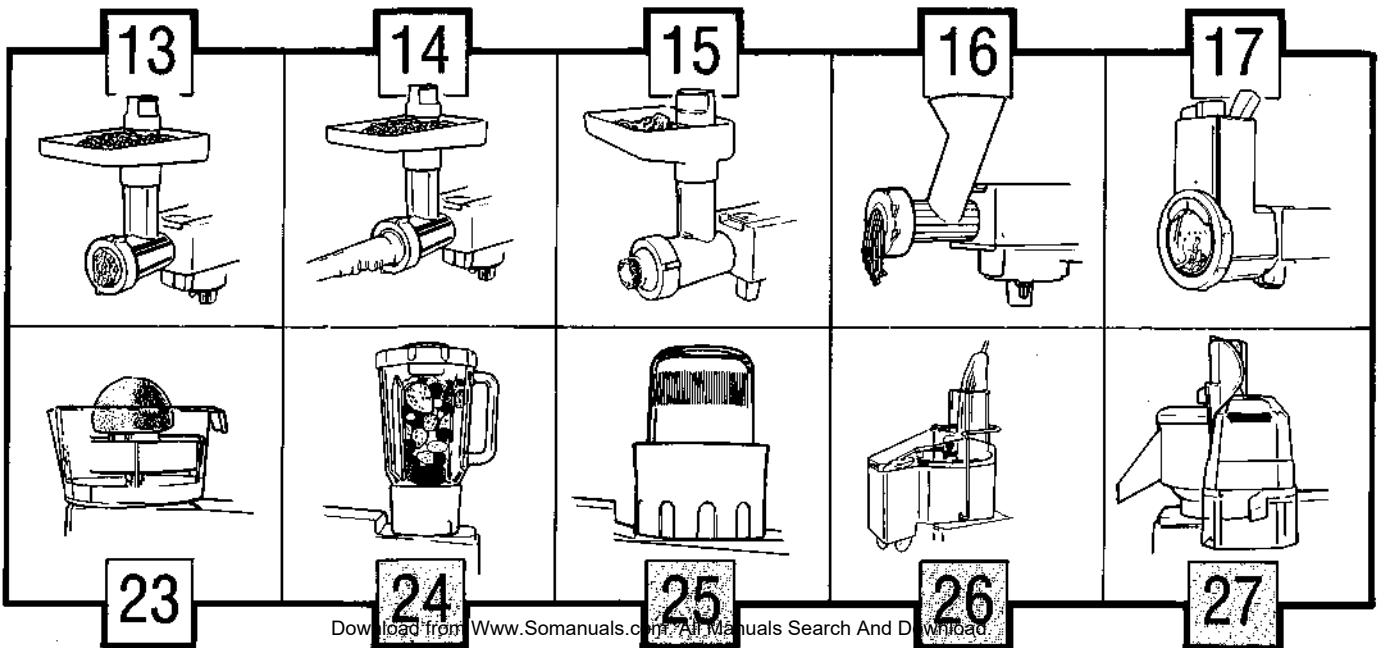
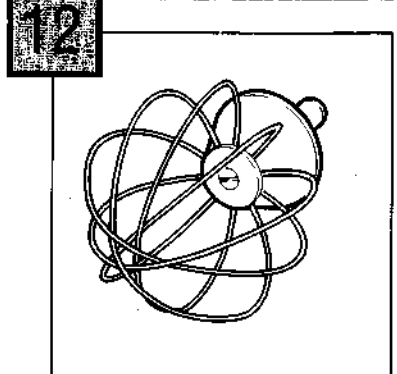
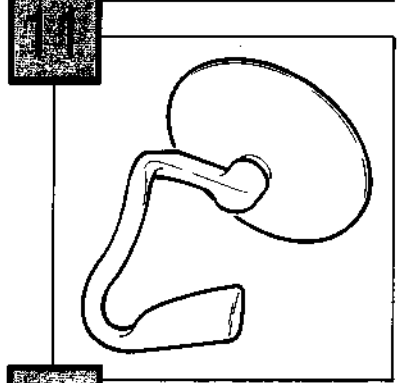
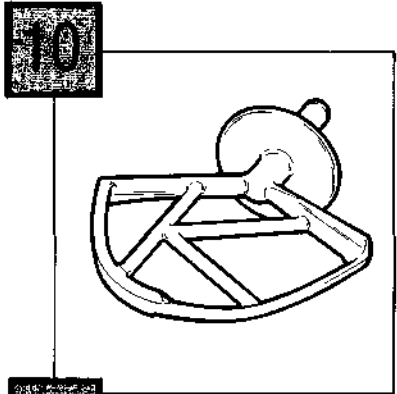
Alvorens het toestel aan te sluiten, nazien of het aantal volts van uw elektrische installatie overeenkomt met het aantal volts aangeduid op het apparaat.

## Onderdelen en hulpstukken

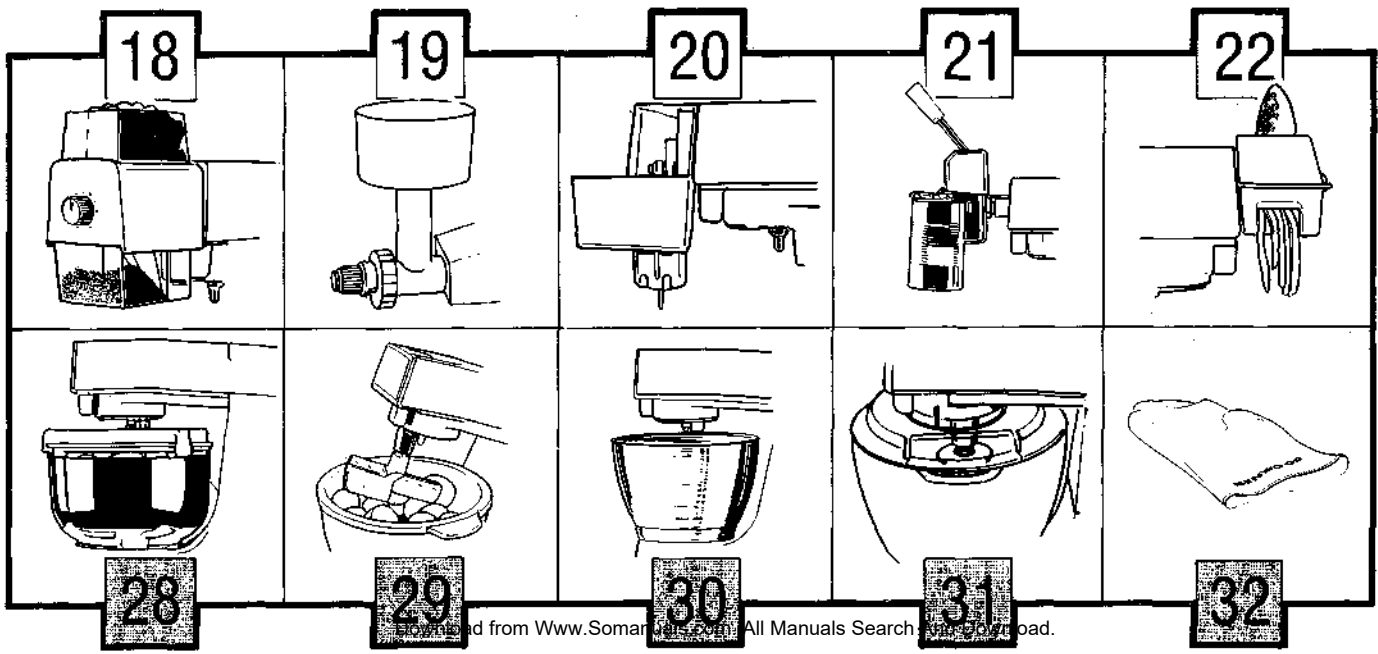
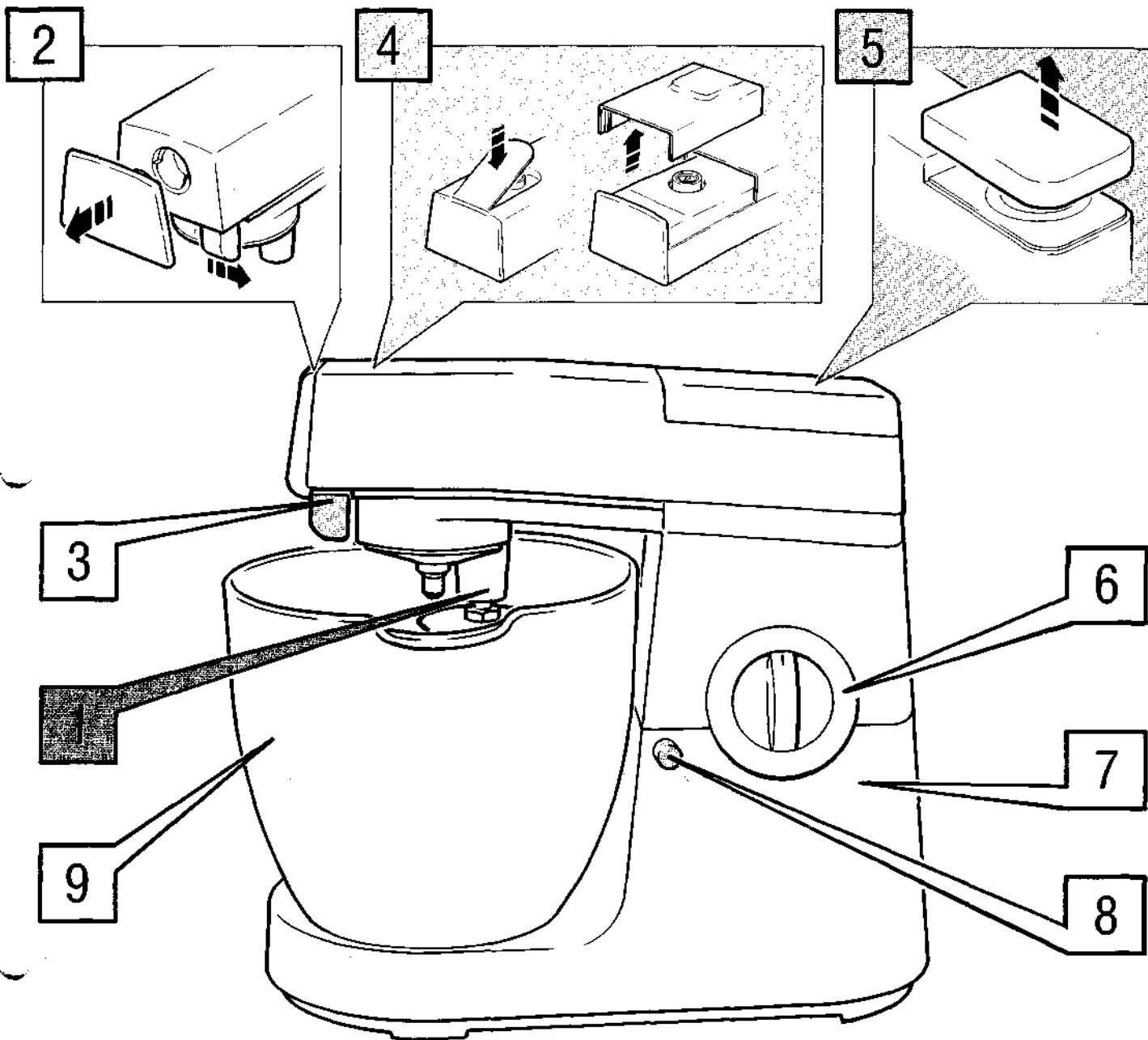
- 1 Planetarische houder voor deegarmen
- 2 Kap van langzaamloop aansluiting
- 3 Vastzetter voor langzaamlopende hulpstukken
- 4 Dop van vruchtenpersaansluiting
- 5 Dekplaat van snelloop aansluiting
- 6 In-uitschakelaar en snelheidsregelaar
- 7 Robot
- 8 Loszetknop
- 9 Mengbeker

- |                       |      |
|-----------------------|------|
| 10 K-klopper          |      |
| 11 Deeghaak           |      |
| 12 Garde              |      |
| 13 Vleesmolen         | A920 |
| 14 Worstenadaptor     | A926 |
| 15                    | A937 |
| 16 Pastamaker         | A936 |
| 17 Snijmachine & rasp | A948 |
| 18 Koffiemolen        | A979 |
| 19 Graanmolen         | A941 |
| 20 Roommaker          | A927 |
| 21 Blikopener         | A978 |
| 22 Snijboonmachine    | A932 |

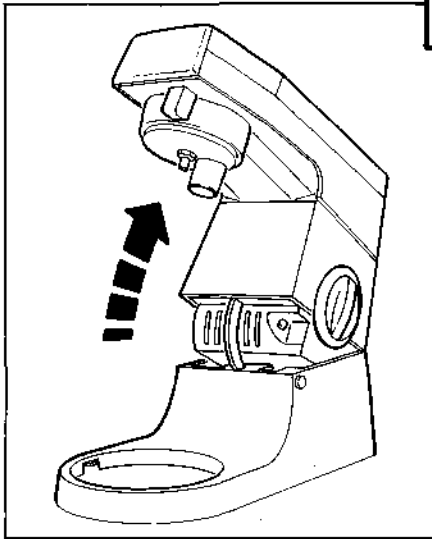
- |  |            |
|--|------------|
| 23 Citruspers                                    | Model A995 |
| 24 Mixerbowl                                     | A989/A990  |
| 25 Minimixer                                     | A938       |
| 26 Ultrasnelle snijmachine & rasp                | A929       |
| 27 Sapcentrifuge                                 | A935       |
| 28 Aardappelschilmachine (Voor de Chef)          | A934       |
| 29 Aardappelschilmachine (Voor de Major)         | A952       |
| 29 Vergiet en zeef (Voor de Chef - Ronde Kom)    | A992       |
| 29 Vergiet en zeef (Voor de Major)               | A930       |
| 30 Inox mengbeker (Voor de Chef)                 | 18749      |
| 30 Inox mengbeker (Voor de Major)                | 18748      |
| 31 Deksel (Voor de Chef en de Major - Ronde Kom) | 31227      |
| 31 Deksel (Voor de Chef 'D' Kom)                 | 30238      |
| 32 Overtrek (Voor de Chef)                       | 29022      |



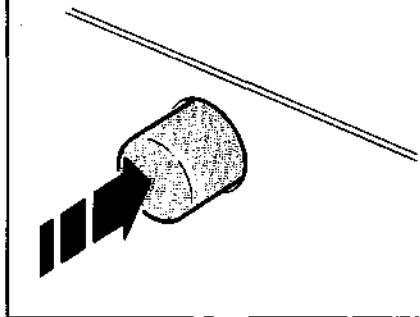
# Mixer en Toebehoren



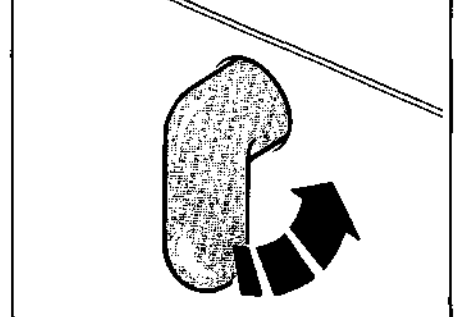
# Gebruik van de robot en aanbrengen van de hulpstukken



**A**

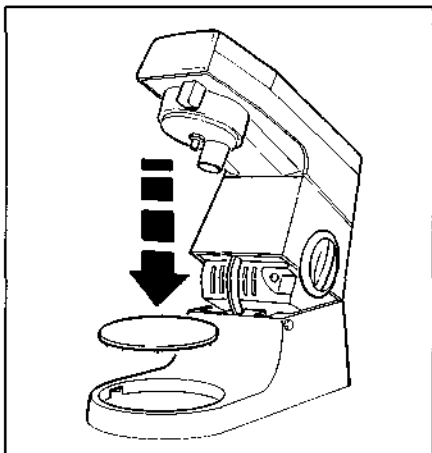


**B**

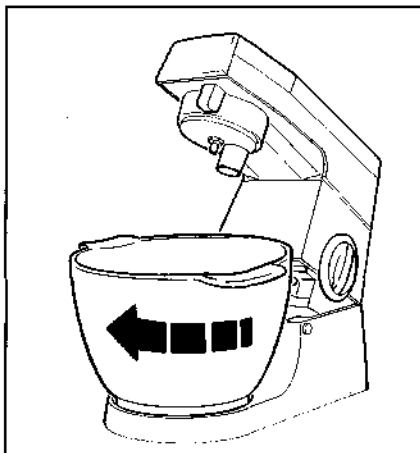


Breng de kop omhoog door op loszetknop te drukken (A), of door het klinkje helemaal naar links te draaien (B), breng de kop omhoog totdat deze zich in open stand vastzet.

De keukenmachine behoort zich in deze stand te bevinden wanneer u de kom of een van de kloppers, de aardappelschilmachine of de zeef op hun plaats aanbrengt.

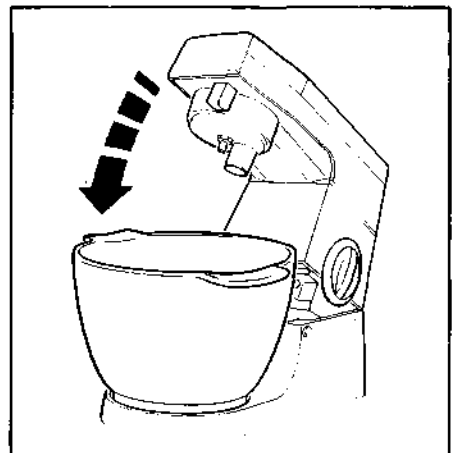


Plaats de rubberen schijf met uitsnijdingen naar onder in de uitdieping.



Plaats de kom in de uitdieping, waarbij de lippen in de bajonnetsleuven in de bodem van de kom gebracht moeten worden. Druk op de handvaten van de kom en draai de kom met de wijzers van de klok mee om het vast te zetten.

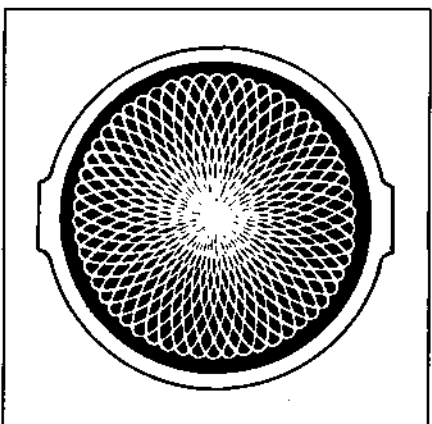
Druk om de kom te verwijderen op de handvaten en draai de kom tegen de wijzers van de klok alvorens het uit de uitdieping te tillen.



Druk om de kop naar omlaag te brengen de loszetknop (A) in of draai het klinkje tegen de wijzers van de klok (B) en druk de kop naar beneden totdat deze zich in gesloten stand vastzet.

## Planetairische Werking

Dankzij de planetairische actie van de KENWOOD keukenmachine worden zowel



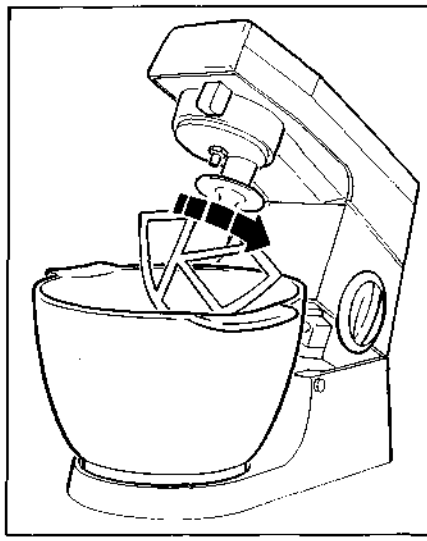
de kleinste als de grootste hoeveelheden perfect vermengd en zijn de resultaten werkelijk optimaal.

## Maximale Hoeveelheden

Om uitstekende resultaten te bekomen mogen deze maximum hoeveelheden niet overschreden worden:

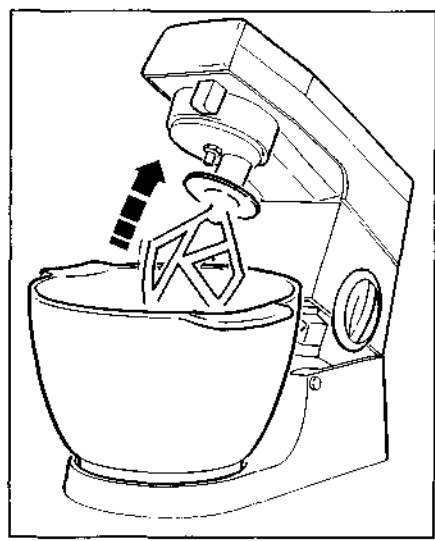
	Model KM201, KM210 en KM220	Model KM230 et KM250
Biscuitdeeg	1 1/2 lb/680g bloem	2 1/4 lb/1 kg bloem
gistdeeg	3 lb/1.36 kg bloem	5 1/2 lb/2.6 kg bloem
cake-deeg	6lb/2.72 kg alle ingrediënten samen	11 lb/5 kg alle ingrediënten samen
Eiwitten - minimum	1	1
- maximum	12	16

# Gebruik van de robot en aanbrengen van de hulpstukken



De hulpstukken aansluiten op de klopper door de mengkop omhoog te bewegen. Het hulpstuk vervolgens voorzichtig naar binnen schuiven en langzaam zo ver mogelijk omdraaien in de aangegeven richting (zie schema)

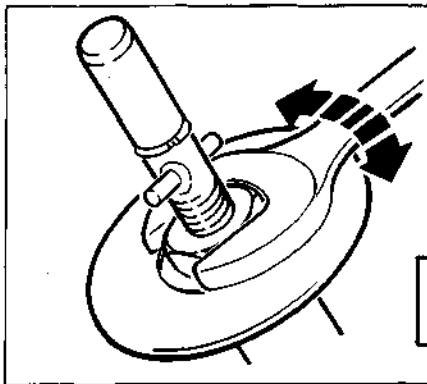
Draai om de klopper of garde te verwijderen, deze naar links totdat u het vrijelijk uit de houder kunt trekken.



## Opmerking

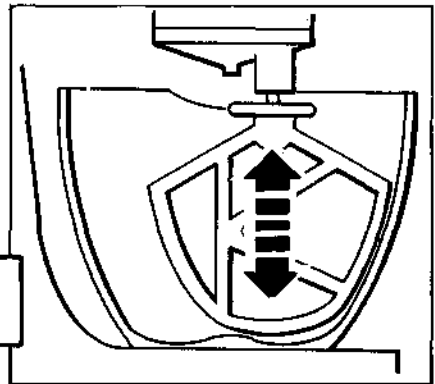
De K-klopper en garde werden op de fabriek juist afgesteld. Indien er toch een aanpassing nodig blijkt als volgt te werk gaan:

1. Nazien dat de keukenrobot niet meer aangesloten is.
2. De kop naar omhoog brengen en de K-klopper of eiwitklopper die moeten aangepast worden aanbrengen.
3. Hou het hulpstuk vast en draai de moer los met een aangepaste sleutel.
4. Breng de kop naar beneden en draai het hulpstuk naar boven of naar beneden. De beste resultaten bekomt men wanneer de K-klopper/garde zo weinig mogelijk van de bodem van de mengbeker verwijderd is.
5. Breng de kop terug omhoog en terwijl u het stuk vasthoudt draait u de moer weer vast

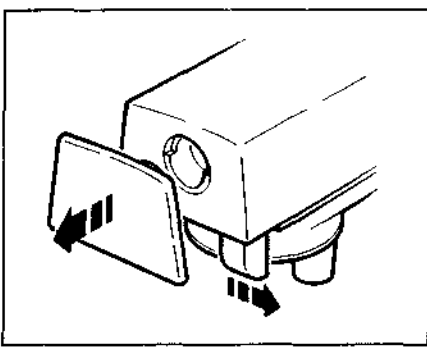


C

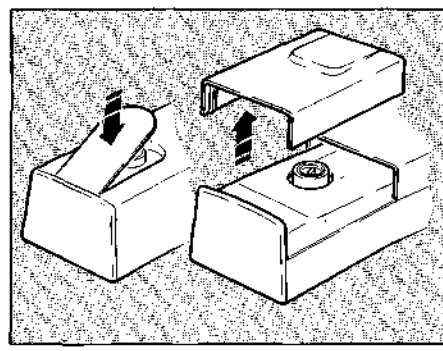
**Opmerking**  
Als de machine in werking is en de klopper slaagt tegen de randen van de mengkom, werd de K-klopper te laag aangebracht.



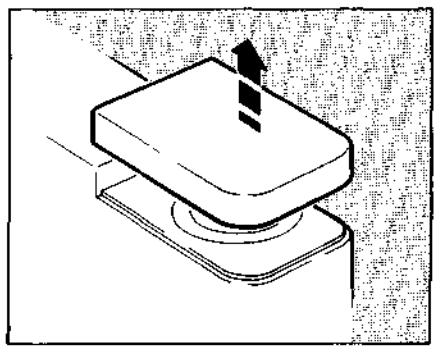
D



Om de kap van de langzaamloopaansluiting te verwijderen, de vastzetknop zijwaarts trekken.

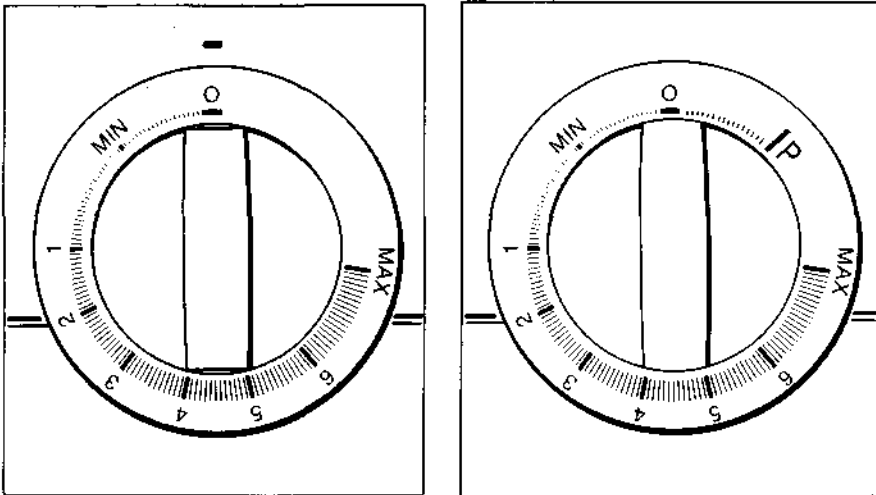


De dop van de uitang voor de citruspers verwijderen door ofwel eerst in te drukken en dan op te heffen of door enkel op te heffen.



De dekplaat van de snelloopaansluiting verwijderen door het op te heffen.

## Snelheidsregelaar

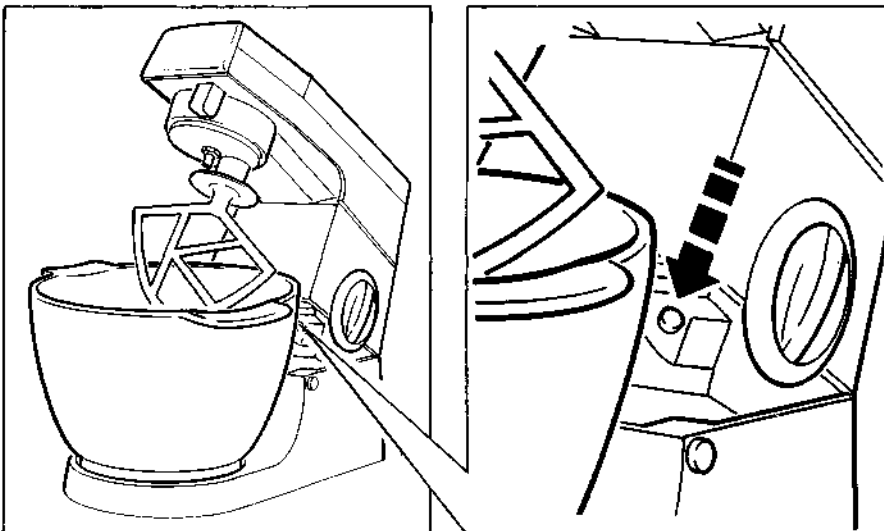


Om een snelheid te selecteren de snelheidsregelaar op de gewenste stand brengen.

### Opmerking

Indien uw snelheidsregelaar tevens over een 'Pulse' stand beschikt, kunt u deze positie gebruiken voor een snelle en korte werking, zolang u de snelheidsregelaar op 'P' houdt zal het toestel blijven draaien.

## Belangrijk



### Opmerking

De mengbeker nooit in contact brengen met rechtstreekse warmte (nooit laten drogen boven een fornuis of in een oven). Gebruik de mengbeker niet in een microgolf oven.

### Gebruik van accessoires

Voorkom contact met bewegende onderdelen. Gebruik niet meer dan één accessoire per handeling.

### Beveiliging Tegen Overbelasting (INDIEN AANWEZIG)

Indien uw mixer voorzien is van zo'n beveiliging, zal het apparaat bij overbelasting automatisch stoppen. Mocht dit gebeuren, schakel de mixer dan uit en zet de kop omhoog, zodat de groene knop vrijkomt. Laat het apparaat zo enkele minuten staan en druk vervolgens op de knop. Hierna kunt u weer doorgaan met mixen.

### Onderhoud

De mengbeker, eiwitklopper, K-klopper en deeghaak kunnen in een warme sop afgewassen worden. De keukenmachine zelf hoeft u maar met een vochtige doek proper te maken en met een zachte doek op te drogen. Na gebruik uw machine nooit aangesloten laten. Gebruik nooit bijtende producten en het machine niet onder water dompelen.

In het begin kan er op de langzaamloopaansluiting en op de vruchtenpersaansluiting een weinig vet te voorschijn komen. Dit mag verwijderd worden en zal de werking van uw keukenmachine niet beïnvloeden.

# Algemene informatie

Gebruik de garde voor het kloppen van eieren, room, pannenkoekdeeg, lichte koekdeeg, kaastaarten, meringues, mousse, soufflés, ...

Gebruik de K-klopper voor cakes, koekjes, taartdeeg, glazuur, aardappelpurée, soesendeeg, ...

Gebruik de deeghaak voor mengsels met gist.

De snelheidsregelaar biedt u een brede keuze snelheidsmogelijkheden welke aangepast dienen te worden aan het soort ingrediënten en de gebruikte hoeveelheden. Over 't algemeen worden volgende snelheden aangeraden:

**Voor de garde:** Langzaam tot op de maximale snelheid regelen. Indien het mengsel zou kunnen spatten de snelheid laag houden. Klop boter en suiker op lage tot gemiddelde snelheid. Voor heel kleine hoeveelheden de snelheid laag houden. Klop boter, suiker en eieren op gemiddelde tot hoge snelheid. Bloem en fruit mengen op lage snelheid, koekjesdeeg op middelmatige snelheid, boter en bloem op lage snelheid.

**Voor de deeghaak:** Begin op snelheid 1 om daarna op 2 over te gaan.

# Recepten

## Wit Brood

- 3 lb/1350g bloem
- 3 koffielepels zout
- 1 oz/25g verse bakkergist of 15g, gedroogde gist
- 1 koffielepel suiker
- 1 tsp/750ml warm water
- 1 oz/25g reuzel

### Met gedroogde gist:

Los de suiker op in een kopje warm water (van de totale hoeveelheid afgenomen). Sprenkel de gedroogde gist erboven op en laat het geheel staan totdat het schuimt, +/- 10 min.

### Met verse bakkergist:

Meng de gist met de bloem en voeg de suiker bij.

Giet het water in de mengbeker, voeg daarbij de bloem, de reuzel en het zout. Ongeveer 45 sec kneden op snelheid 1, verhoog dan tot 2 totdat alle ingrediënten een geheel vormen en indien nodig wat bloem toevoegen.

Nog 2 min kneden totdat het deeg elastisch is en van de zijkanten van de mengbeker loskomt. Het deeg op een tamelijke warme plaats 1 - 1/2 uur laten rijzen. Opnieuw kneden gedurende 2 min, op snelheid 1. Deel het deeg over 4 ingesmeerde bakblikken (van +/- 450g), welke halfvol dienen te zijn. Afdekken en het deeg opnieuw laten rijzen totdat de massa gedubbeld heeft, 30-35 min in de oven (230°) laten bakken. De broden zullen klaar zijn als ze hol klinken wanneer u op hun bodem klopt.

### Tips

- Men verkrijgt de beste resultaten door glutenvrij meel te gebruiken, maar wanneer dit niet te verkrijgen is kan men ook gewoon tarwemeel gebruiken.
- Het is niet volstrekt noodzakelijk het gereedschap vóór te verwarmen of het rijzen op een warme plaats te laten gebeuren, maar dit zal de groei van de gist wel versnellen.

## Bruin Brood

Volg het recept van wit brood maar gebruik 900g volkorenbloem en 450g gewone bloem.

### Belangrijk:

De aard van de bloem kan wat de benodigde hoeveelheid vloeistof betreft aanzienlijk variëren en de mate van de kleverigheid van het deeg kan een merkbare invloed hebben op de belasting van de machine. Het verdient dus aanbeveling om zich precies aan de opgegeven hoeveelheden te houden en op de machine toe te zien terwijl het deeg vermengd wordt; dit proces behoort niet meer dan 3 1/2 min, te duren.

## Pizza Napolitana

### Deeg:

- 25g verse bakkergist of 4 koffielepels gedroogde gist
- 250ml warm water
- 25g boter of margarine
- 2 koffielepels zout
- 400g bloem

### Vulling:

- 400g ajuinen in stukjes gesneden
- olie voor het bruinen
- 800g, tomaten, gepeld en in schijfjes gesneden
- 2 à 3 koffielepels origano
- zout en peper
- 300g mozzarella kaas
- 100g anjovisfilets
- zwarte olijven

Bereid het deeg op dezelfde wijze als brooddeeg. Na dat het reeds éénmaal gerust en gerezen heeft het deeg opnieuw kneden en uitrollen in 2 cirkels van 30cm en breng het deeg in hiervoor voorziene taartvormen. De ajuinen lichtjes laten bruineren in de olie en vervolgens over de pizza verspreiden tot +/- 2,5cm van de rand. Plaats hierop de schijfjes tomaat en bestrooi met origano, peper en zout. Maak gebruik van de ultrasnelle snijmachine en rasp om uw kaas te rasp en verspreid over de tomaten, versieren met anjovis en olijven. Laat een dertigtal min, rusten en bak vervolgens in een voorverwarmde oven (220°C) gedurende 20-25 minuten.

## Vruchtencake

- 200g boter of margarine
- 200g bruine suiker
- 20ml zwarte melasse
- gerasppte sinaasappel of citroenschil
- 250g bloem
- een snufje muskaatnoot, kaneelpoeder, gemengde kruiden, zout
- 40ml brandy, rhum of sherry
- 600g mengeling van gedroogde vruchten
- 50g geschaafde amandelen

Breng boter, suiker, melasse en de geraspte schillen in de mengbeker. Op stand 3-4 laten doorkloppen, schakel over op hogere snelheid wanneer de ingrediënten een geheel vormen. Blijven kloppen totdat u een luchtig mengsel bekomt, daarna voegt u de eieren één per één toe. Zet vervolgens op de laagste snelheid en voeg voorzichtig de bloem erbij, daarna de gedroogde vruchten en de kruiden. Het mengsel in een ronde springvorm brengen (22cm), op voorhand ingesmeerd en ingelegd met boterhampapier. Eerst 1 uur bakken in een oven aan 150°C vervolgens 2 1/2 uur aan 140°C. Als de cake afgekoeld is uit de bakvorm nemen, omdraaien en op verschillende plaatsen met een mes doorprikken en begieten met de brandy rhum of sherry. Wanneer het vloeistof werd opgenomen de cake in boterhampapier inpakken en bewaren in een luchtdicht metalen doos. Verbruiken wanneer u het wenst.

### TIPS

- Gebruik de meegeleverde spatel om het deeg van de zijkanten van de mengbeker te schrabben.
- Gebruik boter op kamertemperatuur of verwarm de mengbeker door het met warm water te vullen en breng ook de K-klopper erin terwijl u de ingrediënten weegt. Goed afdrogen alvorens het te gebruiken.
- Het mengen starten op een lage snelheid totdat de ingrediënten een geheel vormen, vervolgens kunt u overschakelen naar een hogere snelheid maar niet zo hoog dat het deeg de zijkanten van de mengbeker zou bedekken. Een hoge snelheid wordt aangeraden voor grote hoeveelheden.

## Victoria Sandwich

150g boter of margarine  
150g bloedsuiker  
3 eieren  
150g bloem  
confituur  
suiker glazuur

Meng boter en suiker op snelheid 3-4 totdat het een homogeen mengsel vormt en schakel dan over op een hogere snelheid totdat u een luchtig mengsel bekomt. Schrab het mengsel van de zijanten van de mengbeker en voeg er vervolgens een voor een de eieren toe op maximum snelheid. Vervolgens de bloem bijvoegen en goed mengen op minimum snelheid totdat de bloem er volledig in vermengd is. Bakken in twee bakblikken van elk 18cm op voorhand ingesmeerd voor 20 á 30 min aan 190°C totdat ze goudkleurig zijn en lichtjes terugspringen als u erop drukt. Omdraaien en laten afkoelen alvorens u het met confituur naar smaak insmeert en suikerglazuur op brengt.

### Tips

- Indien de boter uit de koelkast genomen wordt dient u best de mengbeker eerst met warm water te vullen en de K-klopper erin te dompelen. Goed afdrogen voor dat u het apparaat in werking brengt.
- Indien de K-klopper niet tot bij de bodem van de mengbeker komt, dient u deze aan te passen. (zie hiervoor p4).
- Start het proces op lage snelheid totdat de ingrediënten goed vermengd zijn en schakel dan over op een hogere snelheid er op lettend dat het mengsel niet tegen de zijanten van de mengbeker zou worden gedrukt. Een hoge snelheid wordt aangeraden bij grote hoeveelheden.

## Biscuitdeeg

400g bloem  
1 koffielepel zout  
200g boter of margarine  
+/- 80ml water

Meng de boter met de bloem op snelheid 1, schakel over op 4-5 totdat het mengsel op broodkrumels lijkt en schakel het apparaat uit.

Voeg het water toe en mengen op de laagste snelheid totdat u een homogeen mengsel bekomt. Het deeg wordt normaal gezien gebakken aan 200°C, maar dit zal van de vulling afhangen.

### Tips

- Gebruik boter of margarine dat rechtstreeks uit de koelkast komt.
- Let op dat u de ingrediënten niet overmix.



## Soesendeeg

50g boter  
125ml water  
75g bloem  
een snuifje zout  
2 eieren

Laat de boter in het water smelten en breng aan de kook. Haal van het vuur en giet er in één keer al de bloem en het zout bij. Terug op een zacht vuurtje zetten en roeren met een houten lepel totdat het mengsel een geheel vormt en van de zijanten van de kookpot loskomt. Laat even afkoelen en breng alles in de mengbeker. Op snelheid 2 en gebruikmakend van de K-klopper voegt u er één voor één de eieren toe. Eenmaal dat de eieren volledig opgenomen werden kunt u de snelheid verhogen tot het maximum gedurende 30 á 60 sec. Maak er gebruik van zoals u wenst : soesjes, éclairs, ...

## Aardbei en Abrikozen

### Gebak

**Koek**  
3 eieren  
75g bloedsuiker  
75g bloem  
**Vulling en decoratie**  
125 ml verse room  
suiker  
200g aardbeien  
200g abrikozen

Snij de abrikozen in twee en haal er de steen uit. Laat ze op een zacht vuurtje met wat suiker en water zacht worden. De aardbeien onder water spoelen en in twee snijden.

Voor de koek mengt u eerst de suiker en de eieren op maximum snelheid totdat u een dik, schuimachtig en wit mengsel bekomt. Verwijder de mengbeker en voeg voorzichtig de bloem toe met behulp van een handklopper. Breng dit mengsel in twee reeds ingesmeerde bakblikken van +/- 18cm. In de oven bakken op 180°C gedurende 20 min. De cake is klaar als het terugspringt als u er zachtjes op drukt. Haal uit de bakblikken en op een rooster laten afkoelen. De room op hoge snelheid opkloppen en suiker toevoegen. De in stukjes gesneden abrikozen en 1/3 van uw aardbeien voorzichtig in de helft van uw room mengen. De twee cakes insmeren met dit mengsel en boven op elkaar brengen. De cake insmeren met de resterende room en versieren met de aardbeienhalffjes.

### Tips

- Wees zeer voorzichtig bij het toevoegen van de bloem om een luchtig resultaat te bekomen.

## Citroen Kaastaart

**Koekjes Basis**  
200g digestive koekjes  
100g boter of margarine

### Vulling

20 ml gelatine  
125 ml water  
4 eieren  
100-150g bloedsuiker (naar gelang uw smaak)  
3 grote citroenen  
250g kwark  
fruit en verse room om te versieren

Gebruik het mixer hulpstuk, breng daarin de koekjes reeds in stukjes gebroken en maak er kruimels van op maximum snelheid. Laat de boter op een zacht vuurtje smelten en voeg er dan de koekjeskrumels bij, goed mengen en in een 21cm springvorm brengen, goed drukken. Laten rusten in de ijskast terwijl u de vulling voorbereidt. Los de gelatine op in water, en op een heel zacht vuurtje laten smelten. Klop de eierdooiers en de suiker op maximum snelheid totdat u een romig mengsel bekomt, voeg er vervolgens de kwark bij en verlaag de snelheid tot 5, voeg de geraspte citroenschil, de citroensap en de gelatine erbij en blijven doorkloppen totdat alle ingrediënten goed vermengd zijn. Giet het mengsel in een schotel en laat rusten in de koelkast totdat het vast geworden is. Klop de eiwitten stijf op maximum snelheid en ze dan voorzichtig in het kaasmengsel mengen. Giet alles op het koekjesmengsel en laat in de koelkast opnieuw stevig worden. Haal uit de springvorm en versier met fruit en opgeklopte room naar believe.

## Meringues

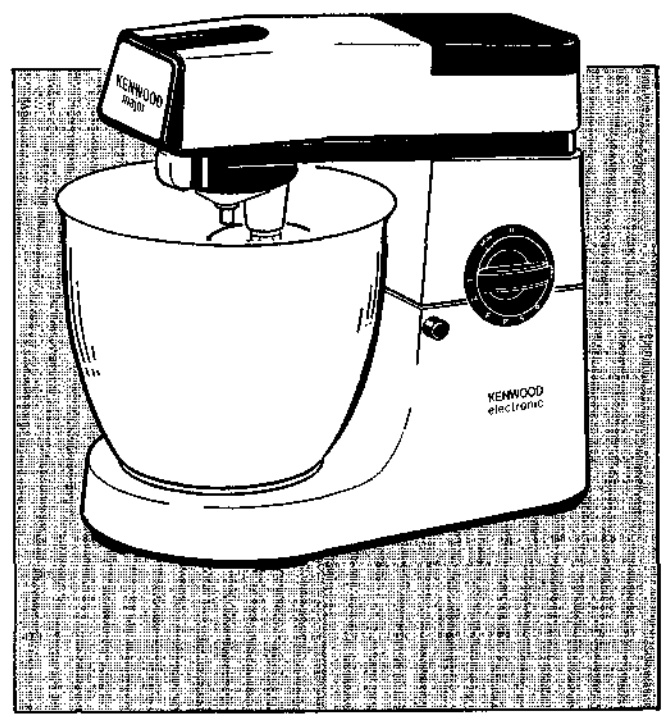
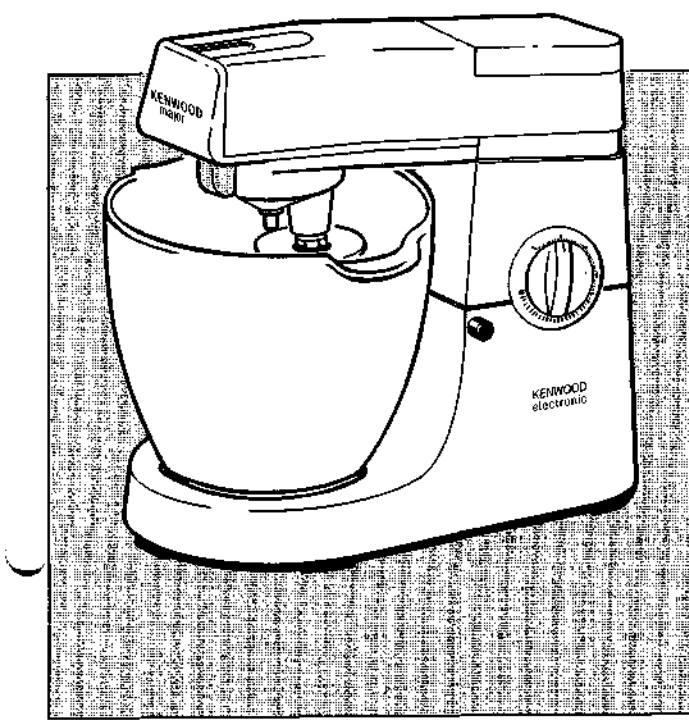
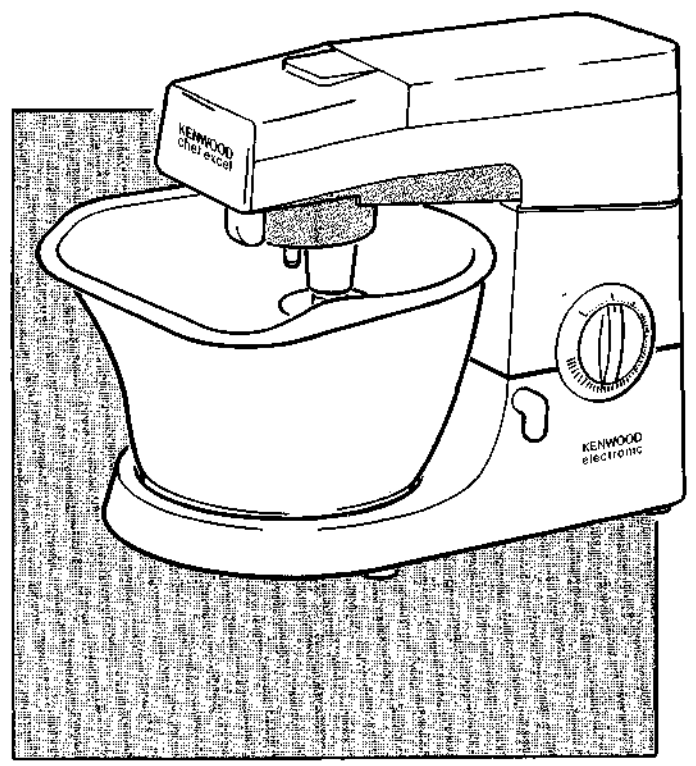
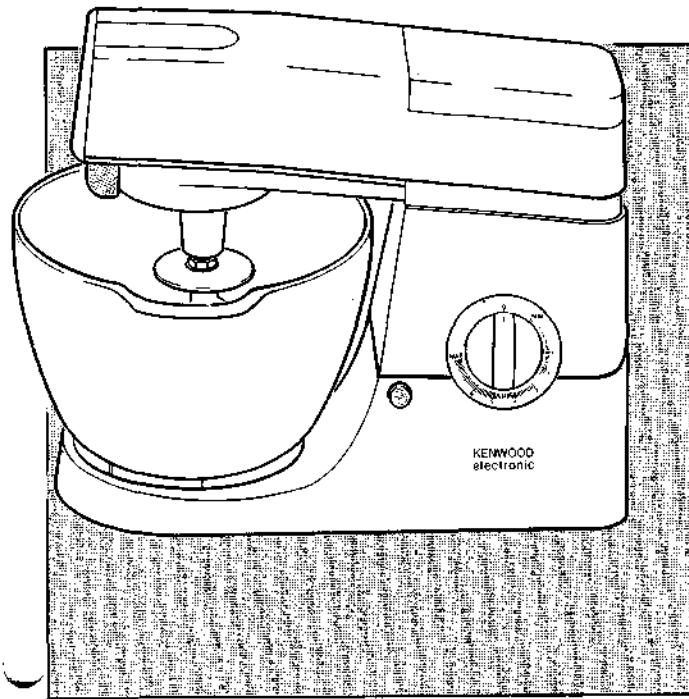
4 eiwitten  
225g bloedsuiker

Breng de eiwitten en de suiker in de mengbeker en op maximum snelheid opkloppen totdat de eiwitten kopjes vormen (+/- 10 min). Vul een versierspuit met het mengsel en spuit kleine vormpjes op een ingesmeerde bakplaat. De meringues bakken in een heel zachte oven (110°C) totdat ze hard en krokant zijn (+/- 4 á 5 uren).

### Tips

- Meringues kunnen bewaard worden in een luchtdichte metalen doos.
- Indien de meringues in de oven te gekleurd worden, de ovendeur op een kiertje zetten.





# KENWOOD

KM200 - KM260

# Bienvenue dans l'univers Kenwood

Votre nouveau robot Kenwood fera des préparations culinaires un vrai plaisir. Pour tirer parti au maximum de votre robot, laissez-le en permanence sur le plan de travail.

Une vaste gamme d'accessoires vous est offerte pour compléter votre appareil.  
(nota : certains accessoires sont réservés à des marchés étrangers)

## Alimentation Electrique

Le Kenwood Chef est prévu pour fonctionner en 220V. Avant de brancher l'appareil, assurez-vous que le voltage de votre compteur électrique est bien le même que celui inscrit sur la plaque fixée sous le corps de votre robot Kenwood.

**IMPORTANT** Les fils du cordon électrique sont de couleurs, conformément au code suivant:

BLEU  
MARRON

NEUTRE  
PHASE

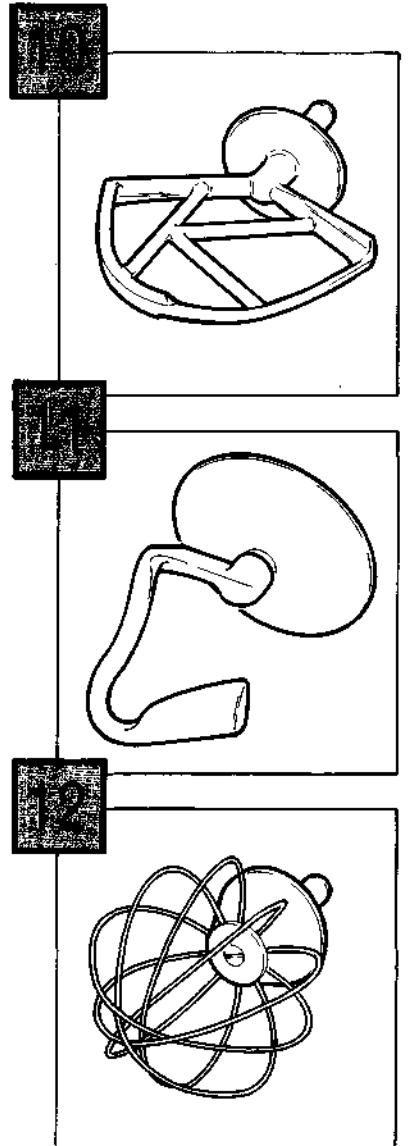
La couleur des fils du cordon électrique de votre appareil peut différer des repères couleurs identifiant les broches de votre prise ; si c'est le cas, procédez comme suit : Le fil de couleur bleue sera raccordé à la broche portant la lettre 'N' ou celle colorée en noir. Le fil de couleur marron sera raccordé à la broche portant la lettre 'L' ou celle colorée en rouge.

Dans le cas d'une prise à 3 broches, aucun fil ne doit être raccordé à la broche de terre.

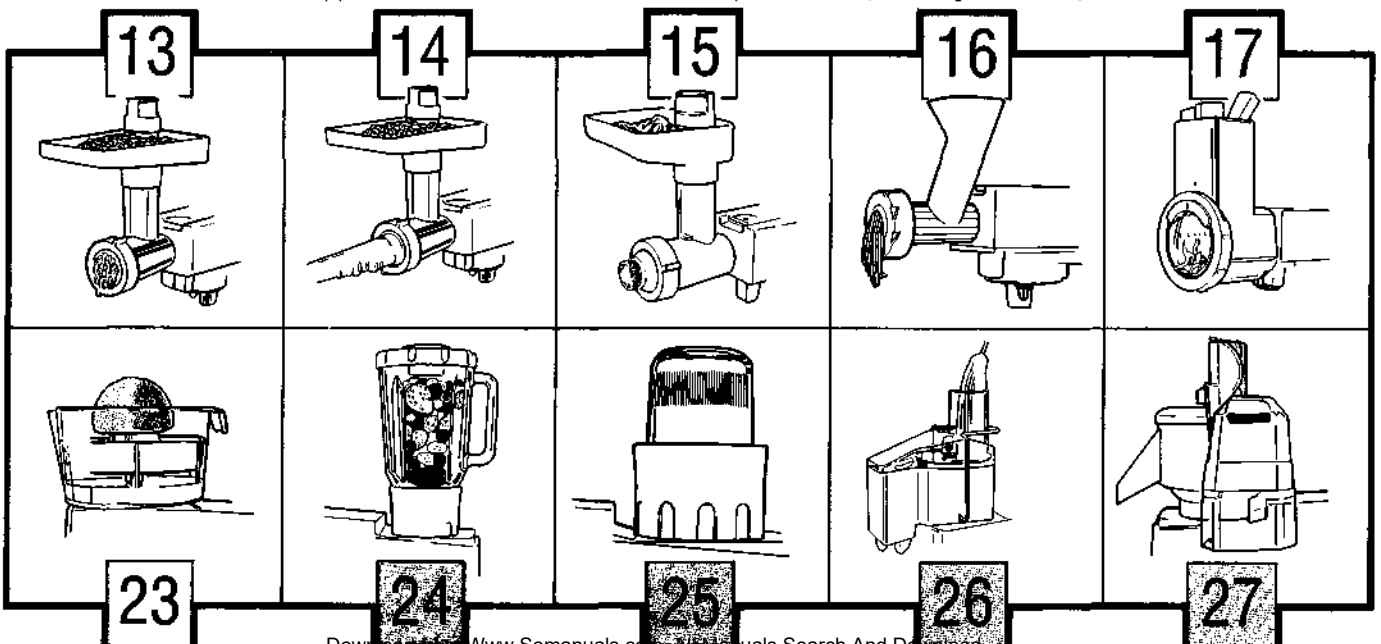
## Les Differentes Parties de votre Robot Kenwood

- 1 Moyeu planétaire
  - 2 Orifice de branchement des accessoires à rotation lente
  - 3 Cliquet de blocage des accessoires à rotation lente
  - 4 Orifice de branchement du presse-fruits
  - 5 Orifice de branchement des accessoires à rotation rapide
  - 6 Bouton de mise en marche et régulateur de vitesse
  - 7 Corps de l'appareil
  - 8 Bouton de déblocage
  - 9 Bol
- |                             |        |
|-----------------------------|--------|
| Accessoires                 | Modèle |
| 10 K Batteur                |        |
| 11 Crochet                  |        |
| 12 Fouet                    |        |
| 13 Hachoir                  | A920   |
| 14 Remplisseur de saucisses | A926   |
| 15 Appareil à kebbe         | A937   |
| 16 Appareil à pâtes         | A936   |
| 17 Eminceur et râpe         | A948   |
| 18 Moulin à café            | A979   |
| 19 Moulin à céréales        | A941   |
| 20 Appareil à crème         | A927   |

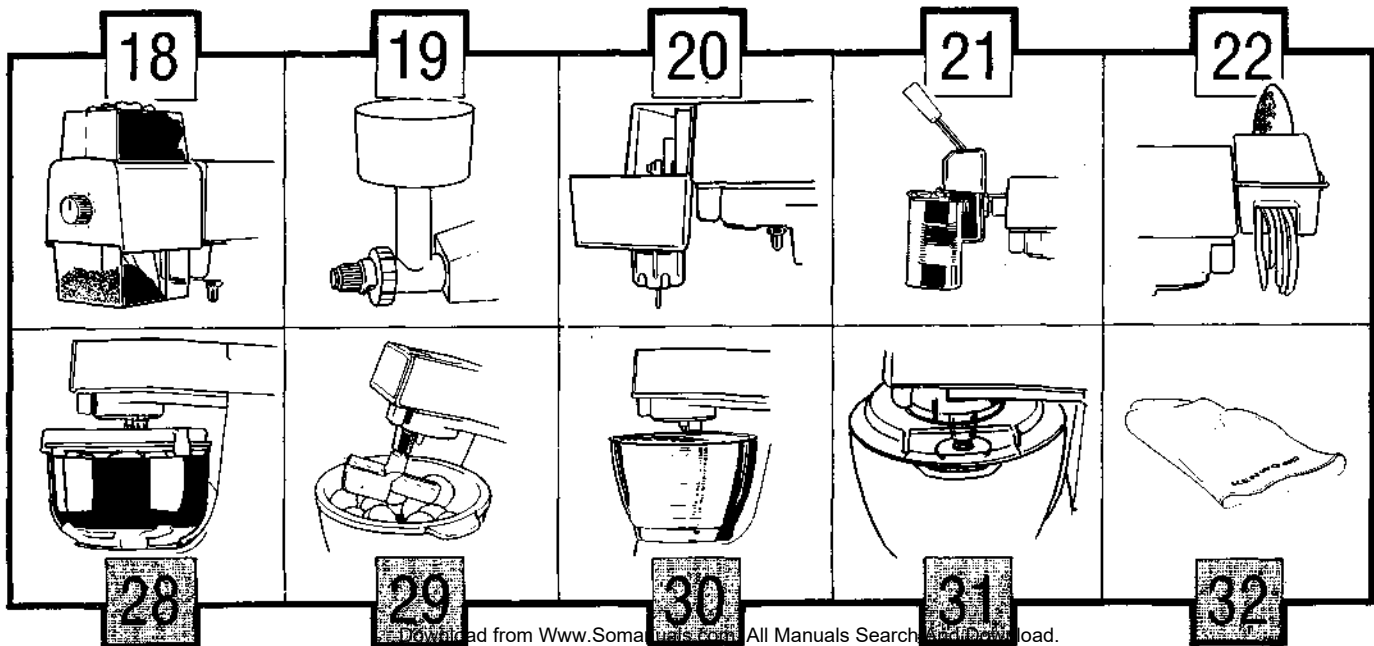
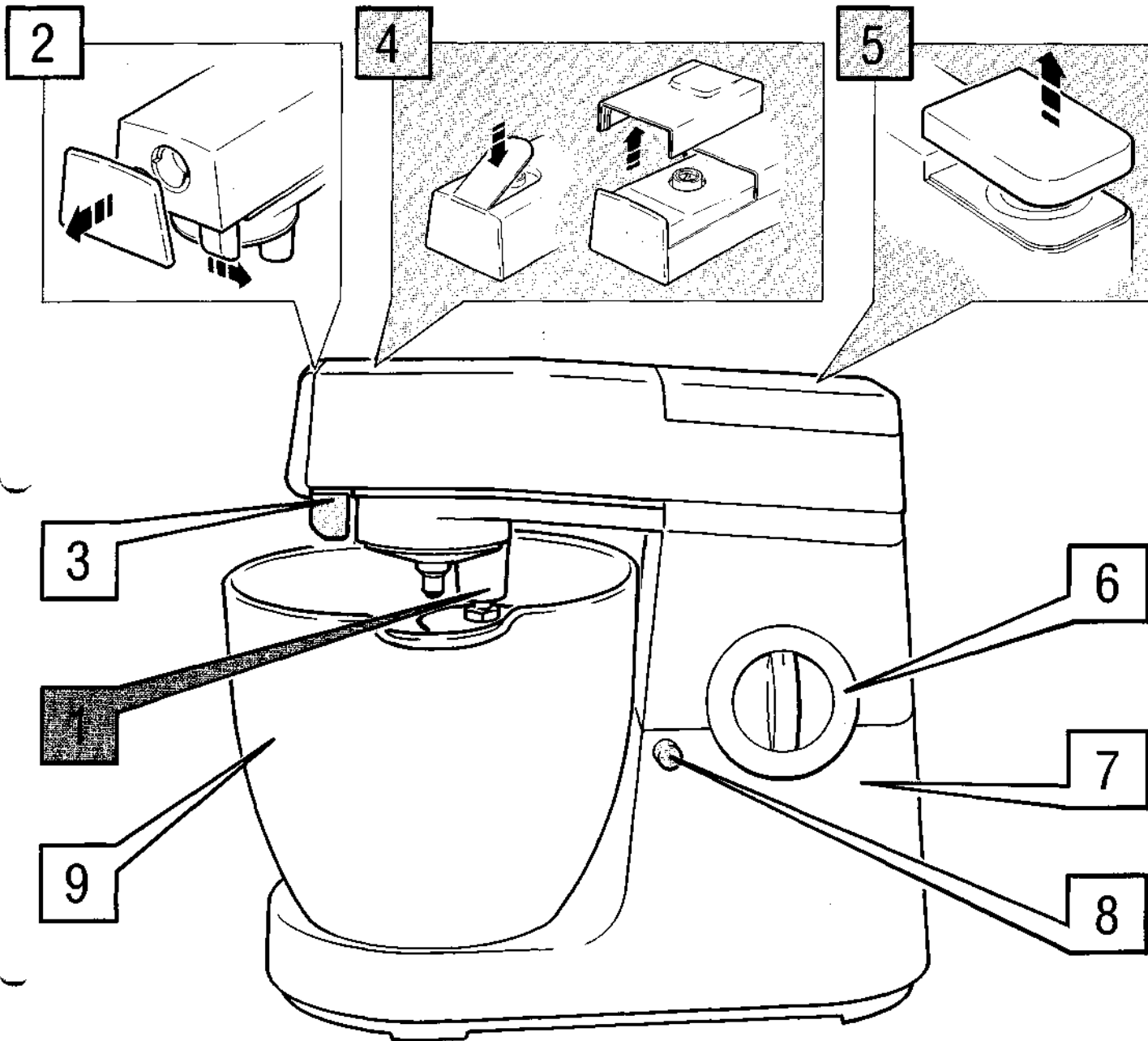
- |  |             |
|--|-------------|
| 21 Ouvre-boites  | Modèle A978 |
| 22 Eminceur de haricots et de zestes                                       |             |
| 23 Presse-fruits   | A932        |
| 24 Mixer   | A995        |
| 25 Moulin à épices   | A989/A990   |
| 26 Eminceur râpe rapide  | A938        |
| 27 Centrifugeuse   | A929        |
| 28 Eplucheuse de pommes de terre (Pour appareils Chef)                     | A935        |
| Eplucheuse de pommes de terre (Pour appareils Major)                       | A934        |
| 29 Passoire et tamis (Pour appareils Chef - Bols ronds)                    | A952        |
| Passoire et tamis (Pour appareils Major)                                   | A992        |
| 30 Bol inox (Pour appareils Chef)  | A930        |
| Bol inox (Pour appareils Major)  | 18749       |
| 31 Protection anti-éclaboussures (Pour appareils Chef et Major-Bols ronds) | 18748       |
| Protection anti-éclaboussures (Bol 'D' pour appareil Chef)                 | 31227       |
| 32 Housse (Pour appareils Chef)  | 30238       |
|  | 29022       |



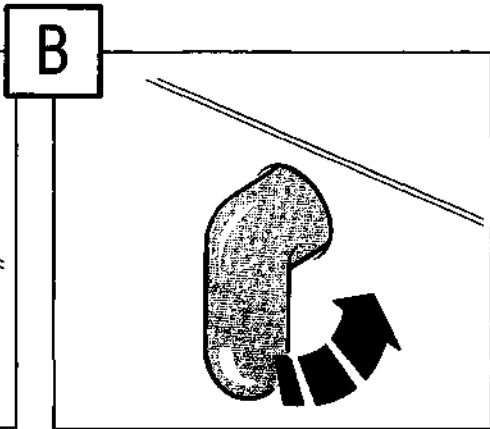
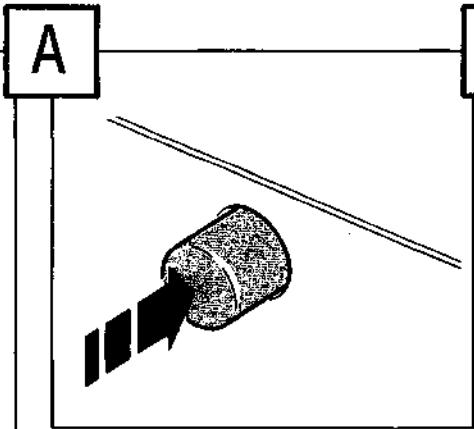
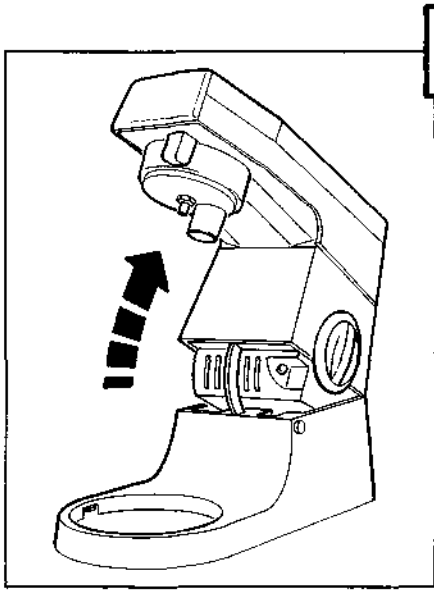
**NOTE IMPORTANTI** cet appareil est conforme aux normes européennes de parasitage définies par la directive 82/499/EEC.



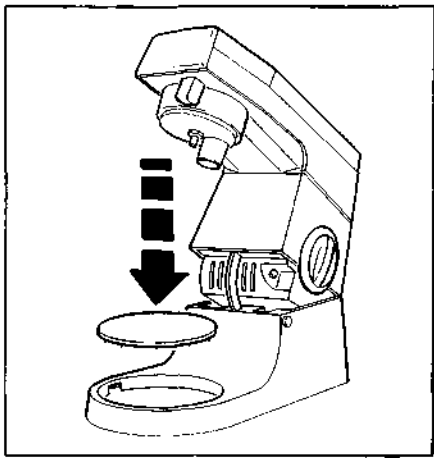
# Votre Robot et Ses Accessoires



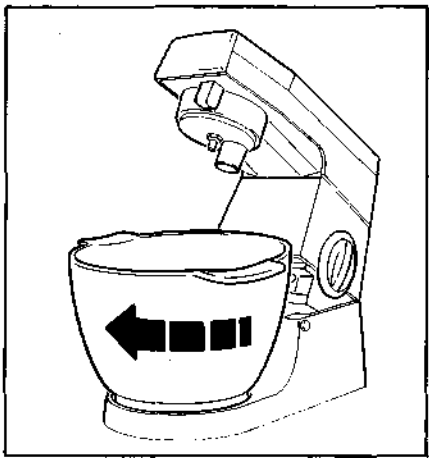
# Mise en Place du bol et des Accessoires



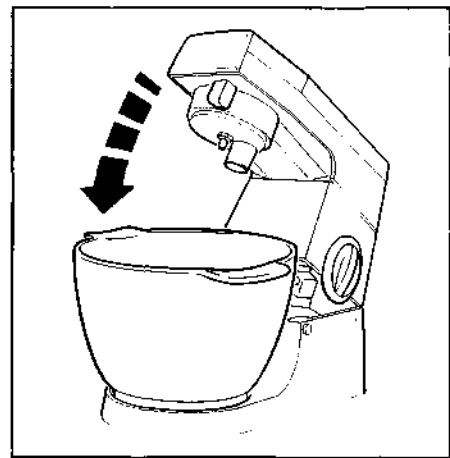
Pour redresser la tête de l'appareil, appuyez sur le bouton de déblocage (A) ou tournez le taquet vers la droite (B). Soulevez la tête jusqu'à ce qu'elle se bloque en position ouverte. (le chef doit toujours être dans cette position lorsque vous mettez en place le bol ou l'un des batteurs, l'éplucheuse de pommes de terre ou la passoire et le tamis).



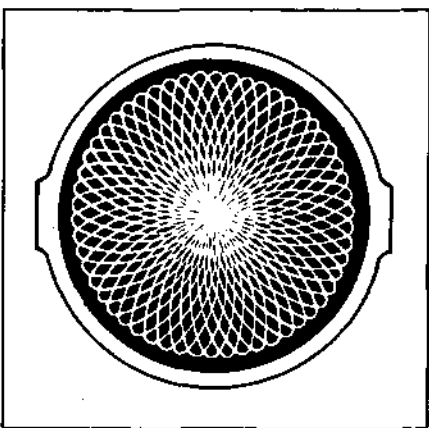
Placez le coussinet de mousse nervurée en dessous dans l'évidement du socle.



Placez le bol sur le socle en engageant les tenons dans les fentes de la base du bol. Appuyez sur le bol puis tournez vers la gauche. (faire l'opération inverse pour dégager le bol).



Abaissez la tête du robot en appuyant sur le bouton de déblocage (A) ou en tournant le taquet vers la droite jusqu'à ce qu'elle se bloque dans la position fermée.



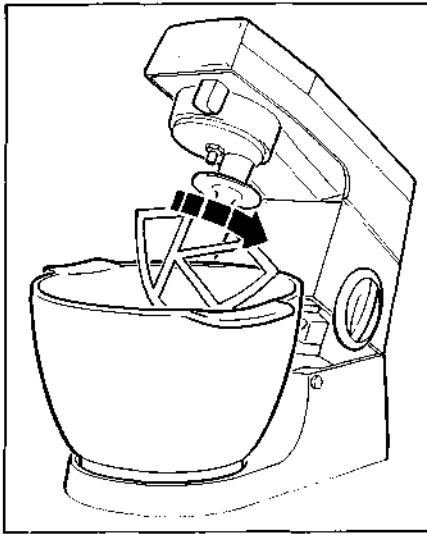
**Mouvement Planétaire**  
 Votre robot KENWOOD est muni du mouvement planétaire qui assure un mixage parfait de tous les ingrédients.

### Quantités Maximum

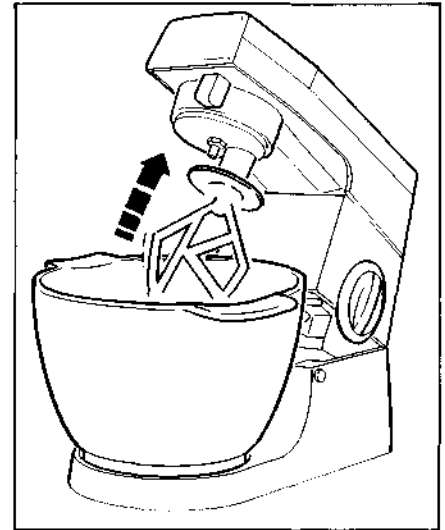
Pour obtenir de meilleurs résultats, respectez les quantités ci-dessous qui ne doivent pas être dépassées

	KM201, KM210 et KM220	KM230 et KM250
pâte Brisée	680 g de farine	910 g de farine
pâte à levain	1,30 kg de farine	1,30 kg de farine
pâte à cake	2,70kg (tous les ingrédients)	2,70kg (tous les ingrédients)
blancs en neige - minimum	1	1
- maximum	12	16

# Mise en Place du Bol et des Accessoires (suite)



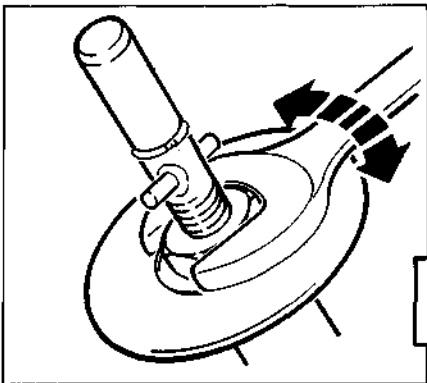
Pour fixer des accessoires dans la douille du pétrisseur, relevez la tête du mixeur, introduisez sans forcer l'accessoire dans le douille en le faisant tourner lentement dans le sens indiqué sur le schéma, jusqu'à ce qu'il atteigne une butée



## NOTE

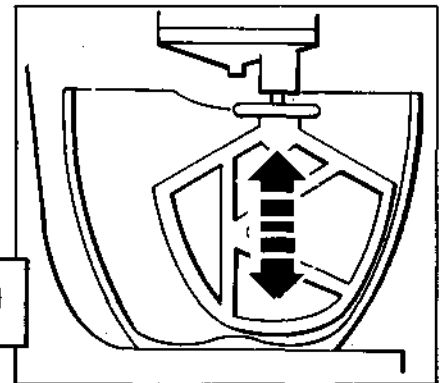
Le batteur "K" et le fouet sont ajustés à l'usine et il n'est pas utile de les régler par la suite. Si toutefois un ajustement s'avérait nécessaire, procédez comme suit:

1. débranchez l'appareil.
2. levez la tête et insérez le batteur ou le fouet à ajuster.
3. à l'aide d'une clé, desserrez l'écrou situé immédiatement au-dessus du batteur (ou du fouet) (C).
4. abaissez la tête et tournez l'accessoire vers le haut ou vers le bas de la hampe (D). Pour de meilleurs résultats le fouet ou le batteur doit effleurer le fond.
5. redressez la tête du CHEF et serrez à l'aide de la clé.

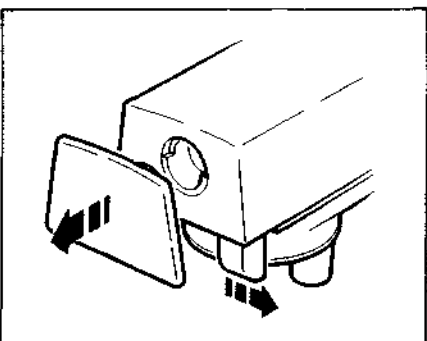


## Conseil

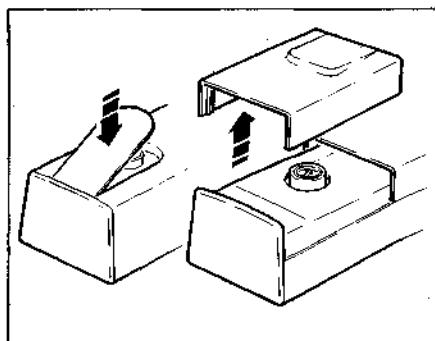
si, pendant le fonctionnement, le batteur "K" frotte le fond du bol, c'est qu'il est réglé trop bas.



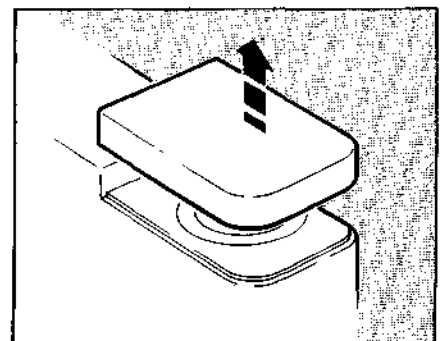
## Pour Fixer les Accessoires



Pour enlever le cache de l'orifice de branchement basse vitesse lente, tirez le cliquet de blocage sur le côté.

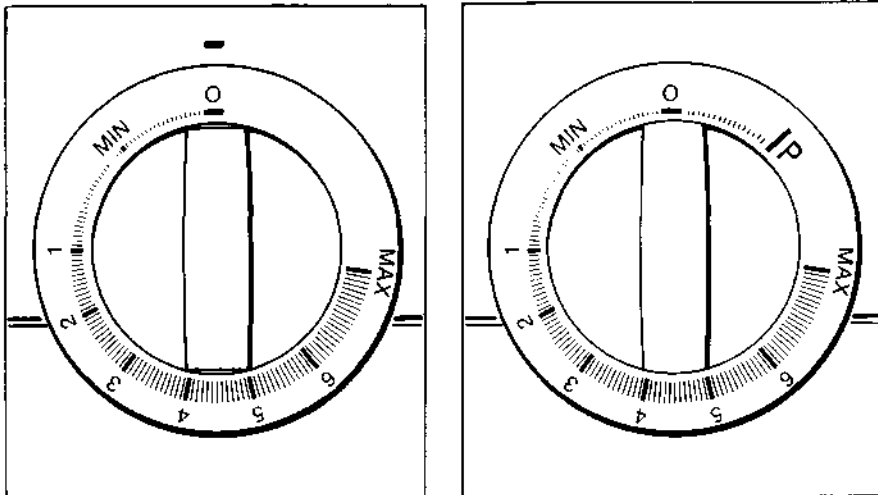


Enlevez le cache de l'orifice d'entraînement du presse-fruits soit en appuyant soit en soulevant la plaque. Si un bouchon plastique est visible, dévissez-le avant d'insérer l'accessoire.



Enlevez le cache de l'orifice de branchement grande vitesse en le soulevant.

## Boutons de Commande

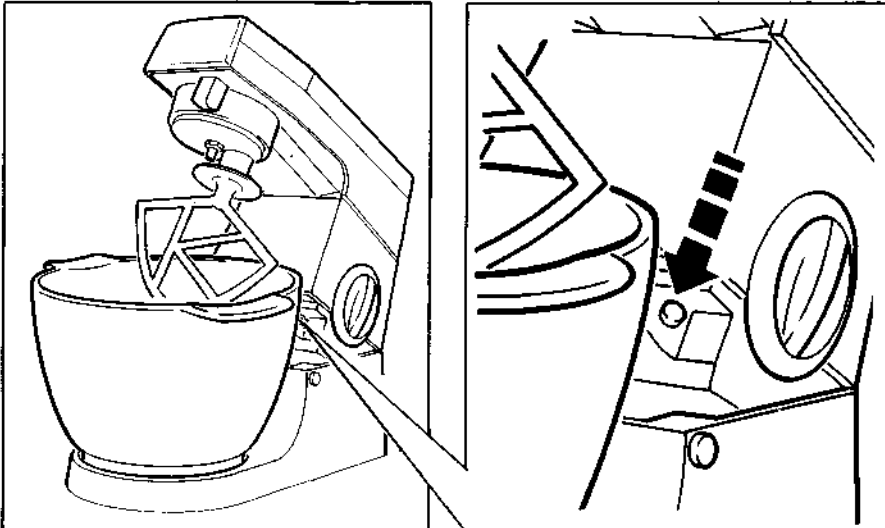


Pour sélectionner une vitesse, il suffit de tourner le bouton de contrôle sur le numéro désiré.

### Nota:

si votre bouton de commande est muni d'un pulsateur, tournez le dans cette position lorsque vous voulez travailler par impulsion. Le pulsateur fonctionne aussi longtemps que le bouton est dans cette position.

## Important



### Dispositif antisurcharge (OPTION)

Les mixeurs comportant un dispositif antisurcharge sont conçus pour s'arrêter automatiquement en cas de surcharge. Dans cette éventualité, mettez l'appareil hors tension puis soulevez-en la partie supérieure pour faire apparaître le bouton vert. Laissez le mixeur hors tension quelques minutes puis appuyez de nouveau sur le bouton pour la remise en route.

### Nettoyage

Le bol, le fouet, le batteur "K", le crochet peuvent être nettoyés à l'eau savonneuse. L'appareil lui-même doit être nettoyé avec un chiffon humide puis essuyé. Toujours débrancher l'appareil avant de le nettoyer. Ne jamais utiliser de poudres abrasives et ne jamais plonger l'appareil dans l'eau. Après la première utilisation, un peu de graisse peut apparaître par les orifices 2 et 4 (voir p. 2) après usage il suffit de l'essuyer, le fonctionnement n'en est aucunement affecté.

### Nota:

n'exposez jamais le bol à une source de chaleur. N'utilisez pas le bol dans un four à micro-ondes.

### Service après Vente

En cas de non fonctionnement, consultez votre revendeur.

Si le cordon d'alimentation est endommagé, seul un réparateur Kenwood agréé doit le remplacer, cette intervention nécessitant des outils spéciaux.

POUR DECOUVRIR L'ENSEMBLE DE NOTRE COLLECTION AVEC SES NOUVEAUTES ET OFFRES SPECIALES  
POUR CONNAITRE LES CONDITIONS D'ADHESION AU CLUB KENWOOD CHEF (CADEAUX, RECETTES, JEUX) ET LES ADRESSES DES STATIONS - SERVICES  
TAPEZ 3615 KENWOOD SUR VOTRE MINITEL

### Utilisation des accessoires

N'approchez pas vos mains des lames coupantes en rotation.

N'utilisez qu'un accessoire à la fois.

# Information Générale

Utilisez le fouet pour les oeufs, la crème, les pâtes lisses, les pâtes molles, les meringues, les gâteaux à base de fromage blanc, les mousses, les soufflés ...

Utilisez le batteur "K" pour les gâteaux, les biscuits, les pâtisseries, les glaces, la purée de pommes de terre, la pâte à chou.

Utilisez le crochet pour les pâtes lourdes à base de levures.

Le bouton de commande offre un large choix de vitesses que vous sélectionnez selon les ingrédients et les quantités à travailler.

Fouet	augmentez la vitesse graduellement jusqu'à position maximum. Si le mélange éclabousse, diminuez la vitesse
Batteur K	mélangez la matière grasse et le sucre à vitesse lente, l'augmentez progressivement jusqu'à une position moyenne. Pour de très petites quantités, gardez la vitesse lente. Battez la matière grasse, le sucre et les oeufs à vitesse moyenne ou rapide. Incorporez la farine et les fruits, et... à vitesse lente. Ne pas mélanger trop longtemps à ce stade. Mélangez la pâte à biscuit à vitesse moyenne. Incorporez la matière grasse à la farine à vitesse lente.
Crochet à pâte	commencez à la vitesse 1 et augmentez progressivement jusqu'à 2.

# Recettes

## Pain Blanc

1350 g de farine  
15 g de sel  
25 g de levure fraîche ou  
20 g de levure sèche  
2 cuillerées à café de sucre  
750 ml d'eau chaude  
25 g de matière grasse

### Levure sèche

Mettez la levure sèche dans l'eau chaude, ajoutez le sucre et laissez reposer 10 minutes environ jusqu'à ce que le mélange devienne mousseux.

### Levure fraîche

Émiettez la levure dans la farine et ajoutez le sucre. Versez tout le liquide dans le bol, ajoutez la matière grasse, la farine et le sel. Pétrissez de 45 secondes à 1 minute à la vitesse 1 puis augmentez à 2 jusqu'à former une boule. Ajoutez un peu de farine si nécessaire. Pétrissez à nouveau 2 minutes à la vitesse 2 jusqu'à ce que la pâte soit lisse, élastique et se détache des bords du bol. Placez la pâte dans un sac plastique beurré dans un endroit chaud pour environ 1 heure à 1 heure 1/2, jusqu'à ce qu'elle double de volume. Remettez-la alors dans le bol et pétrissez 2 minutes à la vitesse 1.

Mettez la pâte dans 4 moules beurrés remplis à moitié. Couvrez et laissez la pâte doubler de volume.

Laissez cuire 30 à 35 minutes thermostat 8 (230°). Le pain est cuit quand il émet un son creux si on heurte le dessous avec un couteau.

### Conseils:

Vous obtiendrez de meilleurs résultats avec une farine complète mais si vous ne pouvez vous en procurer, utilisez une bonne farine ordinaire.

Il n'est pas indispensable de chauffer les ustensiles utilisés et de faire lever la pâte dans un endroit chaud, mais cela permet cependant à la levure de monter plus rapidement.

### Pain Bis

Suivez la recette du pain blanc en utilisant 900 g de farine complète et 450 g de farine blanche.

### Important

Il peut y avoir des différences considérables dans la quantité de liquide requise en fonction des farines utilisées, et une pâte collante pourra imposer un effort beaucoup plus grand à votre appareil. Nous vous conseillons donc vivement de respecter scrupuleusement les quantités indiquées, et de surveiller constamment l'appareil pendant qu'il pétrit la pâte - cette opération ne durera guère plus de 3 minutes et demi.

## Pizza Napolitaine

### Pâte:

25 g de levure fraîche ou 20 ml de levure sèche + 5 g de sucre en poudre  
250 ml d'eau chaude  
25 g de matière grasse  
10 g de sel  
400 g de farine

### Garniture:

400 g d'oignons épluchés et émincés  
frits dans l'huile  
800 g de tomates épluchées et émincées  
10 à 15 g d'origan,  
sel, poivre  
300 g de mozzarella  
100 g de filets d'anchois  
olives noires

Faites la pâte en suivant la recette du pain blanc. Après que la pâte ait monté une première fois, pétrissez-la de nouveau et travaillez la pour obtenir 2 cercles de 30 cm. Placez-les sur des plaques de cuisson. Faites revenir les oignons dans l'huile versez-les sur la pâte jusqu'à 2,5 cm du bord. Placez les tomates en quartier sur les oignons et parsemez d'origan. Assaisonnez. Râpez le fromage avec la râpe rapide et versez-le sur les tomates. Décorez avec les anchois et les olives. Laissez reposer 30 minutes puis cuisez dans le four préchauffé à 220°C pour environ 20 à 25 minutes.

## Cake aux Fruits

200 g de beurre  
200 g de sucre roux  
20 ml de mélasse  
1 zeste d'orange ou de citron  
4 oeufs  
250 g de farine  
1,2 ml de muscade  
1,2 ml de cannelle  
1,2 ml d'épices  
1,2 ml de sel  
40 ml de brandy, de rhum ou de sherry  
600 g de fruits confits  
50 g d'amandes en poudre

Mettez le beurre, le sucre, la mélasse et les zestes dans le bol et battez à la vitesse 3-4 en augmentant la vitesse jusqu'à ce que les ingrédients soient bien mélangés et deviennent légers et mousseux. Râclez le bol et le batteur. Ajoutez les oeufs un par un. Battez jusqu'à une consistance lisse entre chaque oeuf. Ajoutez la farine à la vitesse minimum puis les fruits et noisettes. Placez la préparation dans un moule rond de 22 cm graissé et tapissé de papier sulfurisé. Cuire à 150° la première heure, puis à 140° pendant 2 heures 1/4. Quand le gâteau est refroidi, démoulez-le en le retournant. Transpercez-le en plusieurs endroits à l'aide d'une brochette et versez le brandy, le rhum ou le sherry. Quand il a tout absorbé, enveloppez le dans un papier sulfurisé et placez le dans un récipient étanche.

**NOTE:** Utilisez la spatule pour râcler les ingrédients sur les parois du bol.

Utilisez le beurre à température ambiante ou réchauffez le bol avec de l'eau chaude et laissez le batteur K dedans pendant que vous pesez les ingrédients. Essayez soigneusement avant utilisation.

Commencez le mélange à basse vitesse, puis augmentez raisonnablement la vitesse en évitant que le mélange n'éclabousse les bords du bol. Si les quantités sont plus importantes, la vitesse peut être augmentée.

Utilisez une vitesse lente pour incorporer la farine et les fruits dans le mélange.



# Recettes

## Sandwich Victoria

150 g de beurre  
150 g de sucre en poudre  
3 oeufs  
150 g de farine additionnée de levure chimique  
Confiture  
sucre glace

Fouettez le beurre et le sucre à la vitesse 3-4 jusqu'à l'obtention d'un mélange crémeux et mousseux. Eventuellement, augmentez la vitesse en cours de fonctionnement. Râchez le bol et le batteur et ajoutez les oeufs un à un en utilisant la vitesse maximum jusqu'à obtention d'une pâte lisse. Ajoutez la farine à vitesse minimum, mélangez juste le temps nécessaire à l'incorporation. Versez le mélange dans 2 moules à manqué de 18 cm de diamètre préalablement beurrés et mettre au four préchauffé à 190° pendant 25 à 30 minutes. Retournez sur une grille et laissez refroidir. Formez un sandwich en intercalant une couche de confiture et saupoudrez de sucre glace.

### Conseils

Le beurre doit être à température ambiante pour la préparation des gâteaux.  
Si la matière grasse est trop ferme mettez de l'eau chaude dans le bol, trempez-y le batteur K quelques minutes, et essuyez soigneusement avant usage.  
Si le batteur ne va pas jusqu'au fond du bol, procédez à son ajustement (voir p. 4).  
Pour incorporer les ingrédients, démarrez à petite vitesse, puis augmentez la vitesse petit à petit. Pour de plus grandes quantités, vous pouvez utiliser une vitesse plus importante.  
Il peut être nécessaire de stopper l'appareil pour râcler le bol à l'aide de la spatule.

## Pâte Brisée

400 g de farine tamisée  
5 g de sel  
200 g de matière grasse  
80 ml d'eau environ

Coupez grossièrement le beurre et ajoutez la farine dans le bol. Mélangez à vitesse 1, puis augmentez à 4-5 jusqu'à ce que le mélange s'émiette, arrêtez avant qu'il ne devienne grasseux.  
Ajoutez l'eau et mélangez à vitesse lente jusqu'à obtention d'un mélange homogène. En principe la pâte cuit à 200°, mais cela dépend de la garniture.

### Conseils

Utilisez la matière grasse sortant directement du réfrigérateur.  
Ne pas trop mélanger les ingrédients.

## Pâte à Chou

50 g de beurre  
125 ml d'eau  
75 g de farine  
1 pincée de sel  
2 oeufs

Mettez le beurre dans l'eau et portez à ébullition. Hors du feu, ajoutez la farine et le sel. Mélangez quelques minutes à feu très doux à l'aide d'une cuillère en bois jusqu'à ce que la pâte forme une boule qui se détache des parois de la casserole. Laissez refroidir puis versez dans le bol. Mettre à la vitesse 2 et utilisez le batteur K pour incorporer les oeufs un à un.  
Augmentez alors la puissance au maximum pendant 30 à 60 secondes. Disposez sur une plaque beurrée et farinée, en forme ronde pour les choux, en longueur pour les éclairs.

## Gâteau aux Fraises et aux Abricots

**Biscuit**  
3 oeufs  
75 g de sucre semoule  
75 g de farine  
**Garniture et décoration**  
125 ml de crème fraîche  
200 g de fraises  
200 g d'abricots  
Sucre à volonté

Coupez les abricots en 2 et les dénoyauter. Laissez cuire à feu doux dans très peu d'eau avec le sucre jusqu'à ce qu'ils soient moelleux. Lavez et coupez les fraises en 2. Préparez la génoise en mélangeant les oeufs et le sucre à vitesse maximum jusqu'à ce que le mélange blanchisse. Otez le bol et versez délicatement la farine en utilisant le fouet d'une main. Versez le mélange dans 2 moules à manqué de 18 cm préalablement beurrés. Laissez cuire à 180° environ pendant 20 minutes, jusqu'à ce que le gâteau rebondisse quand on le touche légèrement. Le sortir du moule et le laisser refroidir sur une plaque. Utilisez le fouet pour fouetter la crème à grande vitesse pour l'épaissir, ajoutez le sucre selon votre goût. Hachez grossièrement les abricots avec 1/3 des fraises et incorporez délicatement à la moitié de la crème. Etalez cette préparation entre les 2 biscuits. Étendez le reste de la crème au-dessus du gâteau et décorez avec les 1/2 fraises restantes.

## Gâteau Glacé au Citron

200 g de gâteaux secs  
100 g de beurre  
**Garniture:**  
20 ml de gélatine  
125 ml d'eau  
4 oeufs  
100/150 g de sucre en poudre  
3 gros citrons  
250 g de fromage frais égoutté  
Des fruits et de la crème

Utilisez le mixer. Lâchez les morceaux de gâteaux secs sur les lames à vitesse maximum pour les émietter complètement. Répétez l'opération 2 ou 3 fois. Faites fondre le beurre dans une casserole, ajoutez les gâteaux secs émiettés, remuez et pressez légèrement dans un moule de 21 cm à bords amovibles. Laissez refroidir pendant que vous préparez la garniture. Faites fondre la gélatine au bain-marie. Mélangez les jaunes d'oeufs et le sucre à vitesse maximum à l'aide du fouet jusqu'à ce que le mélange blanchisse. Ajoutez le fromage frais et continuez à mélanger pour obtenir une pâte lisse. Réduisez la vitesse à 5, ajoutez le zeste des citrons, le jus et la gélatine et mélangez jusqu'à ce que tous les ingrédients soient incorporés. Versez dans un récipient et laissez refroidir.

Battez les blancs à vitesse maximum et incorporez-les délicatement à la préparation. Versez le mélange dans le moule sur le biscuit et laissez refroidir.

Enlevez le tour du moule et décorez avec des fruits ou de la crème fouettée, selon votre goût.

## Meringues

4 blancs d'oeuf  
225 g de sucre glace

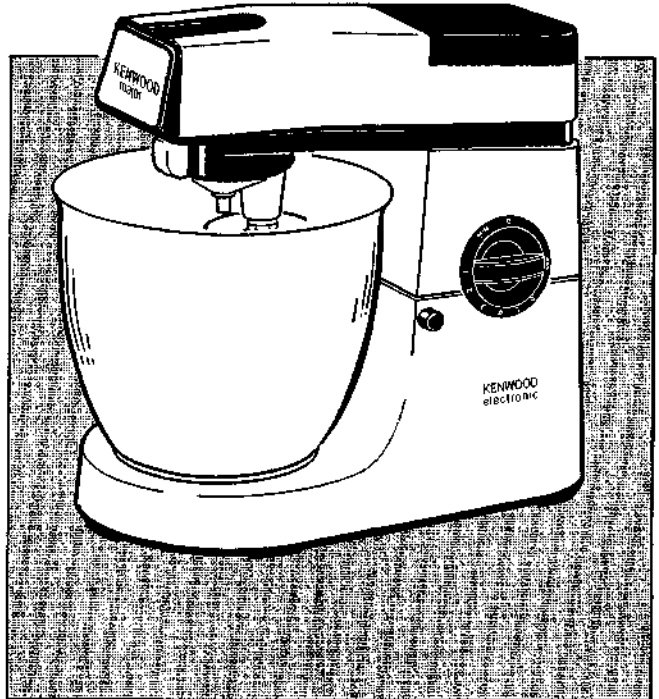
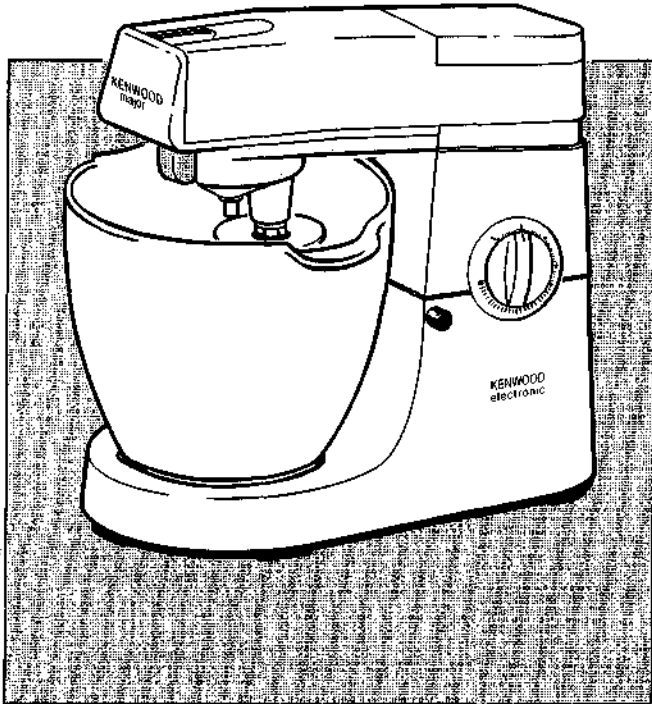
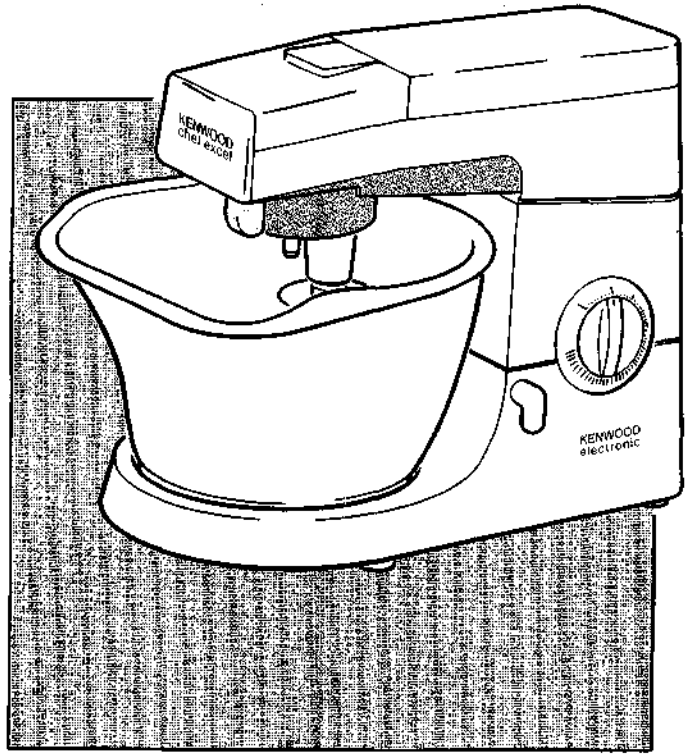
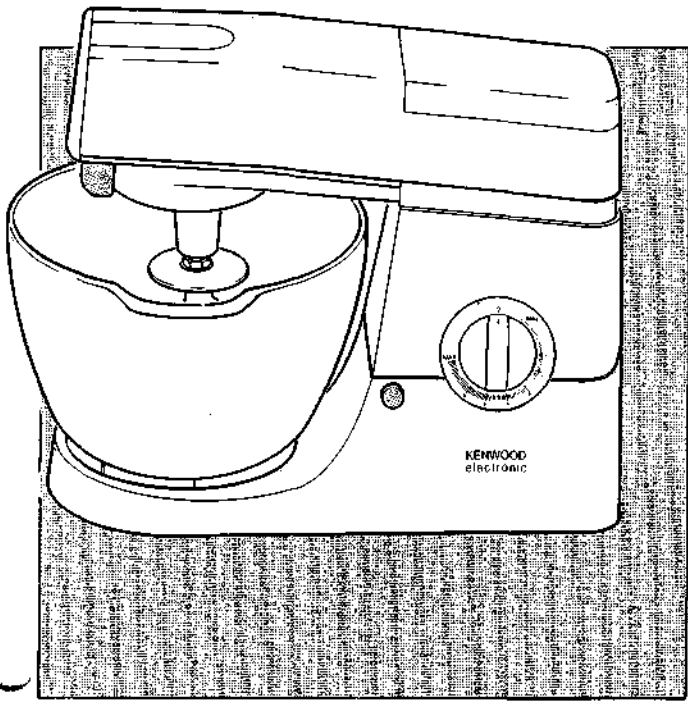
Recouvrez la plaque de cuisson de papier sulfurisé.

Mettez les blancs et le sucre glace dans le bol et mélangez à vitesse maximum jusqu'à ce qu'ils soient bien fermes (environ 10 minutes). Remplissez une poche à douille avec le mélange et répartissez sur la plaque de cuisson.  
Laissez cuire les meringues à four très doux, 110° jusqu'à ce qu'elles deviennent fermes et craquantes (environ 4 à 5 heures).

### Conseils

Les meringues peuvent être conservées dans une boîte en fer.  
Si les meringues se colorent, ouvrez immédiatement la porte du four pour quelques instants.





# KENWOOD

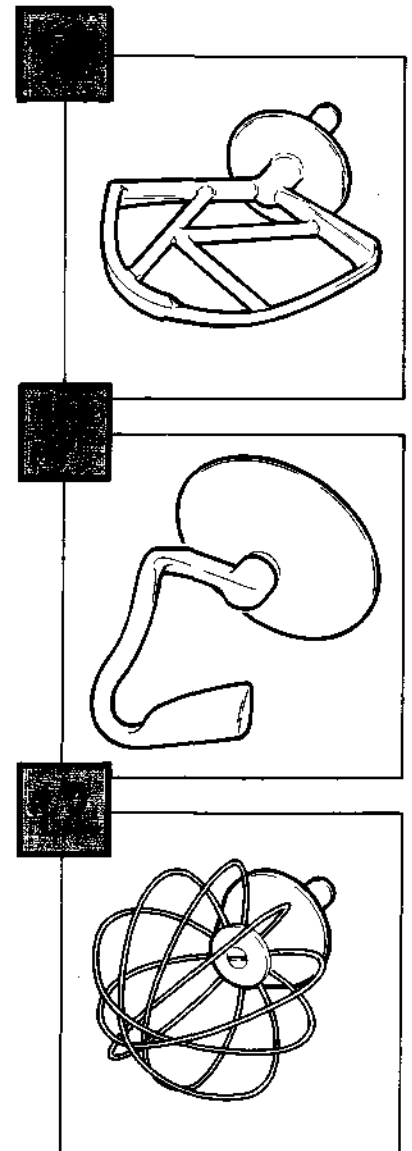
KM200 - KM260

# Willkommen bei der Küchenarbeit mit Kenwood

Mit Ihrer neuen Kenwood Küchenmaschine wird die Küchenarbeit einfach und angenehm. Besten Nutzen von Ihrem Mixer haben Sie, wenn Sie ihn auf einer geeigneten Arbeitsfläche immer bereit haben. Mit der reichhaltigen Auswahl an lieferbaren Werkzeugen und Zubehör-Aufsätzen sind Ihnen weitere kulinarische Genüsse zum Ausprobieren geboten. (NB: Einige Zubehör-Aufsätze sind nur für besondere Modelle vorgesehen.)

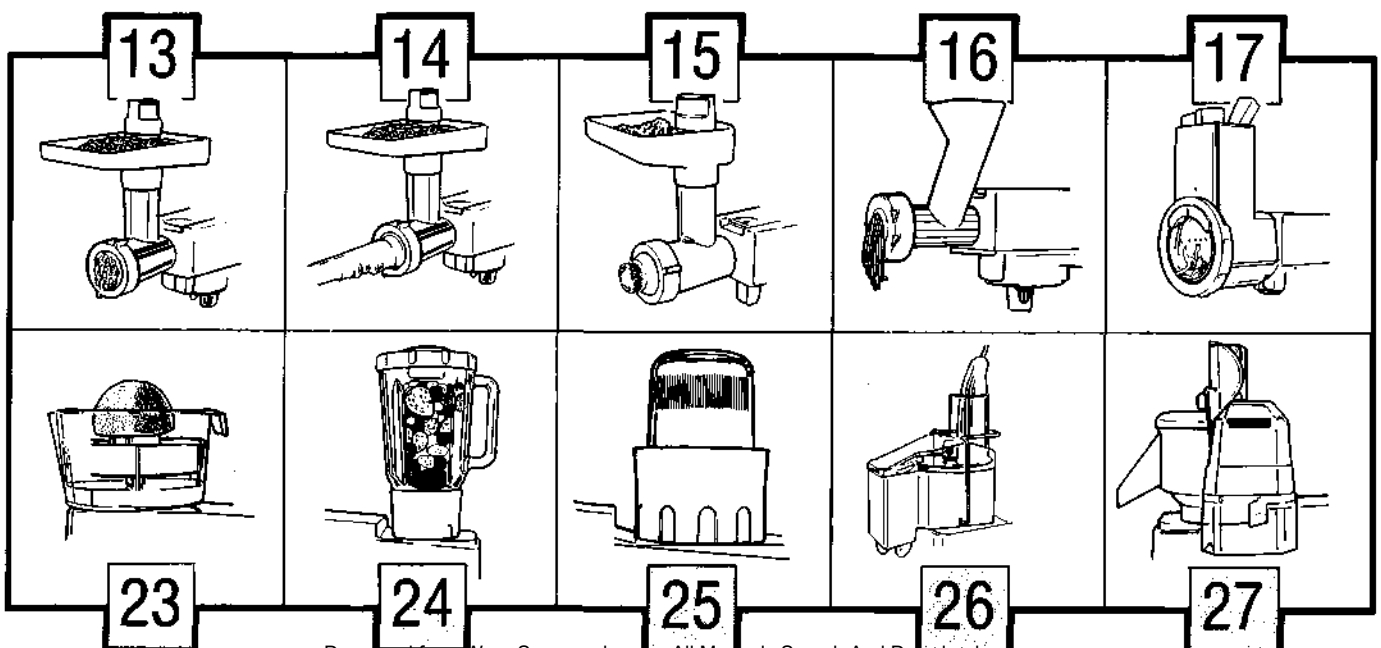
## Die Bildnumerierung

	Modell
1 Planetengetriebe/Werkzeugaufnahme	A978
2 Langsame Abtriebswelle	A932
3 Verriegelung der langsamen Abtriebswelle	A995
4 Abtriebswelle für Entsafter	A989/A990
5 Schnelle Abtriebswelle	A938
6 An/Aus und Geschwindigkeitsregelung	A929
7 Motorgehäuse	A935
8 Freigabeknopf für das Oberteil	A934
9 Schüssel	
Werkzeuge/Aufsätze	Modell
10 K-Rührwerkzeug	
11 Knethaken	
12 Schneebesens	
13 Fleischwolf	A920
14 Wurstaufsatz zum Fleischwolf	A926
15 Kebbe-Werkzeug zum Fleischwolf	A937
16 Pasta Aufsatz	A936
17 Trommel-Schneider/Raspel	A948
18 Mahlwerkskaffeemühle	A979
19 Getreidemühle	A941
20 Sahneaufsatz	A927
21 Dosenöffner	A978
22 Bohnen- und Schälwerkzeug	A932
23 Entsafter	A995
24 Mixbecher	A989/A990
25 Gewürzmühle	A938
26 Schnitzelwerk	A929
27 Entsafter	A935
28 Kartoffelschäler (Für Chef-Küchenmaschinen)	A934
Kartoffelschäler (Für Major-Küchenmaschinen)	A952
29 Passiergerät (Für Chef-Küchenmaschinen: Rundschüsseln)	A992
Passiergerät (Für Major-Küchenmaschinen)	A930
30 Edelstahlschüssel (Für Chef-Küchenmaschinen)	18749
Edelstahlschüssel (Für Major-Küchenmaschinen)	18748
31 Spritzschultz (Für Chef- und Major-Küchenmaschinen: Rundschüsseln)	31227
Spritzschultz ('D'-Schüssel für die Chef-Küchenmaschine)	30238
32 Abdeckhaube (Für Chef-Küchenmaschinen)	29022

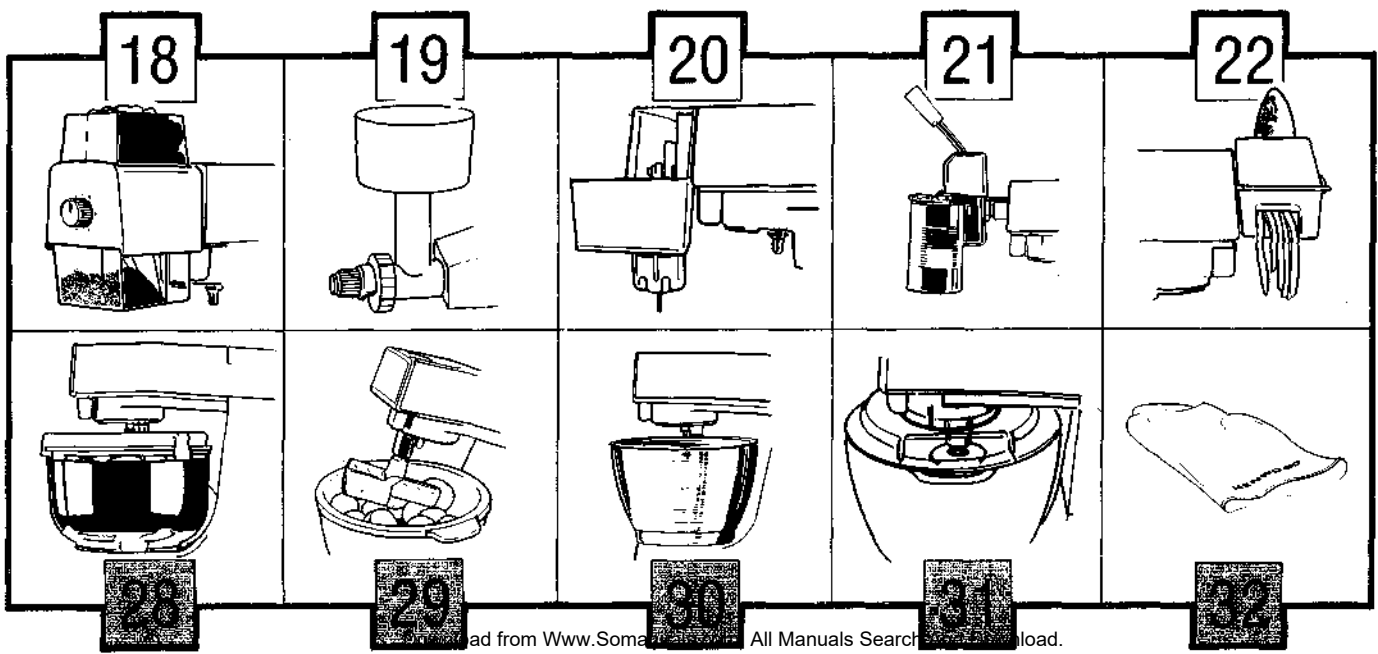
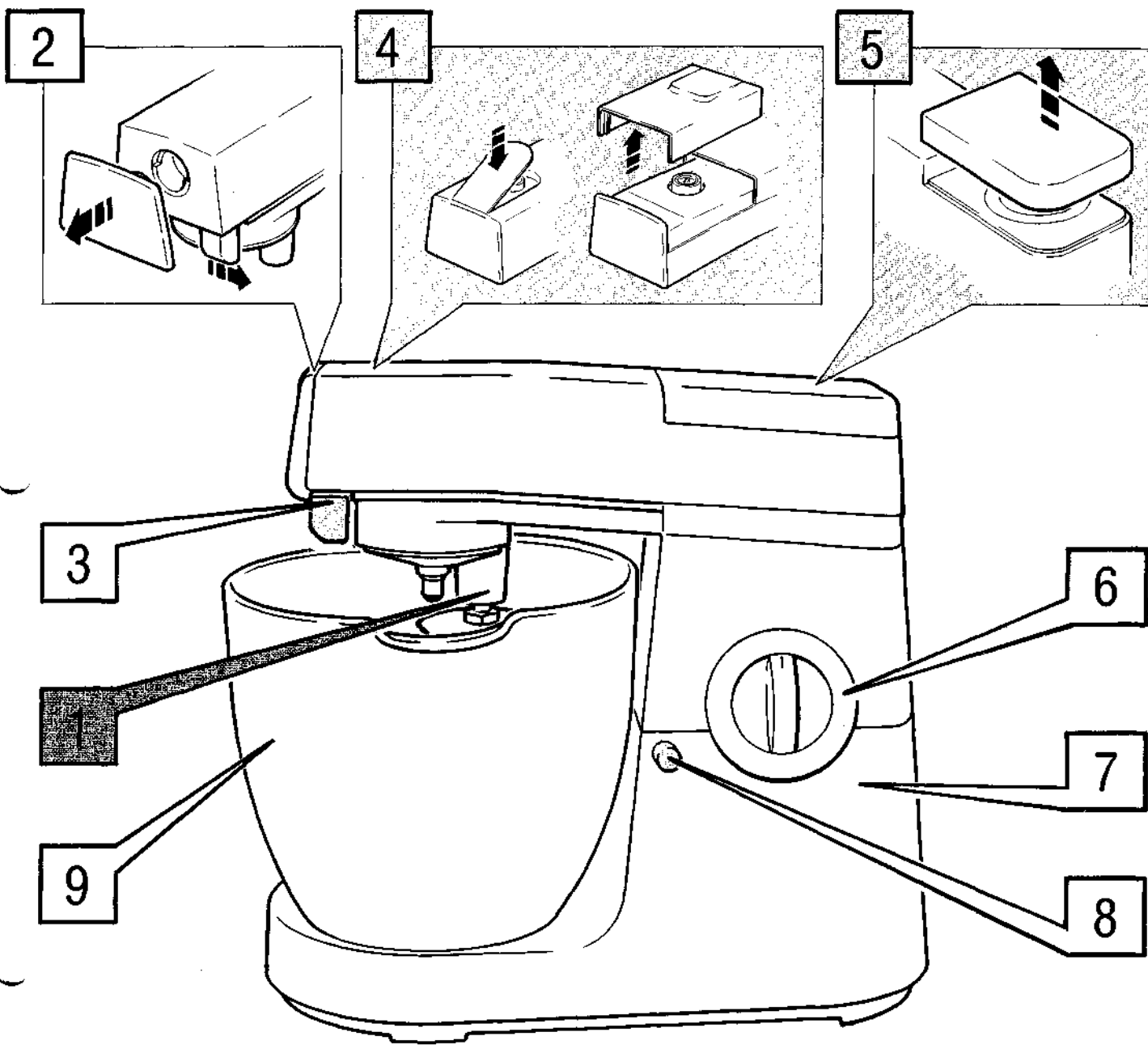


Die Zuordnung der Werkzeuge zu den Abtriebswellen wird durch entsprechenden Farbencode erleichtert.

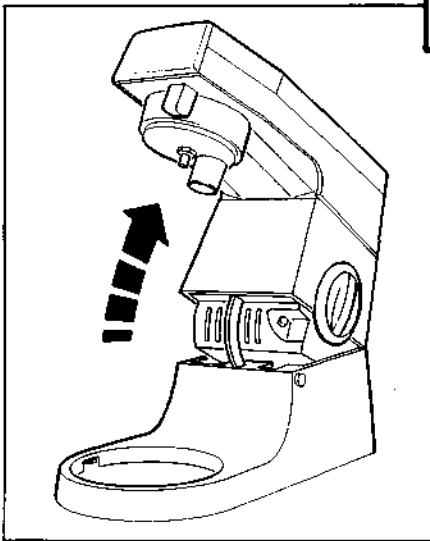
**Wichtig:** Das Gerät erfüllt hinsichtlich der Funkentstörung die Bestimmung 82/499/EEC der Europäischen Gemeinschaft.



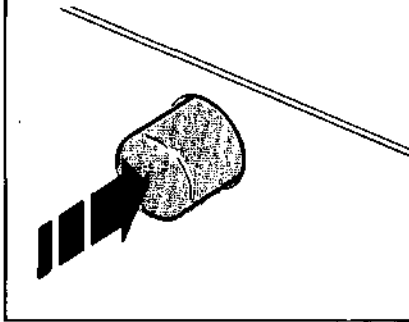
# Ihr Mixer mit den Werkzeugen



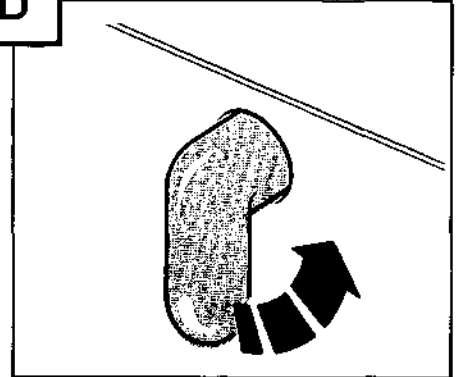
# Montage der Schüssel und Werkzeuge



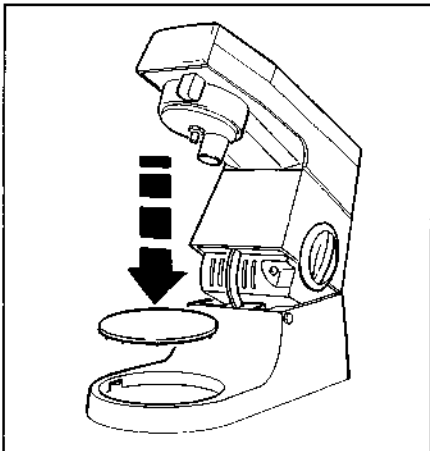
A



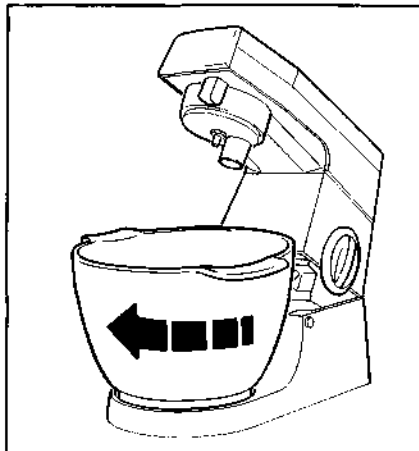
B



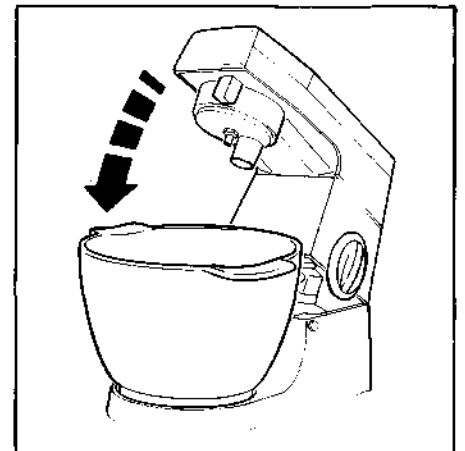
Das Oberteil läßt sich nach Betätigung des Freigabeknopfes (A) heben, ODER durch Drehen des Verriegelungshebels entgegen dem Uhrzeigersinn. (B). Das Oberteil nach oben klappen, bis es einrastet. (Diese hochgeklappte Stellung ermöglicht das Einsetzen von Schüssel, Schneebesen, 'K'-Rührwerkzeug, Knethaken, Kartoffelschäler, Passiergerät)



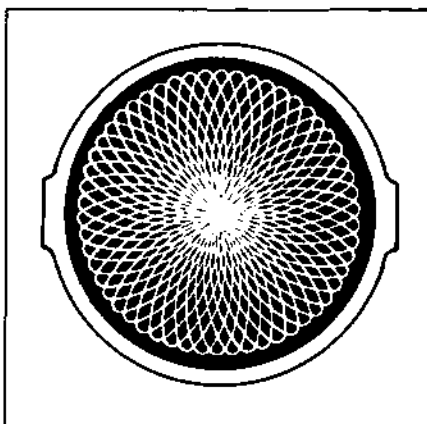
Stecken sie die Plasticscheibe mit der Rippung nach unten in die runde Aussparung.



Stellen Sie die Schüssel in die runde Aussparung. Durch Drehung im Uhrzeigersinn und Druck von oben gleiten die Rastnasen in die Halterillen im Boden der Schüssel, die so festen Sitz erhält. (Vorgang umkehren zum Lösen der Schüssel).



Das Oberteil läßt sich nach Betätigung des Freigabeknopfes (A) senken, ODER durch Drehen des Verriegelungshebels entgegen dem Uhrzeigersinn. (B). Das Oberteil nach unten klappen, bis es einrastet.



## Planetengetriebe

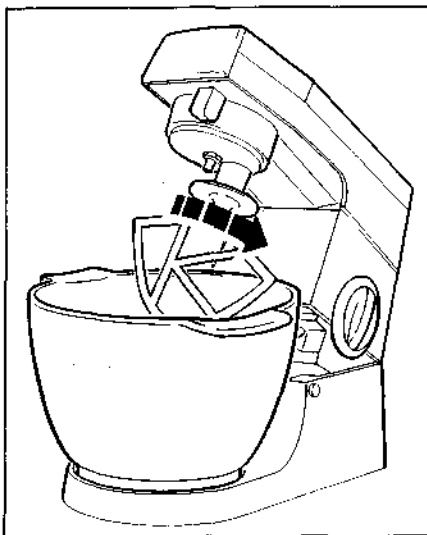
Ihr Kenwood Mixer mischt sternförmig, so daß alle Teile des Mischguts in der Schüssel gründlich durchgemischt werden.

## Höchstmengen

Zur Erzielung bester Ergebnisse sollten Sie die folgend angegebenen Mengen nicht überschreiten:

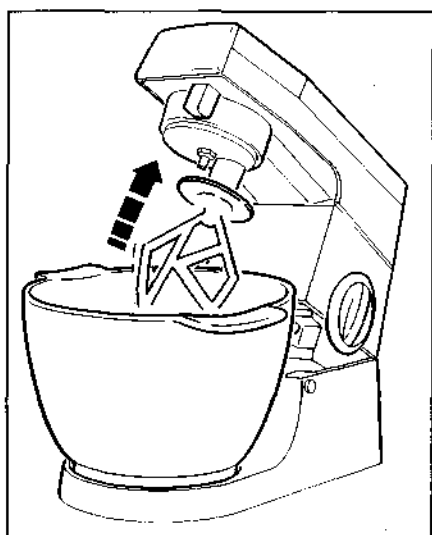
	Typ KM 201, KM210 und KM220	Typ KM230 und KM250
Mürbegebäck	1 1/2 lb/680g Mehl	2 lb/910g Mehl
Hefeteig	3 lb/1.36 kg Mehl	3 lb/1.36 kg Mehl
Teigmischung (Fruchtkuchen)	6 lb/2.72 kg insgesamt	10 lb/4.55 kg insgesamt
Eiweiß - mind	1	1
- höchstens	12	16

# Montage der Schüssel und Werkzeuge



Zum Einsetzen der Vorsatzgeräte in die Aufnahme wird der Rührarm angehoben. Vorsatzgerät vorsichtig in die Buchse schieben, während man es langsam in der im Bild dargestellten Richtung bis zum Anschlag dreht.

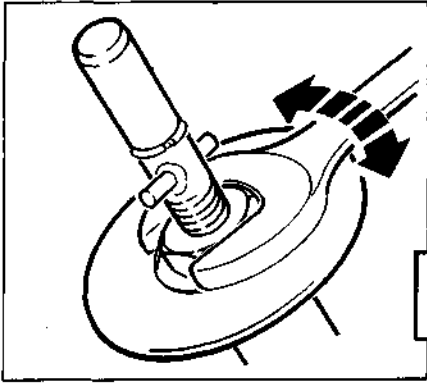
Drücken Sie das Werkzeug fest nach oben, bis es einrastet. Zum Herausnehmen des Werkzeugs drehen Sie es im Uhrzeigersinn, bis es freigegeben ist.



## Bemerkung

Das 'K'-Werkzeug und der Schneebesen wurden im Werk eingerichtet, so daß sich weitere Eingriffe erübrigen. Sollten solche aus irgendeinem Grund dennoch erforderlich sein, gehen sie wie folgt vor:

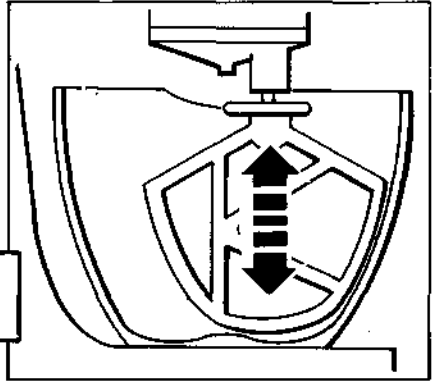
1. Trennen Sie den Mixer vom Netz.
2. Klappen Sie das Oberteil hoch und setzen Sie das einzurichtende Werkzeug - 'K' oder Schneebesen - ein.
3. Halten Sie das Werkzeug und lockern Sie die Mutter mit einem geeinigten Schlüssel (C).
4. Senken Sie das Oberteil und drehen Sie das Werkzeug nach oben oder unten auf der Welle (D). Das 'K'-Werkzeug wie der Schneebesen sollten am besten möglichst nahe zum Schüsselboden sitzen.
5. Klappen Sie das Oberteil hoch und ziehen Sie die Mutter fest, während Sie das Werkzeug festhalten.



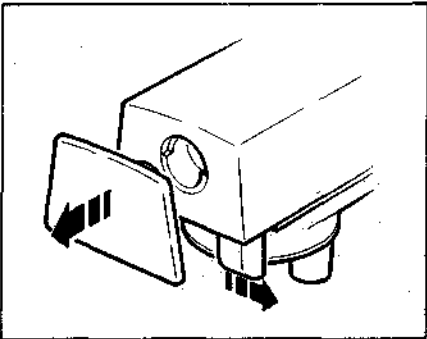
## Hinweis

Wenn das 'K'-Werkzeug bei laufendem Motor gegen die Schüssel schlägt, dann ist es zu tief eingerichtet.

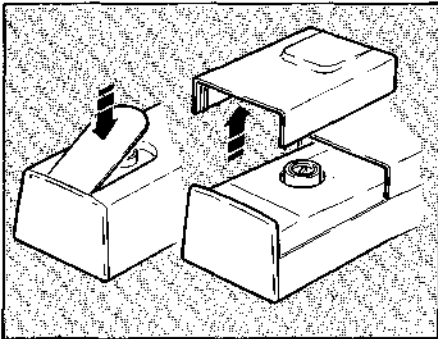
C



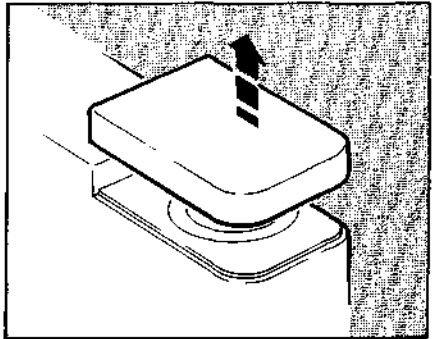
D



Zum Abheben des Deckels auf der Niedriggeschwindigkeitswelle ist der Rasthebel zur Seite zu drücken und der Deckel wegzuziehen.

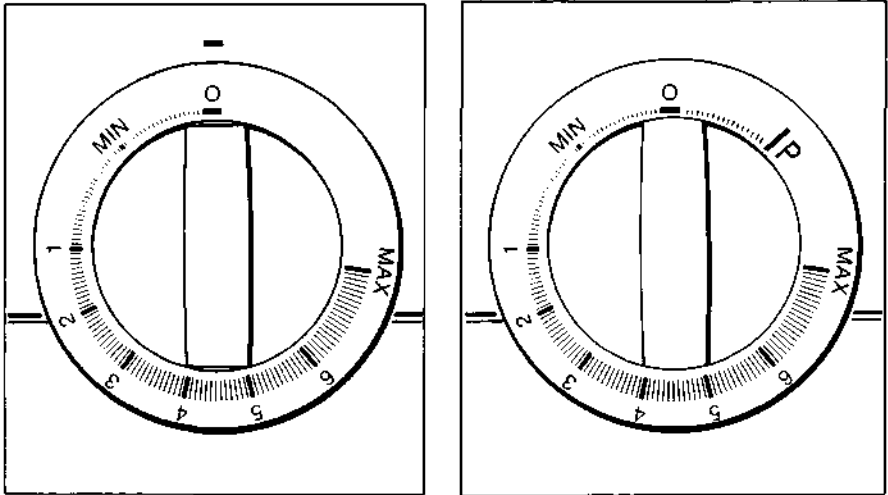


Der Deckels über der Abtriebswelle für den Entsafter ist durch Niederdrücken oder einfaches Abheben zu entfernen. Wenn ein Plastikverschluß aufsitzt, ist dieser abzuschrauben, bevor das Werkzeug eingesetzt werden kann.



Der Deckel über der Hochgeschwindigkeitswelle läßt sich einfach abheben.

# Geschwindigkeitskontrolle

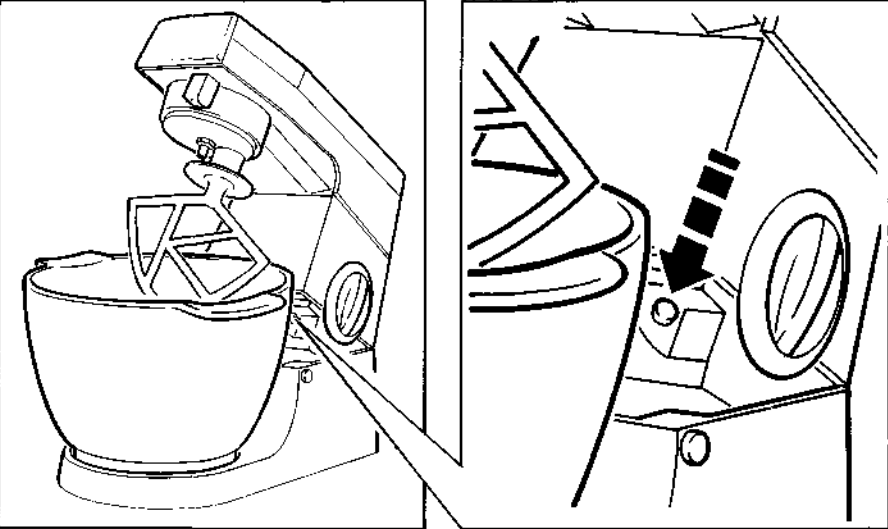


Zur Wahl einer Drehgeschwindigkeit den Regler auf die gewünschte Zahl drehen.

**Bemerkung**

Wenn Ihr Geschwindigkeitsregler die Funktion 'Pulse' (Momentstufe) aufweist, dann können Sie in dieser Reglerstellung den Motor kurz stoßweise betreiben, oder solange Sie den Regler in dieser Stellung festhalten.

# Wichtig



**Bemerkung**

Setzen Sie die Schüssel nie direkter Hitze aus (d.h. nie über oder im Herd trocknen.) Die Schüssel niemals im Mikrowellenherd verwenden.

**Wartung**

Wenn das Kabel dieses Geräts beschädigt ist, sollte es nur von einem zugelassenen KENWOOD Reparaturbetrieb ersetzt werden, da dazu Spezialwerkzeuge erforderlich sind.

Bitte wenden Sie sich an den Händler, bei dem Sie das Gerät gekauft haben.

**Überlastungsschutz (SO FERN IHR GERÄT DAMIT AUSGESTATTET IST)**

Wenn Ihre Küchenmaschine mit einem Überlastungsschutz ausgestattet ist, stellt sich das Gerät automatisch aus, wenn es überladen wurde. Sollte dies der Fall sein, heben Sie das Oberteil der Küchenmaschine an, um den grünen Knopf freizulegen. Lassen Sie die Küchenmaschine einige Minuten stehen, und drücken Sie dann den Knopf, um mit dem Mixen fortzufahren.

**Wartung**

Die Schüssel, der Schneebesen, das 'K'-Werkzeug und der Kneithaken können in warmer Lauge gewaschen werden. Das Gehäuse braucht nur mit einem feuchten Tuch abgewischt zu werden. Schalten Sie immer nach Betrieb aus und ziehen Sie den Netzstecker. Verwenden Sie nie Scheuermittel und halten Sie das Gerät nie unter Wasser. Nach dem ersten Betrieb und Einlaufen kann an den Abtriebswellen 2 und 4 (vgl. S. 2) Schmiermittel austreten, das Sie abwischen können. Der Schmiermittelaustritt ist für das Funktionieren Ihres Geräts ohne

**Gebrauch der Zubehörteile**

Hände von den sich drehenden Messerschneiden fernhalten. Nicht mehr als ein Zubehörteil zur Zeit verwenden.

# Allgemeine Hinweise

Verwenden Sie

- den Schneebesen für Eier, Schlagsahne, Eierteig, Schaumgebäck, Baisers, Käsekuchen, Mousées, Soufflés usw.
- das 'K'-Werkzeug für Kuchen, Biskuitteig, Mürbegebäck, Zuckerglasur, Füllungen, Kartoffelbrei, Tortenteig, Eclairs.
- den Knethaken für Hefeteige.

Mit dem Stufenregler stehen alle Geschwindigkeitsstufen zur Verfügung, die für verschiedene Zutaten und Mengen benötigt werden. Im allgemeinen werden folgende Geschwindigkeiten empfohlen:

**Schneebesen:** Schrittweise bis zur höchsten Stufe schalten. Sollte der Inhalt überspritzen, die Geschwindigkeit reduzieren.

**'K'-Werkzeug:** Fett und Zucker auf niedriger Stufe cremig rühren und schrittweise auf mittlere Geschwindigkeit erhöhen. Bei sehr kleinen Mengen empfiehlt es sich, auf niedriger Stufe zu bleiben. Fett, Zucker und Eier benötigen mittlere bis hohe Geschwindigkeiten, Mehl, Früchte usw. Auf niedriger Stufe in den Teig arbeiten. Der Teig sollte dabei nicht übermäßig gerührt werden.

Biskuitteig benötigt mittlere Geschwindigkeit, Fett sollte dagegen langsam in Mehl geknetet werden.

**Knethaken:** Mit Stufe 1 beginnen und langsam auf Stufe 2 erhöhen.

## WICHTIG

- Um optimale Ergebnisse zu erzielen, sollte das Wasser eine Temperatur von 43°C haben. Dies kann mit Hilfe eines Thermometers kontrolliert werden oder läßt sich erreichen, indem 2 Teile kaltes Wasser mit einem Teil kochendem Wasser gemischt werden.
- Sollte das Gerät beim Kneten eines festen Teiges anfangen mühsam zu arbeiten, empfehlen wir, den Teig in zwei Hälften zu teilen und diese nacheinander zu verarbeiten.
- Verschiedene Teigarten können sehr unterschiedliche Mengen an Wasser benötigen, und die Klebrigkeit des Teiges hat erheblichen Einfluß darauf, wieviel Kraft die Maschine aufwenden muß. Wir raten Ihnen daher dringend, sich an die vorgegebenen Mengenangaben zu halten und das Gerät während der Teigverarbeitung nicht unbeobachtet zu lassen.

# Rezepte

## Sonnenblumenbrot

### Zutaten

- 4 Würfel Hefe
- ¼ l lauwarmes Wasser
- 1 l warmes Wasser
- 20 dag Topfen (20%)
- 8 gestrichene Teelöffel Salz
- 2 gestrichene Teelöffel Korander gemahlen
- 1,5 kg Roggenmehl
- ½ kg Roggenvollkornschrot
- 8 Eßl. Sonnenblumenkerne geschält

### Zubereitung:

Die Hefe, ¼ lauwarmes Wasser in der Schüssel glatrühren, Topfen und 1 l warmes Wasser dazugeben und verrühren. Salz, Korander, Roggenmehl, Roggenvollkornschrot und Sonnenblumenkerne dazugeben und abschlagen bis sich der Teigballen von der Schüssel löst.

Den Teig zugedeckt ca 90 Min. an warmen Ort ruhen lassen. Danach nochmals durchkneten und zwei runde Laibe daraus formen.

Auf ein mit Backpapier ausgelegtes Backblech setzen und zugedeckt nochmals 1 Stunde gehen lassen.

Den Ofen auf 200°C vorheizen, den Teiglaib einige Male mit einer Gabel einstechen; das Backblech auf der Mittelschiene einschieben und 1 Tasse Wasser auf den Ofenboden gießen; die Tür sofort schließen.

Nach 30 min. 1 Schale kochendes Wasser auf den Herdboden stellen und noch 45 Min. fertigbacken.

## Weißbrot

- 3 lb/1350g Weiß-Mehl
- 3 gstr. TL Salz
- 1 oz/25g frische Hefe oder
- ½ oz/15g or 20 ml getrocknete Hefe
- 1 tsp/5ml Zucker
- 1 ½ pts/750 ml warmes Wasser
- 1 oz/25g Schweineschmalz

### Trockenhefe:

Trockenhefe in warmes Wasser streuen, Zucker hinzufügen und ca. 10 Minuten stehen lassen, bis die Mischung schaumig ist.

### Frische hefe:

Hefe in das Mehl Krümeln und Zucker hinzufügen.

Für den Teig Schweineschmalz, Mehl und Salz mit der Flüssigkeit ca. 45 bis 60 sek. auf Stufe 1 kneten, danach auf Stufe 2 erhöhen, bis sich die Zutaten gut vermischt haben. Gegebenenfalls etwas Mehl hinzufügen.

Weitere 2 Minuten auf Stufe 2 kneten, bis der Teig weich und elastisch ist und sich vom Schüsselrand löst.

Der Teig muß an einem warmen Platz etwa 1 bis 1 ½ Stunden gehen. Danach weitere 2 Minuten auf Stufe 1 kneten. In eine gefettete Backform füllen (ausreichend für 450g - die Form sollte nur zur Hälfte gefüllt sein), mit einem Tuch bedecken und nochmals solange gehen lassen, bis der Teig sich verdoppelt hat.

Backzeit bei 230 Grad ca. 30-35 Minuten. Das Brot ist gut durchgebacken, wenn es beim Abklopfen der Unterseite hohl klingt.

### Hinweise

- Beste Ergebnisse lassen sich mit Spezialmehl erzielen, wenngleich auch einfaches verwendbar ist, falls nur dieses vorhanden ist.
- Ein Anwärmen des Geschirrs oder das Gehenlassen des Teigs an warmem Ort ist zwar nicht notwendig, beschleunigt aber das Aufgehen der Hefe.

### Vollkornbrot

Rezept wie für Weißbrot; jedoch 450g Weiß-mehl mit 900g Vollkornmehl mischen.

## Festlicher Fruchtekuchen

- 8 oz/200g Butter
- 8 oz/200g brauner Zucker
- 1 tbsp/20 ml schwarzer Sirup
- geriebene Schale einer Zitrone oder Orange
- 4 Eier
- 250g Weißmehl
- ¼ TL Muskatnuß
- ¼ TL Zimt
- ¼ TL Kuchen-Gewürzmischung
- ¼ TL Salz
- 2 EL Brantwein, Rum oder Sherry
- 1 ½ lb/600g Trockenfrüchte (gemischt)
- 2 oz/50g gehackte Mandeln

Butter, Zucker, Sirup und geriebene Zitronen-oder Orangenschale in der Schüssel bei Stufe 3-4 verrühren; die Geschwindigkeit erhöhen, sobald sich die Zutaten gut vermischt haben und weiter rühren, bis die Mischung locker und schaumig ist. Die Masse vom Knethaken und Schüsselrand in die Mitte der Schüssel schaben und die Eier einzeln hineinrühren - darauf achten, daß jedes Ei sich mit dem Teig verbunden hat, bevor das nächste hinzugefügt wird.

Auf niedrigster Stufe das Mehl in die Mischung rühren, danach Früchte und Mandeln zugeben. Den Teig in eine gefettete, mit Papier ausgelegte, runde Kuchenform füllen und eine Stunde bei 150 Grad backen; danach die Hitze auf 140 Grad reduzieren und den Kuchen weitere 2 ¼ Stunden backen.

Nachdem der Kuchen abgekühlt ist, aus der Form nehmen und mit der Unterseite nach oben auf eine Platte legen. Mit einer Stricknadel Löcher in den Kuchen stechen und mit dem Alkohol beträufeln. Sobald dieser eingezogen ist, den Kuchen in Backpapier oder Plastikfolie wickeln und luftdicht aufbewahren.

### Hinweise:

- Benutzen Sie den beigefügt Teigschaber, um die Zutaten vom Schüsselrand zu schaben.
- Falls die Butter keine Raumtemperatur hat, in die Rührschüssel heißes Wasser füllen und das 'K'-Werkzeug während der vorbereitenden Arbeiten darin stehen lassen. Vor Gebrauch gründlich trocknen.
- Beginnen Sie den Rührvorgang auf niedriger Stufe - bis sich die Zutaten vermischt haben. Erhöhen Sie dann die Geschwindigkeit, achten Sie aber darauf, daß die Mischung nicht zu sehr an den Schüsselrand geworfen wird, da dies den Mischvorgang beeinträchtigen würde. Größere Mengen erlauben höhere Geschwindigkeiten.
- Mehl und Früchte langsam in den Teig rüh-



## Viktoria Sandwich Kuchen

6 oz/150g Margarine  
6 oz/150g sehr feiner Zucker  
3 Eier  
6 oz/150g Weißmehl  
Marmelade  
Puderzucker



Fett und Zucker auf Stufe 3-4 cremig rühren, danach die Geschwindigkeit erhöhen, bis die Mischung schaumig wird. Die Masse vom Knehtaken und Schüsselrand in die Mitte der Schüssel schaben und die Eier auf höchster Stufe einzeln hineinrühren. Darauf achten, daß jedes Ei sich mit dem Teig verbunden hat, bevor das nächste hinzugefügt wird. Das Mehl vorsichtig bei niedrigster Stufe unterrühren.

Den Teig auf 2 eingefettete, mit Papier ausgelegte flache Backformen (Durchmesser 18 cm) streichen und bei 190 Grad 20-30 Minuten goldgelb backen. Der Kuchen ist gar, wenn er bei Auflegen der flachen Hand leicht federt. Zum Auskühlen auf einen Kuchenrost legen, einen der Böden mit Marmelade bestreichen, den anderen darüber legen und den fertigen Kuchen mit Puderzucker bestäuben.

### Hinweise:

- Für alle Teige, bei denen alle Zutaten zusammen gerührt werden, weiche Margarine aus dem Kühlschrank verwenden, hingegen Blockmargarine mit Raumtemperatur für alle schaumig zu rührenden Teige.
- Falls die Margarine zu fest ist, um sich gut verarbeiten zu lassen, heißes Wasser in die Rührschüssel füllen und den 'K'-Werkzeug einige Minuten darin stehen lassen. Vor Gebrauch gründlich trocknen.
- Wenn das Rührwerkzeug nicht fast bis zum Boden der Schüssel reicht, ist die Einrichtung des Werkzeugs zu überprüfen (Siehe 2.4).
- Den Rührvorgang auf niedriger Stufe beginnen, bis sich die Zutaten vermischt haben. Dann die Geschwindigkeit erhöhen. Achten Sie darauf, daß die Mischung nicht zu sehr an den Schüsselrand geworfen wird, da dies den Mischvorgang beeinträchtigen würde. Größere Mengen erlauben höhere Geschwindigkeiten.
- Gelegentlich kann es notwendig sein, den Rührvorgang zu unterbrechen und den Teig mit dem Schaber vom Rand in die Schüsselmitte zu schaben.

## Pasteten-Mürbteig

1 lb/400g Mehl, gesiebt  
1 TL Salz mit  
8 oz/200g kaltes (Margarine und Schweineschmalz gemischt)  
4 TL/80 ml Wasser



Fett in grobe Stücke schneiden und zum Mehl geben. Beides beginnend mit Stufe 1 untereinander kneten, die Geschwindigkeit schrittweise erhöhen, bis die Mischung Krumen bildet. Sollte der Teig Anzeichen von Verschmierung zeigen, die Geschwindigkeit reduzieren.

Wasser hinzufügen und bei niedrigster Stufe vorsichtig unterrühren.  
Backtemperatur: ca. 200 Grad. Sie ist abhängig von der verwendeten Füllung. Wählen Sie die Füllung nach Wunsch.

### Hinweise

- Das Fett sollte gut gekühlt sein.
- Zügig arbeiten und die Zutaten nicht zu stark verrühren.

## Brandteig

2 oz/50g Butter  
¼ pt/125 ml Wasser  
3 oz/75g Weißmehl  
etwas Salz  
2 Eier

Butter und Wasser zum Kochen bringen, den Topf vom Herd nehmen und das gesiebte Mehl sowie Salz hinzufügen. Bei leichter Hitze einige Minuten gut rühren, bis die Mischung sich vom Topfboden löst und eine Art Ball formt. Leicht abkühlen lassen und den Teig dann in die Rührschüssel geben. Mit dem 'K'-Werkzeug auf Stufe 2 die Eier portionsweise unterrühren. Danach den Teig nochmals auf höchster Stufe 30-60 Minuten schlagen. Verwenden sie den Teig nach Bedarf (Fettgebackenes, Eclairs, Windbeutel etc).

## Erdbeer Aprikosen Torte

**Biskuit Boden:**  
3 Eier  
3 oz/75g sehr feiner Zucker  
3 oz/75g Weißmehl  
**Füllung und Dekoration:**  
¼ pt/125 ml Schlagrahm  
Zucker nach Wunsch  
8 oz/200g Erdbeeren  
8 oz/200g Aprikosen

Aprikosen halbieren und Steine entfernen. Mit sehr wenig Wasser und etwas Zucker vorsichtig weichkochen. Erdbeeren waschen und halbieren.

Für den Biskuit Boden Eier und Zucker auf höchster Stufe solange schlagen, bis eine helle, creme-artige Masse entstanden ist. Die Schüssel von der Maschine nehmen und vorsichtig mit dem Hand-Schneebesen das Mehl unterheben. Die Mischung in zwei eingefettete, mit Papier ausgelegte flache Backformen (18 cm) geben und bei 180 Grad ca. 20 Minuten backen. Der Kuchen ist gar, wenn er bei Auflegen der flachen Hand leicht federt.

Aus der Backform nehmen und auf einem Kuchenrost auskühlen lassen. Schlagsahne auf höchster Stufe steif schlagen, Zucker nach Geschmack hinzufügen. Aprikosen in grobe Stücke schneiden und zusammen mit einem Drittel der Erdbeeren unter die Hälfte der Schlagsahne heben. Diese Mischung auf einen der Böden streichen und den anderen darauf legen. Die restliche Schlagsahne auf den Kuchen streichen und mit Erdbeerhälften dekorieren.

### Hinweise:

- Um einen lockeren, luftigen Biskuitboden zu erzielen, muß das Mehl sehr vorsichtig unter das Butter-Zucker-Gemisch gehoben werden.

## Gekühlter Zitronen-Käsekuchen



**Biskuit-Boden:**  
8 oz/200g fertige Biskuits  
4oz/100g Butter

**Füllung**  
1 EL Gelatine  
¼ pt/125 ml Wasser  
4 Eier, getrennt nach Eigelb und Eiweiß  
4-6 oz/100-150g sehr feiner Zucker (Menge nach Geschmack)  
3 große Zitronen  
10 oz/250g Schichtkäse oder Quark  
Dekoration mit Früchten und Schlagsahne nach Wunsch

Zum Herstellen von Biskuit-Krumen die Biskuits stückweise in den Mixer geben und bei höchster Stufe zerkleinern. Die Gesamtmenge dabei auf 3 Arbeitsgänge verteilen. Butter in einem Stieltopf schmelzen, die Biskuit-Krumen hinzufügen und gut durchrühren. Die Masse in eine runde Springform geben und leicht andrücken. Kühl stellen.

Eigelb und Zucker mit dem Schneebesen auf höchster Stufe solange schlagen, bis eine cremig-helle Masse entsteht. Den durch ein Sieb gestrichenen Schichtkäse oder Quark hinzugeben und den Teig rühren, bis er glatt ist. Auf Stufe 5 zurückschalten, Saft und geriebene Schale der Zitronen sowie die aufgelöste Gelatine hinzugeben und nochmals gut durchrühren. Den Teig in eine andere Schüssel geben und solange kalt stellen, bis er sich gesetzt hat.

Eiweiß auf höchster Stufe steif schlagen und mit einer Gabel vorsichtig unter die Käsekuchen-Mischung heben. Auf den Biskuit-Boden geben und kühl stellen.

Wenn der Teig sich gesetzt hat, den fertigen Kuchen aus der Form nehmen und nach Wunsch mit Früchten und Schlagsahne verzieren.

## Baisers

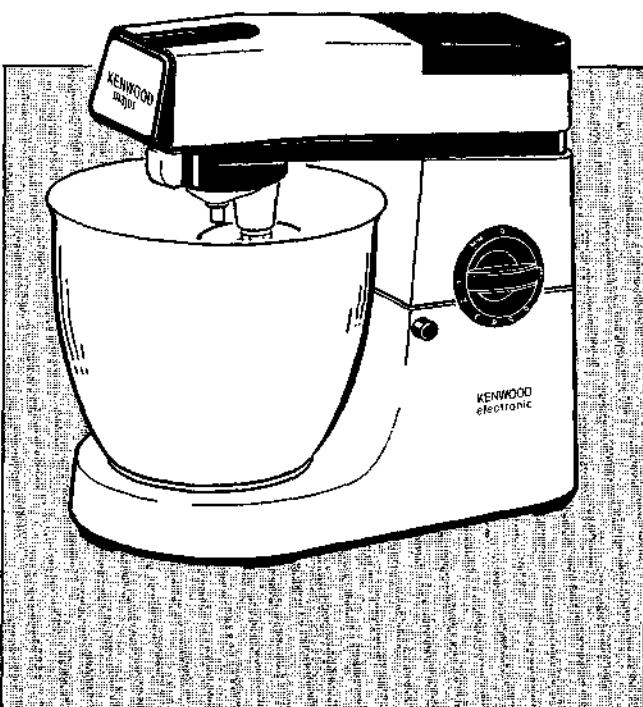
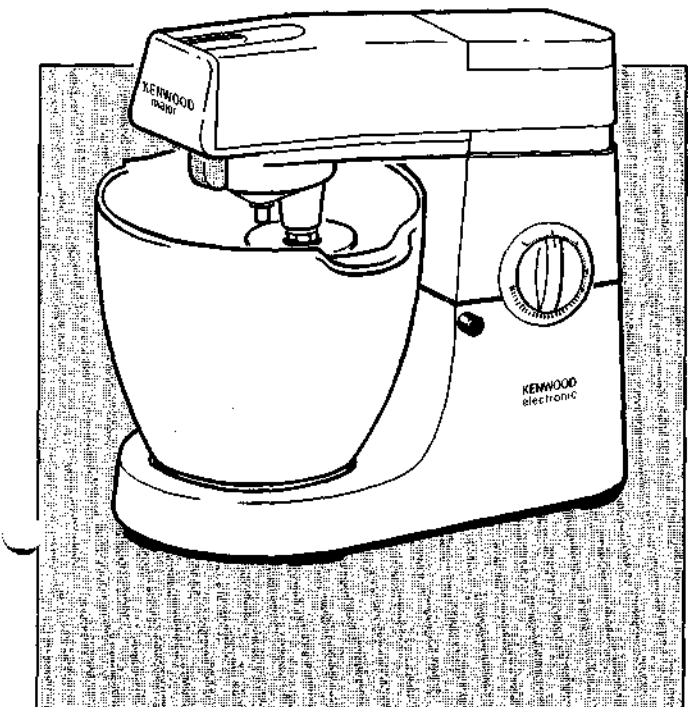
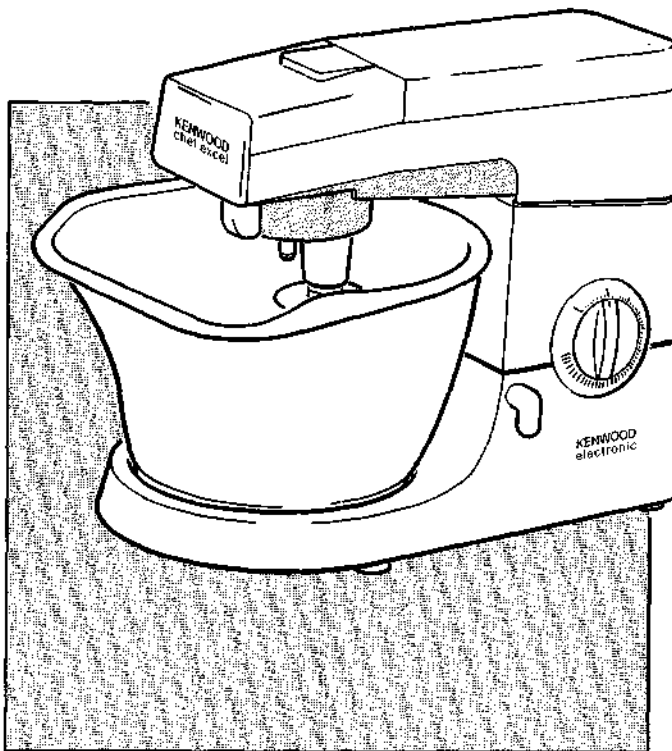
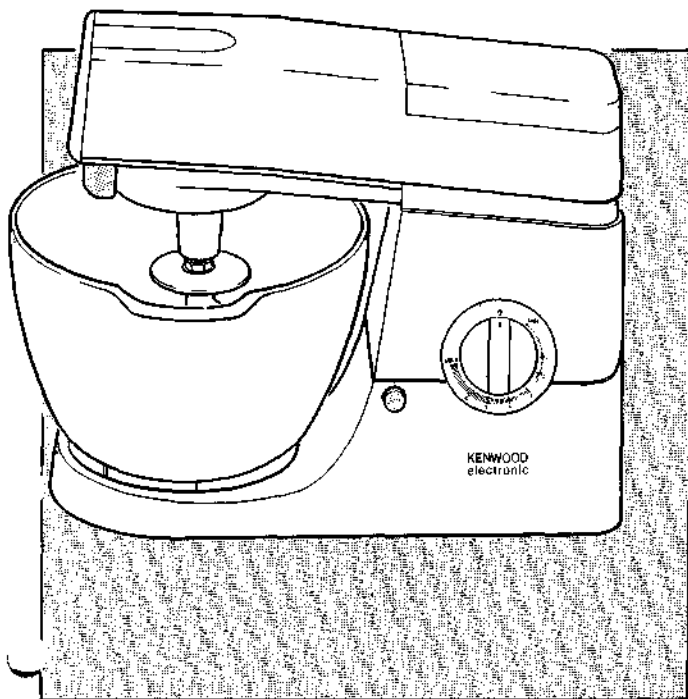
4 Eiweiß  
9 oz/225g gesiebter Puderzucker

Eiweiß und Puderzucker auf höchster Stufe solange schlagen, bis die Masse sehr steif ist (ca. 10 Minuten). Einen Spritzbeutel mit sternförmiger Tülle etwa zur Hälfte mit Baiser-Masse füllen. Die Baisers auf das vorbereitete Backblech spritzen und sehr langsam bei 110 Grad fest werden lassen (ca. 4-5 Stunden).

### Hinweise

- Baisers in luftdichter Dose aufbewahren.
- Sollten die Baisers braun zu werden beginnen, die Ofentür leicht offen halten.





# KENWOOD

## KM200 - KM260

صممت خلّطة الطعام الجديدة، التي تنتجها شركة كينوود، لتجعل عملية إعداد الطعام ممتعة ومشوّقة. ولأجل تحقيق الاستفادة القصوى منها، فمن المفضل الحفاظ عليها في حالة جاهزة للتشغيل على سطح مناسب للعمل في المطبخ، كي يمكن استعمالها كلما اقتضت الحاجة. وهناك مجموعة كبيرة من الأدوات الملحقة التي يمكن استخدامها مع الخلطة لتوسيع أفق المتعة المجنية منها وزيادة بهجة الطبخ. (يرجى الملاحظة ان بعض الأدوات الملحقة مخصصة لأسواق عالمية معينة بون غيرها).

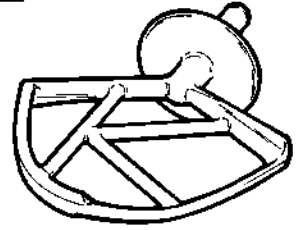
### التوصيل بمأخذ الطاقة الكهربائية

قبل وصل الطاقة الكهربائية الى الخلطة، يجب التأكد من أن فولطية (فرق جهد) المأخذ الكهربائي مطابقة للفولطية المبينة على لوحة المعايرة للخلطة.

مهم: إن أسلاك الكابل الكهربائي للخلطة ملونة وفق المفهوم التالي:

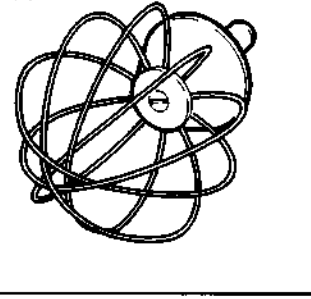
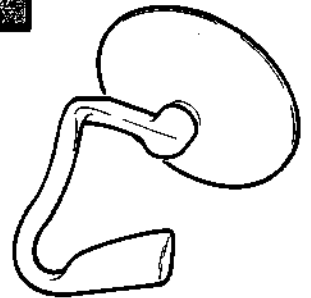
أزرق = حيادي (لا يحتوي على كهرباء) بني = حي (يحتوي على كهرباء)

ونظراً لأن ألوان أسلاك الكابل الكهربائي للخلطة قد لا تتطابق مع إشارات الألمان التي تحدد هوية أطراف التوصيل الموجودة في قابس التوصيل بالمأخذ الكهربائي، لذا يجب اتباع الخطوات التالية:  
يجب توصيل السلك الأزرق بطرف التوصيل المؤشر بحرف (N) أو الملون بلون أسود. ويجب توصيل السلك البني بطرف التوصيل المؤشر بحرف (L) أو الملون بلون أحمر.  
ولا يجوز إجراء التوصيل بطرف التوصيل الأرضي لقابس ذي ثلاثة أصابع.



### مفتاح الرموز:

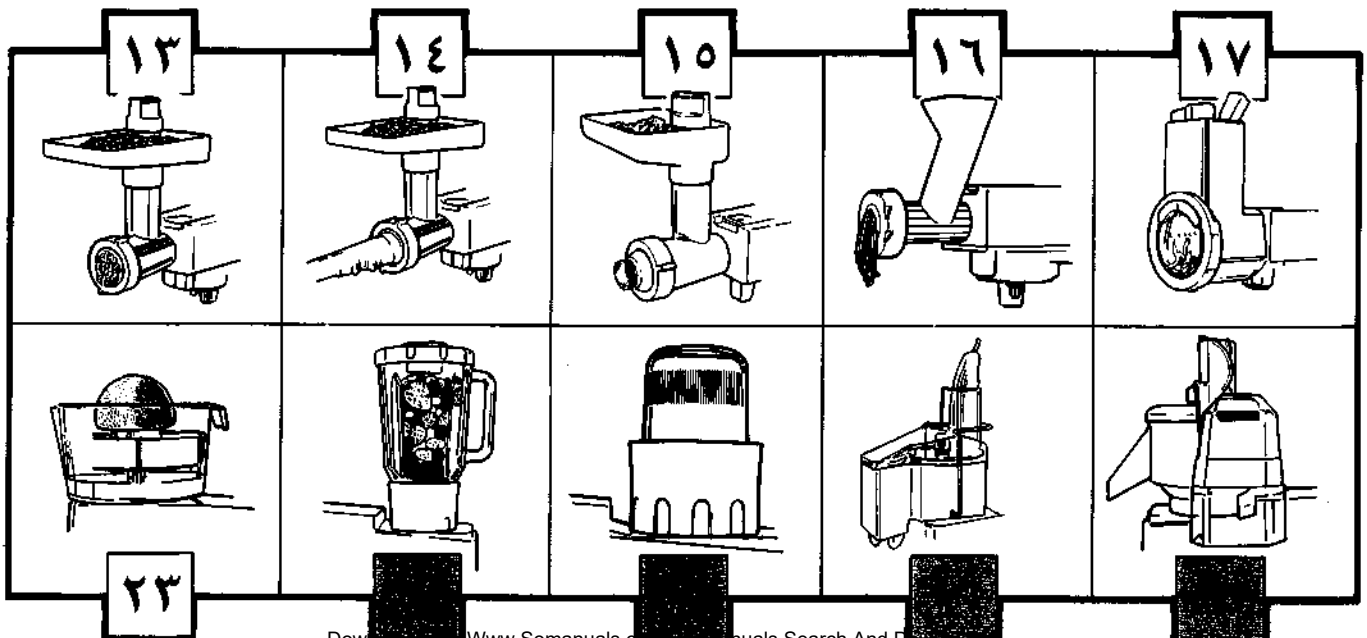
- ١ مشغل كوكبي/ تجويف المضرب
- ٢ فوهة الخروج للسرعة البطيئة
- ٣ مزلاج القفل للسرعة البطيئة
- ٤ فوهة الخروج للعصارة
- ٥ فوهة الخروج للسرعة العالية
- ٦ مفتاح الوصل/ القطع وضبط السرعة
- ٧ البدين
- ٨ مزلاج تحرير رأس الخلطة
- ٩ طاسة
- ١٠ مضرب «K»
- ١١ خفاف العجينة
- ١٢ مخففة
- ١٣ مفرمة
- ١٤ المهابيه الخاص بالسجق
- ١٥ صانع الكبة
- ١٦ مستخلص معكرونة الباستا
- ١٧ وحدة التثريب/التمزيق الطولي للسرعة البطيئة
- ١٨ مطحنة البن
- ١٩ طاخونة الحبوب
- ٢٠ صانع القشدة
- ٢١ مفتاح اللعب
- ٢٢ مشرحة الفاصوليا وتشور الشام



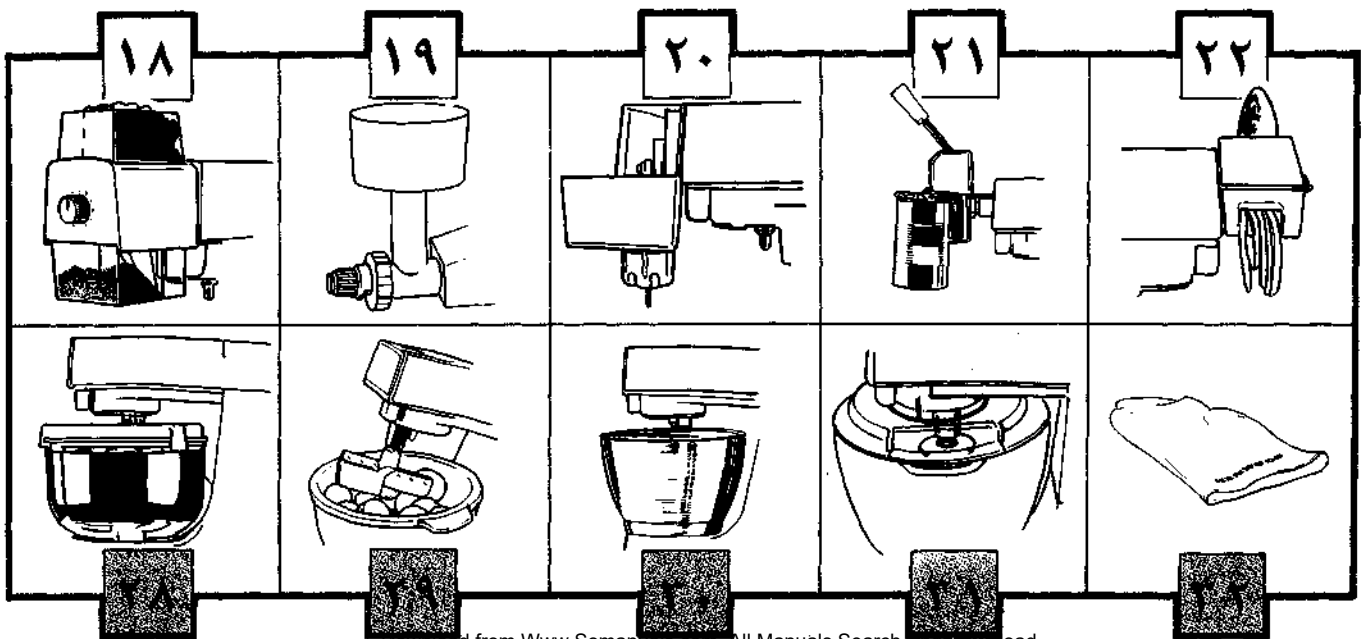
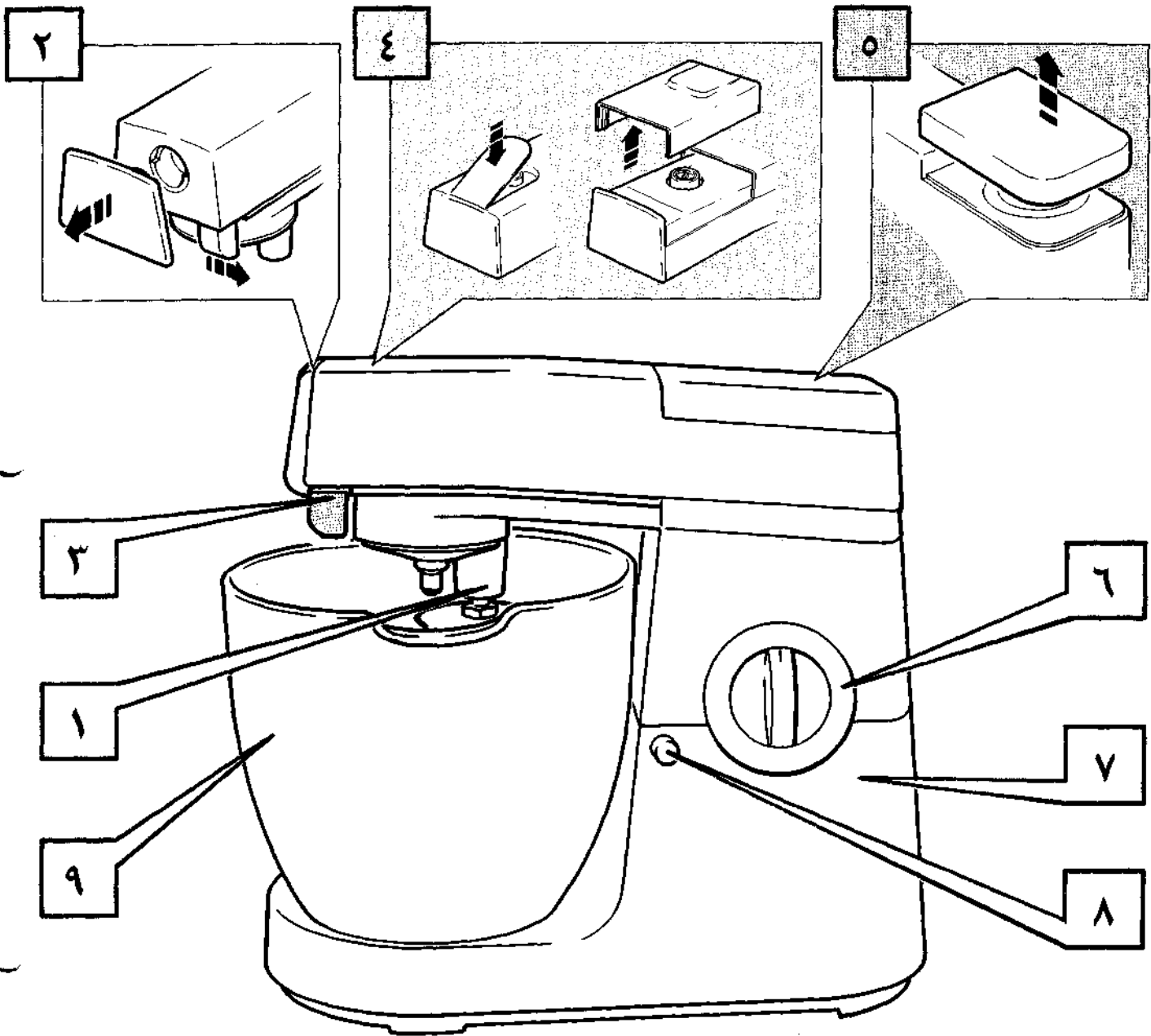
الطراز	٢٣ عصارة
٩٩٥١	٢٤ مُسبِلة
٩٩٠١/٩٨٩١	٢٥ طاخونة التوابل
٩٣٨١	٢٦ وحدة التثريب/التمزيق الطولي للسرعة العالية
٩٢٩١	٢٧ فاصلة عصير مستمرة
٩٣٥١	٢٨ مقشرة بطاطس (للماكنات "شيف")
٩٢٤١	٢٩ مقشرة بطاطس (للماكنات "ميجور")
٩٥٢	٣٠ مصفاة ومنخل
٩٩٢	٣١ (للماكنات "شيف" ذات الأوعية المستديرة)
٩٣٠	٣٢ مصفاة ومنخل (للماكنات "ميجور")
١٨٧٤٩	٣٣ وعاء من الفولاذ المقاوم للصدأ (للماكنات "شيف")
١٨٧٤٨	٣٤ وعاء من الفولاذ المقاوم للصدأ (للماكنات "ميجور")
٣١٢٢٧	٣٥ أداة واقية من الترشش (للماكنات "شيف" و"ميجور" ذات الأوعية المستديرة)
٣٠٣٣٨	٣٦ (للماكنات "شيف" ذات الأوعية)
٢٩٠٢٢	٣٧ بشكل الحرف "D" (للماكنات "شيف")
	٣٨ غطاء (للماكنات "شيف")

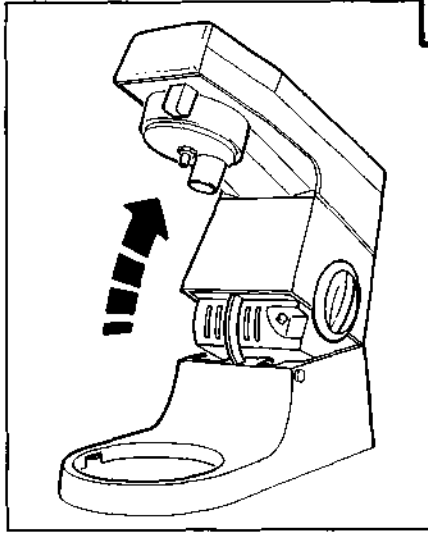
ولتسهيل الإشارة، فقد لونت فوهات الخروج للأدوات الملحقة بألوان رمزية.

ملاحظة مهمة: تطابق هذه الاداة متطلبات أمر دول السوق الأوروبية المشتركة الخاص بالتداخل اللاسلكي والمرقم ٨٢/٤٩٩/٩٩/٩٩ سي.

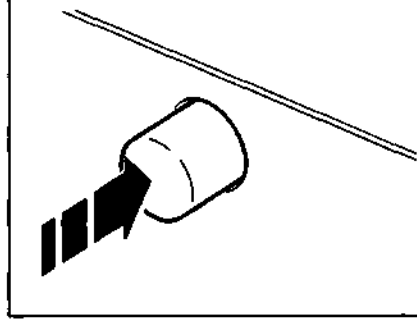


# خلاطة الطعام والأدوات الملحقة بها

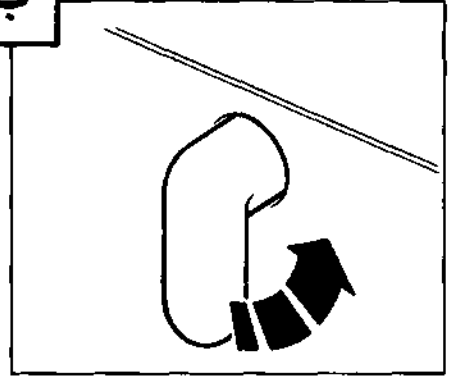




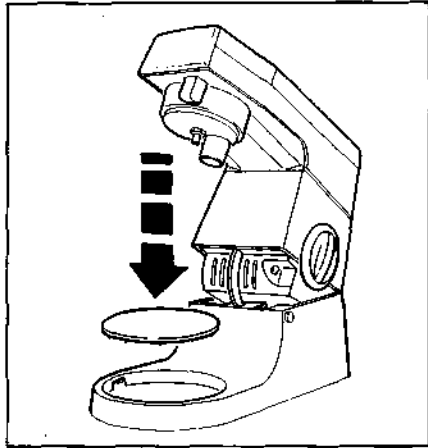
أ



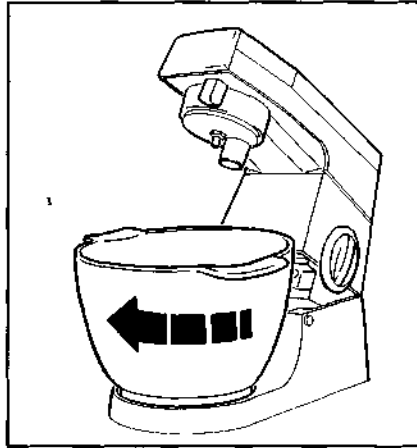
ب



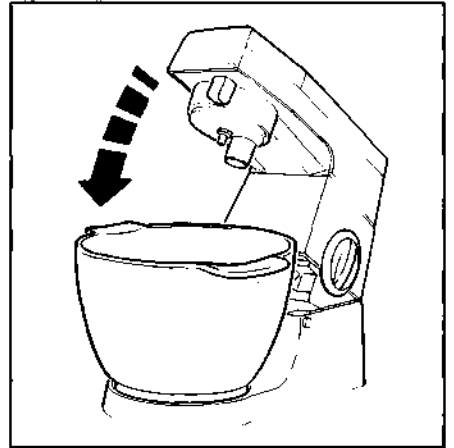
إرفع رأس الخلاطة بالضغط على مزلاج التحرير ذي الزر الانضغاطي (أ)، أو بتدوير المزلاج بعكس اتجاه دوران عقربي الساعة (ب). إرفع الرأس حتى ينقل في الوضع المفتوح. (استعمل هذا الوضع عند تركيب الطاسة، والخففة، وخطاف العجينة، والمضرب «K»، ومقشرة البطاطس، والمصفاة والمنخل).



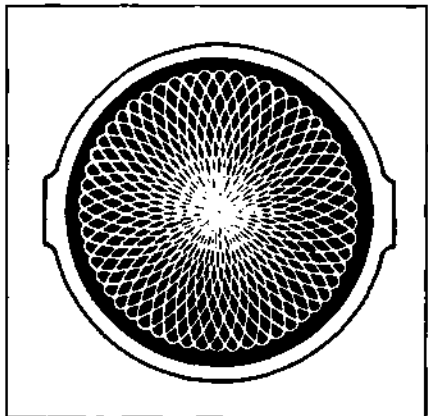
ركب اللوحة اللدنة (البلاستيكية) في التجويف، على أن تكون أضلاعها متجهة نحو الأسفل.



ضع الطاسة في التجويف، معشّقاً العروات في شقوق الحربة في قاعدة الطاسة، ثم اضغط على الطاسة وأدبرها باتجاه دوران عقربي الساعة حتى تنقل. (عكس العملية عند إزالة الطاسة من مكانها).



أخفض الرأس بالضغط على مزلاج التحرير ذي الزر الانضغاطي (أ)، أو بتدوير المزلاج بعكس اتجاه دوران عقربي الساعة (ب) ثم ادفع الرأس بثبات نحو الأسفل حتى ينقل في الموضع الملقق.



### الحركة الكوكبية

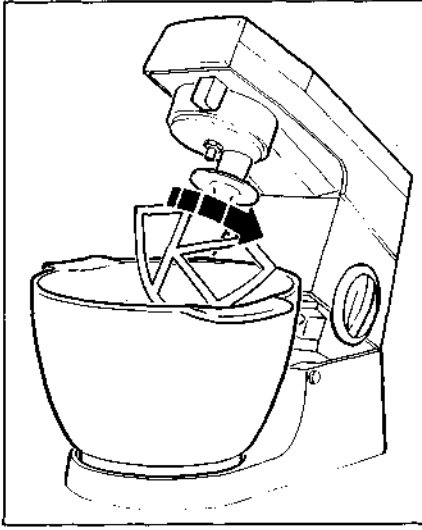
تعمل خلاطة كينوبود بحركة كوكبية تضمن امتزاج جميع أجزاء الخليط امتزاجاً تاماً.

### المقادير القصوى

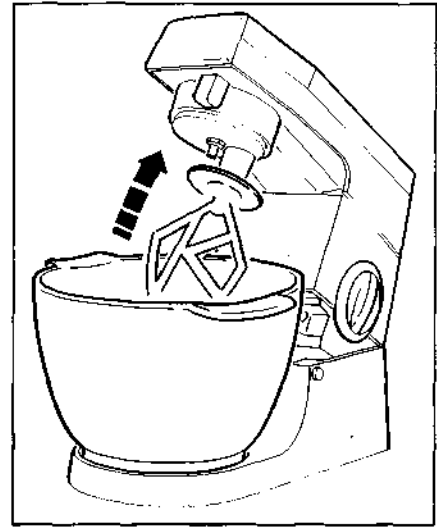
لأجل ضمان الحصول على أفضل النتائج، لا يجوز تجاوز المقادير التالية الموصى بالتقيد بها:

طراز: ك م ٢٠١، ك م ٢١٠ و ك م ٢٢٠	طراز: ك م ٢٣٠ و ك م ٢٥٠	بياض البيض: - حد أدنى
٦٨٠ غم من الطحين	٩١٠ غم من الطحين	- حد أقصى
١.٣٦ كغم من الطحين	١.٣٦ كغم من الطحين	
٢.٧٢ كغم	٤.٠٠ كغم	
الوزن الاجمالي للمكونات	الوزن الاجمالي للمكونات	
١٢	١٦	

## تركيب الطاسة والأدوات الملحقة (تتمة ...)



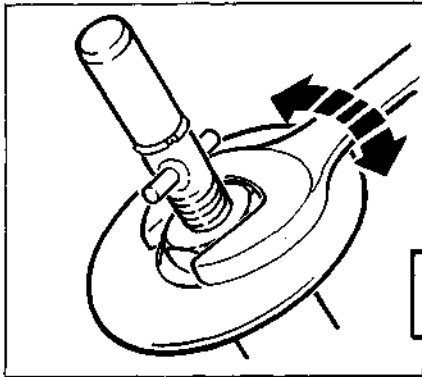
لتركيب الادوات الملحقة في تجويف المضرب، يجب رفع رأس الخلاطة وتنزيل الاداة الملحقة برفق في فوهة الخروج، ثم تدويرها ببطئ في الاتجاه المبين في الشكل حتى تتخذ الوضع المقرر لها. اضغط على الاداة الملحقة وبيئات نحو الأعلى حتى تثبت الاداة في مكانها بإطلاق صوت طقطقة. ولأجل إزالة الاداة الملحقة من مكانها، أدرها باتجاه دوران عقربي الساعة حتى تصبغ في وضع طليق صالح للسحب.



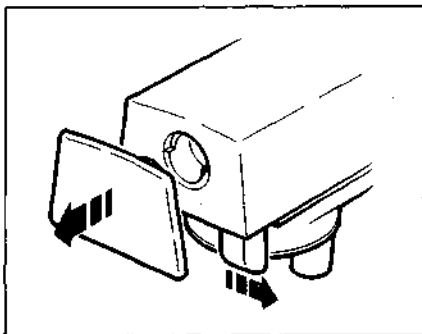
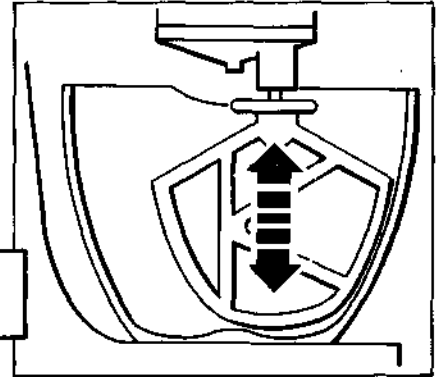
ملاحظة:

ضبط كل من المضرب «K» والمخففة في المصنع ضبطاً صحيحاً، وهما لا يتطلبان أي ضبط إضافي. وإذا أصبح الضبط ضرورياً لأي سبب من الأسباب، فاتباع الخطوات التالية لإجرائه:

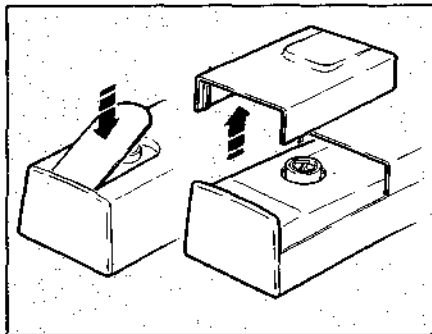
- ١ - اقطع الإمداد الكهربائي عن الخلاطة.
- ٢ - ارفع رأس الخلاطة وأدخل الاداة الملحقة (المضرب/المخففة) المراد ضبطها.
- ٣ - إمسك الاداة الملحقة وقم بإرخاء الصمولة بواسطة مفتاح صواميل مناسب (ج).
- ٤ - أخفض رأس الخلاطة وقم بتدوير الاداة الملحقة الى أعلى أو أسفل عمود الدوران (د). ولتحقيق أفضل النتائج، يجب ان يكون المضرب/المخففة في أقرب مكان ممكن من قاعدة الطاسة.
- ٥ - ارفع رأس الخلاطة، ثم امسك الاداة الملحقة واحكم شد الصامولة.



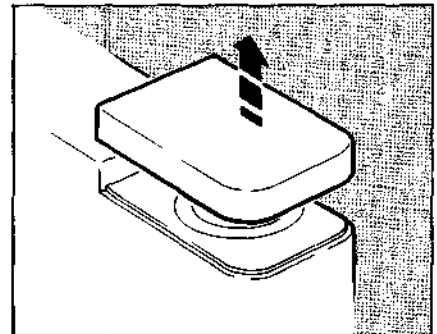
تلميح:  
إذا اصطدم المضرب «K» بالطاسة أثناء عمل الخلاطة، دل ذلك على ان موضع ضبطه هو أدنى من المطلوب.



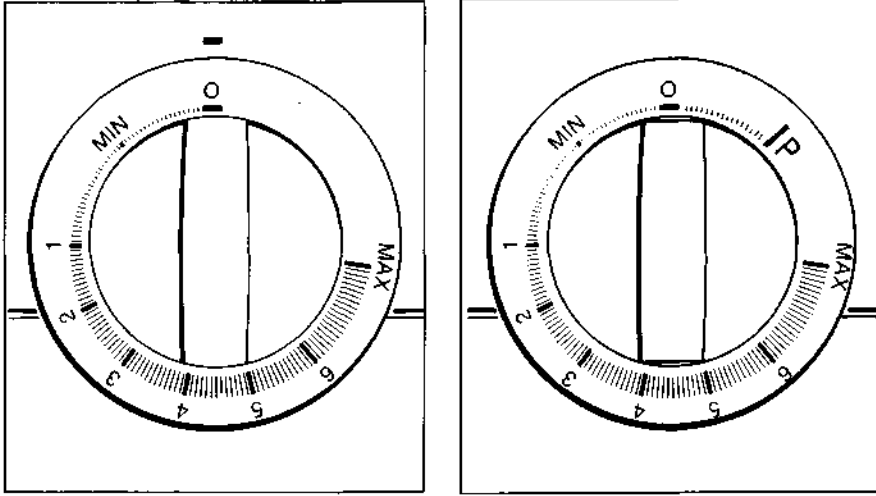
لأجل إزالة غطاء فوهة الخروج للسرعة الطبيعية من مكانه، إسحب نحو الجانب، مزلاج القفل ثم انتزع الغطاء.



يستخرج غطاء فوهة الخروج للعصارة من مكانه إما بالضغط عليه ثم رفعه طليقاً، أو بمجرد رفعه طليقاً. وإن كانت هناك سدادة بلاستيكية مركبة، يجب فكها أولاً قبل تركيب الاداة الملحقة.

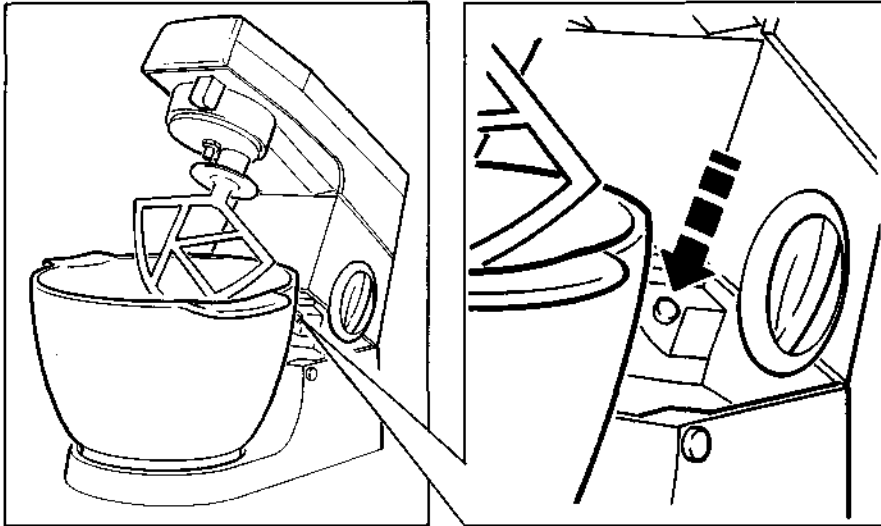


يرفع غطاء فوهة الخروج للسرعة العالية بمجرد رفعه طليقاً من مكانه.



#### ملاحظة:

إذا كان ضابط سرعة الخلاطة مزوداً بموقع نبض «أ»، فإن تدوير الضابط إليه سيوفر دقاً سريعاً للطاقة الكهربائية. وسيستمر «النبض» في حالة عمل طيلة الاحتفاظ بالضابط في هذا الموقع.



#### ملاحظة

لا يجوز تعريض الطاسة لحرارة مباشرة (أي لا تحاول تجفيفها فوق جهاز طبخ أو في فرن). لا تستخدم الطاسة في جهاز الطبخ العامل بأشعة الميكروويف.

#### خدمات الصيانة

في حالة إصابة الماكينة بعمل، فاتصل بانوكيل المحلي طلباً للمساعدة.

لا يتطلب ضبط السرعة سوى تدوير الضابط الى الرقم المطلوب.

#### استعمال الملحقات

ابتعد الايدي عن الشفرات الدوارة لا تستخدم أكثر من ملحقة واحدة في كل مرة.

#### الوقاية من تجاوز الحمل (ان كانت مركبة)

ان كان الخلط مزوداً ببنبيطة للوقاية من تجاوز الحمل، فإنه سيتوقف اوتوماتيكياً اذا تجاوز الحمل. وعندما يحدث ذلك، ارفع رأس الخلط لتكشف الزر الاخضر. دع الخلط يقف لبضع دقائق ثم اضغط على الزر لمواصلة الخلط.

#### العناية

يمكن غسل الطاسة والمخفقة والمضرب «K» وخطاف العجينة في مياه كثيرة الرغوة، علماً بأن الخلاطة لا تتطلب سوى المسح بقطعة قماش مبللة. وفي مثل هذه الاحوال، يجب دائماً قطع التيار الكهربائي وأخراج القابس من نقطة المأخذ الكهربائي. ولا يجوز أبداً استخدام مواد كاشطة في التنظيف، ولا وضع الخلاطة في الماء. ومن الجائز، بعد الاستعمال الأولي للخلاطة، ان تظهر كمية قليلة من الشحم عند فوهتي الخروج (٢) و (٤) (راجع الصفحة ٢). ولا ضرر في ذلك، فهو لن يؤثر على أداء الخلاطة. إمسحه ثم واصل العمل.

## معلومات عامة

تستخدم المحففة لطرق البيض، والقشدة، وعجينة الدقيق والبيض والحليب، والمرنغ (مزيج السكر وبياض البيض)، وكعك الجبنة، والموسيه (حلوى القشدة والبيض) والسوفليه (النفخة المكونة من بيض مخفوق) وغيرها.

يستخدم المضرب «K» في إعداد الكعك، والبسكويت، والفطيرة، وطبقة تغطية سطح الكعك، والحشوة، والبطاطس المهروسة، والفاتوه (كعك قشدي كبير)، والإصبعية (ضرب من الحلوى).

يستخدم خطاف العجينة في إعداد أطباق المزيج المختمر.

يمنح ضابط السرعة نطاقاً متنوعاً من السرعات التي يجب اختيارها وفق نوع المقومات وكمياتها. وعموماً، توصي باتباع السرعات التالية:

### المحففة

ينبغي زيادة السرعة تدريجياً لحين بلوغ السرعة القصوى. وإذا بدأ المزيج بالترشش، ينبغي تخفيض السرعة. بالنسبة إلى القشدة والسمن والسكر، يستعمل العمل بسرعة بطيئة ثم ترفع تدريجياً إلى سرعة متوسطة، على أن يتم الحفاظ على سرعة بطيئة للكميات الصغيرة جداً. ويخفق السمن والسكر والبيض في سرعة متوسطة إلى عالية، بينما يخفق الطحين والفواكه وغيرها في سرعة بطيئة. ولا يجوز زيادة المزيج في هذه المرحلة.

يمزج البسكويت في سرعة متوسطة .

يتم فرك السمن في الطحين في سرعة بطيئة.

خطاف العجينة يستعمل العمل في السرعة ١ ثم تزداد تدريجياً إلى ٢.

## وصفات اعداد الطعام

### الخبز الابيض

١٢٥٠غم طحين قوي عادي

١٥ مليلتر (٣ ملاعق شاي) ملح

٢٥ غم خميرة طرية او

١٥ غم او ٢٠ مليلتر خميرة مجففة

٥ مليلتر (ملعقة شاي واحدة) سكر

٧٥٠ مليلتر ماء دافىء.

٢٥ غم دهن.

### الخميرة المجففة

انثر الخميرة المجففة في الماء الدافىء، وخذف السكر إليهما، ثم دع المزيج في هذه الحال لعشر دقائق تقريباً أو حتى يصبح مزبداً.

### الخميرة الطرية

فقت الخميرة في الطحين وخذف السكر.

تأكد من وجود السائل بأجمعه في الطاسة، ثم خذف الدهن والطحين والملح. اعجن المزيج لحوالي ٤٥ ثانية إلى دقيقة واحدة على السرعة.

١، ثم زدها إلى ٢ لحين تكون العجين، مضيفاً كمية قليلة أخرى من الطحين عند اللزوم. اعجن المزيج لحوالي دقيقتين أخريين على السرعة

٢ إلى أن يصبح العجين ناعماً ومرناً ويترك جوانب الطاسة نظيفة.

ضع العجين في كيس من البوليثين للشحوم واتركه في مكان دافىء ليتضاعف حجمه خلال ساعة ونصف الساعة تقريباً. أعد العجين إلى

الطاسة واعجنه ثانية لحوالي دقيقتين على السرعة ١. وزع العجين على أربع صفائح مشحومة ذات رنة ٤٥٠غم، وغطيها حتى

يتضاعف الحجم. يتم الطبخ في درجة حرارة ٢٢٠ م (علامة الغاز ٨) لمدة ٢٠ - ٢٥ دقيقة. وعند انتهاء الطبخ، ينبغي أن يصدر عن الأرفعة صوت وكأنها مجوفة عند طرفها من الأسفل.

### تلميحات مفيدة

● يتم الحصول على أفضل النتائج عند استعمال «طحين قوي» ولكن عند عدم توفره يمكن استعمال طحين عادي.

● إحصاء الأوعية أو تكبير حجم العجين في مكان دافىء لوسمروياً، ولكن ذلك يساعد على زيادة سرعة نمو العجينة.

### الخبز الأسمر

اتبع نفس التعليمات الواردة للخبز الأبيض، مستخدماً ٩٠٠غم من الطحين الأسمر (الكامل) و٤٥٠غم طحين أبيض.

### مهم:

النفخات المختلفة من الطحين تختلف اختلافاً كبيراً من حيث حاجتها إلى السائل، ولزوجة العجين يمكن أن يكون لها أثر بارز على العمل

للسلط على الماكينة. لذا توصي بضرورة الالتزام الدقيق بالكميات

المذكورة وبمراقبة الماكينة أثناء مزج العجين. والعمليّة بأكملها يجب أن لا تستغرق أكثر من ثلاث ساعات ونصف الساعة.

### قطيرة «بترّة نابوليتانا»

#### القاعدة

٢٥ غم خميرة طرية أو ٢٠ مليلتر (٤ ملاعق شاي) خميرة مجففة

زائد ٥ مليلتر (ملعقة شاي واحدة) سكر أبيض مطحون.

٢٥٠ مليلتر ماء دافىء.

٢٥ غم دهن

١٠ مليلتر (ملعقتا شاي) ملح

٤٠٠ غم طحين قوي عادي

#### الإضافات

٤٠٠ غم بصل، مزالة منه القشرة ومفروم

زيت القلي

٨٠٠ غم طماطم، مزالة منها القشرة ومقطعة إلى شرائح.

١٠ - ١٥ مليلتر (٢ - ٣ ملاعق شاي) عشب الأوريغانو لتقوية النكهة

ملح وفلفل

٢٠٠ غم جبنة موزاريلا

١٠٠ غم شرائح سمك الأنشوجة (البلم)

زيتون أسود

يتم إعداد عجين الخبز باتباع الطريقة المذكورة للخبز الأبيض. وبعد أول تضخم في حجم العجين، يجب إعادة عينه ونشره ليشكل قرصين

دائريين قطر كل منهما ٢٠سم، ويضعان على صينية طبخ مناسبة.

إقلي البصل قليلاً خفيفاً في الزيت ثم انثره على قاعدة البترّة ضمن مسافة ٢.٥سم من الحافة. ضع شرائح الطماطم فوق البصل وانثر

عليها عشب الأوريغانو والمنكهات.

اقطع الجبنة إلى شرائح مستخدماً أداة التشريح والتقطيع الطولي

للسرعة العالية، ثم انثرها فوق الطماطم. زين البترّة بشرائح سمك

الأنشوجة والزيتون، ودع البترّة تختمر في هذه الحال لثلاثين دقيقة ثم

اطبخها في فرن مسخن مسبقاً إلى درجة حرارة ٢٢٠م (علامة الغاز

٧)، لحوالي ٢٠ - ٢٥ دقيقة أو إلى أن يكتمل طبخها.

### كعك الفاكهة الدسم

٢٠٠ غم زبدة

٢٠٠ غم سكر اسمر رطب

٢٠ مليلتر (ملعقة طعام واحدة) دبس السكر الأسود

قشرة برتقال أو ليمون محكوكه

٤ بيضات

٢٥٠ غم طحين عادي

١.٢ مليلتر (ربع ملعقة شاي) جوزة الطيب

١.٢ مليلتر (ربع ملعقة شاي) قرفة

١.٢ مليلتر (ربع ملعقة شاي) توابل ممزوجة

١.٢ مليلتر (ربع ملعقة شاي) ملح

٤٠ مليلتر (ملعقتا طعام) براندي أو روم أو شيري

٦٠٠ غم فواكه مجففة ممزوجة

٥٠ غم لوز مفروم

ضع الزبدة والسكر والدبس ومكوكة القشرة في الطاسة، واطرق المزيج على سرعة ٢ - ٤، عاملاً على زيادة السرعة تدريجياً لدى اتحاد

مقومات المزيج. استمر في الطرق إلى أن يصبح المزيج خفيفاً ووزغياً.

ثم اكتشفه إلى أسفل الطاسة والمضرب. خذف البيض، بيضة تلو

الأخرى، مع طرق المزيج بين كل إضافة إلى الدرجة التي يصبح قوامه

فيها ناعماً. خذف الطحين وامزجه في السرعة الدنيا، ثم خذف الفواكه

المجففة واللوز.

ضع المزيج في صفيحة كعك ذات قطر ٢٢ سم، على أن تكون مشحومة

ومبلاة بطبقتين من ورق الصامد للشحم. اطبخ الكعك خلال الساعة

الأولى درجة حرارة ١٥٠م (علامة الغاز ٢)

ثم في درجة حرارة ١٤٠م (علامة الغاز ١) لمدة إضافية تبلغ ساعتين

وربع الساعة.

وعندما يبرد الكعك، أخرجه من الصفيحة، واقليه رأساً على عقب،

عاملاً على وخزه بالسبوح في أماكن عدة وسكب البراندي أو الروم أو

الشيري فيها. وبعد اكتمال التفتيح، لف الكعك في ورق صامد للشحم

أو رقاقة معدنية، ثم ضعه في صفيحة محكمة تمنع تسرب الهواء إليه،

واستعمله حسب الرغبة.

### تلميحات مفيدة

● استخدم الملق (البسط) الموفر لكشط مقومات الكعك عن جوانب

الطاسة.

● استخدم الزبدة في درجة حرارة الغرفة، أو سخن الطاسة بملها

بماء ساخن، تاركاً المضرب «K» فيه أثناء وزن المقومات. جفف جميع

الأجزاء تماماً قبل الاستعمال.

● ابدأ عملية إعداد القشدة في سرعة بطيئة لفسح المجال للمقومات

كي تتحد، ثم زد السرعة ولكن ليس إلى الحد الذي يرمى فيه المزيج

إلى أعلى جذران الطاسة، مسبباً عدم امتزاجه على نحو سليم. من

الممكن استخدام سرعات أعلى عند استعمال كميات أكبر من

المقومات.

● استخدم السرعة البطيئة عند إضافة الطحين والفواكه إلى المزيج.

## شطيرة فيكتوريا

١٥٠ غم مرجرين (سمن صناعي نباتي)  
١٥٠ غم سكر أبيض مطحون  
٣ بيضات  
١٥٠ طحين قوي  
مرجى  
سكر تغذية السطح الحلوي

اخفق المرجرين والسكر في سرعة ٢ - ٤ لحد اتحامهما في قوام قشدي، ثم زد السرعة حتى يصبح المزيج خفيفاً وزغياً. اكتشط أجزاء الخليلق المعلقة على جوانب الطاسة والمضرب، ثم ضف البيض، بيضة تلو الأخرى، مع التشغيل بالسرعة القصوى، في كل إضافة، ليصبح المزيج ذا قوام ناعم. ضف الطحين مع التأكد من مزجه باننى سرعة وللمدة اللازمة لاتحامه مع المزيج.

اطبخ المزيج في صفيحتي شطائر ذات قطر ١٨سم، مشحومتين ومبطنتين، لمدة ٢٠ - ٣٠ دقيقة في درجة حرارة ١٦٠م (علامة الغاز ٥) وذلك حتى تصبح الشطيرة ذهبية اللون وينضج سطحها عاتداً الى مكانه عند لسه بالأصبع القاب محتويات الصفيحتين على سطح سلكي، ودعها تبرد. اجمعهما معاً مع إضافة المرجى ونثر سكر التغليف.

## تلميحَات مفيدة

- استعمل المرجرين الحوضي اللين المأخوذ من التلاجة مباشرة بالنسبة الى الكمكات الشاملة، والمرجرين الكثلي في درجة حرارة الغرفة للكمكات القشدية.
- إذا كان المرجرين صلباً، عند إعداد القشدة، فسفن الطاسة، بملئها بماء ساخن واترك المضرب «K» فيها ليضع دقائق. تخلص من الماء ويجفف الأجزاء جيداً قبل المشروع بالمزج.
- إذا المضرب لم يوفّر المزج في أسفل الطاسة، تأكد من صحة ضبط المضرب (راجع صفحة ٤).
- استهل عملية إعداد القشدة في سرعة بطيئة الى ان تتحد المقومات ثم زد السرعة، ولكن ليس الى الحد الذي يرمى فيه المزيج الى اعلى جوانب الطاسة، مسبباً في عدم امتزاجه على نحو سليم. علماً بأنه يمكن استخدام سرعة اعلى عند استعمال كميات اكبر من المقومات.
- قد يتطلب الامر ايقاف الماكينة احياناً وكشط أجزاء المزيج من جوانب الطاسة بواسطة اللوق الموقر.

## فطيرة ذات القوام الهش والسهل التفتت

٤٠٠ غم طحين (مصفى)  
٥ مليلتر (ملعقة شاي واحدة) ملح (معاً)  
٢٠٠ غم سمن (مزيج من دهن ومرجرين مأخوذ من التلاجة مباشرة)  
٨٠ مليلتر (٤ ملاعق طعام) ماء - تقريباً.

قطع السمن تماماً ثم ضف الى الطحين في الطاسة. امزج المحتويات على السرعة ١، ثم زد السرعة الى ٤ - ٥ الى ان يصبح قوام المزيج مماثلاً لفتات الخبز، على ان يقطع المزج قبل ان يصبح مظهر المزيج شمعي القوام.

ضف الماء وامزج المحتويات في ادنى سرعة ولدة كافية لتوحيدها. تطبخ الفطيرة عادة في درجة حرارة ٢٠٠م (علامة الغاز ٦) ولكن ذلك يعتمد على الحشوة، استعمل الفطيرة حسب الرغبة.

## تلميحَات مفيدة

- استخدم السمن المأخوذ من التلاجة مباشرة.
- تأكد من عدم الإفراط في مزج المحتويات.

## فطيرة «شو» الخفيفة بالبيض

٥٠ غم زبدة  
١٢٥ مليلتر ماء  
٧٥ غم طحين عادي  
مقدار ضئول من الملح  
بيضتان

دع الزبدة تقرب في الماء ثم ارفع الحرارة الى درجة الغليان. أبعث المزيج عن النار وضمف الطحين المصفى والملح ثم امزج المحتويات ليضع دقائق، فوق حرارة خفيفة، بواسطة ملعقة خشبية الى ان تكون العجينة شكلاً كروياً وتصبح جوانب الغلاة نظيفة. دع المزيج يبرد قليلاً ثم ضعه في طاسة الخلاطة. شغل الخلاطة بسرعة ٢، مستخدماً المضرب «K»، ومضيفاً البيض قليلاً قليلاً.

بعد إضافة البيض، زد السرعة الى الحد الأقصى واطرق المحتويات لفترة ٣٠ - ٦٠ ثانية. استعمل الفطيرة حسب الرغبة.

## غاتوه الفراولة والمشمش

### الاسفنج (الكعك الحلى)

٣ بيضات  
٧٥غم سكر أبيض مطحون  
٧٥ غم طحين عادي

### الحشوة والمزجين

١٢٥ مليلتر قشدة مزروجة  
سكر حسب المذاق  
٢٠٠ غم فراولة  
٢٠٠ غم مشمش

اشطر المشمش الى نصفين واستخرج النواة، ثم ابلطه برفق في ماء قليل جداً مع إضافة السكر حسب المذاق، الى ان يصبح ليناً. نظف الفراولة واشطرها الى نصفين.

يتم تكوين «الاسفنج» بطرق البيض والسكر بواسطة المخففة مستخدماً السرعة القصوى، حتى يصبح المزيج سميكاً وشاحب اللون. أخرج الطاسة من الخلاطة، ثم ضف الطحين باعتناء مستخدماً المخففة في اليد. اسكب المزيج في صفيحتي شطائر مشحومتين ومبطنتين، قطر كل منهما ١٨سم، اطبخ المزيج لمدة ٢٠ دقيقة تقريباً في درجة حرارة ١٨٠م (علامة الغاز ٤) حتى ينضج سطح الكعك عاتداً الى مكانه عند لسه بالأصبع. أخرج الكعك من الصفيحتين ودعه يبرد على سطح سلكي. استخدم المخففة لطرق القشدة في سرعة عالية حتى تصبح ديقة القوام ثم ضف السكر حسب الرغبة. اجمع الفرم المشمش وتكث الفراولة وضعهما في نصف القشدة. اجمع شطري الكعك معاً مستخدماً هذه الحشوة بينهما، انشر بقية القشدة على قمة الكعك ثم زين القمة ببقية انصاف الفراولة.

### تلميح مفيد:

- يجب ابداء العناية اللازمة عند إضافة الطحين لضمان الحصول على كعك خفيف مسامي.

## كعك الجبنة والليمون المبرد

قاعدة البسكويت  
٢٠٠ غم بسكويت مكون من طحين كامل (أسمر)  
١٠٠ غم زبدة

### الحشوة

٢٠ مليلتر (ملعقة طعام واحدة) جيلاتين (هلام)  
١٢٥ مليلتر ماء  
٤ بيضات، مفصولة  
١٠٠ - ١٥٠ غم سكر أبيض مطحون (اعتدالاً على النوق)  
٣ ليمونات كبيرة  
٢٥٠ جبنة الخثارة، مصفاة.  
فواكهة وقشدة للتزين (اختيارية)

يتم أولاً تكوين فتات البسكويت بإسقاط قطع البسكويت على الريش الدائرية للمسلة (وهي من الأدوات اللخفة). وينبغي إتتام هذه العملية في دفعتين او ثلاث. دع الزبدة تذوب في مقلاة، ثم ضف اليها فتات البسكويت، وخص المزيج جيداً واسكبه بخفة في صفيحة ذات مشابك نفضية. ودع المزيج يبرد، فيما تقوم بإعداد الحشوة. اعمل على إزالة الجيلاتين في الماء، وذلك في طاسة موضوعة على مقلاة فيها ماء ساخن.

اطرق الجزء الأصفر من البيض والسكر معاً بواسطة المخففة، مستخدماً السرعة القصوى، الى أن يصبح المزيج ذا قوام قشدي شاحب اللون. ضف الجبنة الخثارة الى مزيج البيض وواصل الطرق حتى يصبح المزيج ناعماً. اخفض سرعة الدوران الى ٥ ثم ضف اليه مزيج لعاء الليمون والعصير والجاتين واطرق المحتويات حتى تندمج اللقومات. حول المزيج الى طاسة اخرى وبرده حتى يتم بلوغ نقطة التصلب.

اطرق بياض البيض بواسطة المخففة، مستخدماً السرعة القصوى، حتى يصبح ديق القوام، ثم ضفه باعتناء الى مزيج كعك الجبنة، مستخدماً ملعقة معدنية. اسكب المزيج على القاعدة البسكويتية وبرده حتى يبلغ نقطة التصلب.

ارفع جوانب المشابك النفضية للصفحة، وزين الكعك بالفواكه والقشدة المخفوقة، حسب الرغبة.

## المرنخ

٤ بياضات بيض  
٢٢٥ غم سكر تغذية سطح الكعك (مصفى)

افرش على صواني الخبز طبقة من رُق لا يلتصق. ضف بياض البيض وسكر التغذية في الطاسة واطرفهما بواسطة المخففة، مستخدماً السرعة القصوى لحوالي عشر دقائق.

ركب فوهة تجمدة ذات قطر ٥ سم على كيس انبوبي كبير واملاءه الى نصفه بمزيج المرنخ. ثم اسكب الاشكال على الصواني المعدة.

ضف الصواني في فرن بطىء الاشتعال في درجة حرارة ١١٠م (علامة الغاز ١/٤) حتى تصبح كعكة المرنخ صلبة القوام وهشة (بعد حوالي ٤ - ٥ ساعات).

## تلميحَات مفيدة

- ينبغي تخزين كعك المرنخ في صناديق محكمة الغلق تمنع وصول الهواء اليه.
- اذا بدأ لون كعك المرنخ يتحول الى السمرة، افتح باب الفرن قليلاً.

KENWOOD LIMITED

New Lane · Havant · Hampshire · PO9 2NH  
PRINTED IN BRITAIN

83056/20  
ENGLISH  
DUTCH  
FRENCH  
GERMAN  
ARABIC



## Free Manuals Download Website

<http://myh66.com>

<http://usermanuals.us>

<http://www.somanuals.com>

<http://www.4manuals.cc>

<http://www.manual-lib.com>

<http://www.404manual.com>

<http://www.luxmanual.com>

<http://aubethermostatmanual.com>

Golf course search by state

<http://golfingnear.com>

Email search by domain

<http://emailbydomain.com>

Auto manuals search

<http://auto.somanuals.com>

TV manuals search

<http://tv.somanuals.com>