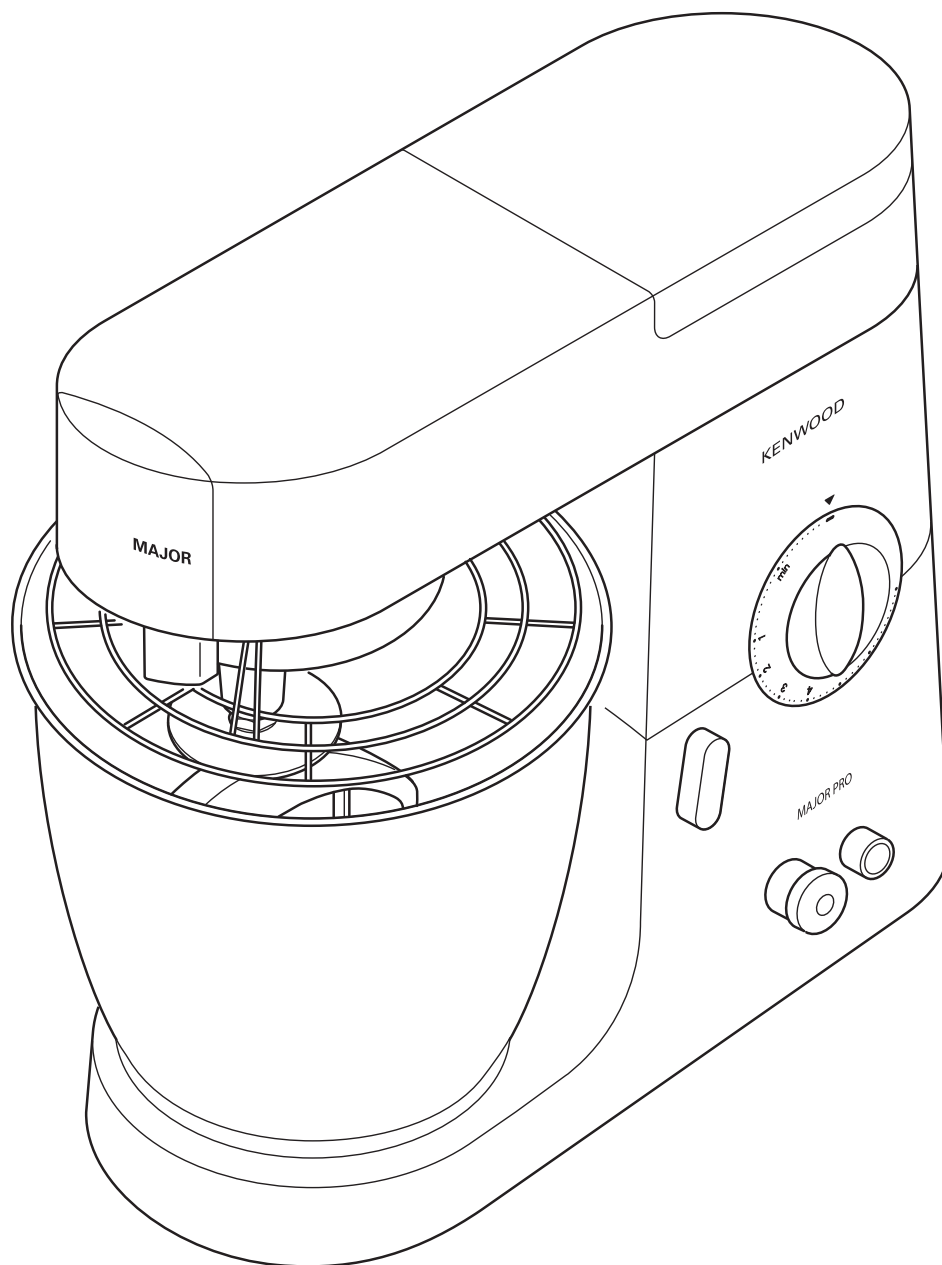


instructions

Kenwood MAJOR PRO KMP770 series

Congratulations on buying a Kenwood. With such a wide range of attachments available, it's more than just a mixer. It's a state-of-the-art kitchen machine. We hope you'll enjoy it.

Robust. Reliable. Versatile. Kenwood.



KENWOOD

know your Kenwood kitchen machine

before using your Kenwood appliance

- Read these instructions carefully and retain for future reference.
- Remove all packaging and any labels.

safety

- Switch off and unplug before fitting or removing tools/attachments, after use and before cleaning.
- Keep your fingers away from moving parts and fitted attachments.
- Never leave the machine on unattended.
- Never use a damaged machine. Get it checked or repaired: see 'service', page 8.
- Never let the cord hang down where a child could grab it.
- Never let the power unit, cord or plug get wet.
- Never use an unauthorised attachment or more than one attachment at once.
- Never exceed the maximum capacities on page 4.
- When using an attachment, read the safety instructions that come with it.
- Take care when lifting this appliance as it is heavy. Ensure the head is locked and that the bowl, tools, outlet covers and cord are secure before lifting.
- This appliance is not intended for use by persons (including children) with reduced physical, sensory or mental capabilities, or lack of experience and knowledge, unless they have been given supervision or instruction concerning use of the appliance by a person responsible for their safety.
- Children should be supervised to ensure that they do not play with the appliance.
- Only use the appliance for its intended domestic use. Kenwood will not accept any liability if the appliance is subject to improper use, or failure to comply with these instructions.

before plugging in

important - UK only

- Make sure your electricity supply is the same as the one shown on the underside of your machine.
- The wires in the cord are coloured as follows:
Blue = Neutral, Brown = Live.
- The appliance must be protected by a 13A approved (BS1362) fuse.
- For non-rewireable plugs the fuse cover MUST be refitted when replacing the fuse. If the fuse cover is lost then the plug must not be used until a replacement can be obtained. The correct fuse cover is identified by colour and a replacement may be obtained from your Kenwood Authorised Repairer (see Service).
- If a non-rewireable plug is cut off it must be DESTROYED IMMEDIATELY. An electric shock hazard may arise if an unwanted non-rewireable plug is inadvertently inserted into a 13A socket outlet.
- This appliance conforms to EC directive 2004/108/EC on Electromagnetic Compatibility and EC regulation no. 1935/2004 of 27/10/2004 on materials intended for contact with food.

before using for the first time

- Wash the parts: see 'care and cleaning', page 8.

know your Kenwood kitchen machine

know your Kenwood kitchen machine

attachment outlets ① high-speed outlet

② slow-speed outlet

③ tool socket

the mixer ④ mixer head

⑤ outlet catch

⑥ finger guard

⑦ bowl

⑧ bowl seating pad

⑨ head-lift lever

⑩ stop button (red)

⑪ start button (green)

⑫ speed switch

⑬ power unit

⑭ K-beater

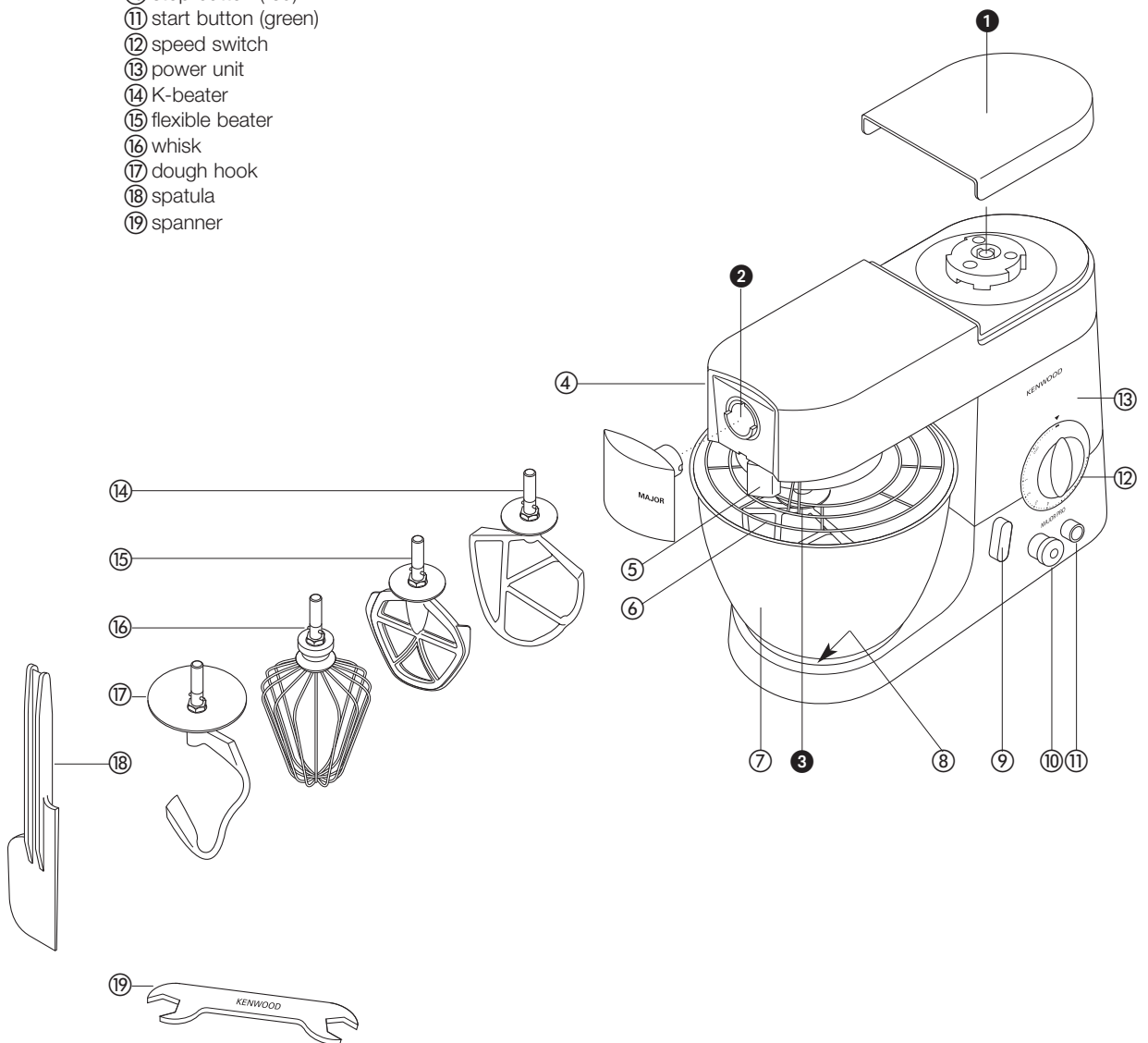
⑮ flexible beater

⑯ whisk

⑰ dough hook

⑱ spatula

⑲ spanner



the mixer

the mixing tools and some of their uses

- K-beater • For making cakes, biscuits, pastry, icing, fillings, éclairs and mashed potato.
- flexible beater • Ideal for scraping mixes from the sides and base of the bowl during mixing.
- whisk • For eggs, cream, batters, fatless sponges, meringues, cheesecakes, mousses, soufflés. Don't use the whisk for heavy mixtures (eg creaming fat and sugar) - you could damage it.
- dough hook • For yeast mixtures.

to use your mixer

- 1 Turn the head-lift lever anti-clockwise ① and raise the mixer head till it locks. Ensure the bowl seating pad is correctly fitted with the Ⓚ symbol uppermost.
- to insert a tool 2 Push up till it stops ② then turn.
- 3 Fit the bowl onto the base - press down and turn clockwise ③.
- 4 Lift the mixer head slightly then turn the head-lift lever anti-clockwise and lower the mixer head till it locks, otherwise the mixer won't work.
- 5 Select a speed.
- 6 To start the mixer press the green button. To stop the mixer press the red button.
- If you raise the mixer head while the machine's running, the machine stops.
- 7 Unplug after use.
- to remove a tool 8 Turn and remove.

- hints
- Switch off and scrape the bowl with the spatula frequently.
 - Eggs at room temperature are best for whisking.
 - Before whisking egg whites, make sure there's no grease or egg yolk on the whisk or bowl.
 - Use cold ingredients for pastry unless your recipe says otherwise.

points for bread making

- important
- Never exceed the maximum capacities below - you'll overload the machine.
 - If you hear the machine labouring, switch off, remove half the dough and do each half separately.
 - The ingredients mix best if you put the liquid in first.

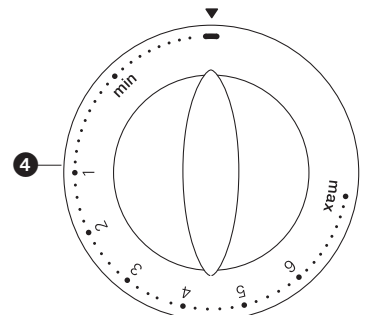
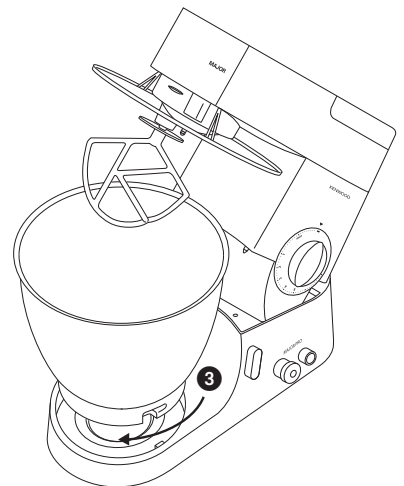
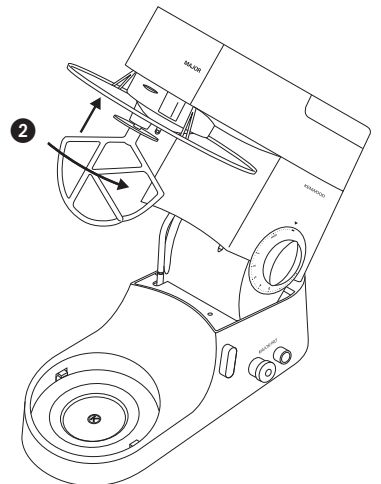
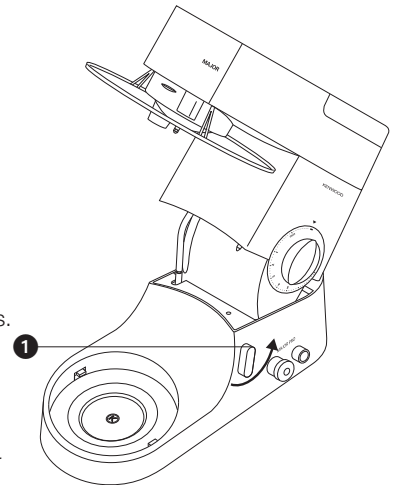
maximum capacities

MAJOR

- shortcrust pastry** • Flour weight: 910g - 2lb
- stiff yeast dough** • Flour weight: 1.5kg - 3lb 5oz
- Total weight: 2.4kg - 5lb 5oz
- soft yeast dough** • Flour weight: 2.6kg - 5lb 12oz
- Total weight: 5kg - 11lb
- fruit cake mix** • Total weight: 4.55kg - 10lb
- egg whites** • 16

speed switch ④

- K-beater • **creaming fat and sugar** start on min, gradually increasing to 5.
- **beating eggs into creamed mixtures** 4 - max.
- **folding in flour, fruit etc** min - 1.
- **all in one cakes** start on min speed, gradually increase to max.
- **rubbing fat into flour** min - 2.
- flexible beater • **scraping mixes from the side of the bowl** start on min, gradually increasing to 3.
- whisk • Gradually increase to max.
- dough hook • Start on min, gradually increasing to 1.



troubleshooting

problem

- The whisk or K-beater knocks against the bottom of the bowl or isn't reaching the ingredients in the bottom of the bowl.

solution • Adjust the height using the spanner provided. Here's how:

- 1 Unplug the appliance.
- 2 Raise the mixer head and insert the whisk or beater.
- 3 Lower the mixer head. If the clearance needs to be adjusted, raise the mixer head and remove the tool.
- 4 Using the spanner provided loosen the nut **1** sufficiently to allow adjustment of the shaft **2**. To lower the tool closer to the bottom of the bowl, turn the beater shaft anti-clockwise. To raise the tool away from the bottom of the bowl turn the shaft clockwise.
- 5 Re-tighten the nut.
- 6 Fit the tool to the mixer and lower the mixer head. For best performance the whisk or K-beater should be **almost** touching the bottom of the bowl **3**.
- 7 Repeat the above steps as necessary until the tool is set correctly. Once this is achieved tighten the nut securely.

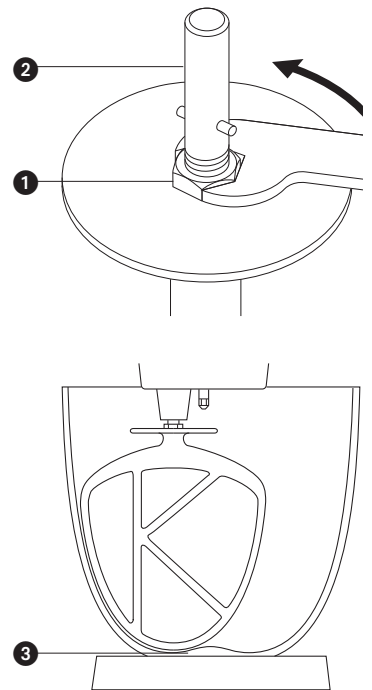
flexible beater Ideally the flexible beater should be almost touching the bottom of the bowl but ensure that the flexible beater wing is not bent against the bowl base as this will cause excessive wear. If necessary adjust as detailed above.

dough hook This tool is set at the factory and should require no adjustment.

problem

- The mixer stops during operation.

solution • Your mixer is fitted with an overload protection device and will stop if overloaded to protect the machine. If this happens, switch off and unplug the mixer. Remove some of the ingredients to reduce the load, and allow the mixer to stand for a few minutes. Plug in and press the start button. If the mixer does not restart immediately allow to stand for additional time to allow the mixer to cool down.



the **attachments** available

To buy an attachment not included in your pack, call your KENWOOD repairer.

attachment attachment code

flat pasta maker ① **AT970A**

additional pasta attachments
(not shown) used in conjunction
with AT970A

AT971A tagliatelle

AT972A tagliolini

AT973A trenette

AT974A spaghetti

pasta maker ② **AT910** comes with maccheroni rigati die
(12 optional dies plus biscuit maker can be fitted)

roto food cutter ③ **AT643** comes with 5 drums

fruit press ④ **AT644**

multi food grinder ⑤ **AT950A** comes with

a large sausage nozzle

b small sausage nozzle

c kebbe maker

grain mill ⑥ **AT941A**

pro slicer/grater ⑦ **AT340** comes with a range of plates

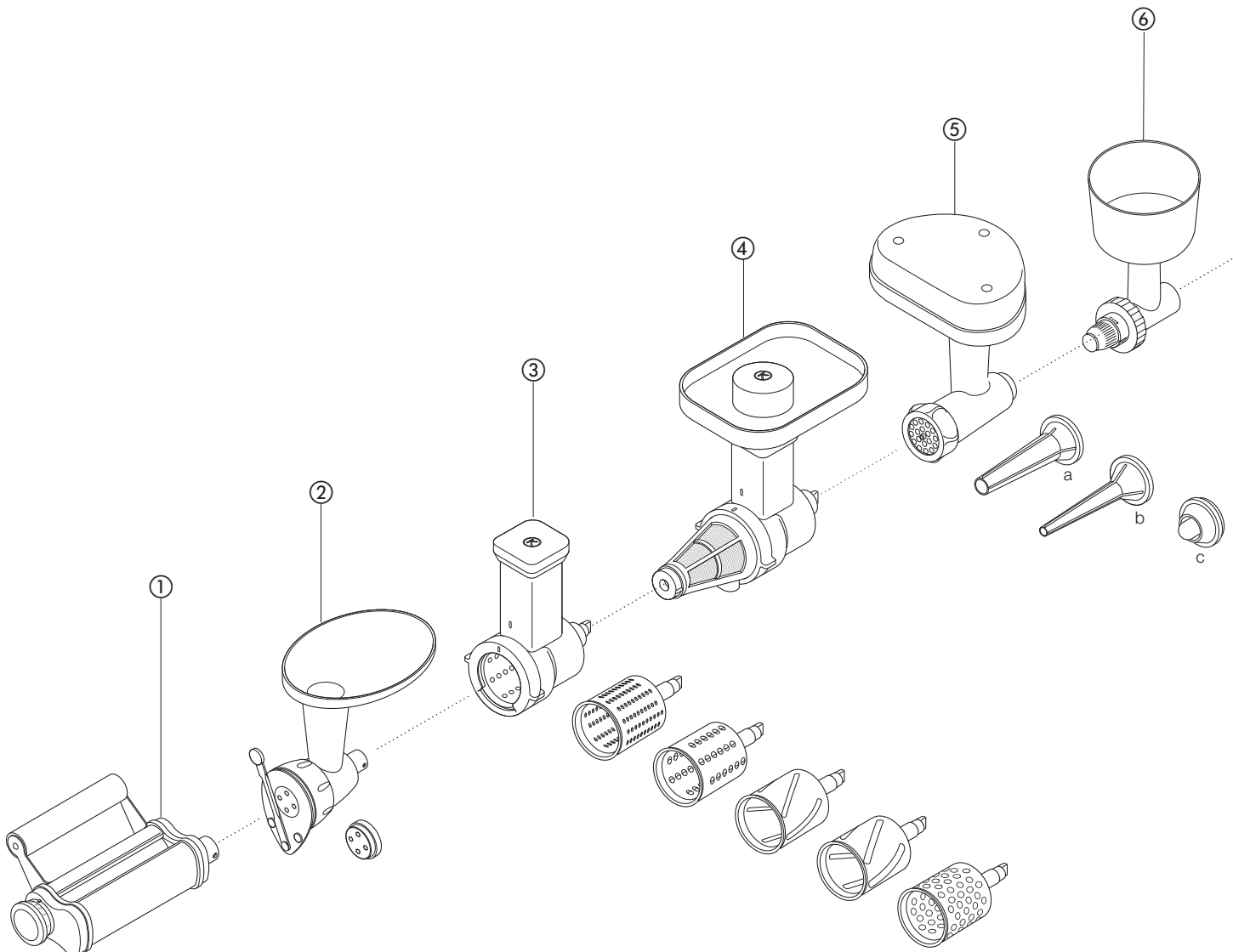
citrus press ⑧ **AT312**

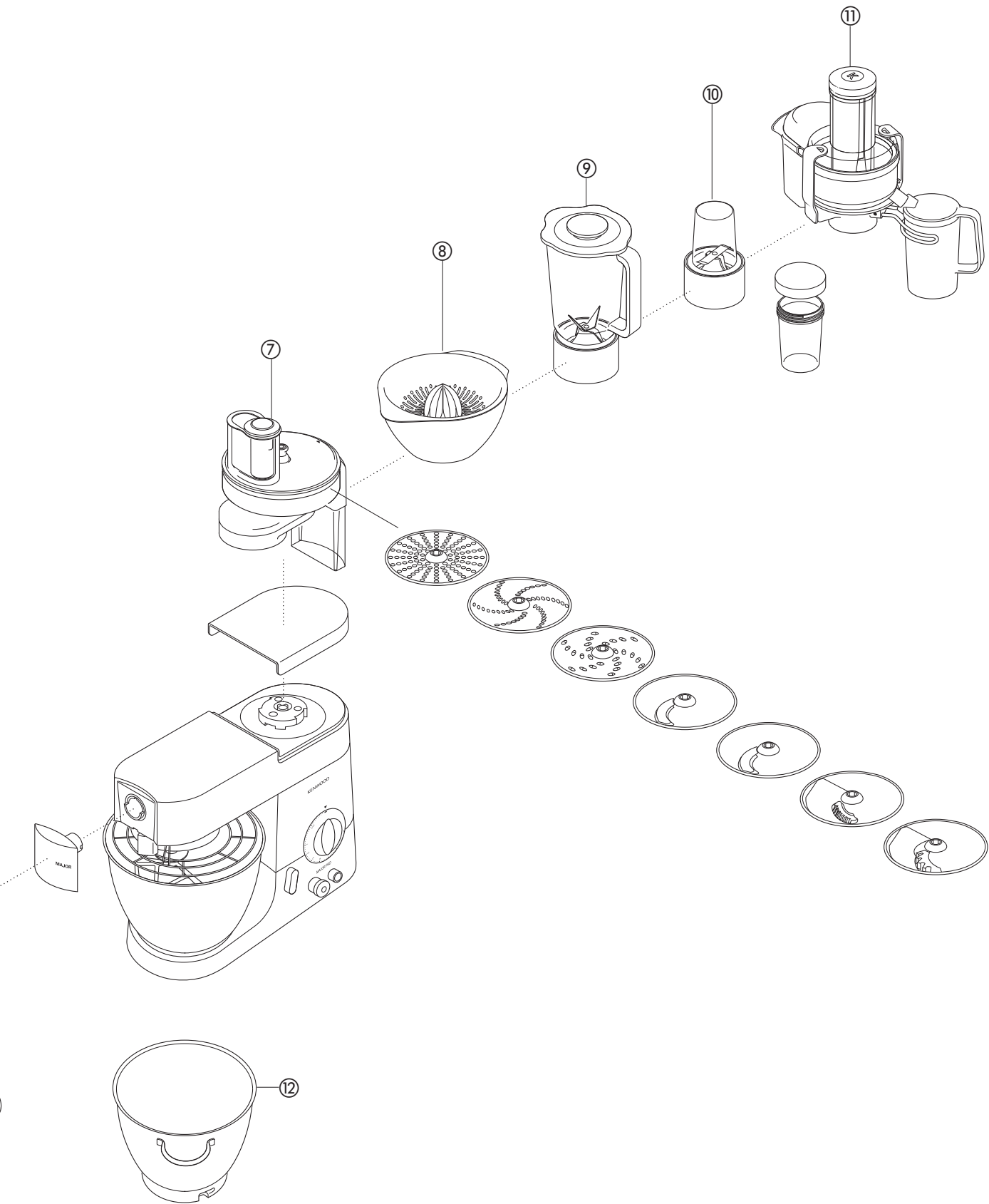
blender ⑨ 1.5 l acrylic **AT337**, 1.5 l glass **AT338**, 1.5 l stainless steel **AT339**

mini chopper/mill ⑩ **AT320A** comes with 4 glass jars and 4 lids for storage

continuous juicer ⑪ **AT641**

Stainless steel bowl ⑫ **MAJOR 36386A**
with handles





cleaning and service

care and cleaning

- Always switch off and unplug before cleaning.
- A little grease may appear at **outlet 2** when you first use it. This is normal - just wipe it off.

- power unit, outlet-covers, finger guard
- Wipe with a damp cloth, then dry after each use.
 - Always replace the outlet covers when not in use.
 - Never use abrasives or immerse in water.

- bowl
- Wash by hand, then dry thoroughly or wash in the dishwasher.
 - Never use a wire brush, steel wool or bleach to clean your stainless steel bowl. Use vinegar to remove limescale.
 - Keep away from heat (cooker tops, ovens, microwaves).

- tools
- Wash by hand, then dry thoroughly or wash in the dishwasher.

service and customer care

- If the cord is damaged it must, for safety reasons, be replaced by KENWOOD or an authorised KENWOOD repairer.

UK If you need help with:

- using your machine
- servicing or repairs (in or out of guarantee)

☎ call KENWOOD Customer Care on **023 9239 2333**.

Have your model number ready - it's on the underside of the mixer.

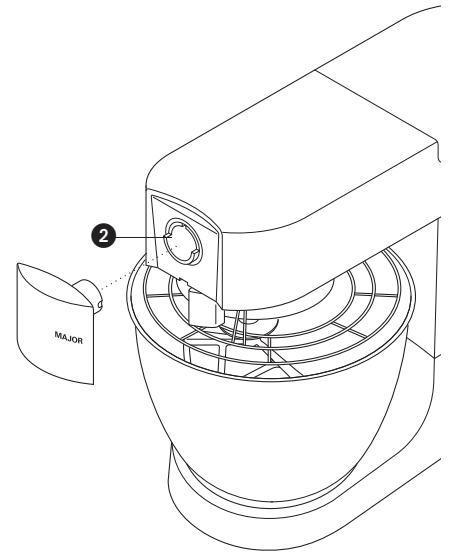
- spares and attachments

☎ call **0870 2413653**.

other countries

- Contact the shop where you bought your machine.

- Designed and engineered by Kenwood in the UK.
- Made in China.



IMPORTANT INFORMATION FOR CORRECT DISPOSAL OF THE PRODUCT IN ACCORDANCE WITH EC DIRECTIVE 2002/96/EC.

At the end of its working life, the product must not be disposed of as urban waste.

It must be taken to a special local authority differentiated waste collection centre or to a dealer providing this service.

Disposing of a household appliance separately avoids possible negative consequences for the environment and health deriving from inappropriate disposal and enables the constituent materials to be recovered to obtain significant savings in energy and resources. As a reminder of the need to dispose of household appliances separately, the product is marked with a crossed-out wheeled dustbin.

guarantee UK only

- If your machine goes wrong within one year from the date you bought it, we will repair or replace it free of charge provided:
 - you have not misused, neglected or damaged it;
 - it has not been modified;
 - it is not second-hand;
 - it has not been used commercially;
 - you have not fitted a plug incorrectly; and
- **you supply your receipt to show when you bought it.**

This guarantee does not affect your statutory rights.

recipes

See important points for bread making on page 4.

white bread *stiff yeast dough*

- ingredients
- 1.36kg (3lb) strong plain flour
 - 15ml (3tsp) salt
 - 25g (1oz) fresh yeast; or 15g/20ml (½oz) dried yeast + 5ml (1tsp) sugar
 - 750ml (1¼pts) warm water: 43°C (110°F). Use a thermometer or add 250ml (9fl oz) boiling water to 500ml (18fl oz) cold water
 - 25g (1oz) lard
- method
- 1 **dried yeast** (the type that needs reconstituting): pour the warm water into the bowl. Then add the yeast and the sugar and leave to stand for about 10 minutes until frothy.
fresh yeast: crumble into the flour.
other types of yeast: follow the manufacturer's instructions.
 - 2 Pour the liquid into the bowl. Then add the flour (with fresh yeast if used), salt and lard.
 - 3 Knead at minimum speed for 45 - 60 seconds. Then increase to speed 1, adding more flour if necessary, until a dough has formed.
 - 4 Knead for 3 - 4 more minutes at speed 1 until the dough is smooth, elastic and leaves the sides of the bowl clean.
 - 5 Put the dough into a greased polythene bag or a bowl covered with a tea towel. Then leave somewhere warm until doubled in size.
 - 6 Re-knead for 2 minutes at speed 1.
 - 7 Half fill four 450g (1lb) greased tins with the dough, or shape it into rolls. Then cover with a tea towel and leave somewhere warm until doubled in size.
 - 8 Bake at 230°C/450°F/Gas Mark 8 for 30 - 35 minutes *for loaves* or 10 - 15 minutes *for rolls*.
 - When ready, the bread should sound hollow when tapped on the base.

white bread *soft yeast dough*

- 2.6kg (5lb 12oz) ordinary plain flour
 - 1.3 litre (2¼pts) milk
 - 300g (10oz) sugar
 - 450g (1lb) margarine
 - 100g (4oz) fresh yeast or 50g (2oz) dried yeast
 - 6 eggs, beaten
 - 5 pinches salt
- method
- 1 Melt the margarine in the milk and bring to 43°C (110°F).
 - 2 **dried yeast** (the type that needs reconstituting): add the yeast and sugar to the milk and leave to stand for about 10 minutes until frothy.
fresh yeast: crumble into the flour and add the sugar.
other types of yeast: follow the manufacturer's instructions.
 - 3 Pour the milk into the bowl. Add the beaten eggs and 2kg (4lb 6oz) flour.
 - 4 Mix at minimum speed for 1 minute, then at speed 1 for a further minute. Scrape down.
 - 5 Add the remaining flour and mix at minimum speed for 1 minute, then at speed 1 for 2 - 3 minutes until smooth and evenly mixed.
 - 6 Half fill some 450g (1lb) greased tins with the dough, or shape it into rolls. Then cover with a tea towel and leave somewhere warm until doubled in size.
 - 7 Bake at 200°C/400°F/Gas Mark 6 for 20 - 25 minutes *for loaves* or 15 minutes *for rolls*.
 - 8 When ready, the bread should sound hollow when tapped on the base.
 - Makes about 10 loaves.

recipes *continued*

strawberry and apricot gâteau

- ingredients: sponge ● 3 eggs
● 75g (3oz) caster sugar
● 75g (3oz) plain flour
- filling and decoration ● 150ml (¼pt) double cream
● Sugar to taste
● 225g (8oz) strawberries
● 225g (8oz) apricots
- method 1 Halve the apricots and remove the stones. Cook gently in very little water, adding sugar to taste, until soft.
2 Wash and halve the strawberries.
3 To make the sponge, whisk the eggs and sugar at maximum speed until very pale and thick.
4 Remove the bowl and the whisk. Fold in the flour by hand using a large metal spoon - do this carefully to keep the sponge light.
5 Put the mixture into two 18cm (7") greased and lined sandwich tins.
6 Bake at 180°C/350°F/Gas Mark 4 for about 20 minutes until the cake springs back when lightly touched.
7 Turn out onto a wire rack.
8 Whisk the cream at maximum speed until stiff. Add sugar to taste.
9 Roughly chop the apricots and a third of the strawberries. Fold them into half the cream.
10 Spread this over one of the sponges, then put the other sponge on top.
11 Spread the remaining cream on top and decorate with the remaining strawberries.

meringues

- 4 egg whites
- ingredients ● 250g (9oz) icing sugar, sieved
● Line your baking tray with non-stick baking parchment.
- method 1 Whisk the egg whites and sugar at maximum speed for about 10 minutes until it stands in peaks.
2 Spoon the mixture onto the baking tray (or use a piping bag with a 2.5cm (1") star nozzle).
3 Bake at 110°C/225°F/Gas Mark ¼ for about 4 - 5 hours until firm and crisp. If they start to brown, leave the oven door slightly ajar.
● Store meringues in an airtight tin.

shortcrust pastry

- ingredients ● 450g (1lb) flour, sieved with the salt
● 5ml (1tsp) salt
● 225g (8oz) fat (mix lard and margarine straight from the fridge)
● About 80ml (4tbsp) water
● Don't overmix
- hint 1 Put the flour into the bowl. Chop the fat up roughly and add to the flour.
- method 2 Mix at speed 1 until it resembles breadcrumbs. Stop before it looks greasy.
3 Add the water and mix at minimum speed. Stop as soon as the water is incorporated.
4 Cook at around 200°C/400°F/Gas Mark 6, depending on the filling.

carrot and coriander soup

- ingredients ● 25g (1oz) butter
● 1 onion chopped
● 1 clove garlic crushed
● 480g (1lb 1oz) carrot cut into 1.5cm cubes for a 1.2 l goblet
● 600g (1lb 6oz) carrot cut into 1.5cm cubes for a 1.5 l goblet
● cold chicken stock
● 10-15ml (2-3tsp) ground coriander
● salt and pepper
- method 1 Melt the butter in a pan, add the onion and garlic and fry until soft.
2 Place the carrot into the liquidiser, add the onion and garlic. Add sufficient stock to reach the maximum 1.2 level or 1.5 level marked on the goblet. Fit the lid and filler cap.
3 Blend on maximum speed for 5 seconds for a coarse soup or longer for a finer result.
4 Transfer the mixture to a saucepan, add the coriander and seasoning and simmer the soup for 30 to 35 minutes or until cooked.
5 Adjust the seasoning as necessary and add extra liquid if required.

Head Office Address:
Kenwood Limited, New Lane, Havant, Hampshire PO9 2NH, UK
www.kenwoodworld.com
Designed and engineered by Kenwood in the UK
Made in China



Free Manuals Download Website

<http://myh66.com>

<http://usermanuals.us>

<http://www.somanuals.com>

<http://www.4manuals.cc>

<http://www.manual-lib.com>

<http://www.404manual.com>

<http://www.luxmanual.com>

<http://aubethermostatmanual.com>

Golf course search by state

<http://golfingnear.com>

Email search by domain

<http://emailbydomain.com>

Auto manuals search

<http://auto.somanuals.com>

TV manuals search

<http://tv.somanuals.com>