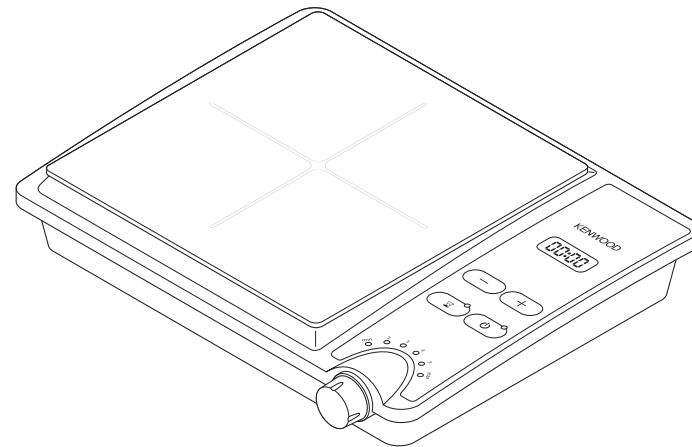
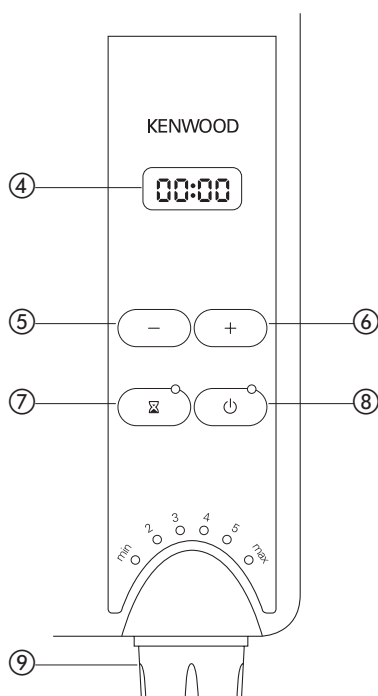
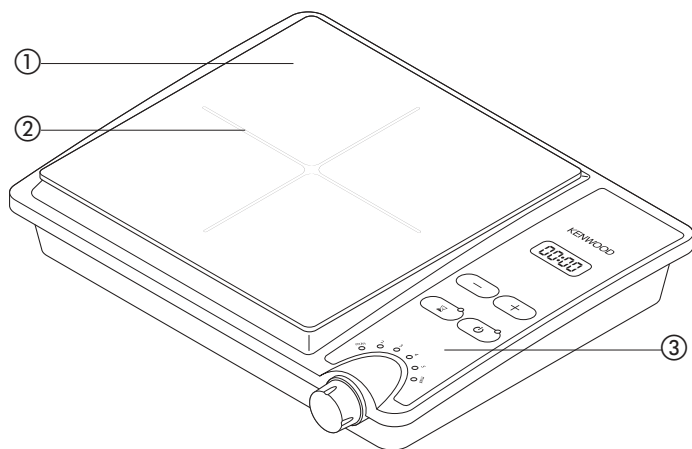


# KENWOOD



IH100





### before using your Kenwood appliance

- Read these instructions carefully and retain for future reference.
- Remove all packaging and any labels.

### important note - medical implants

- The induction hob generates short-range magnetic fields. If any user or person in close proximity has a pacemaker or other active implants, please consult a doctor before use concerning any possible incompatibility to prevent any risk to health.

### safety

- Do not immerse the appliance, supply cord or plug in water or other liquid.
- Never use a damaged appliance, cord or plug. Get it checked or repaired: see 'service'.
- Do not leave the appliance unattended when in use.
- Do not let the cord hang over the edge of the table or worksurface or touch hot surfaces.
- Always unplug the appliance when not in use or before cleaning.
- Make sure that electrical cords connecting other appliances in the proximity cannot come into contact with the induction hob.
- During and after use of the induction hob, certain parts will become very hot. The hob plate will remain hot from residual heat. Do not touch hot parts.
- The pan and contents will remain hot after use.
- After removing the pan from the induction hob, place on a heat resistant surface.
- Do not scratch the hob plate with sharp objects.

- Don't use the hob plate as a worksurface.
- Never use the hob plate for storage.
- Do not use the induction hob if the hob plate is broken or cracked in any way.
- Do not put hot or sharp implements or pans onto the control panel.
- Never put paper, aluminium foil, cloth, plastic materials or other unrelated objects on the hob plate when the induction hob is in use or is hot. Foil used to cover items during cooking should not be allowed to come in direct contact with the hob plate.
- For safety, never leave the handle of your pan sticking out over the worksurface.
- Make sure the underside of the cooking pan and the hob plate are clear from water, grease or other dirt before cooking.
- Do not use pans with rough bases as these may scratch the hob plate.
- Do not allow the air entry or air vents to be covered or blocked in any way. Always ensure that there is adequate ventilation around the induction hob during operation.
- The induction hob should not be used near or below curtains and other combustible materials.
- Never unplug the induction hob during operation before switching it off first. If the on/off button is lit for a long time (i.e. if the appliance is in operation or a protective condition), first press the on/off button to turn off the appliance and remove the plug after the fan has stopped.
- Never use the appliance on a gas stove or on stainless steel or iron worktops/surfaces.
- Do not place this appliance on or near a naked flame, hot plate or in a heated oven.

- Do not use this appliance as a hot plate.
- Do not use the induction hob to heat anything other than food in suitable pans.
- Never use with pans that are empty.
- In the unlikely event of the contents of the pan catching fire: turn off the appliance, smother the pan with a damp cloth and leave to cool completely prior to handling the pan.
- As with all hobs, in the event that cookware is accidentally overheated and allowed to boil dry, it is important that before moving from the induction hob the heat source be turned off and the pan allowed to cool.
- Overheating should be avoided at all times. Persistent overheating can cause permanent damage to your cookware.
- Do not place credit cards, magnetic media or sensitive electronic equipment near to the appliance when in use.
- Do not use the appliance outdoors.
- During operation, the induction hob should be placed horizontally, on a flat heat resistant surface, at least 10cm away from all sides of the wall.
- Do not let infirm people use the appliance without supervision.
- Do not let children use or play with the appliance.
- Only use the appliance for its intended domestic use. Kenwood will not accept any liability if the appliance is subject to improper use, or failure to comply with these instructions.

### **suitable cookware**

- Only use flat bottomed pans that are suitable for induction hob use. If in doubt, check with the manufacturer of your pans. If they are unsuitable the induction hob will not detect the pan.
- The induction hob is suitable for pans with a base diameter of 12 – 22cm.
- Metal cooking utensils are not recommended since they can be heated through the induction hob if left in the pan during cooking.

### **before plugging in**

- Make sure your electricity supply is the same as the one shown on the underside of your induction hob.

### **Important – UK only**

- The wires in the cord are coloured as follows:  
Blue = Neutral,  
Brown = Live.
- The appliance must be protected by a 13A approved (BS1362) fuse.

### **Note:**

- For non-rewireable plugs the fuse cover **MUST** be refitted when replacing the fuse. If the fuse cover is lost then the plug must not be used until a replacement can be obtained. The correct fuse cover is identified by colour and a replacement may be obtained from your Kenwood Authorised Repairer (see Service).
- If a non-rewireable plug is cut off it must be **DESTROYED IMMEDIATELY**. An electric shock hazard may arise if an unwanted non-rewireable plug is inadvertently inserted into a 13A socket outlet.
- This machine complies with European Economic Community Directive 89/336/EEC.

## before using your induction hob for the first time

Wipe over the hob plate see 'care & cleaning'.

## key

- ① hob plate
- ② pan guide
- ③ control panel
- ④ LED display
- ⑤ timer decrease button
- ⑥ timer increase button
- ⑦ timer button
- ⑧ on/off button
- ⑨ power control

## using your induction hob

- 1 Plug in the induction hob. The appliance will beep and the fan will operate for a second.
- 2 Press the on/off button ⑧, the button will flash and the LED display ④ will read —:—. It will remain with this reading unless in timer mode. The appliance is now in standby mode.
- 3 Place the pan centrally onto the induction hob, within the pan guide - shown by the graphic on the hob plate ②.
- 4 Select the desired power setting with the power control ⑨ and heating will begin.
  - To adjust the power, turn the power control anticlockwise to decrease the power and clockwise to increase the power. There are 6 power settings.
  - Note: When the induction hob is working, there will be a high frequency intermittent sound and the fan will operate. This is normal.
- 5 Turn off the induction hob when you have finished cooking by pressing the on/off button.
  - The fan will continue to operate after the appliance has been switched off.

- As this induction hob operates slightly differently to a traditional hob, some adjustments to the expected cooking times and temperatures may be necessary to achieve the desired results.

## hints

- To reduce the cooking time, you can turn the power control to the max position when you turn the appliance on. After a short time you can set the power control to the required position.
- After a short period of use, experience will teach you which setting is the right one for your needs.
- Pan contents heat more quickly with an induction hob.

## timer mode

- 1 When the timer button ⑦ is pressed it will light up, the appliance will beep, the LED display ④ flashes and shows "00:00". Set the time using the "+" ⑥ or "-" ⑤ button, "+" will increase the time by 1 minute, "-" will decrease the time by 1 minute. To quickly set the time in 10 minute increments hold the "+" or "-" button down. This should be done within 5 seconds of pressing the timer button or the LED display will default back to —:—. The timer range is 1 minute - 3 hours.
- 2 Once the timer has been set the LED display will flash. Select the desired power level within 5 seconds (if not timing will not begin and the appliance will automatically turn off within 2 minutes). The display will then count down (indicated by the colon flashing) and heating will begin.
- 3 After the set time has been reached, the appliance will turn off.

- To cancel timing during the count down, press the timer button. It will continue heating unless it is switched off.

## safety features

- The induction hob will turn off if it is not operated in two minutes.
- In use, unless a suitable pan of at least 12cm diameter is used a beep will sound for approximately 1 minute. If an appropriate pan is not placed onto the surface in this time the induction hob automatically turns off.
- If the appliance overheats or pans boil dry, the induction hob automatically enters a protective condition where its heating is then regulated. If the overheating continues, the appliance may display a protection code (see troubleshooting guide).
- During use if there are problems with the mains supply, the induction hob automatically enters a protective state and displays a protection code. Unplug the appliance and wait for supply to return to normal (see troubleshooting guide).
- If the induction hob is in operation and no button is pressed it has an automatic switch-off in accordance with the times in the table below, (except for when timing program exceeds 2 hours).

power level	time
1, 2	4 hours
3, 4	3 hours
5, 6	2 hours

- Once the pan is moved away the hob plate will stop heating.

## care & cleaning

- Switch off, unplug and allow the appliance to cool down completely before cleaning.
- Never immerse the induction hob in water.

### **Hob plate, body and control panel:**

- Wipe with a soft damp cloth or non – abrasive cleaner and dry thoroughly. Ensure all traces of cleaner are removed. Do not use abrasive or scouring detergents/powders, scouring pads or steel wool as they will damage or crack the hob plate or damage the control panel.
  - Dust, fat and liquids from food that has boiled over must be removed as soon as possible. If they are allowed to harden they become increasingly difficult to remove. Do not use a knife or other sharp utensil as these may damage the hob plate or control panel.
- Air entry and air vent:**
- After long periods of use dirt and dust may accumulate in the air entry or air vent. Clean with a soft flexible brush. Never wash using water.

## service and customer care

- If the cord is damaged it must, for safety reasons, be replaced by Kenwood or an authorised Kenwood repairer.

### **UK**

If you need help with:

- using your induction hob or
- servicing, spare parts or repairs (in or out of guarantee)

☎ call Kenwood customer care on **023 9239 2333**. **Have your model number ready** – it's on the underside of the induction hob.

### ● **spares and attachments**

☎ call 0870 2413653.

### ● **other countries**

Contact the shop where you bought your machine.

### **guarantee (uk only)**

If your induction hob goes wrong within one year from the date you bought it, we will repair or replace it free of charge provided:

- you have not misused, neglected or damaged it;
- it has not been modified (unless by Kenwood);
- it is not second-hand;
- it has not been used commercially;
- you have not fitted a plug incorrectly; and
- **you supply your receipt to show when you bought it.**

This guarantee does not affect your statutory rights.

## troubleshooting guide

<b>problems</b>	<b>suggestions</b>
After the appliance is plugged in and the power button is pressed, no indicators are lit	<ul style="list-style-type: none"> <li>• Check that the plug is inserted correctly and that the power is switched on.</li> <li>• Where fitted check the plug fuse.</li> </ul>
The power button indicator lights up, but heating does not start when power control is adjusted	<ul style="list-style-type: none"> <li>• Check that pan is present</li> <li>• Check suitability of the pan</li> <li>• Check that pan is centrally located</li> </ul>
Heating stops suddenly during operation	<ul style="list-style-type: none"> <li>• Check power supply to the appliance</li> <li>• Check the air entry or the air vent is not blocked</li> <li>• Check the timing period has not ended</li> <li>• Check the appliance has not overheated or entered error mode – unplug, allow to cool and try again later</li> </ul>
In timer mode, the timer is set and the on/off button is flashing but heating does not begin.	<ul style="list-style-type: none"> <li>• Increase the power with the power control</li> </ul>
Failure codes occur: E:03 E:06	<ul style="list-style-type: none"> <li>• Appliance may have overheated/boiled dry. Unplug the appliance, allow to cool and try again later</li> </ul>
E:07 E:08	<ul style="list-style-type: none"> <li>• Fluctuation in mains supply. Unplug the appliance, allow to cool and try again later</li> </ul>
E:01 E:02 E:04 E:05 E:0b E:0C	<ul style="list-style-type: none"> <li>• Send it to a service facility for repair</li> </ul>

## Free Manuals Download Website

<http://myh66.com>

<http://usermanuals.us>

<http://www.somanuals.com>

<http://www.4manuals.cc>

<http://www.manual-lib.com>

<http://www.404manual.com>

<http://www.luxmanual.com>

<http://aubethermostatmanual.com>

Golf course search by state

<http://golfingnear.com>

Email search by domain

<http://emailbydomain.com>

Auto manuals search

<http://auto.somanuals.com>

TV manuals search

<http://tv.somanuals.com>