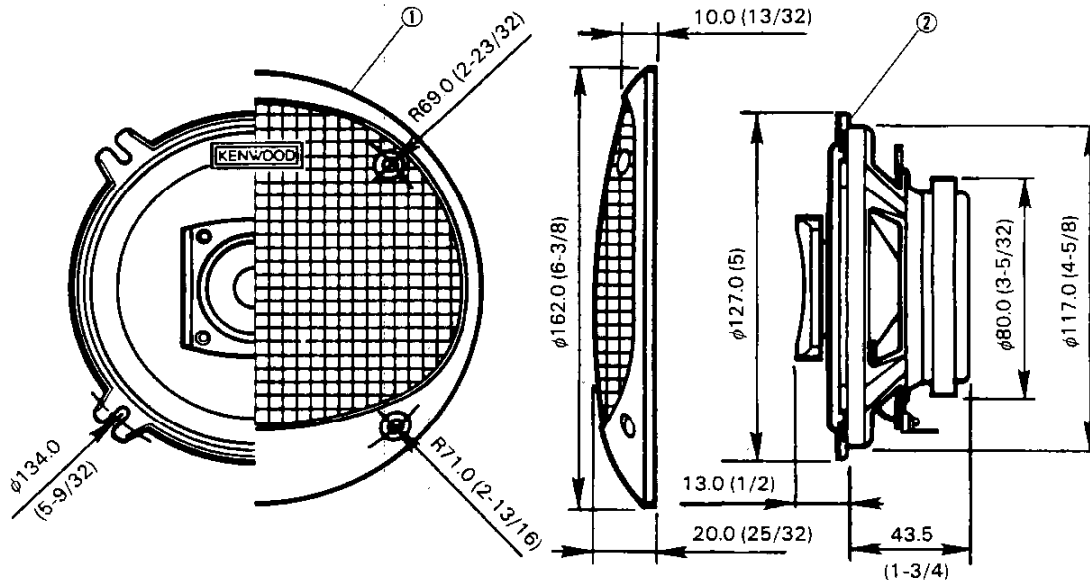


# KFC-1271 SERVICE MANUAL

# KENWOOD

© 1986-12 PRINTED IN JAPAN  
B51-3112-00 (G) 1371

## EXTERNAL VIEW



Unit: mm (inch)

## SPECIFICATIONS

### Speakers

Woofer \_\_\_\_\_ 170g (6 oz) Magnet  
12cm (5") Water-resistant cone  
Tweeter \_\_\_\_\_ 41mm (1-5/8") cone  
Peak power \_\_\_\_\_ 45 watts  
Sensitivity \_\_\_\_\_ 90 dB/w at 1m  
Impedance \_\_\_\_\_ 4 ohms  
Insulated cable \_\_\_\_\_ 4.5m (14.7ft) 2 pcs  
Weight per speaker with grille \_\_\_\_\_ 610 g (1 lb 6 oz)

## PARTS LIST

### \* New Parts

Parts without Parts No. are not supplied.

Les articles non mentionnes dans le Parts No. ne sont pas fournis.

Teile ohne Parts No. werden nicht geliefert.

| Ref.No. | New Parts | Parts No.   | Description      | Destination |
|---------|-----------|-------------|------------------|-------------|
| ①       |           | B06-0266-08 | FRONT GRILLE     | E           |
| ①       |           | B06-0267-08 | FRONT GRILLE     | T           |
|         |           | E30-1187-08 | SPEAKER CORD SET |             |
|         |           | N99-1050-08 | SCREW SET        |             |
| ②       | *         | T15-0096-08 | SPEAKER          |             |

Q.C.  
COPY

## Free Manuals Download Website

<http://myh66.com>

<http://usermanuals.us>

<http://www.somanuals.com>

<http://www.4manuals.cc>

<http://www.manual-lib.com>

<http://www.404manual.com>

<http://www.luxmanual.com>

<http://aubethermostatmanual.com>

Golf course search by state

<http://golfingnear.com>

Email search by domain

<http://emailbydomain.com>

Auto manuals search

<http://auto.somanuals.com>

TV manuals search

<http://tv.somanuals.com>