

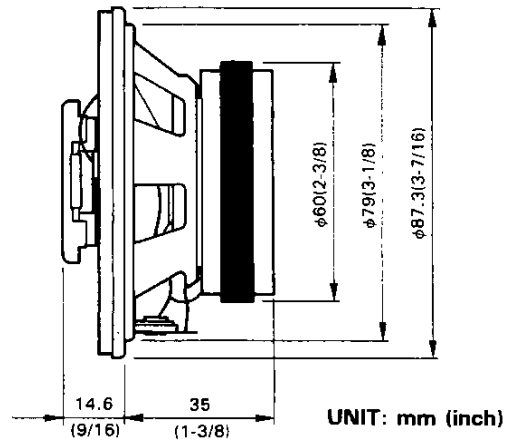
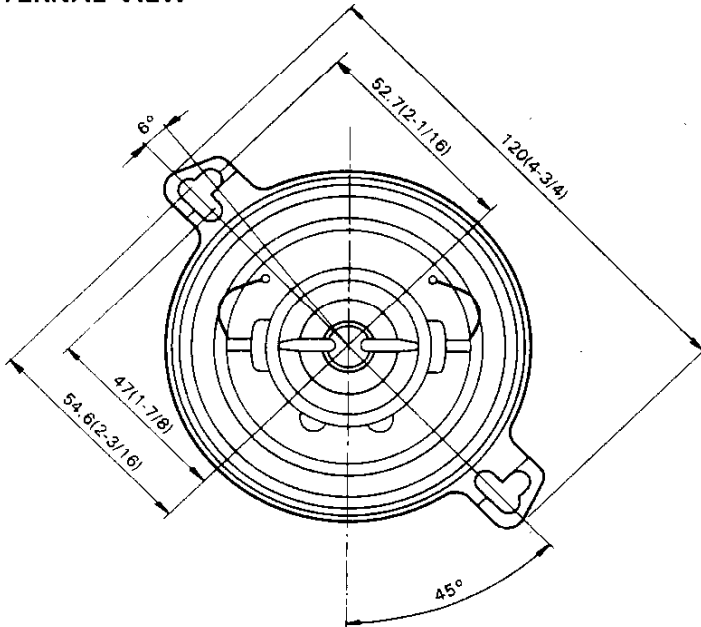
KFC-87E

SERVICE MANUAL

KENWOOD

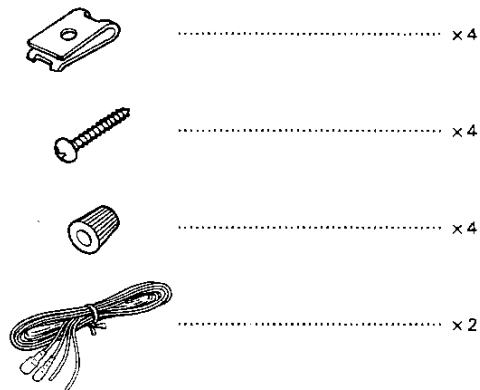
©1990-2 PRINTED IN JAPAN
B51-6132-00(T) 1201

EXTERNAL VIEW



UNIT: mm (inch)

PARTS INCLUDED



PARTS LIST

★ New parts
Parts without **Parts No.** are not supplied.
Les articles non mentionnés dans le **Parts No.** ne sont pas fournis.
Teile ohne **Parts No.** werden nicht geliefert.

Ref No.	New Parts	Parts No.	Description
	★	E30-5028-08	CORD SET
	★	N99-1153-08	SCREW SET
	★	T15-0158-08	SPEAKER

SPECIFICATIONS

Speakers

- Woofers 8.7 cm (3-1/2 in)
Cone Type
85 g (3 oz)
Ceramic Magnet
- Tweeters 2.5 cm (1 in)
Balanced Dome Type
- Peak Power 30 Watts
- Frequency Response 65 Hz ~ 22,000 Hz
- Sensitivity 89 dB/W at 1 m
- Impedance 4 ohms
- Weight per speaker 0.76 kg (1 lb 11 oz)/pc.

(KENWOOD follows a policy of continuous advancements in development.
For this reason specifications may be changed without notice.)

Q.C.
COPY

Free Manuals Download Website

<http://myh66.com>

<http://usermanuals.us>

<http://www.somanuals.com>

<http://www.4manuals.cc>

<http://www.manual-lib.com>

<http://www.404manual.com>

<http://www.luxmanual.com>

<http://aubethermostatmanual.com>

Golf course search by state

<http://golfingnear.com>

Email search by domain

<http://emailbydomain.com>

Auto manuals search

<http://auto.somanuals.com>

TV manuals search

<http://tv.somanuals.com>