

# KENWOOD

PEAK POWER  
**400W**



## Flush Mount Speaker

HAUT-PARLEUR ENCASTRABLE  
ALTAVOZ DE MONTAJE A NIVEL  
ALTIFALANTE DE MONTAGEM NIVELADA

# KFC-6965S

**6x9**

inch

**3way**

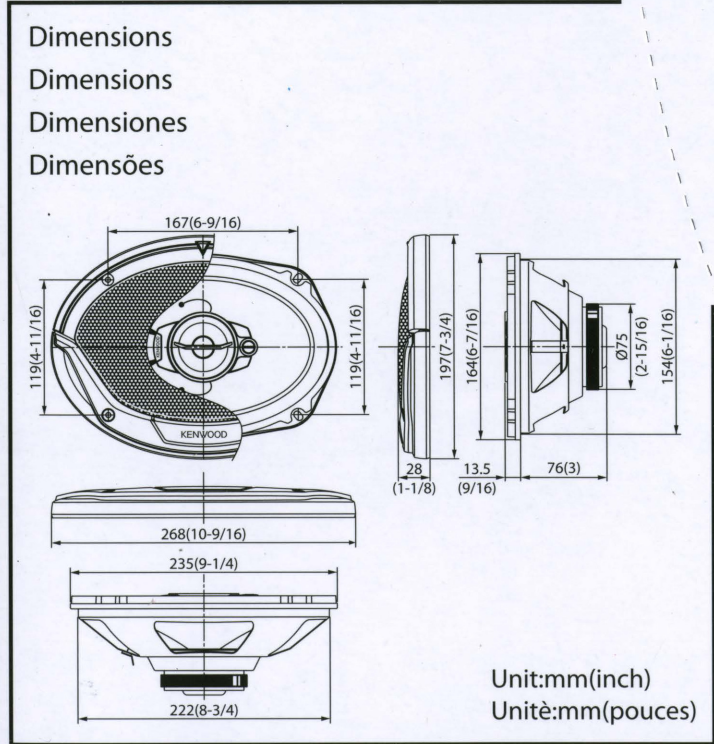
SPEAKER





**FLUSH MOUNT SPEAKER**  
**HAUT-PARLEUR ENCASTRABLE**  
**KFC-6965S**

**INSTALLATION INSTRUCTIONS**  
**PROCEDURES D'INSTALLATION**



TEMPLATE GABARIT  
 PLANTILLA GABARITO

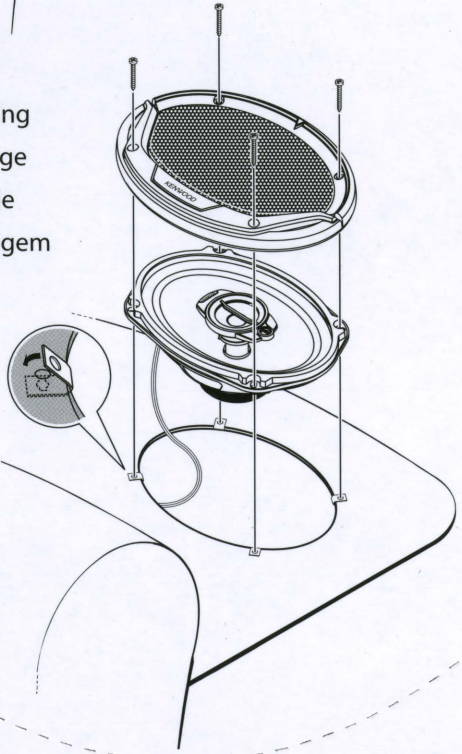
**Installation**  
**Installation**  
**Instalación**  
**Instalação**

How to use the template  
 Utilisation du gabarit  
 Forma de utilizar la plantilla  
 Como utilizar o gabarito

Mark holes  
 Reperer les trous  
 Marque los orificios  
 Orifícios de marcação

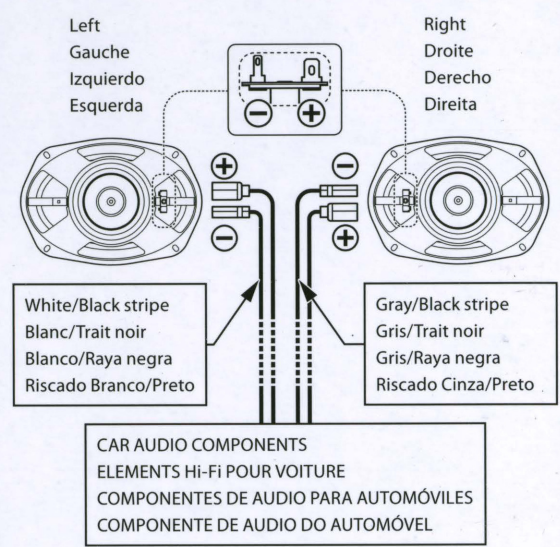
Cut out the holes  
 Découper les trous  
 Taladre officios  
 Recorte os orifícios

Example of mounting  
 Exemple de montage  
 Ejemplo de montaje  
 Exemplo de montagem

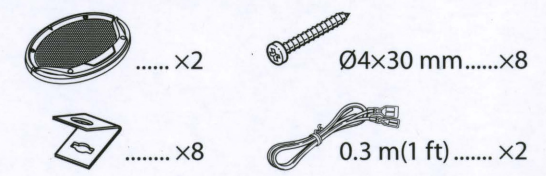


4-Ø5mm

**Connections**  
**Raccordements**  
**Conexiones**  
**Ligações**



**Parts included**  
**Pieces comprises**  
**Partes incluidas**  
**Peças inclusas**



- Do not use the provided speaker cords for other purposes (such as a power cord). Otherwise malfunction or fire hazard could result.
- Ne pas utiliser les cordons de liaison aux enceintes pour une destination autre que celle prévue (par exemple, pour alimenter un appareil). Faute de quoi, un défaut de fonctionnement ou un incendie pourraient en résulter.
- No utilize los cables de altavoces suministrados para otros propósitos (tales como los de un cable de alimentación). Si no, podrían producirse averías o peligros de incendio.
- Não utilize os fios fornecidos para altifalantes para outros propósitos (p.ex. como cabo de alimentação). Caso contrário, poderá resultar em mau funcionamento ou risco de incêndio.



# KENWOOD



**PEAK POWER**  
**400W**

1 pair

Flush Mount Speaker  
**KFC-6965S**

**6x9**  
inch

**3way**  
SPEAKER

#### SPECIFICATIONS

- Speakers
  - Woofer ..... 153 x 229 mm (6 x 9 in.) Cone
  - Tweeter ..... 50 mm (2 in.) Cone
  - Super Tweeter ..... 12 mm (1/2 in.) Ceramic
- Rated Power ..... 45 W
- Impedance ..... 4  $\Omega$
- Sensitivity ..... 92 dB / W at 1 m
- Frequency Response ..... 30 Hz - 22,000 Hz
- Cutout Diameter ..... 15.4 x 22.2 cm Oval  
(6-1/16 x 8-3/4 in. Oval)
- Mounting Depth ..... 7.6 cm (3 in.)



## IMPORTANT SAFETY INSTRUCTIONS



**To avoid the risk of human injury or property damage, be sure to read and observe the following safety cautions.**

**Have a specialist install and connect the speaker.** — Incorrect installation may lead to vehicle accident or malfunction.

**Avoid unstable installation.** — Make sure that the speaker will not rattle or displace. Otherwise, a displaced speaker may cause injury.

**Do not modify the speaker.** — Otherwise, smoke or fire may result.

**Do not touch the speaker.** — The speaker becomes hot after extended operation. Touching it in such a condition may cause burns.

**Control listening volume at an optimum level.** — If the sound outside the vehicle is inaudible, a traffic accident may result.

**In case of abnormality, stop the use and disconnect the speaker.** — If operation is continued, smoke or fire may result. Disconnect the speaker and ask servicing.







MALAYSIA	JVCKENWOOD MALAYSIA SDN. BHD.
The warranty will only be honoured in the country in which the unit was originally purchased.	
<b>EXPRESS WARRANTY STATEMENT FOR CAR STEREO AND PERSONAL AUDIO COMPONENTS</b>	
JVCKENWOOD MALAYSIA SDN. BHD. is proud of the quality and workmanship of its audio equipment. This unit has been properly designed, tested and inspected before it was shipped to you. If properly installed and operated in accordance with instructions furnished, it should give optimum reliable performance.	
<b>SCOPE OF EXPRESS WARRANTY</b>	
Each of the KENWOOD brand products is expressly warranted under normal installation and use against defects in material and workmanship. During the express warranty period, JVCKENWOOD MALAYSIA SDN. BHD. will provide to any KENWOOD Authorised Service Centre in Malaysia free of charge both parts and labour necessary to correct any defect in material or workmanship. However, the exclusions noted under the heading "CONDITIONS OF THE EXPRESS WARRANTY" are not covered by this express warranty.	
<b>EXPRESS WARRANTY PERIOD</b>	
The KENWOOD brand car stereo and personal audio components are expressly warranted for a period of <b>ONE YEAR</b> from the date of the original purchase.	
<b>CONDITIONS OF THE EXPRESS WARRANTY</b>	
When requesting service under KENWOOD express warranty record, together with a valid purchase docket must be presented to an authorised KENWOOD Service Centre with your equipment.	
The following are not covered by this express warranty:	
<ol style="list-style-type: none"> <li>Voltage conversions;</li> <li>Cabinets, grilles, other exterior finishes, belts, tape heads, and other non-durable parts and accessories.</li> <li>Any fault caused by faulty installation, water damage, the vehicle (including its electrical system) or connection to an incorrect power supply.</li> <li>Periodic check-ups which do not disclose any defects covered by the warranty.</li> <li>Units on which the serial number has been defaced, modified or removed.</li> <li>Damage or deterioration: <ol style="list-style-type: none"> <li>Resulting from installation and/or removal of the product.</li> <li>Resulting from accident, misuse, abuse, neglect, unauthorised product modification or failure to follow instructions contained in the Owner's Manual.</li> <li>Resulting from repair by anyone not authorised by KENWOOD.</li> <li>Resulting from installation of parts or accessories that do not conform to the quality or specifications of the original parts or accessories.</li> <li>Occurring during shipment (claims must be presented to shipper).</li> </ol> </li> <li>Damaged magnetic tapes.</li> <li>Installation and removal charges are not covered.</li> <li>This express warranty excludes shipping or delivery charges to or from an authorised KENWOOD Service Centre.</li> <li>The benefits conferred by this express warranty are in addition to all other rights and remedies in respect of the product which the consumer has under Sales of Goods Act 1957 (Revised 1989).</li> </ol>	
<b>EXCLUSION OF CERTAIN DAMAGES</b>	
KENWOOD's liability for any defective product is limited to the repair or replacement of said product at our option, and shall not include damages of any kind, whether incidental, consequential or otherwise.	
<b>PROCEDURE WHEN REQUESTING SERVICE UNDER THE WARRANTY</b>	
<ol style="list-style-type: none"> <li>Make your equipment available, with this warranty record and purchase docket attached, to the dealer from whom you made the purchase, or the nearest authorised KENWOOD Service Centre, or ship your equipment in its original packaging, or equivalent, fully insured and shipping charges pre-paid, to the authorised KENWOOD Service Centre.</li> <li>Attach detailed description of the problem encountered, including details of any interconnections made to associated equipment.</li> <li>Make sure you recover this card, your purchase docket and repair docket when accepting the equipment back after repair.</li> </ol>	
<b>IMPORTANT NOTICE</b>	
<ol style="list-style-type: none"> <li>Proper maintenance and use are important to the performance level of all KENWOOD brand products. Therefore, you should read your instruction manual.</li> <li>Retain your purchase docket together with this warranty record in a safe place, and present them both to prove your eligibility for warranty work.</li> <li>We recommend that you keep all the original packaging as it provides the best protection you can have for transportation of your equipment in the future.</li> <li>Location of nearest KENWOOD Service Centre will be sent upon request.</li> <li>This warranty is in addition to and not in place of such rights as the owner may have at law.</li> </ol>	
<p>JVCKENWOOD MALAYSIA SDN. BHD.          Lot 1 Persiaran Jubli Perak, Jalan 22/1, Seksyen 22, 40300 Shah Alam,          Selangor Darul Ehsan, Malaysia          TEL. (03) 5548-3330          FAX. (03) 5548-3339</p>	
<b>ATTENTION</b>	
This card and receipt (or invoice) are necessary to purchase a new panel in case of theft or damage.	

РУССКИЙ	ООО «ДжейВиСи КЕНВУД РУС»
Уважаемый покупатель!	
Благодарим Вас за покупку этого изделия марки Kenwood и надеемся, что оно Вам понравится.	
В случае, если Ваше изделие будет нуждаться в гарантийном обслуживании, пожалуйста, обращайтесь в Авторизованные Сервисные Центры Kenwood (далее АЦЦ) или в магазин, где Вы приобрели изделие Kenwood. Список сервисных центров можно получить у продавца или на сайте <a href="http://www.kenwood-rus.ru/support/service/">http://www.kenwood-rus.ru/support/service/</a>	
Данный гарантийный талон действителен только в той стране, где изначально был куплен аппарат. Настоящая гарантия будет предоставлена в дополнение к правам потребителя и не уменьшает никакие другие права, которые могут быть предоставлены покупателю законом о защите прав потребителей и другими соответствующими законами.	
Без предъявления настоящего гарантийного талона мы не сможем обеспечить гарантийное обслуживание. Просим Вас сохранять Ваш сертификат вместе с чеком покупки на весь период гарантийного обслуживания.	
На основании этой потребительской гарантии Kenwood гарантирует отсутствие в изделии дефектов в материалах и работе сроком на 1 (один) год, начиная с даты первоначальной покупки. Если в течение этого гарантийного срока в изделии обнаружатся дефекты в материалах или работе, АЦЦ Kenwood бесплатно отремонтирует это изделие и заменит его дефектные части на привезенных ниже условиях. Также мы оставляем за собой право замены изделия, если его ремонт экономически нецелесообразен.	
<b>Гарантийные условия</b>	
А. Ремонт дефектного изделия осуществляется по предъявлению потребителем четко, правильно и полностью заполненного гарантийного талона, с внесенными в него следующими данными:	
<ol style="list-style-type: none"> <li>Фамилии и адреса покупателя;</li> <li>Полного названия и адреса дилера у кого был приобретен аппарат;</li> <li>Наименования модели и серийного номера аппарата;</li> <li>А также кассового и товарного чека или любого другого документа, подтверждающим покупку изделия. Без предъявления данного талона, в случае отсутствия в нем полной информации или при наличии каких-либо изменений в талоне, претензии к качеству изделия не принимаются и гарантийный ремонт не производится.</li> </ol>	
Б. Фирма Kenwood уделяет большое внимание качеству выпускаемой продукции. При использовании ее для личных (бытовых) нужд с соблюдением правил эксплуатации срок ее службы может значительно превысить официальный срок службы, установленный в соответствии с действующим законодательством о правах потребителей. Адаптация и изменения с обычной сферы применения изделия, указанной в инструкции по эксплуатации настоящей гарантией не покрываются.	
С. Настоящая гарантия не распространяется на следующее:	
<ol style="list-style-type: none"> <li>ремонт предусмотрен Инструкцией по эксплуатации или является частью обычного технического обслуживания, включая периодические проверки, чистку аудио/видео головок;</li> <li>ремонт, произведенный не уполномоченными на то сервисными центрами или другими лицами или организациями не имеющих юридических полномочий производить ремонт;</li> <li>изделие вышло из строя в результате механического повреждения, воздействия на него домашних животных или насекомых, некачественной установки или неправильного использования;</li> <li>повреждение изделия вызванное несчастным случаем, механическим повреждением, ударом молнии, затоплением, пожаром, неправильной вентиляции, колебаний напряжения и иных причин, находящихся вне контроля Kenwood;</li> <li>громкоговорители поврежденные колебанием напряжения не соответствующим спецификации, и повреждения или потеря программного обеспечения или съемных носителей, не являющихся частью изделия Kenwood;</li> <li>расходные материалы нуждающиеся в замене, такие как (но не ограничиваясь): аудио/видео головок, все виды батарей, шнуров, разъемов и прочих деталей, обладающих ограниченным сроком использования;</li> <li>если серийный номер или номер модели на изделии изменен, удален, стерт или неразборчивый.</li> </ol>	
Настоящая гарантия распространяется только на официально поставляемые изделия.	
Настоящая гарантия действительна только для изделий используемых для личных бытовых нужд, и не распространяется на изделия, которые используются для коммерческих, промышленных или профессиональных целей.	
<p><b>Производитель: ДжейВиСи Кенвуд Корпорейшн          Импортёр и Представитель Производителя в России:          ООО «ДжейВиСи КЕНВУД РУС»          127018, Москва, ул. Суцевский Вал, дом 31, строение 1          Для получения подробной информации по продуктам Kenwood, пожалуйста,          посетите сайт <a href="http://www.kenwood-rus.ru">www.kenwood-rus.ru</a></b></p>	
<b>ВНИМАНИЕ</b>	
Гарантийный талон и чек (товарный или кассовый) необходимы для приобретения новой панели в случае ее потери/кражи или повреждения.	

Download from [www.Somanuals.com](http://www.Somanuals.com). All Manuals Search And Download

AUSTRALIA / NEW ZEALAND	JVC KENWOOD AUSTRALIA PTY. LTD.
The warranty will only be honored in the country in which the unit was originally purchased.	
<b>EXPRESS WARRANTY STATEMENT FOR CAR STEREO AND PERSONAL AUDIO COMPONENTS</b>	
JVC KENWOOD AUSTRALIA PTY. LTD. ("JVC KENWOOD") is proud of the quality and workmanship of its audio equipment. This unit has been properly designed, tested and inspected before it was shipped to you. If properly installed and operated in accordance with instructions furnished, it should give optimum reliable performance.	
<b>For Australian Customers</b>	
Our goods comes with guarantees that cannot be excluded under the Australian Consumer Law. Under Australian Consumer Law, you are entitled to a replacement or refund for a major failure and for compensation for any other reasonably foreseeable loss or damage. You are also entitled to have the goods repaired or replaced if the goods fail to be of acceptable quality and the failure does not amount to a major failure.	
The benefits of this warranty are in addition to any rights and remedies imposed by Australian State and Federal legislation that cannot be excluded. Nothing in this warranty is to be interpreted as excluding, restricting or modifying any State or Federal legislation applicable to the supply of goods and services which cannot be excluded, restricted or modified.	
<b>For New Zealand Customers</b>	
The benefits of the express warranty described below are in addition to your statutory rights and remedies under the Consumer Guarantees Act 1993 that cannot be excluded. If you are acquiring Product for the purposes of a business, to the extent permitted by law, the Consumer Guarantees Act 1993 does not apply. Otherwise nothing in this warranty is to be interpreted as excluding, or restricting, the Consumer Guarantees Act 1993. To the extent permitted by law, all other warranties, guarantees or representations (whether implied by statute, common law or custom of the trade or otherwise) in respect of the Product, not expressly included in this warranty, are excluded.	
<b>SCOPE OF EXPRESS WARRANTY</b>	
Subject to the "EXCLUSIONS", "PROCEDURE WHEN REQUESTING SERVICE UNDER THE EXPRESS WARRANTY" and "LIMITATIONS" below, each of the KENWOOD brand products ("Products") is expressly warranted under normal installation and use against defects in material and workmanship during the Warranty Period.	
This warranty is not transferable to a subsequent customer if the Product is sold by the original purchaser during the Warranty Period. During the Warranty Period, JVC KENWOOD will cause the Product or the defective part of the Product to be repaired by providing to any JVC KENWOOD Authorized Service Centre in Australia or New Zealand (as applicable to country of purchase) free of charge parts necessary to correct any defect in material or workmanship. JVC KENWOOD reserves the right to replace defective parts of the Product with parts and components of similar quality, grade and composition where an identical part or component is not available. Products presented for repair may be replaced by refurbished products of the same type rather than being repaired. Refurbished parts may be used to repair the goods.	
<b>WARRANTY PERIOD</b>	
The KENWOOD brand car stereo is expressly warranted for a period of <b>ONE YEAR</b> from the date of the original purchase.	
<b>CONDITIONS OF THE EXPRESS WARRANTY</b>	
The following are not covered by this express warranty:	
<ol style="list-style-type: none"> <li>Voltage conversions;</li> <li>Cabinets, grilles, other exterior finishes, belts, tape heads, and other nondurable parts and accessories;</li> <li>Any fault caused by faulty installation, water damage, the vehicle (including its electronically system) or connection to an incorrect power supply;</li> </ol>	
<b>ATTENTION</b>	
This card and receipt (or invoice) are necessary to purchase a new panel in case of theft or damage.	

<ol style="list-style-type: none"> <li>Periodic check-ups which do not disclose any defects covered by this warranty;</li> <li>Products on which the serial number has been defaced, modified or removed;</li> <li>Products that have been subject to abnormal conditions, including environment, temperature, water, fire, humidity, pressure, stress or similar;</li> <li>Alleged defects that are within acceptable industry variances;</li> <li>Damage or deterioration: <ol style="list-style-type: none"> <li>Resulting from installation and/or removal of the product.</li> <li>Resulting from accident, misuse, abuse, neglect, unauthorized product modification or failure to follow instructions contained in the Owner's Manual.</li> <li>Resulting from installation of parts or accessories that do not conform to the quality or specifications of the original parts or accessories.</li> <li>Occurring during shipment (claims must be present to shipper); and</li> <li>Damaged magnetic tapes.</li> </ol> </li> </ol> <p>The warranty does not extend to:</p> <ol style="list-style-type: none"> <li>Installation and removal charges; or</li> <li>Shipping charges to or from an authorised JVC KENWOOD Service Centre.</li> </ol>	<p><b>PROCEDURE WHEN REQUESTING SERVICE UNDER THE WARRANTY</b></p> <ol style="list-style-type: none"> <li>When requesting service under JVC KENWOOD warranty, preferably make your Product available for inspection and testing to the dealer from whom you made the purchase, or to the nearest Authorised JVC KENWOOD Service Centre for KENWOOD products, or ship your Product in its original packaging, or equivalent, with shipping charges and insurance prepaid, to the Authorised JVC KENWOOD Service Centre for KENWOOD products. Otherwise, contact JVC KENWOOD at the contact address listed below. <ul style="list-style-type: none"> <li>Attach the following to the Product: <ul style="list-style-type: none"> <li>the warranty record in the back of this page together;</li> <li>a valid purchase docket attached; and</li> <li>detailed description of the problem encountered, including details of any problems which relate to associated equipment.</li> </ul> </li> <li>If such inspection and testing find no defect in the Product, the purchaser, at JVC KENWOOD'S discretion must pay JVC KENWOOD'S cost of service work, evaluation and testing.</li> <li>Make sure you recover this card, your purchase docket and repair docket when accepting the equipment back after repair or after your claim is received.</li> </ul></li></ol>
<b>IMPORTANT NOTICE</b>	
<ol style="list-style-type: none"> <li>Proper maintenance and use are important to the performance level of all KENWOOD brand products. Therefore, you should read your instruction manual.</li> <li>Retain your purchase docket together with this warranty record in a safe place, and present them both to prove your eligibility for warranty service.</li> <li>We recommend that you keep all the original packaging as it provide the best protection you can have for transportation of your equipment in the future.</li> <li>Location of nearest JVC KENWOOD Service Centre can be obtained from the dealer.</li> </ol>	
<b>LIMITATIONS</b>	
To the extent permitted by law, JVC KENWOOD makes no express warranties or representations other than set out in this warranty. The repair or replacement of the unit or part of the unit is the absolute limits of JVC KENWOOD'S liability under this express warranty.	
<p>JVC KENWOOD AUSTRALIA PTY. LTD.          4 TALavera ROAD, NORTH RYDE          N.S.W. 2113, AUSTRALIA          TEL. (02) 8879-2211          FAX. (02) 8879-2255  <a href="mailto:svcept@kenwood.com.au">svcept@kenwood.com.au</a></p>	

BRASIL	JVC KENWOOD DO BRASIL COMÉRCIO DE ELETRÔNICOS LTDA
O fabricante garante o produto identificado na Nota Fiscal de venda ao consumidor contra qualquer defeito de fabricação ou de matéria-prima durante o período de garantia. Esta garantia é válida no território brasileiro desde que o produto tenha sido adquirido no Brasil e distribuído pela JVC KENWOOD do Brasil Comércio de Eletrônicos Ltda.	
<b>PERÍODO DE GARANTIA</b>	
Este produto é garantido pelo prazo de 01 (um) ano, incluindo o período estabelecido por lei, a partir da data de aquisição, comprovada mediante a apresentação da respectiva Nota Fiscal de venda ao consumidor final. Eventuais reparos realizados no produto durante o período de garantia não implicam na dilatação do seu prazo.	
<b>EXCLUSÃO DA GARANTIA</b>	
<ol style="list-style-type: none"> <li>Produtos com o número de série ou certificado de garantia rasurados, adulterados ou ilegíveis;</li> <li>Defeitos resultantes de acidentes (quedas, batidas e etc), uso em desacordo com o manual de instruções, má utilização, ligação à fonte de tensão diferente da especificada no Manual de Instruções, modificações não autorizadas;</li> <li>Danos causados por agentes da natureza (Ex: chuvas, raios, metais, enchentes e etc);</li> <li>Defeitos ou danos em decorrência de consertos realizados por pessoas não autorizadas;</li> <li>Defeitos ou danos resultantes do uso de peças ou dispositivos não conformes às especificações da JVC KENWOOD;</li> <li>Danos ou deteriorações aos acabamentos externos, partes cosméticas, cabos, chicotes, parafusos de fixação, luvas, alças, bolsos, estojos, adaptadores, antenas, fitas, cabeças gravadoras, CDs ou danos causados por pilhas defeituosas ou com vazamento;</li> <li>Defeitos ou danos devido ao transporte (reclamações devem ser feitas junto à empresa transportadora);</li> <li>Qualquer outra causa que não esteja relacionada a defeitos de matéria-prima e de fabricação;</li> <li>Danos causados por tentativa de roubo ou furto;</li> <li>Danos causados por uso de CDs de má qualidade;</li> <li>Danos decorrentes do desgaste natural do produto;</li> <li>Danos causados por mau uso. (derramamento de líquidos e/ou alimentos, corrosão, oxidação, exposição à umidade ou situações climáticas extremas, riscos ou quedas).</li> </ol>	
<b>CONSERTO EM GARANTIA</b>	
É indispensável a apresentação deste Certificado de Garantia devidamente preenchido, acompanhado da respectiva Nota Fiscal de compra do produto, desde que não apresente rasuras ou modificações. O consumidor somente terá direito a estes benefícios, quando o produto for entregue diretamente no balcão de um Serviço Autorizado da JVC KENWOOD.	
<b>O QUE NÃO É COBERTO PELA GARANTIA</b>	
Instalação e remoção do produto, despesas de frete, seguro e embalagem são de responsabilidade do proprietário. Este produto é destinado exclusivamente ao uso doméstico.	
<b>IMPORTANTE:</b>	
Para qualquer informação sobre seu equipamento JVC KENWOOD, ou para obter o endereço do Serviço Autorizado mais próximo, acesse o site <a href="http://www.kenwood.com.br">www.kenwood.com.br</a> , ou ligue para a Central de Atendimento JVC KENWOOD – Tel.: +55 (11) 3777-6771 com os dados abaixo preenchidos.	
<p><b>JVC KENWOOD DO BRASIL COMÉRCIO DE ELETRÔNICOS LTDA</b>          Tel: (11) 3777-6771  <a href="http://www.kenwood.com.br">www.kenwood.com.br</a></p>	
Nome do consumidor: _____	
Endereço: _____	CEP: _____
Cidade: _____	Estado: _____
Telefone: _____	
Data da compra: ____ / ____ / ____	Nota Fiscal: _____
<b>ATENÇÃO</b>	
Este cartão de garantia do painel frontal este Certificado de Garantia e a Nota Fiscal de compra serão requisitados para a aquisição de um novo painel.	



## Free Manuals Download Website

<http://myh66.com>

<http://usermanuals.us>

<http://www.somanuals.com>

<http://www.4manuals.cc>

<http://www.manual-lib.com>

<http://www.404manual.com>

<http://www.luxmanual.com>

<http://aubethermostatmanual.com>

Golf course search by state

<http://golfingnear.com>

Email search by domain

<http://emailbydomain.com>

Auto manuals search

<http://auto.somanuals.com>

TV manuals search

<http://tv.somanuals.com>