

# SW-200 Powered Subwoofer Owner's Manual



## Introduction

Congratulations! The Kenwood SW-200 Powered Subwoofer will bring a new level of bass to your stereo system. Installing the subwoofer isn't difficult, but please read and follow all of the instructions on these pages to get maximum performance from your SW-200.

If you're installing this subwoofer as part of the Kenwood KSS-200 or KSS-500 packages, or if you're connecting other equipment, such as a receiver, power amplifier or pre-amplifier, use this manual in combination with the manuals that came with those components.

## Unpacking

In this box you should have:

1 SW-200 Powered Subwoofer

4 optional mounting feet (and 4 anchor screws)

Unpack the subwoofer carefully, and examine it for shipping damage. If it is damaged or fails to operate, notify your Kenwood dealer immediately. If it was shipped to you directly, notify the shipping company without delay. Only the person or company who originally received the speaker can file a claim against the carrier for shipping damage.

Keep the original carton and packing materials in case you need to transport or ship your subwoofer in the future.

## What else will you need?

To connect the subwoofer to your receiver or amplifier, you will need:

Speaker wire or an RCA-type audio cable

For best performance, use 16-gauge (or thicker) speaker wire. (Remember, the smaller the number, the thicker the wire—so 16-gauge wire is thicker than 20-gauge wire).

Be sure to get enough speaker wire or an RCA-type cable that's long enough to allow you to move the subwoofer around while you find the right location for it.

## Before you get started

A few notes of caution about setting up and using your new subwoofer:

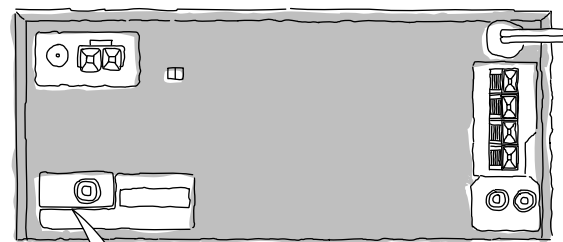
- Before you connect the subwoofer to your receiver or amplifier, make sure that the power cords on both units are unplugged from the wall outlet until you've finished connecting the two
- To avoid damage to the subwoofer, do not increase the output of the amplifier to a high level while the amplifier's bass control or loudness control are activated
- When playing a vinyl record (LP), set the amplifier volume to its minimum level before placing the stylus on the record

# KENWOOD

# Connecting the SW-200 to your audio system

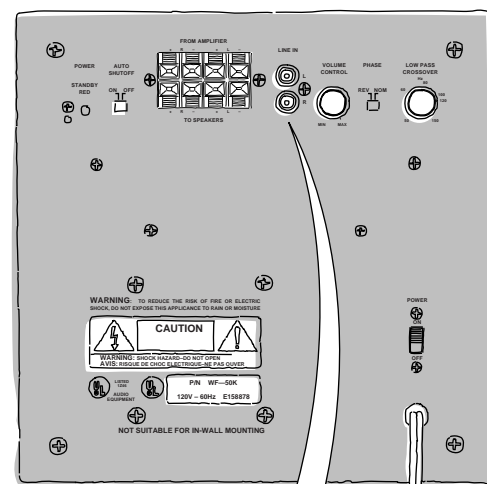
If your receiver or amplifier has a subwoofer pre-amp output:  
(using the pre-amp output will give you the best performance from your subwoofer)

Receiver or amplifier



Connect one end of an RCA-type shielded audio cable to the SUBWOOFER PRE-OUT connection on the receiver or amplifier

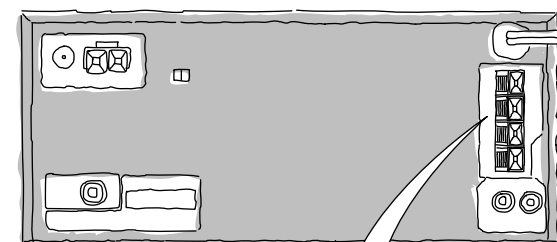
SW-200 Subwoofer



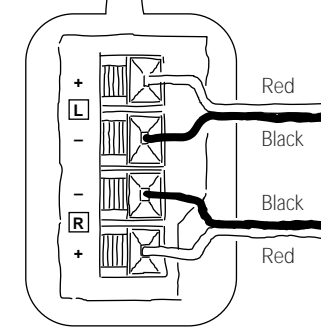
Connect the other end of the cable to either one of the LINE IN connections on the subwoofer

If your receiver or amplifier has no subwoofer pre-amp output:

Receiver or amplifier



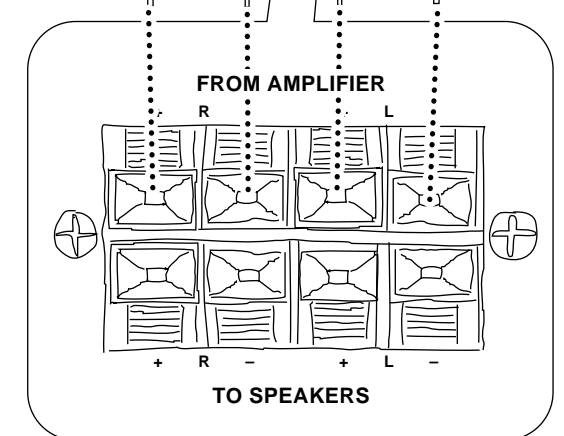
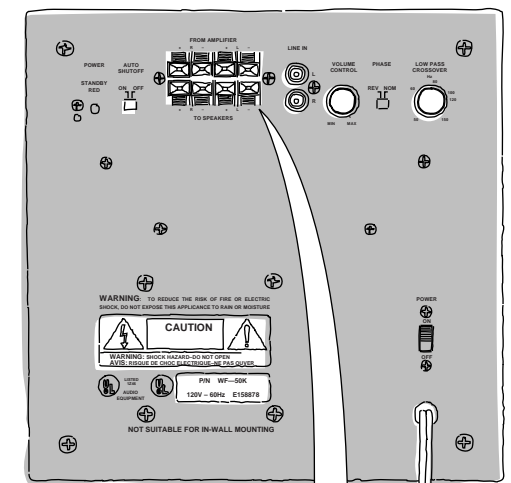
Connect one end of the left and right speaker wires to the LEFT and RIGHT Front speaker connectors on the receiver or amplifier



Connect the other end of the left and right speaker wires to the left and right FROM AMPLIFIER connectors on the subwoofer

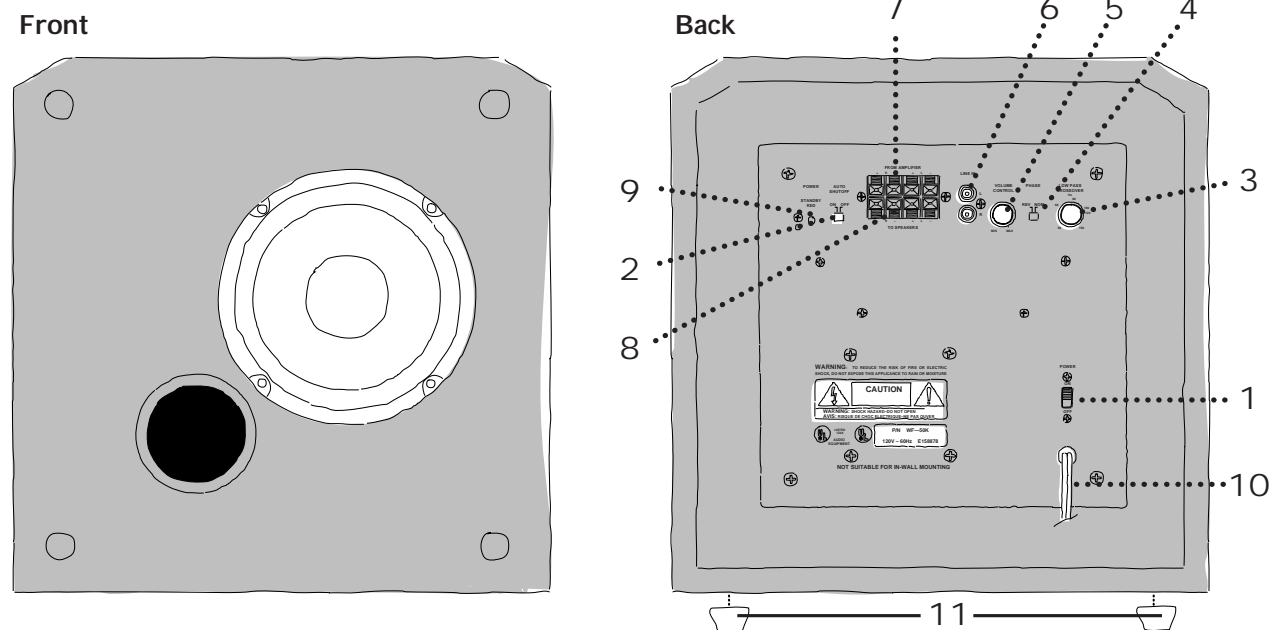
Connect your left and right main speakers to the TO SPEAKERS connectors on the subwoofer

SW-200 Subwoofer



Caution: When connecting the speaker to the amplifier or receiver, be sure to always connect the positive (+) terminals to each other, and the negative (-) terminals to each other. Connecting the wrong terminals together could damage the amplifier or cause poor sound quality.

# Exploring and using the unit



## 1 POWER

Turns the power on and off

## 2 AUTO SHUTOFF

When both the POWER and AUTO SHUTOFF switches are on, the unit turns on automatically when the input receives a signal, and automatically goes into 'standby' mode if it doesn't receive a signal for 7 minutes

## 3 LOW PASS CROSSOVER ADJUSTMENT

Adjusts the balance between the bass from the front speakers and the bass from the subwoofer

You can adjust the balance according to the size of the front speakers as follows:

Large size	50 ~ 60 Hz
Medium size	80 ~ 100 Hz
Small size	120 ~ 150 Hz

After you set the crossover, you can fine-tune it for the best match between the subwoofer and your front speakers

## 4 PHASE

Switches the subwoofer's polarity to better match the front speakers

## 5 VOLUME CONTROL

Adjusts the volume level of the subwoofer

## 6 LINE IN jack (RCA-type)

Connects to the SUBWOOFER PRE-AMP OUTPUT jack of an amplifier or receiver

## 7 FROM AMPLIFIER jacks

Connects to the LEFT and RIGHT speaker jacks of an amplifier or receiver

## 8 TO SPEAKERS jacks

Connects to the speaker cables from the front speakers

## 9 STANDBY indicator light

Shows that the subwoofer is in Standby mode when it is red, and in Operating mode when it is green

## 10 Power cord

Connects to a 110 - 120 volt AC power outlet

## 11 Optional feet

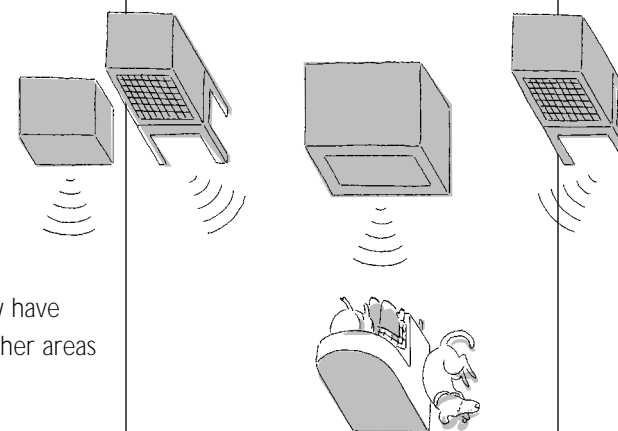
If you want to use them, attach the 4 feet (using the 4 screws provided) to the pre-drilled holes on the bottom of the subwoofer

# Placing the SW-200

Placing your SW-200 Powered Subwoofer is very easy. Because the SW-200 (or any subwoofer) is non-directional (it does not send its soundwaves out in a particular direction), where you place it is not as critical as it is for your left and right speakers. It will sound fine no matter where you place it in the room. However, here are a few suggestions for getting the most out of the subwoofer.

## Some suggestions for placement

- For the smoothest match between the subwoofer and the front (left and right) speakers, place the 3 of them in an imaginary straight line with each other
- For more deep bass output, place the subwoofer next to a wall
- For the deepest bass overall, place the subwoofer in a corner. However, this may yield uneven bass throughout the room—some areas may have too much bass, while other areas may not have enough



- Once you settle on a location, be sure to leave yourself some room for minor movements of a few inches—this can help fine-tune the sound in the seating area
- If you place the subwoofer near your TV, it may affect the picture colors. If this happens, move the subwoofer away from the TV until the picture returns to normal

## Using the Subwoofer with Kenwood's KSS-200 or KSS-500 packages

- When you are setting up the KSS-200 or KSS-500 packages, you should set the LOW PASS CROSSOVER, VOLUME, and

PHASE on the SW-200 so it works the best with the front (left and right) speakers. Here are our recommendations:

- Set the subwoofer's LOW PASS CROSSOVER knob to the '150Hz' setting
- Initially set the subwoofer's VOLUME control to the '11-o'clock' position
- After listening to music you are familiar with, adjust the subwoofer's VOLUME control and PHASE switch to achieve the best blend between the sound from the subwoofer and the sound of the front speakers
- Although you can enhance overall sound quality with the amplifier or receiver's tone controls, do not set them to 'maximum', because this can cause extreme amplifier distortion ('clipping') that can damage speakers

# Safety First

Please read these safety instructions carefully. They can help prevent electrical shock, fire, and damage to the unit.

## Safety Symbols

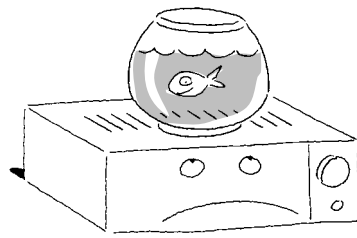


We've placed these safety symbols on the back of electrically-powered units to alert you to the danger of electrical shock. Do NOT remove the cover or back of the unit, because there are operating electrical parts inside that can cause electrical shock. If the unit needs servicing, take it to qualified service personnel—do NOT try to open the unit and service it yourself.

## Safety Precautions

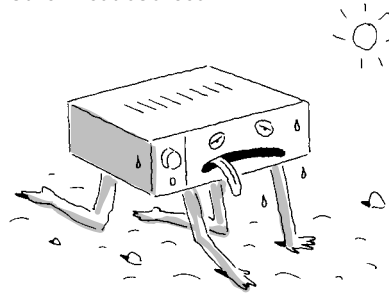
### For all units

1. Dispose of the packaging materials properly. After you take the unit out of its shipping bag, dispose of the bag, keeping it out of the reach of children and animals. Be aware that the bag could cause suffocation.



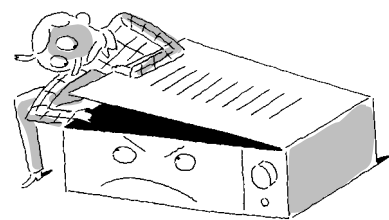
2. Protect your unit from moisture. Don't place your unit near water—for example, a bathtub, kitchen sink, laundry tub, wet basement, or near a swimming pool.

3. Keep your unit out of extreme hot and cold. Your unit may not work properly if it is used at extremely low or freezing temperatures. Don't place your unit near radiators, heat registers, stoves, or other heat sources.

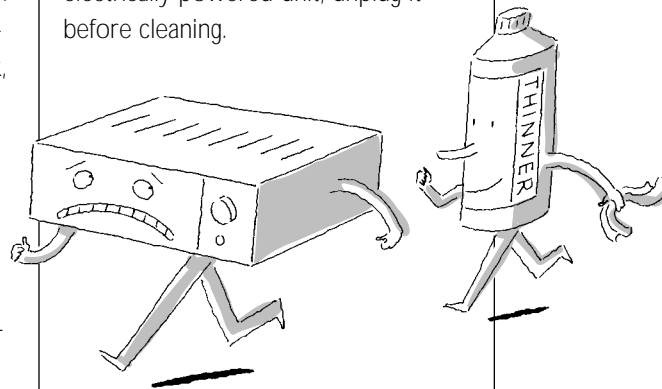


4. Don't put objects or liquids into the unit! NEVER permit children to put anything into the unit.

5. NEVER try to open the unit or take it apart.



6. To clean, use a clean, dry cloth. To avoid damage, NEVER use volatile solvents such as alcohol, paint thinner, gasoline, benzene, etc. to clean the cabinet. If this is an electrically-powered unit, unplug it before cleaning.



7. Do NOT attempt to service this unit. You should take the unit to qualified service personnel for repair when:

- Objects have fallen or liquids have been spilled into the unit
- The unit has been exposed to moisture
- The unit doesn't appear to operate normally or exhibits a marked change in performance
- The unit has been dropped or the case has been damaged

8. To prevent distortion (and in some cases, discoloration of TV pictures), keep the unit away from sources of magnetic fields, such as TVs, radios, motorized toys, or magnetized objects. If the unit is magnetically-shielded (the manual

will state this), it is not subject to these problems.

9. Do NOT place the unit on an unstable cart, shelf, stand, tripod, bracket, or table. If you mount the unit, follow the instructions in the manual and, if possible, use a mounting bracket recommended for the unit. If you place the unit on a moveable cart, use caution when moving the cart to avoid overturning it.

### Additional safeguards for electrically-powered units

1. If you see smoke or smell anything unusual near your unit, turn off the entire system immediately, and unplug it from the wall. Then contact your Kenwood dealer or nearest service center.

2. Only connect the unit to a power supply that matches that described in the technical specifications in the back of the manual that came with it. If you are not sure of the type of power supply in your home, ask your Kenwood dealer or your local power company for help. To avoid the possibility of fire or electrical shock, do NOT overload the electrical outlet or any extension cords.

3. Place the power supply cords in such a way that they will not be walked on or pinched by items placed against them. Never pull or stretch power cords, and use special care with the cords at the plugs, in a

power outlet, and at the point they connect to the unit.

4. Each unit is equipped with a polarized power plug (with one blade wider than the other) that only fits one way into an electrical outlet, as a safety feature. If you cannot fit the plug into your electrical outlet, try turning the plug over. If it still doesn't fit, you may need to have an electrician replace your outlet with a new one that is UL-approved.

5. Each unit has ventilation openings to keep it from overheating. Do NOT cover or block these openings. Place the unit at least 6 in from the wall so that it is properly ventilated.

6. Before a lightning storm or when you leave the unit unattended and unused for long periods of time, unplug it from the wall outlet and any antenna or cable. This can prevent damage to the unit from lightning and power-line surges.

## Specifications:

<b>Type</b>	Subwoofer system with built-in amplifier
<b>Amplifier</b>	
Power handling	50 watts RMS into 4 ohms, from 20 Hz to 200 Hz, with no more than 0.04% total harmonic distortion
Phase switching	Normal, Reverse
Input sensitivity and input impedance	
RCA-type jack	50 mV (10 k-ohms)
Push-type terminals	1.0 V (4.7 k-ohms)
Supply voltage	AC 110 V ~ 120 V
Rated power consumption	60 watts
<b>Speaker</b>	
Enclosure	Vented
Speaker units	8 in (200 mm) cone-type
Nominal impedance	4 ohms
Width	13 in (330 mm)
Height	13 in (330 mm)
Depth	13 in (330 mm) with grille
Net weight	25 lbs
Supplied accessories	Feet (4)

Since Kenwood follows a policy of continuous advancement in development, these specifications may change without notice.

KENWOOD USA CORPORATION  
PO Box 22745  
Long Beach, California 90801-5745



Printed on recycled paper using  
10% post-consumer waste.

## Free Manuals Download Website

<http://myh66.com>

<http://usermanuals.us>

<http://www.somanuals.com>

<http://www.4manuals.cc>

<http://www.manual-lib.com>

<http://www.404manual.com>

<http://www.luxmanual.com>

<http://aubethermostatmanual.com>

Golf course search by state

<http://golfingnear.com>

Email search by domain

<http://emailbydomain.com>

Auto manuals search

<http://auto.somanuals.com>

TV manuals search

<http://tv.somanuals.com>