

KENWOOD

SW-508

POWERED SUBWOOFER

INSTRUCTION MANUAL

SUBWOOFER AVEC AMPLIFICATEUR INCORPORE

MODE D'EMPLOI

SUBWOOFER MIT EINGEBAUTEN VERSTÄRKER

BEDIENUNGSANLEITUNG

SUBWOOFER MET INGEBOUWDE VERSTERKER

GEBRUIKSAANWIJZING

SUBWOOFER CON AMPLIFICATORE INCORPORATO

ISTRUZIONI PER L'USO

SUBWOOFER AMPLIFICADOR

MANUAL DE INSTRUCCIONES

KENWOOD CORPORATION



LA DICHIARAZIONE DI CONFORMITA'
"CE" DI QUESTO

PRODOTTO E' DEPOSITATA PRESSO:

KENWOOD ELECTRONICS EUROPE B.V.

AMSTERDAMSEWEG 37
1422 AC UITHOORN
THE NETHERLANDS

ENGLISH

FRANÇAIS

DEUTSCH

NEDERLANDS

ITALIANO

ESPAÑOL

Before applying power

 **Caution: Read this page carefully to ensure safe operation.**

Units are designed for operation as follows.

U.S.A. and Canada AC 120V only
Europe and U.K. AC 230V only





Australia AC 240V only
Other countries AC 110-120 / 220-240 V only
switchable*

CAUTION

The power in this equipment will not be completely cut off from the AC wall outlet when the main switch is turned OFF.

Safety precautions

WARNING : TO PREVENT FIRE OR ELECTRIC SHOCK, DO NOT EXPOSE THIS APPLIANCE TO RAIN OR MOISTURE.

	CAUTION RISK OF ELECTRIC SHOCK DO NOT OPEN		CAUTION: TO REDUCE THE RISK OF ELECTRIC SHOCK, DO NOT REMOVE COVER (OR BACK). NO USER-SERVICEABLE PARTS INSIDE. REFER SERVICING TO QUALIFIED SERVICE PERSONNEL.
	THE LIGHTNING FLASH WITH ARROWHEAD SYMBOL, WITHIN AN EQUILATERAL TRIANGLE, IS INTENDED TO ALERT THE USER TO THE PRESENCE OF UNINSULATED "DANGEROUS VOLTAGE" WITHIN THE PRODUCT'S ENCLOSURE THAT MAY BE OF SUFFICIENT MAGNITUDE TO CONSTITUTE A RISK OF ELECTRIC SHOCK TO PERSONS.		
	THE EXCLAMATION POINT WITHIN AN EQUILATERAL TRIANGLE IS INTENDED TO ALERT THE USER TO THE PRESENCE OF IMPORTANT OPERATING AND MAINTENANCE (SERVICING) INSTRUCTIONS IN THE LITERATURE ACCOMPANYING THE APPLIANCE.		

Introduction

Thank you for selecting our speakers as part of your high-fidelity system. We at KENWOOD are confident that your choice will bring you years of rich listening pleasure. Please take the time to read through this booklet carefully. It will help you to obtain the peak performance for which the speakers were designed.

For your records

Record the serial number, found on the back of the unit, in the spaces designated on the warranty card, and in the space provided below. Refer to these model and serial numbers whenever you call upon your KENWOOD dealer for information or service on this product.

SW-508 Serial number _____

Unpacking

Unpack the unit carefully and make sure that all accessories are put aside so they will not be lost.

Examine the unit for any possibility of shipping damage. If your unit is damaged or fails to operate, notify your dealer immediately. If your unit was shipped to you directly, notify the shipping company without delay. Only the consignee (the person or company receiving the unit) can file a claim against the carrier for shipping damage.

We recommend that you retain the original carton and packing materials for use should you transport or ship the unit in the future.

Keep this manual handy for future reference.



Please read all of the safety and operating instructions before operating this appliance. Adhere to all warnings on the appliance and in the instruction manual. Follow all the safety and operating instructions. These safety and operating instructions should be retained for future reference.

1. Power sources – The appliance should be connected to a power supply only of the type described in the instruction manual or as marked on the appliance. If you are not sure of the type of power supply to your home, consult your appliance dealer or local power company. For appliances intended to operate from battery power, or other sources, refer to the instruction manual.

2. Power-cord protection – Power-supply cords should be routed so that they are not likely to be walked on or pinched by items placed upon or against them, pay particular attention to cords at plugs, convenience receptacles, and the point where they exit from the appliance.

3. Ventilation – Slots and openings in the cabinet are provided for ventilation and to ensure reliable operation of the appliance and to protect it from overheating, and these openings must not be blocked or covered. The appliance should be situated so that its location or position does not interfere with its proper ventilation. To maintain good ventilation, do not put records or a table-cloth on the appliance. Place the appliance at least 10 cm away from the walls. Do not use the appliance on a bed, sofa, rug or similar surface that may block the ventilation openings. This appliance should not be placed in a built-in installation such as a bookcase or rack unless proper ventilation is provided or the manufacturer's instructions have been adhered to.

4. Water and moisture – The appliance shall not be exposed to dripping and splashing - for example, near a bathtub, washbowl, kitchen sink, laundry tub, in a wet basement, or near a swimming pool, etc. Do not place an object containing liquid, such as a flower vase, on the appliance.

5. Temperature – The appliance may not function properly if used at extremely low, or freezing temperatures. The ideal ambient temperature is above +5°C (41°F).

6. Heat – The appliance should be situated away from heat sources such as radiators, heat registers, stoves, or other appliances (including amplifiers) that produce heat. Do not place a flaming object, such as a candle or lantern, on or near the appliance.

7. Electric shock – Care should be taken so that objects do not fall and liquid is not spilled into the enclosure through openings. If a metal objects, such as a hair pin or a needle, comes into contact with the inside of this appliance, a dangerous electric shock may result. For families with children, never permit children to put anything, especially metal, inside this appliance.

8. Enclosure removal – Never remove the enclosure. If the internal parts are touched accidentally, a serious electric shock might occur.

9. Cleaning – Unplug this appliance from the wall outlet before cleaning. Do not use volatile solvents such as alcohol, paint thinner, gasoline, or benzine, etc. to clean the cabinet. Use a clean dry cloth.

10. Lightning – For added protection for this appliance during a lightning storm, or when it is left unattended and unused for long periods of time, unplug it from the wall outlet and disconnect the antenna or cable system. This will prevent damage to the appliance due to lightning and power-line surges.

11. Abnormal smell – If an abnormal smell or smoke is detected, immediately turn the power OFF and unplug the appliance from the wall outlet. Contact your dealer or nearest service center.

12. Damage requiring service – The appliance should be serviced by qualified service personnel when:

- A.** The power-supply cord or the plug has been damaged.
- B.** Objects have fallen, or liquid has been spilled into the appliance.
- C.** The appliance has been exposed to rain or water.
- D.** The appliance does not appear to operate normally by following the instruction manual. Adjust only those controls that are covered by the instruction manual as an improper adjustment of other controls may result in damage and will often require extensive work by a qualified technician to restore the appliance to its normal operation.
- E.** The appliance has been dropped, or the enclosure damaged.
- F.** The appliance exhibits a marked change in performance.

13. Servicing – The user should not attempt to service the appliance beyond that described in the instruction manual. All other servicing should be referred to qualified service personnel.

14. Power lines – An outside antenna system should not be located in the vicinity of overhead power lines or other electric light or power circuits, or where it can fall into such power lines or circuits. When installing an outside antenna system, extreme care should be taken to keep from touching such power lines or circuits as contact with them might be fatal.

15. AC outlets – Do not connect other audio equipment with a power consumption larger than that specified to the AC outlet on the rear panel. Never connect other electrical appliances, such as an iron or toaster, to it to prevent fire or electric shock.

16. Overloading – Do not overload wall outlets, extension cords, or integral convenience receptacles as this can result in a risk of fire or electric shock.




17. Attachment – Do not use attachments not recommended by the appliance manufacturer as they may cause hazards.

18. Replacement parts – When replacement parts are required, be sure the service technician has used replacement parts specified by the manufacturer or have the same characteristics as the original parts. Unauthorized substitutions may result in fire, electric shock, or other hazards.

19. Safety check – Upon completion of any service or repairs to this appliance, ask the service technician to perform safety checks to determine that the appliance is in proper operating condition.

Contents

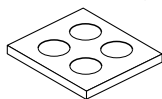
Caution: Read the pages marked  carefully to ensure safe operation.

 Before applying power	2
 Safety precautions	2
Introduction	2
 IMPORTANT SAFEGUARDS	3
Installation	4
Connections	5
Controls and indicators	7
Specifications	8

ENGLISH

Accessories

Pin-plug cord 1 Cushion 4 (1 sheet)



Attaching the cushions

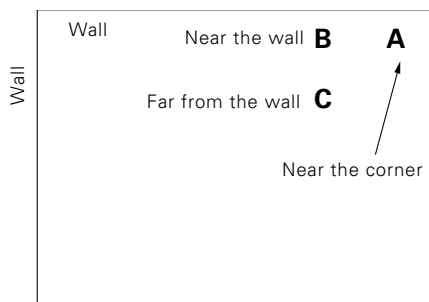
Attach four cushions to the base of the subwoofer, one at each corner. The cushions prevent the subwoofer from sliding, and dampen its vibrations.

Installation

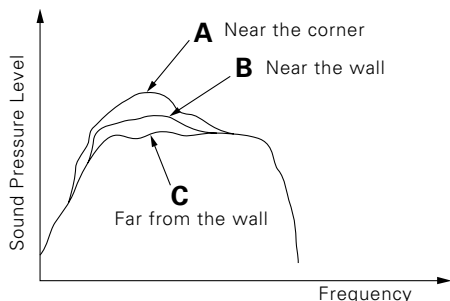
The Subwoofer is a virtually omnidirectional speaker, so it can be installed in almost any location. For example, the Subwoofer can be installed next to the component system (consisting of an amplifier, tuner, cassette deck, etc.), or in a corner of the room, etc.. The subwoofer's deep-bass reproduction characteristics are richest when the subwoofer is installed in a corner or near a wall. Since the low-bass component in music is usually monaural, only one subwoofer is necessary to obtain a sufficient stereo effect when used in combination with a stereo music system.

Howling

If the Subwoofer is installed near an analog record turntable, a howling sound may be generated. If this occurs, place the Subwoofer farther away from the turntable or reduce the Subwoofer volume (By rotating the VOLUME control counterclock-wise). The howling phenomenon may also occur due to cross interference with a cassette deck, compact disc player, or Laserdisc player, although this is very rare. If sound or picture seems to be distorted due to this reason, place the Subwoofer farther away from other components or reduce its volume.



Speaker installation position, viewed from above



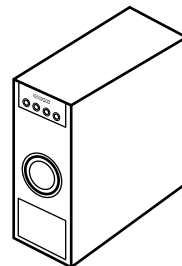
Operation near a TV

If the Subwoofer is installed near a TV set, the TV reception may be affected and interfered with color irregularities. Should color irregularities observed on TV screen, separate the Subwoofer from the TV until its reception becomes normal.

Caution

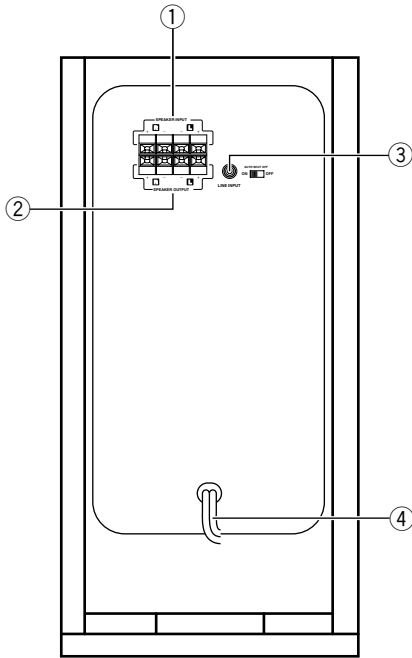
To assure ventilation, observe the following points when installing the unit. **Vertical installation**

- Leave a distance of more than 10 cm between the Subwoofer back and the surrounding wall(s). Use special care not to cover the heat sink with a curtain, etc. when installing.
- Be sure to install the Subwoofer vertically.



Connections

Before connecting



CAUTION

Set the **POWER** switches of the amplifier or receiver and Subwoofer to **OFF**. If they are connected with the **POWER** switch(es) left **ON**, one or both components may be damaged.

① **SPEAKER INPUT terminals**

Connect to the speaker output terminals on your amplifier or receiver.

② **SPEAKER OUTPUT terminals**

These terminals output the signal received at the **SPEAKER INPUT** terminals. You can use them to relay the signal to your front speakers.

③ **LINE INPUT jack**

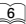
This jack is used to connect the subwoofer Preout jack of the amplifier or receiver.

④ **Power cord**

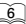
Connect to AC outlet.

You can connect the subwoofer to your amplifier or receiver in one of ways, as described below. Refer to the indicated page for connection instructions.

If your amplifier or receiver includes a Subwoofer Preout jack;

For connection instructions, see **"Connecting to Amp's Subwoofer Preout jack"** →  6

If your amplifier or receiver does not include a Subwoofer Preout jack;

In this case, you can connect to the speaker output terminals on your amplifier or receiver. For connection instructions, see **"Connecting to Amp's Speaker output terminals"** →  6

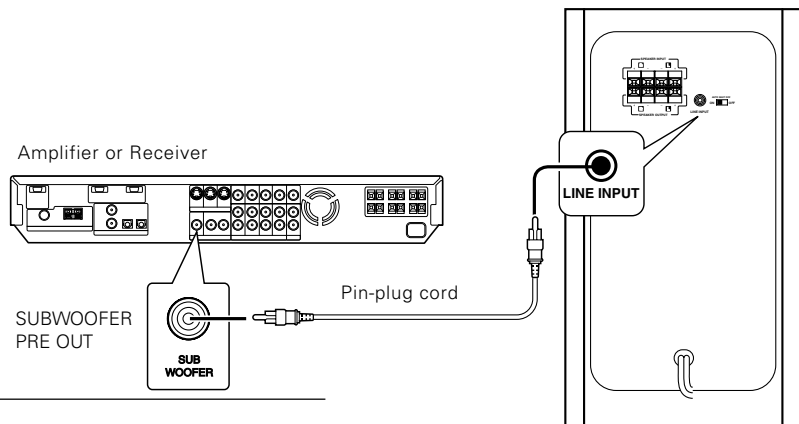
Notes:

1. Be sure to connect all cables securely. Insecure connections may result in distortion or noise.
2. Always unplug the power cord before connecting or disconnecting cables. Leaving the power plugged in while making connections may result in malfunction or damage.
3. Never short the (+) and (-) speaker wires together.
4. Do not reverse L and R or (+) and (-) sides when making connections. Reversal of sides or polarities may result in unnatural, incorrectly positioned sound.
5. Please read the operation manual that came with the devices you are connecting to, and make connections accordingly.

Connecting to Amp's Subwoofer Preout jack

Using the supplied pin-plug cord, connect the Subwoofer Preout jack on your amplifier or receiver to the LINE INPUT jack on the subwoofer.

CAUTION
Set the POWER switches of the amplifier or receiver and Subwoofer to OFF. If they are connected with the POWER switch(es) left ON, one or both components may be damaged.

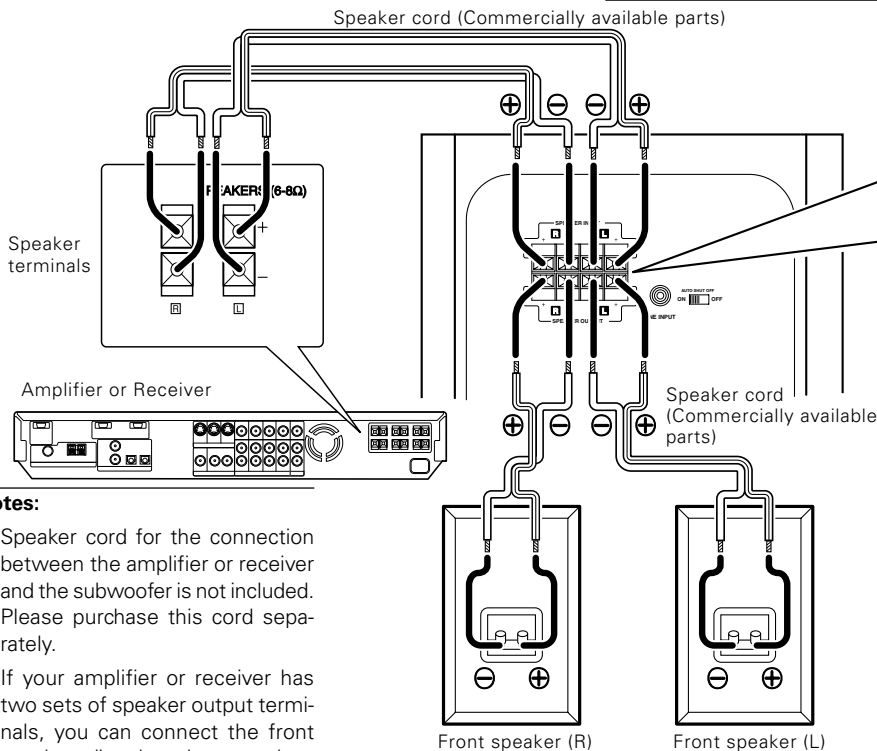


Note:
Do not use LINE INPUT jack and SPEAKER INPUT terminals at the same time.

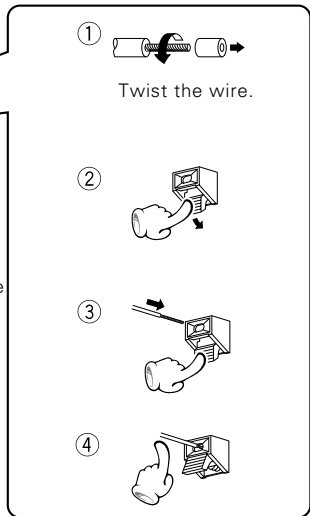
Connecting to Amp's Speaker output terminals

Connect the SPEAKER INPUT terminals on the subwoofer to the speaker output terminals on your amplifier or receiver. Connect the SPEAKER OUTPUT terminals on the subwoofer to your front speakers.

CAUTION
Set the POWER switches of the amplifier or receiver and Subwoofer to OFF. If they are connected with the POWER switch(es) left ON, one or both components may be damaged.

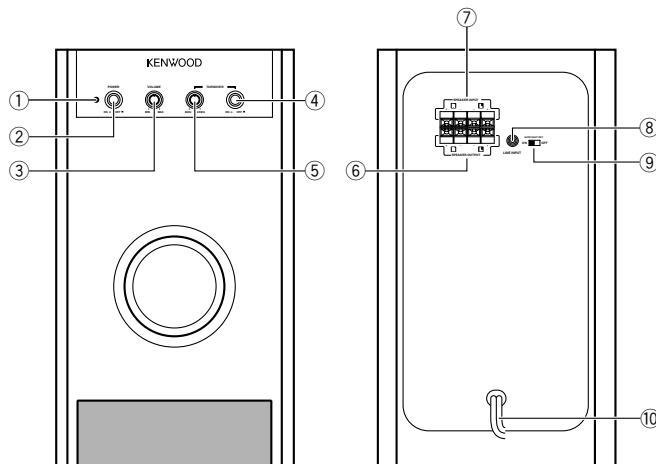


- Notes:**
1. Speaker cord for the connection between the amplifier or receiver and the subwoofer is not included. Please purchase this cord separately.
 2. If your amplifier or receiver has two sets of speaker output terminals, you can connect the front speakers directly to the second set of terminals (rather than connecting them to the SPEAKER OUTPUT terminals on the subwoofer).
 3. Do not use LINE INPUT jack and SPEAKER INPUT terminals at the same time.



CAUTION

- The front speakers connected with the Subwoofer should have the impedance specified by the amplifier or receiver in use.
- When connecting the Subwoofer to the amplifier or receiver, be sure to always connect the "+" terminals to "+" terminals and the "-" terminals to "-" terminals. If terminals are connected incorrectly, the amplifier or receiver may be damaged.



① Power on / standby indicator

This indicator indicates operation mode when it lights in green, and the Standby mode when it lights in red.

② POWER switch

Switches the power ON and OFF.

③ VOLUME control knob

Adjusts the volume level of the output of the Subwoofer. Rotating the knob clockwise increases the volume level, and rotating the knob counterclockwise decreases the volume level.

④ TURNOVER switch

Set this switch (to ON or OFF) according to the output signal from the amplifier or receiver which is to be connected with the Subwoofer.

ON: To help the Subwoofer manifest its performance most effectively with an ordinary subwoofer pre-out signal or line-level signal, this position cuts the other components than the low frequency component so that only the bass sound is reproduced through the Subwoofer.

OFF: The subwoofer output signals from these amplifier or receiver are customized to cut other components than the required low frequency component in an optimum manner according to the current sound mode in use. When the Subwoofer is combined with one of these amplifier or receiver, the TURNOVER switch should be set to OFF: The Subwoofer does not apply electrical filtering to the input signal and reproduces it faithfully through the loudspeaker.

TURNOVER function does not work when the TURNOVER switch is OFF.

⑤ TURNOVER control knob

Adjusts the balance between the bass from the front speakers and the bass from the Subwoofer.

Standby mode

While the on/standby indicator is lit in red, a small amount of power is supplied to the system. This is called standby mode.

Example of standard adjustment according to the type of front speakers.

Front speaker	Turnover Frequency
Small speaker	120~200 Hz
Medium speaker	80~120 Hz
Large speaker	60~80 Hz

Depending on the listening room condition and the front speaker characteristics, other adjustment setting than the examples shown above may provide more natural bass sound and more effective bass reproduction. Try various adjustment settings to select the optimum one for your listening room.

TURNOVER function does not work when the TURNOVER switch is OFF.

⑥ **SPEAKER OUTPUT terminals** → 5

⑦ **SPEAKER INPUT terminals** → 5

⑧ **LINE INPUT jack** → 5

⑨ **AUTO SHUTOFF switch**

Switches AUTO SHUTOFF mode ON and OFF.

ON: The Subwoofer automatically returns to Standby mode (red light) when no signal has been input for about 10 minutes. The Subwoofer automatically enters operation mode when a signal is input during Standby mode.

⑩ **Power cord** → 5

Caution concerning operation

An excessive input level to the Subwoofer may impair the sound quality or damage the unit. Careful attention should therefore be paid to the following precautions.

Notes:

- Do not increase the output of the amplifier or receiver to a high level while the low-frequency level is enhanced by the amplifier's tone control or loudness control.
- When operating the amplifier or receiver switches or when placing the stylus on an analog record, set the amplifier or receiver volume to its minimum level.

Specifications

Type Subwoofer system with built-in amplifier

[Amplifier]

Dynamic Power 75 W + 75 W (6Ω)

Rated Output Power 60 W + 60 W RMS (100 Hz, 6Ω)

Input Sensitivity / Impedance

LINE INPUT 230 mV (22 kΩ)

SPEAKER INPUT (1ch input) 2.0 V (6.5 kΩ)

Frequency Response

TURNOVER ON 15 Hz ~ 200 Hz

TURNOVER OFF 15 Hz ~ 3.5 kHz

Rated Power Consumption 100 W

[Speaker]

Enclosure Bass-Reflex, Floor Standing Type

Speaker Units 160 mm (6-5/16") Cone type x 2

Nominal Impedance 6 Ω

Dimensions

Width : 219 mm (8-5/8 ")

Height : 439 mm (17-5/16 ")

Depth : 392 mm (15-7/16 ")

Net Weight 14.5 kg (32.0 lb)

Notes:

1. Kenwood follows a policy of continuous advancements in development. For this reason, specifications may be changed without notice.
2. Full performance may not be exhibited in extremely cold locations (below 0 deg. C).

Avant la mise sous tension

 **Attention : Lire attentivement cette page pour garantir une exploitation sans danger.**

Les appareils sont destinés aux opérations comme les suivantes.





L'Europe et le Royaume-Uni CA 230 V uniquement
Etats-Unis et Canada CA 120 V uniquement

ATTENTION

L'alimentation provenant de la prise murale n'est pas entièrement interrompue lorsque le commutateur de marche/arrêt est enfoncé.

Précautions de sécurité

AVERTISSEMENT : POUR EVITER TOUT INCENDIE OU CHOC ELECTRIQUE, NE PAS EXPOSER CET APPAREIL A LA PLUIE OU A L'HUMIDITE.

	ATTENTION RISQUE DE CHOC ELECTRIQUE NE PAS OUVRIR		ATTENTION: POUR REDUIRE LES RISQUES DE CHOC ELECTRIQUE, NE PAS DEPOSER LE COUVERCLE (OU LE PANNEAU ARRIERE). AUCUNE PIECE REPARABLE PAR L'UTILISATEUR NE SE TROUVE A L'INTERIEUR. CONFIER TOUT TRAVAIL D'ENTRETIEN A UN PERSONNEL DE SERVICE QUALIFIE.
	LE SYMBOLE DE L'ECLAIR DANS UN TRIANGLE EQUILATERAL A POUR BUT D'ATTIRER L'ATTENTION DE L'UTILISATEUR SUR LA PRESENCE, A L'INTERIEUR DU COFFRET, D'UNE TENSION DANGEREUSE ET NON ISOLEE D'UNE PUISSANCE SUFFISANTE POUR CONSTITUER UN RISQUE DE COMMOTION ELECTRIQUE AUX ETRES HUMAINS.		
	LE POINT D'EXCLAMATION DANS UN TRIANGLE EQUILATERAL A POUR BUT D'ATTIRER L'ATTENTION DE L'UTILISATEUR SUR LA PRESENCE, DANS LA LITTERATURE QUI ACCOMPAGNE CET APPAREIL, D'INFORMATIONS IMPORTANTES RELATIVE A L'EXPLOITATION ET A L'ENTRETIEN.		

Introduction

Nous vous remercions d'avoir bien voulu intégrer nos enceintes à votre chaîne. KENWOOD a la certitude que ce choix vous réserve des années de plaisir musical. Prenez le temps de lire attentivement ce livret. Il vous permettra d'obtenir le meilleur de ces enceintes.

Pour votre référence

Inscrivez le numéro de série, que vous trouverez à l'arrière de l'appareil, dans les espaces prévus de la carte de garantie et dans l'espace prévu ci-dessous. Indiquez les numéros de modèle et de série au cas où vous devriez faire appel à votre concessionnaire pour des renseignements ou réparations de cet appareil.

SW-508 Numéro de série _____

Déballage

Déballer soigneusement l'appareil et assurez-vous de mettre de côté tous les accessoires de manière à ne pas les perdre. Examinez bien l'appareil pour déceler d'éventuels endommagements pendant le transport. Si votre appareil est endommagé ou s'il ne fonctionne pas, en aviser immédiatement votre concessionnaire. Si votre appareil vous a été livré directement, avertir immédiatement la société de transport. Seule la personne ou la société ayant reçu l'appareil peut porter plainte contre le transporteur en cas d'endommagement. Nous vous recommandons de garder le carton et le matériel d'emballage d'origine au cas où vous auriez à transporter ou à envoyer votre appareil dans l'avenir.

Gardez ce manuel pour une référence future.

PRECAUTIONS IMPORTANTES DE SECURITE

⚠ Attention: Lire attentivement cette page pour garantir une exploitation sans danger.

Veuillez lire toutes les instructions concernant la sécurité et le fonctionnement avant de faire fonctionner cet appareil. Tenez compte de toutes les mises en garde inscrites sur l'appareil ou figurant dans le mode d'emploi. Suivez toutes les instructions de sécurité et d'utilisation. Ces instructions concernant la sécurité et le fonctionnement doivent être gardées pour une référence future.

1. Sources d'alimentation – Cet appareil doit être raccordé à une alimentation du type décrit dans les instructions de fonctionnement ou inscrit sur l'appareil. En cas de doute sur les caractéristiques du secteur local, contactez le revendeur de l'appareil ou la compagnie d'électricité. Pour les appareils fonctionnant sur piles, se raccordant à une batterie, etc., reportez-vous au mode d'emploi.

2. Protection du cordon d'alimentation – Les cordons d'alimentation doivent être placés de manière qu'ils ne soient pas piétinés ni écrasés; attention en particulier aux cordons près des prises ou réceptacles et au point où ils sortent de l'appareil.

3. Aération – Le coffret comporte des ouïes et des ouvertures destinées à assurer une ventilation suffisante pour que l'appareil fonctionne bien sans échauffement. Ne jamais obstruer ces ouvertures. L'appareil doit être positionné de manière à ne pas gêner son aération. Pour garantir une bonne aération, ne pas placer dessus des disques ni de tapis de table. Placer l'appareil au moins à 10 cm des murs. Ne pas utiliser l'appareil sur un lit, un divan, un tapis ou autre surface similaire qui risque de bloquer les orifices d'aération. Cet appareil ne peut être installé dans une bibliothèque ou un autre meuble qu'à condition de prévoir une ventilation suffisante et sous réserve de respecter les instructions du fabricant.

4. Eau et humidité – L'appareil ne doit pas être exposé aux écoulements d'eau ni aux éclaboussures – par exemple, près d'une baignoire, d'un lavabo, d'un évier, d'une baignoire, dans un sous-sol humide, près d'une piscine, etc. Ne placer aucun objet contenant un liquide, tel qu'un vase de fleurs, sur l'appareil.

5. Température – Cet appareil risque de ne pas bien fonctionner s'il est utilisé à des températures extrêmement basses. La température ambiante idéale est d'au moins +5°C.

6. Chaleur – Cet appareil doit être tenu à l'écart de sources de chaleur comme les radiateurs, les trappes de chaleur, les poêles et autres appareils (y compris les amplificateurs). Ne placer aucun objet en combustion, telle qu'une bougie ou une lanterne, sur l'appareil ou dans son voisinage immédiat.

7. Electrocutation – Un soin particulier doit être pris pour qu'aucun objet ne pénètre dans l'appareil et qu'aucun liquide ne soit renversé dessus. Si un objet métallique comme une épingle à cheveux ou une aiguille entre en contact avec l'intérieur de cet appareil, une électrocution dangereuse risque d'en résulter. Si vous avez des enfants, ne leur permettez jamais d'introduire quoi que ce soit, en particulier des objets métalliques, dans cet appareil.

8. Retrait du coffret – Ne jamais retirer le coffret. Si les pièces internes sont accidentellement touchées, une électrocution sérieuse risque de se produire.

9. Nettoyage – Débrancher la prise murale de l'appareil avant d'entreprendre son nettoyage. Ne pas utiliser de solvants volatils tels que de l'alcool, du diluant à peinture, de l'essence ou de la benzine, etc., pour nettoyer le coffret. Utiliser un chiffon propre et sec.

10. Foudre – Pour assurer la protection de cet appareil par temps d'orage, ainsi que lorsqu'on le laisse sans surveillance et ne prévoit pas de s'en servir avant longtemps, il est recommandé de débrancher le cordon d'alimentation et aussi la prise d'antenne ou de distribution câblée. On évitera ainsi le risque d'endommagement de l'appareil par la foudre ou les surtensions.

11. Odeur anormale – Si une odeur anormale ou une fumée sort de l'appareil, couper immédiatement l'alimentation et débrancher l'appareil de la prise murale. Contacter un concessionnaire ou un centre d'entretien le plus proche.

12. Endommagement demandant réparation – L'appareil doit être réparé par un technicien qualifié dans les cas suivants:

- A.** Dégâts subis par le cordon d'alimentation secteur ou sa fiche.
- B.** Pénétration d'un solide ou d'un liquide dans le coffret.
- C.** Exposition de l'appareil à la pluie ou à l'eau.
- D.** Si l'appareil ne fonctionne pas normalement alors qu'il est utilisé conformément au mode d'emploi. Ne faire soi-même que les réglages décrits dans le mode d'emploi. Tout autre réglage risque, s'il est mal fait, d'endommager l'appareil et nécessiterait ensuite une intervention complexe de la part d'un dépanneur qualifié pour la remise en état.
- E.** Chute de l'appareil ou dégâts subis par le coffret.
- F.** Si les performances de cet appareil se sont manifestement dégradées.

13. Entretien – L'utilisateur ne doit pas donner d'autres soins que ceux décrits dans le mode d'emploi. Toute réparation doit être confiée à un personnel d'entretien qualifié.

14. Lignes électriques – Une antenne extérieure ne doit jamais s'installer à proximité de lignes électriques aériennes ou des fils d'un circuit électrique force ou lumière ou encore à un endroit où elle risque de tomber sur de tels circuits ou lignes. Pendant l'installation d'une antenne extérieure, observer la plus grande prudence car tout contact avec une ligne ou un circuit électrique fait courir un danger de mort.

15. Prises CA – Ne pas raccorder d'autres éléments audio ayant une consommation supérieure à celle spécifiée sur la prise CA du panneau arrière. Ne jamais y raccorder d'autres appareils électriques (par exemple un fer à repasser ou un grille-pain) pour éviter un risque d'incendie ou d'électrocution.

16. Surcharge – Ne pas utiliser les prises murales ou rallonges en surcharge car cela fait courir le risque d'incendie ou d'électrocution.

17. Equipements auxiliaires – Ne jamais employer des équipements auxiliaires autres que ceux que recommande le fabricant de cet appareil car ils peuvent présenter un risque.

18. Pièces de rechange – Lorsqu'il faut changer une pièce, s'assurer que le dépanneur utilise la pièce de rechange prescrite par le fabricant ou bien une pièce présentant les mêmes caractéristiques que la pièce originale. Les pièces de substitution non agréées par le fabricant font courir un risque d'incendie, d'électrocution et d'autres risques encore.

19. Contrôle de sécurité – Après toute intervention d'entretien ou de réparation sur cet appareil, demander au dépanneur d'effectuer les vérifications de sécurité pour s'assurer qu'il est en bon état de marche.

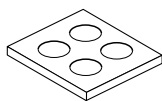
Sommaire

Attention : Lire les pages marquées ⚠ avec attention pour garantir un fonctionnement en toute sécurité.

⚠ Avant la mise sous tension	10
⚠ Précautions de sécurité	10
Introduction	10
⚠ PRECAUTIONS IMPORTANTES DE SECURITE	11
Installation	12
Branchements	13
Les commandes et les témoins	15
Caractéristiques techniques	16

Accessoires

Cordon à broche 1 Coussin 4 (1 feuille)

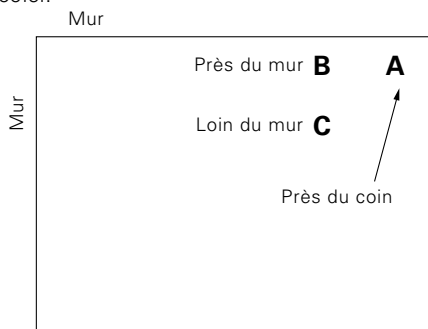


Fixation des coussins

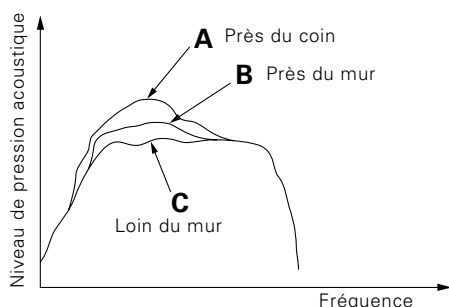
Fixer les quatre coussins à la base du Subwoofer, un dans chaque coin. Les coussins servent à empêcher l'enceinte de glisser et à amortir les vibrations.

Installation

Comme ce enceinte "Subwoofer" est pratiquement omnidirectionnel, Il peut prendre place presque n'importe où. Par exemple, on pourra l'installer près de la chaîne (comprenant un amplificateur, tuner, platine-cassette, etc.), dans un coin du local d'écoute. Les caractéristiques de restitution des fréquences ultra-basses de ce enceinte seront les plus riches s'il est disposé dans un coin ou près d'une paroi. Comme les composants ultra basses de la musique sont habituellement monophoniques, un seul Subwoofer permet d'obtenir un effet de champ sonore suffisant s'il est combiné à une chaîne stéréo. De toute façon, il n'est pas possible de raccorder deux unités Subwoofer.



Emplacement du enceinte dans la pièce (vue de dessus)



Réaction acoustique

Une réaction acoustique (hurlement) risque de se produire si le Subwoofer est installé à proximité d'une platine à disque analogique. Dans cette éventualité, écarter le Subwoofer par rapport à la platine ou réduire le volume du Subwoofer (en tournant le VOLUME dans le sens anti-horaire.) Bien que ce soit plus rare, ce phénomène de réaction acoustique peut également provenir des interférences mutuelles avec une platine cassette, un lecteur de disque compact, un lecteur de disque laser. Si le son et/ou l'image devait être perturbé par ce phénomène, éloigner le Subwoofer de ces composants ou réduire son intensité sonore.

Fonctionnement près d'un téléviseur

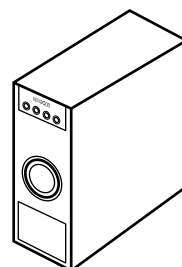
Si l'enceinte d'extrêmes graves (Subwoofer) est installée près d'un téléviseur, la réception peut être perturbée et les couleurs altérées. Si vous notez l'un ou l'autre de ces phénomènes, éloignez l'enceinte d'extrêmes graves (Subwoofer) du téléviseur jusqu'à ce que la réception redevienne normale.

Attention

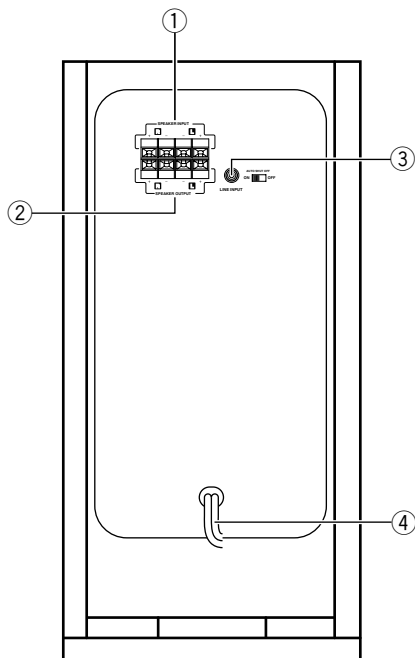
Pour permettre la ventilation de l'appareil, installez-le en tenant compte de ce qui suit.

- Ménagez une distance de plus de 10 cm entre le Subwoofer en arrière et les murs voisins. Veillez tout particulièrement à ce que le dissipateur thermique ne soit pas couvert par une rideau, etc.
- Installez le Subwoofer verticalement.

Installation verticale



Avant d'effectuer les connexions



ATTENTION

Régler sur OFF l'interrupteur POWER de l'amplificateur ou ampli-syntoniseur et du Subwoofer. Tous deux risquent d'être endommagés s'ils sont raccordés alors que leur interrupteur POWER est allumé (ON).

① Bornes SPEAKER INPUT

Raccorder aux bornes de sortie haut-parleurs de votre amplificateur ou ampli-syntoniseur.

② Bornes SPEAKER OUTPUT

Ces bornes transmettent le signal reçu aux bornes SPEAKER INPUT. Vous pouvez les utiliser comme relais des signaux vers les enceintes avant.

③ Prise LINE INPUT

Ce prise sert au raccordement du Subwoofer aux prises de sortie de préampli de l'amplificateur ou ampli-syntoniseur.

④ Cordon d'alimentation

Connecter le vers une pris CA.

Vous pouvez raccorder le Subwoofer à votre amplificateur ou ampli-syntoniseur selon une des façons décrites ci-dessous. Se reporter à la page indiquée pour les instructions concernant le raccordement.

Si votre amplificateur ou ampli-syntoniseur est équipé d'une prise SUBWOOFER PREOUT;

Pour les instructions concernant la connexion, voir "Raccordement à la prise SUBWOOFER PREOUT de l'ampli" → [14](#)

Si votre amplificateur ou ampli-syntoniseur n'est pas équipé d'une prise SUBWOOFER PREOUT;

Dans ce cas, vous pouvez raccorder le système aux bornes de sortie haut-parleurs de votre amplificateur ou ampli-syntoniseur. Pour les instructions concernant la connexion, voir "Raccordement aux bornes de sortie haut-parleurs de l'ampli" → [14](#)

Remarques:

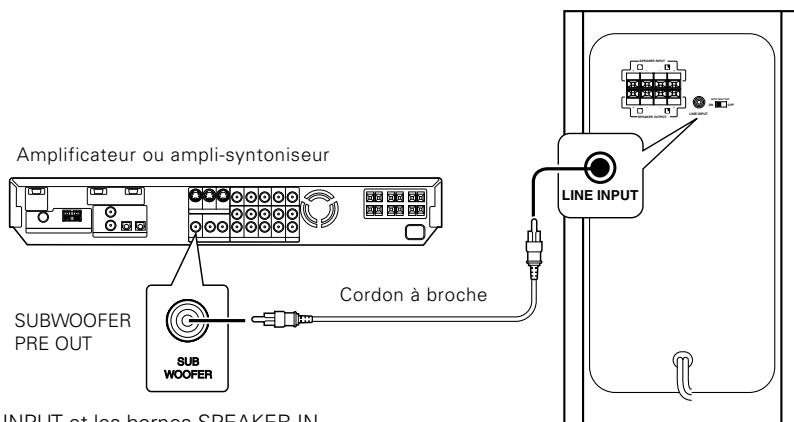
1. Toujours raccorder tous les câbles fermement. De mauvaises connexions peuvent provoquer une déformation ou des interférences.
2. Toujours débrancher le câble d'alimentation avant de brancher ou de débrancher des câbles sinon vous risqueriez de produire des mauvais fonctionnements ou d'endommager le système.
3. Ne jamais court-circuiter les fils (+) et (-) des enceintes.
4. Ne jamais inverser les côtés L et R ou (+) et (-) lorsque vous effectuez les connexions. L'inversion des côtés ou des polarités peut provoquer un son mal positionné, artificiel.
5. Veuillez lire toute la documentation qui accompagne les appareils raccordés et effectuer les connexions conformément aux instructions fournies.

Raccordement à la prise SUBWOOFER PREOUT de l'ampli

Utiliser le cordon à broche, connecter la prise SUBWOOFER PREOUT de l'amplificateur ou ampli-sintoniseur à la prise LINE INPUT du Subwoofer.

ATTENTION

Régler sur OFF l'interrupteur POWER de l'amplificateur ou ampli-sintoniseur et du Subwoofer. Tous deux risquent d'être endommagés s'ils sont raccordés alors que leur interrupteur POWER est allumé (ON).



Remarque:

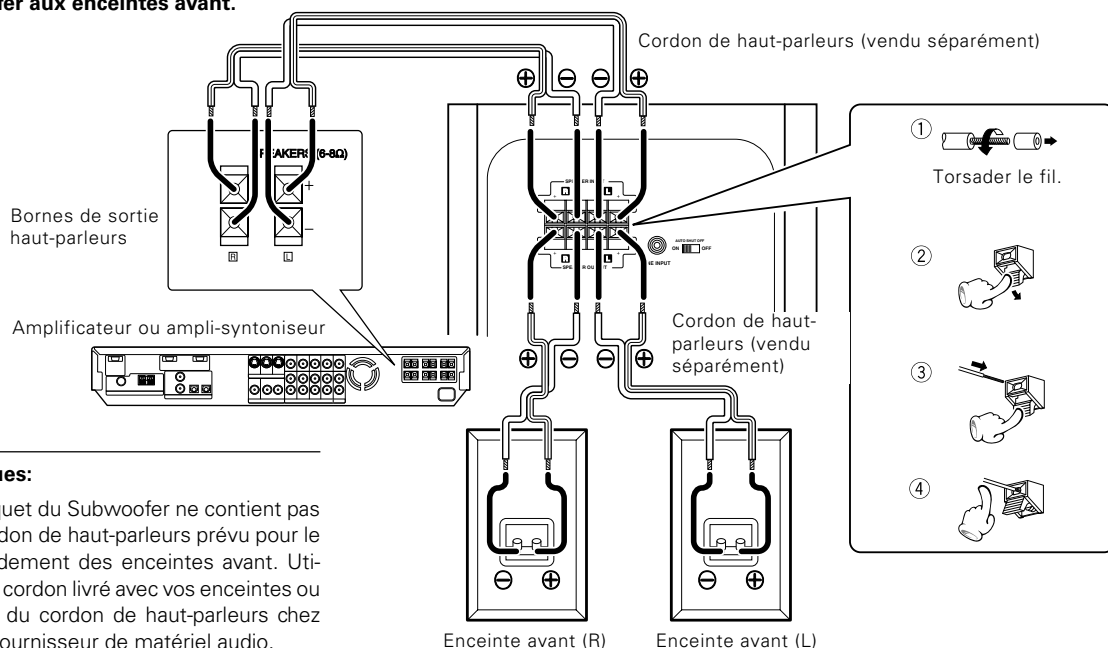
N'utilisez pas la prise LINE INPUT et les bornes SPEAKER INPUT en même temps.

Raccordement aux bornes de sortie haut-parleurs de l'ampli

Raccorder les bornes SPEAKER INPUT du Subwoofer aux bornes de sorties haut-parleurs de l'amplificateur ou ampli-sintoniseur. Raccorder les bornes SPEAKER OUTPUT du Subwoofer aux enceintes avant.

ATTENTION

Régler sur OFF l'interrupteur POWER de l'amplificateur ou ampli-sintoniseur et du Subwoofer. Tous deux risquent d'être endommagés s'ils sont raccordés alors que leur interrupteur POWER est allumé (ON).

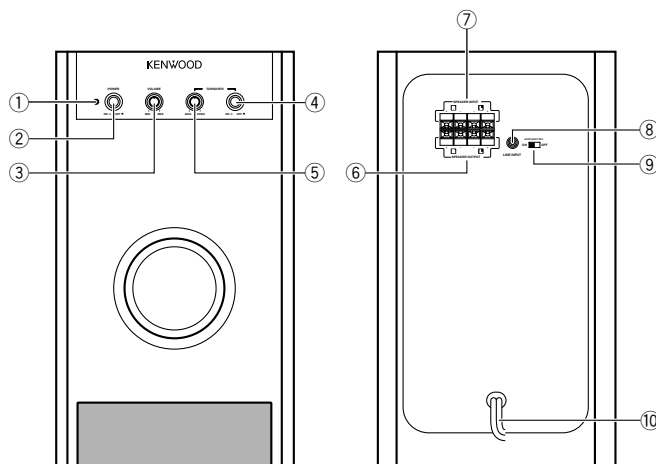


Remarques:

1. Le paquet du Subwoofer ne contient pas de cordon de haut-parleurs prévu pour le raccordement des enceintes avant. Utiliser le cordon livré avec vos enceintes ou acheter du cordon de haut-parleurs chez votre fournisseur de matériel audio.
2. Si votre amplificateur ou ampli-sintoniseur possède deux jeux de bornes de sortie haut-parleurs, vous pouvez raccorder les enceintes avant directement au deuxième jeu de bornes (plutôt que de les connecter aux bornes SPEAKER OUTPUT du Subwoofer).
3. N'utilisez pas la prise LINE INPUT et les bornes SPEAKER INPUT en même temps.

ATTENTION

- Les enceintes avant utilisées en même temps que le subwoofer doivent présenter l'impédance exigée par l'amplificateur ou l'ampli-sintoniseur utilisé.
- En raccordant le Subwoofer à l'amplificateur ou ampli-sintoniseur, respecter la polarité: relier les bornes "+" aux bornes "+", et les bornes "-" aux bornes "-". L'amplificateur ou ampli-sintoniseur risque d'être endommagé si on inverse la polarité.



① Indicateur de service/veille

Cet indicateur est allumé en vert lorsque l'appareil est en service (ON), et de couleur rouge lorsqu'il est en veille.

② Interrupteur POWER

Pour mettre sous tension (ON) ou hors tension (OFF).

③ Bouton de commande VOLUME

Il ajuste le niveau du volume de la sortie ultra-basse du Subwoofer. Une rotation dans le sens horaire augmente le niveau du volume qui est réduit par une rotation dans le sens opposé.

④ Interrupteur TURNOVER

Placez ce sélecteur sur la position ON, ou OFF, selon le signal de sortie de l'amplificateur ou du ampli-sintoniseur auquel le Subwoofer doit être relié.

ON: Cette position permet au Subwoofer d'exhiber au mieux ses qualités à partir d'un signal ordinaire de sortie vers subwoofer, au niveau préamplificateur ou au niveau ligne. Cette position supprime les composantes autres que les composantes graves de telle sorte que seule les fréquences basses sont reproduites par le Subwoofer.

OFF: Les signaux de sortie de ces amplificateur ou ampli-sintoniseur et destinés au subwoofer sont tels que les composantes autres que les composantes graves sont supprimées de la manière qui est la plus optimale compte tenu des caractéristiques sonores retenues pour l'écoute à un moment donné. Lorsque le Subwoofer est associé à l'un de ces amplificateur ou ampli-sintoniseur, le interrupteur TURNOVER doit être placé sur la position OFF. Le Subwoofer ne procède à aucun filtrage électrique du signal qui lui est appliqué à l'entrée et le reproduit aussi fidèlement que possible.

TURNOVER fonction n'est pas disponible lorsque le interrupteur TURNOVER est la position OFF.

⑤ Bouton de commande TURNOVER

Agissez sur ce bouton pour choisir la fréquence de coupure supérieure du Subwoofer.

Exemple de réglages standard compte tenu du type des enceintes avant.

Enceinte avant	Fréquence de recoupement
Petite taille	120~200 Hz
Taille moyenne	80~120 Hz
Grande taille	60~80 Hz

En fonction des caractéristiques de la pièce d'écoute et de celles des enceintes avant, des réglages autres que ceux illustrés ici peuvent donner une reproduction plus naturelle et plus efficace des graves. Essayez diverses possibilités puis choisissez celle qui donne les meilleurs résultats compte tenu de la pièce.

TURNOVER fonction n'est pas disponible lorsque le interrupteur TURNOVER est la position OFF.

⑥ Bornes SPEAKER OUTPUT → 13

⑦ Bornes SPEAKER INPUT → 13

⑧ Prise LINE INPUT → 13

⑨ Interrupteur AUTO SHUTOFF

Commute le mode de AUTO SHUTOFF ON ou OFF.

ON: Le Subwoofer revient automatiquement en mode standby (lumière rouge) lorsque aucun signal n'est reçu pendant plus de 10 minutes environ. Le Subwoofer étant en veille, il se met automatiquement en service lorsqu'un signal lui est appliqué.

⑩ Cordon d'alimentation → 13

Précautions relatives à l'utilisation

Un niveau d'entrée excessif au Subwoofer risque de dégrader la qualité du son et d'endommager l'appareil. Dès lors, bien tenir compte des précautions suivantes.

Remarques:

- Ne pas élever la sortie de l'amplificateur ou ampli-sintoniseur à un niveau trop élevé tandis que le niveau des graves est accentué par le réglage de tonalité ou le correcteur physiologique de l'amplificateur ou ampli-sintoniseur.
- Lors d'une action sur les commandes de l'amplificateur ou ampli-sintoniseur ou quand on place la pointe de lecture sur un disque analogique, ramener le volume de l'amplificateur ou ampli-sintoniseur à son niveau minimal.

Mode de veille

Lorsque l'indicateur de veille est éclairé en rouge, une faible quantité de courant est consommée par l'appareil. On dit alors que l'appareil est en veille.

Caractéristiques techniques

Type Système de enceinte déxtrême-grave (Subwoofer) à amplificateur incorporé

[Amplificateur]

Puissance dynamique 75 W + 75 W (6Ω)

Puissance nominale de sortie

..... 60 W + 60 W RMS (100 Hz, 6Ω)

Sensibilité et Impédance d'entrée

LINE INPUT 230 mV (22 kΩ)

SPEAKER INPUT (1ch entrée) 2,0 V (6,5 kΩ)

Réponse en fréquence

TURNOVER ON 15 Hz ~ 200 Hz

TURNOVER OFF 15 Hz ~ 3,5 kHz

Consommation nominale 100 W

[Haut-parleur]

Coffret Bass-reflex, type à poser sur le sol

Haut-parleur Type à cône de 160 mm x 2

Impédance nominale 6 Ω

Dimensions

Largeur : 219 mm

Hauteur : 439 mm

Profondeur : 392 mm

Poids net 14,5 kg

Remarques:

1. KENWOOD poursuit une politique permanente de recherche. Pour cette raison les caractéristiques peuvent être modifiées sans préavis.
2. Les températures extrêmes froides (quand l'eau gèle), peuvent diminuer les performances.

Vor Einschalten der Spannungsversorgung

⚠ Achtung : Lesen Sie diese Seite sorgfältig durch, um einen sicheren Betrieb zu gewährleisten.

Geräte sind für Betrieb wie folgt vorgesehen.
Europa und Großbritannien...nur Wechselstrom 230 V

ACHTUNG

Die Stromversorgung zum Gerät wird beim Abschalten des Schalters (auf OFF) nicht gänzlich unterbrochen.

Hinweis zur Entsorgung der Batterien :

Verbrauchte Batterien dürfen nach der Batterieverordnung nicht mehr mit dem Hausmüll entsorgt werden. Kenwood beteiligt sich daher am „Gemeinsamen Rücknahmesystem Batterien“ (GRS Batterien).



Werfen Sie verbrauchte Batterien unentgeltlich in die beim Handel aufgestellten Sammelbehälter. Auch bei Ihrem Fachhändler finden Sie einen Sammelbehälter für verbrauchte Batterien.

Auch Batterien, die in Geräten fest eingebaut sind, unterliegen diesen gesetzlichen Vorschriften.

Sicherheitshinweise

WARNUNG : DIESES GERÄT DARF NICHT IM REGEN ODER IN FEUCHTEN RÄUMEN BETRIEBEN WERDEN, UM FEUER UND ELEKTRISCHE SCHLÄGE ZU VERMEIDEN.



CAUTION
RISK OF ELECTRIC SHOCK
DO NOT OPEN



ACHTUNG: ZUR VERMEIDUNG VON ELEKTRISCHEN SCHLÄGEN KEINE GEHÄUSETEILE (ODER DIE RÜCKWAND) ENTFERNEN. IM INNERN BEFINDEN SICH KEINE VOM BENÜTZER REPARIERBAREN TEILE. WENDEN SIE SICH FÜR REPARATUREN AN QUALIFIZIERTES KUNDENDIENSTPERSONAL.



DAS BLITZSYMBOL MIT PFEILSPITZE IN EINEM GLEICHSEITIGEN DREIECK SOLL DEN BENÜTZER AUF NICHT ISOLIERTE, SPANNUNGSFÜHRENDE TEILE INNERHALB DES GEHÄUSES HINWEISEN, UM ELEKTRISCHE SCHLÄGE ZU VERMEIDEN.



DAS AUSRUFUNGSZEICHEN IN EINEM GLEICHSEITIGEN DREIECK SOLL DEN BENÜTZER AUF WICHTIGE BEDIENUNG- UND WARTUNGSANWEISUNGEN IN DER MIT DEM GERÄT MITGELIEFERTEN BEDIENUNGSANLEITUNG AUFMERKSAM MACHEN.

Einleitung

Wir danken Ihnen für den Kauf dieses Lautsprechers der einen wichtigen Teil Ihres Hi-Fi-Systems darstellt. KENWOOD ist davon überzeugt, daß Ihnen dieser Lautsprecher über lange Jahre einen sehr zufriedenstellenden Hörgenuß bieten wird. Bitte lesen Sie diese Anleitung sorgfältig durch. Sie hilft Ihnen dabei, die vorgesehenen optimalen Leistungswerte des Lautsprechers zu erreichen.

Seriennummer

Tragen Sie die Seriennummer, die sich an der Rückseite des Gerätes befindet, in die Garantiekarte und unten ein. Geben Sie das Modell und die Seriennummer immer an, wenn Sie sich für Rückfragen oder Reparaturen an Ihren Fachhändler wenden.

SW-508 Seriennummer _____

Auspacken

Packen Sie das Gerät vorsichtig aus und achten Sie darauf, daß keine Zubehörteile im Karton verbleiben.

Untersuchen Sie das Gerät auf mögliche Transportschäden. Ist das Gerät beschädigt oder funktioniert nicht einwandfrei, wenden Sie sich sofort an den Händler, bei dem es gekauft wurde.

Falls Sie das Gerät auf dem Versandwege bezogen haben, wenden Sie sich sofort an die Transportfirma. Nur der eigentliche Empfänger ist berechtigt, einen Schadenersatzanspruch gegenüber dem Transporteur geltend zu machen.

Wir empfehlen, den Karton und die Verpackungsmaterialien für einen möglichen Transport des Gerätes in der Zukunft aufzubewahren.

Bitte heben Sie diese Bedienungsanleitung für zukünftiges Nachschlagen gut auf.

Befolgen Sie alle Warnhinweise am Gerät und in der Bedienungsanleitung. Befolgen Sie alle Sicherheits- und Bedienungsanweisungen. Diese Sicherheits- und Bedienungsanweisungen sollten für zukünftiges Nachschlagen gut aufgehoben werden.

1. Spannungsversorgung – Das Gerät darf nur an die Netzspannung angeschlossen werden, die in der Bedienungsanleitung oder am Gerät angegeben ist. Wenn Sie sich über die Art der Spannungsversorgung in Ihrer Wohnung nicht sicher sind, wenden Sie sich an Ihren Fachhändler oder an das örtliche Energieversorgungsunternehmen. Für Geräte, die mit Batterien oder anderen Spannungsquellen betrieben werden, siehe die Bedienungsanleitung.

2. Netzkabel – Netzkabel müssen so geführt werden, daß sie keine Stolpergefahr bilden und daß keine Beschädigung durch andere Gegenstände hervorgerufen werden kann. Insbesondere ist Vorsicht an Steckern, Steckdosen sowie dem Austritt des Netzkabels aus dem Gerät geboten.

3. Ventilation – Im Gehäuse des Gerätes sind Ventilationsöffnungen vorhanden, um einen zuverlässigen Betrieb des Gerätes zu gewährleisten und um es vor Überhitzung zu schützen. Diese Öffnungen dürfen niemals blockiert oder abgedeckt werden. Niemals Schallplatten, Tücher usw. auf das Gerät legen. Das Gerät muß mindestens 10 cm von Wänden entfernt aufgestellt werden. Das Gerät nicht auf einem Bett, Sofa, Teppich oder ähnlichen Unterlagen, wo die Ventilationsöffnungen blockiert werden können, verwenden. Dieses Gerät darf nur dann in ein Bücherregal, ein Rack oder dergleichen eingebaut werden, wenn für eine ausreichende Ventilation gesorgt ist und die Anweisungen des Herstellers eingehalten werden.

4. Wasser und Feuchtigkeit – Das Gerät darf niemals Wassertropfen oder Wasserspritzern ausgesetzt werden – wie sie zum Beispiel in der Nähe einer Badewanne, eines Waschbeckens, einer Küchenspüle, einer Waschmaschine, einem feuchten Raum oder eines Schwimmbeckens auftreten. Stellen Sie niemals mit Flüssigkeiten gefüllte Behälter, wie z. B. Blumenvasen, auf das Gerät.

5. Temperatur – Bei sehr niedrigen Temperaturen oder unter dem Gefrierpunkt arbeitet das Gerät eventuell nicht einwandfrei. Die ideale Umgebungstemperatur liegt bei über +5°C.

6. Wärme – Das Gerät darf nicht in der Nähe von Wärmequellen wie Heizgebläse, Heizung, Öfen oder anderen Geräten, die Wärme erzeugen (einschließlich Verstärker), aufgestellt werden. Stellen Sie niemals Objekte mit offenen Flammen, wie Kerzen oder Laternen, auf oder in die Nähe des Gerätes.

7. Elektrische Schläge – Wenn Metallgegenstände, z. B. Haarnadeln oder Nadeln, in das Gerät eindringen, können gefährliche elektrische Kurzschlüsse verursacht werden. In Familien mit Kindern muß darauf geachtet werden, daß die Kinder keine Gegenstände, vor allem solche aus Metall, in das Gerät stecken.

8. Öffnen des Gehäuses – Niemals das Gehäuse öffnen. Bei Berührung der Teile im Innern besteht die Gefahr eines elektrischen Schlages.

9. Reinigung – Vor dem Reinigen des Gerätes den Netzstecker ziehen. Zum Reinigen des Gehäuses keine flüchtigen Lösungsmittel wie Alkohol, Farbverdünner, Benzin usw. verwenden. Ein sauberes, trockenes Tuch genügt.

10. Gewitter – Zum Schutz des Gerätes bei einem Gewitter, oder wenn es über längere Zeit nicht beaufsichtigt und benutzt

wird, sollte der Netzstecker gezogen und die Antenne oder das Kabelsystem abgetrennt werden. Dies verhindert Schäden am Gerät aufgrund von Blitzschlag und Spannungstößen im Wechselstromnetz.

11. Ungewöhnliche Gerüche – Wenn ungewöhnliche Gerüche oder Rauch auftreten, sofort die Spannungsversorgung ausschalten und das Netzkabel aus der Steckdose ziehen. Wenden Sie sich an Ihren Fachhändler oder an eine Kundendienststelle.

12. Beschädigungen, die Reparatur erfordern – Das Gerät darf in den folgenden Fällen nur von qualifiziertem Kundendienstpersonal repariert werden:

- A. Wenn das Netzkabel oder der Netzstecker beschädigt ist.
- B. Wenn Gegenstände oder eine Flüssigkeit in das Gerät eingedrungen sind.
- C. Wenn das Gerät Regen oder Wasser ausgesetzt war.
- D. Wenn das Gerät bei Befolgung der Bedienungsanleitung nicht normal arbeitet. Verwenden Sie nur die Bedienelemente, die in der Bedienungsanleitung beschrieben werden, da das Verstellen von anderen Bedienelementen zu Schäden führen und umfangreiche Arbeiten durch einen qualifizierten Kundendiensttechniker zur Wiederherstellung des normalen Betriebs erforderlich machen kann.
- E. Wenn das Gerät fallengelassen wurde oder das Gehäuse beschädigt ist.
- F. Wenn das Gerät eine deutliche Änderung in der Leistung aufweist.

13. Reparaturen – Der Benutzer darf keine andere Wartung am Gerät als die in dieser Bedienungsanleitung beschriebene selbst durchführen. Alle darüber hinaus gehenden Wartungsarbeiten und Reparaturen müssen von qualifiziertem Kundendienstpersonal ausgeführt werden.

14. Stromleitungen – Eine Außenantenne sollte nicht in der Nähe von Starkstromleitungen oder anderen elektrischen Leitungen bzw. an Stellen, wo es auf derartige elektrische Leitungen fallen kann, installiert werden. Beim Installieren einer Außenantenne muß mit größter Sorgfalt darauf geachtet werden, nicht versehentlich elektrische Leitungen zu berühren, weil dies lebensgefährlich ist.

15. Netzausgänge – An den Netzausgang an der Geräterückseite darf kein anderes Audiogerät mit einer höheren Leistungsaufnahme als spezifiziert angeschlossen werden. Es dürfen niemals andere elektrische Geräte wie z. B. ein Bügeleisen angeschlossen werden, weil dann die Gefahr von Feuer oder elektrischen Schlägen besteht.

16. Überlastung – Überlasten Sie niemals Netzsteckdosen, Verlängerungskabel oder Mehrfachsteckdosen, weil sonst die Gefahr von Feuer oder elektrischen Schlägen besteht.

17. Zusatzvorrichtungen – Verwenden Sie niemals Zusatzvorrichtungen, die nicht vom Hersteller empfohlen wurden, weil dadurch Unfälle verursacht werden können.

18. Ersatzteile – Wenn Ersatzteile benötigt werden, überzeugen Sie sich, daß der Kundendiensttechniker Ersatzteile verwendet, die vom Hersteller vorgeschrieben sind oder die gleichen Eigenschaften wie die Originalteile aufweisen. Nicht zugelassene Ersatzteile können zu Feuer, elektrischen Schlägen oder anderen Unfällen führen.

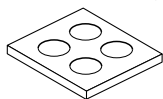
19. Sicherheitsüberprüfung – Bitten Sie den Kundendiensttechniker nach der Beendigung von Wartungs- oder Reparaturarbeiten an diesem Gerät um die Durchführung einer Sicherheitsüberprüfung, um festzustellen, ob sich das Gerät im einwandfreien Betriebszustand befindet.

Achtung : Lesen Sie diefolgendent, min ⚠ markierten Seiten sorgfältig durch.

⚠ Vor Einschalten der Spannungsversorgung	18
⚠ Sicherheitshinweise	18
Einleitung	18
⚠ WICHTIGE SICHERHEITSHINWEISE	19
Aufstellung	20
Anschlüsse	21
Bedienelemente und Anzeigen	23
Technische Daten	24

Zubehör

Penstecker-snoer 1 Kissen 4 (1 Blatt)

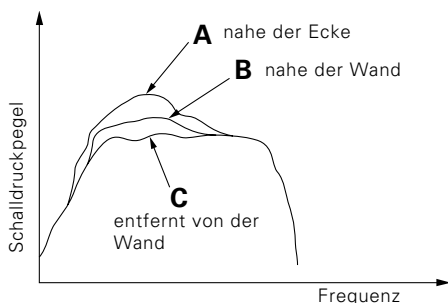
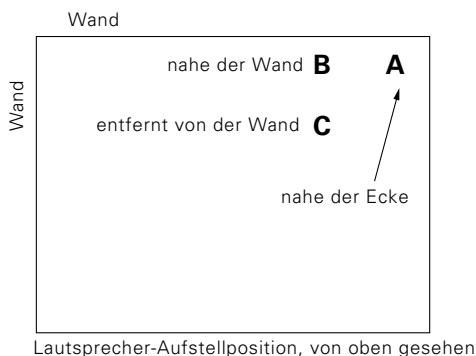


Anbringen der Kissen

Bringen Sie die vier Kissen an der Unterseite des Subwoofers an, und zwar eines in jeder Ecke. Diese Kissen verhindern, daß der Subwoofer verrutscht und dämpfen außerdem seine Schwingungen.

Aufstellung

Der Subwoofer ist praktisch ein omnidirektionaler Lautsprecher, so daß er fast an jeder Stelle aufgestellt werden kann. Beispielsweise kann der Subwoofer neben der Musikanlage (bestehend aus Verstärker, Tuner, Kassettendeck usw.), in einer Ecke des Raums, unter einem Tisch usw. aufgestellt werden. Die Ultrabaß-Reproduktions-Charakteristika des Subwoofer kommen am besten zur Geltung, wenn der Subwoofer in einer Ecke oder nahe einer Wand aufgestellt ist. Da die Ultrabaß-Bestandteile der Musik normalerweise in Mono vorkommen, ist zur Erzielung einer ausreichenden Klangfeldwirkung nur ein Subwoofer in Kombination mit einer Stereo-Musikanlage erforderlich. Es ist zudem nicht möglich, zwei Subwoofer-Einheiten anzuschließen.



Akustische Rückkopplung

Wenn der Subwoofer in der Nähe eines Plattenspielers aufgestellt wird, kann ein Heulton durch akustische Rückkopplung erzeugt werden. Sollte dies vorkommen, den Subwoofer weiter vom Plattenspieler entfernt aufstellen oder die Lautstärke des Subwoofer reduzieren (durch Drehen des VOLUME entgegen dem Uhrzeigersinn). Der Heulton kann auch aufgrund von Interferenzen mit einem Kassettendeck, CD-Spieler oder Laserdisc-Spieler auftreten, dies ist allerdings äußerst selten. Falls der Ton oder das Bild aus diesem Grund verzerrt zu sein scheint, den Subwoofer weiter von den anderen Geräten entfernt aufstellen oder seine Lautstärke reduzieren.

Betrieb in der Nähe eines Fernsehgeräts

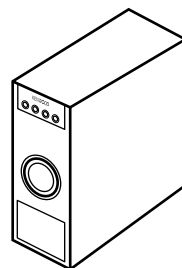
Wenn der Subwoofer in der Nähe eines Fernsehgeräts aufgestellt wird, kann der Fernsehempfang beeinträchtigt werden und Farbverfälschungen auftreten. Im Falle von Farbveränderungen am Bildschirm muß der Subwoofer weit genug vom Fernsehgerät entfernt aufgestellt werden, damit sich der Empfang normalisiert.

Achtung

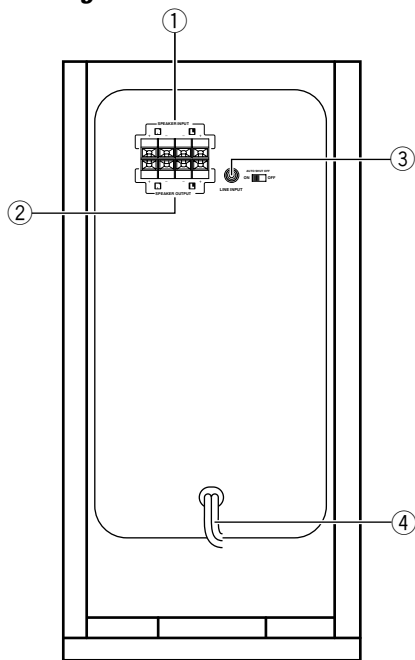
Um gute Belüftung sicherzustellen, die folgenden Punkte beim Einbau des Gerätes beachten.

- Einen Abstand von mindestens 10 cm zwischen dem Subwoofer zurück und der (den) umgebenden Wänden (Wänden) einhalten. Besonders Vorsicht ist geboten, damit der Kühlkörper beim Einbau nicht von einem Vorgang oder dgl. abgedeckt wird.
- Unbedingt den Subwoofer vertikal einbauen.

Vertikaler Einbau



Vorbereitungen



ACHTUNG

Den POWER-Schalter des Verstärkers oder Receivers und des Subwoofer auf OFF stellen. Wenn die Anschlüsse vorgenommen werden, während der (die) POWER-Schalter auf ON steht (stehen), können Beschädigungen des Verstärkers und/oder Subwoofer verursacht werden.

① SPEAKER INPUT-Anschlußklemmen

Verbinden Sie diese Klemmen mit den Lautsprecherausgängen des Verstärkers oder Receivers.

② SPEAKER OUTPUT-Anschlußklemmen

An diesen Buchsen liegt das über die SPEAKER INPUT-Klemmen empfangene Signal an. Hieran könnten Sie Ihre Frontlautsprecher anschließen.

③ LINE INPUT-Buchse

Diese Buchse werden mit den Subwoofer-Preout-Buchse des Verstärkers oder Receivers verbunden.

④ Netzkabel

zur Netzsteckdos

Der Subwoofer kann auf Arten mit dem Verstärker oder Receiver verbunden werden. Beachten Sie bitte die Anschlußhinweise auf den angegebenen Seiten.

Wenn Ihr Verstärker oder Receiver einen SUBWOOFER PREOUT-Ausgang aufweist;

Weitere Hinweise hierzu finden Sie unter "Anschließen an die SUBWOOFER PREOUT-Buchse". → [22]

Wenn Ihr Verstärker oder Receiver keinen SUBWOOFER PREOUT-Ausgang aufweist;

In dem Fall können Sie den Subwoofer an die Lautsprecherausgänge des Verstärkers oder Receivers anschließen. Siehe auch "Anschließen an die Lautsprecherklemmen des Verstärkers". → [22]

Hinweise:

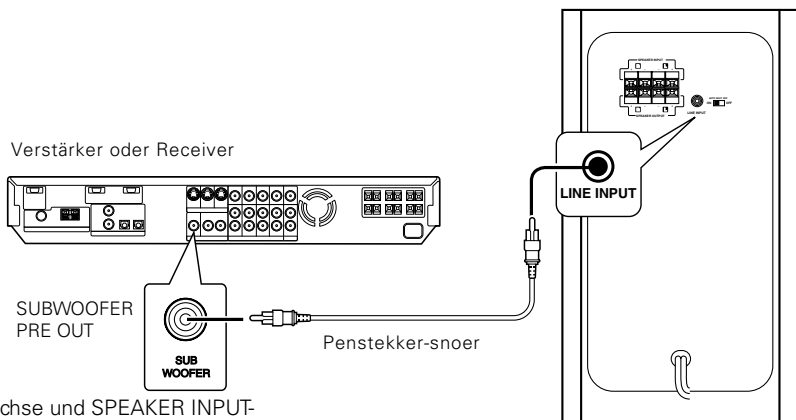
1. Schließen Sie alle Kabel immer vollständig an. Bei einer unvollständigen Verbindung kann nämlich Verzerrung oder Rauschen auftreten.
2. Lösen Sie vor Herstellen oder Lösen der Audioverbindungen den Netzanschluß. Andernfalls kommt es nämlich zu Funktionsstörungen bzw. werden die Lautsprecher beschädigt.
3. Verbinden Sie niemals den (+) und (-) Pol eines Lautsprecherkabels miteinander, weil es sonst zu einem Kurzschluß kommt.
4. Wählen Sie immer den geeigneten Kanal (L oder R) und achten Sie darauf, den (+) und (-) Pol mit dem richtigen Anschluß zu verbinden. Tun Sie das nicht, so kann die Klangwiedergabe unnatürlich oder seitenverkehrt ausfallen.
5. Bitte lesen Sie sich auch die Bedienungsanleitung der Geräte durch, an welche Sie die Lautsprecher anschließen.

Anschließen an die SUBWOOFER PREOUT-Buchse

Verwenden Sie das beiliegende Penstecker-snoer, um die SUBWOOFER PREOUT-Buchse des Verstärkers oder Receivers mit dem LINE INPUT-Buchse des Subwoofers zu verbinden.

ACHTUNG

Den POWER-Schalter des Verstärkers oder Receivers und des Subwoofer auf OFF stellen. Wenn die Anschlüsse vorgenommen werden, während der (die) POWER-Schalter auf ON steht (stehen), können Beschädigungen des Verstärkers und/oder Subwoofer verursacht werden.



Hinweis:

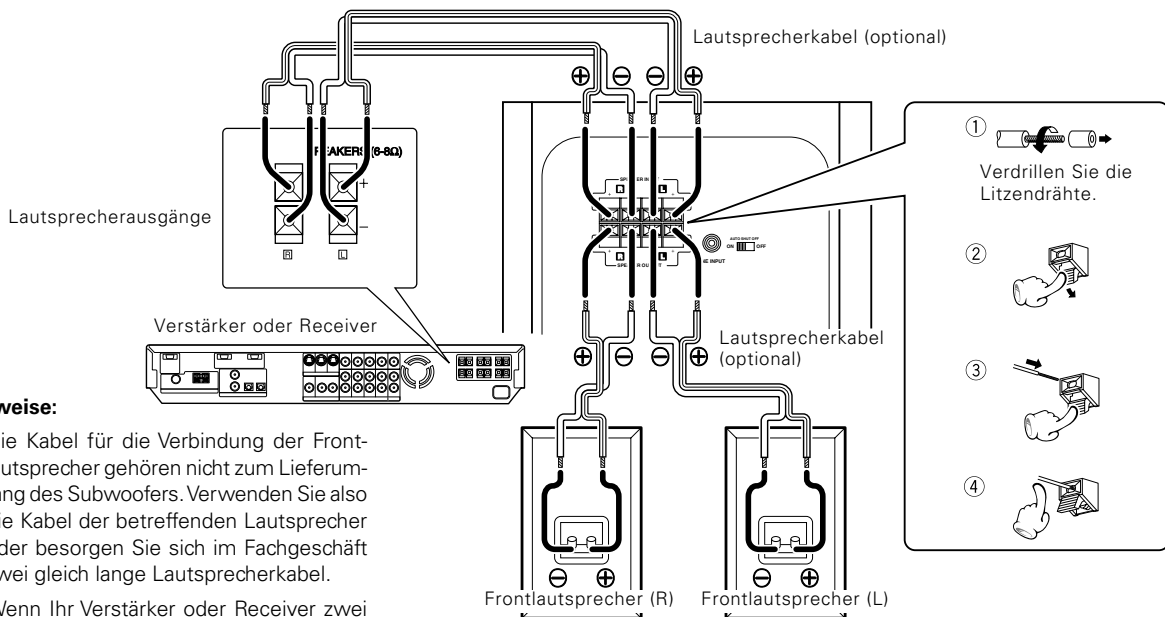
Benutzen Sie nicht LINE INPUT-Buchse und SPEAKER INPUT-Anschlußklemmen gleichzeitig.

Anschließen an die Lautsprecherklemmen des Verstärkers

Verbinden Sie die SPEAKER INPUT-Anschlußklemmen des Subwoofers mit den Lautsprecherausgängen des Verstärkers oder Receivers. An die SPEAKER OUTPUT-Anschlußklemmen des Subwoofers können Sie die Frontlautsprecher anschließen. Verwenden Sie für diese Anschlüsse ausschließlich Lautsprecherkabel.

ACHTUNG

Den POWER-Schalter des Verstärkers oder Receivers und des Subwoofer auf OFF stellen. Wenn die Anschlüsse vorgenommen werden, während der (die) POWER-Schalter auf ON steht (stehen), können Beschädigungen des Verstärkers und/oder Subwoofer verursacht werden.

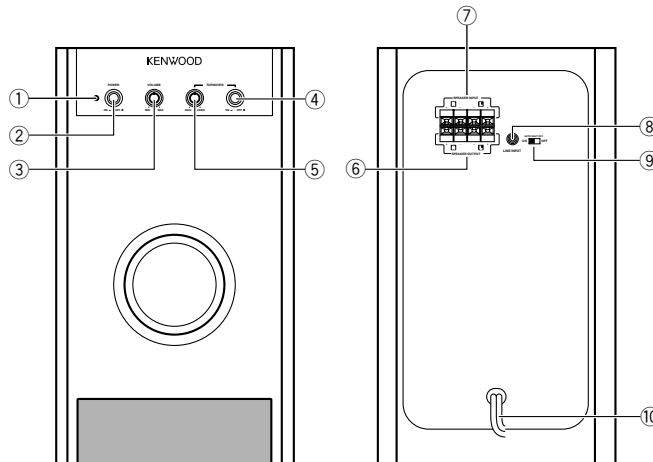


Hinweise:

1. Die Kabel für die Verbindung der Frontlautsprecher gehören nicht zum Lieferumfang des Subwoofers. Verwenden Sie also die Kabel der betreffenden Lautsprecher oder besorgen Sie sich im Fachgeschäft zwei gleich lange Lautsprecherkabel.
2. Wenn Ihr Verstärker oder Receiver zwei Lautsprecher-Ausgangspaare bietet, können Sie die Frontlautsprecher direkt mit den noch freien Ausgängen verbinden (statt sie an die SPEAKER OUTPUT-Anschlußklemmen des Subwoofers anzuschließen).
3. Benutzen Sie nicht LINE INPUT-Buchse und SPEAKER INPUT-Anschlußklemmen gleichzeitig.

ACHTUNG

- Die mit dem Subwoofer verbundenen Frontlautsprecher müssen die für den verwendeten Verstärker oder Receiver Empfänger vorgeschriebene Impedanz aufweisen.
- Beim Anschließen des mitgelieferten Adapters an den Verstärker oder Receiver muß darauf geachtet werden, die Klemmen "+" mit den Klemmen "+" und die Klemmen "-" mit den Klemmen "-" zu verbinden. Wenn eine Klemme "+" mit eine Klemme "-" oder umgekehrt verbunden wird, ist es möglich, daß der Verstärker oder Receiver beschädigt wird.



① on/standby Anzeige

Diese Anzeige zeigt den Betriebsmodus durch Leuchten in Grün, oder den Bereitschafts-modus durch Leuchten in rot an.

② POWER-Schalter

Diesen Schalter drücken, um die Stromversorgung zum Subwoofer ein- bzw. auszuschalten.

③ VOLUME-Knopf

Dient zum Einstellen des Subwoofer-Ausgangspegels. Wenn der Knopf im Uhrzeigersinn gedreht wird, erhöht sich der Lautstärkepegel, und durch Drehen im Gegen-uhrezeigersinn wird die Lautstärke reduziert.

④ TURNOVER-Schalter

Stellen Sie diesen Schalter (auf ON oder OFF) gemäß dem Ausgangssignal des Verstärkers oder Receivers ein, an den der Subwoofer angeschlossen ist.

ON: Um effizientes Leistungsvermögen des Subwoofers mit dem normalen Subwoofer-Vorverstärker-Ausgangssignal oder dem Leitungspegelsignal erhalten zu können, werden in dieser Position andere Komponenten als die niederfrequenten Komponenten ausgefiltert, so daß nur die Baßlänge durch den Subwoofer reproduziert werden.

OFF: Andere Komponenten als die erforderlichen niederfrequenten Komponenten der Ausgangssignale des Subwoofers von diesen Verstärker oder Receiver werden optimal in Abhängigkeit von dem aktuellen Klangmodus anwenderspezifisch ausgefiltert. Wenn der Subwoofer mit einem dieser Verstärker oder Receiver kombiniert ist, sollte der TURNOVER-Schalter auf Position OFF gestellt werden: Der Subwoofer legt keine elektrische Filterung an das Eingangssignal an, und reproduziert dieses originalgetreu durch den Lautsprecher.

TURNOVER-Funktion arbeitet nicht, wenn der TURNOVER-Schalter auf OFF gestellt ist.

⑤ TURNOVER-Reglers

Den Knopf drehen, um die Abschaltfrequenz für die Hochfrequenz-Komponenten des Subwoofer-Ausgangssignals einzustellen.

Beispiel einer Standardeinstellung, entsprechend des Modells der vorderen Lautsprecher

Frontlautsprecher	Übergangsfrequenz
Kleiner Lautsprecher	120~200 Hz
Mittelgroßer Lautsprecher	80~120 Hz
Großer Lautsprecher	60~80 Hz

Abhängig von den vorherrschenden Bedingungen im Hörraum und den Charakteristika der vorderen Lautsprecher können andere als die oben angegebenen Beispiele einen natürlicheren Baßklang und eine bessere Baß-Wiedergabe gewährleisten. Experimentieren Sie mit verschiedenen Einstellungen, um die optimalen Bedingungen für Ihren Hörraum herauszufinden.

TURNOVER-Funktion arbeitet nicht, wenn der TURNOVER-Schalter auf OFF gestellt ist.

⑥ **SPEAKER OUTPUT-Anschlußklemmen** – 21

⑦ **SPEAKER INPUT-Anschlußklemmen** – 21

⑧ **LINE INPUT-Buchse** – 21

⑨ **AUTO SHUTOFF-Schalter**

Diesen Schalter drücken, schaltet AUTO SHUTOFF Modus ON und OFF.

ON: Der Subwoofer schaltet automatisch in den Bereitschaftsmodus (rot Anzeigelampe), wenn innerhalb von ca. 10 Minuten kein Signal eingegeben wurde. Wenn der Bereitschaftsmodus durch die automatische Ausschaltfunktion aktiviert wird: Das Gerät schaltet sich einige Sekunden nach dem Empfang eines Signals erneut ein (Betriebsstatus).

⑩ **Netzkabel** – 21

Zur Beachtung bei der Verwendung

Durch einen zu hohen Eingangspegel zum Subwoofer kann die Klangqualität beeinträchtigt oder das Gerät beschädigt werden. Daher müssen die folgenden Punkte sorgfältig beachtet werden.

Hinweise:

1. Den Ausgang des Verstärkers oder Receivers nicht auf einen hohen Pegel einstellen, während die niedrigen Frequenzen mit dem Klangregler oder Lautstärkekonturregler des Verstärkers oder Receivers betont werden.
2. Die Lautstärke am Verstärker oder Receiver auf Minimum einstellen, wenn Bedienelemente am Verstärker oder Receiver betätigt werden oder wenn die Nadel auf die Schallplatte abgesenkt wird.

Bereitschaftsmodus

Wenn die on/standby Anzeige des Geräts aufleuchtet in rot, werden die internen Schaltkreise des Geräts. Dieser Betriebszustand wird als Bereitschaftsmodus bezeichnet.

Technische Daten

Ausführung

..... Subwoofer-System mit eingebauten Verstärker

[Verstärker]

Dynamische-Ausgangsleistung 75 W + 75 W (6Ω)

Nenn-Ausgangsleistung ... 60 W + 60 W RMS (100 Hz, 6Ω)

Eingangsempfindlichkeit und Eingangsimpedanz

LINE INPUT 230 mV (22 kΩ)

SPEAKER INPUT (1ch Eingangs) 2,0 mV (6,5 kΩ)

Frequenzgang

TURNOVER ON 15 Hz ~ 200 Hz

TURNOVER OFF 15 Hz ~ 3,5 kHz

Nenn-Leistungsaufnahme 100 W

[Lautsprecher]

Gehäuse Baßreflexbox, Aufstellung auf Fußboden

Lautsprecher 160 mm-konusmembran x 2

Nenn-Impedanz 6Ω

Abmessungen

Breite : 219 mm

Höhe : 439 mm

Tiefe : 392 mm

Nettogewicht 14,5 kg

Hinweise:

1. Im Sinne ständiger Verbesserung aller Erzeugnisse von KENWOOD behalten wir uns Änderungen im Design und den technischen Daten ohne vorhergehende Bekanntgabe vor.
2. Bei sehr niedrigen Temperaturen (unter dem Gefrierpunkt) wird unter Umständen keine ausreichende Leistung erhalten.

Alvorens het apparaat op het stopcontact aan te sluiten

⚠ **Let op :** Om veilige bediening te waarborgen, dient deze bladzijde zorgvuldig te worden doorgelezen.

De spanningsvereiste van het toestel zijn zoals hieronder aangegeven.

Europa en Groot-Brittannië alleen 230 V wisselstroom

LET OP

Dit apparaat blijft onder spanning staan zelfs wanneer de hoofdschakelaar uitgezet is.

**Batterij niet
Weggoien, maar
Inleveren als KCA**



Veiligheidsmaatregelen

WAARSCHUWING : STEL HET APPARAAT NIET BLOOT AAN REGEN OF VOCHT OM BRAND OF EEN GEVAARLIJKE ELEKTRISCHE SCHOK TE VOORKOMEN.



CAUTION
RISK OF ELECTRIC SHOCK
DO NOT OPEN



LET OP: VERWIJDER HET DEKSEL (OF DE ACHTERKANT) NIET OM EEN ELEKTRISCHE SCHOK TE VOORKOMEN. IN HET INWENDIGE ZIJN GEEN DOOR DE GEBRUIKER REPAREREERBARE ONDERDELEN AANWEZIG. LAAT ALLE REPARATIES OVER AAN HIERTOE BEVOEGDE PERSONEN.



EEN BLIKSEMPIJL IN EEN GELIJKZIJDIGE DRIEHOEK BETEKEN DE AANWEZIGHEID VAN NIET GEISOLEERDE "GEVAARLIJKE SPANNINGEN" IN HET INWENDIGE VAN HET APPARAAT. DEZE SPANNINGEN KUNNEN ZO GROOT ZIJN DAT ZE HET GEVAAR VAN EEN ELEKTRISCHE SCHOK OPLEVEREN.



EEN UITROEPTEKEN IN EEN GELIJKZIJDIGE DRIEHOEK MAAKT DE GEBRUIKER EROP ATTENT DAT ER BELANGRIJKE BEDIENING/ONDERHOUDSINFORMATIE IN DE BIJGEVOEGDE LITERATUUR IS.

Inleiding

Wij willen u bedanken voor het door u in de ons sprekersysteem gestelde vertrouwen. KENWOOD is ervan overtuigd, dat uw keuze jarenlang luisterplezier zal verzekeren.

Neem een moment om deze gebruiksaanwijzing aandachtig door te lezen. Dit zal ertoe bijdragen dat u alles uit het systeem haalt dat wij erin gebouwd hebben.

Voor uw administratie

Noteer het serienummer, op de achterkant van het apparaat, in de daarvoor bestemde ruimte op het garantiebewijs en in de onderstaande ruimte. Geef het model-en serienummer aan uw dealer door wanneer u contact met hem opneemt voor informatie of service.

SW-508 Serienummer _____

Uitpakken

Pak het apparaat zorgvuldig uit en let er goed op dat geen van de toebehoren kwijtraakt. Controleer het apparaat op mogelijke transportschade. Als het apparaat beschadigd is of niet werkt, stel dan meteen uw dealer hiervan op de hoogte. Als het apparaat rechtstreeks aan u werd toegezonden, stel dan onmiddellijk het transportbedrijf op de hoogte. Alleen de geadresseerde (de persoon of firma die het apparaat ontvangt) kan een schadeclaim indienen bij het transportbedrijf.

Het verdient aanbeveling de originele verpakking te bewaren voor het geval het apparaat in de toekomst, bijvoorbeeld bij verhuizing, nogmaals vervoerd moet worden.

Bewaar deze gebruiksaanwijzing voor eventuele naslag in de toekomst.

Lees alle veiligheidsinformatie en bedieningsaanwijzingen grondig door alvorens het apparaat in gebruik te nemen. Neem alle waarschuwingen die op het apparaat vermeld staan in acht alsook de instructies in de gebruiksaanwijzing. Bewaar de gebruiksaanwijzing voor eventuele naslag in de toekomst.

1. Voeding – Dit apparaat mag uitsluitend op de voedingsbron worden aangesloten die in de gebruiksaanwijzing of op het apparaat staat vermeld. Raadpleeg uw handelaar of het elektriciteitsbedrijf indien u niet zeker bent van de spanning in uw huis. Zie de gebruiksaanwijzing voor apparaten die via batterijen of andere bronnen van spanning worden voorzien.

2. Bescherming van het netsnoer – Leg het netsnoer zo dat er niet over gelopen wordt en het snoer niet klem komt te zitten. Let vooral goed op de plaats waar de stekker in het stopcontact wordt gestoken, op de stekker zelf en op de plaats waar het snoer uit het apparaat komt. Nooit aan het snoer trekken e.d.

3. Ventilatie – De openingen in de ombouw van het apparaat dienen voor de ventilatie en zorgen dat het toestel niet door oververhitting verkeerd zou kunnen gaan functioneren. Blokkeer deze openingen niet en dek ze niet af met een kleedje of dergelijk. Stel het apparaat zodanig op dat er een goede doorstroming van lucht kan plaatsvinden. Leg geen grammofoonplaten of een kleedje op het apparaat. Houd minimaal 10 cm afstand tot de muur. Zet het apparaat niet op een bed, divan, kleedje of iets dergelijks daar hierdoor de ventilatie-openingen afgesloten kunnen worden. Plaats het apparaat niet in een afgesloten kast, boekenkast of dicht rek tenzij de fabrikant uitdrukkelijk heeft vermeld dat het rek hiervoor geschikt is en de ventilatie niet wordt gehinderd.

4. Water en vocht - Stel het toestel niet bloot aan druipend of spattend water - bijvoorbeeld naast een bad, wastafel, aanrecht, of gootsteen, in een natte kelder; bij een zwembad enz. Zet geen voorwerpen met vloeistoffen, zoals een bloemenvaas, op het toestel.

5. Temperatuur – Het is mogelijk dat het apparaat niet goed functioneert bij lage temperaturen of temperaturen onder het vriespunt. De beste omgevingstemperatuur is hoger dan +5°C.

6. Hitte – Houd het apparaat uit de buurt van warmtebronnen zoals radiators, verwarmingselementen, kachels of andere apparatuur (zoals versterkers) die warmte uitstraalt. Zet geen voorwerpen met open vuur, zoals een kaars of lampion op of in de buurt van het apparaat.

7. Elektrische schok – Als een metalen voorwerp zoals een haarspeld of naald in het inwendige van het apparaat wordt gehouden, kan een gevaarlijke elektrische schok ontstaan. Voor gezinnen met kinderen geldt, dat er goed op gelet moet worden dat de kinderen nooit een voorwerp (vooral metaal) in het apparaat steken.

8. Verwijderen van de behuizing – Maak de behuizing nooit open. Worden abusievelijk inwendige onderdelen aangeraakt, dan kan dit resulteren in een gevaarlijke elektrische schok.

9. Reinigen – Haal alvorens het reinigen de stekker van het toestel uit het stopcontact. Gebruik geen vluchtige middelen zoals alcohol, verfverdunner, wasbenzine, spiritus e.d. om de buitenkant van het apparaat te reinigen. Gebruik een schoon droog doekje.

10. Onweer – Haal voor de veiligheid de stekker uit het stopcontact en ontkoppel de antenne of de kabel indien u het apparaat voor langere tijd niet gebruikt of in geval van onweer. U voorkomt zo dat het apparaat door lichtflitsen, onweer of andere oorzaken wordt beschadigd.

11. Vreemde geur – Als het apparaat vreemd ruikt of rook uitstoot, moet het apparaat onmiddellijk worden uitgeschakeld (OFF) en de stekker uit het stopcontact worden getrokken. Raadpleeg hierna uw dealer of dichtstbijzijnde servicecentrum.

12. Beschadigingen die vakkundige hulp vereisen – In de volgende gevallen dient contact te worden opgenomen met een erkende vakman voor het uitvoeren van reparaties:

- A.** Als het netsnoer of de netstekker beschadigd is.
- B.** Als een voorwerp op het apparaat gevallen is of er vloeistof in het apparaat terechtgekomen is.
- C.** Als het apparaat aan regen blootgesteld heeft gestaan.
- D.** Als het apparaat niet normaal functioneert en de handelingen zoals in de gebruiksaanwijzing beschreven zijn opgevolgd. Maak alleen instellingen met regelaars die in de gebruiksaanwijzing zijn beschreven. Een onjuiste afstelling van andere regelaars kan het apparaat mogelijk beschadigen. Onjuiste instellingen dienen door erkend onderhoudspersoneel te worden gerepareerd zodat het apparaat weer normaal functioneert.
- E.** Als het apparaat gevallen is of de behuizing beschadigd is.
- F.** Als de prestaties van het apparaat zienderogen achteruit gaan.

13. Service-werkzaamheden – De gebruiker mag uitsluitend de service-werkzaamheden uitvoeren die in de gebruiksaanwijzing beschreven zijn. Het uitvoeren van eventuele andere werkzaamheden dient te worden overgelaten aan de vakman.

14. Elektriciteitskabels – Buitenantennes dienen uit de buurt van elektriciteitskabels, andere elektrische circuits of spanningcircuits te worden geïnstalleerd. Let tevens op dat de antenne niet op deze kabels of circuits kan vallen. Voorkom fatale schokken en let op bij het installeren van antennes dat u geen hoogspanningskabels, elektriciteitskabels en circuits aanraakt.

15. Netuitgangen – Op de netuitgangen op het achterpaneel mag geen apparatuur worden aangesloten met een groter opgenomen vermogen dan de voorgeschreven waarde. Sluit op de netuitgangen ook geen normale huishoudelijke apparatuur aan (zoals een strijkijzer of broodrooster) daar dit brand of een elektrische schok zou kunnen veroorzaken.


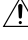

16. Overschrijding – Overschrijd de capaciteit van stopcontacten, stekkerdozen, verlengsnoeren, etc. niet daar dit kan resulteren in brand of een elektrische schok.

17. Bevestiging – Voorkom problemen en gebruik geen bevestigingsonderdelen die niet door de fabrikant zijn aanbevolen.

18. Vervangende onderdelen – Indien een bepaald onderdeel dient te worden vervangen, dient alleen een origineel, door de fabrikant aanbevolen onderdeel of een onderdeel met exact dezelfde karakteristieken te worden gebruikt. Andere onderdelen leveren mogelijk problemen op of kunnen brand of een beschadiging veroorzaken. Controleer dat het onderhoudspersoneel de juiste onderdelen heeft gebruikt.

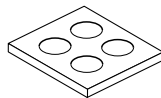
19. Veiligheidstest – Na reparatie of onderhoud van dit apparaat, dient u een veiligheidstest door het onderhoudspersoneel te laten uitvoeren, zodat u kunt controleren dat het apparaat juist functioneert.

Let op : Om veiligheidsredenen dienen de bladzijden voorzien van het  taken zorgvuldig te worden doorgelezen.

 Alvorens het apparaat op het stopcontact aan te sluiten	26
 Veiligheidsmaatregelen	26
Inleiding	26
 BELANGRIJKE VEILIGHEIDSMATREGELEN	27
Opstelling	28
Aansluitingen	29
Bedieningsorganen en indicators	31
Specificaties	32

Accessoires

Penstekker-snoer 1 Kussen 4 (1 vel)



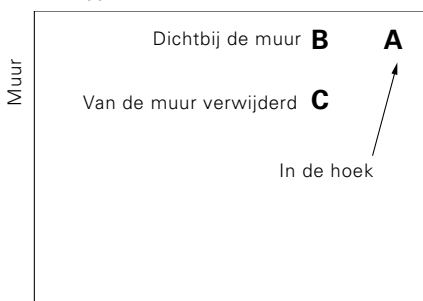
Bevestigingen van de kussentjes

Bevestig vier kussentjes aan de onderzijde van de subwoofer, op iedere hoek één. Dekussentjes zorgen ervoor dat de subwoofer niet kan glijden. Bovendien dempen ze de trillingen.

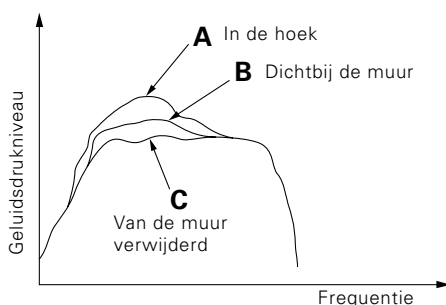
Opstelling

Deze Subwoofer is een bijna volledig alzijdig gerichte luidspreker wat betekent dat hij op praktisch iedere plaats kan worden opgesteld. De Subwoofer kan bijvoorbeeld naast de centrale installatie (bestaande uit versterker, tuner, cassetdeck etc.) of in de hoek van de kamer onder een bureau e.d. worden geplaatst. De weergave van de ultralage bassen is echter het beste als Subwoofer in een hoek of bij een muur wordt gezet. Aangezien de ultralage bassen in de muziek meestal in mono zijn, heeft u slechts één Subwoofer nodig om een bevredigend geluidseldeffekt te verkrijgen wanneer deze luidspreker in combinatie met een stereo-installatie wordt gebruikt. Dit is bovendien de reden waarom er geen aansluiting voor een tweede Subwoofer is.

Muur



Luidspreker installatieplaats, van bovenaf gezien



Rondzingen

Als de Subwoofer bij een platenspeler (voor grammofoonplaten) wordt geplaatst, kan rondzingen optreden. Mocht dit voorkomen, zet de Subwoofer dan verder van de platenspeler vandaan en verlaag het volume van de Subwoofer (draai de VOLUME CONTROL regelaar naar links). Het rondzingen kan ook veroorzaakt worden door kruiselingse interferentie met het cassetdeck, de CD-speler of Laserdisc-speler, alhoewel dit zeer zelden voorkomt. Indien als gevolg hiervan vervorming in het geluid of beeld optreedt, dient de Subwoofer verder van de betreffende componenten vandaan te worden opgesteld of moet het volume van de Subwoofer verlaagd worden.

Gebruik in de buurt van een TV

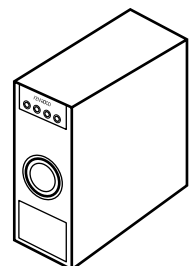
De ontvangst van het beeld en geluid van de TV wordt mogelijk gestoord en de kleuren zullen niet normaal zijn wanneer u de Subwoofer dicht bij de TV installeert. U moet de Subwoofer verder van de TV plaatsen indien de kleuren van het TV-scherm niet normaal zijn.

Let op

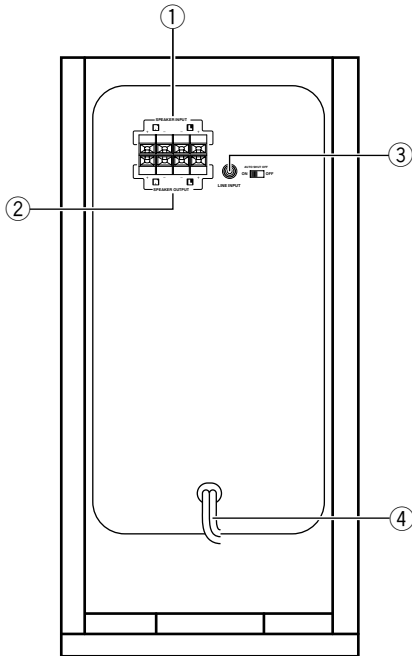
Om verzekerd te kunnen zijn van een afdoende ventilatie dient u bij de installatie de volgende punten in acht te nemen.

- Laat een ruimte van tenminste 10 cm vrij tussen de subwoofer achterkant en de wand(en) in de buurt. Wees extra voorzichtig dat de warmteput na de installatie niet afgedekt kan worden met een gordijn enz.
- U moet de subwoofer verticaal installeren.

Verticale installatie



Voordat u de aansluitingen maakt



LET OP

Zet de POWER schakelaar van de versterker of ontvanger en de Subwoofer op OFF. Indien de aansluitingen gemaakt worden met de POWER schakelaars op ON, kunnen beide apparaten beschadigd worden.

① SPEAKER INPUT-aansluitingen

Verbind deze aansluitingen met de luidspreker-uitgangsaansluitingen van uw versterker of ontvanger.

② SPEAKER OUTPUT-aansluitingen

Deze aansluitingen sturen het signaal uit dat wordt ontvangen door de SPEAKER INPUT-aansluitingen. U kunt deze aansluitingen gebruiken om dat signaal door te sturen naar de voorluidsprekers.

③ LINE INPUT-aansluiting

Deze aansluiting worden gebruikt om de Subwoofer Preout aansluitingen van de versterker op aan te sluiten.

④ Netsnoer

Naar stopcontact

U kunt de subwoofer op een van de volgende manieren op uw versterker of ontvanger aansluiten. Zie de onderstaande beschrijvingen en raadpleeg de aangegeven pagina's voor meer aanwijzingen over het aansluiten.

Als uw versterker of ontvanger is uitgerust met een SUBWOOFER PREOUT-aansluiting;

Maak de verbinding dan via deze aansluiting. Zie voor meer aanwijzingen over deze aansluiting de paragraaf

"Aansluiting op de SUBWOOFER PREOUT-aansluiting van een versterker". → [30](#)

Als uw versterker of ontvanger niet is uitgerust met een SUBWOOFER PREOUT-aansluiting;

In dit geval maakt u de verbinding via de luidspreker-uitgangsaansluitingen van de versterker of ontvanger. Zie voor meer aanwijzingen over deze aansluiting de paragraaf **"Aansluiting op de luidspreker-uitgangsaansluitingen van een versterker".** → [30](#)

Opmerkingen:

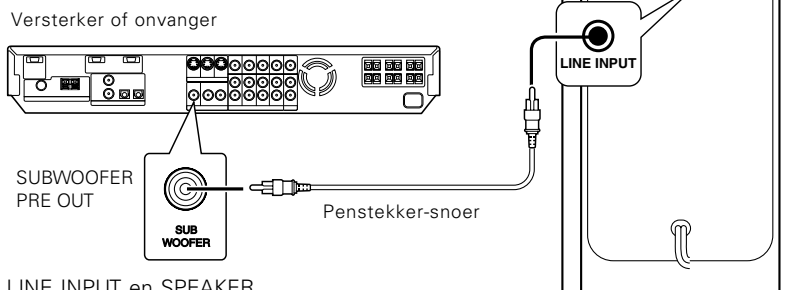
1. Zorg dat alle stekkers stevig in de stekkerbussen worden gestoken. Een losse verbinding kan ruis of vervorming van het geluid tot gevolg hebben.
2. Verbreek altijd de aansluiting van het netsnoer alvorens een verbinding van een aansluitsnoer te maken of te verbreken. Het maken van aansluitingen terwijl het apparaat onder stroom staat, kan leiden tot verkeerd functioneren van of beschadiging aan het apparaat.
3. Let op dat de (+) snoerader en de (-) snoerader nooit met elkaar in contact komen.
4. Verwissel nooit de R- en L-zijden of de (+) en (-)zijden als u de aansluitingen maakt. Het verwisselen van de rechter en linker zijden of omdraaien van de polariteit kan leiden tot een onnatuurlijke geluidswaergave.
5. Lees ook altijd de gebruiksaanwijzing van de apparatuur waar u de luidsprekers op aansluit en volg de aanwijzingen hierin op bij het maken van de aansluitingen.

Aansluiting op de SUBWOOFER PREOUT-aansluiting van een versterker

Gebruik voor het aansluiten van de subwoofer het bijgeleverde penstekker-snoer met tulpstekkers. Verbind de SUBWOOFER PREOUT-aansluiting van de versterker of ontvanger met de LINE INPUT-aansluiting van de subwoofer.

LET OP

Zet de POWER schakelaar van de versterker of ontvanger en de Subwoofer op OFF. Indien de aansluitingen gemaakt worden met de POWER schakelaars op ON, kunnen beide apparaten beschadigd worden.



Opmerking:

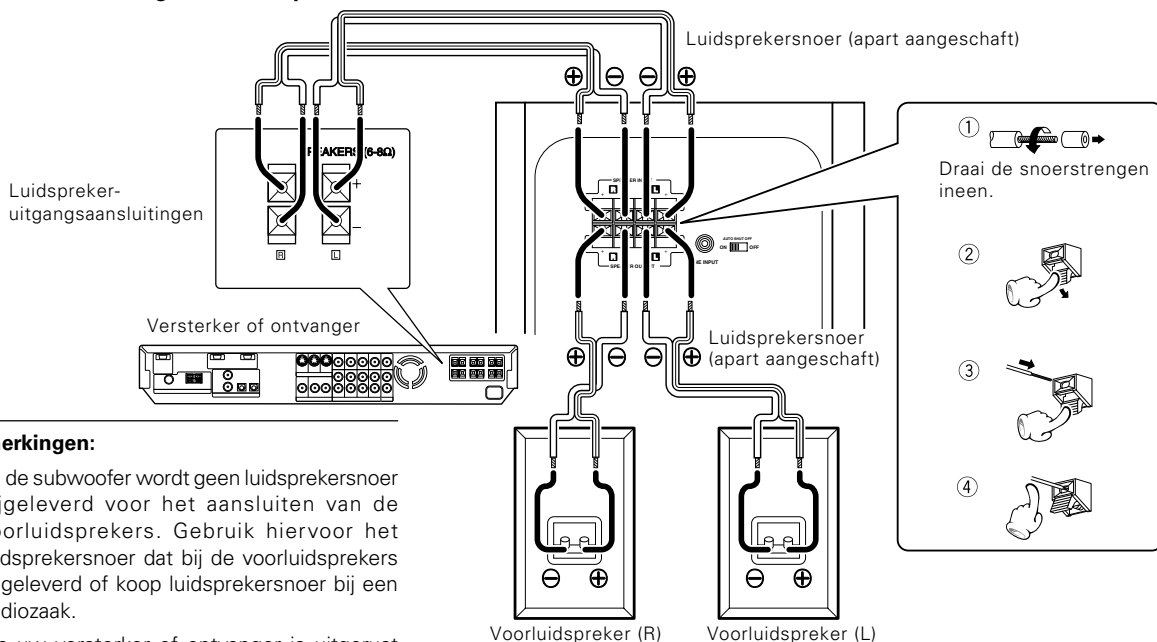
Gebruik niet ingangsaansluitingen LINE INPUT en SPEAKER INPUT-aansluitingen tegelijkertijd.

Aansluiting op de luidspreker-uitgangsaansluitingen van een versterker

Verbind de SPEAKER INPUT-aansluitingen van de subwoofer met de luidspreker-uitgangsaansluitingen van de versterker of ontvanger. Verbind de SPEAKER OUTPUT-aansluitingen van de subwoofer met de voorluidsprekers. Maak alle aansluitingen met luidsprekersnoer.

LET OP

Zet de POWER schakelaar van de versterker of ontvanger en de Subwoofer op OFF. Indien de aansluitingen gemaakt worden met de POWER schakelaars op ON, kunnen beide apparaten beschadigd worden.

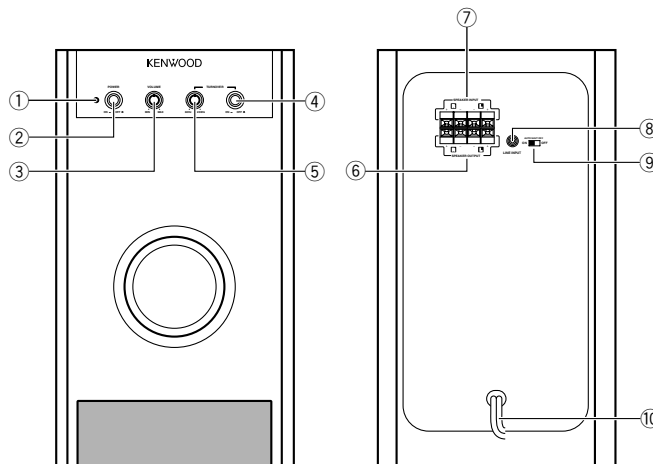


Opmerkingen:

1. Bij de subwoofer wordt geen luidsprekersnoer bijgeleverd voor het aansluiten van de voorluidsprekers. Gebruik hiervoor het luidsprekersnoer dat bij de voorluidsprekers is geleverd of koop luidsprekersnoer bij een audiozaak.
2. Als uw versterker of ontvanger is uitgerust met twee paar luidspreker-uitgangsaansluitingen, kunt u de voorluidsprekers direct op het tweede paar luidspreker-uitgangsaansluitingen aansluiten (dit is beter dan aansluiten op de SPEAKER OUTPUT-aansluiting van de subwoofer).
3. Gebruik niet ingangsaansluitingen LINE INPUT en SPEAKER INPUT-aansluitingen tegelijkertijd.

LET OP

- De luidsprekers die u met de subwoofer aansluit, moeten de voor de versterker of ontvanger vereiste impedantie hebben.
- Bij het aansluiten van de bijgeleverde adapter op de versterker of ontvanger dienen de "+" aansluitingen met de "+" aansluitingen en de "-" aansluitingen met de "-" aansluitingen te worden verbonden. Als een "+" aansluiting met een "-" aansluiting wordt verbonden, of omgekeerd, kan de versterker of ontvanger beschadigd worden.



① On/standby indicator

Als deze indicator groen oplicht, staat het toestel aan, en staat het toestel Standby en wanneer deze indicator rood oplicht.

② POWER schakelaar

Druk op deze schakelaar om de hoofdspanning naar de subwoofer in- en uit te schakelen (ON/OFF).

③ VOLUME regelaar

Stel het volumeniveau van de uitgang van de subwoofer met deze regelaar in. Draai de regelaar naar rechts om het volumeniveau te verhogen en draai naar links om het te verlagen.

④ TURNOVER schakelaar

Stel deze schakelaar in (ON of OFF) aan de hand van het uitgangssignaal van de versterker of ontvanger die is aangesloten op de subwoofer.

ON: Om de subwoofer in staat te stellen maximale prestaties te kunnen leveren met een gewoon subwoofer voorversterker signaal of signaal op lijn-niveau, zorgt de schakelaar in deze stand ervoor dat alleen de lage frequenties in het signaal worden doorgelaten zodat alleen de lage tonen worden gereproduceerd door de subwoofer.

OFF: De uitgangssignalen voor de subwoofer geproduceerd door bepaalde versterker of ontvanger zijn speciaal bewerkt zodat alleen de vereiste lage frequenties, mede afhankelijk van de ingestelde weergavefunctie, worden doorgestuurd. Wanneer de subwoofer wordt gecombineerd met een dergelijke versterker of ontvanger, moet u het TURNOVER uit (OFF) zetten; De subwoofer zal dan het ingangssignaal niet zelf gaan filteren en zal het door de versterker of ontvanger bedoelde signaal natuurgetrouw reproduceren.

TURNOVER functie werkt niet wanneer het TURNOVER uit (OFF) staat.

⑤ TURNOVER regelaar

Verdraai de regelaar om de drempelfrequentie voor de hoge tonen van de geluidswaergave van de subwoofer in te stellen.

Voorbeeld van standaardinstelling overeenkomstig het type voorluidsprekers

Voorluidspreker	Turnover-frequentie
Kleine luidspreker	120~200 Hz
Middelgrote luidspreker	80~120 Hz
Grote luidspreker	60~80 Hz

Afhankelijk van de karakteristieken van de luisterruimte en de voorluidspreker moet u mogelijk andere instellingen dan hier beschreven maken voor een natuurgetrouwere en effectievere weergave van de lage tonen. Probeer diverse instellingen even uit en kies de instelling waarbij het geluid optimaal klinkt.

TURNOVER functie werkt niet wanneer het TURNOVER uit (OFF) staat.

⑥ **SPEAKER OUTPUT-aansluitingen** → 29

⑦ **SPEAKER INPUT-aansluitingen** → 29

⑧ **LINE INPUT-aansluiting** → 29

⑨ **AUTO SHUTOFF schakelaar**

Druk op deze schakelaar om de hoofdspanning naar de Automatische uitschakeling in- en uit te schakelen (ON/OFF).

ON: De subwoofer schakelt automatisch in de standbyfunctie (de indicator licht rood op) indien er gedurende ongeveer 10 minuten geen signalen worden ontvangen. Wanneer de standby-stand wordt ingeschakeld via de functie voor het automatisch afslaan. Het toestel zal een paar seconden nadat er een ingangssignaal wordt gedetecteerd ingeschakeld worden (toestel in bedrijf).

⑩ **Netsnoer** → 29

Belangrijke opmerking betreffende het gebruik

Bij een te hoog ingangsniveau zal de geluidskwaliteit afnemen en kan de Subwoofer beschadigd raken. Neem daarom de onderstaande punten in acht.

Opmerkingen:

1. Stel het uitgangsniveau van de versterker of ontvanger niet te hoog in wanneer de lage frekwenties versterkt worden door de klank- en contourregeling van de versterker of ontvanger.
2. Zet de volumeregelaar van de versterker of ontvanger in de minimumstand bij de bediening van de schakelaars op de versterker of ontvanger of wanneer de pickup-naald op de plaat daalt.

Standbyfunctie
Met de standby-indicator opgelicht wordt er nog een kleine hoeveelheid spanning door het toestel verbruikt om bijvoorbeeld het geheugen te ondersteunen. We noemen dit de standbyfunctie.

Specificaties

Type Subwoofersysteem met ingebouwde versterker

[Versterker]

Dynamisch vermogen 75 W + 75 W (6Ω)

Nominaal uitgangsvermogen
..... 60 W + 60 W RMS (100 Hz, 6Ω)

Ingangsgevoeligheid & Ingangsimpedantie

LINE INPUT 230 mV (22 kΩ)

SPEAKER INPUT (1ch ingangs) 2,0 mV (6,5 kΩ)

Frequentiebereik

TURNOVER ON 15 Hz ~ 200 Hz

TURNOVER OFF 15 Hz ~ 3,5 kHz

Nominaal opgenomen vermogen 100 W

[Luidspreker]

Behuizing Basreflex, vloer-type

Luidsprekereenheden 160 mm konish type x 2

Nominale impedantie 6 Ω

Afmetingen

Breedth : 219 mm

Hoogte : 439 mm

Diepte : 392 mm

Netto gewicht 14,5 kg

Opmerkingen:

1. KENWOOD volgt een politiek van voortdurende aanpassing aan nieuwe ontwikkelingen. Hierdoor kunnen de specificaties dan ook zonder voorafgaande kennisgeving worden gewijzigd.
2. Het toestel werkt mogelijk niet optimaal in een zeer koude ruimte (bij temperaturen onder nul).

Prima di attivare l'alimentazione

 **Avvertenza** : Per un uso sicuro dell'apparecchio, leggete attentamente questa pagina.

Le unità sono disegnate per il funzionamento che segue.




La Gran Bretagna e l'Europa solo c.a. a 230 V

AVVERTENZA

L'alimentazione elettrica tra l'apparecchiatura e la presa di corrente CA a muro non viene completamente interrotta quando il pulsante principale viene posizionato su OFF.

Precauzioni per la sicurezza

AVVERTENZA : PER PREVENIRE FIAMME O RISCHI DI FOLGORAZIONE NON ESPORRE QUESTO APPARECCHIO ALLA PIOGGIA O ALL'UMIDITÀ

	CAUTION RISK OF ELECTRIC SHOCK DO NOT OPEN		ATTENZIONE: PER RIDURRE I RISCHI DI SCOSSE ELETTRICHE NON RIMUOVERE IL PANNELLO DI COPERTURA (O LA PARTE POSTERIORE). ALL'INTERNO NON VI SONO PARTI CHE POSSONO ESSERE UTILI ALL'UTENTE. AFFIDARE LA MANUTENZIONE A PERSONALE QUALIFICATO.
	IL SIMBOLO DEL LAMPO CON LA FRECCIA ALL'INTERNO DI UN TRIANGOLO EQUILATERO SERVE PER AVVERTIRE L'UTENTE DELLA PRESENZA DI UN "VOLTAGGIO PERICOLOSO" NON ISOLATO ALL'INTERNO DEL PRODOTTO SUFFICIENTEMENTE ALTO DA COSTITUIRE UN RISCHIO DI FOLGORAZIONE PER LE PERSONE.		
	IL PUNTO ESCLAMATIVO ALL'INTERNO DI UN TRIANGOLO EQUILATERO SERVE PER AVVERTIRE L'UTENTE DELLA PRESENZA DI IMPORTANTI ISTRUZIONI PER IL FUNZIONAMENTO E LA MANUTENZIONE NEL MATERIALE SCRITTO CHE ACCOMPAGNA L'APPARECCHIO.		

Introduzione

Ci congratuliamo per l'ottima decisione di completare il vostro impianto stereo con le casse acustiche KENWOOD. Siamo certi che tale acquisto non mancherà di offrirvi molti anni di piacevole ascolto. Prima di mettere in funzione le casse acustiche, vi consigliamo di leggere attentamente le seguenti istruzioni, al fine di ottenere il massimo delle prestazioni per le quali queste casse sono state studiate.

Per vostra referenza

Riportate il numero di serie, indicato sul retro dell'unità, nell'apposito spazio sulla carta di garanzia e nello spazio qui sotto. Citate il numero del modello e di serie ogni volta che rivolgete al vostro rivenditore per informazioni o assistenza.

SW-508 Numero di serie _____

Disimballaggio

Aprire l'imballaggio attentamente e mettete da parte tutti gli accessori in modo che non vadano persi.

Controllate che l'apparecchio non abbia subito alcun danno durante il trasporto. Se avesse subito dei danni o se non dovesse funzionare, rivolgetevi al vostro rivenditore. Se l'apparecchio vi è stato spedito direttamente, rivolgetevi immediatamente alla ditta di trasporto. Solo il destinatario (la persona o ditta ricevente l'apparecchio) può reclamare per questo tipo di danni.

Vi consigliamo di conservare la scatola ed il materiale d'imballaggio originali nel caso doveste trasportare o spedire di nuovo l'apparecchio.

Conservate questo manuale per poterlo consultare ancora in futuro.

Prima di utilizzare questa apparecchiatura, leggete sempre per intero le norme di sicurezza e le istruzioni per l'uso. Prestate attenzione a tutte le avvertenze presenti sull'apparecchiatura e nel manuale di istruzioni. Seguite tutte le norme di sicurezza e le istruzioni per l'uso. Conservate inoltre tutto il materiale illustrativo per poterlo consultare ancora in futuro.

1. Alimentazione – L'apparecchiatura deve essere collegata a fonti di alimentazione del solo tipo descritto nelle istruzioni o specificato sull'apparecchiatura stessa. Se non conoscete con sicurezza il tipo di alimentazione presente nella vostra abitazione, consultate il vostro rivenditore o l'azienda elettrica. Per quanto riguarda apparecchiature alimentate con batterie o altre fonti di alimentazione, vedere il manuale di istruzioni.

2. Protezione del cavo di alimentazione – I cavi di alimentazione devono venire stesi in modo che non possano venire calpestati o schiacciati da oggetti, facendo particolare attenzione alle giunzioni fra cavi e spine ed ai punti di uscita dall'apparecchiatura.

3. Ventilazione – Sul mobile sono presenti fessure ed aperture per la ventilazione, per assicurare un funzionamento affidabile e per proteggere l'apparecchiatura stessa dal surriscaldamento che non devono essere bloccate o coperte. Quest'apparecchiatura deve trovarsi in una posizione che ne permetta l'aerazione. A questo scopo, evitate di porre dischi o panni sul suo pannello superiore. Essa deve inoltre distare almeno 10 cm dalle pareti. Non posate l'apparecchiatura su superfici morbide come divani, letti o tappeti, dato che potrebbero bloccare le fessure di ventilazione. Questa apparecchiatura non deve essere installata in uno scaffale a meno che non venga fornita una ventilazione appropriata seguendo le istruzioni del fabbricante.

4. Acqua ed umidità – L'apparecchio non deve venire esposto a spruzzi d'acqua ed umidità, installandolo ad esempio vicino ad un bagno, lavabo, lavandino o in uno scantinato umido o altro luogo simile. Non posare sull'apparecchio alcun oggetto contenente liquidi, ad esempio un vaso di fiori.

5. Temperatura – L'apparecchiatura potrebbe non funzionare correttamente se fosse usata a temperature basse o sotto lo zero. La temperatura ideale è al di sopra dei 5° centigradi.

6. Calore – Proteggetela da sorgenti di calore come termosifoni, condizionatori, stufe o altri componenti (compresi amplificatori) che producano calore. Non mettere fiamme vive, ad esempio candele o lanterne, su o vicino l'unità.

7. Folgorazioni – Fate attenzione ad evitare l'ingresso di oggetti o liquidi nell'apparecchiatura. Se un oggetto in metallo, ad esempio un ago o simili, entrasse nell'unità, potrebbe causare un corto circuito. Se avete bambini, non permettete loro di porre oggetti, specialmente in metallo, all'interno dell'apparecchiatura.

8. Apertura dell'apparecchiatura – Non aprite mai l'apparecchiatura. Se le parti interne fossero toccate incidentalmente, una scarica elettrica molto grave potrebbe avere luogo.

9. Pulizia – Scollegate l'apparecchio dalla presa di rete prima della pulizia. Non pulite il mobile con solventi volatili come alcool, benzina, diluenti, ecc. Usate solo un panno asciutto.

10. Temporalì – Per un'ulteriore protezione di questa apparecchiatura durante un temporale oppure quando essa non viene utilizzata per un lungo periodo, scollegare la spina dalla presa di rete e l'antenna o i cavi. Ciò eviterà danni dovuti a fulmini e ad improvvisi aumenti di tensione.

11. Odori anormali – Se notate odori anormali o fumo, spegnete l'apparecchiatura e staccate immediatamente la spina di alimentazione. Entrate subito in contatto con personale tecnico o con il vostro rivenditore.

12. Riparazioni che richiedono manodopera specializzata – Affidate l'apparecchiatura a personale specializzato se:

- A.** Il cavo di alimentazione ha subito danni.
- B.** Oggetti o liquidi sono entrati nell'apparecchiatura.
- C.** L'apparecchiatura si è bagnata.
- D.** L'apparecchio non sembra funzionare normalmente seguendo le istruzioni riportate nel manuale. Regolare solo i comandi descritti nel manuale di istruzioni in quanto una regolazione inappropriata di altri comandi potrebbe causare danni e necessità di interventi estensivi da parte di un tecnico qualificato per ripristinare il normale funzionamento dell'unità stessa.
- E.** L'unità ha subito forti urti.
- F.** L'apparecchio mostra segni di marcati cambiamenti nelle sue prestazioni.

13. Riparazioni – L'utente non deve tentare riparazioni non descritte in questo manuale. Ogni altra operazione deve essere affidata a personale autorizzato.

14. Linee ad alta tensione – Un'antenna esterna non deve essere installata in prossimità di linee ad alta tensione o altre linee elettriche o in posizioni in cui essa potrebbe cadere su quest'ultime. Quando installate un'antenna esterna, fate attenzione a non toccare tali linee in quanto il contatto potrebbe essere fatale.

15. Prese di servizio di c.a. – Non collegate a queste prese componenti il cui consumo superi quello massimo indicato vicino alla presa sul pannello posteriore. Non collegate mai elettrodomestici ad alto consumo, ad esempio ferri da stiro o tostapane, per evitare incendi o folgorazioni.

16. Sovraccarichi – Non sovraccaricate le prese di rete, i cavi di estensione o le prese sull'apparecchio in quanto ciò potrebbe risultare in fiamme o scosse elettriche.

17. Accessori – Non utilizzate accessori non raccomandati dal fabbricante in quanto essi potrebbero causare problemi.

18. Parti di ricambio – Quando sono necessarie parti di ricambio, accertatevi che il tecnico del servizio di assistenza utilizzi parti specificate dal fabbricante o che possiedono le stesse caratteristiche delle parti originali. Sostituzioni non con parti non compatibili possono causare fiamme, scosse elettriche o altri problemi.

19. Controlli sicurezza – Al termine di qualsiasi intervento per la manutenzione o la riparazione di questa apparecchiatura, chiedete al tecnico del servizio di assistenza di eseguire controlli di sicurezza per determinare la sicurezza di utilizzo dell'apparecchiatura stessa.

Attenzione : Per ragioni di sicurezza, leggete con particolare attenzione le pagine contrassegnate con il simbolo ⚠.

⚠ Prima di attivare l'alimentazione	34
⚠ Precauzioni per la sicurezza	34
Introduzione	34
⚠ IMPORTANTI NORME DI SICUREZZA	35
Installazione	36
Collegamenti	37
Comandi ed indicatori	39
Dati tecnici	40

Accessori

Cavo con spinotti a spillo 1 Cuscino 4 (1 foglio)



Collegamento dei supporti antivibrazione

Collegare quattro cuscini alla base del subwoofer, uno per angolo. Questi cuscini evitano lo slittamento del subwoofer, oltre a smorzare le vibrazioni.

Installazione

Il subwoofer è un diffusore praticamente omnidirezionale e perciò può essere installato quasi dovunque. Per esempio, il subwoofer può essere installato vicino all'impianto centrale (consistente di amplificatore, sintonizzatore, registratore a cassette, ecc.) oppure in un angolo della stanza, sotto ad una scrivania, ecc.. Le caratteristiche di riproduzione degli ultra-bassi del subwoofer sono le più ricche quando esso viene installato in un angolo o vicino ad una parete. Dato che la componente ultra-bassa della musica è normalmente monoaurale, è necessario un solo subwoofer per ottenere un effetto del campo sonoro sufficiente quando usato in combinazione con un impianto stereo. Inoltre, non è possibile collegare due subwoofer.

Retroazione

Se il subwoofer viene installato vicino ad un giradischi analogico, potrebbe venire generato un suono di retroazione. Se ciò dovesse accadere, allontanare il subwoofer dal giradischi o ridurre il volume (ruotando il VOLUME in senso antiorario). Il fenomeno di retroazione, o urlo, può anche verificarsi a causa di interferenze con un registratore a cassette, un lettore CD o un lettore di video dischi, quantunque ciò sia molto raro. Se il suono o l'immagine sembrano distorti a causa di ciò, allontanare il subwoofer dagli altri componenti o ridurre il volume.

Uso vicino a televisori

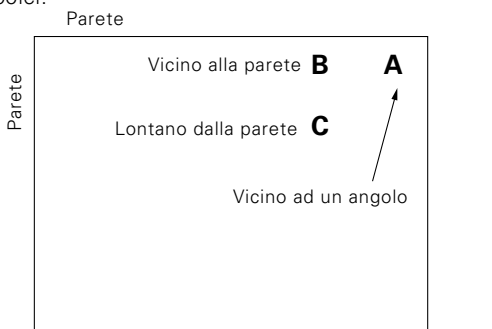
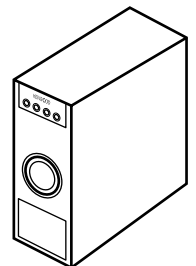
Se il Subwoofer viene installato vicino ad un televisore, la ricezione TV potrebbe venire influenzata e l'immagine avere una colorazione anormale. Se ciò dovesse accadere, allontanare il Subwoofer dal televisore sino a che la ricezione non si normalizza.

Avvertenza

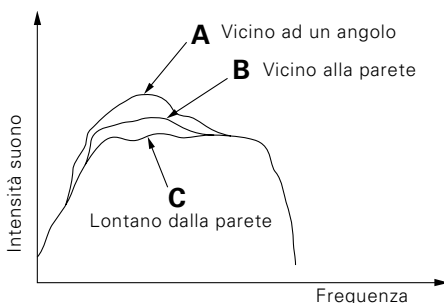
Per garantire la ventilazione, nell'installare l'unità tenere presente i seguenti punti.

Installazione verticale

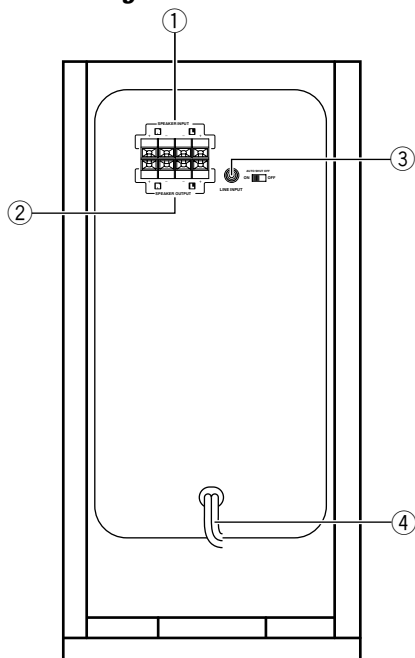
- È necessario lasciare una distanza di oltre 10 cm fra il subwoofer indietro e le pareti. Fare particolare attenzione a non coprirlo con tende o altro.
- Installare il subwoofer sempre verticalmente.



Posizione di installazione dei diffusori vista dall'alto



Prima del collegamento



AVVERTENZA

Portare gli interruttori POWER dell'amplificatore o sintoamplificatore e del subwoofer su OFF. Se essi venissero collegati con l'interruttore POWER su ON, uno di essi od entrambi potrebbero venire danneggiati.

① Terminali SPEAKER INPUT

Collegare ai terminali di uscita per diffusore dell'amplificatore o del sintoamplificatore.

② Terminali SPEAKER OUTPUT

Questi terminali vengono utilizzati per l'uscita del segnale ricevuto dai terminali SPEAKER INPUT, possono essere utilizzati per ritrasmettere il segnale ai diffusori anteriori.

③ Prese LINE INPUT

Queste prese vengono usate per collegare le prese di uscita di preamplificazione per il subwoofer.

④ Cavo di alimentazione

Alla presa a muro della rete elettrica in c.a.

È possibile collegare il subwoofer all'amplificatore o al sintoamplificatore, come indicato. Fare riferimento alla pag. indicata per le istruzioni sul collegamento.

Se l'amplificatore o il sintoamplificatore prevedono un prese SUBWOOFER PREOUT;

Procedere al collegamento utilizzando questo prese. Per le istruzioni sul collegamento, veda "Collegamento al prese SUBWOOFER PREOUT dell'amplificatore". → [38](#)

Se l'amplificatore o il sintoamplificatore non prevedono un prese SUBWOOFER PREOUT;

In questo caso è possibile collegarsi ai terminali di uscita per diffusore del l'amplificatore o del sintoamplificatore. Per le istruzioni, veda "Collegamento dei terminali di uscita per diffusore dell'amplificatore". → [38](#)

Note:

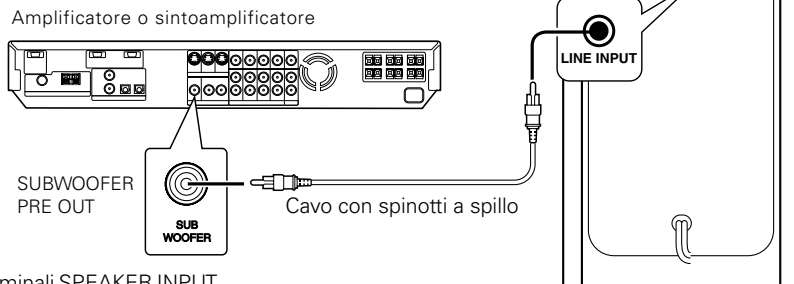
1. Accertarsi di collegare saldamente tutti i cavi. I collegamenti precari possono produrre distorsione o disturbi.
2. Scollegare sempre il cavo di alimentazione prima di collegare o scollegare i cavi. Lasciando l'alimentazione inserita nel corso dei collegamenti si possono provocare guasti o danni.
3. Mai cortocircuitare i fili (+) e (-) del diffusore.
4. Nel corso dei collegamenti, non invertire L e R o (+) e (-), questa inversione di lati o polarità può produrre un suono innaturale e dalla spazialità errata.
5. Si prega di leggere la documentazione che accompagna gli apparecchi ai quali ci si collega, quindi eseguire i collegamenti rispettando le relative istruzioni.

Collegamento al prese SUBWOOFER PREOUT dell'amplificatore

Con il cavo con spinotti a spillo in dotazione al subwoofer, collegare il prese SUBWOOFER PREOUT dell'amplificatore o del sintoamplificatore al prese LINE INPUT del subwoofer.

AVVERTENZA

Portare gli interruttori POWER dell'amplificatore o sintoamplificatore e del subwoofer su OFF. Se essi venissero collegati con l'interruttore POWER su ON, uno di essi od entrambi potrebbero venire danneggiati.



Nota:

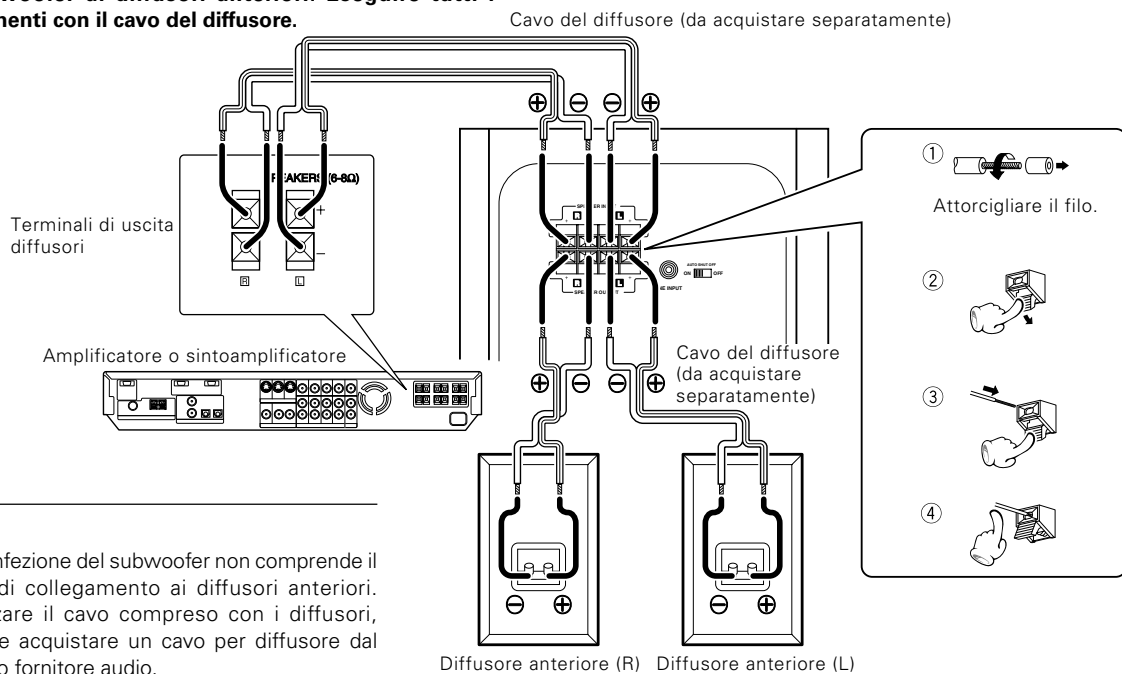
Non utilizzi la presa LINE INPUT ed i terminali SPEAKER INPUT allo stesso tempo.

Collegamento dei terminali di uscita per diffusore dell'amplificatore

Collegare i terminali SPEAKER INPUT del subwoofer ai terminali di uscita per diffusore dell'amplificatore o del sintoamplificatore. Collegare i terminali SPEAKER OUTPUT del subwoofer ai diffusori anteriori. Eseguire tutti i collegamenti con il cavo del diffusore.

AVVERTENZA

Portare gli interruttori POWER dell'amplificatore o sintoamplificatore e del subwoofer su OFF. Se essi venissero collegati con l'interruttore POWER su ON, uno di essi od entrambi potrebbero venire danneggiati.

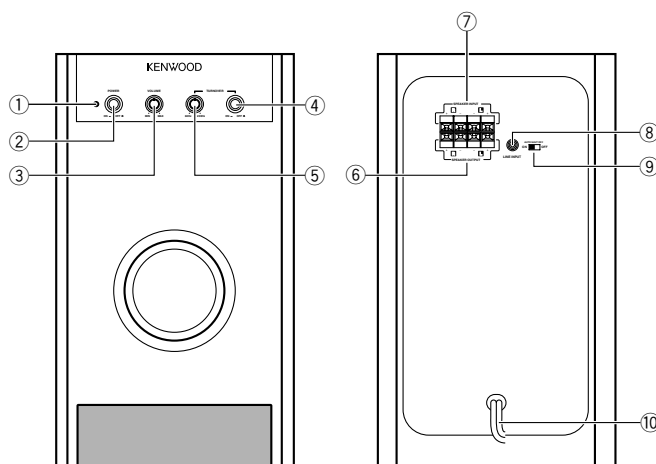


Note:

1. La confezione del subwoofer non comprende il cavo di collegamento ai diffusori anteriori. Utilizzare il cavo compreso con i diffusori, oppure acquistare un cavo per diffusore dal proprio fornitore audio.
2. Nel caso in cui l'amplificatore o il sintoamplificatore presenti due serie di terminali di uscita per diffusore, è possibile collegare i diffusori anteriori direttamente al secondo gruppo di terminali (invece che collegarli ai terminali SPEAKER OUTPUT del subwoofer).
3. Non utilizzi la presa LINE INPUT ed i terminali SPEAKER INPUT allo stesso tempo.

AVVERTENZA

- I diffusori anteriori collegati con il subwoofer devono avere un'impedenza adatta all'amplificatore o sintoamplificatore in uso.
- Quando si collega l'adattatore in dotazione all'amplificatore o sintoamplificatore, accertarsi di collegare sempre i terminali "+" ai terminali "+" ed i terminali "-" ai terminali "-". Se un terminale "+" viene collegato ad un terminale "-" o viceversa, l'amplificatore o sintoamplificatore potrebbe venire danneggiato.



① Indicatore di on/attesa

Questo indicatore indica la modalità di funzionamento, quando brilla di luce verde, e la modalità di on/attesa (Standby), quando brilla di luce rosso.

② Interruttore POWER

Premerlo per accendere e spegnere il subwoofer.

③ Manopola VOLUME

Regola il volume di uscita del subwoofer. Ruotando la manopola in direzione oraria il volume aumenta, mentre ruotandola in direzione opposta esso diminuisce.

④ Selettore TURNOVER

Impostare questo selettore su ON o OFF a seconda del segnale ricevuto dall'amplificatore o sintonizzatore da collegare al subwoofer.

ON: per permettere al subwoofer di rendere al massimo con il segnale normale per subwoofer prodotto dall'uscita di preamplificazione o dall'uscita di linea, questa posizione taglia le frequenze al di sopra di una certa soglia in modo che il subwoofer riceva appunto solo le basse frequenze.

OFF: i segnali mandati al subwoofer da uno di questi amplificatori o sintonizzatori vengono elaborati per eliminare altre componenti oltre a quella di bassa frequenza nel modo più adatto alla modalità del suono al momento in uso. Se il subwoofer viene usato insieme a uno di questi amplificatori o sintonizzatori, il selettore TURNOVER deve venire portato su OFF, posizione in cui il segnale in ingresso non viene filtrato e viene riprodotto fedelmente dai diffusori.

TURNOVER funzione non funziona se il selettore TURNOVER si trova su OFF.

⑤ Manopola TURNOVER

Ruotare questa manopola per regolare la frequenza di taglio delle componenti di alta frequenza emesse dal subwoofer.

Modo di attesa

Quando l'indicatore del modo di attesa è acceso nel colore rosso, una piccola quantità di corrente scorre nell'unità. Questo modo di funzionamento viene chiamato appunto modo di attesa.

Esempi di regolazione standard a seconda del tipo di diffusore anteriore posseduto

Diffusore anteriore	Frequenza di turnover
Diffusore piccolo	120~200 Hz
Diffusore medio	80~120 Hz
Diffusore grande	60~80 Hz

A seconda delle caratteristiche dell'ambiente di ascolto e dei diffusori anteriori, per ottenere bassi naturali ed una loro riproduzione ottimale potrebbero essere necessarie altre regolazioni oltre quelle viste negli esempi. Provare varie regolazioni sino a trovare quella che più si adatta alle proprie condizioni di ascolto.

TURNOVER funzione non funziona se il selettore TURNOVER si trova su OFF.

⑥ Terminali SPEAKER OUTPUT → 37

⑦ Terminali SPEAKER INPUT → 37

⑧ Prese LINE INPUT → 37

⑨ Interruttore AUTO SHUTOFF

Commuta il modo di AUTO SHUTOFF ON e OFF.

ON: il subwoofer si porta automaticamente nel modo di attesa (luce color rosso) se per 10 minuti non viene ricevuto alcun segnale. Se il modo di attesa viene iniziato dallo spegnimento automatico: l'unità si riaccende da sé qualche secondo dopo che un segnale viene ricevuto.

⑩ Cavo di alimentazione → 37

Cautele riguardo al funzionamento

Un livello eccessivo in ingresso sul subwoofer può influenzare negativamente il suono o danneggiare l'unità. Porre perciò attenzione nel seguire le seguenti precauzioni.

Note:

- Non portare l'uscita dell'amplificatore o sintonizzatore ad un alto livello mentre il livello a bassa frequenza viene enfatizzato dai comandi di tono o di loudness dell'amplificatore o sintonizzatore.
- Quando si azionano i comandi dell'amplificatore o sintonizzatore o quando si pone la puntina su di un disco, impostare il volume dell'amplificatore o sintonizzatore al minimo.

Dati tecnici

Tipo Sistema subwoofer con amplificatore incorporato

[Amplificatore]

Potenza dinamica 75 W + 75 W (6 Ω)

Potenza d'uscita 60 W + 60 W RMS (100 Hz, 6 Ω)

Sensibilità ed impedenza in ingresso

LINE INPUT 230 mV (22 k Ω)

SPEAKER INPUT (1ch ingresso) 2,0 V (6,5 k Ω)

Risposta in frequenza

TURNOVER ON 15 Hz ~ 200 Hz

TURNOVER OFF 15 Hz ~ 3,5 kHz

Consummation nominale 100 W

[Diffusore]

Cassa Bass reflex, tipo da pavimento

Altoparlanti Tipo a cono da 160 mm x 2

Impedenza nominale 6 Ω

Dimensioni

Larghezza : 219 mm

Altezza : 439 mm

Profondità : 392 mm

Peso netto 14,5 kg

Note:

1. La KENWOOD persegue una politica di continuo sviluppo attraverso attraverso la ricerca. Per questa ragione i dati tecnici sono soggetti a modifiche senza preavviso.
2. In luoghi estremamente freddi (dove l'acqua congeli) potrebbe non essere possibile ottenere un rendimento sufficiente.

Antes de encender el aparato

⚠ Precaución : Lea cuidadosamente estas páginas para asegurar una operación sin anomalías.

Los aparatos han sido diseñados para funcionar con las tensiones siguientes.

Europa y Reino Unido CA 230 V solamente
Otros países CA110-120 / 220-240 V conmutable *

PRECAUCIÓN

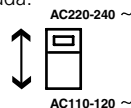
Aunque el conmutador principal esté en la posición OFF, no se cortará completamente el suministro eléctrico procedente de la toma de CA de pared.

* Selección de tensión alterna

El conmutador selector de tensión alterna, ubicado en el panel trasero, ha sido ajustado a la tensión utilizada en el lugar de destino. Antes de conectar el cable de alimentación en la toma de CA, cerciórese de que la posición del conmutador concuerda con la tensión de la línea. De lo contrario, ajuste el conmutador a la tensión de línea siguiendo las indicaciones siguientes.

Conmutador selector de tensión alterna

Mueva el conmutador selector hasta la posición correspondiente a la tensión de línea con un destornillador u otra herramienta puntiaguda.



Nota: Nuestra garantía no cubre las averías causadas por una tensión de línea excesiva debida a un ajuste inapropiado de los conmutadores selector de tensión alterna.

Precauciones de seguridad

AVISO : PARA EVITAR INCENDIOS O DESCARGAS ELECTRICAS, NO EXPONGA ESTE APARATO A LA LLUVIA NI A LA HUMEDAD.

	CAUTION RISK OF ELECTRIC SHOCK DO NOT OPEN		PRECAUCION: PARA REDUCIR EL RIESGO DE DESCARGA ELECTRICA, NO RETIRE LA TAPA (O PANEL POSTERIOR). EN EL INTERIOR DEL APARATO NO HAY PIEZAS QUE PUEDA REPARAR EL USUARIO. PIDA AL PERSONAL CUALIFICADO QUE HAGA LAS REPARACIONES NECESARIAS.
	EL SIMBOLO DEL RAYO, EN EL INTERIOR DE UN TRIANGULO EQUILATERO, TIENE COMO FIN AVISAR AL USUARIO DE LA PRESENCIA DE UNA TENSION PELIGROSA SIN AISLAR, EN EL INTERIOR DE LA CAJA DEL APARATO, QUE PODRIA SER DE SUFICIENTE INTENSIDAD COMO PARA QUE LAS PERSONAS PODRIAN SUFRIR UNA DESCARGA ELECTRICA.		
	EL SIGNO DE EXCLAMACION, EN EL INTERIOR DE UN TRIANGULO EQUILATERO, TIENE COMO FIN AVISAR AL USUARIO DE LA PRESENCIA DE IMPORTANTES INSTRUCCIONES DE OPERACION Y MANTENIMIENTO (SERVICIO) EN EL MANUAL SUMINISTRADO CON EL APARATO.		

Introducción

Gracias por adquirir los altavoces nuestros para formar parte de su excelente sistema de alta fidelidad. En KENWOOD confiamos que su elección le traerá muchos años de agradable audición.

Rogamos leer estas instrucciones atentamente a fin de obtener el mejor rendimiento de estos altavoces.

Identificación de la unidad

Inscriba el número de serie de la unidad, que aparece en la parte posterior de la misma, en los espacios provistos en la tarjeta de garantía y también en el espacio de abajo. Al dirigirse al distribuidor para cualquier información, o para solicitar su asistencia, indíquelo siempre el modelo y el número de serie del aparato.

SW-508 Número de serie _____

Después de desembalarlo

Después de desembalar la unidad, recomendamos la inspección de la misma por si ha sido dañada durante el transporte. Si la unidad está dañada o no funciona, notificarlo al distribuidor inmediatamente. Si la unidad ha sido remitida directamente, notificar a la compañía de transportes sin demora. Solamente el destinatario (la persona o compañía que recibe la unidad) puede hacer la reclamación a la compañía de transportes por los daños ocasionados.

Recomendamos guardar el cartón y el material de embalaje para proteger la unidad en caso de futuros transportes.

Tenga este manual a mano para su futuro uso.



Lea por favor todas la instrucciones de seguridad y funcionamiento antes de utilizar este aparato. Observe todas las advertencias del aparato y del manual de instrucciones. Siga todas las instrucciones de seguridad y funcionamiento. Estas instrucciones de seguridad y funcionamiento deben guardarse para ser utilizadas en el futuro como referencia.

1. Alimentación – El aparato debe conectarse solamente a una fuente de alimentación descrita en el manual de instrucciones o indicada en el aparato. Si no está seguro acerca del tipo de fuente de alimentación de su hogar, consulte a su concesionario o a la compañía eléctrica de la localidad. Para aparatos que van a funcionar con pilas u otras fuentes de alimentación, consulte sus manuales de instrucciones.

2. Protección del cable de alimentación – Los cables de alimentación deben instalarse de forma que no puedan ser pisados ni atrapados al colocar sobre/contra ellos alguna cosa. Tenga mucho cuidado con los cables, enchufes, tomas de corriente y puntos de donde los cables salen del aparato.

3. Ventilación – Las ranuras y aberturas de la caja sirven para la ventilación del aparato, y para asegurar un funcionamiento seguro y protegerlo del sobrecalentamiento. Estas aberturas no deben bloquearse ni taparse. El aparato debe colocarse de forma que nada pueda interferir con su ventilación apropiada. Para mantener una buena ventilación, no ponga discos ni manteles sobre el aparato. Separe el aparato un mínimo de 10 cm de las paredes. No utilice el aparato sobre una cama, sofá, alfombra o superficie similar que podría bloquear los orificios de ventilación. Este aparato no debe instalarse en librerías o estanterías empotradas si éstas no ofrecen la ventilación apropiada ni se cumplen las instrucciones del fabricante.

4. Agua y humedad – El aparato no deberá exponerse al goteo ni a las salpicaduras. Por ejemplo, no deberá colocarse cerca de una bañera, lavabo, fregadero de cocina o lavadora de ropas, ni tampoco en un sótano húmedo, cerca de una piscina, etc. No ponga ningún objeto que contenga líquido como, por ejemplo, un florero, encima del aparato.

5. Temperatura – El aparato quizá no funcione correctamente si se utiliza estando las temperaturas extremadamente bajas. La temperatura de funcionamiento ambiental es de más de +5°C.

6. Calor – El aparato debe colocarse lejos de fuentes de calor como por ejemplo, radiadores, estufas y otras unidades (incluyendo amplificadores) que produzcan calor. No ponga ningún objeto con llama como, por ejemplo, una vela o un farol encima del aparato.

7. Descargas eléctricas – Debe tenerse cuidado para que no caigan objetos sólidos ni líquidos al interior del aparato. Si un objeto metálico, una aguja u horquilla para el pelo por ejemplo, entrase en contacto con el interior del aparato podría producirse una peligrosa descarga eléctrica. Las familias con niños no deben permitir nunca que éstos pongan cosas, especialmente metálicas, en el interior del aparato.

8. Desmontaje de la tapa – Nunca retire la tapa. Si tocase accidentalmente las piezas interiores podría recibir una grave descarga eléctrica.

9. Limpieza – Desenchufe este aparato de la toma de corriente antes de limpiarlo. No utilice disolventes volátiles como por ejemplo, alcohol, diluyentes de pintura, gasolina, bencina, etc., para limpiar la caja. Utilice siempre un paño seco.

10. Rayos – Para mayor protección de este aparato durante una tormenta, o cuando se deje sin atender o no se utilice durante mucho tiempo, desenchufe el cable de alimentación de la toma de corriente y desconecte también el cable de la antena o el sistema de cableado. Esto evitará que se estropee el aparato debido a la tormenta y a las descargas eléctricas.

11. Olores extraños – Si notase olores extraños o humo, apague inmediatamente la alimentación y desenchufe el aparato de la toma de corriente. Luego, póngase en contacto con su concesionario o centro de reparaciones.

12. Daños que deben repararse – El aparato debe ser reparado por personal de servicio cualificado cuando:

- A.** El cable de la alimentación o el enchufe estén estropeados.
- B.** Hayan caído objetos o líquidos al interior del aparato.
- C.** El aparato haya quedado expuesto a la lluvia o al agua.
- D.** Parezca que el aparato no funciona correctamente siguiendo las instrucciones del manual. Ajuste sólo los controles indicados en el manual de instrucciones. El ajuste de otros controles podría estropear el aparato, lo que a menudo requiere un extenso trabajo por parte de un técnico cualificado para que vuelva a funcionar normalmente.
- E.** Haya caído el aparato o su caja haya sido estropeada.
- F.** El aparato muestra un cambio considerable en sus prestaciones.

13. Reparaciones – El usuario no debe tratar de reparar el aparato, a excepción de tomar las medidas descritas en el manual de instrucciones. Todas las demás reparaciones deberá realizarlas el personal de servicio cualificado.

14. Líneas de alimentación eléctrica – El sistema de antena exterior, de utilizar uno, no debe ponerse cerca de cables de alta tensión, luces eléctricas o circuitos de alimentación eléctrica, ni tampoco donde pueda caer sobre tales cables o circuitos. Cuando instale un sistema de antena exterior deberá poner muchísimo cuidado para que no toque cables o circuitos de alta tensión. El contacto con ellos podría ser fatal.


15. Tomas de CA – No conecte otro aparato de un consumo superior al especificado en las toma de CA del panel trasero. No conecte nunca otro aparato eléctrico, una plancha o un tostador por ejemplo, a este aparato para evitar incendios o descargas eléctricas.



16. Sobrecarga – No sobrecargue las tomas de corriente de la pared, cables de extensión o tomas de corriente integrales porque podría producirse un riesgo de incendio o una sacudida eléctrica.

17. Accesorios – No utilice accesorios que no hayan sido recomendados por el fabricante porque podrían ser un peligro.

18. Reemplazo de piezas – Cuando sea necesario reemplazar piezas, asegúrese de que el técnico de reparaciones utilice aquellas especificadas por el fabricante, u otras de las mismas características que las originales. Los reemplazos sin autorización podrían causar un incendio, sacudida eléctrica u otros peligros.

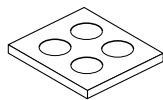
19. Comprobación de seguridad – Al terminar cualquier trabajo de mantenimiento o reparación en este aparato, pida al técnico de reparaciones que realice comprobaciones de seguridad para determinar si el aparato se encuentra en condiciones de funcionamiento apropiadas o no.

Precaución : Lea cuidadosamente las páginas con el símbolo de exclamación  para asegurar un funcionamiento seguro.

 Antes de encender el aparato	42
 Precauciones de seguridad	42
Introducción	42
 CUIDADOS IMPORTANTES	43
Instalación	44
Conexiones	45
Controles e indicadores	47
Especificaciones	48

Accesorios

Cable con clavija 1 Almohadilla 4 (1 hoja)

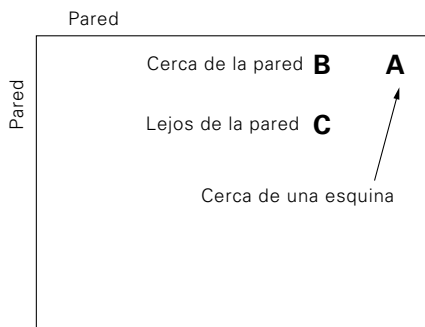


Fijación de los almohadilla

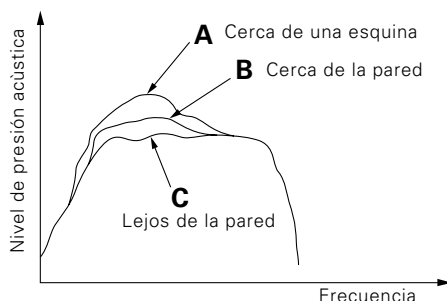
Fije los cuatro almohadillas a la base del subwoofer, uno en cada esquina. Los almohadillas evitan que el subwoofer se deslice y amortiguan su vibración.

Instalación

El subwoofer es un altavoz virtualmente omnidireccional, por lo que puede instalarse en cualquier parte. Por ejemplo, el subwoofer puede instalarse a continuación del sistema central (consistente en un amplificador, sintonizador, magnetófono, etc.), o en una esquina de la sala, bajo un escritorio, etc.. Las características de reproducción de ultr Graves del subwoofer son óptimas cuando el subwoofer se coloca en una esquina o cerca de una pared. Como el componente ultragave de la música es generalmente mono, sólo un subwoofer es necesario para obtener un efecto de campo de sonido suficiente cuando se utilice junto con un sistema estéreo.



Posición de instalación de los altavoces, vista desde arriba.



Aullido

Si el subwoofer se instala cerca de un giradiscos podría producirse un sonido de aullido. En este caso, separe el subwoofer del giradiscos o reduzca el volumen del subwoofer (girando el VOLUME hacia la izquierda). El aullido podría producirse también debido a la interferencia de cruce con un magnetófono, reproductor de discos compactos o reproductor de discos de vídeo, aunque esto es muy raro. Si el sonido o la imagen parece que se distorsionan por esta razón, separe el subwoofer de otros componentes o reduzca su volumen.

Operación cerca de un televisor

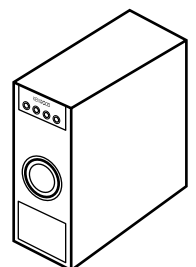
Si el Subwoofer se instala cerca de un televisor, la recepción del televisor se verá afectada y el color de la imagen no será adecuado. Si se observan irregularidades en el color de la pantalla del televisor, separe el Subwoofer del televisor hasta que su recepción sea normal.

Precaución

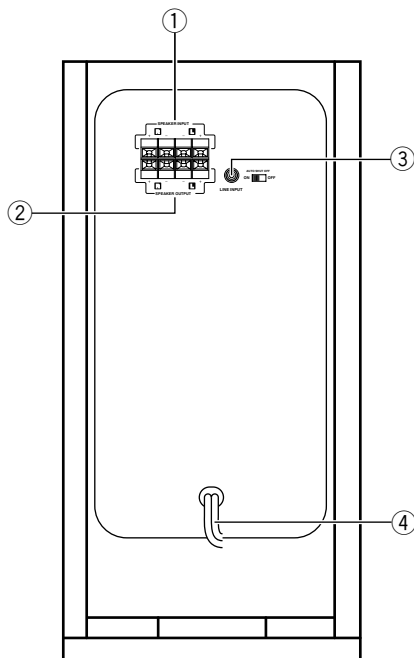
Para asegurar una buena ventilación, tenga en cuenta los puntos siguientes cuando instale la unidad.

- Deje una separación de más 10 cm entre el subwoofer detrás y la(s) pared(es) circundante(s). Tenga mucho cuidado para no tapan el sumidero térmico con una cortina, etc. cuando haga la instalación.
- Asegúrese de instalar verticalmente el subwoofer.

Instalación vertical



Antes de realizar las conexiones



PRECAUCIÓN

Ponga los conmutadores **POWER** del amplificador o receptor y del subwoofer en **OFF**. Si conecta los aparatos estando un interruptor (o interruptores) encendido (s), uno de los aparatos podría estropearse.

① Terminales SPEAKER INPUT

Conéctelos a los terminales de salida del altavoz de su amplificador o receptor.

② Terminales SPEAKER OUTPUT

Estos terminales transmiten la señal recibida de los terminales SPEAKER INPUT. Puede utilizarlos para enviar la señal a los altavoces delanteros.

③ Toma de entrada LINE INPUT

Esta toma se utilizan para conectar las tomas de salida de preamplificador de subwoofer del amplificador a este aparato.

④ Cable de alimentación

Al tomacorriente de CA

Puede conectar el subwoofer al amplificador o receptor de cualquiera de las maneras descritas abajo. Consulte la página indicada para obtener las instrucciones de conexión.

Si el amplificador o receptor incluye unos tomas SUBWOOFER PREOUT;

Realice la conexión utilizando este conector. Para obtener instrucciones sobre la conexión, consulte **"Conexión al tomas SUBWOOFER PREOUT del amplificador"**. → [46](#)

Si el amplificador o receptor no incluye unos tomas SUBWOOFER PREOUT;

En este caso, puede conectar los terminales de salida del altavoz al amplificador o receptor. Para obtener más instrucciones, consulte **"Conexión de los terminales de salida de altavoces del amplificador"**. → [46](#)

Notas:

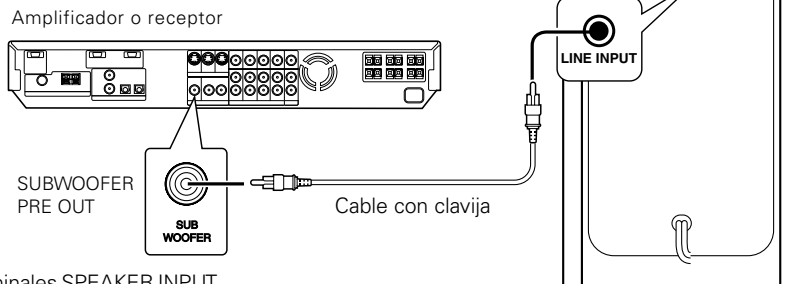
1. Asegúrese de conectar firmemente todos los cables. Las conexiones flojas pueden provocar distorsión o ruido.
2. Desenchufe siempre el cable de alimentación antes de conectar o desconectar los cables para evitar averías o daños en el equipo.
3. No deje nunca que los cables de altavoz (+) y (-) entren en contacto.
4. No invierta los lados izquierdo (L) y derecho (R) o (+) y (-) cuando realice las conexiones, ya que puede provocar un sonido poco natural y mal ubicado.
5. Lea la documentación que acompaña a los aparatos que está conectando para saber cómo debe realizar las conexiones.

Conexión al tomas **SUBWOOFER PREOUT** del amplificador

Utilizando el cable con clavija con conector macho que viene con subwoofer, conecte la toma **SUBWOOFER PREOUT** del amplificador o receptor a la toma **LINE INPUT** del subwoofer.

PRECAUCIÓN

Ponga los conmutadores **POWER** del amplificador o receptor y del subwoofer en **OFF**. Si conecta los aparatos estando un interruptor (o interruptores) encendido (s), uno de los aparatos podría estropearse.



Nota:

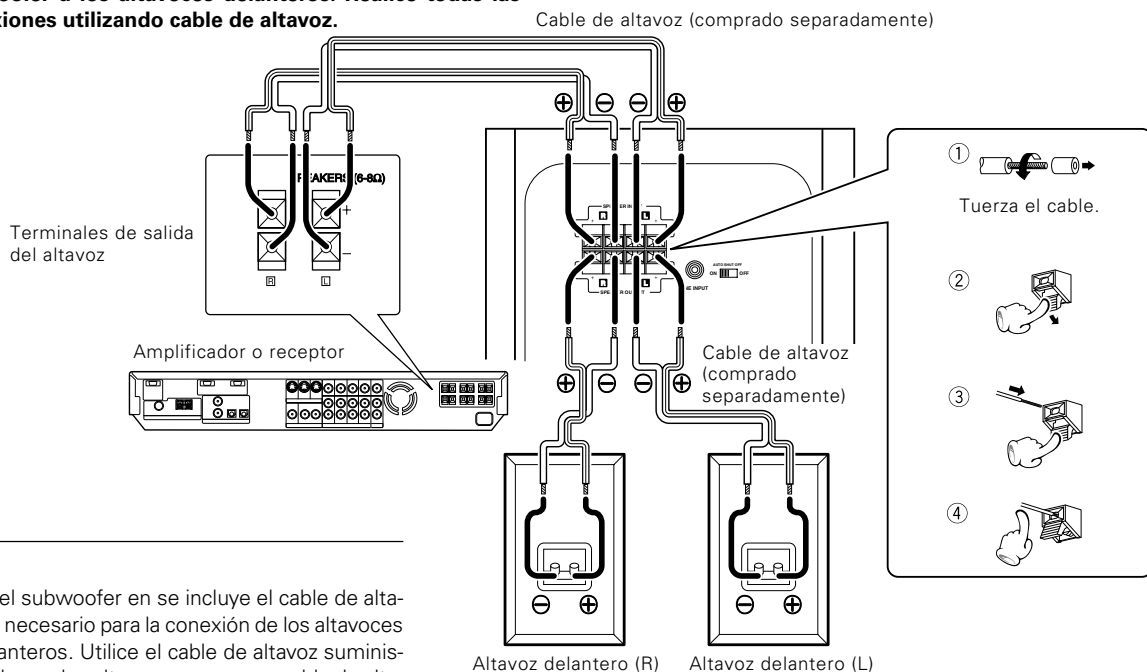
No utilice el toma **LINE INPUT** y los terminales **SPEAKER INPUT** en el mismo tiempo.

Conexión de los terminales de salida de altavoces del amplificador

Conecte los terminales **SPEAKER INPUT** del subwoofer a los terminales de salida de altavoces del amplificador o receptor. Conecte los terminales **SPEAKER OUTPUT** del subwoofer a los altavoces delanteros. Realice todas las conexiones utilizando cable de altavoz.

PRECAUCIÓN

Ponga los conmutadores **POWER** del amplificador o receptor y del subwoofer en **OFF**. Si conecta los aparatos estando un interruptor (o interruptores) encendido (s), uno de los aparatos podría estropearse.

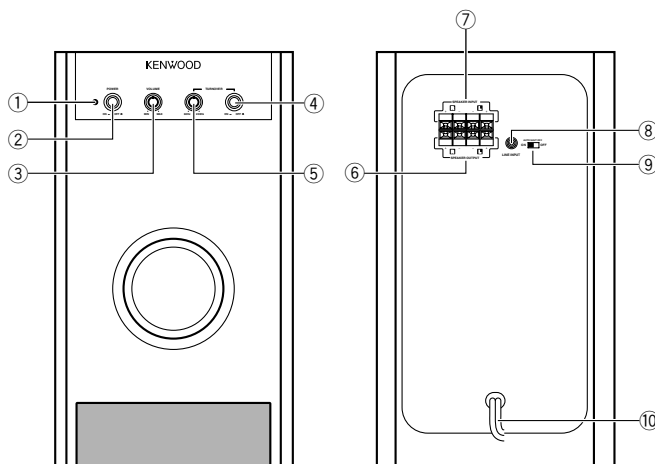


Note:

1. En el subwoofer se incluye el cable de altavoz necesario para la conexión de los altavoces delanteros. Utilice el cable de altavoz suministrado con los altavoces o compre cable de altavoz en una tienda de alta fidelidad.
2. Si su amplificador o receptor tiene dos pares de terminales de salida de altavoz, puede conectar los altavoces directamente al segundo de ellos (en lugar de conectarlos a los terminales **SPEAKER OUTPUT** del subwoofer).
3. No utilice el toma **LINE INPUT** y los terminales **SPEAKER INPUT** en el mismo tiempo.

PRECAUCIÓN

- Asegúrese de que la impedancia de los altavoces delanteros coincida con la impedancia indicada en su amplificador o receptor.
- Cuando conecte el adaptador suministrado al amplificador o receptor, no se olvide de conectar los terminales **+** a los terminales **+** y los terminales **-** a los terminales **-**. Si conecta un terminal **+** a un terminal **-** o viceversa, el amplificador o receptor podría estropearse.



① Indicador on/standby

Este indicador indica el modo de operación cuando se enciende en verde, y el modo de espera cuando se enciende en rojo.

② Interruptor POWER

Púselo para conectar/desconectar la alimentación del subwoofer.

③ Control VOLUME

Ajusta el nivel del volumen de la salida del subwoofer. Al girar el control hacia la derecha aumenta el nivel del volumen, y al girarlo hacia la izquierda, el nivel del volumen disminuye.

④ Conmutador TURNOVER

Ponga este conmutador en ON o en OFF según la señal de salida del amplificador o receptor que vaya a ser conectado con el subwoofer.

ON: Para ayudar al subwoofer a ofrecer su mejor rendimiento con una señal de nivel de línea o con una señal de salida de preamplificador de subwoofer convencional, esta posición corta los otros componentes que no son de baja frecuencia para que sólo se reproduzca el sonido grave a través del subwoofer.

OFF: Las señales de salida de subwoofer procedentes de estos amplificador o receptor están personalizadas para cortar de forma óptima otros componentes que no sean los de baja frecuencia necesarios según el modo de sonido actual utilizado. Cuando el subwoofer esté combinado con uno de estos amplificador o receptor, el conmutador TURNOVER deberá estar en OFF. En este caso, el subwoofer no aplicará la filtración eléctrica a la señal de entrada y la reproducirá fielmente a través del altavoz.

TURNOVER no funciona cuando el conmutador TURNOVER está en OFF.

⑤ Control TURNOVER

Gire este control para ajustar la frecuencia de corte de los componentes de alta frecuencia en la salida de sonido procedente del subwoofer.

Modo de alimentación en espera

Mientras el indicador de on/standby esté encendido en rojo, una pequeña cantidad de corriente al circuito interno del aparato. Esta condición recibe el nombre de modo de alimentación en espera del aparato.

Ejemplos de ajustes estándar según el tipo de altavoces delanteros

Altavoz delantero	TURNOVER frecuencia
Altavoz pequeño	120~200 Hz
Altavoz medio	80~120 Hz
Altavoz grande	60~80 Hz

Dependiendo de la condición de la sala de escucha y de las características de los altavoces delanteros, otros ajustes diferentes de los mostrados en los ejemplos de arriba pueden proporcionar un sonido grave más natural y una reproducción de graves más eficaz. Pruebe con varios ajustes para seleccionar el más apropiado a las condiciones de su sala de escucha.

TURNOVER no funciona cuando el conmutador TURNOVER está en OFF.

⑥ Terminales SPEAKER OUTPUT – 45

⑦ Terminales SPEAKER INPUT – 45

⑧ Toma de entrada LINE INPUT – 45

⑨ Interruptor AUTO SHUTOFF

Cambia modo del AUTO SHUTOFF ON y OFF.

ON: El subwoofer volverá automáticamente al modo de espera (luz roja) cuando no se haya introducido ninguna señal durante unos 10 minutos. Cuando la espera sea iniciada por la desconexión automática de la alimentación: El aparato se enciende (estado de operación) de nuevo pocos segundos después de introducir una señal.

⑩ Cable de alimentación – 45

Precaución relacionada con la operación

Un nivel de entrada excesivo al subwoofer podrá alterar la calidad del sonido o estropear la unidad. Por lo tanto, deberá poner mucha atención a las precauciones siguientes.

Notas:

- No aumente excesivamente la salida del amplificador o receptor mientras realiza el nivel de baja frecuencia con el control de tono o el control de sonoridad del amplificador o receptor.
- Cuando maneje los conmutadores del amplificador o receptor, o cuando ponga una aguja en un giradiscos, fije el nivel de volumen del amplificador o receptor al mínimo.

Especificaciones

Type Sistema de subwoofer con amplificador

[Amplificador]

Potencia dinámica 75 W + 75 W (6Ω)

Potencia de salida eficaz .. 60 W + 60 W RMS (100 Hz, 6Ω)

Sensibilidad de entrada e impedancia

LINE INPUT 230 mV (22 kΩ)

SPEAKER INPUT (1ch entrada) 2,0 V (6,5 kΩ)

Respuesta de frecuencia

TURNOVER ON 15 Hz ~ 200 Hz

TURNOVER OFF 15 Hz ~ 3,5 kHz

Consumo 100 W

[Altavoces]

Caja Bass-Reflex, ubicación vertical sobre el suelo

Altavoz Tipo cónico de 160 mm x 2

Impedancia nominal 6Ω

Dimensions

Ancho : 219 mm

Altura : 439 mm

Profundidad : 392 mm

Peso neto 14,5 kg

Notas:

1. KENWOOD sigue una política de continuos avances en el desarrollo de modelos. Por esta razón las especificaciones están sujetas a cambios sin previo aviso.
2. No podrá mostrarse un rendimiento suficiente en ubicaciones extremadamente frías (en donde el agua se congela).

Free Manuals Download Website

<http://myh66.com>

<http://usermanuals.us>

<http://www.somanuals.com>

<http://www.4manuals.cc>

<http://www.manual-lib.com>

<http://www.404manual.com>

<http://www.luxmanual.com>

<http://aubethermostatmanual.com>

Golf course search by state

<http://golfingnear.com>

Email search by domain

<http://emailbydomain.com>

Auto manuals search

<http://auto.somanuals.com>

TV manuals search

<http://tv.somanuals.com>