

# KSS-500 Home Theater Speaker Package Owner's Manual



## Introduction

Congratulations! The KSS-500 Home Theater Speaker Package will bring quality sound reproduction to your home theater system. Installing the speakers isn't difficult, but please read and follow all of the instructions on these pages (and in the manual that comes with the subwoofer) to get maximum performance from your new speakers.

If you're also connecting other equipment, such as a receiver, power amplifier, or pre-amplifier, use this manual in combination with the manuals that came with those components.

## Unpacking

In this box you should have:

- CFS-200 Front Speakers (1 Left and 1 Right)
- CFS-200 Center Speaker (1)
- RS-05 Surround Speakers (2)
- 8-ft lengths of speaker wire (5)

Your SW-200 Powered Subwoofer comes in a separate box.

About the speaker wire: If you need longer speaker wire, we suggest you buy wire that is 18-gauge or thicker. Remember, the smaller the number, the thicker the wire—so 18-gauge is thicker than 20-gauge.

Unpack the speakers carefully, and examine them for shipping damage. If they are damaged or fail to operate, notify your Kenwood dealer immediately. If they were shipped to you directly, notify the shipping company without delay. Only the person or company who originally received the speakers can file a claim against the carrier for shipping damage. Keep the original cartons and packing materials in case you need to transport or ship your speakers in the future.

KENWOOD

# Safety first

Please read these safety instructions carefully. They can help prevent electrical shock, fire, and damage to the unit.

## Safety symbols

We've placed these safety symbols on the back of electrically-powered



units to alert you to the danger of electrical shock. Do NOT remove the cover or back of the unit, because there are operating electrical parts inside that can cause electrical shock. If the unit needs servicing, take it to qualified service personnel—do NOT try to open the unit and service it yourself.

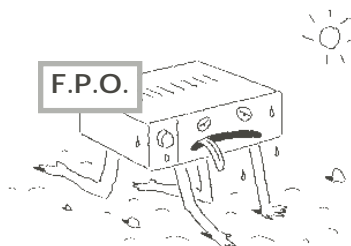
## Safety precautions

### For all units

- 1 Dispose of the packaging materials properly. After you take the unit out of its shipping bag, dispose of the bag, keeping it out of the reach of children and animals. Be aware that the bag could cause suffocation.

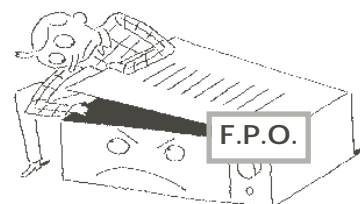


- 2 Protect your unit from moisture. Don't place your unit near water—for example, a bathtub, kitchen sink, laundry tub, wet basement, or near a swimming pool.

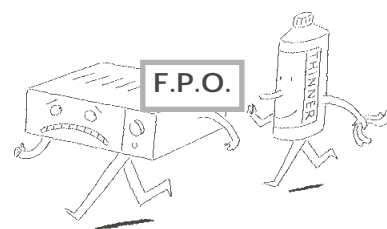


- 3 Keep your unit out of extreme hot and cold. Your unit may not work properly if it is used at extremely low or freezing

temperatures. Don't place your unit near radiators, heat registers, stoves, or other heat sources.



- 4 Don't put objects or liquids into the unit! NEVER permit children to put anything into the unit.
- 5 NEVER try to open the unit or take it apart.

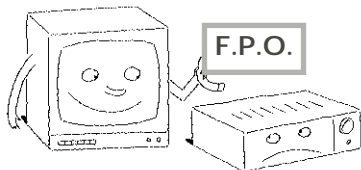


- 6 To clean, use a clean, dry cloth. To avoid damage, NEVER use volatile solvents such as alcohol, paint thinner, gasoline, benzene, and so on to clean the cabinet. If this is an electrically-powered unit, unplug it before cleaning.

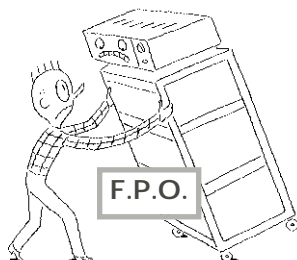
**7** Do NOT attempt to service this unit. You should take the unit to qualified service personnel for repair when:

- Objects have fallen, or liquids have been spilled into the unit.
- The unit has been exposed to moisture.
- The unit doesn't appear to operate normally or exhibits a marked change in performance.
- The unit has been dropped or the case has been damaged.

**8** To prevent distortion (and in some cases, discoloration of TV pictures), keep the unit away from sources of magnetic fields, such as TVs, radios, motorized toys, or magnetized objects. If the unit is magnetically-shielded (the manual will state this), it is not subject to these problems.

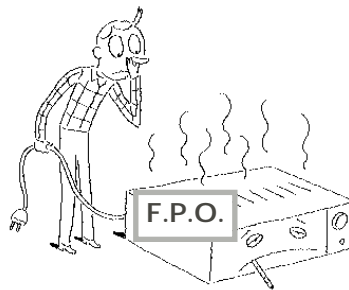


**9** Do NOT place the unit on an unstable cart, shelf, stand, tripod, bracket, or table. If you mount the unit, follow the instructions in the manual and, if appropriate, use a mounting bracket recommended for the unit. If you place the unit on a moveable cart, use caution when moving the cart to avoid overturning it.

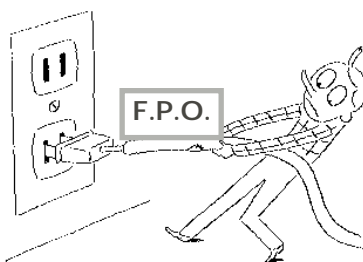


### Additional safeguards for electrically-powered units

**1** If you see smoke or smell anything unusual near your unit, turn OFF the entire system immediately, and unplug it from the wall. Then contact your Kenwood dealer or nearest service center.



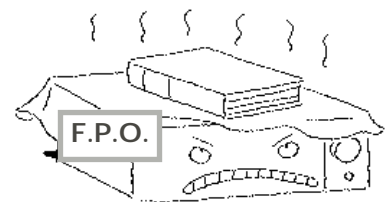
**2** Only connect the unit to a power supply that matches that described in the technical specifications in the back of the manual that came with it. If you are not sure of the type of power supply in your home, ask your Kenwood dealer or your local power company for help. To avoid the possibility of fire or electrical shock, do NOT overload the electrical outlet or any extension cords.



**3** Place the power supply cords in such a way that they will not be walked on or pinched by items placed against them. Never pull or stretch power cords, and use special care with the cords at the plugs, in a power outlet, and at the point they connect to the unit.

**4** Each unit is equipped with a polarized power plug (with one blade wider than the other) that only fits one way into an electrical outlet, as a safety feature. If you cannot fit the plug into your electrical outlet, try turning the plug over. If it still doesn't fit, you may need to have an electrician replace your outlet with a new one that is UL-approved.

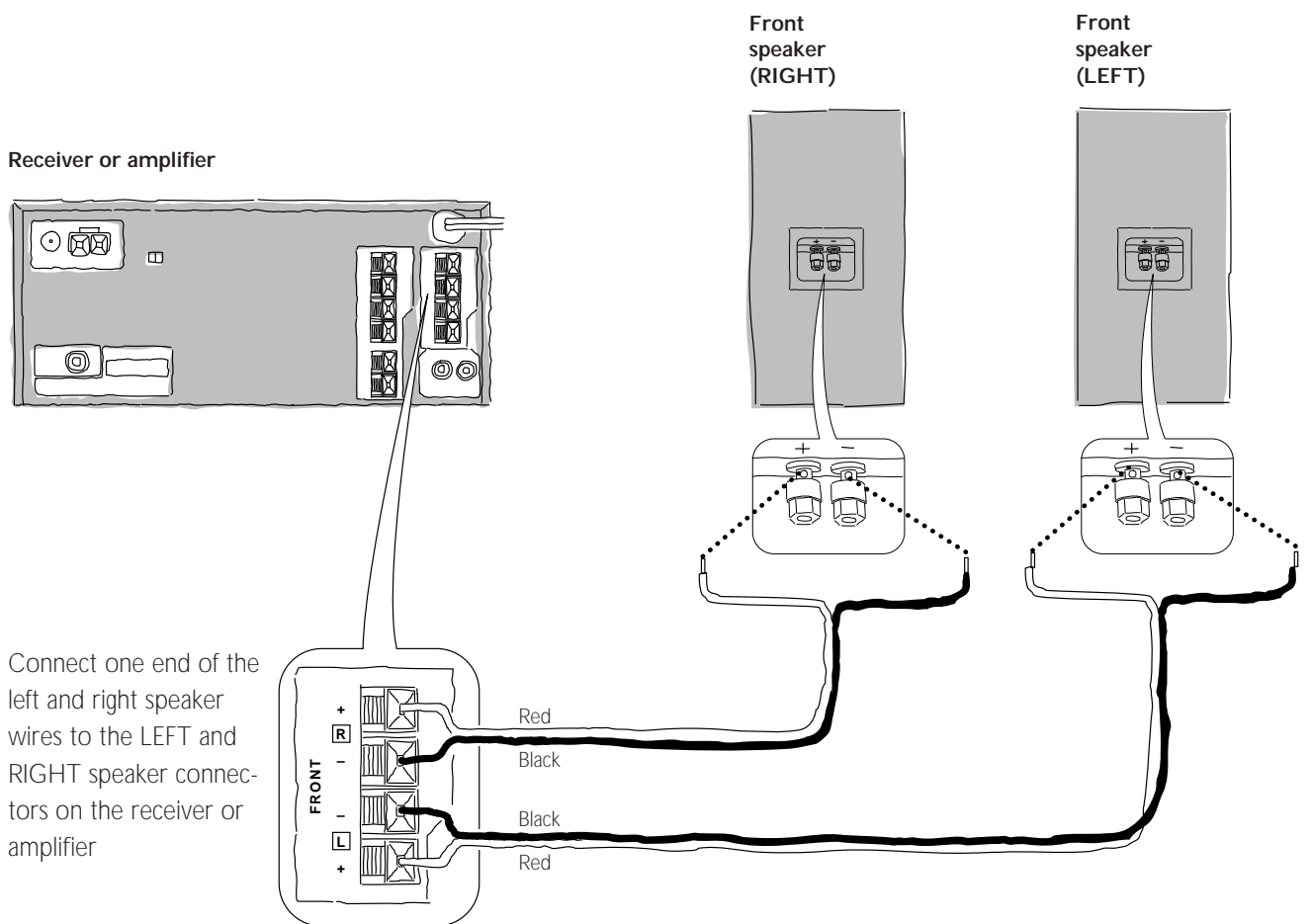
**5** Each unit has ventilation openings to keep it from overheating. Do NOT cover or block these openings. Place the unit at least 6 in from the wall so that it is properly ventilated.



**6** During lightning storms or when you leave the unit unattended and unused for long periods of time, unplug it from the wall outlet and any antenna or cable. This can prevent damage to the unit from lightning and power-line surges.

# Connecting the CFS-200 F to your audio system

If your receiver or amplifier has a subwoofer pre-amp output:



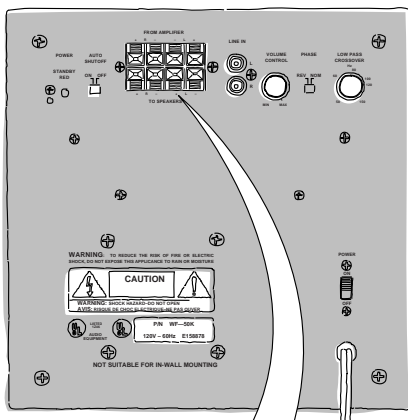
Connect the other end of the left and right speaker wires to the connectors on the left and right speakers. Make sure to connect the positive (+ or red) speaker terminal to the positive terminal on the receiver or amplifier.

NOTE: If your audio system has a separate pre-amplifier and power amplifier, connect the front speakers (left and right) to the power amplifier.

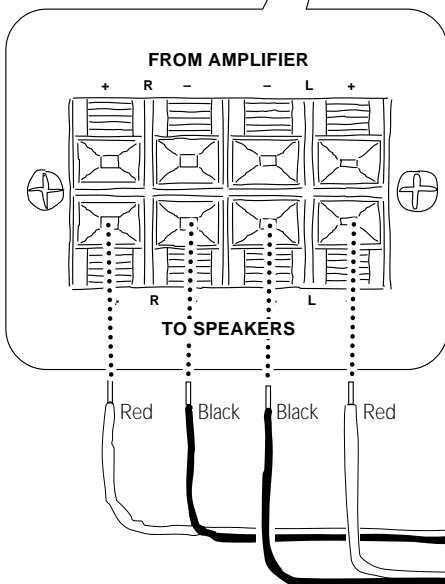
# Front Speakers

If your receiver or amplifier has  
no subwoofer pre-amp output:

## SW-200 Subwoofer



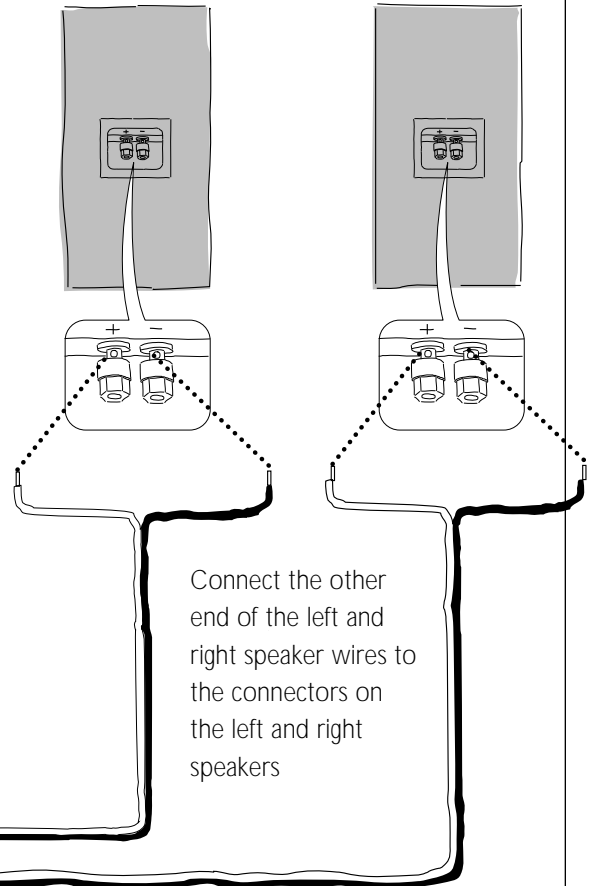
To connect the SW-200 to the receiver or amplifier, see the SW-200 Owner's Manual



Connect one end of the left and right speaker wires to the left and right TO SPEAKERS connector on the SW-200 Powered Subwoofer

Front speaker (RIGHT)

Front speaker (LEFT)



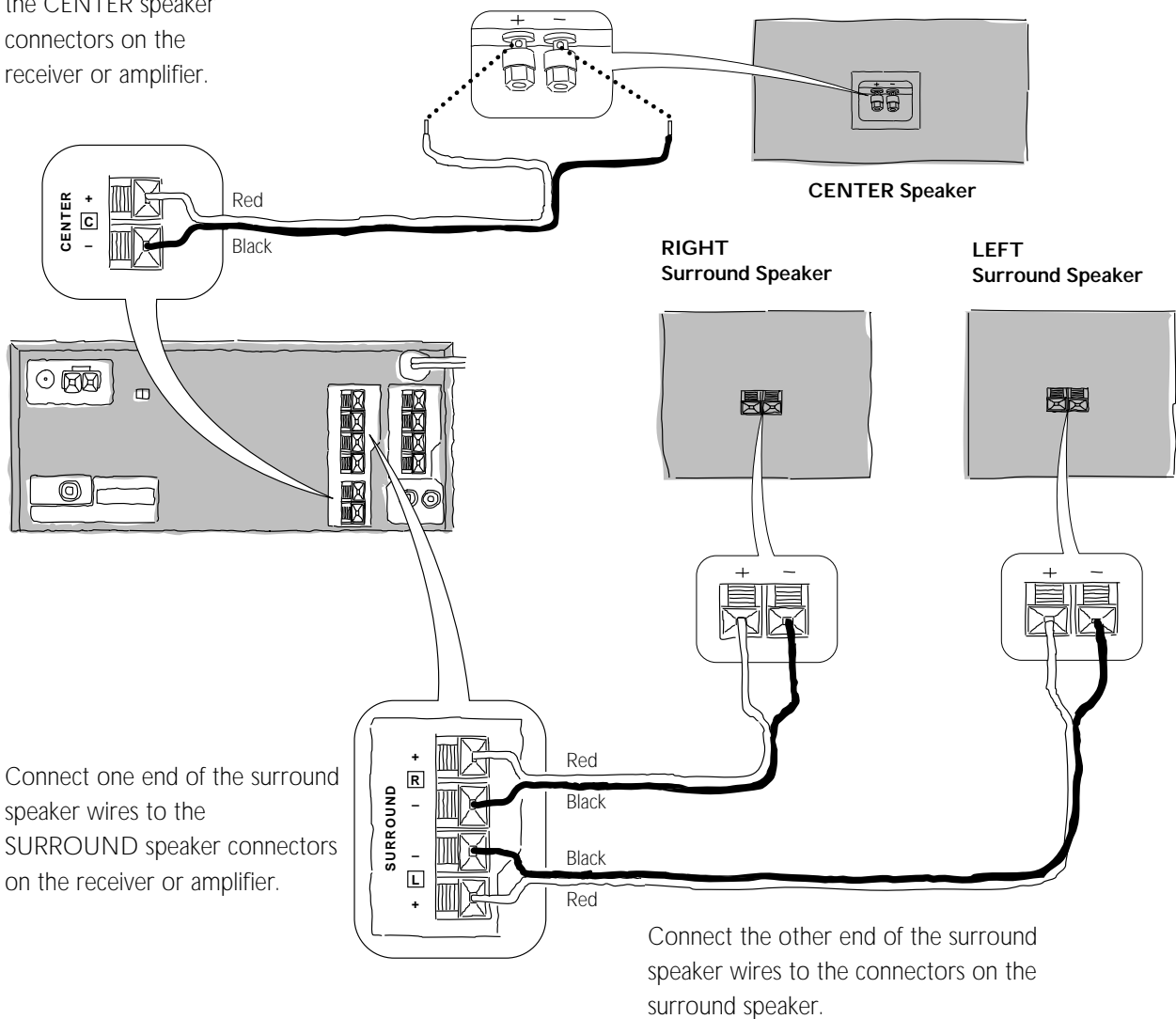
Connect the other end of the left and right speaker wires to the connectors on the left and right speakers

Caution: When connecting the speakers to the amplifier or subwoofer, be sure to always connect the positive ('+') terminals to each other, and the negative ('-') terminals to each other. Connecting the wrong terminals together could damage the amplifier or cause poor sound quality.

# Connecting the Center and Surround Speakers to your audio system

Connect one end of the center speaker wire to the CENTER speaker connectors on the receiver or amplifier.

Connect the other end of the center speaker wire to the connector on the center speaker.



Caution: When connecting the speakers to the amplifier or receiver, be sure to always connect the positive (+) terminals to each other, and the negative (-) terminals to each other. Connecting the wrong terminals together could damage the amplifier or cause poor sound quality.

## **Placing the CFS-200 Left and Right Speakers**

- Place the speakers to each side of your TV screen, near ear level.
- For the best stereo effect, place the speakers at least 2 ft from the side of the TV, but not so far from it that the 'size' of the sound image is much larger than the size of the TV picture image.
- To enhance the stereo effect (especially if they are more than 8 feet apart) angle each speaker slightly toward the listening area.
- For the smoothest match between the subwoofer and the left and right speakers, place the 3 of them in an imaginary straight line with each other.
- Since the front speakers are magnetically shielded, you can place them close to a TV without worrying about picture distortion.

## **Placing the CFS-200 Center speaker**

- Place the center speaker above or below the middle of the TV or video screen.
- Since the speaker is magnetically shielded, you can place it on top of a TV without worrying about picture discoloration.
- Make sure that the speaker is aimed directly toward the listeners at seated ear level. If you place it above or below ear level, tilt it down or up to aim it toward the listeners.
- Make sure the center speaker is as close as possible to the same height as the left and right speakers. Never place it so there is more than a 2 foot height difference between the center and the left and right speakers.

## **Placing the RS-05 Surround speakers**

- Place the surround speakers directly to the sides of the listening position, pointing at the listeners—this is where they work best.
- Mount the speakers at least 2 feet above the listeners' heads, with the back of the cabinet (the side with the speaker connector) flush against the wall. You can hang the speakers on the wall using ordinary picture hangers. The speakers can be oriented either vertically or horizontally.
- To set the speaker on a shelf, insert the supplied shelf-mount bracket into the holes on the rear of the speaker.
- If the listening area is more than 1 row deep, place the speakers halfway back along the sides of the listening area.

### Specifications: CFS-200 Front Speakers

Enclosure		Acoustic suspension
Driver units		5 " cone woofer 1 " dome tweeter
Power handling		70 watts
Frequency Response		60 Hz – 22 kHz
Nominal Impedance		8 ohms
Sensitivity (1 W/1 m)		86 dB
Crossover frequency		2 kHz
Dimensions (with grille)	Height:	10 <sup>5</sup> / <sub>8</sub> "
	Width:	6 <sup>1</sup> / <sub>4</sub> "
	Depth:	9 <sup>3</sup> / <sub>16</sub> "
Weight		8.8 lbs

### Specifications: CFS-200 Center Speaker

Enclosure		Vented
Driver units		5 " cone woofer 5 " passive radiator 1 " dome tweeter
Power handling		70 watts
Frequency Response		60 Hz – 22 kHz
Nominal Impedance		8 ohms
Sensitivity (1 W/1 m)		86 dB
Crossover frequency		2 kHz
Dimensions (with grille)	Height:	6 <sup>5</sup> / <sub>16</sub> "
	Width:	17 <sup>5</sup> / <sub>16</sub> "
	Depth:	7 <sup>7</sup> / <sub>8</sub> "
Weight		8.5 lbs

### Specifications: RS-05 Surround Speakers

Enclosure		Acoustic suspension
Driver units		4 " full-range
Power handling		40 watts
Frequency Response		80 Hz – 20 kHz
Nominal Impedance		8 ohms
Sensitivity (1 W/1 m)		90 dB
Dimensions	Height:	7 <sup>13</sup> / <sub>16</sub> "
	Width:	11 "
	Depth:	2 <sup>1</sup> / <sub>2</sub> "
Weight		2.6 lbs

KENWOOD USA CORPORATION  
PO Box 22745  
Long Beach, California 90801-5745

Printed on recycled paper using 10% post-consumer waste.





## Free Manuals Download Website

<http://myh66.com>

<http://usermanuals.us>

<http://www.somanuals.com>

<http://www.4manuals.cc>

<http://www.manual-lib.com>

<http://www.404manual.com>

<http://www.luxmanual.com>

<http://aubethermostatmanual.com>

Golf course search by state

<http://golfingnear.com>

Email search by domain

<http://emailbydomain.com>

Auto manuals search

<http://auto.somanuals.com>

TV manuals search

<http://tv.somanuals.com>