

KENWOOD

KAC-6203

STEREO/BRIDGEABLE POWER AMPLIFIER ▶ page 2-13

INSTRUCTION MANUAL

AMPLIFICATEUR DE PUISSANCE STEREO/COMPATIBLE ▶ page 14-25

MODE D'EMPLOI

STEREO-ÜBERBRÜCKBARER LEISTUNGSVERSTÄRKER ▶ Seite 26-37

BEDIENUNGSANLEITUNG

STEREO/OVERBRUGBARE VERMOGENSVERSTERKER ▶ blz 38-49

GEBRUIKSAANWIJZING

AMPLIFICATORE DI POTENZA STEREO/COLLEGABILE ▶ pagina 50-61

ISTRUZIONI PER L'USO

ESTÉRO/AMPLIFICADOR DE POTENCIA CONECTABLE ▶ página 62-73

MANUAL DE INSTRUCCIONES

AMPLIFICADOR DE POTÊNCIA ESTÉREO/EM PONTE ▶ página 74-85

MANUAL DE INSTRUÇÕES

Kenwood Corporation



CH 0 1

© B64-3355-00/00 (EV)

Safety precautions

▲ WARNING

To prevent injury or fire, take the following precautions:

- When extending the ignition, battery, or ground wires, make sure to use automotive-grade wires or other wires with a 5 mm² (AWG 10) or more to prevent wire deterioration and damage to the wire coating.
- To prevent a short circuit, never put or leave any metallic objects (such as coins or metal tools) inside the unit.
- If the unit starts to emit smoke or strange smells, turn off the power immediately and consult your Kenwood dealer.
- Do not touch the unit during use because the surface of the unit becomes hot and may cause burns if touched.

▲ CAUTION

To prevent damage to the machine, take the following precautions:

- Be sure the unit is connected to a 12V DC power supply with a negative ground connection.
- Do not open the top or bottom covers of the unit.
- Do not install the unit in a spot exposed to direct sunlight or excessive heat or humidity. Also avoid places with too much dust or the possibility of water splashing.
- When replacing a fuse, only use a new one with the prescribed rating. Using a fuse with the wrong rating may cause your unit to malfunction.
- To prevent a short circuit when replacing a fuse, first disconnect the wiring harness.

NOTE

- If you experience problems during installation, consult your Kenwood dealer.
- If the unit does not seem to be working right, consult your Kenwood dealer.

This product is not installed by the manufacturer of a vehicle on the production line, nor by the professional importer of a vehicle into an EU Member State.

Information on Disposal of Old Electrical and Electronic Equipment (applicable for EU countries that have adopted separate waste collection systems)



Products with the symbol (crossed-out wheeled bin) cannot be disposed as household waste.

Old electrical and electronic equipment should be recycled at a facility capable of handling these items and their waste byproducts. Contact your local authority for details in locating a recycle facility nearest to you. Proper recycling and waste disposal will help conserve resources whilst preventing detrimental effects on our health and the environment.

Cleaning the unit

If the front panel gets dirty, turn off the power and wipe the panel with a dry silicon cloth or soft cloth.

▲ CAUTION

Do not wipe the panel with a hard cloth or a cloth dampened by volatile solvents such as paint thinner and alcohol. They can scratch the surface of the panel and/or cause the indicator letters to peel off.

To prevent battery rise

When the unit is used in the ACC ON position without turning the engine ON, it depletes the battery. Use it after starting the engine.

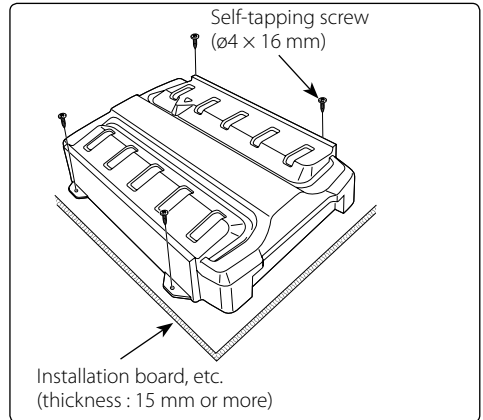
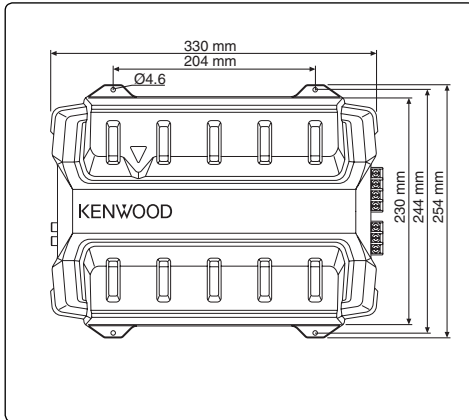
Protection function

There is a Protection function installed in the unit to protect the unit and speakers from various problems. When Protection operates, the indicator informs you of the condition. (Refer to page 5)

Accessories

Part name	External View	Number of Items
Self-tapping screws (ø4 × 16 mm)		4
Terminal cover (Power terminal)		1
Speaker level input cable		1

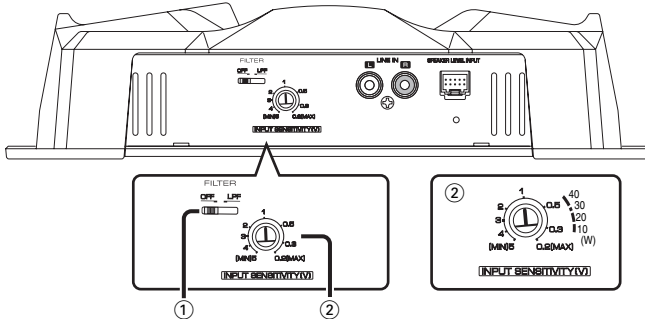
Installation



⚠ CAUTION

- Do not install in the below locations; (Unstable location, In a location that interferes with driving, In a location that gets wet, In a dusty location, In a place that gets hot, In a place that gets direct sunlight, In a location that gets hit by hot air)
- Do not install the unit under the carpet. Otherwise heat build-up occurs and the unit may be damaged.
- Install this unit in a location which allows heat to easily dissipate. Once installed, do not place any object on top of the unit.
- The surface temperature of the amplifier will become hot during use. Install the amplifier in a place where people, resins, and other substances that are sensitive to heat will not come into contact with it.
- When making a hole under a seat, inside the trunk, or somewhere else in the vehicle, check that there is nothing hazardous on the opposite side such as a gasoline tank, brake pipe, or wiring harness, and be careful not to cause scratches or other damage.
- Do not install near the dashboard, rear tray, or air bag safety parts.
- The installation to the vehicle should securely fasten the unit to a place in which it will not obstruct driving. If the unit comes off due to a shock and hits a person or safety part, it may cause injury or an accident.
- After installing the unit, check to make sure that electrical equipment such as the brake lamps, turn signal lamps and windshield wipers operate normally.

Controls / Indicator



① **FILTER switch**

This switch allow filtering of the speaker output signals.

• **OFF position:**

The original sound without filtering is output.

• **LPF (Low-Pass Filter) position:**

Only frequencies of 80 Hz or lower are output. (Frequencies above 80 Hz are cut.)

The speaker output is automatically turned monaural (L+R) and the bass boost function is activated.

② **INPUT SENSITIVITY control**

Set this control according to the pre-output level of the center unit connected with this unit, or to the maximum power output of the genuine-accessory car stereo.

Use the diagram on the right as a guide.

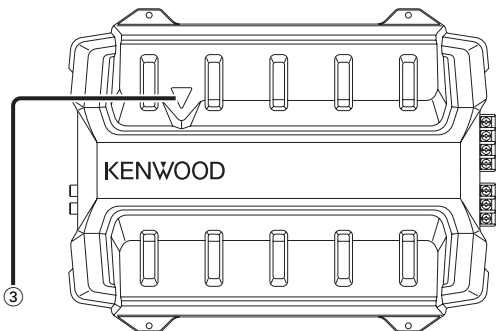
NOTE

For the pre-output level or the maximum power output, refer to the <Specifications> in the instruction manual of the center unit.

③ **Power indicator**

When the power is turned on, the Power indicator lights.

If the Power indicator does not light when the power is turned on, the protection function may be activated. Check whether there is any indication of trouble.



■ **The protection function is activated in the following situations:**

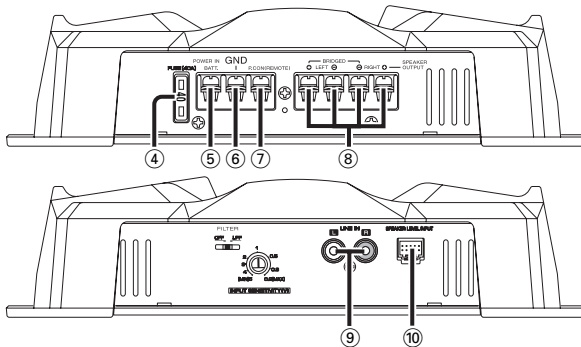
This unit is equipped with a protection function for protecting this unit and your speakers from various accidents or problems that can occur.

When the protection function is triggered, the Power indicator goes off and the amplifier stops operating.

- When a speaker wire may be short-circuited.
- When a speaker output contacts ground.
- When the unit malfunctions and a DC signal is sent to the speaker output.
- When the internal temperature is high and unit won't operate.
- When a ground wire of the center unit (cassette receiver, CD receiver, etc.) or this unit is not connected to a metal part serving as an electrical ground passing electricity to the battery's negative ⊖ terminal.

Connection

■ Terminal names



④ **Fuse (40 A)**

⑤ **Battery terminal**

⑥ **Ground terminal**

⑦ **Power control terminal**

Controls the unit ON/OFF.

NOTE

Controls the unit power. Be sure to connect it with all the systems.

⑧ **Speaker output terminals**

• Stereo Connections:

When you wish to use the unit as a stereo amplifier, stereo connections are used.

The speakers to be connected should have an impedance of 2Ω or greater. When multiple speakers are to be connected, ensure that the combined impedance is 2Ω or greater for each channel.

• Bridged Connections:

When you wish to use the unit as a high-output monaural amplifier, bridged connections are used. (Make connections to the LEFT channel \oplus and the RIGHT channel \ominus SPEAKER OUTPUT terminals.)

The speakers to be connected should have an impedance of 4Ω or greater. When multiple speakers are to be connected, ensure that the combined impedance is 4Ω or greater.

CAUTION

The rated input of the speakers should be no less than the maximum output of the amplifier. Otherwise malfunction may result.

⑨ **LINE IN terminal**

⑩ **Speaker level input terminals**

NOTE

- The genuine-accessory car stereo shall have a maximum power output of no more than 40 W.
- Do not connect the speaker output leads from a power amplifier (Optional) to the speaker level input terminals of this unit, for this may cause malfunction or damage.
- Do not connect cables and leads to both RCA cable input jacks and the speaker level input terminals simultaneously, for this may cause malfunction or damage.
- Connect the power control lead to a power supply which can be turned ON/OFF by the ignition key switch (ACC line). With this connection, shock noise may be generated when the power of the genuine-accessory car stereo is switched ON/OFF.

■ Installation procedure

Since there are large variety of settings and connections possible according to applications, read the instruction manual well to select the proper setting and connection.

1. Remove the ignition key and disconnect the negative \ominus terminal of the battery to prevent short circuits.
2. Set the unit according to the intended usage.
3. Connect the input and output wires of the units.
4. Connect the speaker wires.
5. Connect the power wire, power control wire and grounding wire following this order.
6. Install the unit in the car.
7. Connect the negative \ominus terminal of the battery.

▲ WARNING

To prevent fire caused by a short in the wiring, connect a fusible link or breaker nearby the battery's positive terminal.

▲ CAUTION

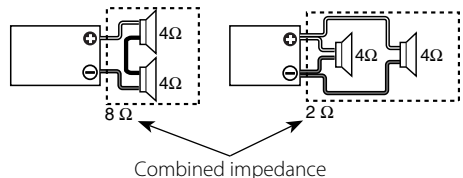
- If sound is not output normally, immediately turn power off and check connections.
- Be sure to turn the power off before changing the setting of any switch.
- If the fuse blows, check wires for shorts, then replace the fuse with one of the same rating.
- Check that no unconnected wires or connectors are touching the car body. Do not remove caps from unconnected wires or connectors to prevent short circuits.
- Connect the speaker wires to appropriate speaker connectors separately. Sharing the negative wire of the speaker or grounding speaker wires to the metal body of the car can cause this unit to fail.
- After installation, check that the brake lamps, wipers, and wipers work properly.

■ Wiring

- Take the battery wire for this unit directly from the battery. If it's connected to the vehicle's wiring harness, it can cause blown fuses etc.
- If a buzzing noise is heard from the speakers when the engine is running, connect a line noise filter (optional) to each of the battery wire.
- Do not allow the wire to directly contact the edge of the iron plate by using Grommets.
- Connect the ground wire to a metal part of the car chassis that acts as an electrical ground passing electricity to the battery's negative \ominus terminal. Do not turn the power on if the ground wire is not connected.
- Be sure to install a protective fuse in the power cord near the battery. The protective fuse should be the same capacity as the unit's fuse capacity or somewhat larger.
- For the power cord and ground, use a vehicle type (fireproof) power wiring cord with a current capacity greater than the unit's fuse capacity. (Use a power wiring cord with a diameter of 5 mm² (AWG 10) or greater.)
- When more than one power amplifier are going to be used, use a power supply wiring wire and protective fuse of greater current-handling capacity than the total maximum current drawn by each amplifier.

■ Speaker selection

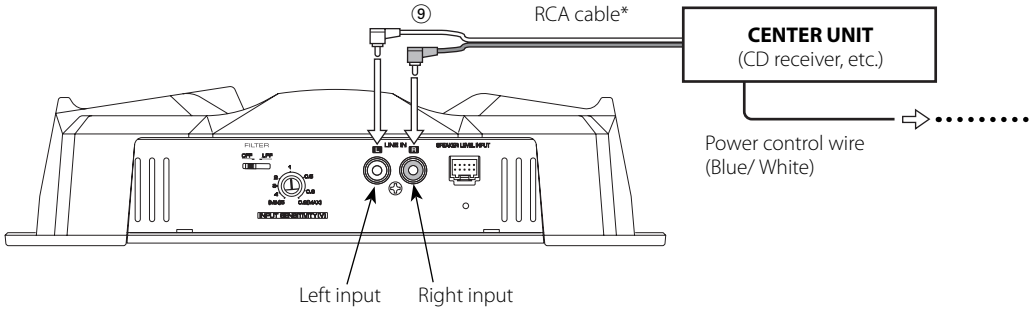
- The rated input power of the speakers that are going to be connected should be greater than the maximum output power (in Watts) of the amplifier. Use of speakers having input power ratings that are less than the output power of the amplifier will cause smoke to be emitted as well as damage.
- The impedance of the speakers that are going to be connected should be 2Ω or greater (for stereo connections), or 4Ω or greater (for bridged connections). When more than one set of speakers are going to be used, calculate the combined impedance of the speakers and then connect suitable speakers to the amplifier.



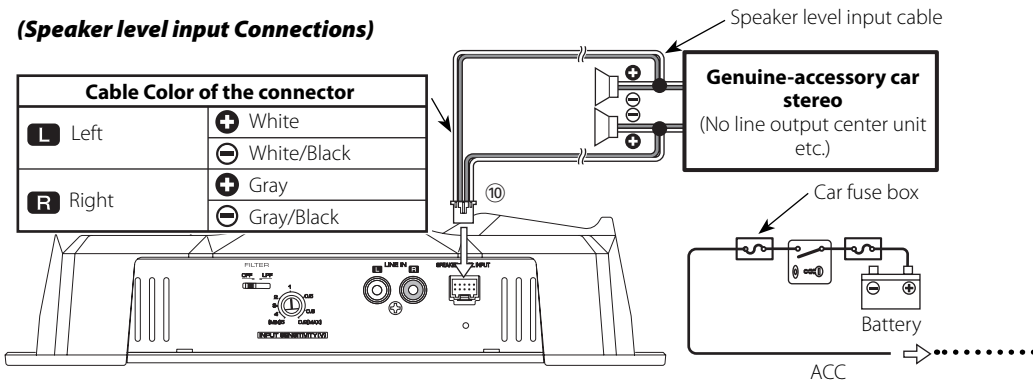
Connection

■ RCA cable or Speaker level input connection

(RCA cable Connections)

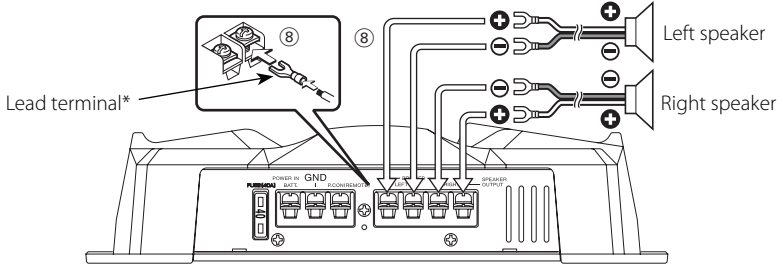


(Speaker level input Connections)

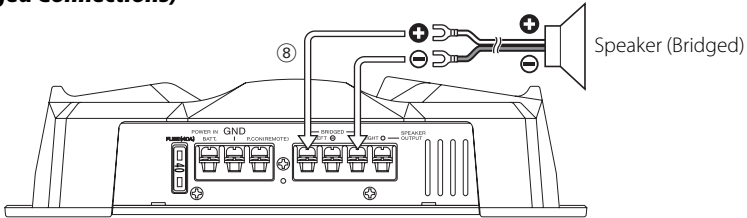


■ Speaker wire connection

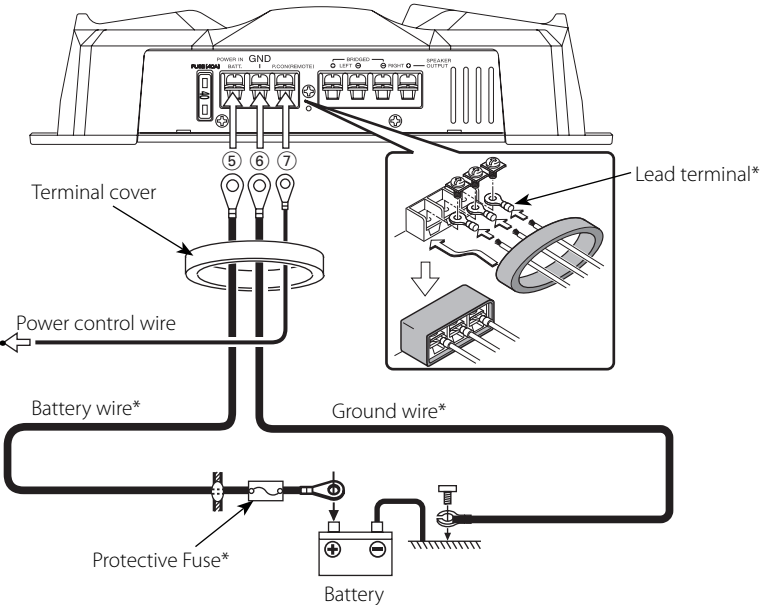
(Stereo Connections)



(Bridged Connections)

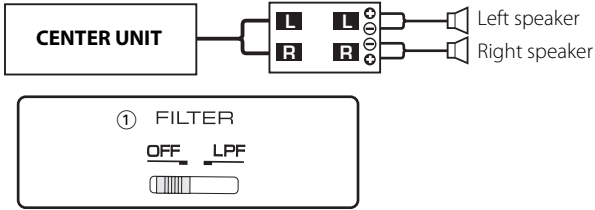


■ Power wire connection

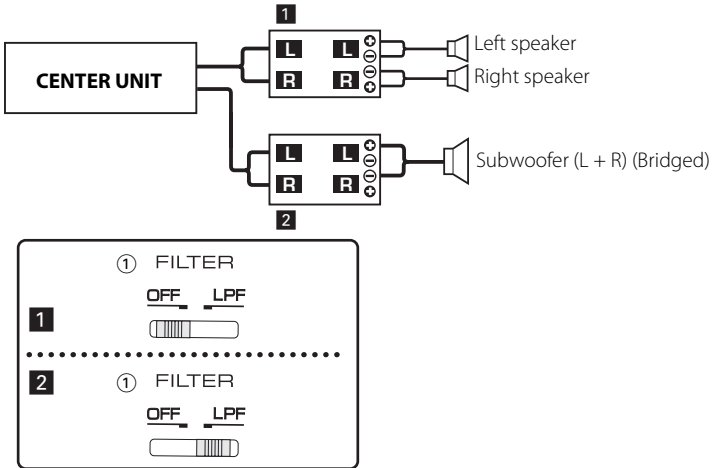


System examples

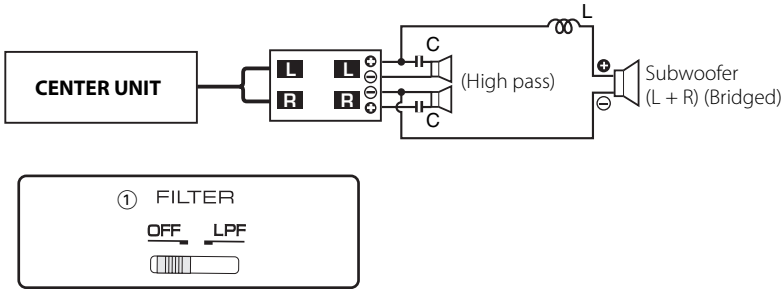
■ 2-channel system



■ 2-channel + Subwoofer system

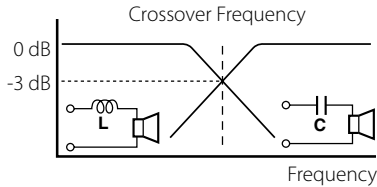


■ Tri-mode



● Principle of Tri-mode

Method of frequency band division using a coil and capacitor...in case of 6dB/oct. slope



Coil (L): Passes low frequencies and blocks high frequencies. (Low pass)

Capacitor (C): Passes high frequencies and blocks low frequencies. (High pass)

$$L = \frac{159 \times R}{f_c} \text{ (mH)}$$

f_c = Cut of Frequency (Hz)
 R = Speaker Impedance (Ω)

$$C = \frac{159000}{f_c \times R} \text{ (\mu F)}$$

● Example:

When it is required to set a crossover frequency of 120 Hz using speakers with an impedance of 4 ohms.

Prepare commercially-available coil and capacitor with the closest ratings to the results calculated from the formula above. The capacitor rating should be as close as possible to 331.25 (μ F) and the coil rating should be as close as possible to 5.3 (mH).

▲ CAUTION

- If you wish to bridge-connect a speaker, the speaker impedance must be no less than 4 ohms. Connecting a speaker with an impedance lower than 4 ohms may damage the unit.
- Be sure to connect capacitors to speakers to which high frequencies will be passed. Failure to do so will result in a drop of the combined impedance with the subwoofer.
- Ensure that the withstand voltage and current ratings of the capacitors (C) and coils (L) are sufficient.

Troubleshooting Guide

What might appear to be a malfunction in your unit may just be the result of slight misoperation or miswiring. Before calling service, first check the following table for possible problems.

PROBLEM	POSSIBLE CAUSE	SOLUTION
No sound. (No sound from one side.) (Blown fuse.)	<ul style="list-style-type: none"> • Input (or output) cables are disconnected. • Protection circuit may be activated. • Volume is too high. • The speaker cord is shorted. 	<ul style="list-style-type: none"> • Connect the input (or output) cables. • Check connections by referring to <Protection function>. • Replace the fuse and use lower volume. • After check the speaker cord and fixing the cause of the short, replace the fuse.
The output level is too small (or too large).	<ul style="list-style-type: none"> • The input sensitivity adjusting control is not set to the correct position. 	<ul style="list-style-type: none"> • Adjust the control correctly referring to <Controls>.
The sound quality is bad. (The sound is distorted.)	<ul style="list-style-type: none"> • The speakers wire are connected with wrong ⊕ / ⊖ polarity. • A speaker wire is pinched by a screw in the car body. • The switches may be set improperly. 	<ul style="list-style-type: none"> • Connect them properly checking the ⊕ / ⊖ of the terminals and wires well. • Connect the speaker wire again so that it is not pinched by anything. • Set switches properly by referring to <System examples>.

Specifications

Specifications subject to change without notice.

Audio Section

Max Power Output	600 W
Rated Power Output	
Normal (4 Ω) (DIN : 45324 , +B = 14.4V).....	100 W × 2
Normal (2 Ω) (1 kHz, 1 % THD).....	150 W × 2
Bridged (4 Ω) (1 kHz, 1 % THD).....	300 W × 1
Frequency Response (+0, -3 dB).....	10 Hz – 50 kHz
Sensitivity (rated output) (MAX.)	0.2 V
(MIN.)	5.0 V
Signal to Noise Ratio.....	100 dB
Input Impedance	10 kΩ
Low Pass Filter Frequency (12 dB/oct.)	80 Hz

General

Operating Voltage	14.4 V (11 – 16 V allowable)
Current Consumption	40 A
Dimensions (W × H × D)	330 × 60 × 230 mm
Weight	2.7 kg (6.0 lbs)

Précautions de sécurité

▲ AVERTISSEMENT

Pour éviter toute blessure et/ou incendie, veuillez prendre les précautions suivantes:

- Si vous prolongez un câble de batterie ou de masse, assurez vous d'utiliser un câble pour automobile ou un câble avec une section de 5 mm² (AWG 10) afin d'éviter tous risques de détérioration ou d'endommagement du revêtement des câbles.
- Pour éviter les court-circuits, ne jamais mettre ou laisser d'objets métalliques (comme une pièce de monnaie ou un outil en métal) à l'intérieur de l'appareil.
- Si l'appareil commence à émettre de la fumée ou une odeur bizarre, mettez immédiatement l'appareil hors tension et consultez un revendeur Kenwood.
- Ne pas toucher l'appareil quand il est en service car la température de sa surface est suffisamment élevée pour provoquer des brûlures.

▲ ATTENTION

Pour éviter tout dommage à l'appareil, veuillez prendre les précautions suivantes:

- Bien vérifier que l'appareil est raccordé à une source d'alimentation CC de 12 V avec raccordement de masse négative.
- N'ouvrez pas le couvercle supérieur ou inférieur de l'appareil.
- N'installez pas l'appareil dans un endroit exposé directement à la lumière du soleil, à une chaleur excessive ou à l'humidité. Evitez aussi les endroits trop poussiéreux et où l'appareil risque d'être élaboussé.
- Lors du remplacement d'un fusible, utilisez seulement un fusible neuf avec la valeur indiquée. L'utilisation d'un fusible d'une valeur différente peut être la cause d'un mauvais fonctionnement de votre appareil.
- Pour éviter les courts-circuits lors du remplacement d'un fusible, déconnectez d'abord le faisceau de câbles.

REMARQUE

- Si vous rencontrez des problèmes pendant l'installation, consultez votre revendeur Kenwood.
- Si l'appareil semble ne pas fonctionner correctement, consultez votre revendeur Kenwood.

Ce produit n'est pas installé par le constructeur d'un véhicule sur le site de production, ni par l'importateur professionnel d'un véhicule dans un Etat membre de l'UE.

Information sur l'élimination des anciens équipements électriques et électroniques (applicable dans les pays de l'Union Européenne qui ont adopté des systèmes de collecte sélective)



Les produits sur lesquels le pictogramme (poubelle barrée) est apposé ne peuvent pas être éliminés comme ordures ménagères.

Les anciens équipements électriques et électroniques doivent être recyclés sur des sites capables de traiter ces produits et leurs déchets. Contactez vos autorités locales pour connaître le site de recyclage le plus proche. Un recyclage adapté et l'élimination des déchets aideront à conserver les ressources et à nous préserver des leurs effets nocifs sur notre santé et sur l'environnement.

Nettoyage de l'appareil

Si la surface de l'appareil sale, l'essuyer avec un chiffon au silicone ou un chiffon doux et sec après avoir éteint l'appareil.

▲ ATTENTION

N'essayez pas le panneau avec un tissu rugueux ou imprégné de dissolvant volatil comme un diluant à peinture ou de l'alcool. Il pourrait rayer la surface du panneau et/ou écailler les lettres d'informations.

Comment éviter une élévation de la batterie

Lorsque l'unité est utilisée avec l'ACC sur ON, sans que le moteur ne soit allumé, cela décharge la batterie. Il est préférable de l'utiliser après avoir allumé le moteur.

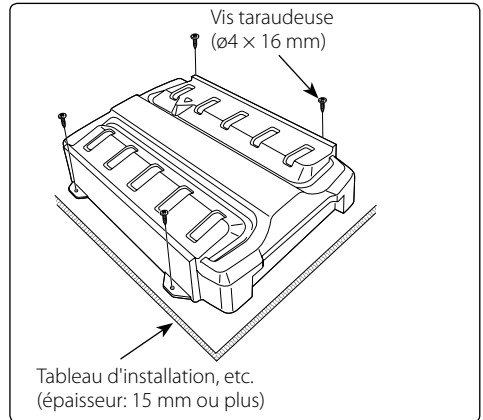
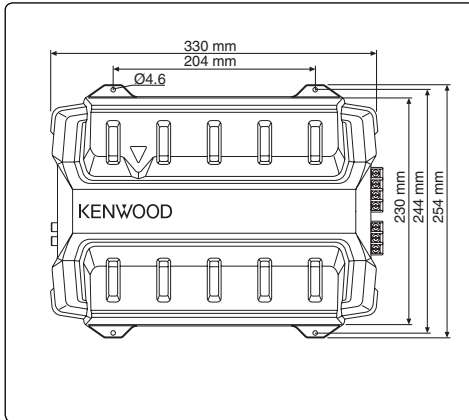
Fonction de protection

L'unité dispose d'une fonction de protection destinée à la protéger ainsi que les haut-parleurs, contre différents dysfonctionnements. Lorsque cette fonction est activée, vous en êtes informé par l'indicateur correspondant. (Cf. page 17)

Accessoires

Nom de la pièce	Vue extérieure	Quantité
Vis taraudeuses (ø4 x 16 mm)		4
Cache de bornier (Borne d'alimentation)		1
Câble d'entrée de niveau d'enceinte		1

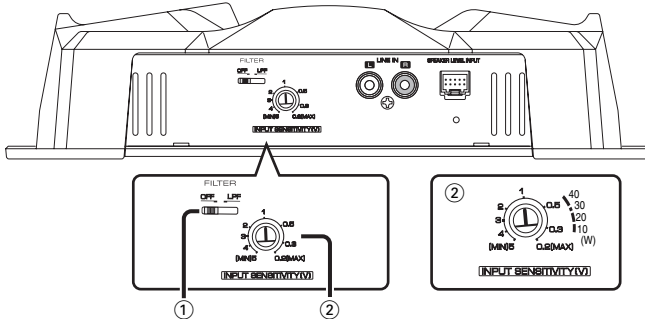
Installation



⚠ ATTENTION

- Ne pas procéder à l'installation de l'appareil si vous vous trouvez dans l'un des lieux suivants; (Lieu instable, Lieu où la conduite du véhicule peut être gênée, Lieu exposé à l'humidité, Lieu exposé à la poussière, Lieu surchauffé, Lieu exposé directement à la lumière du jour, Lieu exposé à l'air chaud)
- Ne pas recouvrir l'appareil d'une nappe, tapis, etc; la chaleur qui s'accumulerait risque d'endommager l'appareil.
- Installer cet appareil à un emplacement tel que la chaleur puisse se dissiper aisément. Après l'installation, ne placer aucun objet sur l'appareil.
- La surface de l'amplificateur va chauffer pendant l'utilisation. Installer l'amplificateur à un endroit où des passagers, de la résine ou d'autres substances sensibles à la chaleur n'entreront pas en contact avec lui.
- Lors du forage d'un trou sous le siège, à l'intérieur du coffre ou partout ailleurs dans le véhicule, vérifier s'il n'y a pas d'élément dangereux de l'autre côté, tel qu'un réservoir à carburant, une conduite de frein, une gaine de câbles, et faire attention de ne pas faire de griffes ou d'autres dégâts.
- Ne pas l'installer près du tableau de bord, de la plage arrière ou d'éléments de sécurité de l'airbag.
- Lors de l'installation dans un véhicule, l'appareil doit être fermement fixé à un endroit où il ne gênera pas la conduite. Si l'appareil se détache suite à un choc et heurte quelqu'un ou un élément de sécurité, il peut occasionner des blessures ou un accident.
- Après installation de l'appareil, s'assurer que les différents équipements électriques tels que lampes frein et les clignotants de direction fonctionnent normalement.

Contrôles / Indicateur



① **Commutateur FILTER**

Ce commutateur est destinés au filtrage des signaux de sortie des haut-parleurs.

• **Position OFF :**

Le son restituée est le son d'origine sans filtrage.

• **Position LFP (Filtre passe-bas):**

Seules des fréquences égales ou inférieures à 80Hz sont émises. (Les fréquences supérieures à 80Hz sont supprimées.)

La sortie vers les haut-parleurs devient monaurale (G+D) et le circuit d'accentuation des graves est mis en service.

② **Commande INPUT SENSITIVITY (sensibilité d'entrée)**

Régler cette commande en fonction du niveau de sortie du préampli de l'unité centrale ou du niveau de sortie maximum de l'autoradio stéréo d'origine. Reportez-vous au schéma ci-contre pour référence.

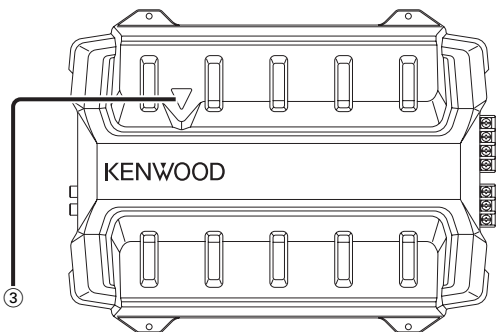
REMARQUE

A propos du niveau de sortie du préampli ou du niveau de puissance maximum, se reporter aux <Spécifications> du manuel d'instructions de l'unité centrale.

③ **Indicateur Power**

Lorsque l'alimentation est activée, l'indicateur POWER s'allume.

Si l'indicateur POWER ne s'allume pas lorsque l'alimentation est activée, la fonction de protection pourrait se déclencher. Vérifier s'il y a un problème.



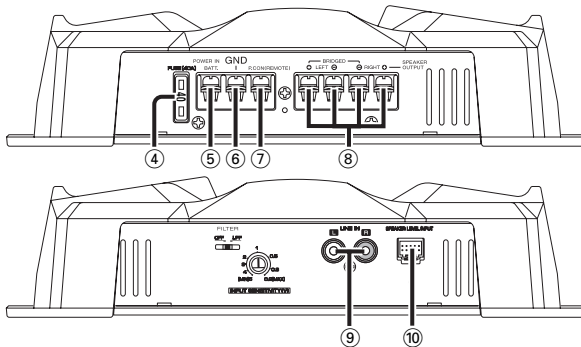
■ **La fonction de protection se met en service dans les cas suivants**

Cet appareil est pourvu d'une fonction de protection de l'appareil lui-même et des haut-parleurs de manière à éviter divers incidents. Lorsque la fonction de protection est déclenchée, l'indicateur POWER s'éteint et l'amplificateur s'arrête de fonctionner.

- Si un cordon de liaison aux haut-parleurs est en court-circuit.
- Une sortie de haut-parleur est mise à la masse.
- Une tension continue est appliquée sur les sorties vers les haut-parleurs en raison d'un défaut de fonctionnement de l'appareil.
- Lorsque la température interne est trop élevée et que l'appareil ne fonctionne pas.
- Lorsque le fil de masse de l'unité centrale (récepteur/lecteur de cassette, récepteur/lecteur de CD, etc.) ou le fil de masse de cet appareil n'est plus relié à une partie métallique du véhicule servant de masse électrique et permettant le passage du courant vers le pôle négatif \ominus de la batterie.

Raccordements

■ Noms des terminaux



④ Fusible (40A)

⑤ Borne BATT (alimentation)

⑥ Borne GND (masse)

⑦ Borne P.CON (fil de commande d'alimentation)

Commande l'unité ON/OFF.

REMARQUE

Commande l'unité d'alimentation. Assurez-vous de le connecter à l'ensemble des différents systèmes.

⑧ Bornes SPEAKER OUTPUT

• Connexions stéréo:

Pour utiliser l'appareil comme amplificateur stéréo, des connexions stéréo doivent être utilisées.

Les haut-parleurs à connecter doivent avoir une impédance de 2 ohms ou supérieure. Lorsque plusieurs haut-parleurs doivent être connectés, s'assurer que l'impédance combinée soit de 2 ohms ou supérieure pour chaque canal.

• Connexions en pont:

Pour l'utilisation de l'appareil comme amplificateur monophonique à haute puissance de sortie, des connexions en pont doivent être utilisées. (Faire les connexions aux bornes SPEAKER OUTPUT du canal gauche (LEFT) ⊕ et du canal droit (RIGHT) ⊖)

Les haut-parleurs à connecter doivent avoir une impédance de 4 ohms ou supérieure. Lorsque plusieurs haut-parleurs doivent être connectés, s'assurer que l'impédance combinée soit de 4 ohms ou supérieure.

⚠ ATTENTION

La puissance admissible par les haut-parleurs doit être au moins égale à la puissance de sortie de l'amplificateur. Dans le cas contraire, une anomalie de fonctionnement peut survenir.

⑨ Borne d'entrée de ligne (LINE IN)

⑩ Borne SPEAKER LEVEL INPUT

REMARQUE

- La puissance de sortie maximum de l'autoradio stéréo d'origine ne doit pas dépasser 40W.
- Ne raccorder pas les bornes de sortie de haut-parleur d'un amplificateur de puissance (Optionnel) aux bornes d'entrée de haut-parleur de cet appareil car ce dernier risquerait d'être endommagé ou de mal fonctionner.
- Ne pas raccorder des câbles ou conducteurs à la fois aux prises de sortie pour câble RCA et aux prises d'entrée de haut-parleur car l'appareil risquerait d'être endommagé ou de mal fonctionner.
- Raccorder le fil de commande de l'alimentation à un point d'alimentation mis sous et hors tension par la clé de contacteur du véhicule (ligne ACC). Avec ce type de raccordement, la mise sous/hors tension de l'autoradio stéréo d'origine peut produire un bruit parasite.

■ Procédure d'installation

Etant donné que le nombre de réglages et de raccordements est assez important, il importe de prendre pleinement connaissance du mode d'emploi.

1. Retirer la clé de contact et débrancher la borne négative \ominus de la batterie pour éviter les courts-circuits.
2. Régler l'appareil en fonction de l'utilisation désirée.
3. Raccorder les câbles d'entrée et de sortie de l'appareil.
4. Raccorder les câbles de haut-parleur.
5. Relier, dans l'ordre, le câble d'alimentation, le câble de commande d'alimentation et le câble de masse.
6. Mettre en place les accessoires d'installation sur l'unité.
7. Raccorder la borne négative \ominus de la batterie.

▲ AVERTISSEMENT

Pour éviter tout incendie dû à un court-circuit, insérer un fusible ou un coupe-circuit à proximité de la borne de la batterie.

▲ ATTENTION

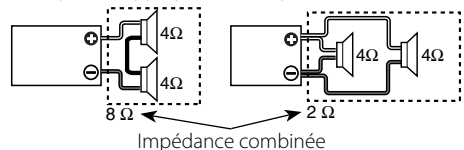
- En cas d'anomalie, mettre immédiatement l'appareil hors tension et vérifier tous les raccordements.
- Veiller à mettre l'appareil hors tension avant de changer la position des commutateurs.
- Si le fusible saute, vérifier si les câbles ne sont pas court-circuités, et remplacer le fusible par un autre fusible de même capacité nominale.
- Vérifier qu'aucun câble ou connecteur non raccordé ne touche la carrosserie de la voiture. Ne pas retirer les capuchons des câbles ou connecteurs non raccordés afin d'éviter tout court-circuit.
- Raccorder séparément les câbles de haut-parleur aux connecteurs de haut-parleur appropriés. La mise en commun du câble négatif d'un haut-parleur ou des fils de masse des haut-parleurs à la carrosserie métallique de la voiture pourrait rendre l'appareil inopérant.
- Après l'installation, vérifier que les voyants de frein, les clignotants et les essuie-glace fonctionnent correctement.

■ Câblage

- Pour cette unité, brancher le cordon de la batterie directement à la batterie. Si celui-ci est connecté à l'installation électrique du véhicule, l'installation peut disjoncter etc.
- Si un ronronnement se fait entendre dans les haut-parleurs lorsque le moteur tourne, fixer un filtre antiparasite de ligne (en option) au câble de la batterie.
- Utiliser un passe-câble de manière que le cordon ne soit pas en contact avec le tablier.
- Relier les fils de masse à une partie métallique du châssis du véhicule qui soit en mesure de jouer le rôle de masse électrique et donc de laisser passer le courant vers le pôle négatif \ominus de la batterie. Ne pas mettre l'appareil sous tension si les fils de masse ne sont pas reliés.
- Assurez-vous de mettre en place un fusible protégeant le cordon d'alimentation situé près de la batterie. Ce fusible doit avoir un pouvoir de coupure égal ou légèrement supérieur à celui de l'unité.
- En ce qui concerne le cordon d'alimentation et la terre, il est conseillé d'utiliser un cordon d'alimentation électrique pour voiture (inflammable) dont l'intensité sera supérieure au pouvoir de coupure du fusible de l'unité. (Utiliser un cordon d'alimentation d'un diamètre égal ou supérieur à 5 mm² (AWG 10).)
- Lorsque plus d'un amplificateur de puissance doivent être utilisés, utiliser un câble de câblage d'alimentation et un fusible de sécurité dont la limite de tension est supérieure au courant total maximum tiré par chaque amplificateur.

■ Sélection des haut-parleur

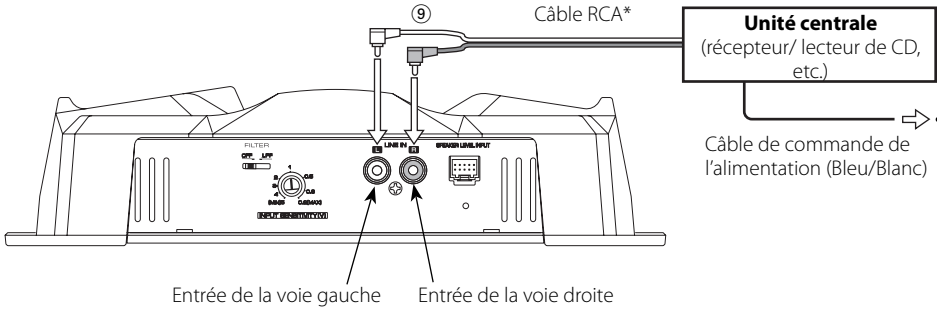
- La puissance d'entrée nominale des haut-parleur qui vont être connectées doit être supérieure à la puissance de sortie maximum (en Watts) de l'amplificateur. L'utilisation d'un haut-parleur dont la puissance d'entrée nominale est inférieure à la puissance de sortie de l'amplificateur entraînera l'émission de fumée, ainsi que des dommages.
- L'impédance des haut-parleur qui vont être connectées doit être de minimum 2Ω (pour des connexions stéréo) ou de minimum 4Ω (pour des connexions pontées). Lorsque plus d'un jeu d'high-parleur va être utilisé, calculer l'impédance combinée des haut-parleur et connecter ensuite les haut-parleur appropriées à l'amplificateur.



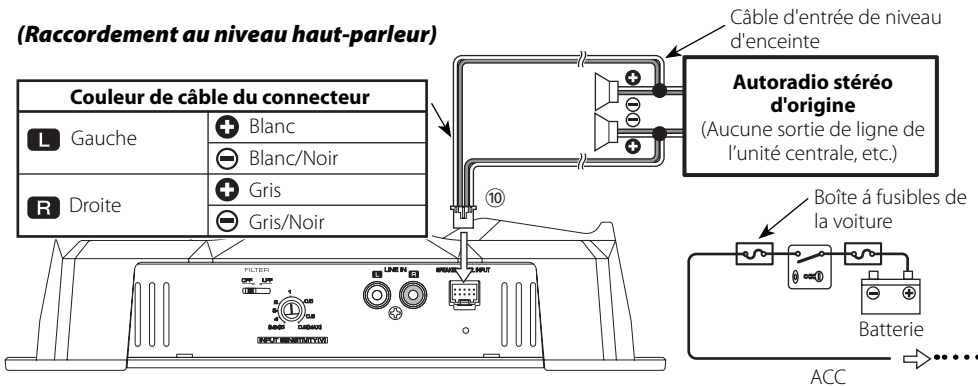
Raccordements

■ Câble RCA ou connexion d'entrée de niveau d'enceinte

(Raccordement d'un câble à fiche Cinch (RCA))

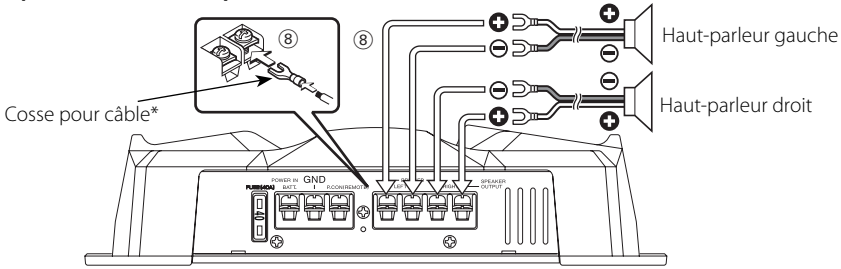


(Raccordement au niveau haut-parleur)

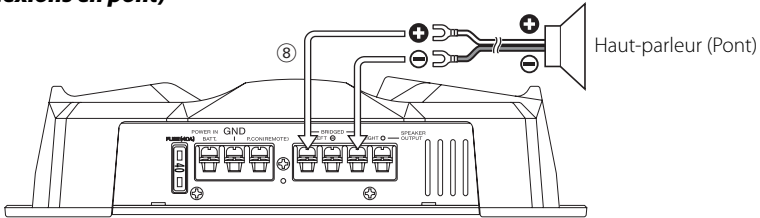


■ Connexion des câbles d'haut-parleur

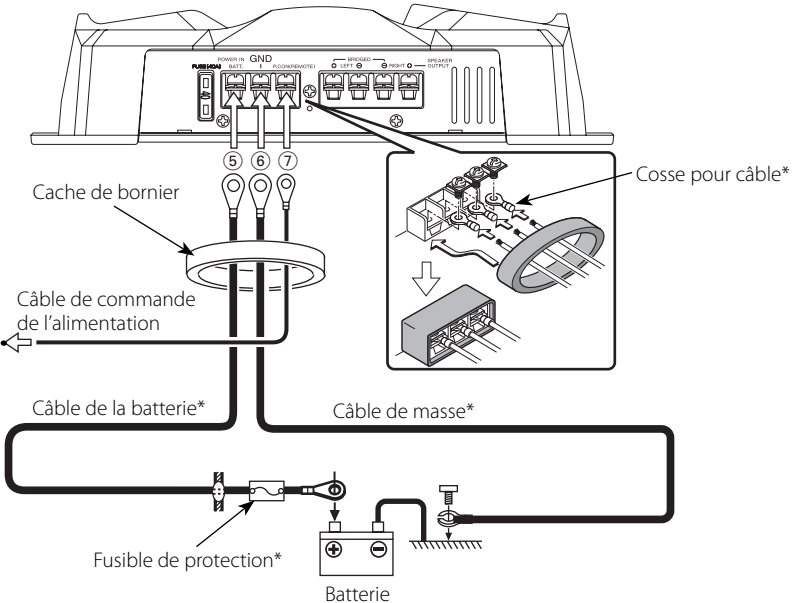
(Connexions stéréo)



(Connexions en pont)

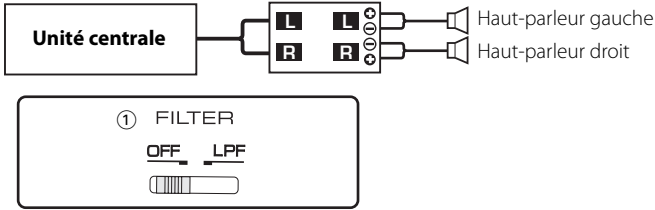


■ Connexion du câble d'alimentation

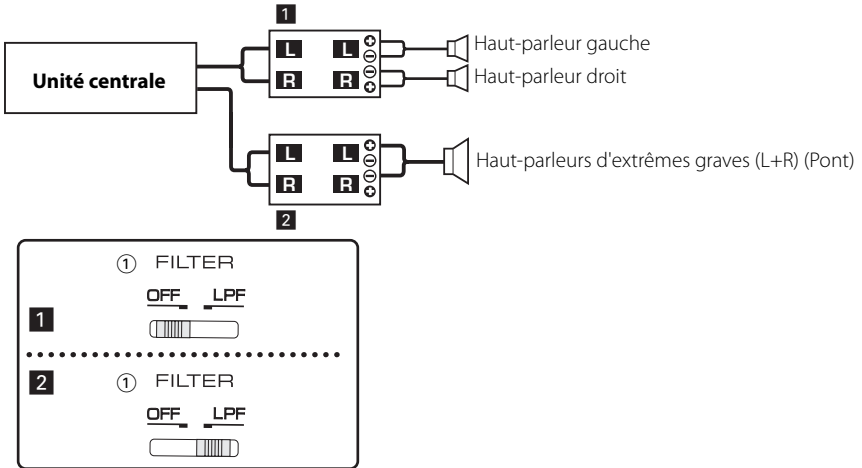


Exemple de configuration

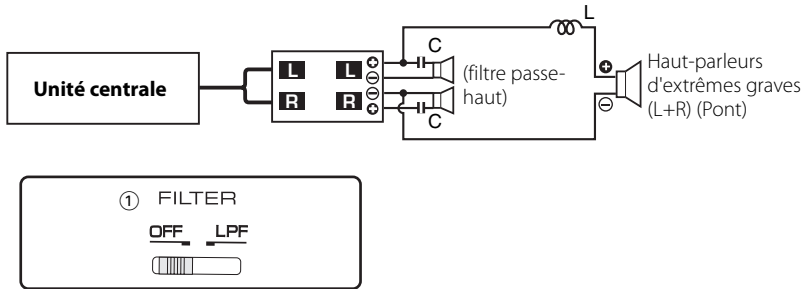
■ Système 2 voies



■ Système 2 voies + enceinte d'extrêmes graves

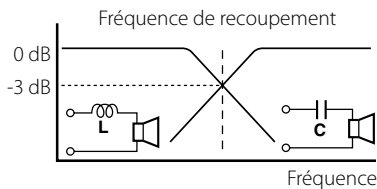


■ Le Tri-mode



● Principe du Tri-mode

Méthode de division de la bande des basses fréquences au moyen d'une bobine et d'un condensateur ... dans le cas d'une pente de 6dB/oct.



Self (L) : Elle laisse passer les fréquences graves mais bloque les fréquences aiguës. (filtre passe-bas)

Condensateur (C) : Il laisse passer les fréquences aiguës mais bloque les fréquences graves. (filtre passe-haut)

$$L = \frac{159 \times R}{f_c} \text{ (mH)}$$

$$C = \frac{159000}{f_c \times R} \text{ (\mu F)}$$

f_c = Fréquence de recoupement (Hz)

R = Impédance du haut-parleur (Ω)

● Exemple:

Cas où il faut établir la fréquence de transition à 120 Hz en utilisant des haut-parleurs ayant une impédance de 4 ohms.

Se procurer dans le commerce la bobine et le condensateur présentant des caractéristiques aussi proches que possible des valeurs calculées. Dans ce cas, la condensateur doit avoir une capacité aussi proche que possible de 331,25 (μ F), et le bobine une capacité aussi proche que possible de 5,3 (mH).

▲ ATTENTION

- Si l'on désire connecter en pont un haut-parleur, l'impédance du haut-parleur ne devra pas être inférieure à 4 ohms. Le branchement d'un haut-parleur dont l'impédance est inférieure à 4 Ohms peut endommager l'appareil.
- S'assurer de connecter des condensateurs aux haut-parleur qui recevront des hautes fréquences. Sinon, une diminution de l'impédance combinée avec le subwoofer va se produire.
- Vérifier si la tension de tenue et les données limites de courant des condensateurs (C) et bobines (L) sont suffisantes.

Guide de dépannage

Ce qui peut apparaître comme un mauvais fonctionnement de votre appareil n'est peut être que le résultat d'une mauvaise opération ou d'une mauvaise connexion. Avant d'appeler un centre de service, vérifiez d'abord dans le tableau suivant les problèmes possibles.

PROBLEME	CAUSE POSSIBLE	SOLUTION
Absence de sons. (Pas de son d'un côté) (Fusible grillé)	<ul style="list-style-type: none">• Les câbles d'entrée (ou de sortie) sont débranchés.• Le circuit de protection peut être actionné.• Le volume est trop fort.• Les fils de raccordement d'enceinte sont en court-circuit.	<ul style="list-style-type: none">• Brancher les câbles d'entrée (ou de sortie).• Vérifier les raccordements en se reportant au paragraphe <Fonction de protection>.• Remplacez le fusible et utilisez un niveau de volume plus faible.• Après avoir vérifié le câble d'enceinte et réparé la cause du court-circuit, remplacez le fusible.
Niveau de sortie trop faible (ou trop fort).	<ul style="list-style-type: none">• La commande de réglage de la sensibilité d'entrée n'est pas amenée sur la bonne position.	<ul style="list-style-type: none">• Faire le réglage correctement en se reportant aux indications données en <Contrôles>.
La qualité sonore est mauvaise. (Le son est distordu.)	<ul style="list-style-type: none">• Les câbles de haut-parleur ont été raccordés en inversant la polarité ⊕ / ⊖.• Un câble de haut-parleur est pincé par une vis dans le châssis de la voiture.• Les commutateurs ne sont peut-être pas positionnés comme il convient.	<ul style="list-style-type: none">• Raccorder correctement en respectant les indications ⊕ et ⊖ des bornes et des câbles.• Rebrancher le câble de haut-parleur en évitant tout pincement• Positionner les commutateurs en tenant compte des indications fournies aux paragraphes <Exemples de système>.

Spécifications

Les spécifications sont sujettes à changements sans notification.

Section audio

Puissance de sortie max.	600 W
Puissance de sortie nominale	
Normal (4 Ω) (DIN : 45324 , +B = 14,4V).....	100 W × 2
Normal (2 Ω) (1 kHz, 1 % THD).....	150 W × 2
En pont (4 Ω) (1 kHz, 1 % THD).....	300 W × 1
Réponse en fréquence (+0, -3 dB).....	10 Hz - 50 kHz
Sensibilité (puissance nominale) (MAX.)	0,2 V
(MIN.)	5,0 V
Taux de Signal/Bruit.....	100 dB
Impédance d'entrée	10 kΩ
Fréquence du filtre passe-bas (12 dB/oct.).....	80 Hz

Général

Tension de fonctionnement	14,4 V (11 - 16V admissible)
Courant absorbé	40 A
Taille d'installation (L × H × P)	330 × 60 × 230 mm
Masse	2,7 kg (6,0 lbs)

Sicherheitsmaßregeln

▲ WARNUNG

Zur Vermeidung von Bränden und Verletzungen beachten Sie bitte die folgenden Hinweise:

- Verwenden Sie bei Verlegung des Batterie- und Massekabels besonders strapazierfähige und speziell für die Installation im Auto angebotene Kabel mit einem Leitungsquerschnitt von mindestens 5 mm² (AWG 10).
- Stellen Sie sicher, daß keine Metallgegenstände (Münzen, Nadeln, Werkzeuge etc.) ins Innere des Geräts gelangen und Kurzschlüsse verursachen.
- Schalten Sie das Gerät bei Geruch- oder Rauchentwicklung sofort aus und suchen Sie einen Kenwood-Fachhändler auf.
- Das Gerät während des Betriebs nicht berühren weil es sehr heiß wird und Verbrennungen verursachen kann.

▲ ACHTUNG

Bitte beachten Sie folgende Vorsichtsmaßnahmen, damit Ihr Gerät stets einwandfrei funktioniert:

- Betreiben Sie das Gerät ausschließlich mit 12-Volt-Gleichstrom und negativer Masseverbindung.
- Entfernen Sie nicht die oberen oder unteren Gehäuseabdeckungen.
- Schützen Sie das Gerät vor direkter Sonneneinstrahlung, zu hohen Temperaturen, Feuchtigkeit, Spritzwasser und Staub.
- Achten Sie beim Austauschen einer Sicherung darauf, daß der Wert der Sicherung mit den Angaben am Gerät übereinstimmt. Sicherungen mit einem falschen Wert können Fehlfunktionen verursachen oder zur Beschädigung des Geräts führen.
- Unterbrechen Sie vor dem Austauschen einer Sicherung zunächst die Kabelverbindungen, um Kurzschlüsse zu verhindern.

ANMERKUNGEN

- Sollten Sie Probleme bei der Installation des Geräts haben, lassen Sie sich von Ihrem Kenwood-Fachhändler beraten.
- Sollte das Gerät nicht einwandfrei funktionieren, dann wenden Sie sich bitte an Ihren Kenwood Händler.

Reinigung

Schalten Sie das Gerät aus und reinigen Sie das Gehäuse mit einem weichen und trockenen oder mit einem mit neutralem Reinigungsmittel befeuchteten Tuch.

▲ ACHTUNG

Verwenden Sie keine rauen Lappen und Verdüner, Alkohol oder andere flüchtige Lösungsmittel. Diese Chemikalien können die Oberfläche zerstören und Beschädigungen am Gerät auflösen.

Um ein Ansteigen des Batterieverbrauchs zu verhindern

Wenn das Gerät in der Position ACC ON verwendet wird, ohne dass der Motor EIN ist, wird die Batterie schneller verbraucht. Verwenden Sie es, nachdem Sie den Motor gestartet haben.

26 Deutsch

Dieses Produkt wird weder vom Hersteller eines Fahrzeugs während der Produktion noch von einem professionellen Importeur eines Fahrzeugs in einen EU-Mitgliedsstaat eingebaut.

Entsorgung von gebrauchten elektrischen und elektronischen Geräten (anzuwenden in den Ländern der Europäischen Union und anderen europäischen Ländern mit einem separaten Sammelsystem für solche Geräte)



Das Symbol (durchgestrichene Mülltonne) auf dem Produkt oder seiner Verpackung weist darauf hin, dass dieses Produkt nicht als normaler Haushaltsabfall behandelt werden darf, sondern an einer Annahmestelle für das Recycling von elektrischen und elektronischen Geräten abgegeben werden muss. Durch Ihren Beitrag zur korrekten Entsorgung dieses Produktes schützen Sie die Umwelt und die Gesundheit Ihrer Mitmenschen. Unsachgemäße oder falsche Entsorgung gefährden Umwelt und Gesundheit. Weitere Informationen über das Recycling dieses Produktes erhalten Sie von Ihrer Gemeinde oder den kommunalen Entsorgungsbetrieben.

Hinweis zur Entsorgung der Batterien :



Verbrauchte Batterien dürfen nach der Batterieverordnung nicht mehr mit dem Hausmüll entsorgt werden. Kenwood beteiligt sich daher am „Gemeinsamen Rücknahmesystem Batterien“ (GRS Batterien).

Werfen Sie verbrauchte Batterien unentgeltlich in die beim Handel aufgestellten Sammelbehälter. Auch bei Ihrem Fachhändler finden Sie einen Sammelbehälter für verbrauchte Batterien.

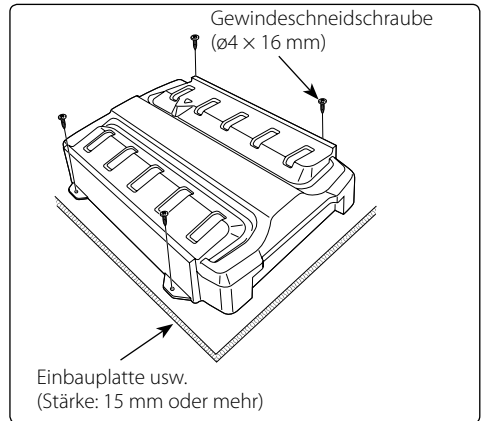
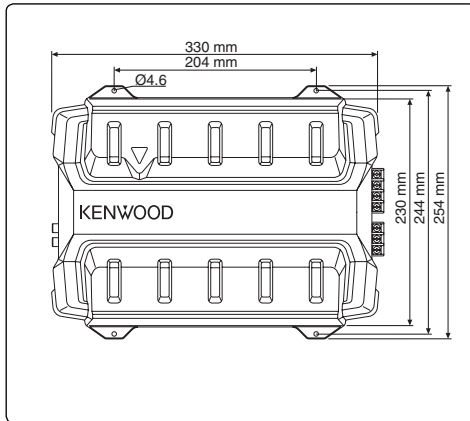
Auch Batterien, die in Geräten fest eingebaut sind, unterliegen diesen gesetzlichen Vorschriften.

Schutzfunktion

Im Gerät ist eine Schutzfunktion installiert, um das Gerät und die Lautsprecher vor verschiedenen Problemen zu schützen. Wenn der Schutz aktiv ist, informiert Sie die Anzeige über den Zustand. (Siehe Seite 29)

Zubehör

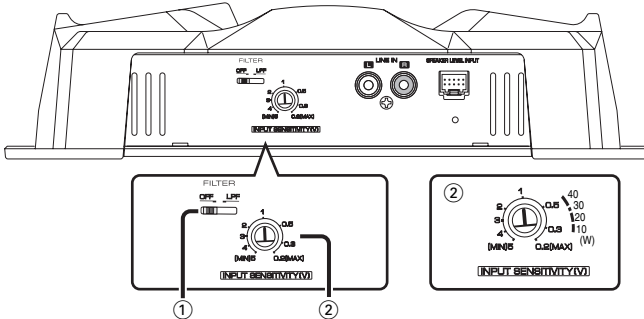
Teilebezeichnung	Ansicht	Anzahl
Gewindeschneidschraube (Ø4 × 16 mm)		4
Cache de bornier (Borne d'alimentation)		1
Câble d'entrée de niveau d'enceinte		1



⚠ ACHTUNG

- Nicht an folgenden Stellen installieren; (nicht stabile Stellen; Stellen, die beim Fahren stören; an einer Stelle, die nass werden kann; an einer staubigen Stelle; an einem Platz, der heiß werden kann; an einem Platz, der dem direkten Sonnenlicht ausgesetzt ist; an einer Stelle, an der heiße Luft einströmt)
- Das Gerät nicht unter dem Teppich einbauen, weil sich sonst die Wärme stauen kann, wodurch Schaden am Gerät verursacht werden kann.
- Das Gerät an einer Stelle anbauen, an der die Wärme gut abgeführt wird.
Keine Gegenstände auf das eingebaute Gerät legen.
- Die Oberfläche des Verstärkers wird während der Benutzung heiß. Installieren Sie den Verstärker an einem Ort, an dem weder Personen, Kunststoffe noch andere hitzeempfindliche Substanzen mit dem Verstärker in Kontakt kommen können.
- Überprüfen Sie beim Bohren eines Loches unter dem Sitz, im Kofferraum oder an einer anderen Stelle im Fahrzeug, daß sich auf der gegenüberliegenden Seite keine gefährlichen Gegenstände wie z.B. der Benzintank, die Bremsleitung oder elektrischen Leitungen befinden. Achten Sie darauf, daß Sie das Fahrzeug weder zerkratzen noch auf andere Weise beschädigen.
- Installieren Sie den Verstärker nicht in der Nähe des Armaturenbrettes, der Heckablage und im Bereich des Sicherheitsairbags.
- Das Gerät muß fest an einer Stelle im Fahrzeug installiert werden, an der es das Führen des Fahrzeuges nicht behindert. Das Herunterfallen des Gerätes auf Personen oder Sicherheitseinrichtungen kann Verletzungen oder Unfälle verursachen.
- Nach dem Einbau des Gerätes muß überprüft werden, ob elektrische Vorrichtungen wie Bremsleuchten, Blinkerleuchten und Scheibenwischer einwandfrei funktionieren.

Bedienelemente / Anzeige



① FILTER-Schalter

Dieser Schalter gestattet die Filtrierung der Lautsprecher-Ausgangssignale.

• OFF-Stellung:

Der Originalklang ohne Filtrierung wird ausgegeben.

• LPF-Stellung (Tiefpaßfilter):

Nur Frequenzen von 80Hz und niedriger werden ausgegeben. (Signale über 80Hz werden unterdrückt.)

Das Lautsprecher-Ausgangssignal wird automatisch auf monaural geschaltet (L + R), und die Baß-Funktion wird aktiviert.

② Regler für Eingangsempfindlichkeit (INPUT SENSITIVITY)

Diesen Regler entsprechend dem Vorverstärker-Ausgangspegel des mit diesem Gerät verbundenen Mittengeräts oder auf die maximale Ausgangsleistung des Originalausstattung-Automobil-Stereogeräts einstellen. Das nebenstehende Diagramm als Anleitung verwenden.

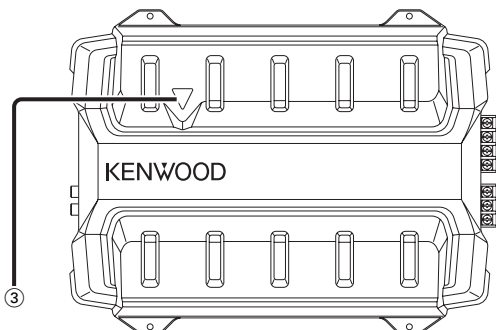
ANMERKUNG

Einzelheiten über den Pegel des Vorverstärker-Ausgangssignals siehe <Technische Daten> der Bedienungsanleitung des Hauptgeräts.

③ POWER-Anzeige

Wenn dieses Gerät eingeschaltet wird, erleuchtet die POWER-Anzeige.

Falls die POWER-Anzeige nicht erleuchtet, wenn das Gerät eingeschaltet ist, so kann die Schutzfunktion ausgelöst sein. Prüfen Sie, ob Gerät kein Problem hat.



■ **Die Schutzfunktion wird in den folgenden Situationen aktiviert:**

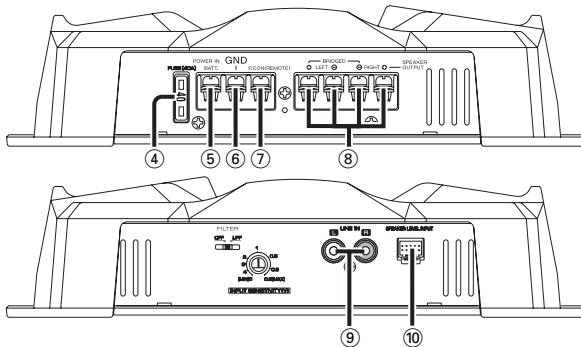
Dieses Gerät verfügt über eine Schutzfunktion, um dieses Gerät und die Lautsprecher vor verschiedenen Schäden und Beeinträchtigungen zu schützen.

Wenn die Schutzfunktion ausgelöst wird, erlischt die POWER-Anzeige, und der Verstärker schaltet aus.

- Wenn ein Lautsprecherkabel kurzgeschlossen ist.
- Wenn ein Lautsprecherausgang mit Masse verbunden ist.
- Wenn aufgrund einer Fehlfunktion des Gerätes ein Gleichstromsignal zu den Lautsprecherausgängen gesendet wird.
- Wenn Die Innentemperatur hoch ist und das Gerät nicht arbeitet.
- Wenn eine Massekabel des Mittengerätes (Kassetten-Receiver, CD-Receiver usw.) oder dieses Gerätes nicht mit einem Metallteil des Chassis verbunden ist, das den Stromkreis zur Minusklemme ⊖ der Batterie schließt.

Anschlüsse

Terminal-Namen



④ **Sicherung (40A)**

⑤ **Netzbuchse (BATT)**

⑥ **Massebuchse (GND)**

⑦ **Netzsteuereingangsbuchse (P.CON)**

Regelt EIN/AUS des Geräts.

ANMERKUNG

Regelt die Stromzufuhr des Geräts. Achten Sie darauf, dass es mit allen Systemen verbunden ist.

⑧ **Lautsprecher-Ausgangsanschlüsse (SPEAKER OUTPUT)**

• **Stereoanschlüsse:**

Wenn Sie das Gerät als Stereo-Verstärker verwenden möchten, werden Stereoanschlüsse gebraucht.

Die Lautsprecher, die angeschlossen werden sollen, benötigen eine Impedanz von 2 ohm oder mehr. Wenn multiple Lautsprecher angeschlossen werden sollen, stellen Sie sicher, daß die kombinierte Impedanz für jeden Kanal 2 ohm oder mehr beträgt.

• **Brückenanschlüsse:**

Wenn Sie das Gerät als Hochleistungs-Mono-Verstärker verwenden möchten, werden Brückenanschlüsse gebraucht. (An die LEFT-Kanal \oplus und RIGHT-Kanal \ominus SPEAKER OUTPUT-Klemmen anschließen.)

Die Lautsprecher, die angeschlossen werden sollen, benötigen eine Impedanz von 4 ohm oder mehr. Wenn multiple Lautsprecher angeschlossen werden sollen, stellen Sie sicher, daß die kombinierte Impedanz 4 ohm oder mehr beträgt.

ACHTUNG

Die Nenn-Eingangsleistung der Lautsprecher darf nicht geringer als die maximale Ausgangsleistung des Verstärkers sein, da andernfalls eine Funktionsstörung die Folge sein kann. da andernfalls eine Funktionsstörung die Folge sein kann.

⑨ **LINE IN-Buchse**

⑩ **Lautsprecherpegel-Eingangsanschluß (SPEAKER LEVEL INPUT)**

ANMERKUNGEN

- Die maximale Ausgangsleistung des Originalausstattung-Automobil-Stereogeräts darf nicht mehr als 40W betragen.
- Niemals die Lautsprecher-Ausgangsleitungen von einer Endstufe (Sonderzubehör) an die Lautsprecher-Eingangsklemmen dieses Gerätes anschließen, weil Fehlfunktionen oder Schäden verursacht werden können.
- Niemals Kabel und Leitungen gleichzeitig an die Cinchstecker-Eingangsbuchsen und Lautsprecher-Eingangsklemmen anschließen, weil dadurch Fehlfunktionen oder Schäden verursacht werden können.
- Die Spannungsversorgung-Steuerungsleitung an eine Spannungsleitung anschließen, die mit dem Zündschloßschalter (ACC-Leitung) ein- und ausgeschaltet werden kann. Bei diesem Anschluß können beim Ein- und Ausschalten des Originalausstattung-Automobil-Stereogeräts Schaltknackse verursacht werden.

■ Hinweise zum Einbau

Da je nach Anwendung zahlreiche verschiedene Einstellungen und Anschlüsse möglich sind, wird empfohlen, die Bedienungsanleitung sorgfältig durchzulesen, um die für Ihr Gerät korrekte Einstellung und Anschlußmöglichkeit zu bestimmen.

1. Ziehen Sie den Zündschlüssel ab und trennen Sie den Minuspol von der Batterie, um einen Kurzschluß zu vermeiden.
2. Das Gerät entsprechend der vorgesehenen Verwendung einstellen.
3. Verbinden Sie die Ein- und Ausgangskabel der einzelnen Geräte.
4. Verbinden Sie die Lautsprecheranschlüsse.
5. Das Batterie-Kabel, Steuerkabel und das Massekabel in dieser Reihenfolge anschließen.
6. Montieren Sie die Befestigungen am Gerät.
7. Schließen Sie den Minuspol Batterie an.

▲ WARNUNG

In der Nähe der Batterieklemme eine Schmelzbandsicherung oder einen Unterbrecher anschließen, um ein Feuer durch einen Kurzschluß in der Verdrahtung zu verhindern.

▲ ACHTUNG

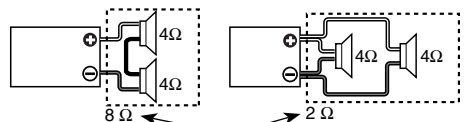
- Wenn keine normale Klangwiedergabe erfolgt, sofort die Stromversorgung ausschalten und die Anschlüsse überprüfen.
- Bevor eine Schalterstellung verändert wird, muß unbedingt die Stromversorgung ausgeschaltet werden.
- Wenn die Sicherung anspricht, überprüfen Sie die Kabel nach Kurzschlüssen. Ersetzen Sie die defekte Sicherung durch eine intakte Sicherung gleichen Werts.
- Achten Sie darauf, daß keine nicht angeschlossenen Kabelenden mit der Karrosserie des Fahrzeugs in Verbindung kommen können. Um Kurzschlüsse zu verhindern, entfernen Sie keine Schutzhüllen oder Verbindungsstecker.
- Verbinden Sie beide Pole der Lautsprecher mit den Lautsprecherausgängen am Gerät. Das Anschließen der Lautsprecher-Minuspole an die Karrosserie kann zu Betriebsstörungen führen oder die Elektronik beschädigen.
- Prüfen Sie nach dem Einbau, ob Bremslichter, Blinker und Scheibenwischer einwandfrei funktionieren.

■ Verdrahtung

- Nehmen Sie das Batteriekabel für dieses Gerät direkt von der Batterie. Wenn es mit dem Kabelbaum des Fahrzeugs verbunden ist, kann es dazu führen, dass Sicherungen durchbrennen, usw.
- Wenn bei laufendem Motor ein Summgeräusch von den Lautsprechern erzeugt wird, sollte ein Entstörfilter (als Sonderzubehör erhältlich) an das Spannungskabel angebracht werden.
- Die Tüllen verwenden, um direkten Kontakt des Kabels mit dem Rand der Blechplatte zu vermeiden.
- Die Masseleitungen an ein Metallteil des Fahrzeugchassis anschließen, das als elektrische Masse wirkt, d.h. mit der Minusklemme \ominus der Batterie verbunden ist. Die Spannungsversorgung nicht anschließen, wenn die Massekabel nicht angeschlossen sind.
- Achten Sie darauf, die Schutzsicherung des Stromkabels in der Nähe der Batterie zu installieren. Die Schutzsicherung sollte dieselbe oder eine etwas höhere Kapazität haben wie die Sicherung des Geräts.
- Für das Stromkabel und die Erdung sollten Sie ein (feuerfestes) Stromleitungskabel für Fahrzeuge mit einer aktuellen Kapazität verwenden, die höher ist als die Kapazität der Sicherung des Geräts. (Verwenden Sie ein Stromleitungskabel mit einem Durchmesser von 5 mm^2 (AWG 10) oder größer.)
- Wenn Sie mehr als einen Leistungsverstärker benutzen möchten, verwenden Sie bitte ein Spannungszufuhrkabel und eine Schutzsicherung mit höherer Belastbarkeit als der insgesamt maximal von jedem Verstärker gezogene Strom.

■ Lautsprecher-Auswahl

- Die Nenneingangsleistung der anzuschließenden Lautsprecher sollte größer sein als die maximale Ausgangsleistung (in Watt) des Verstärkers. Die Verwendung von Lautsprechern, deren Eingangsleistung niedriger als die Ausgangsleistung des Verstärkers ist, kann sowohl Rauchbildung als auch Beschädigungen verursachen.
- Die Impedanz der anzuschließenden Lautsprecher sollte 2Ω oder mehr (bei Stereo-Anschlüssen) oder mindestens 4Ω (bei Brückenschaltungen) betragen. Wenn Sie mehr als ein Paar Lautsprecher anschließen möchten, rechnen Sie die kombinierte Impedanz aller Lautsprecher zusammen und schließen Sie dann die geeigneten Lautsprecher an den Verstärker an.

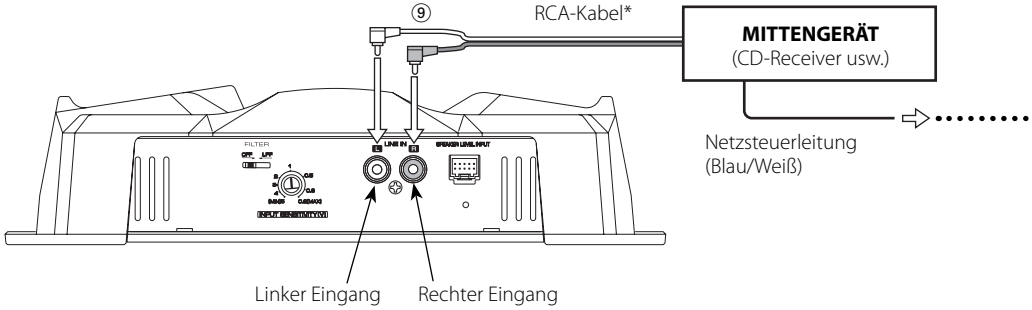


Kombinierte Impedanz

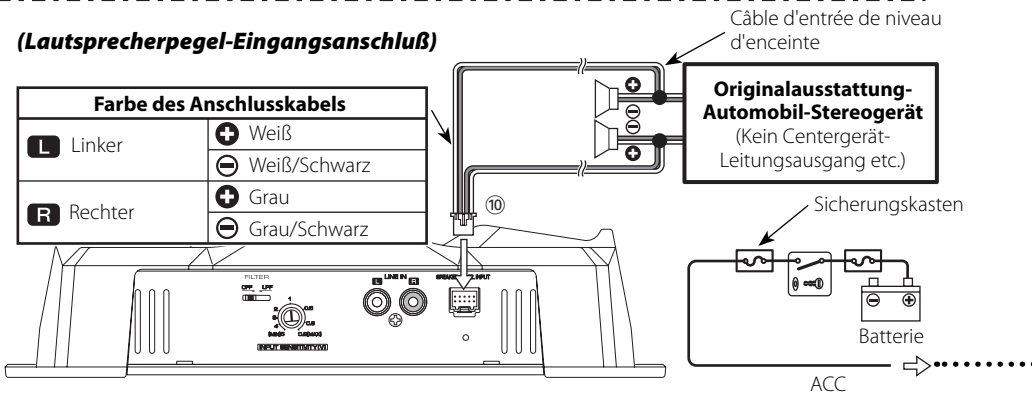
Anschlüsse

■ RCA-Kabel- oder Lautsprecherpegel-Eingangsanschluss

(RCA-Kabelanschluß)

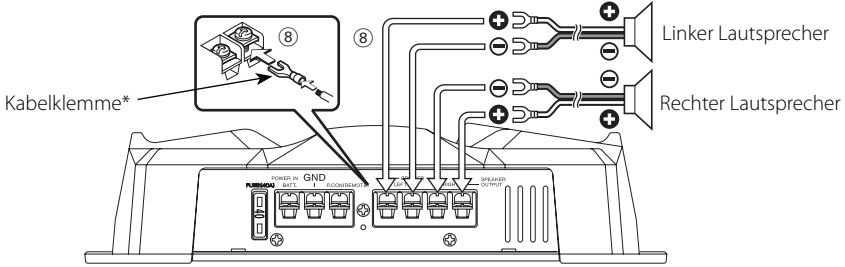


(Lautsprecherpegel-Eingangsanschluß)

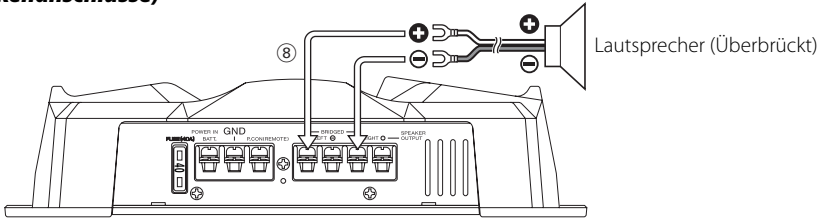


■ Anschluß der Lautsprecherkabel

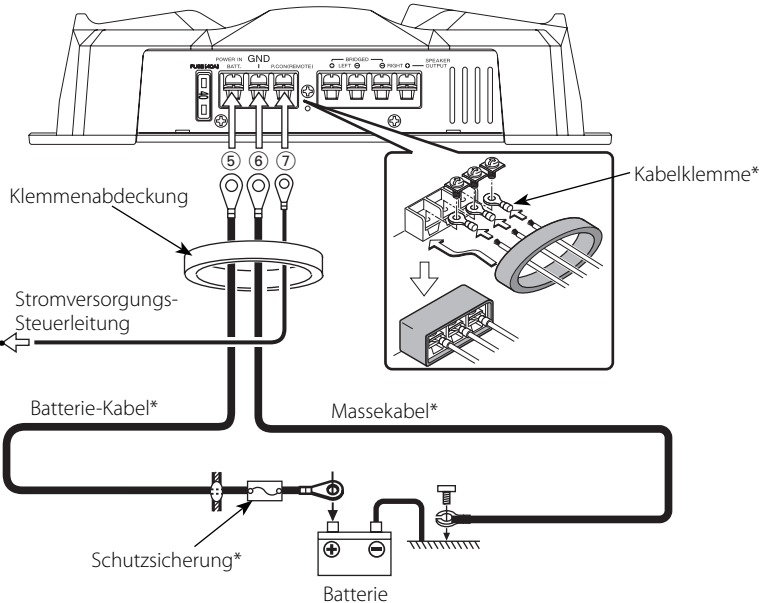
(Stereoeffekte)



(Brückenanschlüsse)

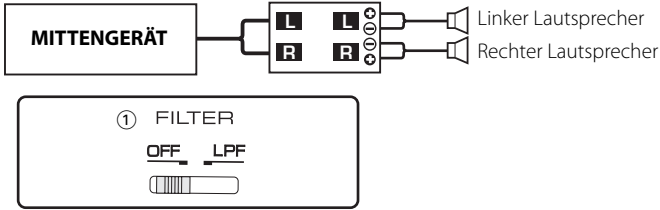


■ Anschluß des Netzkabels

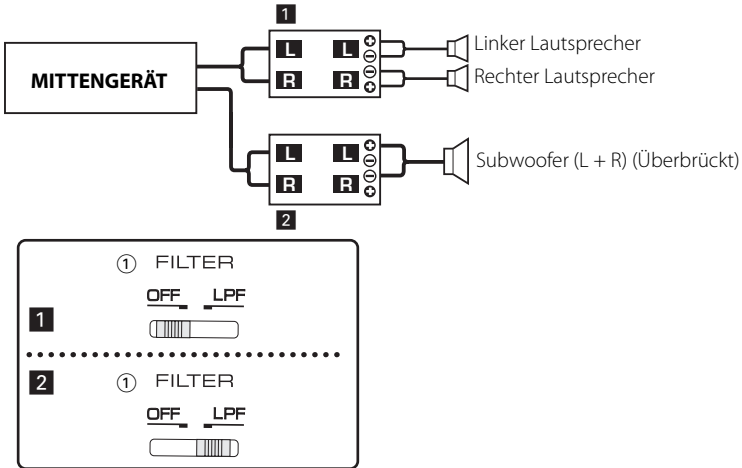


Systembeispiele

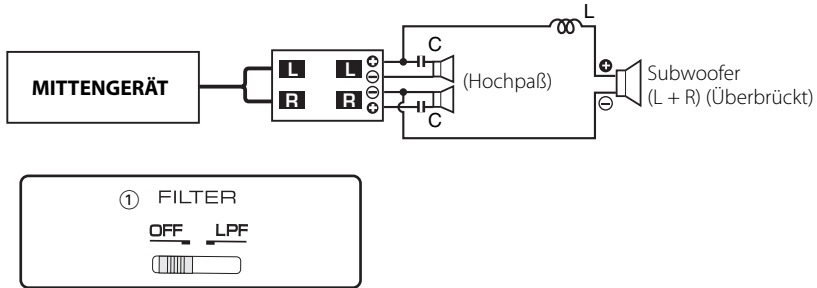
■ 2-Kanal-System



■ 2-Kanal + Subwoofer-System

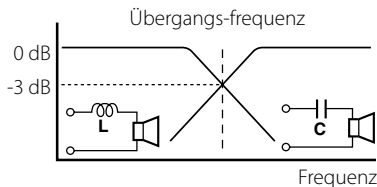


■ Tri-Modus



● Funktionsprinzip des Tri-Modus

Methode der Frequenzbereich-Aufteilung unter Verwendung einer Spule und eines Kondensators ... im Fall von 6 dB/Okt. Flanke



Spule (L): Läßt tiefe Frequenzen passieren und sperrt hohe Frequenzen. (Tiefpaß)

Kondensator (C): Läßt hohe Frequenzen passieren und sperrt tiefe Frequenzen. (Hochpaß)

$$L = \frac{159 \times R}{f_c} \text{ (mH)}$$

f_c = Übergangsfrequenz (Hz)
 R = Lautsprecherimpedanz (Ω)

$$C = \frac{159000}{f_c \times R} \text{ (\mu F)}$$

● Beispiel:

Einstellung einer Übergangsfrequenz von 120 Hz mit Lautsprechern mit einer Impedanz von 4 Ohm.

Besorgen Sie eine Spule und einen Kondensator, die im Fachhandel erhältlich sind, mit Kenngrößen, die den mit den obigen Formeln berechneten Ergebnissen so nahe wie möglich sind. Der Nennwert des Kondensators sollte so nahe wie möglich an 331,25 (μ F) liegen, der Nennwert der Spule so nahe wie möglich an 5,3 (mH).

▲ ACHTUNG

- Bei Brückenschaltung eines Lautsprechers, darf die Lautsprecherimpedanz nicht unter 4 Ohm liegen. Wenn ein Lautsprecher mit einer Impedanz von weniger als 4 Ohm angeschlossen wird, kann dies zu einer Beschädigung des Geräts führen.
- Schließen Sie an die Lautsprecher, die von Hochfrequenzen passiert werden, unbedingt Kondensatoren an. Andernfalls kommt es zu einem Verlust der kombinierten Impedanz mit dem Tieftöner.
- Stellen Sie sicher, daß die Stehspannung und aktuellen Werte der Kondensatoren (C) und Spulen (L) ausreichend sind.

Fehlersuche

Manchmal funktioniert das Gerät nicht richtig, weil ein einfacher Bedienungsfehler vorliegt. Schauen Sie daher zunächst in die nachfolgende Übersicht, bevor Sie Ihr Gerät zur Reparatur geben. Vielleicht läßt sich der Fehler ganz leicht beheben.

SYMPTOM	MÖGLICHE URSACHE	ABHILFE
Kein Ton. (Kein Ton von einer Seite) (Durchgebrannte Sicherung)	<ul style="list-style-type: none"> • Die Eingangskabel (oder Ausgangskabel) sind abgetrennt. • Der Schutzschaltkreis kann unter Umständen aktiviert werden. • Die Lautstärke ist zu hoch. • Das Lautsprecherkabel ist kurzgeschlossen. 	<ul style="list-style-type: none"> • Die Eingangskabel (oder Ausgangskabel) anschließen. • Die Anschlüsse überprüfen und sich dabei auf den Abschnitt <Schutzfunktion> beziehen. • Ersetzen die Sicherung und verwenden Sie eine niedrigere Lautstärke. • Ersetzen Sie nach dem Überprüfen des Lautsprecherkabels und dem Beseitigen der Ursache für den Kurzschluss die Sicherung.
Der Ausgangspegel ist klein (oder zu groß).	<ul style="list-style-type: none"> • Der Eingangsempfindlichkeit-Regler ist nicht auf die richtige Position eingestellt. 	<ul style="list-style-type: none"> • Den Regler nach den Anweisungen unter <Bedienelemente> einstellen.
Die Klangqualität ist schlecht. (Der Klang ist verzerrt.)	<ul style="list-style-type: none"> • Die Lautsprecherkabel sind mit falscher ⊕ / ⊖ Polarität angeschlossen. • Ein Lautsprecherkabel ist von einer Schraube der Autokarosserie durchstoßen. • Die Schalter sind evtl. falsch eingestellt. 	<ul style="list-style-type: none"> • Die Kabel polaritätsrichtig mit ⊕ und ⊖ an die entsprechenden Klemmen angeschlossen. • Die Lautsprecherkabel erneut so anschließen, daß sie nicht beschädigt sind. • Die Schalter korrekt einstellen und sich dabei auf die Abschnitte <System examples> beziehen.

Technische Daten

Die technischen Daten können sich ohne besonderen Hinweis ändern.

Audioteil

Max. Ausgangsleistung	600 W
Nenn-Ausgangsleistung	
Normal (4 Ω) (DIN : 45324 , +B = 14,4V).....	100 W × 2
Normal (2 Ω) (1 kHz, 1 % Gesamtklirrfaktor)	150 W × 2
Überbrückt (4 Ω) (1 kHz, 1 % Gesamtklirrfaktor).....	300 W × 1
Frequenzgang (+0, -3 dB).....	10 Hz – 50 kHz
Ampfindlichkeit (bei Nennleistung) (Max.)	0,2 V
(Min.)	5,0 V
Rauschabstand.....	100 dB
Eingangsimpedanz.....	10 kΩ
Frequenz des Tiefpaßfilter (12 dB/oct.)	80 Hz

Allgemein

Betriebsspannung	14,4 V (11 – 16 V Zulässig)
Stromverbrauch	40 A
Installationsgröße (B × H × T)	330 × 60 × 230 mm
Gewicht.....	2,7 kg (6,0 lbs)

Veiligheidsvoorschriften

▲ WAARSCHUWING

Voorkom persoonlijk letsel en/of brand en let derhalve op de volgende voorzorgen:

- Bij het verlengen van de kabels de accu of aarde moet u kabels gebruiken die voor gebruik in auto's zijn ontworpen of andere kabels met een doorsnede van tenminste 5 mm² (AWG 10) zodat de kabels niet worden aangetast of de isolatie van de kabels wordt beschadigd.
- Voorkom kortsluiting en steek derhalve nooit metalen voorwerpen (zoals munten en gereedschap) in het toestel.
- Schakel de spanning direct uit en raadpleeg uw Kenwood handelaar indien er rook of een vreemde geur uit het toestel komt.
- Raak het toestel tijdens gebruik niet aan. Het toestel wordt namelijk heet en kan brandwonden veroorzaken indien u het aanraakt.

▲ LET OP

Voorkom beschadiging van het toestel en let derhalve op de volgende voorzorgen:

- Controleer dat het toestel is aangesloten op een 12V gelijkstroombron met negatieve aarding.
- Open nooit de boven- of onderpanelen van het toestel.
- Installeer het toestel niet op plaatsen die aan het directe zonlicht, hitte of extreme vochtigheid blootstaan. Vermijd tevens zeer stoffige plaatsen of plaatsen waar het toestel nat zou kunnen worden.
- Bij het vervangen van een zekering moet u altijd een nieuwe zekering van hetzelfde ampère gebruiken. Het gebruik van een andere zekering veroorzaakt mogelijk een onjuiste werking van het toestel.
- Voorkom kortsluiting bij het vervangen van een zekering en ontkoppel derhalve eerst de bedradingbundel.

OPMERKING

- Raadpleeg uw Kenwood handelaar indien u problemen of vragen over het installeren heeft.
- Raadpleeg uw Kenwood handelaar indien het toestel niet juist lijkt te functioneren.

Dit product wordt niet geïnstalleerd door de fabrikant van een voertuig op de productielijn, noch door de professionele invoerder van een voertuig in EU-lidstaten.



Batterij niet weggooien, maar inleveren als KCA.



Informatie over het weggoien van elektrische en elektronische apparatuur (particulieren)



Dit symbool geeft aan dat gebruikte elektrische en elektronische producten niet bij het normale huishoudelijke afval mogen. Lever deze producten in bij de aangewezen inzamelingspunten, waar ze gratis worden geaccepteerd en op de juiste manier worden verwerkt, teruggewonnen en hergebruikt. Voor inleveradressen zie www.nvmp.nl, www.ictmilieu.nl, www.stibat.nl. Wanneer u dit product op de juiste manier als afval inlevert, spaart u waardevolle hulpbronnen en voorkomt u potentiële negatieve gevolgen voor de volksgezondheid en het milieu, die anders kunnen ontstaan door een onjuiste verwerking van afval.

Reinigen van het toestel

Veeg de ombouw indien deze vuil is met een siliconendoek of zachte droge doek schoon. Schakel wel eerst de spanning uit.

▲ LET OP

Veeg het paneel niet schoon met een schurende doek of een doek die met vluchtige middelen zoals thinner en alcohol is bevochtigd. De afwerking van het paneel wordt hierdoor namelijk aangetast en/of de letters van de aanduidingen en indicatoren verdwijnen.

Voorkomen dat de accu leegloopt

Wanneer de eenheid wordt gebruikt met het contactslot op ACC ON zonder de motor te starten, wordt de accu te zwaar belast. Gebruik de eenheid daarom met een draaiende motor.

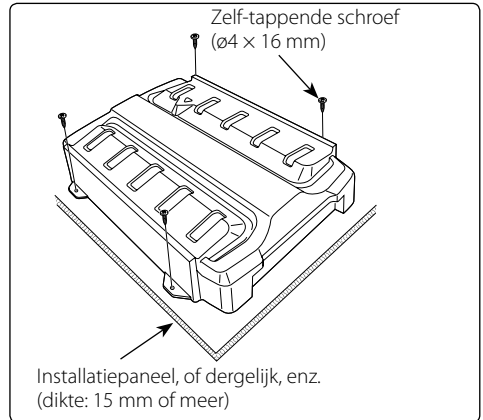
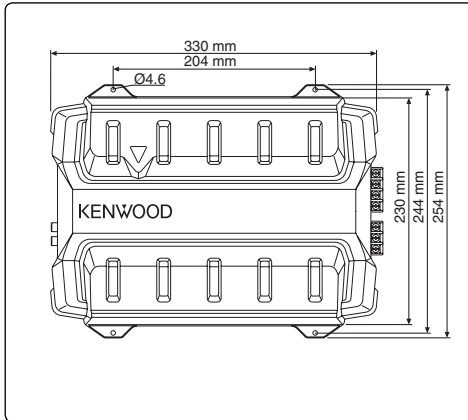
Beveiligingsfunctie

De eenheid beschikt over een speciale beveiligingsfunctie om het toestel en de luidsprekers te beschermen tegen diverse problemen. Wanneer de beveiliging wordt geactiveerd, geeft de indicator aan wat de precieze toestand is. (Zie pagina 41)

Toebehoren

Naam van onderdeel	Afbeelding	Aantal
Zelf-tappende schroef (ø4 × 16 mm)		4
Afdekking voor aansluiting (Aansluiting voor spanningssnoer)		1
Luidsprekerniveau-ingangskabel		1

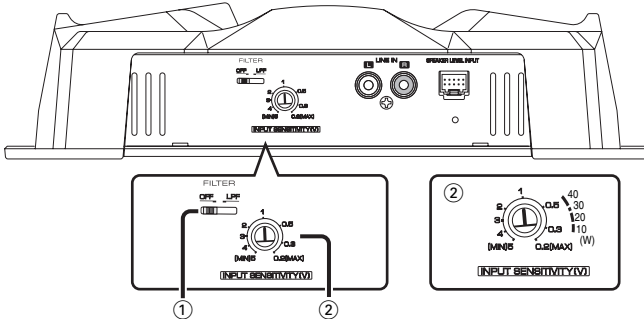
Installeren



▲ LET OP

- Monteer de eenheid niet; (op een instabiele plaats; op een plaats die het sturen bemoeilijkt; op een vochtige plaats; op een stoffige plaats; op een plaats die warm wordt; in direct zonlicht; op een plaats waar warme lucht stroomt)
- Installeer het toestel niet onder een mat of dergelijke. Opgewekte warmte kan anders niet ontsnappen met beschadiging van het toestel tot gevolg.
- Installeer het toestel zodanig dat de ventilatie van het toestel niet wordt gehinderd. Plaats geen voorwerpen bovenop het toestel.
- De behuizing van de versterker wordt tijdens gebruik warm. Daarom dient de versterker zodanig geïnstalleerd te worden, dat er geen mensen of voorwerpen die gevoelig zijn voor warmte mee in aanraking kunnen komen.
- Wanneer er onder de zitting of in de kofferbak gaten in de carrosserie moeten worden aangebracht, dient u eerst te controleren of er geen gevaar bestaat dat de benzinetank, remleidingen of kabelbomen doorboort kunnen worden. Voorkom bovendien dat u krassen of andere beschadigingen veroorzaakt.
- Installeer de versterker niet in het dashboard, op de hoedenplank of op plaatsen waar de airbags worden belemmerd.
- Installeer de versterker zodanig, dat het besturen van het voertuig niet wordt belemmerd. Als de versterker door schokken of trillingen losraakt, kan een ongeval worden veroorzaakt.
- Controleer na het installeren van het toestel dat de diverse elektrische functies van het toestel, zoals de remlichten, richtingaanwijzers en ruitwissers, normaal functioneren.

Regelaars / Indicator



① FILTER schakelaar

Deze schakelaars zorgen voor het filteren van de uitgangssignalen van de luidspreker.

• OFF-stand:

Het originele geluid wordt ongefilterd weergegeven.

• LPF stand (Laag-doorlaatfilter):

Alleen frequenties van 80 Hz of lager worden weergegeven. (Frequenties boven 80 Hz worden onderdrukt.)

De luidsprekeruitgang wordt automatisch mono (L + R) gesteld en de functie voor het versterken van de lage tonen wordt geactiveerd.

② INPUT SENSITIVITY regelaar

Stel deze regelaar in overeenkomstig het pre-uitgangsniveau van het op dit toestel aangesloten middentoestel, of overeenkomstig het maximum uitgangsvermogen van de origineel bij de wagen geleverde auto stereo-installatie.

Gebruik het diagram hier rechts ter referentie.

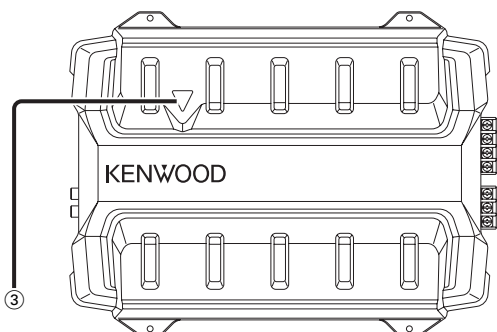
OPMERKING

Zie het gedeelte aangaande de <Technische gegevens> in de gebruiksaanwijzing van het middentoestel voor het pre-uitgangsniveau of het maximum uitgangsvermogen.

③ POWER indicator

Als het toestel is aangeschakeld zal de POWER indicator oplichten.

Indien de POWER indicator niet oplicht als het toestel is aangeschakeld, dan is mogelijk het beveiligingssysteem geactiveerd. Controleer in dat geval of er sprake is van storing of een probleem.



■ **Het beveiligingssysteem treedt onder de volgende omstandigheden in werking:**

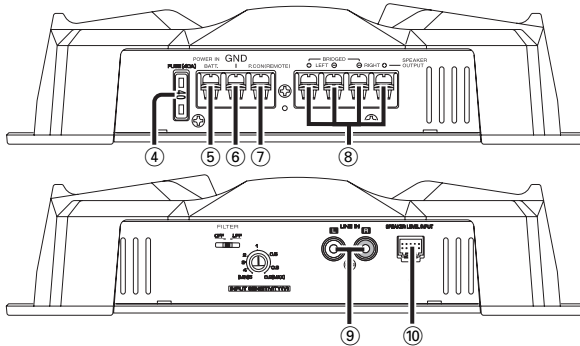
Dit toestel beschikt over een beveiligingssysteem dat het toestel en de luidsprekers tegen diverse problemen beschermd.

Indien de beschermingsfunctie wordt geactiveerd, zal de POWER indicator doven en kan de versterker niet worden gebruikt.

- Een luidsprekersnoer wordt mogelijk kortgesloten.
- Indien de luidsprekeruitgangen in contact met de aarde komen.
- Indien het toestel niet juist functioneert en een gelijkstroomsignaal naar de luidsprekeruitgangen wordt gestuurd.
- Wanneer de interne temperatuur hoog is en het toestel niet werkt.
- Indien een aardedraad van het middelste toestel (cassette-receiver, CD-receiver, etc.) of dit toestel niet op een metalen gedeelte van de auto dat in verbinding met de \ominus pool van de accu is aangesloten.

Aansluitingen

■ Namen van aansluitingen



④ Zekering (40A)

⑤ Spanningsaansluiting (BATT)

⑥ Aarde-aansluiting (GND)

⑦ Aansluiting voor stroomregeling (P.CON)

Hiermee wordt de eenheid aan- en uitgezet (ON/OFF).

OPMERKING

Hiermee wordt de stroomvoorziening naar de eenheid geregeld. Let erop dat deze op alle systemen wordt aangesloten.

⑧ SPEAKER OUTPUT aansluitingen

• Stereo-aansluitingen:

Als u de eenheid als een stereo-versterker wilt gebruiken dienen stereo-aansluitingen te worden gebruikt.

De aan te sluiten luidsprekers dienen een impedantie van tenminste 2 Ohm te hebben. Als er meerdere luidsprekers moeten worden aangesloten, dient de gezamenlijke impedantie van elke kanaal tenminste 2 Ohm te bedragen.

• Overbruggingsaansluitingen:

WALS u de eenheid als een hoogvermogens mono-versterker wilt gebruiken dienen er overbruggingen te worden aangebracht. (Maak de aansluitingen op het LINKER kanaal ⊕ en het RECHTER kanaal ⊖ van de luidsprekeraansluitingen (SPEAKER OUTPUT).)

De aan te sluiten luidsprekers dienen een impedantie van tenminste 4 Ohm te hebben. Als er meerdere luidsprekers moeten worden aangesloten, dient de gezamenlijke impedantie van elke kanaal tenminste 4 Ohm te bedragen.

▲ LET OP

Het nominale ingangsvermogen van de luidsprekers mag niet minder dan het maximale uitgangsvermogen van de versterker zijn. Het systeem zal niet juist functioneren indien dit niet het geval is.

⑨ LINE IN aansluiting

⑩ SPEAKER LEVEL INPUT aansluiting

OPMERKING

- De originele stereo-installatie dient een uitgangsvermogen van maximaal 40W te hebben.
- Sluit geen luidsprekeruitgangssnoeren van een eindversterker (los verkrijgbaar) aan op de luidsprekeringsaansluitingen van dit toestel daar dit storing of beschadiging kan veroorzaken.
- Sluit geen kabels en snoeren aan op zowel de RCA tulpstekkeringsaansluitingen en luidsprekeringsaansluitingen tegelijkertijd, daar dit storing en beschadiging kan veroorzaken.
- Sluit de voedingskabel aan op een voedingsbron die aan en uit kan worden geschakeld middels het kontaktslot (ACC leiding). In geval van een dergelijke aansluiting kan er schakelstoring worden opgewekt als de originele stereo-installatie van de wagen aan en uit wordt geschakeld.

■ Handelingen voor het installeren

Er zijn verschillende instellingen en verbindingen mogelijk al naar gelang uw opstelling en het gebruik. Lees derhalve de gebruiksaanwijzing door om de juiste methode te kiezen voor het instellen en verbinden.

1. Haal de kontak sleutel uit het slot en ontkoppel de negatieve pool \ominus van de accu ter voorkoming van kortsluiting.
2. Stel het toestel voor gebruik in.
3. Verbind de ingangs- en uitgangskabels van de toestellen.
4. Verbind de luidsprekerkabels.
5. Verbind het spanningsdraad, spanningsregeldraad en aardendraad in deze volgorde.
6. Monteer de installatiebevestigingen in de eenheid.
7. Verbind de negatieve pool \ominus van de accu.

▲ WAARSCHUWING

Sluit ter voorkomen van kortsluiting een zekering of onderbreker aan in de buurt van de accupool.

▲ LET OP

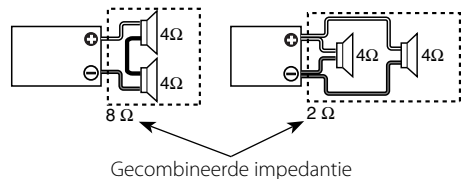
- Schakel de spanning direkt uit en controleer de verbindingen indien het geluid niet normaal wordt weergegeven.
- Schakel de spanning beslist uit alvorens een van de schakelaars in een andere stand te drukken.
- Controleer de kabels op sluiting indien de zekering doorbrandt. Vervang vervolgens de zekering door een zekering van hetzelfde ampèrege.
- Controleer dat kabels die niet zijn aangesloten en stekkers geen contact met het chassis van de auto maken. Voorkom kortsluiting en verwijder nooit de kapjes van kabels of stekkers die niet zijn aangesloten.
- Verbind de luidsprekerkabels afzonderlijk met de overeenkomende luidsprekeraansluitingen. Dit toestel funktioneert mogelijk niet indien de negatieve kabel van de luidsprekers of aardekabels van de luidspreker tevens contact maken met het chassis van de auto.
- Controleer dat de remlichten, richtingaanwijzers en ruitwissers na het installeren van dit toestel juist functioneren.

■ Bedrading

- Laat de accukabel voor deze eenheid rechtstreeks van de accu komen. Als de kabel wordt aangesloten op de bedrading van de auto, kunnen bijvoorbeeld de zekeringen doorslaan.
- Verbind een ruisonderdrukkingsnoer (los verkrijgbaar) met het spanningsnoer indien u ruis via de luidsprekers hoort wanneer de motor draait.
- Let op dat bij gebruik van de sluitring het draad niet direkt contact maakt met de rand van het ijzeren plaatje.
- Verbind de aarddraden met een metalen onderdeel van het chassis van de auto dat in verbinding met de min pool \ominus van de accu staat. Schakel de spanning niet aan (ON) indien de aarddraden niet zijn aangesloten.
- Installeer altijd een zekering in de voedingskabel in de buurt van de accu. De zekering moet dezelfde capaciteit (of iets meer) hebben als de zekering van de eenheid zelf.
- Gebruik voor de voedingskabel en aarding een type kabel (brandbestendig, speciaal voor auto's) met een capaciteit die hoger ligt dan die van de zekering van de eenheid. (Gebruik een voedingskabel met een diameter van 5 mm² (AWG 10) of meer.)
- Wanneer er meerdere vermogensversterkers worden gebruikt, gebruikt u draden en zekeringen met een grotere capaciteit dan de totale maximum spanning die door elke versterker van de accu wordt getrokken.

■ Het kiezen van luidsprekers

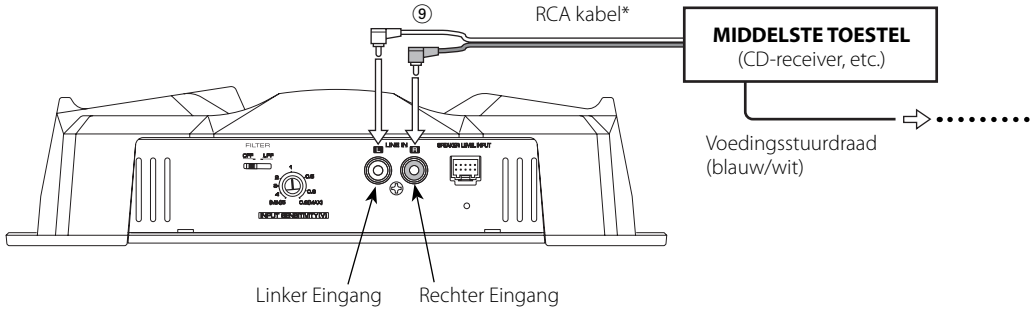
- Het nominale ingangsvermogen van de aan te sluiten luidsprekers moet groter zijn dan het maximum uitgangsvermogen (in Watt) van de versterker. Als er luidsprekers worden gebruikt waarvan het ingangsvermogen lager is dan het uitgangsvermogen van de versterker, dan kunnen luidsprekers en versterker worden beschadigd.
- De impedantie van de aan te sluiten luidsprekers moet minimaal 2Ω (voor stereoverbindingen) of minimaal 4Ω (voor brugverbindingen) bedragen. Als er meer dan één setje luidsprekers moet worden aangesloten, dan berekent u de totale impedantie van de luidsprekers en sluit u luidsprekers aan die voor deze versterker geschikt zijn.



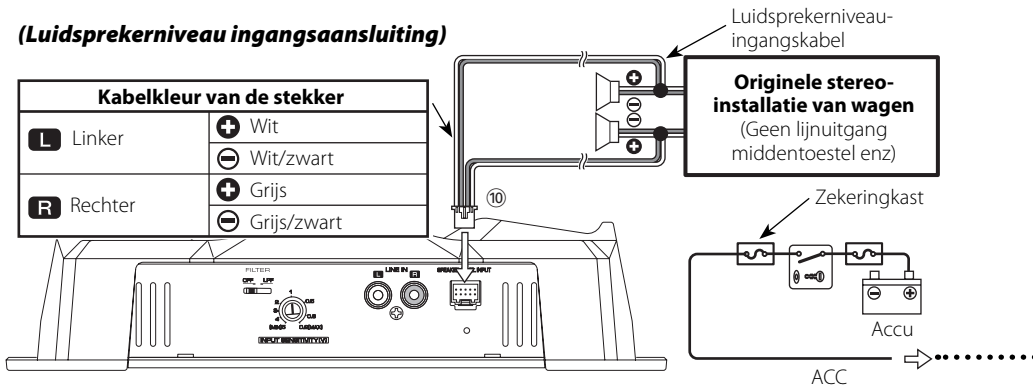
Aansluitingen

■ RCA-kabel- of luidspreekerniveau-ingangsaansluiting

(Aansluiten van de RCA kabel)

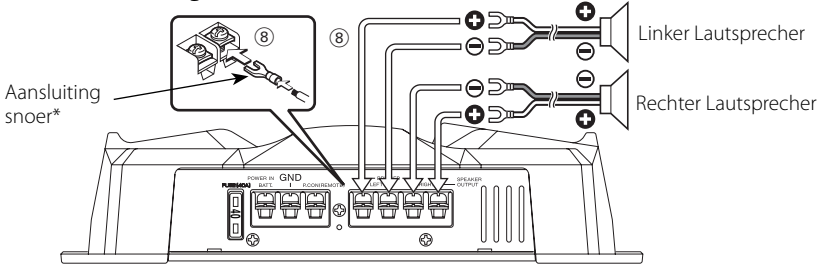


(Luidspreekerniveau ingangsaansluiting)

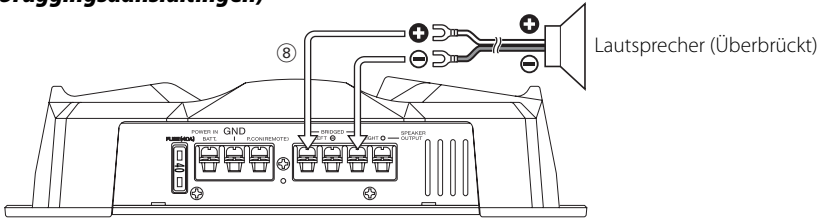


■ Aansluiting van de luidsprekersdraden

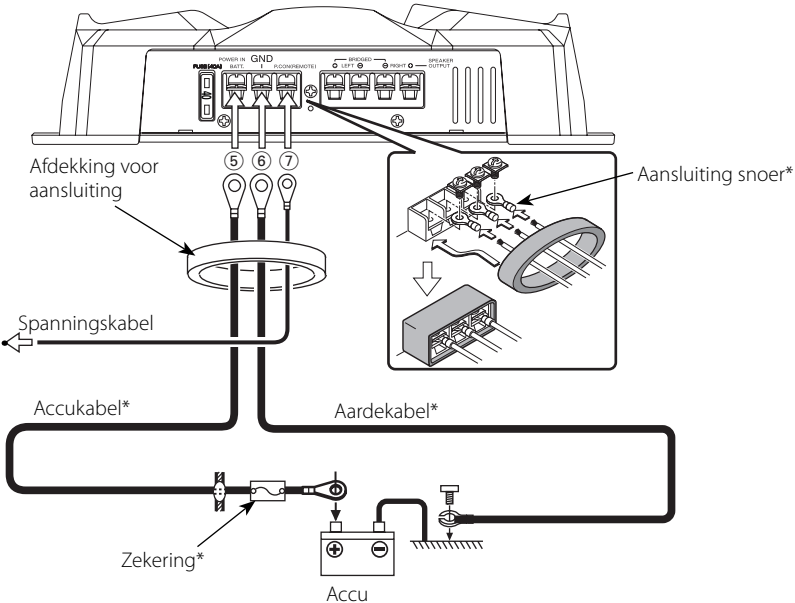
(Stereo-aansluitingen)



(Overbruggingsaansluitingen)

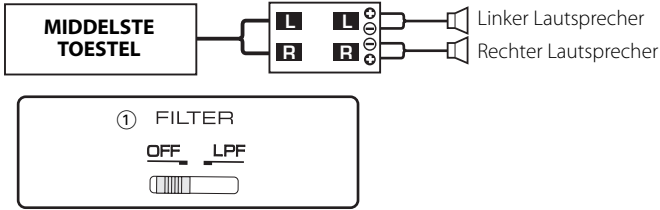


■ Aansluiting van de voedingsdraad

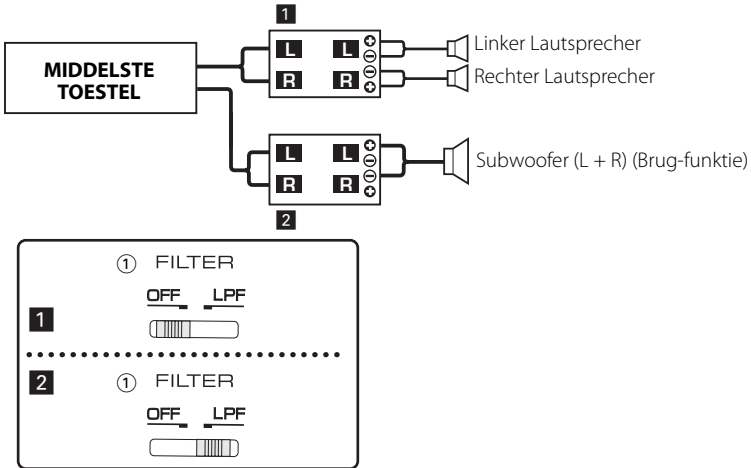


Systemvoorbeelden

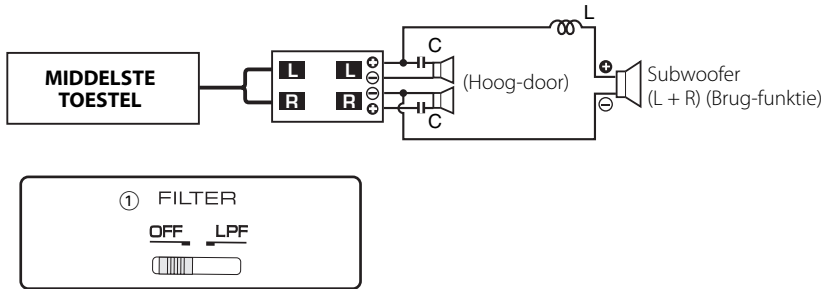
■ 2-kanalen systeem



■ 2-kanalen systeem + subwoofer

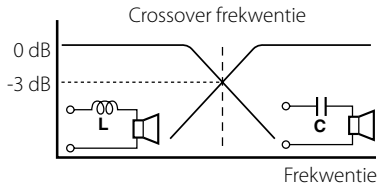


■ Tri-funktie



● Principe van de Tri-funktie

Methode van frekwentiebandscheiding met een spoel en condensator ... in geval van een 6 dB/okt. helling



Spoel (L): Stuurt lage frekwenties door en blokkeert de hoge frekwenties. (Laag-door)

Condensator (C): Stuurt hoge frekwenties door en blokkeert de lage frekwenties. (Hoog-door)

$$L = \frac{159 \times R}{f_c} \text{ (mH)}$$

f_c = Crossoverfrekwentie (Hz)

R = Luidsprekerimpedantie (Ω)

$$C = \frac{159000}{f_c \times R} \text{ (\mu F)}$$

● Voorbeeld:

Wanneer u een crossover frekwentie van 120 Hz dient in te stellen met gebruik van luidsprekers met een impedantie van 4 Ohm.

Gebruik een in de handel verkrijgbare spoel en condensator die het meest overeenkomen met de waarden die u met de bovenstaande formule heeft berekend. De waarde van de condensator dient zo dicht mogelijk bij 331,25 (μ F) en de waarde van de spoel bij 5,3 (mH) te liggen.

▲ LET OP

- Indien u geschakeld een luidspreker, wenst aan te sluiten, moet de impedantie van de luidspreker niet minder dan 4 Ohm zijn. Het aansluiten van een luidspreker met een impedantie lager dan 4 Ohm kan het toestel beschadigen.
- Sluit condensators aan op luidsprekers waar hoge frequenties worden doorgevoerd. Als u dit niet doet vermindert de gecombineerde impedantie met de subwoofer.
- Controleer of de condensatoren (C) en spoelen (L) voldoende weerstand en stroomsterkte hebben.

Oplossen van problemen

Vele problemen worden slechts veroorzaakt door een verkeerde bediening of verkeerde verbindingen. Controleer voordat u uw handelaar raadpleegt eerst de volgende lijst voor een mogelijke oplossing van uw probleem.

PROBLEEM	MOGELIJKE OORZAAK	OPLOSSING
Geen geluid. (Geen geluid van een kant.) (Zekering doorgebrand)	<ul style="list-style-type: none">• Ingang (of uitgang) kabels zijn ontkoppeld.• Het beschermingscircuit is mogelijk geactiveerd.• Volume is te hoog.• Het luidsprekersnoer is kortgesloten.	<ul style="list-style-type: none">• Verbind de ingang (of uitgang) kabels.• Controleer de verbindingen aan de hand van <Beveiligingsfunctie>.• Vervang de zekering en stel het volume lager in.• Controleer het luidsprekersnoer, los de oorzaak van de kortsluiting op, en vervang dan de zekering.
Het uitgangsniveau is te laag (of te hoog).	<ul style="list-style-type: none">• Het ingangsgevoeligheidsniveau is niet juist ingesteld.	<ul style="list-style-type: none">• Stel de regelaar in zoals beschreven bij <Regelaars>.
De geluidskwaliteit is slecht. (Het geluid is vervormd.)	<ul style="list-style-type: none">• De luidsprekerkabels zijn verkeerd aangesloten (⊕ / ⊖ verwisseld).• Een luidsprekerkabel is vastgeklemd door een schroef van het carrosserie.• De schakelaars zijn mogelijk niet in de juiste stand gesteld.	<ul style="list-style-type: none">• Sluit de kabels juist aan. Let op de ⊕ en ⊖ polen van zowel de kabels als de aansluitingen.• Sluit de luidsprekerkabel weer aan en zorg dat de kabel niet wordt afgeklemd.• Druk de schakelaars in de juiste stand aan de hand van <Systeemvoorbeelden>.

Precauzioni sull'uso

▲ AVVERTENZA

Per evitare lesioni e/o incendi, osservare le seguenti precauzioni:

- Quando si prolungano i cavi della batteria o di massa, accertarsi di usare cavi appositi per autoveicoli o cavi con un'area di 5 mm² (AWG 10) o un'area maggiore per evitare il deterioramento dei cavi e danni al rivestimento dei cavi.
- Per evitare cortocircuiti, non inserire mai oggetti di metallo (come monete o strumenti di metallo) all'interno dell'apparecchio.
- Se l'apparecchio comincia ad emettere fumo o odori strani, spegnerlo immediatamente e rivolgersi ad un Centro di Assistenza Autorizzato Kenwood.
- Non toccate l'unità, dato che essa si surriscalda nel corso dell'uso e può quindi causare ustioni.

▲ ATTENZIONE

Per evitare danni all'apparecchio, osservare le seguenti precauzioni:

- Assicuratevi che l'unità sia collegata ad un sistema di alimentazione CC da 12 V e con una massa negativa.
- Non aprire il coperchio superiore o il coperchio inferiore dell'apparecchio.
- Non installare l'apparecchio in un luogo esposto alla luce solare diretta, o al calore o all'umidità eccessivi. Evitare anche luoghi molto polverosi o soggetti a schizzi d'acqua.
- Quando si sostituisce un fusibile, usarne solo uno nuovo di valore prescritto. L'uso di un fusibile di valore errato può causare problemi di funzionamento dell'apparecchio.
- Per evitare cortocircuiti quando si sostituisce un fusibile, scollegare innanzitutto il connettore multipolare.

NOTA

- Se si incontrano difficoltà durante l'installazione, rivolgersi ad un rivenditore o ad un installatore specializzato Kenwood.
- Se sembra che l'apparecchio non funzioni correttamente, consultare il proprio rivenditore Kenwood.

Questo prodotto non è installato dal produttore di un veicolo della linea di produzione, né dall'importatore professionale di un veicolo negli stati membri della UE.



LA DICHIARAZIONE DI CONFORMITÀ "CE"
DI QUESTO PRODOTTO È DEPOSITATA
PRESSO:

KENWOOD ELECTRONICS EUROPE B.V.
AMSTERDAMSEWEG 37
1422 AC UITHOORN
THE NETHERLANDS

Information on Disposal of Old Electrical and Electronic Equipment (applicable for EU countries that have adopted separate waste collection systems)



Products with the symbol (crossed-out wheeled bin) cannot be disposed as household waste.

Old electrical and electronic equipment should be recycled at a facility capable of handling these items and their waste byproducts. Contact your local authority for details in locating a recycle facility nearest to you. Proper recycling and waste disposal will help conserve resources whilst preventing detrimental effects on our health and the environment.

Pulizia dell'apparecchio

Nel caso in cui la superficie dell'unità fosse sporca, spegnete la corrente, poi strofinatela con un panno al silicone o con un panno morbido ed asciutto.

▲ ATTENZIONE

Non pulire il pannello con un panno ruvido o un panno inumidito con solventi volatili come diluenti per vernici e alcol. Essi possono graffiare la superficie del pannello e/o danneggiare le scritte.

Per evitare il consumo della batteria

Quando si utilizza l'unità nella posizione ACC ON senza accendere il motore, si consuma la batteria. Utilizzarla dopo aver acceso il motore.

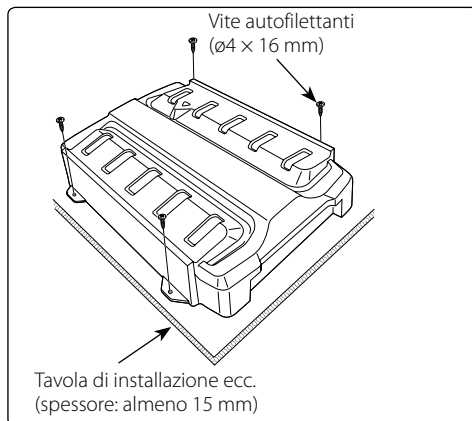
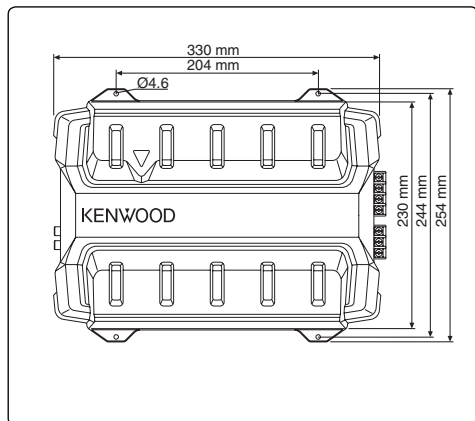
Funzione di protezione

Esiste una funzione di protezione installata nell'unità per proteggerla insieme agli altoparlanti da diversi problemi. Quando la protezione è operativa, l'indicatore fornisce le informazioni sulla condizione. (Fare riferimento a pagina 53)

Accessorio

Nome della parte	Aspetto	Numero di unità
Vite autofilettanti (ø4 × 16 mm)		4
Cappuccio dei terminali (Terminale cavo di alimentazione)		1
Livello d'entrata del cavo dell'altoparlante		1

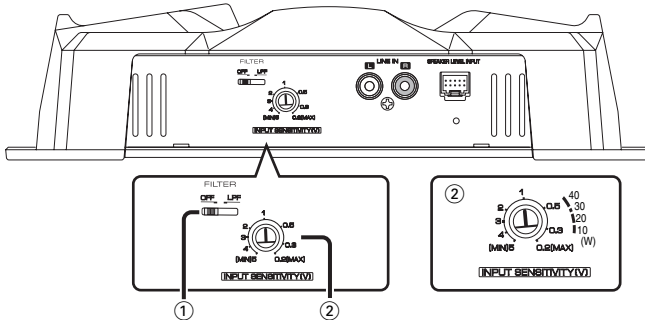
Installazione



⚠ ATTENZIONE

- Non installare nelle seguenti posizioni; (Posizioni instabili; In una posizione che interferisce con la guida; In un punto umido o bagnato; In un punto polveroso; In un punto che si riscalda; In un punto che si trova sotto la luce diretta del sole; In una posizione che viene colpita da aria calda)
- Non installate l'unità sotto un tappeto. Essa potrebbe altrimenti surriscaldarsi e subire danni.
- Installate quest'unità in una posizione in cui il calore possa dissiparsi facilmente. Una volta installata, non posatevi sopra alcun oggetto.
- La temperatura della superficie dell'amplificatore diventa molto alta durante l'uso. Installate l'amplificatore in un luogo in cui non possa venire in contatto con le persone, resina o altri materiali sensibili al calore.
- Prima di praticare un foro sotto un sedile, all'interno del bagagliaio o altrove nel veicolo, controllate sempre che non ci sia qualche oggetto pericoloso dall'altra parte, ad esempio il serbatoio di benzina, la condotta principale del freno o il cablaggio. Inoltre fate attenzione a non provocare graffi od altri danni.
- Non installate l'amplificatore vicino al cruscotto, al ripiano portaoggetti posteriore o alle parti dell'air bag.
- All'installazione dell'amplificatore nel veicolo, bisogna assicurarsi a fissare l'unità in un luogo dove non ostacolerà l'operazione di guida del veicolo. Se l'unità si dovesse staccare per via di un forte urto, colpendo così una persona o una parte di sicurezza, si potrebbero verificare delle lesioni personali o incidenti.
- Installata l'unità, controllate che le luci dei freni, le frecce, i tergicristallo e tutti i dispositivi elettrici funzionino a dovere.

Comandi / Indicatori



① Comando FILTER

Questo comando permette di filtrare i segnali in uscita degli altoparlanti.

• Posizione OFF:

Viene emesso il suono originale senza filtro.

• Posizione LFP (filtro passa basso):

Vengono emesse solo frequenze da 80Hz o più basse. (Le frequenze più alte di 80Hz vengono tagliate.)

L'uscita del diffusore viene automaticamente resa monoaurale (ed i canali destro e sinistro vengono sommati fra loro), mentre i bassi vengono automaticamente potenziati.

② Comando INPUT SENSITIVITY (sensibilità di ingresso)

Impostare questo comando a seconda del livello pre-out dell'unità centrale collegata a questa unità oppure della potenza massima in uscita dello stereo per vettura accessorio originale.

Usare come guida il diagramma a destra.

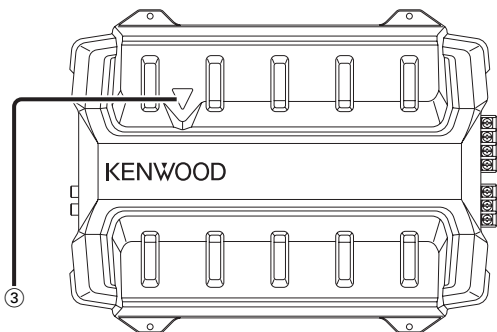
NOTA

Per i dati riguardanti il livello pre-out o la potenza massima in uscita, vedere la sezione sulle <Caratteristiche tecniche> del manuale di istruzioni dell'unità centrale.

③ Indicatore POWER

Quando l'alimentazione viene attivata, l'indicatore POWER si accende.

Se l'indicatore POWER non si accende quando l'alimentazione viene attivata, la funzione di protezione può attivarsi. Verificare se c'è un problema.



■ **La funzione di protezione si attiva nella circostanze che seguono:**

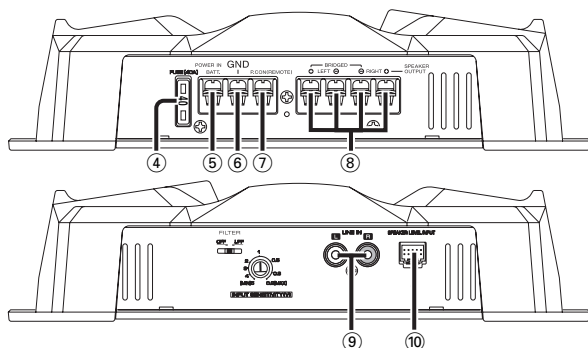
Quest'unità possiede una funzione di protezione che protegge la vostra unità ed i vostri diffusori da vari incidenti e problemi.

Quando la funzione della protezione viene attivata, l'indicatore POWER si spegne e l'amplificatore si interrompe di funzionare.

- Quando un cavo di alimentazione potrebbe essere in corto circuito.
- Quando un'uscita di un diffusore viene messa accidentalmente a massa.
- Quando l'unità non funziona bene ed un segnale a corrente continua viene inviato alle uscite dei diffusori.
- Quando la temperatura interna è alta e l'unità non funziona.
- Quando il cavo di messa a terra dell'unità centrale (sintoamplificatore a cassette, sintoamplificatore CD, ecc.) o di quest'unità non viene collegato ad una porzione della scocca della vettura che funga da messa a terra per il terminale ⊖ della batteria.

Collegamenti

■ Nomi morsetti



④ **Fusibile (40 A)**

⑤ **Terminali BATT (alimentazione)**

⑥ **Terminali GND (massa)**

⑦ **Terminali P.CON (filo di controllo dell'alimentazione)**

Controllo ON/OFF unità.

NOTA

Controllo potenza unità. Assicurarsi di collegarlo a tutti i sistemi.

⑧ **Terminali SPEAKER OUTPUT**

• Collegamenti stereo:

Se si desidera usare l'unità come amplificatore stereo, si dovranno usare i collegamenti stereo.

Gli altoparlanti che devono essere collegati devono avere un'impedenza di 2Ω o maggiore. Se si collegano altoparlanti multipli, assicurarsi che l'impedenza combinata sia di 2Ω o più per ogni canale.

• Collegamenti a ponte:

Se si desidera usare l'unità come amplificatore ad alta uscita monoaurale, devono essere usati i collegamenti a ponte. (Effettuare i collegamenti ai terminali SPEAKER OUTPUT del canale sinistro

⊕ e del canale destro ⊖).

Gli altoparlanti che devono essere collegati devono avere un'impedenza di 4Ω o maggiore.

Se vengono collegati altoparlanti multipli, assicurarsi che l'impedenza combinata sia di 4Ω o maggiore.

⚠ ATTENZIONE

L'ingresso dichiarato dei diffusori non deve essere inferiore all'uscita massima dell'amplificatore. In caso diverso, essi potrebbero subire danni.

⑨ **Terminale LINE IN (ingresso di linea)**

⑩ **Terminale SPEAKER LEVEL INPUT**

NOTA

- Lo stereo per vettura accessorio originale deve possedere una potenza in uscita di non più di 40W.
- Non collegare i fili di uscita per i diffusori di un amplificatore di potenza (Opzionali) ai terminali di ingresso del diffusore di questa unità in quanto ciò può causare disfunzioni o danni.
- Non collegare cavi e fili alle prese di ingresso RCA ed ai terminali di ingresso del diffusore contemporaneamente in quanto ciò può causare disfunzioni o danni.
- Collegare il filo dell'alimentazione ad una fonte di alimentazione che viene commutata ON/OFF dalla chiave di accensione (linea ACC). Con questo collegamento possono essere prodotti dei disturbi quando l'alimentazione dello stereo per vettura accessorio viene commutata ON/OFF.

■ Procedimento per l'installazione

Dato che ci sono molti modi di regolazione e collegamento possibili a seconda delle circostanze, prima di iniziare l'installazione leggere completamente il manuale dell'unità.

1. Rimuovete la chiave del quadro e scollegate il terminale negativo \ominus della batteria per prevenire eventuali corto circuiti.
2. Predisporre l'unità per l'uso che se ne intende fare.
3. Collegate i cavi di ingresso ed uscita delle unità.
4. Collegate i cavi degli altoparlanti.
5. Collegare il cavo di alimentazione, quello di controllo dell'alimentazione e quello di messa a terra in quest'ordine.
6. Installare i raccordi di montaggio nell'unità.
7. Collegate il terminale negativo \ominus della batteria.

▲ AVVERTENZA

Per evitare incendi causati da corto circuiti dei cablaggi, collegate un fusibile vicino al terminale della batteria.

▲ ATTENZIONE

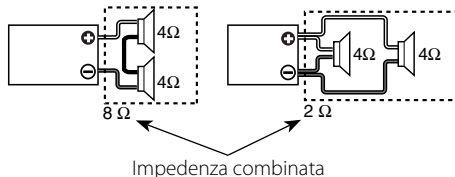
- Se il suono non viene riprodotto normalmente, spegnere subito l'unità e controllare i collegamenti.
- Prima di cambiare la posizione di qualsiasi tasto, contrillare di aver spento l'unità.
- Nel caso in cui il fusibile saltasse, controllate i cavi per localizzare eventuali corto circuiti, poi sostituite il fusibile con uno dello stesso amperaggio.
- Verificate che nessun cavo o connettore non collegato è appoggiato contro lo chassis dell'automobile. Non rimuovete i copricavo dai cavi o dai connettori non usati per prevenire eventuali corto circuiti.
- Collegate i cavi degli altoparlanti ai connettori degli altoparlanti in modo separato. L'uso comune del cavo negativo dell'altoparlanti o dei cavi di massa dell'altoparlante potrebbe causare malfunzioni in quest'unità.
- Dopo l'installazione, controllate che il freno, i fari, le frecce e i tergicristalli funzionano correttamente.

■ Cablaggio

- Prendere direttamente dalla batteria il cavo per questa unità. Se è collegato al cablaggio preassemblato del veicolo, può provocare la bruciatura dei fusibili, ecc.
- Se a motore acceso i diffusori producono un ronzio, collegate un filtro del rumore (Opzionale) al cavo di alimentazione.
- Impedire al cavo di entrare direttamente in contatto con il margine della piastra di metallo utilizzando anelli in gomma.
- Collegate i cavo di terra a parti metalliche della scocca della vettura che funge quindi da massa per il terminale negativo \ominus della batteria. Non accendere l'unità se i cavi di terra non sono collegati.
- Assicurarsi di installare un fusibile di protezione nel cavo di alimentazione accanto alla batteria. Dovrebbe avere la stessa capacità del fusibile dell'unità o maggiore.
- Per il cavo di alimentazione e la messa a terra, utilizzare un cavo di cablaggio di alimentazione (ignifugo) per veicoli con una capacità di corrente superiore alla capacità del fusibile dell'unità. (Utilizzarne uno con un diametro di 5 mm² (AWG 10) o superiore.)
- Se intendete usare più di un'amplificatore di potenza, usate un cavo di alimentazione ed un fusibile di protezione con una capacità di tensione superiore rispetto al consumo massimo di ciascun amplificatore.

■ Selezione degli altoparlanti

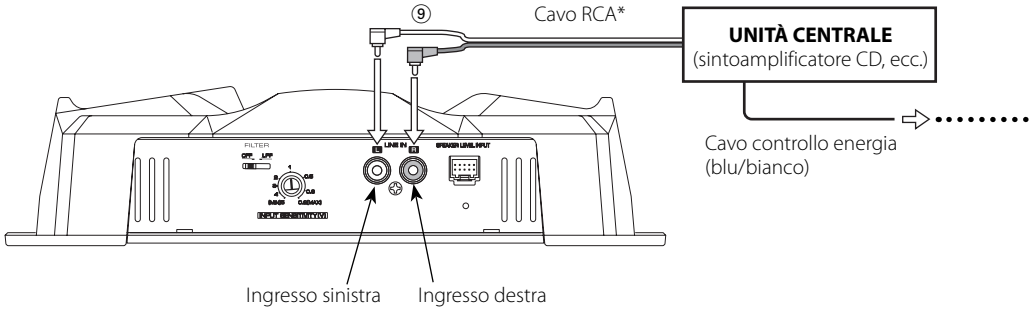
- La potenza di ingresso nominale degli altoparlanti da collegare deve essere superiore dell'uscita massima (in Watt) dell'amplificatore. L'uso di altoparlanti con una potenza inferiore della potenza di uscita dell'amplificatore causerà l'emissione di fumo ed anche danni
- L'impedenza degli altoparlanti da collegare deve essere di 2Ω o più (per i collegamenti stereo) oppure di 4Ω o più (per i collegamenti a ponte). Se intendete usare più di una coppia di altoparlanti, calcolate l'impedenza combinata degli altoparlanti e poi collegate degli altoparlanti adatti all'amplificatore.



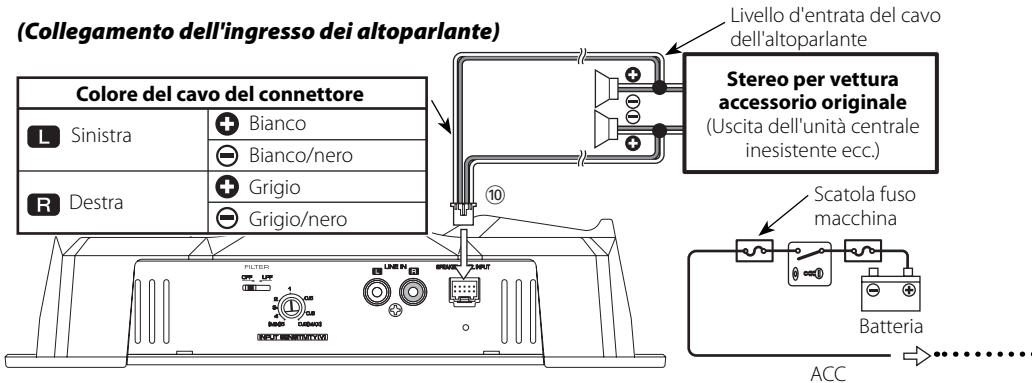
Collegamenti

■ Collegamento del cavo RCA o dell'ingresso del livello dell'altoparlante

(Collegamento cavo RCA)

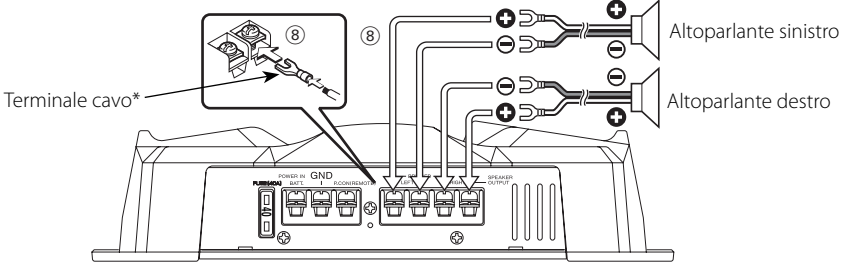


(Collegamento dell'ingresso dei altoparlante)

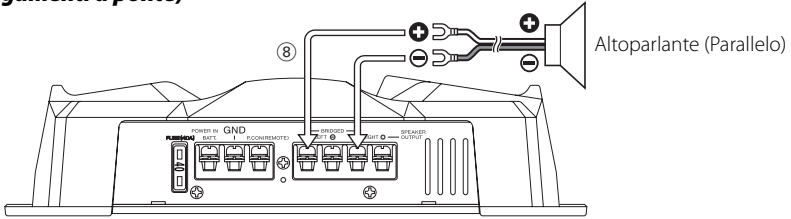


■ Collegamento del cavo degli altoparlanti

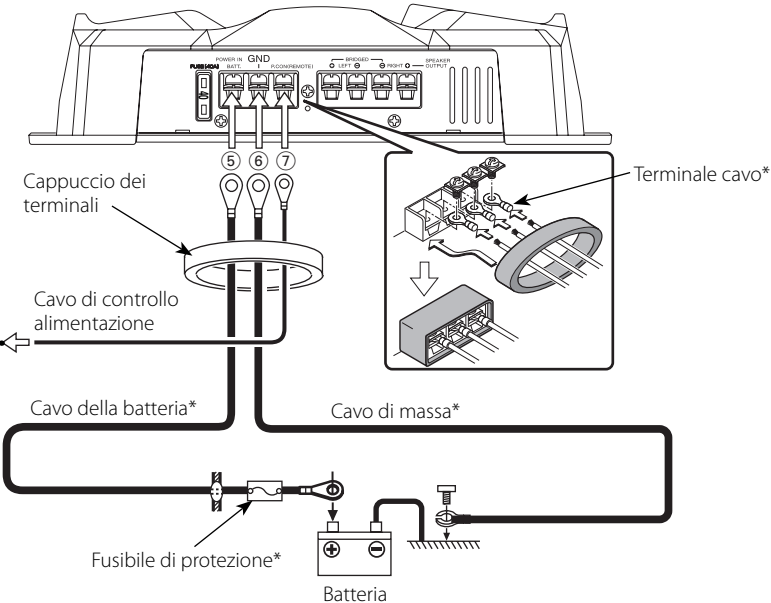
(Collegamenti stereo)



(Collegamenti a ponte)

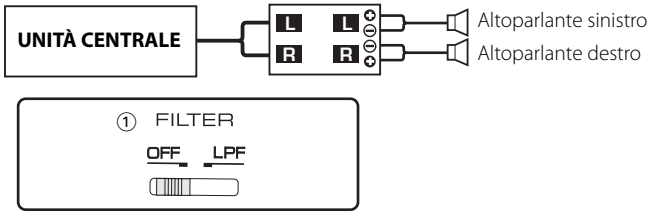


■ Collegamento del cavo di alimentazione

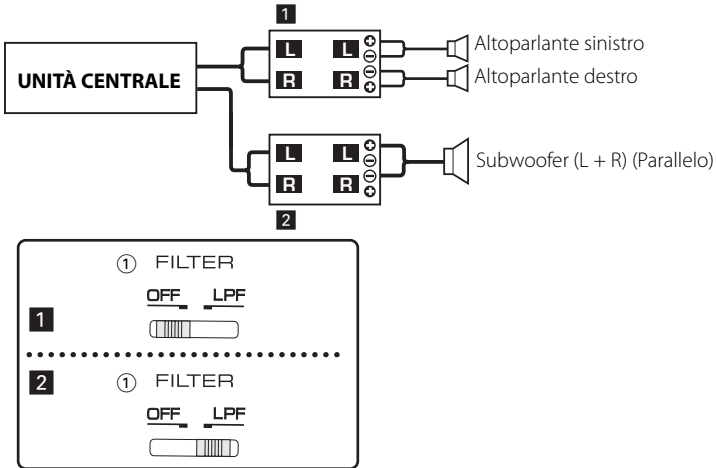


Esempi di sistema

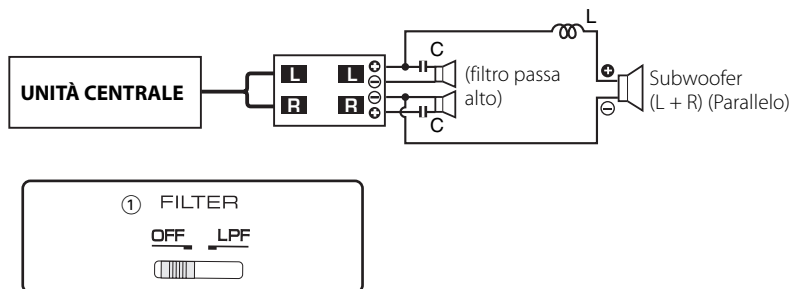
■ Sistema a 2 canali



■ Sistema a 2 canali + subwoofer

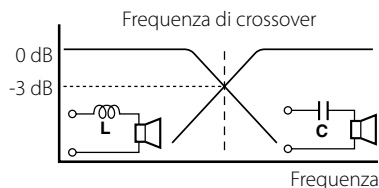


■ Tri-mode



● Principi del modo Tri-mode

Metodo per la divisione della banda di frequenze utilizzando una bobina ed un condensatore ... nel caso di 6dB/pendenza ott.



Bobina (L): Lascia passare le basse frequenze e blocca quelle alte. (filtro passa basso)

Condensatore (C): Lascia passare le alte frequenze e blocca quelle basse. (filtro passa alto)

$$L = \frac{159 \times R}{f_c} \text{ (mH)}$$

$$C = \frac{159000}{f_c \times R} \text{ (\mu F)}$$

f_c = Frequenza di crossover (Hz)

R = Impedenza dei diffusori (Ω)

● Esempio:

Quando è necessario impostare una frequenza di crossover di 120 Hz utilizzando diffusori con un'impedenza di 4 ohm.

Preparare una bobina ed un condensatore con i valori nominali il più prossimi ai risultati calcolati con la formula sopraindicata. Il valore nominale del condensatore deve essere il più prossimo possibile a 331,25 (μ F) mentre quello della bobina deve essere il più prossimo possibile a 5,3 (mH).

▲ ATTENZIONE

- Se si vuole collegare in ponte un altoparlante, l'impedenza dell'altoparlante non dovrà essere inferiore a 4 ohm. L'uso di diffusori di impedenza inferiore ai 4 ohm può danneggiare l'unità.
- Assicuratevi di collegare i condensatori agli altoparlanti a cui passeranno le alte frequenze. Altrimenti si verificherà una caduta dell'impedenza combinata del subwoofer.
- Assicuratevi che sia sufficiente la tensione e la corrente nominale dei condensatori (C) e delle bobine (L).

Guida alla soluzione di problemi

Ciò che può sembrare un problema di funzionamento dell'apparecchio può essere in realtà soltanto il risultato di operazioni o collegamenti errati. Prima di rivolgersi ad un centro di assistenza, è consigliabile eseguire i controlli indicati nella tabella sottostante.

PROBLEMA	CAUSA POSSIBILE	SOLUZIONE
Mancata riproduzione. (mancata riproduzione di un canale). (Fusibile soffiato)	<ul style="list-style-type: none">• I cavi di ingresso o uscita dei diffusori sono scollegati.• Il circuito di protezione potrebbe essersi attivato.• Il volume è troppo alto.• Il cavo dell'altoparlante è in corto circuito.	<ul style="list-style-type: none">• Collegare i cavi di ingresso o uscita dei diffusori.• Controllare i collegamenti consultando la sezione del manuale <Funzione di protezione>.• Sostituire il fusibile e utilizzare un volume basso.• Dopo aver controllato il cavo dell'altoparlante e aver fissato la causa del corto circuito, sostituire il fusibile.
Il livello in uscita è basso (o troppo alto).	<ul style="list-style-type: none">• La manopola di regolazione della sensibilità non si trova sulla posizione corretta.	<ul style="list-style-type: none">• Regolare il comando in modo corretto consultando il <Comandi>.
Riproduzione scadente. (suono distorto)	<ul style="list-style-type: none">• I cavi dei altoparlante sono collegati con le polarità ⊕ / ⊖ invertite.• Un cavo dei altoparlante viene pizzicato da una vite del telaio.• I comandi potrebbero non esser stati regolati correttamente.	<ul style="list-style-type: none">• Collegarli in modo appropriato controllando che le polarità ⊕ / ⊖ dei cavi e dei terminali siano corrette.• Collegare nuovamente il cavo del altoparlante in modo che non venga pizzicato.• Regolarli consultando le sezioni <Esempi di sistema>.

Caratteristiche tecniche

Le caratteristiche tecniche sono soggette a cambiamenti senza preavviso.

Sezione audio

Uscia massima	600 W
Uscita nominale	
Normale (4 Ω) (DIN : 45324 , +B = 14,4V)	100 W × 2
Normale (2 Ω) (1 kHz, 1 % dist. arm. tot).....	150 W × 2
In parallelo (4 Ω) (1 kHz, 1 % dist. arm. tot)	300 W × 1
Risposta in frequenza (+0, -3 dB)	10 Hz – 50 kHz
Sensibilità di ingresso (Max)	0,2 V
(Min)	5,0 V
Rapporto segnale/rumore	100 dB
Impedenza di ingresso	10 kΩ
Frequenza filtro passa basso (12 dB/ott.).....	80 Hz

Generale

Tensione di alimentazione	14,4V (11 – 16 V permissibile)
Consumo di corrente	40 A
Dimensioni installazione (L × A × P)	330 × 60 × 230 mm
Peso	2,7 kg (6,0 lbs)

Precauciones de seguridad

▲ ADVERTENCIA

Para evitar el riesgo de lesiones y/o fuego, observe las siguientes precauciones:

- Cuando extienda los cables de la batería o de masa, asegúrese de utilizar cables para automóviles u otros cables que tengan un área de 5 mm² (AWG 10) o más, para evitar el deterioro del cable y daños en su revestimiento.
- Para evitar cortocircuitos, nunca coloque ni deje objetos metálicos (por ejemplo, monedas o herramientas metálicas) dentro de la unidad.
- Si nota que la unidad emite humos u olores extraños, desconecte inmediatamente la alimentación y consulte con su distribuidor Kenwood.
- No toque el aparato mientras lo utiliza porque su superficie se calienta y puede causar quemaduras si se toca.

▲ PRECAUCIÓN

Para evitar daños en la unidad, tome las siguientes precauciones:

- Asegúrese de que la unidad está conectada a un suministro de alimentación de CC de 12V con una conexión de toma de tierra negativa.
- No abra las cubiertas superior o inferior de la unidad.
- No instale la unidad en un sitio expuesto a la luz directa del sol, o excesivamente húmedo o caluroso. Asimismo evite los lugares muy polvorientos o sujetos a salpicaduras de agua.
- Cuando tenga que reemplazar un fusible, utilice únicamente uno del régimen prescrito. El uso de un fusible de régimen incorrecto podría ocasionar un funcionamiento defectuoso de la unidad.
- Para evitar cortocircuitos mientras sustituye el fusible, desconecte previamente el mazo de conductores.

NOTA

- Si tiene problemas durante la instalación, consulte con su distribuidor Kenwood.
- Si la unidad no está funcionando correctamente, consulte con su distribuidor Kenwood.

Este producto no ha sido instalado en la línea de producción por el fabricante de un vehículo, ni tampoco por el importador profesional de un vehículo dentro del estado miembro de la UE.

Información acerca de la eliminación de equipos eléctricos y electrónicos al final de la vida útil (aplicable a los países de la Unión Europea que hayan adoptado sistemas independientes de recogida de residuos)



Los productos con el símbolo de un contenedor con ruedas tachado no podrán ser desechados como residuos domésticos. Los equipos eléctricos y electrónicos al final de la vida útil, deberán ser reciclados en instalaciones que puedan dar el tratamiento adecuado a estos productos y a sus subproductos residuales correspondientes. Póngase en contacto con su administración local para obtener información sobre el punto de recogida más cercano. Un tratamiento correcto del reciclaje y la eliminación de residuos ayuda a conservar los recursos y evita al mismo tiempo efectos perjudiciales en la salud y el medio ambiente.

Limpieza de la unidad

Si la superficie de la unidad está sucia, apague la unidad y limpie con un paño siliconado suave y seco.

▲ PRECAUCIÓN

No limpie el panel con un paño áspero o humedecido con disolventes volátiles tales como diluyente de pintura o alcohol. Su uso podría rayar la superficie del panel y/o hacer que se despeguen las letras indicadoras.

Para evitar agotar la batería

Cuando la unidad se utiliza en la posición ACC ON sin CONECTAR el motor, agota la batería. Utilícelo después de arrancar el motor.

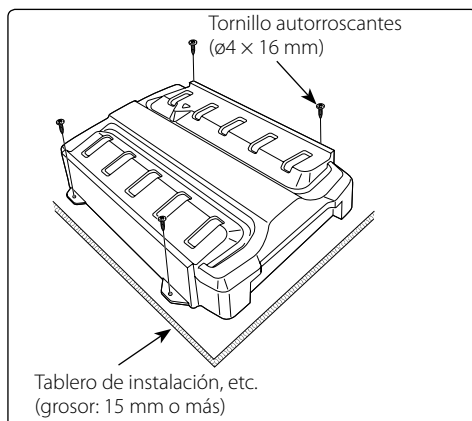
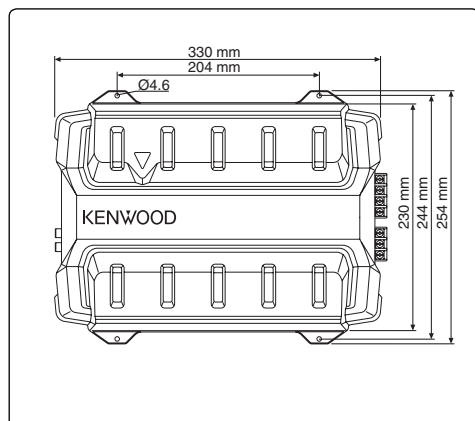
Función de protección

Existe una función de Protección instalada en la unidad para proteger ésta y los altavoces de diversos problemas que pudieran presentarse. Cuando está activada la función de Protección, el indicador le informa de esta condición. (Consulte la página 65)

Accesorios

Nombre de pieza	Vista exterior	Unidades
Tornillo autorroscantes (ø4 × 16 mm)		4
Cubierta de terminales (Terminal del cable de alimentación)		1
Cable de entrada del nivel de altavoces		1

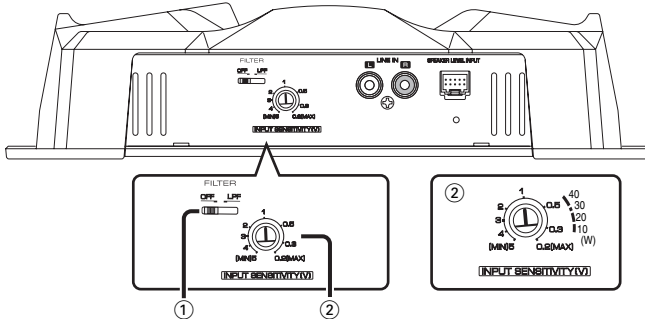
Instalación



⚠ PRECAUCIÓN

- No instale el equipo en las siguientes ubicaciones; (Ubicación inestable; En un lugar que interfiera a la conducción; En un lugar en el que pueda mojarse; En un lugar con exceso de polvo; En un lugar en el que pueda recalentarse; En un lugar en el que reciba la luz directa del sol; En un lugar situado en el flujo de aire caliente)
- No utilice el aparato bajo una alfombra porque en caso contrario, éste podría sobrecalentarse y estropearse.
- Instale este aparato en un lugar donde el calor pueda disiparse fácilmente. Una vez instalado, no ponga nada sobre él.
- La temperatura de la superficie del amplificador se elevará durante su uso. Instale el amplificador en un lugar seguro donde personas, resinas y otras sustancias sensibles al calor no entren en contacto con esta superficie.
- Cuando haga un orificio bajo el asiento o en el portaequipajes o en algún otro lugar del vehículo, verifique que no existan objetos peligrosos al lado opuesto tales como un tanque de gasolina, tubo del freno, o los alambres del cableado del coche y tenga cuidado de no rayar las piezas del vehículo o causar algún otro daño.
- No lo instale cerca del panel de controles, bandeja trasera, o piezas de seguridad del colchón de aire.
- La instalación de esta unidad debe ser realizada en un lugar donde no estorbe la conducción. Si la unidad se sale de su posición debido a un choque y golpea a una persona o a alguna pieza de seguridad, puede causar o un accidente.
- Después de instalar el aparato, cerciórese de que los equipos eléctricos (luces de freno, intermitentes y limpiadores) funcionen normalmente.

Controles / Indicador



① **Conmutador FILTER**

Este conmutador permite filtrar las señales de salida de los altavoces.

• Posición OFF:

Saldrá un sonido original sin filtración.

• Posición LFP (filtro de paso bajo):

Sólo salen las frecuencias de 80 Hz o inferiores.

(Se cortan las frecuencias superiores a 80Hz.)

La salida del altavoz cambia automáticamente a mono (izquierdo + derecho) y se activa la función de refuerzo de graves.

② **Control INPUT SENSITIVITY (sensibilidad de entrada)**

Ponga este control de la unidad central conectada a esta unidad, o según la potencia de salida máxima del equipo estéreo suministrado con el automóvil.

Utilice el cable de la derecha como guía.

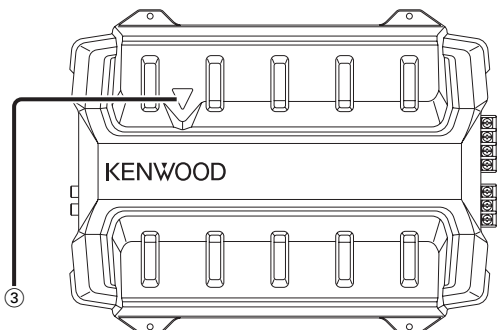
NOTA

Para el nivel de salida de preamplificador o para la potencia de salida máxima, consulte <Especificaciones> del manual de instrucciones de la unidad central.

③ **Indicador POWER**

Cuando la alimentación se activa, el indicador de POWER se ilumina.

Si el indicador de POWER no se ilumina al activar la alimentación, la función de protección puede activarse. Comprobar si hay un problema.



■ **La función de protección se activa en los casos siguientes:**

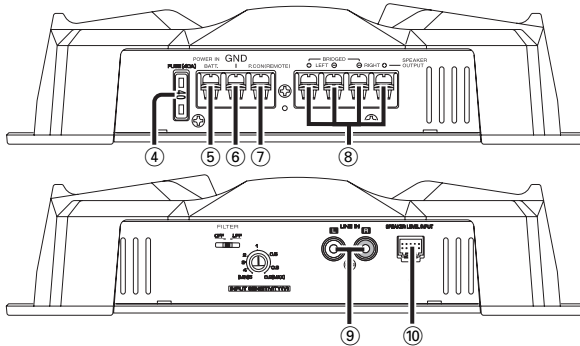
Este aparato está equipado con una función de protección que protege el aparato y los altavoces de diversos accidentes y problemas que pueden ocurrir.

Cuando la función de la protección está activada, el indicador de POWER se apaga y el amplificador se interrumpe.

- Cuando un cable de altavoz puede estar cortocircuitado.
- Cuando la salida de un altavoz entra en contacto con masa.
- Cuando el aparato funciona mal y se envía una señal de DC a la salida de los altavoces.
- Cuando la temperatura interna sea alta y la unidad no funcione.
- Cuando un cable de masa del aparato central (receptor-reproductor de casetes, reproductor de discos compactos, etc.) de este aparato no está conectado a una pieza metálica que sirve de paso de electricidad hasta el borne negativo ⊖ de la batería.

Conexiones

■ Nombres de los terminales



④ Fusible (40A)

⑤ Terminal BATT (alimentación)

⑥ Terminal GND (tierra)

⑦ Terminal del control de corriente (P.CON)

Controla la CONEXIÓN / DESCONEXIÓN de la unidad.

NOTA

Controla la potencia de la unidad. Asegúrese de conectarlo con todos los sistemas.

⑧ Terminales SPEAKER OUTPUT

• Conexiones estereofónicas:

Cuando desee usar la unidad como un amplificador estereofónico, usted deberá utilizar conexiones estereofónicas.

Los altavoces a conectar deberán tener una impedancia de 2 ohmios o mayor. Cuando vaya a conectar múltiples altavoces, asegúrese de que la impedancia combinada sea de 2 ohmios o mayor para cada canal.

• Conexiones en puente:

Cuando desee usar la unidad como un amplificador monoauricular de alta potencia, usted deberá utilizar conexiones en puente. (Haga las conexiones a los terminales de salida de altavoces (SPEAKER OUTPUT) de los canales izquierdo (LEFT) ⊕ y derecho (RIGHT) ⊖.)

Los altavoces a conectar deberán tener una impedancia de 4 ohmios o mayor. Cuando vaya a conectar múltiples altavoces, asegúrese de que la impedancia combinada sea de 4 ohmios o mayor.

⚠ PRECAUCIÓN

La entrada nominal de los altavoces no deberá ser inferior a la salida máxima del amplificador. De lo contrario podría producirse una falla en el funcionamiento.

⑨ Terminal LINE IN (entrada de línea)

⑩ Terminal SPEAKER LEVEL INPUT

NOTA

- El equipo estereofónico suministrado con el automóvil deberá tener una potencia de salida máxima no superior a 40W.
- No conecte los conductores de salida de los altavoces desde un amplificador de potencia (opcional) a los terminales de entrada de altavoces de esta unidad porque podría producirse una avería.
- No conecte simultáneamente cables ni conductores a las tomas de entrada de cables RCA o a los terminales de entrada de altavoces porque podría producirse una avería.
- Conecte el cable de alimentación a una fuente de alimentación que pueda activarse/desactivarse con la llave de contacto (línea del ACC). Con esta conexión podría generarse ruido de choque al conectar/desconectar la alimentación del equipo estereofónico suministrado con el automóvil.

■ Procedimiento de instalación

Como se puede hacer una gran variedad de ajustes y conexiones según las aplicaciones, lea atentamente el manual de instrucciones para seleccionar el ajuste y la conexión apropiados.

1. Retire la llave de encendido y desconecte el terminal negativo \ominus de la batería para evitar cortocircuitos.
2. Prepare el aparato según el uso que vaya a hacer de él.
3. Conecte los cables de entrada y salida de las unidades.
4. Conecte los cables del altavoz.
5. Conecte el cable de alimentación, el cable de control de alimentación y el cable de tierra en este orden.
6. Coloque los elementos de instalación en la unidad.
7. Conecte la terminal negativa \ominus de la batería.

▲ ADVERTENCIA

Para evitar incendios producidos por cortocircuitos en el cableado, conecte un fusible o cortacircuito entre la batería y los terminales de la batería.

▲ PRECAUCIÓN

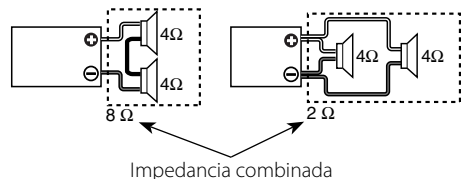
- Si el sonido no sale normalmente, desconecte inmediatamente la alimentación y compruebe las conexiones.
- No se olvide de desconectar la alimentación antes de cambiar el ajuste de cualquier conmutador.
- Si el fusible se quema, compruebe que no haya un cortocircuito en los cables, luego cambie el fusible por uno que tenga el mismo amperaje.
- Verifique que ninguno de los cables o conectores que están sin conectar se encuentren tocando la carrocería del automóvil. No retire las tapas de los cables o conectores que están sin conectar para evitar de que se produzcan cortocircuitos.
- Conecte los cables del altavoz a los conectores adecuados del altavoz separadamente. La puesta en contacto de terminales de altavoces distintos, o la conexión como toma de tierra de los terminales del altavoz al coche del automóvil, pueden causar daños a la unidad.
- Después de la instalación, compruebe que las lámparas del freno, luces de destello y limpiaparabrisas funcionen correctamente.

■ Cableado

- Lleve el cable de la batería de esta unidad directamente desde la propia batería. Si se conectara al arnés del cableado del vehículo, puede provocar daños en los fusibles, etc.
- Si se produce un ruido de zumbido por los altavoces mientras funciona el motor, conecte un filtro de ruido de línea (vendido por separado) a cada cable de la batería.
- No permita que el cable entre en contacto directo con el borde de la placa de hierro, utilizando para ello arandelas de caucho.
- Conecte los cables de masa a una parte del chasis del automóvil que actúe como puesta a masa por donde pase la electricidad hasta el borne negativo \ominus de la batería. No conecte la alimentación si no están conectados los cables de masa.
- Asegúrese de instalar un fusible de protección en el cable de corriente cerca de la batería. El fusible positivo debería tener la misma capacidad que el de la unidad o algo mayor.
- Para el cable de corriente y la masa, utilice un cable de corriente para vehículos (ignífugo) con una capacidad mayor que la capacidad del fusible de la unidad. (Utilice un cable de corriente con un diámetro de 5 mm² (AWG 10) o mayor.)
- Cuando desee utilizar más de un amplificador de potencia, utilice un cable de suministro de alimentación y un fusible de protección de una capacidad de soporte de corriente mayor a la corriente máxima total utilizada por cada amplificador.

■ Selección de altavoces

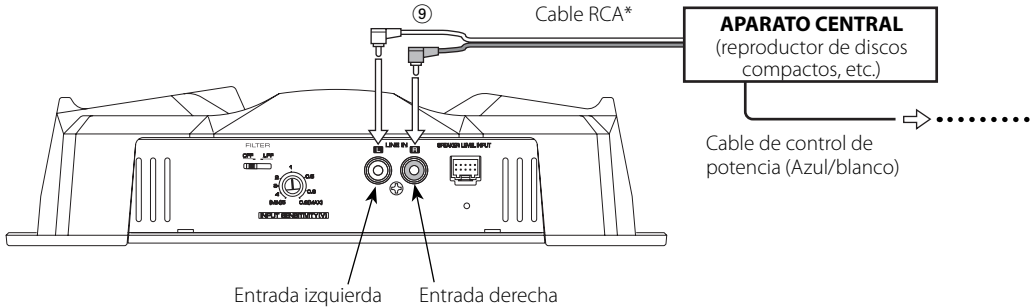
- La potencia de entrada asignada de los altavoces que se conecten al amplificador debe ser mayor que la potencia de salida máxima (en Wats) del amplificador. Utilizar altavoces que posean potencias de entrada menores a la salida de entrada del amplificador producirá emisiones de humo y daños.
- La impedancia de los altavoces que se conecten al amplificador debe ser de 2 Ω o más (para las conexiones estéreo), o de 4 Ω o más (para las conexiones en puente). Cuando desee utilizar más de un juego de altavoces, calcule la impedancia combinada de estos altavoces y luego conecte adecuadamente los altavoces al amplificador.



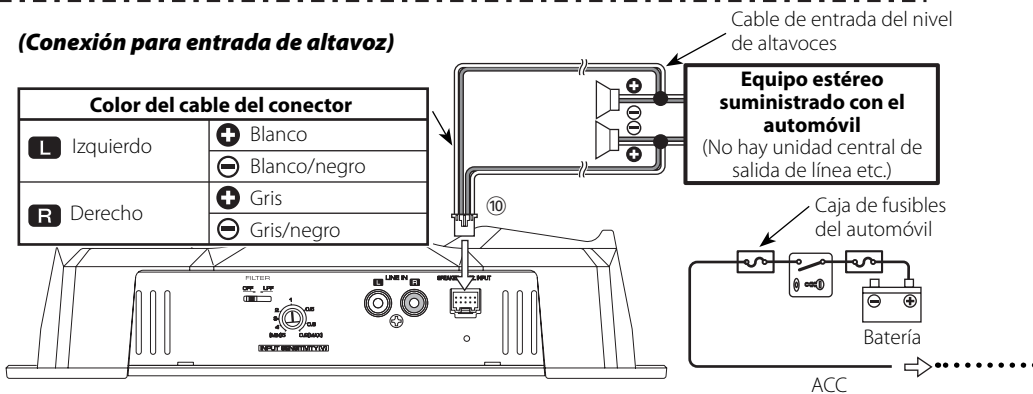
Conexiones

■ Conexión de entrada del cable RCA o del nivel del altavoz

(Conexión de cable de RCA)

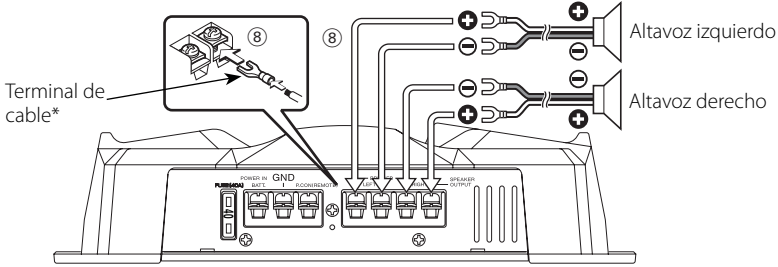


(Conexión para entrada de altavoz)

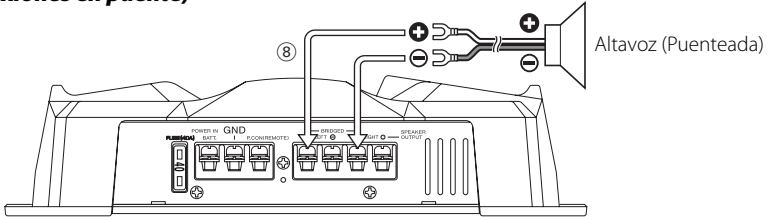


■ Conexión del cable de los altavoces

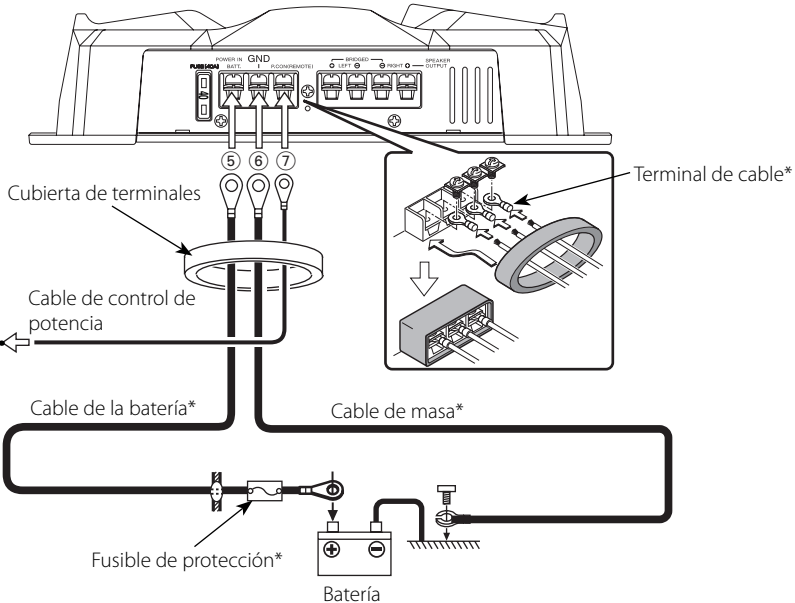
(Conexiones estereofónicas)



(Conexiones en puente)

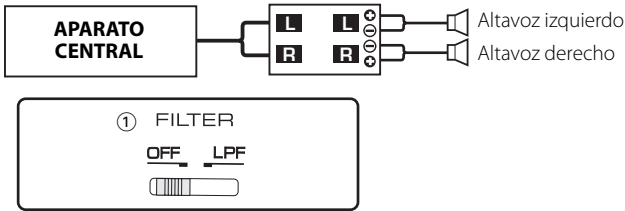


■ Conexión del cable de alimentación

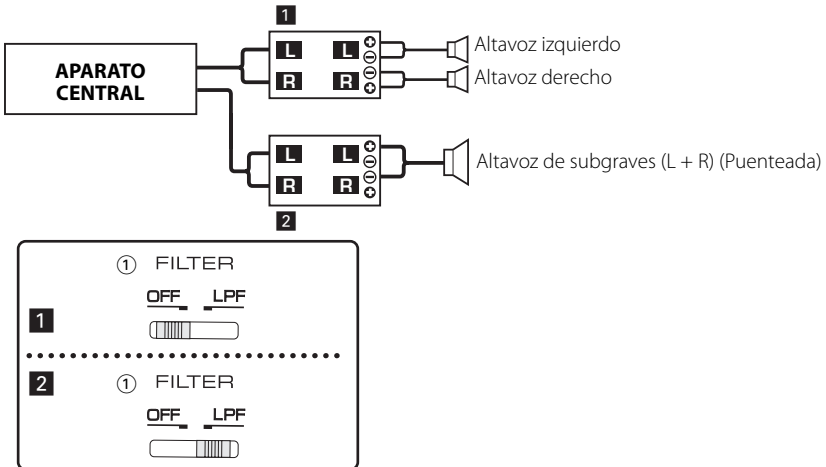


Ejemplos del sistema

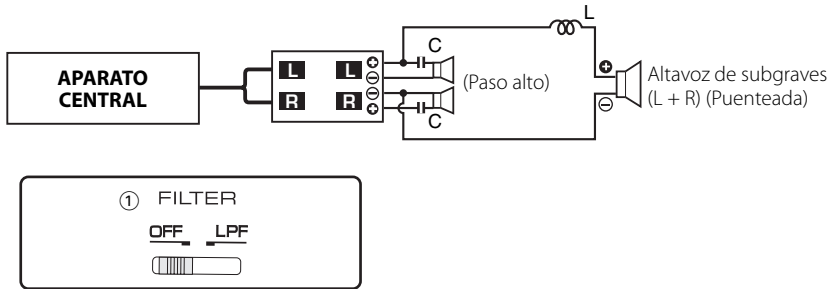
■ Sistema de 2 canales



■ Sistema de 2 canales + Altavoz de subgraves

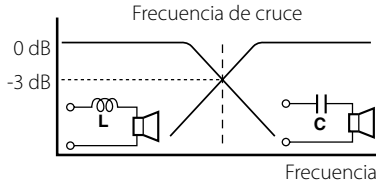


■ Tri-modo



● Propiedades de las bobinas y de los capacitores

Método de división de bandas de frecuencias utilizando una bobina y un capacitor ... en el caso de una inclinación de 6 dB/octava



Bobina (L): Deja paso a las bajas frecuencias y bloquea las altas frecuencias. (Paso bajo)

Capacitor (C): Deja paso a las altas frecuencias y bloquea las bajas frecuencias. (Paso alto)

$$L = \frac{159 \times R}{f_c} \text{ (mH)}$$

f_c = Frecuencia de cruce (Hz)

$$C = \frac{159000}{f_c \times R} \text{ (}\mu\text{F)}$$

R = Impedancia de altavoces (Ω)

● Ejemplo:

Cuando sea necesario ajustar una frecuencia de cruce de 120 Hz utilizando altavoces con una impedancia de 4 ohmios.

Prepare una bobina y un capacitor de venta en el comercio del ramo que tengan unas especificaciones nominales lo más parecidas a los resultados calculados en la fórmula de arriba. Las especificaciones nominales del capacitor deberán ser lo más parecido a 331,25 (μF), y las especificaciones nominales de la bobina deberán ser lo más parecido posible a 5,3 (mH).

▲ PRECAUCIÓN

- Si se desea conectar un altavoz, la impedancia del altavoz no debe ser inferior a 4 ohmios. Conectar un altavoz con una impedancia inferior a 4 ohmios pueden estropear el aparato.
- Asegúrese de conectar los capacitores a los altavoces por los que pasarán las altas frecuencias. No conectar los capacitores o hacerlo de manera deficiente resultará en una caída de la impedancia de combinación con el subwoofer.
- Asegúrese de que la tensión soportada y la capacidad nominal de corriente de los capacitores (C) y bobinas (L) sean suficientes.

Guía Sobre Localización De Averías

Lo que podría parecer una falla de funcionamiento de su unidad podría ser simplemente el resultado de un pequeño error de operación o de un defecto de conexión. Antes de acudir al servicio, verifique primero el siguiente cuadro sobre los problemas que se podrían presentar.

PROBLEMA	CAUSA POSIBLE	SOLUCION
No hay sonido. (No hay sonido de un lado.) (Fusible fundido)	<ul style="list-style-type: none">• Los cables de entrada (o salida) están desconectados.• El circuito de protección puede estar activado.• El volumen está demasiado alto.• El cable del altavoz está cortocircuitado.	<ul style="list-style-type: none">• Conecte los cables de entrada (o salida).• Compruebe las conexiones consultando <Función de protección>.• Reemplace el fusible y utilice volumen bajo.• Después de revisar el cable del altavoz y arreglar la causa del cortocircuito, reemplace el fusible.
El nivel de salida está muy bajo (o muy alto)	<ul style="list-style-type: none">• El control de ajuste de sensibilidad de entrada no está en la posición correcta.	<ul style="list-style-type: none">• Ajuste bien el control consultando en <Controles>.
La calidad del sonido es mala. (El sonido está distorsionado.)	<ul style="list-style-type: none">• Los cables de los altavoces están conectados con las polaridades \oplus / \ominus invertidas.• Un cable de altavoz está pellizcado por un tornillo de la carrocería del automóvil.• Los conmutadores pueden estar mal ajustados.	<ul style="list-style-type: none">• Conéctelos correctamente asegurándose bien de cuáles son los terminales \oplus y \ominus.• Vuelva a conectar los cables de los altavoces de forma que no queden pellizcados.• Ponga bien los conmutadores consultando <Ejemplos del sistema>.

Especificaciones

Las especificaciones se encuentran sujetas a cambios sin previo aviso.

Sección de audio

Máxima potencia de salida	600 W
Salida de potencia nominal	
Normal (4 Ω) (DIN : 45324 , +B = 14.4V)	100 W \times 2
Normal (2 Ω) (1kHz, 1 % de distorsión armónica total).....	150 W \times 2
Puenteadada (4 Ω) (1kHz, 1 % de distorsión armónica total)	300 W \times 1
Respuesta de frecuencia (+0, -3 dB).....	10 Hz - 50 kHz
Sensibilidad (salida nominal) MAX.	0,2 V
MIN.	5,0 V
Relación señal a ruido	100 dB
Impedancia de entrada	10 k Ω
Frecuencia del filtro pasa bajos (12 dB/octava)	80 Hz

General

Tensión de funcionamiento	14,4 V (margen de 11 - 16 V permitido)
Consumo	40 A
Tamaño de instalación (Anch \times Alt \times Prof).....	330 \times 60 \times 230 mm
Peso	2,7 kg (6,0 lbs)

Precauções de segurança

▲ ADVERTÊNCIA

As seguintes precauções devem ser tomadas para evitar acidentes e/ou incêndio:

- Ao prolongar com cabos a bateria ou cabos massa, assegurar-se de que está usando cabos especiais automotivos ou outros com uma área de 5 mm² (AWG 10) ou maiores para prevenir a deterioração ou danos ao revestimento dos cabos.
- Para prevenir curtos-circuitos, nunca se deve colocar ou deixar objetos metálicos (p.ex., moedas ou ferramentas de metal) dentro do aparelho.
- Se o aparelho começar a emitir fumaça ou cheiros estranhos, deve-se desligá-lo imediatamente e consultar seu concessionário Kenwood.
- Não tocar o aparelho durante sua operação pois sua superfície pode estar quente e causar queimaduras.

▲ CUIDADO

Para prevenir danos à máquina, deve-se tomar as seguintes precauções:

- Confirmar que o aparelho está conectado a uma fonte de alimentação de 12 V em corrente contínua, com o terminal negativo conectado à massa.
- Não abrir as tampas . de cima e de baixo do aparelho.
- Não instalar o aparelho num local exposto à luz solar direta ou calor e umidade excessivos. Evitar também locais com poeira em demasia ou a possibilidade de pingos de água.
- Ao trocar um fusível, deve-se utilizar somente um novo com a potência nominal prescrita (como está escrito no estojo). Usar um fusível com potência nominal errada pode causar mau funcionamento do aparelho.
- Para evitar curtos-circuitos ao trocar um fusível, primeiro deve-se desconectar a fiação.

NOTA

- Se aparecerem problemas durante a instalação, consulte o seu concessionário Kenwood.
- Se isto não resolver o problema, consulte o seu concessionário Kenwood.

Este produto não é instalado pelo fabricante de um veículo na linha de produção, nem pelo importador profissional de um veículo para um Estado Membro da UE.

Informação sobre a forma de deitar fora Equipamento Eléctrico ou Electrónico Velho (aplicável nos países da UE que adoptaram sistemas de recolha de lixos separados)



Produtos com o símbolo (caixote do lixo com um X) não podem ser deitados fora junto com o lixo doméstico. Equipamentos eléctricos ou electrónicos velhos deverão ser reciclados num local capaz de o fazer bem assim como os seus subprodutos. Contacte as autoridades locais para se informar de um local de reciclagem próximo de si. Reciclagem e tratamento de lixo correctos ajudam a poupar recursos e previnem efeitos prejudiciais na nossa saúde e no ambiente.

Para Limpar o Aparelho

Caso a superfície do aparelho esteja suja, limpá-la com um pano de silício ou um trapo macio seco, após desconectá-lo da fonte de energia.

▲ CUIDADO

Não limpe o painel com um pano áspero ou com um pano embebido com solventes voláteis tais como dissolventes de tintas ou álcool. Eles podem arranhar a superfície do painel e/ou fazer com que as letras indicadoras descasquem.

Para impedir a descarga da bateria

Quando utilizar a unidade na posição ACC ON sem ligar o motor, descarrega a bateria. Utilize-a depois de ligar o motor.

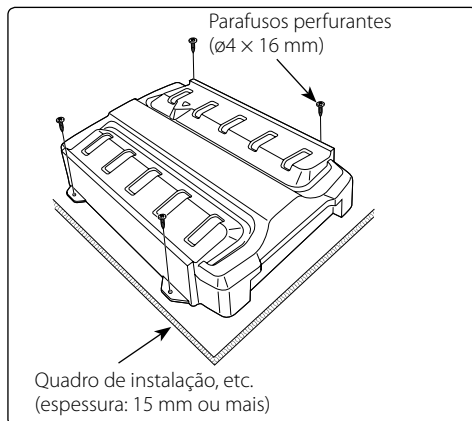
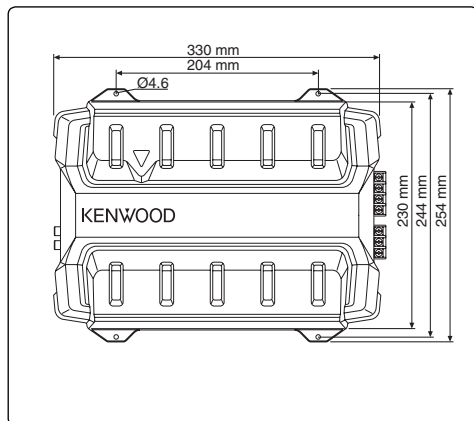
Função de protecção

Existe uma função de protecção instalada na unidade para proteger a unidade e as colunas contra vários problemas. Quando a protecção funcionar, o indicador informa-o do estado. (Consulte a página 77)

Acessórios

Denominação	Vista externa	Quantidade
Parafusos perfurantes (ø4 × 16 mm)		4
Tampa de terminal (Borne d'alimentation)		1
Câble d'entrée de niveau d'enceinte		1

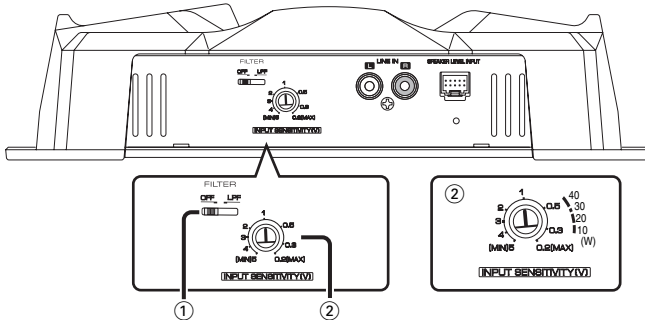
Instalação



▲ CUIDADO

- Não instale nos locais abaixo;
(Local instável; Num local que interfira com a condução; Num local húmido; Num local poeirento; Num local quente; Num local sujeito aos raios solares; Num local sujeito a ar quente)
- Não instale este aparelho debaixo dum tapete. Caso contrário o aumento de temperatura pode danificar este aparelho.
- Instale este aparelho num local com fácil dissipação de calor.
Uma vez instalado, não coloque nada sobre o aparelho.
- A temperatura da superfície do amplificador subirá durante o funcionamento. Instale o amplificador num local onde pessoas, resinas e outras substâncias sensíveis ao calor não entrem em contacto com ele.
- Ao fazer um orifício debaixo de um assento, no porta-bagagens, ou em qualquer outro ponto da viatura, verifique se não há perigo do outro lado, tal como depósito de gasolina, tubagem de travões, cablagens eléctricas, e tome o cuidado de não fazer riscos ou outros danos.
- Não instale perto do painel de instrumentos, tabuleiro posterior, ou partes de segurança dos air-bags.
- A instalação na viatura deverá ser feita firmemente num local que não obstrua a condução. Se o aparelho se soltar em consequência de um choque e atingir uma pessoa ou um elemento de segurança, poderá provocar ferimentos ou um acidente.
- Depois de instalar o aparelho, confirme que o equipamento eléctrico, tais como lâmpadas de freio, indicadores de direcção do automóvel e o limpador do pára-brisas estão funcionando adequadamente.

Controles / Indicação



① Comutador de filtragem (FILTER)

Este comutador permite a filtragem dos sinais de saída dos altifalantes.

• Posição OFF:

O som original sem filtragem é emitido.

• Posição de filtragem de baixa passagem (LPF):

Somente as frequências de 80 Hz ou menos são emitidas. (as frequências acima de 80 Hz são suprimidas.)

A saída de altifalante é automaticamente activada como monofónica (L+R) e a função de reforço de graves é activada também.

② Controlo de sensibilidade de entrada (INPUT SENSITIVITY)

Ajustar este controlo de acordo com o nível de pré-saída da unidade central conectada a esta unidade, ou com a saída de potência máxima do equipamento estereofónico genuíno do automóvel.

Usar a ilustração à direita como referência.

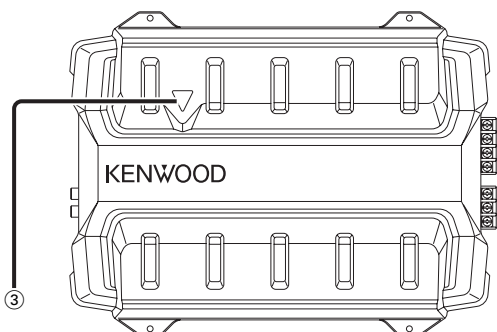
NOTA

Para o nível de pré-saída ou saída de potência máxima, referir-se a <Especificações> no manual de instruções da unidade central.

③ Indicação de alimentação

Quando a alimentação é ligada, esta indicação acende.

Caso a indicação de alimentação não acenda quando o aparelho é ligado, sua função de protecção pode ser activada. Verificar se há qualquer indício de problema.



■ **A função de protecção é activada nas seguintes situações:**

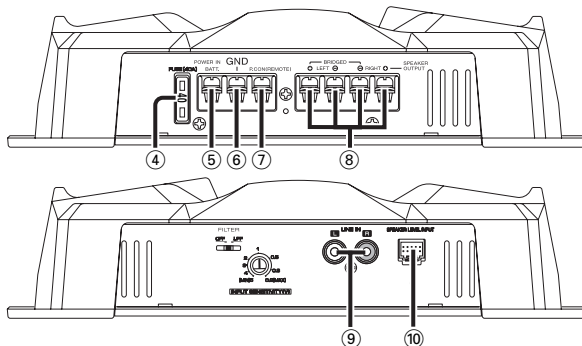
Este aparelho dispõe duma função de protecção para esta unidade e seus altifalantes, contra possíveis problemas e acidentes.

Quando esta função de protecção é activada, a indicação de alimentação apaga e o amplificador pára de funcionar.

- Quando um cabo de altifalante pode estar em curto-circuito.
- Quando a saída de altifalante entra em contacto com a massa.
- Quando do malfuncionamento do aparelho, com um sinal de corrente contínua enviado à saída de altifalante.
- Quando a temperatura interna for alta e a unidade não funcionar.
- Quando um cabo massa da unidade central (unidade magnetofónica, leitor de discos compactos digitais, etc.) ou este próprio aparelho não está conectado a uma peça de metal que serve como massa eléctrica a passar electricidade ao terminal negativo ⊖ da bateria.

Conexão

■ Nomes dos terminais



- ④ **Fusível (40 A)**
- ⑤ **Terminal de bateria (BATT)**
- ⑥ **Terminal de massa (GND)**
- ⑦ **Terminal de controlo de corrente (P.CON)**
Controla a activação/desactivação da unidade.

NOTA

Controla a corrente da unidade. Verifique se está ligado a todos os sistemas.

- ⑧ **Terminais de saída de altifalante (SPEAKER OUTPUT)**

• Ligações estereofónicas:

Quando desejar usar a unidade como amplificador estereofónico, serão usadas ligações estereofónicas.

As colunas de som para serem ligadas deverão possuir uma impedância de 2ohms ou maior. Quando estiverem para ser ligadas múltiplas colunas de som, assegure-se de que a impedância combinada seja 2ohms ou maior, para cada canal.

• Ligações em ponte:

Quando desejar usar a unidade como um amplificador monoaural de saída elevada, serão usadas ligações em ponte. (Faça as ligações para os terminais de saída das colunas de som (SPEAKER OUTPUT) do canal esquerdo (LEFT) ⊕ e do canal direito (RIGHT) ⊖)

As colunas de som para serem ligadas deverão possuir uma impedância de 4ohms ou maior. Quando estiverem para ser ligadas colunas de som múltiplas, assegure-se de que a impedância combinada seja de 4ohms ou maior.

⚠ CUIDADO

A entrada nominal dos altifalantes não deve ser menor que a saída máxima do amplificador. Caso contrário, isto pode resultar em mal funcionamento.

- ⑨ **Terminal de entrada de linha (LINE IN)**
- ⑩ **Terminal de entrada de nível de altifalante (SPEAKER LEVEL INPUT)**

NOTA

- O equipamento estereofónico genuíno do automóvel deve ter uma saída de potência máxima de pelo menos 40 W.
- Não conectar os condutores de saída de altifalante dum amplificador de potência (opcional) aos terminais de entrada de altifalante desta unidade, tendo em vista que isto pode resultar em malfuncionamento ou danos ao aparelho.
- Não conectar cabos e condutores juntos a tomadas de entrada de cabo RCA e terminais de entrada de altifalantes, tendo em vista que isto pode causar malfuncionamento ou danos ao aparelho.
- Conectar o condutor de controlo de alimentação a uma fonte de energia que pode ser ligada/desligada pela chave de ignição do automóvel (linha acessória). Com esta conexão um ruído de impacto pode ser gerado quando a alimentação do equipamento estereofónico genuíno do automóvel é ligado/desligado.

■ Procedimento de instalação

Tendo em vista que há uma grande variedade de ajustes e conexões possíveis dependendo de sua aplicação, ler o manual de instruções detidamente para seleccionar o ajuste apropriado e a conexão correcta. O ajuste inadequado ou conexão incorrecta pode resultar em degradação sonora, geração de ruído ou até mesmo falta de som.

1. Remover a chave da ignição e desconectar o terminal negativo ⊖ da bateria para evitar curto-circuito.
2. Ajustar o aparelho de acordo com o modo desejado.
3. Conectar os cabos de entrada e saída das unidades.
4. Conectar os cabos de altifalante.
5. Conectar o cabo de alimentação, o cabo de controlo de alimentação e o cabo massa, nesta ordem.
6. Instale os acessórios de instalação da unidade.
7. Conectar o terminal negativo ⊖ da bateria.

▲ ADVERTÊNCIA

Para evitar incêndio devido a curto-circuito nos fios, conectar um elo fusível ou um disjuntor próximo ao terminal positivo + da bateria.

▲ CUIDADO

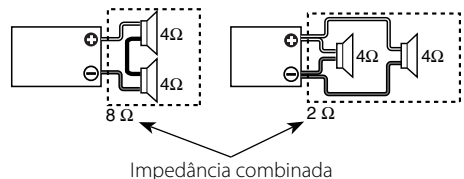
- Caso o som não seja emitido normalmente, desligar a alimentação imediatamente e verificar as conexões.
- Não deixe de desligar a alimentação antes de mudar o ajuste de qualquer um dos comutadores.
- No caso da queima dum fusível, verificar os cabos para ver se há curto-circuito, e substituir o fusível por um da mesma classe.
- Confirmar que não há cabos desconectados nem conectores em contacto com a carroceria do automóvel. Para evitar curto-circuito, não remover a cobertura dos cabos não conectados nem dos conectores.
- Conectar os cabos de altifalante aos conectores apropriados separadamente. O uso do cabo negativo do altifalante ou dos cabos de altifalante de massa em contacto com a carroceria do automóvel pode causar malfuncionamento deste aparelho.
- Depois de terminada a instalação, confirmar que as lâmpadas de freio, indicadores de direcção do automóvel e o limpador do pára-brisas estão funcionando adequadamente.

■ Cablagem

- Vá buscar o cabo da bateria desta unidade directamente à bateria. Se estiver ligado à instalação eléctrica do veículo, pode provocar o rebentamento dos fusíveis, etc.
- Caso um zumbido seja ouvido dos altifalantes com o motor funcionando, conectar um filtro de ruído de linha (opcional) a cada cabo de bateria.
- Não deixar o cabo em contacto directo com a borda da placa de ferro com o uso de ilhós.
- Conectar o cabo massa à parte metálica do chassis do automóvel que serve como massa eléctrica que passa electricidade ao terminal negativo ⊖ da bateria. Não ligar a alimentação sem que o cabo massa tenha sido conectado.
- Não se esqueça de instalar de um fusível de protecção no cabo de alimentação junto à bateria. O fusível de protecção deve ter a mesma capacidade do fusível da unidade ou superior.
- Para o cabo de alimentação e a ligação à terra, utilize um cabo de alimentação do tipo de veículo (à prova de fogo) com uma capacidade superior à capacidade do fusível da unidade. (Utilize um cabo de alimentação com um diâmetro de 5 mm² (AWG 10) ou superior.
- Quando são usados mais de um amplificador de potência, use um cabo de alimentação e fusível de protecção de capacidade superior à corrente máxima utilizada por cada amplificador.

■ Seleção de Altifalantes

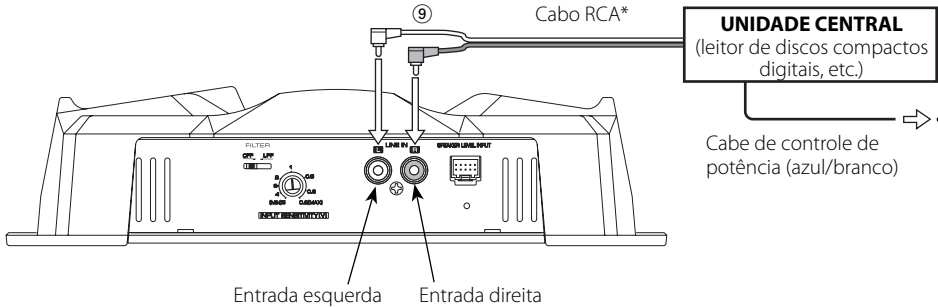
- A potência de saída nominal dos altifalantes que vão ser ligados deverá ser superior à potência máxima (em Watts) do amplificador. A utilização de altifalantes com potência nominal de entrada inferior à potência de saída do amplificador, provocará a emissão de fumos bem como danos.
- A impedância dos altifalantes que vão ser ligados deverá ser 2Ω ou superior (para ligações estéreo), ou 4Ω ou superior (para ligações em ponte). Quando pretender usar mais de um jogo de altifalantes, calcule a impedância combinada dos altifalantes e depois ligue altifalantes apropriados ao amplificador.



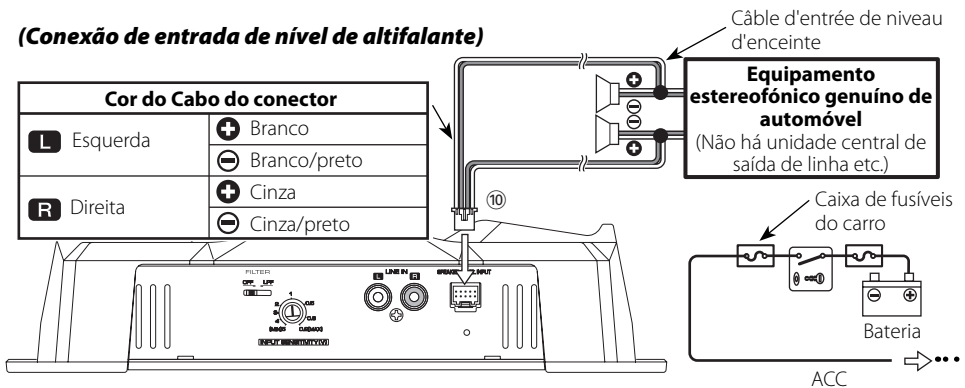
Conexão

■ Ligação Cabo RCA ou Entrada de nível do altifalante

(Conexão de cabo RCA)

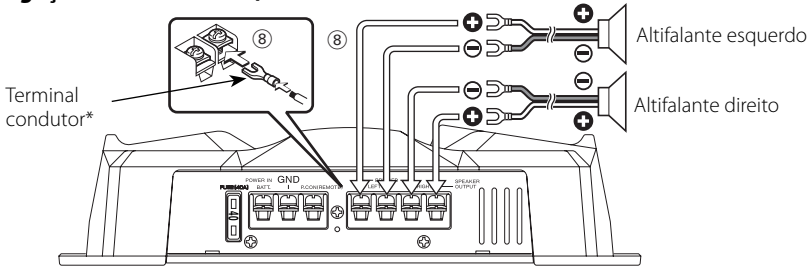


(Conexão de entrada de nível de altifalante)

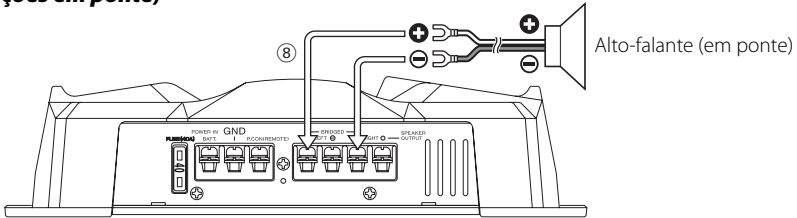


■ Conexão do cabo dos altifalantes

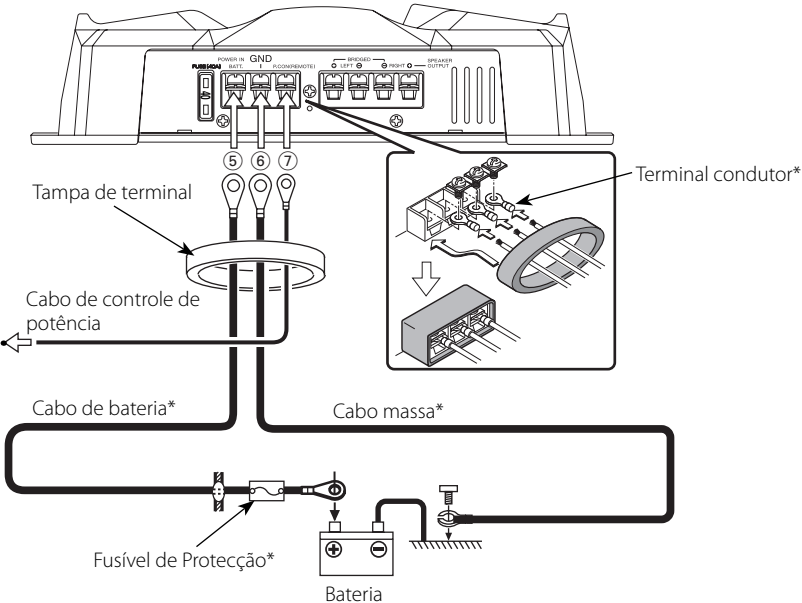
(Ligações estereofónicas)



((Ligações em ponte))

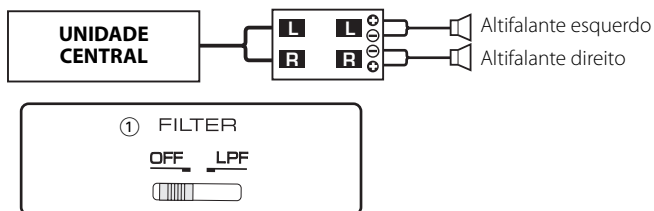


■ Conexão do cabo de corrente

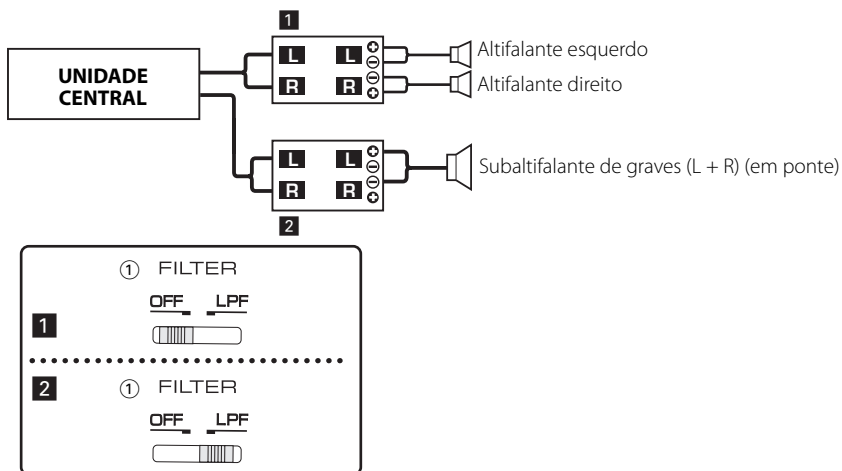


Exemplos de sistema

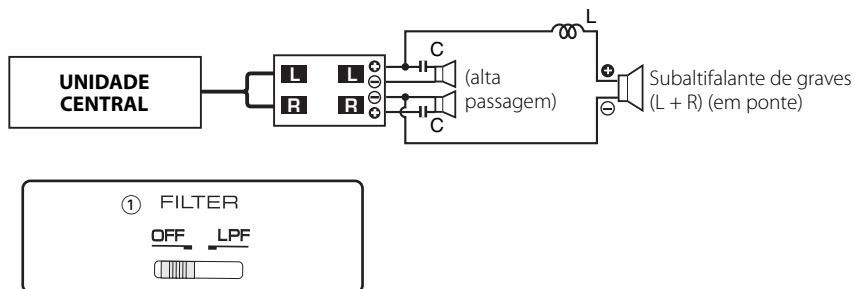
■ Sistema de 2 canais



■ Sistema de 2 canais + subaltifalante de graves

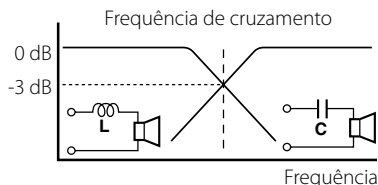


■ Trimodo



● Princípio do trimodo

Método de divisão de faixa de frequência com bobina e capacitor ... No caso duma subida de 6 dB/oitava.



Bobina (L): Permite a passagem das baixas frequências e bloqueia as frequências altas. (baixa passagem)

Capacitor (C): permite a passagem das altas frequências e bloqueia as frequências baixas. (alta passagem)

$$L = \frac{159 \times R}{f_c} \text{ (mH)}$$

f_c = Corte de frequência (Hz)

$$C = \frac{159000}{f_c \times R} \text{ (}\mu\text{F)}$$

R = Impedância de altifalante (Ω)

● Exemplo:

Quando é necessário ajustar uma frequência de 120 Hz com altifalantes com impedância de 4 Ω .

Preparar uma bobina e um capacitor comercialmente disponíveis com os ajustes mais próximos dos resultados calculados através da fórmula acima indicada. O ajuste do capacitor deve ser o mais próximo possível de 331,25 (μ F) e o ajuste da bobina deve ser o mais próximo possível de 5,3 (mH).

▲ CUIDADO

- Caso se deseje conectar um altifalante por ponte como, a impedância do altifalante deve ser de pelo menos 4 Ω . A conexão de altifalantes com impedância inferior a 4 Ω pode resultar em avaria.
- Certifique-se que liga capacitores aos altifalantes pelos quais passarão altas frequências. Caso não o faça, provocará uma queda de impedância combinada com o altifalante de sub-baixos.
- Certifique-se a voltagem fornecida e as especificações dos capacitores (C) e bobines (L) são suficientes.

Guia de Diagnóstico

O que pode parecer como defeito ou mau funcionamento no seu aparelho pode ser apenas o resultado de uma pequena falha de operação ou na fiação. Antes de chamar um técnico para consertá-lo, verifique primeiro na seguinte tabela os possíveis problemas.

PROBLEMA	CAUSA PROVÁVEL	SOLUÇÃO
Ausência de som (não há som num lado) (Fusível queimado)	<ul style="list-style-type: none">• O cabo de entrada/saída está desconectado.• O circuito de protecção pode estar activado.• O volume está demasiado alto.• O cabo do altifalante está em curot-circuito.	<ul style="list-style-type: none">• Conectar correctamente o cabo de entrada/saída.• Verificar as conexões referindo-se à <Função de protecção>.• Substitua o fusível e use menor volume.• Depois de verificar o fio do altifalante e de rectificar a causa do curot-circuito, substitua o fusível.
O nível de saída é muito baixo (ou alto).	<ul style="list-style-type: none">• O controlo de ajuste de sensibilidade de entrada não está ajustado à posição correcta.	<ul style="list-style-type: none">• Ajustar o controlo correctamente conforme indicado em <Controles>.
A qualidade do som é baixa. (o som sai destorcido)	<ul style="list-style-type: none">• Os cabos de altifalantes estão conectados com a polaridade ⊕ / ⊖ invertida.• Um cabo de altifalante está prensado por um parafuso na carroceria do automóvel.• Os comutadores podem estar ajustados incorrectamente.	<ul style="list-style-type: none">• Conectá-los apropriadamente verificando a polaridade ⊕ / ⊖ dos terminais e os cabos também.• Conectar o cabo de altifalante novamente de modo que não fique prensado por nada.• Ajustar os comutadores apropriadamente de acordo com <Exemplos de sistema>.

Especificações

As especificações podem ser alteradas sem prévia notificação.

Seção de áudio

Saída de potência máxima	600 W
Saída de potência nominal	
Normal (4 Ω) (DIN : 45324 , +B = 14,4V)	100 W × 2
Normal (2 Ω) (1 kHz, 1 % THD).....	150 W × 2
Em ponte (4 Ω) (1 kHz, 1 % THD)	300 W × 1
Resposta de frequência (+0, -3 dB).....	10 Hz – 50 kHz
Sensibilidade (saída nominal) (MÁX.)	0,2 V
(MÍN.)	5,0 V
Relação sinal/ruído.....	100 dB
Impedância de entrada	10 kΩ
Frequência de filtro de baixa passagem (12 dB/oitava).....	80 Hz

Geral

Tensão operacional.....	14,4 V (11 – 16 V tolerável)
Consumo de energia	40 A
Dimensões de instalação (L × A × P)	330 × 60 × 230 mm
Peso	2,7 kg (6,0 lbs)

KENWOOD

Free Manuals Download Website

<http://myh66.com>

<http://usermanuals.us>

<http://www.somanuals.com>

<http://www.4manuals.cc>

<http://www.manual-lib.com>

<http://www.404manual.com>

<http://www.luxmanual.com>

<http://aubethermostatmanual.com>

Golf course search by state

<http://golfingnear.com>

Email search by domain

<http://emailbydomain.com>

Auto manuals search

<http://auto.somanuals.com>

TV manuals search

<http://tv.somanuals.com>