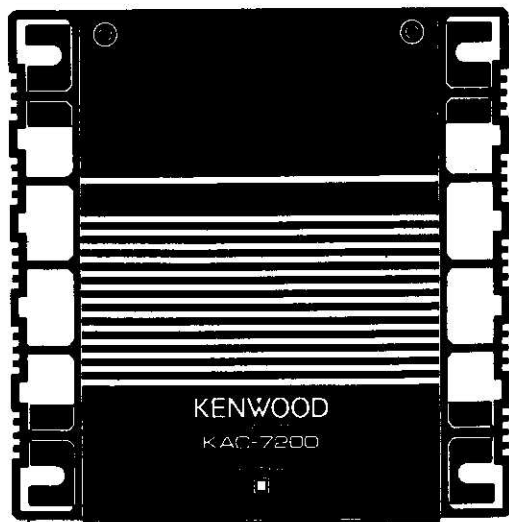


STEREO POWER AMPLIFIER

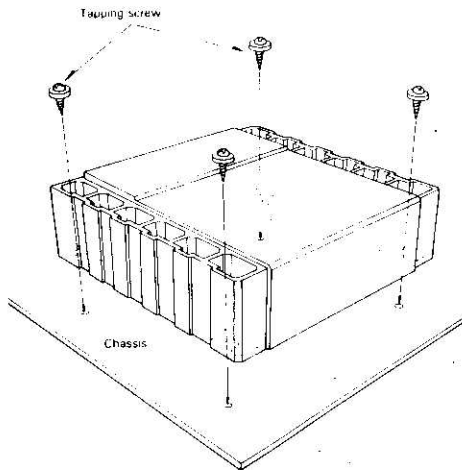
KAC-7200

INSTRUCTION MANUAL



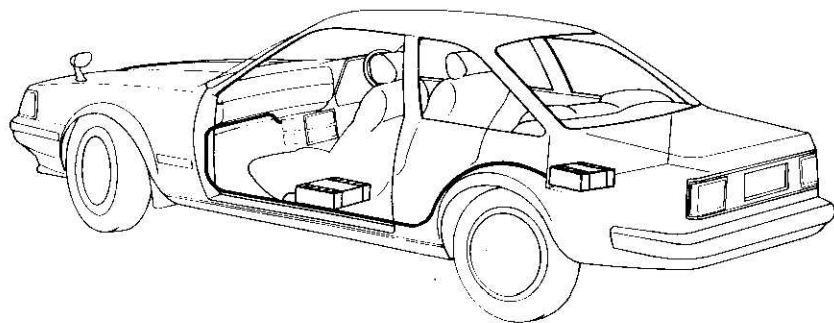
INSTALLATION

- When installing to the car, decide the best position by giving proper consideration of the system as a whole and ease of safety.

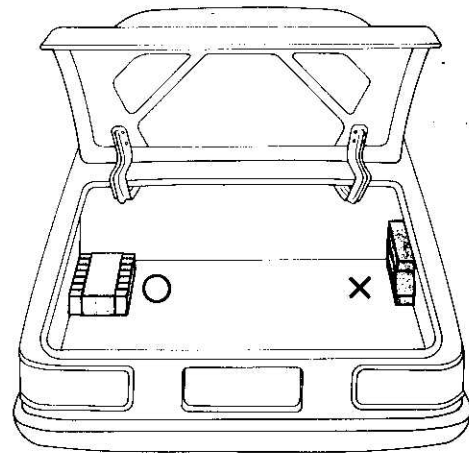


- Use screws supplied as accessories when installing the unit.

- Since the main amplifier has no parts which require operation, it can be installed at a position away from the driver's seat without any hinderances. But due to its considerable weight, it needs to be installed securely.
- As generally accepted positions for its installation, places such as under the front seat or inside the trunk, etc. can be considered.



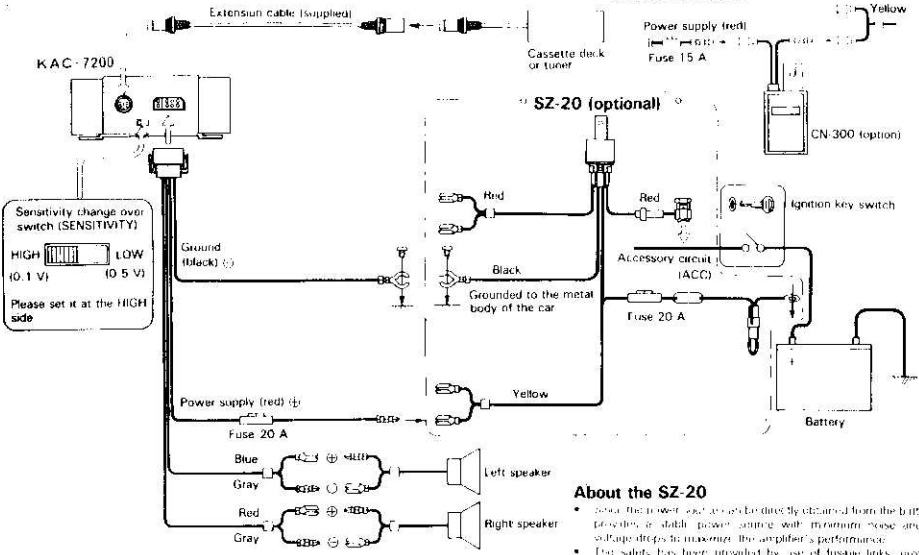
- Use the extension cables, CA-18F (1 m), CA-28F (2 m), and CA-48F (4 m) (optional) when the connected models are to be installed away from the main amplifier.



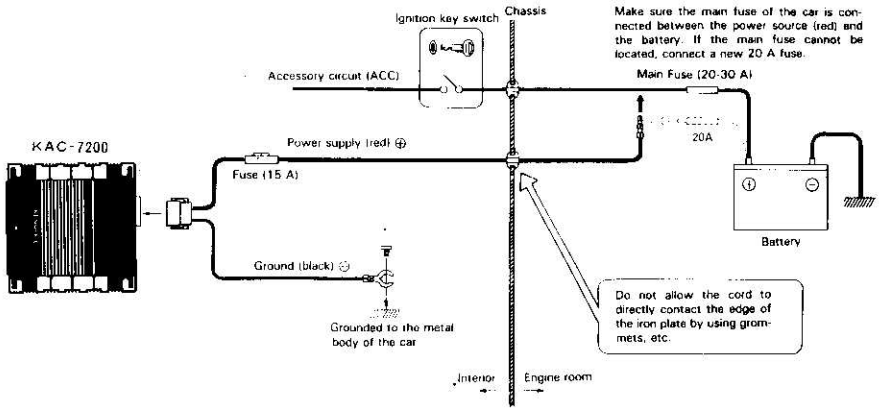
- When installing this unit in the trunk, place it with its heat radiation holes facing upwards to maximize their effect. Do not cover the upper and lower side of heat radiation holes.

CONNECTION

If you hear a noise when starting the engine, connect the line noise filter CN 300 (optional) to the power source (red) of this unit.



* When SZ 20 is not being used, connect the power supply as follows:



Precautions

Since the electrical consumption of this unit is large, obtaining power source from wirings such as those of built in cigarette lighters will overload the wiring of the car. Make sure to either use SZ-20 (optional) or connect the power source (red) to a position with sufficient current capacity such as the point immediately next to the car's main fuse, as shown in the illustration above. (Be sure that the fuse is positioned between the battery and the unit)

- Before starting to install the set, make sure to remove the negative (-) terminal of the battery in order to prevent shortcircuiting.
- When installation and wiring are completed, connect the negative (-) terminal of the battery after confirming that there are no errors.
- When a fuse is blown out, check for any shortcircuiting of cords, and then replace it with a fuse having the specified capacity.

SPECIFICATIONS

Specifications subject to change without notice

AUDIO

- Power output 45 W/ch into 4 ohms, 1 kHz
at 10% THD,
- * Power output 35 W/ch into 4 ohms,
20 Hz - 60,000 Hz at 0.5% THD,
- * Power output 30 W/ch into 4 ohms,
20 Hz - 60,000 Hz at 0.03% THD,
- * Minimum THD (1 kHz, 4 ohms) 0.007%
- * Frequency Response 5 Hz - 200,000 Hz (± 3 dB)
- * Signal/Noise Ratio (A Weighted) 98 dB
- * Sensitivity (High) 16 mV for 1 W output,
- * Sensitivity (Low) 80 mV for 1 W output,
- * Sensitivity (High) 100 mV for rated output,
- * Sensitivity (Low) 500 mV for rated output,
- * Minimum Input Impedance 10 k ohms

General

- Operating Voltage 14.4 V (11 V - 16 V)
- Current Consumption 9.0 A for rated output,
- Dimensions (W x H x D) 150 x 54 x 152 mm
- Weight 1.5 kg
- (* ... EIA Standard)

Take the time to read through this instruction manual. Familiarity with installation and operation procedures will help you obtain the best performance from your new power amplifier.

FOR YOUR RECORDS

Record the serial number found on the bottom of the unit in the spaces designated on the warranty card and in the space provided below. Refer to the model and serial numbers whenever you call upon your KENWOOD dealer for information or service on this product.

Model KAC-7200 Serial number _____

CARE & MAINTENANCE

- The power source of this unit is exclusively DC 12 V, negative ground. If you wish to mount the unit on a vehicle with DC 24 V, please consult your appointed KENWOOD dealer.
- Do not place the amplifier in a place where the amplifier may be exposed to direct sunlight, heat or moisture. Be careful that metal objects and water do not enter the set.
- If you have difficulty in installing the set in your car, please contact your KENWOOD dealer.

Cleaning

Clean with a dry silicone cloth or a soft colth. The use of thinner, alcohol or other solvents may damage the surface finish.

KENWOOD

PRINTED IN JAPAN B50-4823-00 (P) (T)

12345/555 6789ON/556

Free Manuals Download Website

<http://myh66.com>

<http://usermanuals.us>

<http://www.somanuals.com>

<http://www.4manuals.cc>

<http://www.manual-lib.com>

<http://www.404manual.com>

<http://www.luxmanual.com>

<http://aubethermostatmanual.com>

Golf course search by state

<http://golfingnear.com>

Email search by domain

<http://emailbydomain.com>

Auto manuals search

<http://auto.somanuals.com>

TV manuals search

<http://tv.somanuals.com>