

KENWOOD

KAC-X650D KAC-PS650D

5-CHANNEL POWER AMPLIFIER ▶ page 2-15

INSTRUCTION MANUAL

AMPLIFICATEUR DE PUISSANCE 5 CANAUX ▶ page 16-29

MODE D'EMPLOI

AMPLIFICADOR DE POTENCIA DE 5 CANALES ▶ página 30-43

MANUAL DE INSTRUCCIONES

KENWOOD CORPORATION



**Take the time to read through this instruction manual.
Familiarity with installation and operation procedures will help
you obtain the best performance from your new power amplifier.**

For your records

Record the serial number, found on the back of the unit, in the spaces designated on the warranty card, and in the space provided below. Refer to the model and serial numbers whenever you call upon your KENWOOD dealer for information or service on the product.

Model KAC-X650D/PS650D Serial number _____

© PRINTED IN JAPAN B64-2270-00 (KM / EM)

Safety precautions

▲WARNING

To prevent injury or fire, take the following precautions:

- When extending the ignition, battery, or ground wires, make sure to use automotive-grade wires or other wires with a 8mm² (AWG8) or more to prevent wire deterioration and damage to the wire coating.
- To prevent a short circuit, never put or leave any metallic objects (such as coins or metal tools) inside the unit.
- If the unit starts to emit smoke or strange smells, turn off the power immediately and consult your Kenwood dealer.
- Do not touch the unit during use because the surface of the unit becomes hot and may cause burns if touched.

▲CAUTION

To prevent damage to the machine, take the following precautions:

- Be sure the unit is connected to a 12V DC power supply with a negative ground connection.
- Do not open the top or bottom covers of the unit.
- Do not install the unit in a spot exposed to direct sunlight or excessive heat or humidity. Also avoid places with too much dust or the possibility of water splashing.
- When replacing a fuse, only use a new one with the prescribed rating. Using a fuse with the wrong rating may cause your unit to malfunction.
- To prevent a short circuit when replacing a fuse, first disconnect the wiring harness.

NOTE

- If you experience problems during installation, consult your Kenwood dealer.
- If the unit does not seem to be working right, consult your Kenwood dealer.

FCC WARNING

This equipment may generate or use radio frequency energy. Changes or modifications to this equipment may cause harmful interference unless the modifications are expressly approved in the instruction manual. The user could lose the authority to operate this equipment if an unauthorized change or modification is made.

NOTE

This Class B digital apparatus complies with Canadian ICES-003.

Cleaning the unit

If the front panel gets dirty, turn off the power and wipe the panel with a dry silicon cloth or soft cloth.

▲CAUTION

Do not wipe the panel with a hard cloth or a cloth dampened by volatile solvents such as paint thinner and alcohol. They can scratch the surface of the panel and/or cause the indicator letters to peel off.


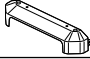




To prevent batter rise

When the unit is used in the ACC ON position without turning the engine ON, it depletes the battery. Use it after starting the engine.

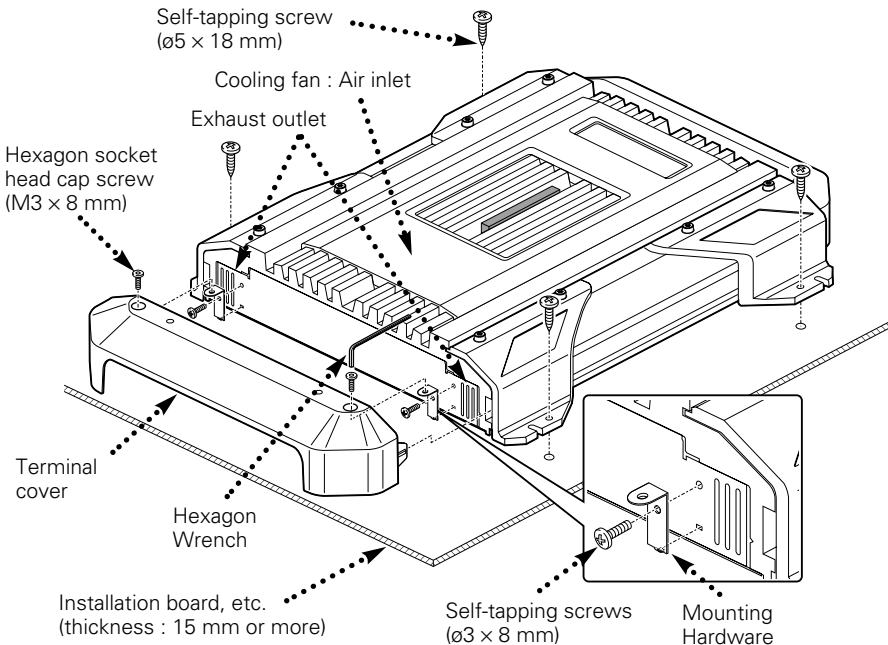
Protection function

There is a Protection function installed in the unit to protect the unit and speakers from various problems. When Protection operates, the indicator informs you of the condition. (Refer to page 6)

Accessories

Part name	External View	Number of Items
Self-tapping screws (ø5 × 18 mm)		4
Terminal cover		2
Mounting Hardware		4
Hexagon socket head cap screw (M3 × 8 mm)		4
Self-tapping screws (ø3 × 8 mm)		4
Hexagon Wrench		1

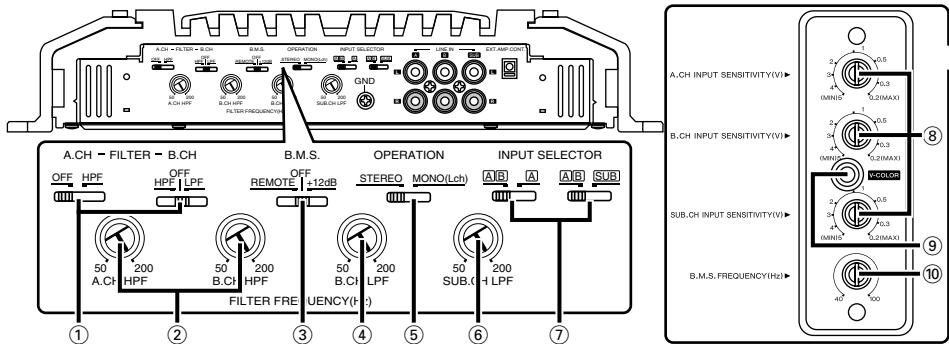
Installation



1. Install the installation fittings in the unit.
2. Attach the unit.
3. Install the terminal cover.

▲ CAUTION

- Do not install in the below locations;
(Unstable location, In a location that interferes with driving, In a location that gets wet, In a dusty location, In a place that gets hot, In a place that gets direct sunlight, In a location that gets hit by hot air)
- Do not install the unit under the carpet. Otherwise heat build-up occurs and the unit may be damaged.
- Install this unit in a location which allows heat to easily dissipate.
Once installed, do not place any object on top of the unit.
- The surface temperature of the amplifier will become hot during use. Install the amplifier in a place where people, resins, and other substances that are sensitive to heat will not come into contact with it.
- This unit has cooling fans to decrease the internal temperature. Be careful not to block the cooling fan openings when installing the unit. Blocking these openings will inhibit the cooling of the internal temperature and result in malfunction.
- When making a hole under a seat, inside the trunk, or somewhere else in the vehicle, check that there is nothing hazardous on the opposite side such as a gasoline tank, brake pipe, or wiring harness, and be careful not to cause scratches or other damage.
- Do not install near the dashboard, rear tray, or air bag safety parts.
- The installation to the vehicle should securely fasten the unit to a place in which it will not obstruct driving. If the unit comes off due to a shock and hits a person or safety part, it may cause injury or an accident.
- After installing the unit, check to make sure that electrical equipment such as the brake lamps, turn signal lamps and windshield wipers operate normally.



The unit is a 5-channel amplifier incorporating 2 stereo amplifiers and 1 monaural amplifier in a single body.

The stereo amplifier on one side is called amplifier A, while the one on the other side is amplifier B. The monaural amplifier is called the amplifier SUB.

This unit is compatible with a large variety of systems by combining the switches and functions described in the following.

About D-class (SUB.CH)

A D-class amplifier uses an inaudible frequency as a switching pulse to change the pulse width to represent the music signal. (Pulse Width Modulation: P.W.M.)

⑧ INPUT SENSITIVITY control (A.CH/B.CH/SUB.CH)

Adjust this control according to the pre-out level of the center unit connected to this amplifier.

The sensitivities of amplifiers A, B and SUB can be adjusted independently regardless of the position of the input selector switch.

NOTE

Refer to "Specifications" on the center unit's instruction manual about the pre-out level.

⑤ OPERATION switch

This switch is used to select the operation mode of the amplifier. This setting is valid for both the amplifier A and B.

• STEREO position:

The amplifier can be used as a stereo amplifier.

• MONO (Lch) position:

Amplifies the signal input from the left side only. Set to this position and make bridged connections to use as a high-power

monaural amplifier. (The input right signal is not output.)

① FILTER switch (A.CH/B.CH)

This switch allows to apply high-pass or low-pass filtering to the speaker outputs.

• HPF (High-Pass Filter) position:

The filter outputs the band of higher frequencies than the frequency set with the HPF FREQUENCY control.

• OFF position:

The entire bandwidth is output without filtering.

• LPF (Low-Pass Filter) position: (B.CH only)

The filter outputs the band of lower frequencies than the frequency set with the LPF FREQUENCY control.

The speaker output is automatically turned monaural (L+R) and the bass boost function is activated.

② HPF FREQUENCY control (A.CH/B.CH)

Sets the cutoff frequency when the FILTER switch is set to HPF.

④ B.CH LPF FREQUENCY control

Sets the cutoff frequency when the FILTER switch is set to LPF.

⑥ SUB.CH LPF FREQUENCY control

This control adjusts the frequency band output from this amplifier SUB.

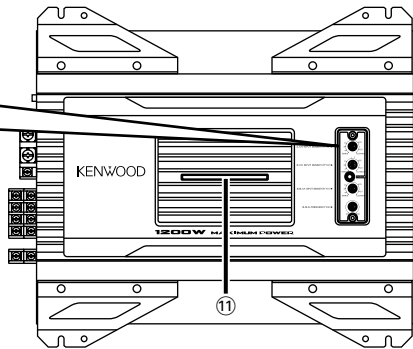
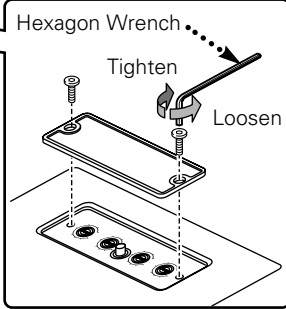
⑦ INPUT SELECTER switch (AB/A)

This switch toggles the input signal of amplifier B.

• AB position:

The input for terminal A is output from amplifier A, while the input for terminal B is output from amplifier B.

Removing the cover



• A position:

The input for terminal A is output from amplifiers A and B.

(AB/SUB)

This switch toggles the input signal of amplifier SUB.

• AB position:

The input for terminals A and B input is mixed and output from amplifier SUB.

• SUB position:

The input for the SUB terminal is output by amplifier SUB.

③ B.M.S. (Bass management system) switch

Bass boost centered on the frequency set by the B.M.S. FREQUENCY control.

The B.M.S. only applies to the amplifier SUB.

• +12 position:

Bass boost +12 dB

• OFF position:

Bass boost OFF

• REMOTE position:

Controls the B.M.S. from the Kenwood center unit. (Refer to page 5)

⑩ B.M.S. FREQUENCY control

When the B.M.S. switch is set on "+12dB/" "REMOTE" the emphasized center frequency is adjusted.

⑨ V-COLOR (Variable color) button

Select the ON color for the indicator.

Every time the button is pressed, 7 fixed colors and the variable color change.

The color can't be set when the indicator is blinking.

■ Controlling the B.M.S. from the Kenwood center unit (B.M.S. : Bass management system)

When the B.M.S. switch is set in the remote position, the bass boost amount and frequency offset can be controlled from the center unit.

• Bass boost

Center unit display	Setting
"Flat"/"OFF"/"1"	Bass boost OFF (Flat)
"+6"/"0"/"2"	Bass boost +6 dB
"+12"/"2"/"3"	Bass boost +12 dB
"+18"/"3"/"4"	Bass boost +18 dB

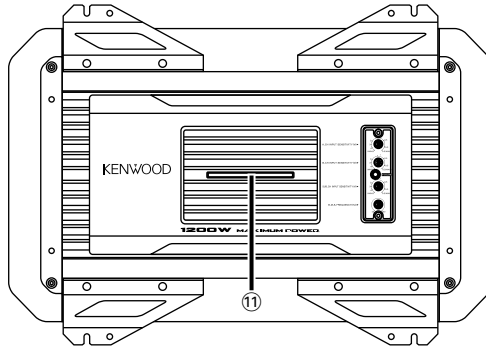
• Frequency offset

Center unit display	Setting
"Normal"	It is the B.M.S. FREQUENCY control adjustment value.
"Low"	The central frequency is 20-30% low.

NOTE

For the center unit control method and setting display, refer to the Instruction Manual for the center unit.

There may be cases when the center unit can't set the "Bass boost +18dB" or "Frequency Offset".



■ Indicator ⑪

You are notified of the unit's condition and malfunction (Protection function) by the indicator.

• ON or color change in order.

When operation is normal

NOTE

The color you want can be selected with the variable color button.

• The color blinks blue

- When during operation
- When the center unit/B.M.S. switch controls the B.M.S.

• The color blinks yellow

When the power voltage is less than 11V.

NOTE

The cause may be one of the below times.

- When the vehicle battery is weak.
- When the battery capacity is low.
- When the battery cord is worn.
- When the battery wire is too small or too long and can't supply enough current.

• The color blinks purple

When the unit has failed and direct current voltage is generated to the speaker's output.

NOTE

Turn the power OFF and release the protection. If the indicator doesn't quit blinking, contact your Kenwood dealer.

• The color blinks red

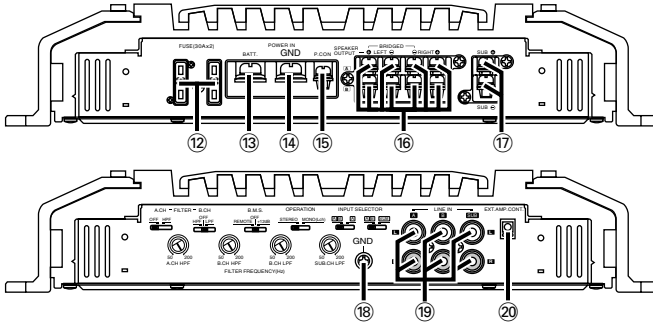
When the inside of the unit is overheating.

• The color blinks green

- When the speaker cord is shorted.
- When the speaker output is in contact with the vehicle ground.

Connection

Terminal names



⑫ **Fuse (30 A × 2)**

⑬ **Battery terminal**

⑭ **Ground terminal**

⑮ **Amplifier A/B speaker output terminals**

• **Stereo Connections:**

When you wish to use the unit as a stereo amplifier, stereo connections are used. The speakers to be connected should have an impedance of 2Ω or greater. When multiple speakers are to be connected, ensure that the combined impedance is 2Ω or greater for each channel.

• **Bridged Connections:**

When you wish to use the unit as a high-output monaural amplifier, bridged connections are used. (Make connections to the LEFT channel ⊕ and the RIGHT channel ⊖ SPEAKER OUTPUT terminals.) The speakers to be connected should have an impedance of 4Ω or greater. When multiple speakers are to be connected, ensure that the combined impedance is 4Ω or greater.

▲CAUTION

The rated input of the speakers should be no less than the maximum output of the amplifier. Otherwise malfunction may result.

⑰ **Amplifier SUB speaker output terminal**

As this unit accepts speakers with a minimum impedance of 2 ohms, connect speakers with 2-ohm or higher impedance to these terminals.

⑱ **RCA cable ground lead terminal**

When using an RCA cable with a ground lead attached, connect the ground lead to this terminal.

⑲ **A.CH/B.CH/SUB.CH LINE IN terminal**

⑲ **Power control terminal**

Controls the unit ON/OFF.

NOTE

Controls the unit power. Be sure to connect it with all the systems.

⑳ **EXT.AMP.CONT. (external amplifier control) terminal**

Controls the B.M.S. Only Kenwood center unit models sold in 1999 or later with a "EXT.CONT.,"/"EXT.AMP.CONT." wire attached can be used.

Also, a maximum of 3 power amplifiers can be operated at the same time.

NOTE

There are cases when operation may not be possible due to wiring wire type and length.

Connection

■ Installation procedure

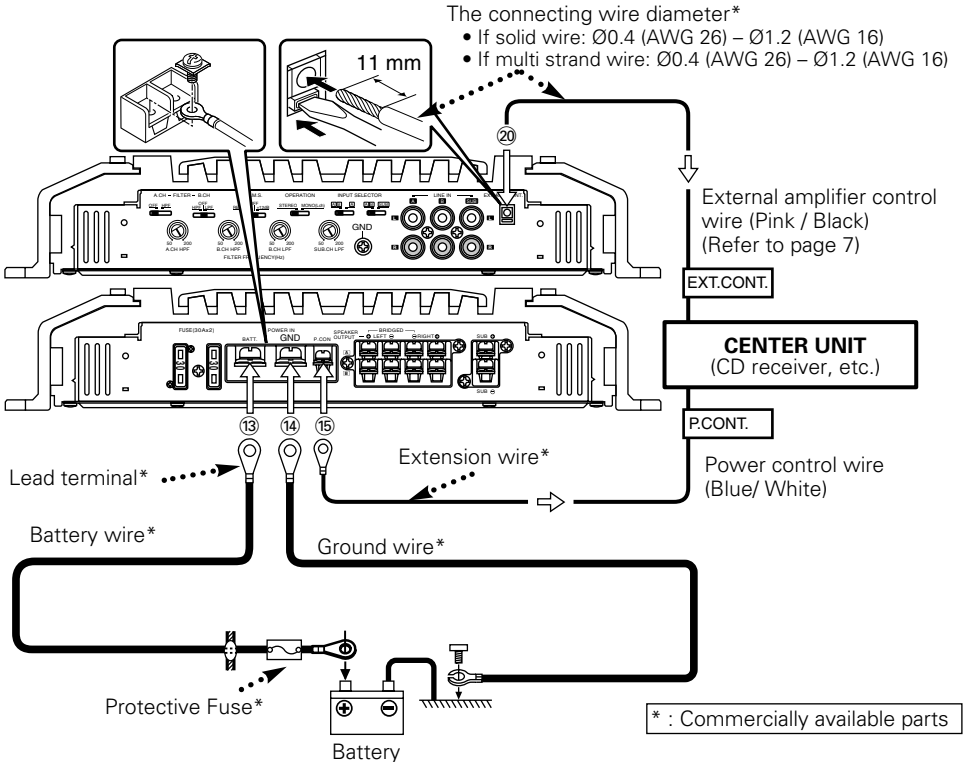
Since there are large variety of settings and connections possible according to applications, read the instruction manual well to select the proper setting and connection.

1. Remove the ignition key and disconnect the negative ⊖ terminal of the battery to prevent short circuits.
2. Set the unit according to the intended usage.
3. Connect the input and output wires of the units.
4. Connect the speaker wires.
5. Connect the power wire, power control wire and grounding wire following this order.
6. Install the unit in the car.
7. Connect the negative ⊖ terminal of the battery.

▲CAUTION

- If sound is not output normally, immediately turn power off and check connections.
- Be sure to turn the power off before changing the setting of any switch.
- If the fuse blows, check wires for shorts, then replace the fuse with one of the same rating.
- Check that no unconnected wires or connectors are touching the car body. Do not remove caps from unconnected wires or connectors to prevent short circuits.
- Connect the speaker wires to appropriate speaker connectors separately. Sharing the negative wire of the speaker or grounding speaker wires to the metal body of the car can cause this unit to fail.
- After installation, check that the brake lamps, wipers, and wipers work properly.

■ Power wire connection



▲WARNING

To prevent fire caused by a short in the wiring, connect a fusible link or breaker nearby the battery's positive terminal.

Wiring

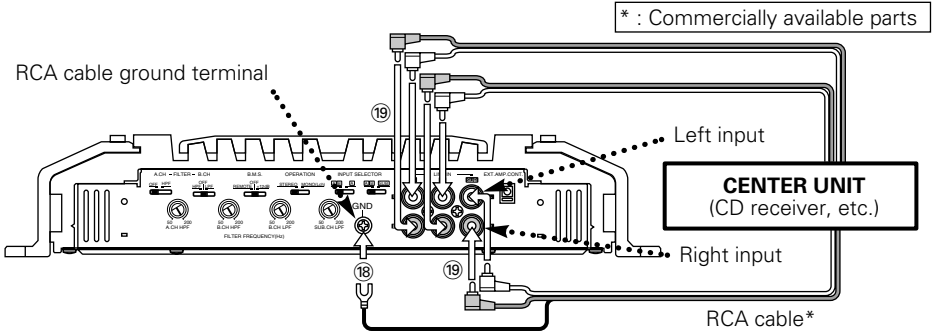
- Take the battery wire for this unit directly from the battery. If it's connected to the vehicle's wiring harness, it can cause blown fuses etc.
- If a buzzing noise is heard from the speakers when the engine is running, connect a line noise filter (optional) to each of the battery wire.
- Do not allow the wire to directly contact the edge of the iron plate by using Grommets.
- Connect the ground wire to a metal part of the car chassis that acts as an electrical ground passing electricity to the battery's negative \ominus terminal. Do not turn the power on if the ground wire is not connected.
- Be sure to install a protective fuse in the power cord near the battery. The protective fuse should be the same capacity as the unit's fuse capacity or somewhat larger.
- For the power cord and ground, use a vehicle type (fireproof) power wiring cord with a current capacity greater than the unit's fuse capacity. (Use a power wiring cord with a diameter of 8 mm² (AWG 8) or greater.)
- When more than one power amplifier are going to be used, use a power supply wiring wire and protective fuse of greater current-handling capacity than the total maximum current drawn by each amplifier.

EXT.AMP.CONT. (external amplifier control) terminal ⑳

1. Peel the cladding of wire for a length of 11mm from the end.
2. While pressing the lock release button with a slotted screwdriver, insert the wire.

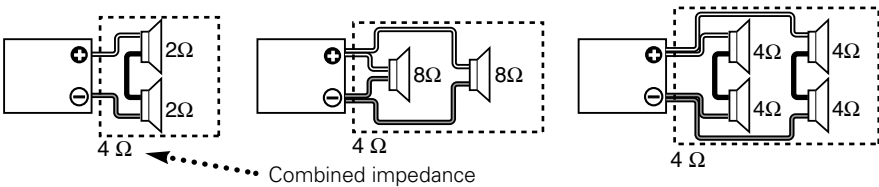
Connection

■ RCA cable connection

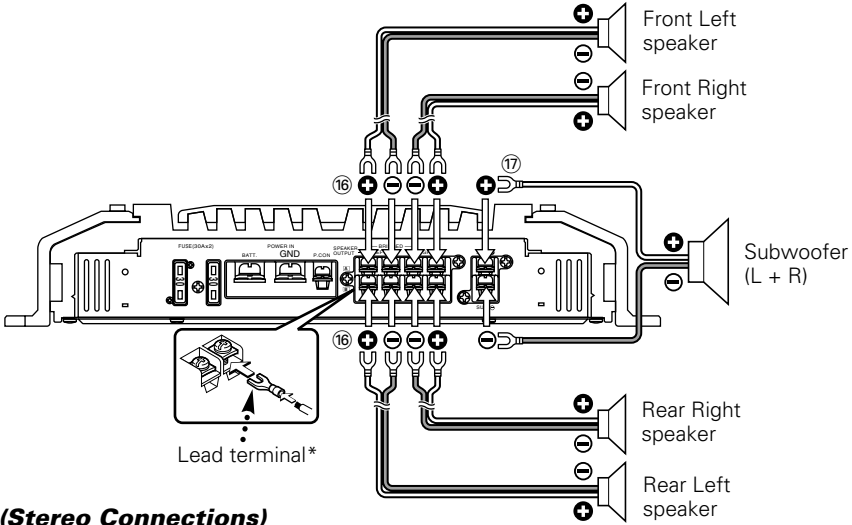


■ Speaker Selection

- The rated input power of the speakers that are going to be connected should be greater than the maximum output power (in Watts) of the amplifier. Use of speakers having input power ratings that are less than the output power of the amplifier will cause smoke to be emitted as well as damage.
- The impedance of the speakers that are going to be connected should be 2Ω or greater (for stereo connections, amplifier SUB), or 4Ω or greater (for bridged connections). When more than one set of speakers are going to be used, calculate the combined impedance of the speakers and then connect suitable speakers to the amplifier.

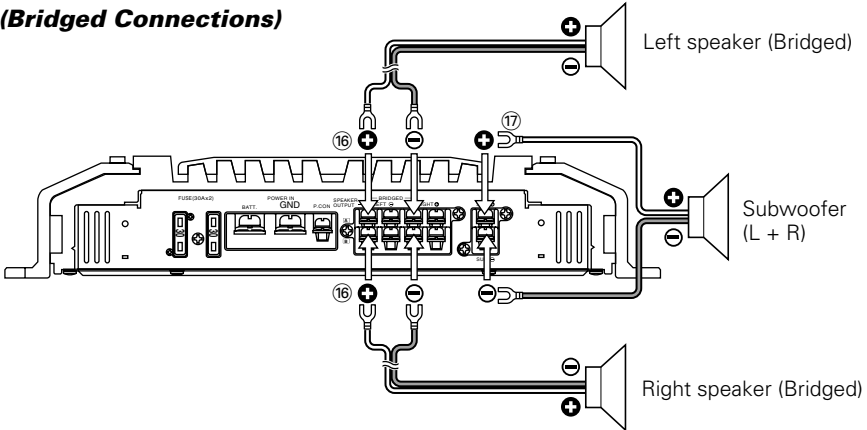


■ **Speaker wire connection**



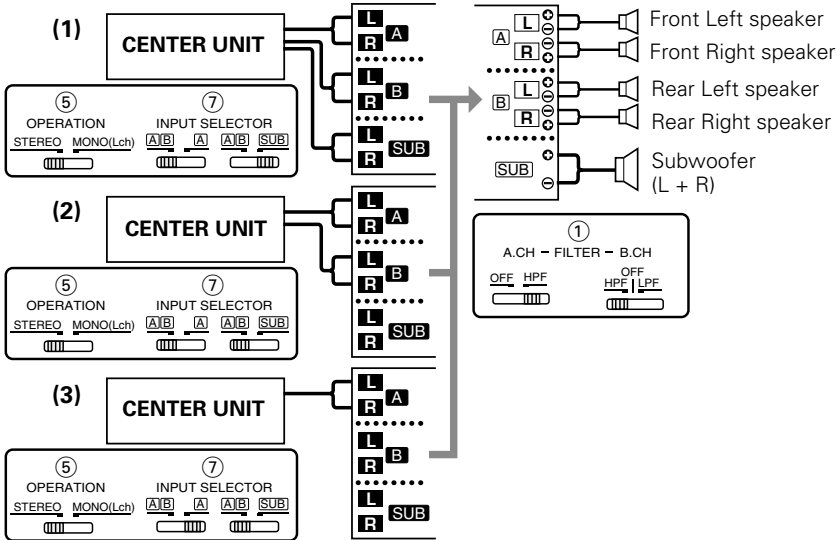
(Stereo Connections)

.....
(Bridged Connections)

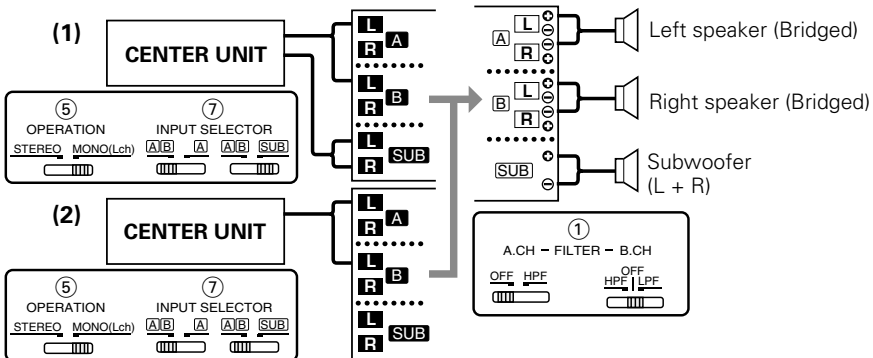


System examples

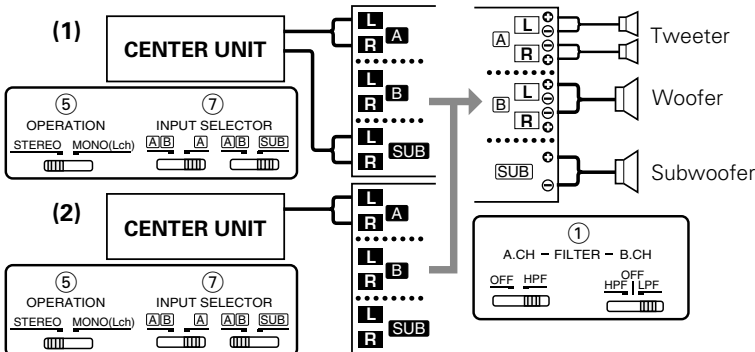
■ 5-channel system



■ 3-channel system

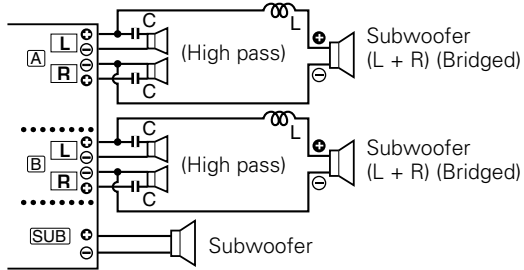
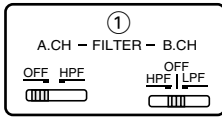


■ 4-channel system



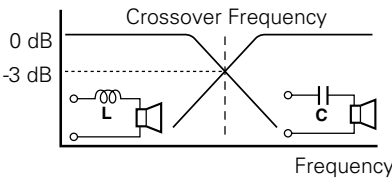
■ Tri-mode

Refer to 5-channel system →



● Principle of Tri-mode

Method of frequency band division using a coil and capacitor...in case of 6dB/oct. slope



Coil (L): Passes low frequencies and blocks high frequencies. (Low pass)

Capacitor (C): Passes high frequencies and blocks low frequencies. (High pass)

$$C = \frac{159000}{f_c \times R} (\mu F) \quad f_c = \text{Cut of Frequency (Hz)} \\ R = \text{Speaker Impedance } (\Omega)$$

$$L = \frac{159 \times R}{f_c} (\text{mH})$$

● Example:

When it is required to set a crossover frequency of 120 Hz using speakers with an impedance of 4 ohms.

Prepare commercially-available coil and capacitor with the closest ratings to the results calculated from the formula above. The capacitor rating should be as close as possible to 331.25 (μF) and the coil rating should be as close as possible to 5.3 (mH).

▲ CAUTION

- If you wish to bridge-connect a speaker, the speaker impedance must be no less than 4 ohms. Connecting a speaker with an impedance lower than 4 ohms may damage the unit.
- Be sure to connect capacitors to speakers to which high frequencies will be passed. Failure to do so will result in a drop of the combined impedance with the subwoofer.
- Ensure that the withstand voltage and current ratings of the capacitors (C) and coils (L) are sufficient.

Troubleshooting Guide

What might appear to be a malfunction in your unit may just be the result of slight misoperation or miswiring. Before calling service, first check the following table for possible problems.

PROBLEM	POSSIBLE CAUSE	SOLUTION
No sound. (No sound from one side.) (Blown fuse.)	<ul style="list-style-type: none">• Input (or output) cables are disconnected.• Protection circuit may be activated.• Volume is too high.• The speaker cord is shorted.	<ul style="list-style-type: none">• Connect the input (or output) cables.• Check connections by referring to "Indicator".• Replace the fuse and use lower volume.• After check the speaker cord and fixing the cause of the short, replace the fuse.
The output level is too small (or too large).	The input sensitivity adjusting control is not set to the correct position.	Adjust the control correctly referring to "Controls".
The sound quality is bad. (The sound is distorted.)	<ul style="list-style-type: none">• The speakers wire are connected with wrong \oplus / \ominus polarity.• A speaker wire is pinched by a screw in the car body.• The switches may be set improperly.	<ul style="list-style-type: none">• Connect them properly checking the \oplus / \ominus of the terminals and wires well.• Connect the speaker wire again so that it is not pinched by anything.• Set switches properly by referring to "System examples".
The external amplifier controller (B.M.S.) will not work.	<ul style="list-style-type: none">• The B.M.S. switch setting is incorrect.• The external amplifier control wire has come loose.	<ul style="list-style-type: none">• The B.M.S. switch is set to "REMOTE".• Check that the external amplifier control wire is properly connected.

Specifications

Specifications subject to change without notice.

Audio Section

Max Power Output
5 channel160 W × 4 (4 Ω) + 300 W × 1 (4 Ω)
3 channel300 W × 2 (4 Ω) + 600 W × 1 (2 Ω)

Rated Power Output (+B = 12.0 V)
5 channel (4 Ω)40 W × 4 + 130 W × 1
(20 Hz – 20 kHz, 0.05 % THD) + (20 Hz – 200 Hz, 0.5 % THD)
(2 Ω)60 W × 4 (1 kHz, 0.5 % THD) + 200 W × 1 (100 Hz, 0.8 % THD)
3 channel (4 Ω)120 W × 2 (1 kHz, 0.5 % THD) + 130 W × 1 (100 Hz, 0.5 % THD)

Rated Power Output (+B = 14.4 V)
5 channel (4 Ω)60 W × 4 + 200 W × 1
(20 Hz – 20 kHz, 0.05 % THD) + (20 Hz – 200 Hz, 0.5 % THD)
(4 Ω) (DIN : 45324 , +B = 14.4V)60 W × 4 + 200 W × 1
(2 Ω)80 W × 4 (1 kHz, 0.5 % THD) + 300 W × 1 (100 Hz, 0.8 % THD)
3 channel (4 Ω)160 W × 2 (1 kHz, 0.5 % THD) + 200 W × 1 (100 Hz, 0.5 % THD)

Frequency Response (+0, -3 dB) (A, B channel)5 Hz – 70 kHz
(SUB channel)15 Hz – 200 Hz

Total Harmonic Distortion (Rated power)* (A, B channel)0.006 % (1 kHz)
(SUB channel)0.2 % (100 Hz)

Sensitivity (rated output) (MAX.)0.2 V
(MIN.)5.0 V

Signal to Noise Ratio (A, B channel)105 dB
(SUB channel)100 dB

Input Impedance10 kΩ

High Pass Filter Frequency (12 dB/oct.) (A, B channel)50 – 200 Hz (variable)

Low Pass Filter Frequency (24 dB/oct.) (B, SUB channel)50 – 200 Hz (variable)

Infrasonic Filter Frequency (24 dB/oct.) (SUB channel)15 Hz

B.M.S. (40 – 100 Hz : variable) (SUB channel)OFF / +6 / +12 / +18 dB

Sensitivity = MIN. , Through LPF (30 kHz)

General

Operating Voltage14.4 V (11 – 16 V allowable)

Current Consumption (+B = 12.0 V, 4 Ω, 10 % THD)53 A

Dimensions (W × H × D)283 × 58 × 350 mm

11-1/3 × 2-5/16 × 13-3/4 inch

Weight5.7 kg (12.5 lbs)

Précautions de sécurité

▲AVERTISSEMENT

Pour éviter toute blessure et/ou incendie, veuillez prendre les précautions suivantes:

- Si vous prolongez un câble de batterie ou de masse, assurez vous d'utiliser un câble pour automobile ou un câble avec une section de 8 mm² (AWG8) afin d'éviter tous risques de détérioration ou d'endommagement du revêtement des câbles.
- Pour éviter les court-circuits, ne jamais mettre ou laisser d'objets métalliques (comme une pièce de monnaie ou un outil en métal) à l'intérieur de l'appareil.
- Si l'appareil commence à émettre de la fumée ou une odeur bizarre, mettez immédiatement l'appareil hors tension et consultez un revendeur Kenwood.
- Ne pas toucher l'appareil quand il est en service car la température de sa surface est suffisamment élevée pour provoquer des brûlures.

▲ATTENTION

Pour éviter tout dommage à l'appareil, veuillez prendre les précautions suivantes:

- Bien vérifier que l'appareil est raccordé à une source d'alimentation CC de 12 V avec raccordement de masse négative.
- N'ouvrez pas le couvercle supérieur ou inférieur de l'appareil.
- N'installez pas l'appareil dans un endroit exposé directement à la lumière du soleil, à une chaleur excessive ou à l'humidité. Evitez aussi les endroits trop poussiéreux et où l'appareil risque d'être éclaboussé.
- Lors du remplacement d'un fusible, utilisez seulement un fusible neuf avec la valeur indiquée. L'utilisation d'un fusible d'une valeur différente peut être la cause d'un mauvais fonctionnement de votre appareil.
- Pour éviter les courts-circuits lors du remplacement d'un fusible, déconnectez d'abord le faisceau de câbles.

REMARQUE

- Si vous rencontrez des problèmes pendant l'installation, consultez votre revendeur Kenwood.
- Si l'appareil semble ne pas fonctionner correctement, consultez votre revendeur Kenwood.

REMARQUE

Cet appareil numérique de la classe B est conforme à la norme NMB-003 du Canada.

Nettoyage de l'appareil

Si la surface de l'appareil sale, l'essuyer avec un chiffon au silicone ou un chiffon doux et sec après avoir éteint l'appareil.

▲ATTENTION

N'essayez pas le panneau avec un tissu rugueux ou imprégné de dissolvant volatil comme un diluant à peinture ou de l'alcool. Il pourrait rayer la surface du panneau et/ou écailler les lettres d'informations.


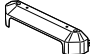




Comment éviter une élévation de la batterie

Lorsque l'unité est utilisée avec l'ACC sur ON, sans que le moteur ne soit allumé, cela décharge la batterie. Il est préférable de l'utiliser après avoir allumé le moteur.

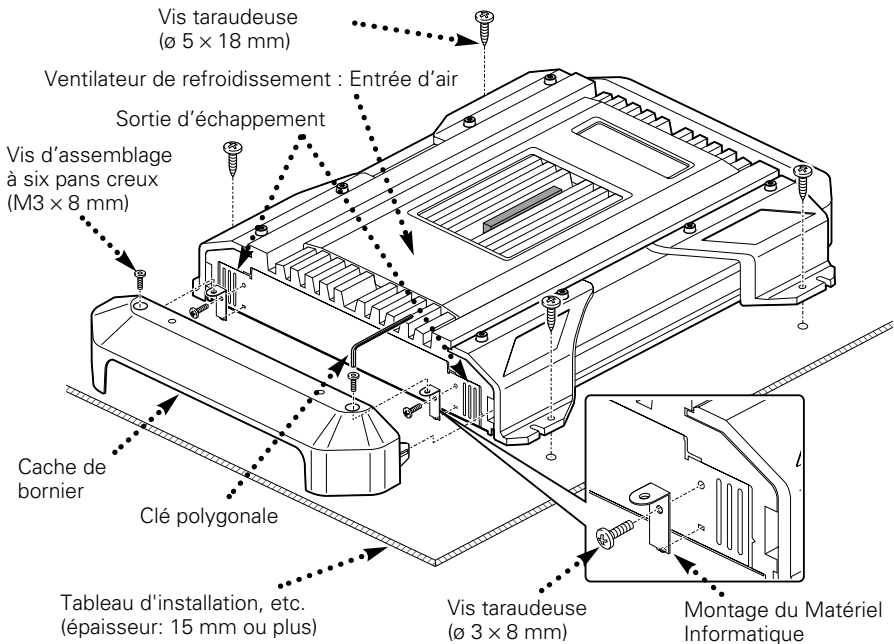
Fonction de protection

L'unité dispose d'une fonction de protection destinée à la protéger ainsi que les haut-parleurs, contre différents dysfonctionnements. Lorsque cette fonction est activée, vous en êtes informé par l'indicateur correspondant. (Cf. page 20.)

Accessoires

Nom de la pièce	Vue extérieure	Quantité
Vis taraudeuses (ø5 × 18 mm)		4
Cache de bornier		2
Montage du Matériel Informatique		4
Vis d'assemblage à six pans creux (M3 × 8 mm)		4
Vis taraudeuses (ø3 × 8 mm)		4
Clé polygonale		1

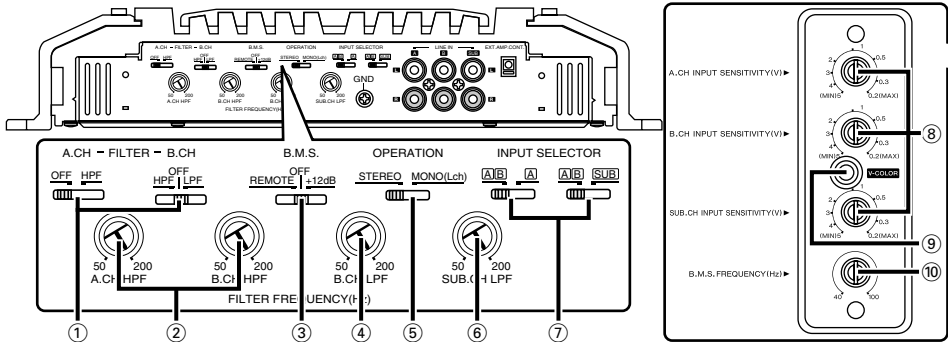
Installation



1. Mettre en place les accessoires d'installation sur l'unité.
2. Brancher l'unité.
3. Installer la façade du terminal.

▲ATTENTION

- Ne pas procéder à l'installation de l'appareil si vous vous trouvez dans l'un des lieux suivants : (Lieu instable, Lieu où la conduite du véhicule peut être gênée, Lieu exposé à l'humidité, Lieu exposé à la poussière, Lieu surchauffé, Lieu exposé directement à la lumière du jour, Lieu exposé à l'air chaud)
- Ne pas recouvrir l'appareil d'une nappe, tapis, etc; la chaleur qui s'accumulerait risque d'endommager l'appareil.
- Installer cet appareil à un emplacement tel que la chaleur puisse se dissiper aisément. Après l'installation, ne placer aucun objet sur l'appareil.
- La surface de l'amplificateur va chauffer pendant l'utilisation. Installer l'amplificateur à un endroit où des passagers, de la résine ou d'autres substances sensibles à la chaleur n'entreront pas en contact avec lui.
- Cet appareil est pourvu de ventilateurs de façon à évacuer une partie de la chaleur produite par les circuits internes. Il est donc indispensable, au moment de l'installation, de veiller à ce que les ouânes d'aération ne soient pas obstruées. En effet, si la chaleur interne ne peut pas être éliminée par la ventilation de l'appareil, une anomalie de fonctionnement peut aisément survenir.
- Lors du forage d'un trou sous le siège, à l'intérieur du coffre ou partout ailleurs dans le véhicule, vérifier s'il n'y a pas d'élément dangereux de l'autre côté, tel qu'un réservoir à carburant, une conduite de frein, une gaine de câbles, et faire attention de ne pas faire de griffes ou d'autres dégâts.
- Ne pas l'installer près du tableau de bord, de la plage arrière ou d'éléments de sécurité de l'airbag.
- Lors de l'installation dans un véhicule, l'appareil doit être fermement fixé à un endroit où il ne gênera pas la conduite. Si l'appareil se détache suite à un choc et heurte quelqu'un ou un élément de sécurité, il peut occasionner des blessures ou un accident.
- Après installation de l'appareil, s'assurer que les différents équipements électriques tels que lampes frein et les clignotants de direction fonctionnent normalement.



Cet appareil est un amplificateur à 5 canaux rassemblant dans un même boîtier 2 amplificateurs stéréo et un amplificateur monaural.

L'amplificateur stéréo d'un côté est appelé amplificateur A, tandis que celui de l'autre côté est désigné par la lettre B. L'amplificateur monaural est considéré comme amplificateur SUB (Amplificateur-d'haut-parleurs d'extrêmes graves).

Cet appareil est compatible avec diverses configurations de chaîne, simplement en sélectionnant les positions des commutateurs et les fonctions comme indiqué ci-après.

A propos du D-class (SUB.CH)

Un amplificateur de classe D utilise une fréquence inaudible comme impulsion de commutation pour changer la largeur d'impulsion et ce, afin de représenter le signal musical. (P.W.M. : Pulse Width Modulation; La modulation de largeur d'impulsion).

⑧ Commande INPUT SENSITIVITY (sensibilité d'entrée) (A.CH/B.CH/SUB.CH)

Régler cette commande selon le niveau de pré-sortie de l'unité centrale branché à cet amplificateur.

La sensibilité des amplificateurs A, B et SUB peut être réglée indépendamment, quelle que soit la position du sélecteur d'entrée.

REMARQUE

Se référer à la section "Spécifications" du manuel des instructions de l'unité centrale à propos du niveau de pré-sortie.

⑤ Commutateur OPERATION

Ce commutateur permet de choisir le mode de fonctionnement de l'amplificateur. Ce réglage est valable pour les amplificateurs A et B à la fois.

• Position STEREO:

C'est la position à utiliser lorsque l'appareil

sert d'amplificateur stéréo.

• Position MONO(L):

Seul le signal présent à l'entrée de la voie gauche est amplifié. Utiliser cette position et effectuer les pontages pour disposer d'un amplificateur monaural de plus forte puissance. (Le signal d'entrée droite n'est pas reproduit.)

① Commutateur FILTER (A.CH/B.CH)

Ce commutateur permet d'effectuer un filtrage des graves, ou des aigus, appliqués vers les haut-parleurs.

• Position HPF (Filtre passe-haut):

Le filtre laisse passer les fréquences supérieures à la fréquence précisée au moyen de la commande HPF FREQUENCY.

• Position OFF:

Le filtre n'agit pas, autrement dit tout le spectre des fréquences est présent en sortie.

• Position LPF (Filtre passe-bas): (B.CH seulement)

Le filtre laisse passer les fréquences inférieures à la fréquence précisée au moyen de la commande LPF FREQUENCY. La sortie vers les haut-parleurs devient monaurale (G+D) et le circuit d'accentuation des graves est mis en service.

② Commande HPF FREQUENCY (A.CH/B.CH)

Cette commande permet de préciser la fréquence de coupure quand le commutateur FILTER est sur la position HPF.

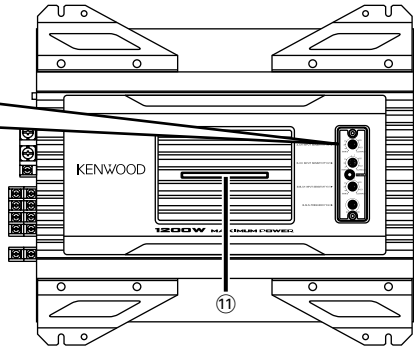
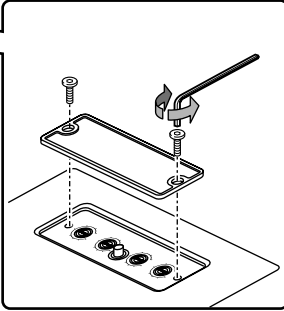
④ Commande B.CH LPF FREQUENCY

Cette commande permet de préciser la fréquence de coupure quand le commutateur FILTER est sur la position LPF.

⑥ Commande SUB.CH LPF FREQUENCY

Cette commande permet d'ajuster la sortie de la bande de fréquences à partir de cet amplificateur SUB.

Pour enlever la façade



⑦ Commutateur INPUT SELECTOR (sélection de l'entrée) (AB/A)

Ce commutateur fait alterner le signal d'entrée vers l'amplificateur B.

• Position AB :

L'entrée pour la borne A est émise depuis l'amplificateur A, tandis que l'entrée pour la borne B est émise depuis l'amplificateur B.

• Position A :

L'entrée pour la borne A est émise depuis les amplificateurs A et B.

(AB/SUB)

Ce commutateur fait alterner le signal d'entrée vers l'amplificateur SUB.

• Position AB :

L'entrée pour les bornes A et B est mixée puis renvoyée par l'amplificateur SUB.

• Position SUB :

L'entrée pour la borne SUB est renvoyée par l'amplificateur SUB.

③ Commutateur B.M.S. (Système de Contrôle des Graves)

Amplification des fréquences graves à partir de la fréquence réglée à l'aide de la commande B.M.S. FREQUENCY. Le B.M.S. ne s'applique qu'à l'amplificateur SUB.

• Position +12:

Amplificateur de fréquences graves +12 dB

• Position OFF:

Amplificateur de fréquences graves sur OFF

• Position REMOTE ():

Commande le B.M.S. à partir l'unité principale Kenwood. (Cf. page 19.)

⑩ Commande du B.M.S. FREQUENCY

Lorsque l'interrupteur B.M.S. est réglé sur "+12dB"/"REMOTE" la fréquence centrale accentuée est ajustée.

⑨ Bouton à couleur variable (V-COLOR)

Sélectionner la couleur correspondant à ON pour l'indicateur.

Dès lors que l'on appuie sur le bouton, 7 couleurs fixes ainsi que la couleur variable changent. La couleur ne peut pas être réglée lorsque l'indicateur clignote.

■ Commande du B.M.S. à partir de l'unité principale Kenwood (B.M.S. : Système de Contrôle des Graves)

Lorsque l'interrupteur du B.M.S. est réglé sur la position télécommande, l'intensité et le décalage de fréquence de l'amplificateur de fréquences graves peuvent être commandés à partir de l'unité principale.

• Amplificateur de fréquences graves

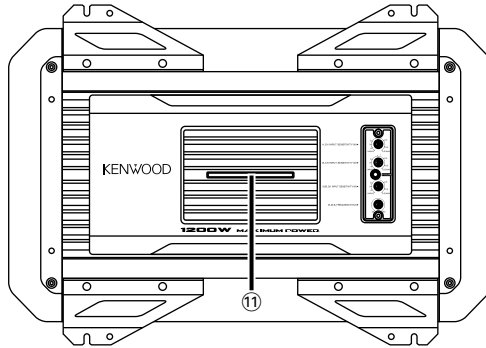
Affichage de l'unité principale	Configuration
"Flat"/ "OFF"/"1"	Amplificateur de fréquences graves ETEINT (normal)
" +6"/ "1"/"2"	Amplificateur de fréquences graves +6 dB
" +12"/ "2"/"3"	Amplificateur de fréquences graves +12 dB
" +18"/ "3"/"4"	Amplificateur de fréquences graves +18 dB

• Décalage de fréquence

Affichage de l'unité principale	Configuration
"Normal"	C'est la valeur compensée.
"Low"	La fréquence centrale est plus basse de 20 à 30%.

REMARQUE

En ce qui concerne la procédure à suivre pour la commande de l'unité principale et la configuration de l'affichage, se référer au chapitre sur l'unité principale du Manuel d'Utilisation. Dans certains cas, "l'amplificateur de fréquences graves +18dB" ou "le décalage de fréquences" ne peut être réglé à partir de l'unité principale.



■ Indicateur¹¹

L'indicateur vous informe de l'état et des dysfonctionnements de l'unité (Fonction de protection).

- **Lorsque l'appareil est sur ON ou que la couleur change, le fonctionnement est correct.**

Lorsque l'appareil fonctionne normalement
La couleur souhaitée peut être sélectionnée grâce au bouton à couleur variable.

- **La couleur bleue clignote**

- Au cours du fonctionnement
- Lorsque l'interrupteur de l'unité principale/B.M.S. commande le B.M.S.

- **La couleur jaune clignote**

Lorsque la tension électrique est inférieure à 11V.

REMARQUE

La raison peut être la suivante :

- La batterie du véhicule est faible.
- La capacité de la batterie est trop basse.
- Le cordon de la batterie est usé.
- Le fil électrique de la batterie est trop court ou trop long et le courant amené est insuffisant.

- **La couleur violette clignote**

Lorsque l'unité est en panne et que l'intensité du courant continu est transmise à la sortie haut-parleur.

REMARQUE

Eteindre l'appareil puis ôter la protection. Si l'indicateur ne cesse de clignoter, contacter votre revendeur Kenwood.

- **La couleur rouge clignote**

Lorsque l'intérieur de l'unité est en surchauffe.

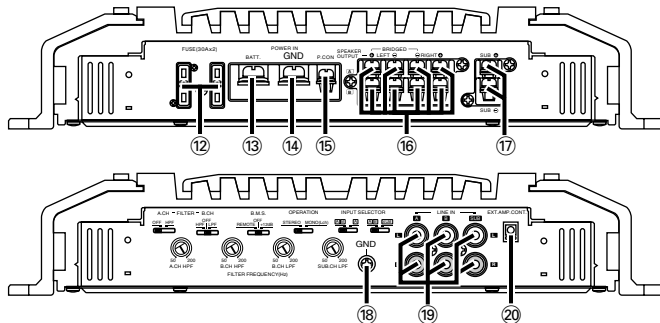
- **La couleur verte clignote**

- Lorsque le cordon du haut-parleur est en court-circuit.

- Lorsque la sortie haut-parleur est en contact avec la terre du véhicule.

Raccordements

■ Noms des terminaux



⑫ **FUSIBLE (30 A × 2)**

⑬ **Borne BATT (alimentation)**

⑭ **Borne GND (masse)**

⑮ **Bornes A/B SPEAKER OUTPUT de l'amplificateur**

• Connexions stéréo:

Pour utiliser l'appareil comme amplificateur stéréo, des connections stéréo doivent être utilisées. Les haut-parleurs à connecter doivent avoir une impédance de 2 ohms ou supérieure. Lorsque plusieurs haut-parleurs doivent être connectés, s'assurer que l'impédance combinée soit de 2 ohms ou supérieure pour chaque canal.

• Connexions en pont:

Pour l'utilisation de l'appareil comme amplificateur monophonique à haute puissance de sortie, des connections en pont doivent être utilisées. (Faire les connexions aux bornes SPEAKER OUTPUT du canal gauche (LEFT) ⊕ et du canal droit (RIGHT) ⊖.) Les haut-parleurs à connecter doivent avoir une impédance de 4 ohms ou supérieure. Lorsque plusieurs haut-parleurs doivent être connectés, s'assurer que l'impédance combinée soit de 4 ohms ou supérieure.

▲ATTENTION

La puissance admissible par les haut-parleurs doit être au moins égale à la puissance de sortie de l'amplificateur. Dans le cas contraire, une anomalie de fonctionnement peut survenir.

⑰ **Borne SUB SPEAKER OUTPUT**

Cet appareil étant conçu pour fonctionner avec une impédance de charge de 2 Ohms, tout haut-parleur dont l'impédance est égale ou supérieure à 2 Ohms peut être branché sur ces prises.

⑱ **Borne de masse pour câble RCA (GND)**

Si on utilise une câble RCA muni d'un fil de masse, relier le fil de masse à cette borne.

⑲ **Borne entrée de ligne Amplificateur A/B/SUB**

⑮ **Borne P.CON (fil de commande d'alimentation)**

Commande l'unité ON/OFF.

REMARQUE

Commande l'unité d'alimentation. Assurez-vous de le connecter à l'ensemble des différents systèmes.

⑳ **Borne EXT.AMP.CONT. (Contrôle de l'amplificateur extérieur)**

Commande le B.M.S. Seuls les modèles d'unités principales Kenwood vendus au cours de 1999 ou après cette date et disposant d'un câble "EXT.CONT.!" "EXT.AMP.CONT." peuvent être utilisés. En outre, 3 amplificateurs de puissance peuvent fonctionner simultanément.

REMARQUE

Dans certains cas, l'appareil peut ne pas fonctionner en raison du type ou de la longueur du câble électrique.

Raccordements

■ Procédure d'installation

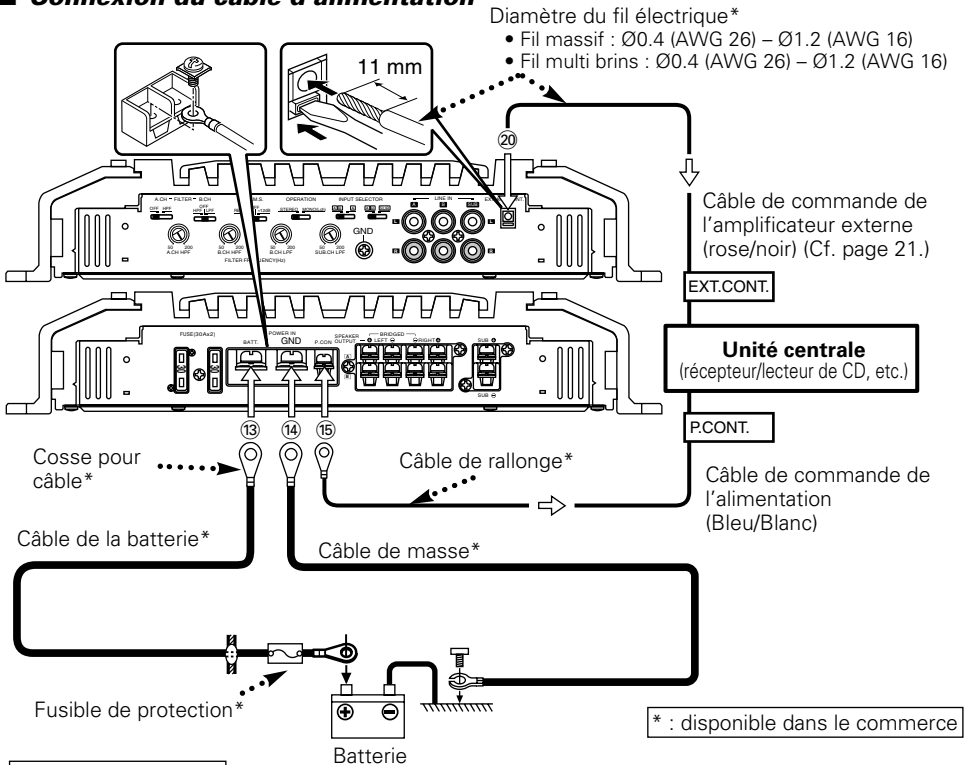
Etant donné que le nombre de réglages et de raccordements est assez important, il importe de prendre pleinement connaissance du mode d'emploi.

1. Retirer la clé de contact et débrancher la borne négative ⊖ de la batterie pour éviter les court-circuits.
2. Régler l'appareil en fonction de l'utilisation désirée.
3. Raccorder les câbles d'entrée et de sortie de l'appareil.
4. Raccorder les câbles de haut-parleur.
5. Relier, dans l'ordre, le câble d'alimentation, le câble de commande d'alimentation et le câble de masse.
6. Monter l'appareil dans la voiture.
7. Raccorder la borne négative ⊖ de la batterie.

▲ATTENTION

- En cas d'anomalie, mettre immédiatement l'appareil hors tension et vérifier tous les raccordements.
- Veiller à mettre l'appareil hors tension avant de changer la position des commutateurs.
- Si le fusible saute, vérifier si les câbles ne sont pas court-circuités, et remplacer le fusible par un autre fusible de même capacité nominale.
- Vérifier qu'aucun câble ou connecteur non raccordé ne touche la carrosserie de la voiture. Ne pas retirer les capuchons des câbles ou connecteurs non raccordés afin d'éviter tout court-circuit.
- Raccorder séparément les câbles de haut-parleur aux connecteurs de haut-parleur appropriés. La mise en commun du câble négatif d'un haut-parleur ou des fils de masse des haut-parleurs à la carrosserie métallique de la voiture pourrait rendre l'appareil inopérant.
- Après l'installation, vérifier que les voyants de frein, les clignotants et les essuie-glace fonctionnent correctement.

■ Connexion du câble d'alimentation



▲ AVERTISSEMENT

Pour éviter tout incendie dû à un court-circuit, insérer un fusible ou un coupe-circuit à proximité de la borne de la batterie.

Câblage

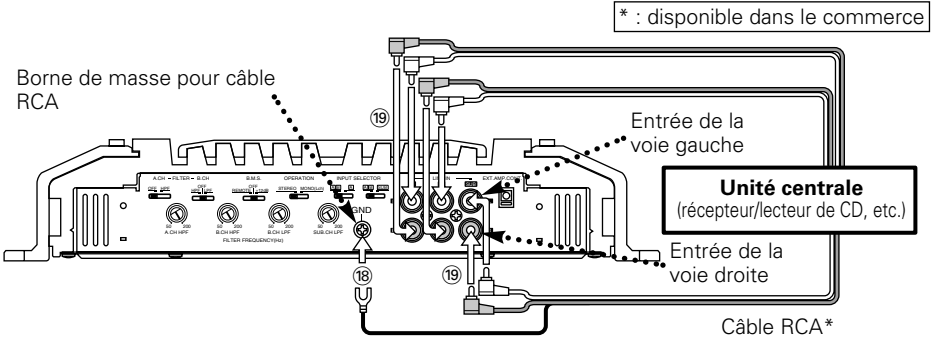
- Pour cette unité, brancher le cordon de la batterie directement à la batterie. Si celui-ci est connecté à l'installation électrique du véhicule, l'installation peut disjoncter etc.
- Si un ronronnement se fait entendre dans les haut-parleurs lorsque le moteur tourne, fixer un filtre antiparasite de ligne (en option) au câble de la batterie.
- Utiliser un passe-câble de manière que le cordon ne soit pas en contact avec le tablier.
- Relier les fils de masse à une partie métallique du châssis du véhicule qui soit en mesure de jouer le rôle de masse électrique et donc de laisser passer le courant vers le pôle négatif - de la batterie. Ne pas mettre l'appareil sous tension si les fils de masse ne sont pas reliés.
- Assurez-vous de mettre en place un fusible protégeant le cordon d'alimentation situé près de la batterie. Ce fusible doit avoir un pouvoir de coupure égal ou légèrement supérieur à celui de l'unité.
- En ce qui concerne le cordon d'alimentation et la terre, il est conseillé d'utiliser un cordon d'alimentation électrique pour voiture (inflammable) dont l'intensité sera supérieure au pouvoir de coupure du fusible de l'unité. (Utiliser un cordon d'alimentation d'un diamètre égal ou supérieur à 8 mm² (AWG 8).)
- Lorsque plus d'un amplificateur de puissance doivent être utilisés, utiliser un câble de câblage d'alimentation et un fusible de sécurité dont la limite de tension est supérieure au courant total maximum tiré par chaque amplificateur.

Borne EXT.AMP.CONT. (Contrôle de l'amplificateur extérieur) ⑳

1. Dénuder le fil électrique sur une longueur de 11 mm à partir de la fin.
2. Tout en appuyant sur le verrou, appuyer sur la touche de détachement à l'aide d'un tournevis pour écrous à fente puis insérer le fil électrique.

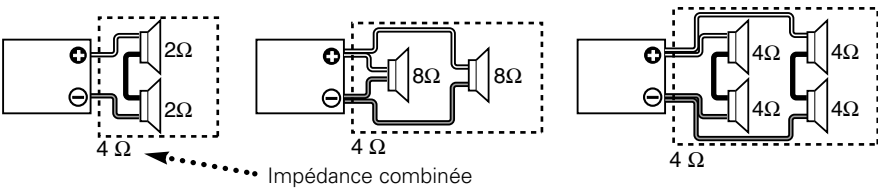
Raccordements

Raccordement d'un câble à fiche Cinch (RCA)

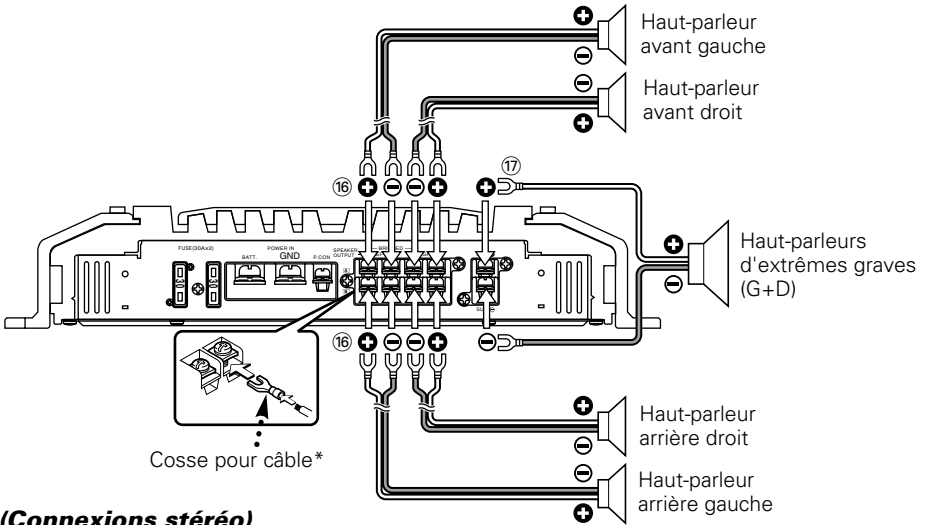


Sélection des haut-parleur

- La puissance d'entrée nominale des haut-parleur qui vont être connectées doit être supérieure à la puissance de sortie maximum (en Watts) de l'amplificateur. L'utilisation d'haut-parleur dont la puissance d'entrée nominale est inférieure à la puissance de sortie de l'amplificateur entraînera l'émission de fumée, ainsi que des dommages.
- L'impédance des haut-parleur qui vont être connectées doit être de minimum 2Ω (pour les connexions stéréo, amplificateur SUB) ou de minimum 4Ω (pour des connexions pontées). Lorsque plus d'un jeu d'haut-parleur doit être utilisé, calculer l'impédance combinée des haut-parleur qui vont être utilisées et connecter ensuite les haut-parleur appropriées à l'amplificateur.

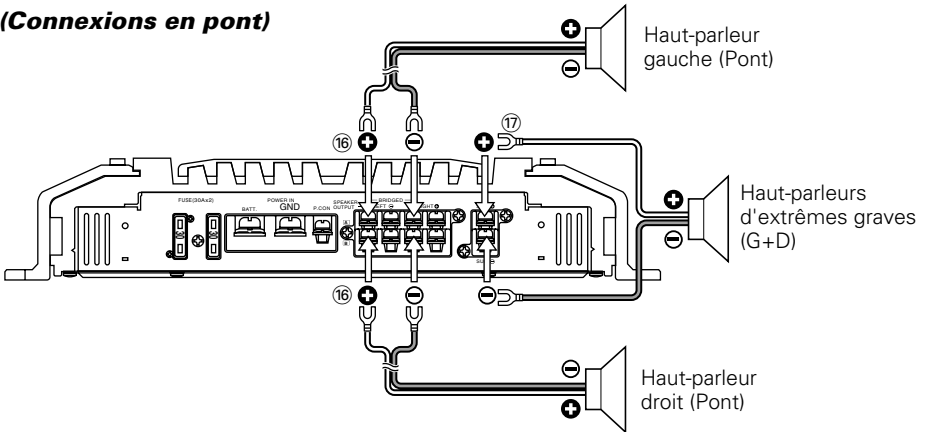


■ Connexion des câbles d'haut-parleur



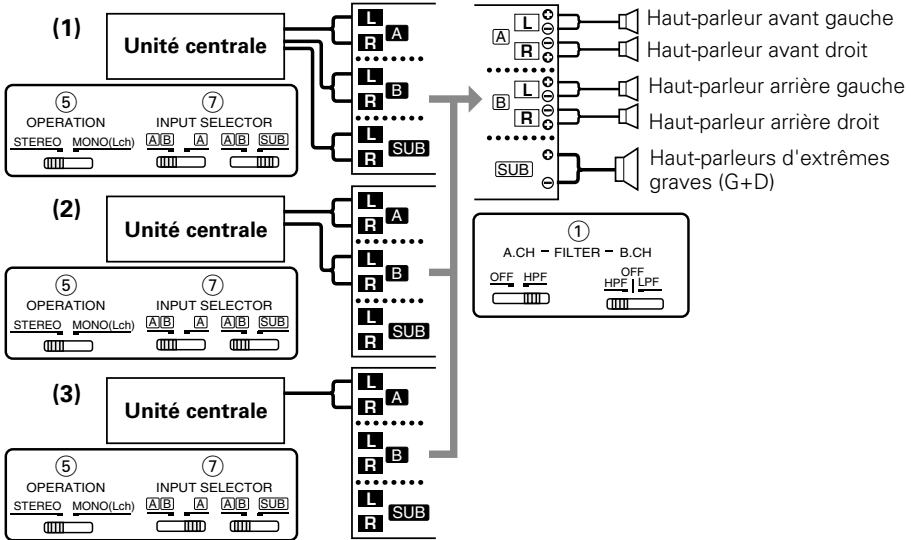
(Connexions stéréo)

.....
(Connexions en pont)

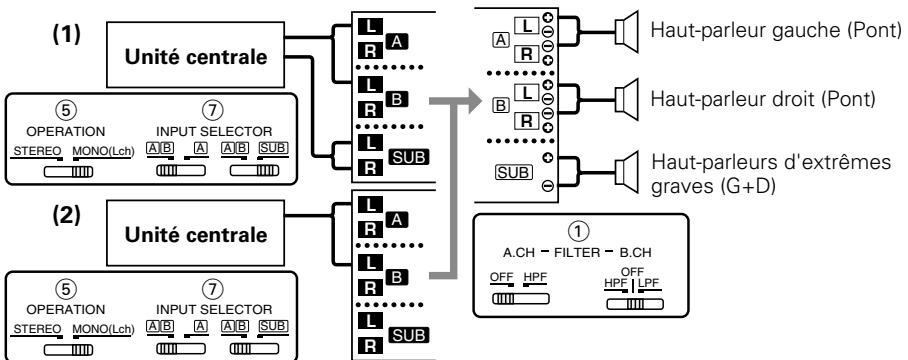


Exemple de configuration

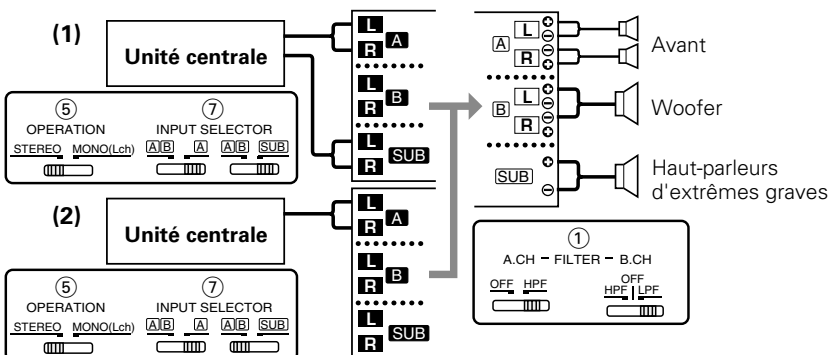
■ Système 5 canaux



■ Système 3 canaux

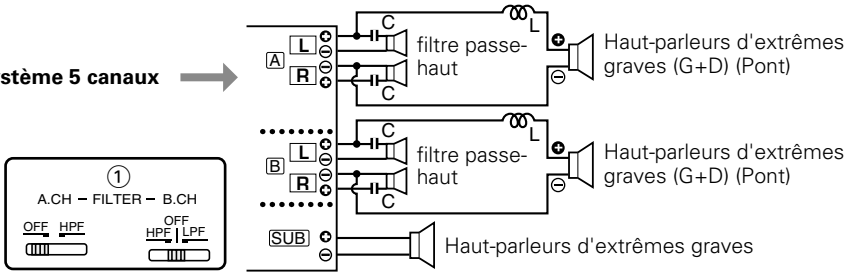


■ Système 4 canaux



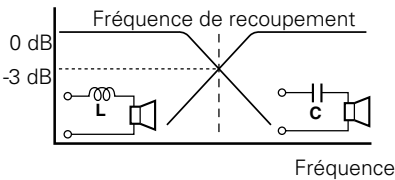
■ Le Tri-mode

Cf. Système 5 canaux →



● Principe du Tri-mode

Méthode de division de la bande des basses fréquences au moyen d'une bobine et d'un condensateur ... dans le cas d'une pente de 6dB/oct.



Self (L) : Elle laisse passer les fréquences graves mais bloque les fréquences aiguës (filtre passe-bas).

Condensateur (C) : Il laisse passer les fréquences aiguës mais bloque les fréquences graves (filtre passe-haut).

$$C = \frac{159000}{f_c \times R} \text{ (}\mu\text{F)} \quad f_c = \text{Fréquence de recoupement (Hz)}$$

$$L = \frac{159 \times R}{f_c} \text{ (mH)} \quad R = \text{Impédance du haut-parleur (}\Omega\text{)}$$

● Exemple:

Cas où il faut établir la fréquence de transition à 120 Hz en utilisant des haut-parleurs ayant une impédance de 4 ohms.

Se procurer dans le commerce la bobine et le condensateur présentant des caractéristiques aussi proches que possible des valeurs calculées. Dans ce cas, la condensateur doit avoir une capacité aussi proche que possible de 331,25 (μF), et la bobine une capacité aussi proche que possible de 5,3 (mH).

▲ ATTENTION

- Si l'on désire connecter en pont un haut-parleur, l'impédance du haut-parleur ne devra pas être inférieure à 4 ohms. Le branchement d'un haut-parleur dont l'impédance est inférieure à 4 Ohms peut endommager l'appareil.
- S'assurer de connecter des condensateurs aux haut-parleur qui recevront des hautes fréquences. Sinon, une diminution de l'impédance combinée avec le subwoofer va se produire.
- Vérifier si la tension de tenue et les données limites de courant des condensateurs (C) et bobines (L) sont suffisantes.

Guide de dépannage

Ce qui peut apparaître comme un mauvais fonctionnement de votre appareil n'est peut être que le résultat d'une mauvaise opération ou d'une mauvaise connexion. Avant d'appeler un centre de service, vérifiez d'abord dans le tableau suivant les problèmes possibles.

PROBLEME	CAUSE POSSIBLE	SOLUTION
Absence de sons. (Pas de son d'un côté)	<ul style="list-style-type: none">• Les câbles d'entrée (ou de sortie) sont débranchés.• Le circuit de protection peut être actionné.	<ul style="list-style-type: none">• Brancher les câbles d'entrée (ou de sortie).• Vérifier les raccordements en se reportant au paragraphe "Indicateur".
(Fusible grillé)	<ul style="list-style-type: none">• Le volume est trop fort.• Les fils de raccordement d'enceinte sont en court-circuit.	<ul style="list-style-type: none">• Remplacez le fusible et utilisez un niveau de volume plus faible.• Après avoir vérifié le câble d'enceinte et réparé la cause du court-circuit, remplacez le fusible.
Niveau de sortie trop faible. (ou trop fort)	La commande de réglage de la sensibilité d'entrée n'est pas amenée sur la bonne position.	Faire le réglage correctement en se reportant aux indications données en "Contrôles".
La qualité sonore est mauvaise. (Le son est distordu.)	<ul style="list-style-type: none">• Les câbles de haut-parleur ont été raccordés en inversant la polarité ⊕/⊖.• Un câble de haut-parleur est pincé par une vis dans le châssis de la voiture.• Les commutateurs ne sont peut-être pas positionnés comme il convient.	<ul style="list-style-type: none">• Raccorder correctement en respectant les indications ⊕ et ⊖ des bornes et des câbles.• Rebrancher le câble de haut-parleur en évitant tout pincement• Positionner les commutateurs en tenant compte des indications fournies aux paragraphes "Exemples de système".
Le contrôle de l'amplificateur externe (B.M.S.) ne fonctionnera pas.	<ul style="list-style-type: none">• La configuration de l'interrupteur du B.M.S. est incorrecte.• Le cordon du contrôle de l'amplificateur extérieur s'est relâché.	<ul style="list-style-type: none">• Le commutateur B.M.S. est mis sur "REMOTE".• Vérifiez que le cordon du contrôle de l'amplificateur extérieur est connecté correctement.

Spécifications

Les spécifications sont sujettes à modifications sans préavis.

Section audio

Puissance de sortie max

Mode 5 canaux	160 W × 4 (4 Ω) + 300 W × 1 (4 Ω)
Mode 3 canaux	240 W × 2 (4 Ω) + 320 W × 1 (2 Ω)

Puissance de sortie nominale (+B = 12,0 V)

Mode 5 canaux (4 Ω)	40 W × 4 + 130 W × 1
(2 Ω)	(20 Hz – 20 kHz, 0,05 % D.H.T) + (20 Hz – 200 Hz, 0,5 % D.H.T)
Mode 3 canaux (4 Ω)	60 W × 4 (1 kHz, 0,5 % D.H.T) + 200 W × 1 (100 Hz, 0,8 % D.H.T)
	120 W × 2 (1 kHz, 0,5 % D.H.T) + 130 W × 1 (100 Hz, 0,5 % D.H.T)

Puissance de sortie nominale (+B = 14,4 V)

Mode 5 canaux (4 Ω)	60 W × 4 + 200 W × 1
(2 Ω) (DIN45324, +B=14,4 V)	(20 Hz – 20 kHz, 0,05 % D.H.T) + (20 Hz – 200 Hz, 0,5 % D.H.T)
Mode 3 canaux (4 Ω)	60 W × 4 + 200 W × 1
	(2 Ω)
	80 W × 4 (1 kHz, 0,5 % D.H.T) + 300 W × 1 (100 Hz, 0,8 % D.H.T)
	160 W × 2 (1 kHz, 0,5 % D.H.T) + 200 W × 1 (100 Hz, 0,5 % D.H.T)

Réponse en fréquence (+0, –3 dB) (A,B canaux)

5 Hz – 70 kHz

(SUB canal)

Distorsion harmonique totale (puissance nominale)* (A,B canaux)

0,006 % (1 kHz)

(SUB canal)

Sensibilité (Max)

0,2 V (puissance nominale)

(Min)

Rapport signal/bruit (A,B canaux)

105 dB

(SUB canal)

Impédance d'entrée

10 kΩ

Fréquence du filtre passe-haut (12 dB/oct.) (A,B canaux)

50 – 200 Hz (Variable)

Fréquence du filtre passe-bas (24 dB/oct.) (B, SUB canaux)

50 – 200 Hz (Variable)

Fréquence de coupure du filtre infrasonore (24 dB/oct.) (SUB canal)

15 Hz

B.M.S. (40 – 100 Hz : variable) (SUB canal)

ETEINT / +6 / +12 / +18 dB

Sensibilité minimale, à travers le filtre passe-bas (30 kHz)

Générales

Tension de fonctionnement

14,4 V (11 – 16 V possibles)

Consommation (+B = 12,0 V, 4 Ω, 10 % D.H.T.)

53 A

Dimensions (l × h × p)

283 × 58 × 350 mm

11-1/3 × 2-5/16 × 13-3/4 inch

Poids

5,7 kg (12,5 lbs)

Precauciones de seguridad

▲ADVERTENCIA

Para evitar el riesgo de lesiones y/o fuego, observe las siguientes precauciones:

- Cuando extienda los cables de la batería o de masa, asegúrese de utilizar cables para automóviles u otros cables que tengan un área de 8 mm² (AWG8) o más, para evitar el deterioro del cable y daños en su revestimiento.
- Para evitar cortocircuitos, nunca coloque ni deje objetos metálicos (por ejemplo, monedas o herramientas metálicas) dentro de la unidad.
- Si nota que la unidad emite humos u olores extraños, desconecte inmediatamente la alimentación y consulte con su distribuidor Kenwood.
- No toque el aparato mientras lo utiliza porque su superficie se calienta y puede causar quemaduras si se toca.

▲PRECAUCIÓN

Para evitar daños en la unidad, tome las siguientes precauciones:

- Asegúrese de que la unidad está conectada a un suministro de alimentación de CC de 12V con una conexión de toma de tierra negativa.
- No abra las cubiertas superior o inferior de la unidad.
- No instale la unidad en un sitio expuesto a la luz directa del sol, o excesivamente húmedo o caluroso. Asimismo evite los lugares muy polvorientos o sujetos a salpicaduras de agua.
- Cuando tenga que reemplazar un fusible, utilice únicamente uno del régimen prescrito. El uso de un fusible de régimen incorrecto podría ocasionar un funcionamiento defectuoso de la unidad.
- Para evitar cortocircuitos mientras sustituye el fusible, desconecte previamente el mazo de conductores.

NOTA

- Si tiene problemas durante la instalación, consulte con su distribuidor Kenwood.
- Si la unidad no está funcionando correctamente, consulte con su distribuidor Kenwood.

Limpieza de la unidad

Si la superficie de la unidad está sucia, apague la unidad y limpie con un paño siliconado suave y seco.

▲PRECAUCIÓN

No limpie el panel con un paño áspero o humedecido con disolventes volátiles tales como diluyente de pintura o alcohol. Su uso podría rayar la superficie del panel y/o hacer que se despeguen las letras indicadoras.

Para evitar agotar la batería

Cuando la unidad se utiliza en la posición ACC ON sin CONECTAR el motor, agota la batería. Utilícelo después de arrancar el motor.

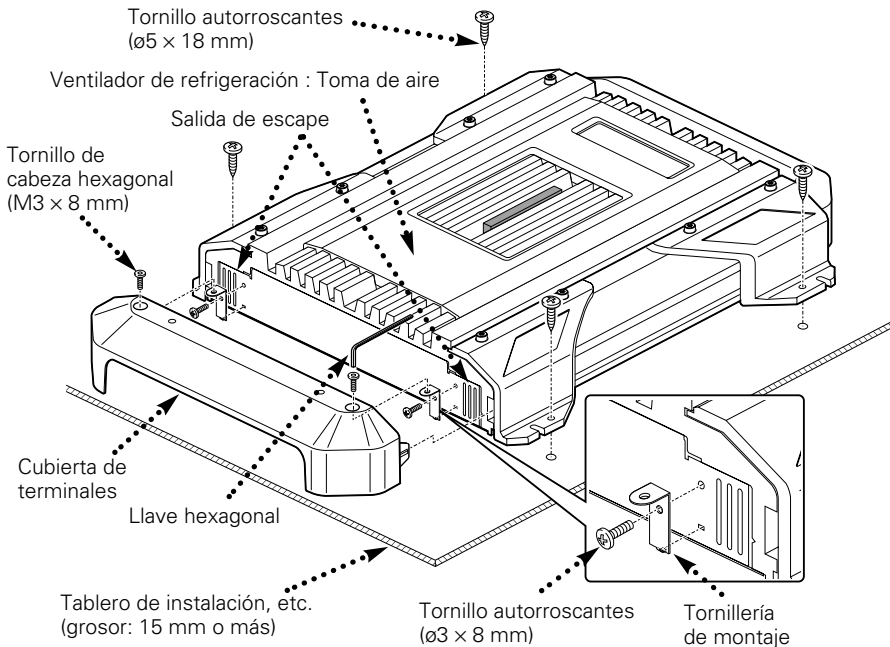
Función de protección

Existe una función de Protección instalada en la unidad para proteger ésta y los altavoces de diversos problemas que pudieran presentarse. Cuando está activada la función de Protección, el indicador le informa de esta condición. (Consulte la página 34)

Accesorios

Nombre de pieza	Vista exterior	Unidades
Tornillo autorroscantes (ø5 × 18 mm)		4
Cubierta de terminales		2
Tornillería de montaje		4
Tornillo de cabeza hexagonal (M3 × 8 mm)		4
Tornillo autorroscantes (ø3 × 8 mm)		4
Llave hexagonal		1

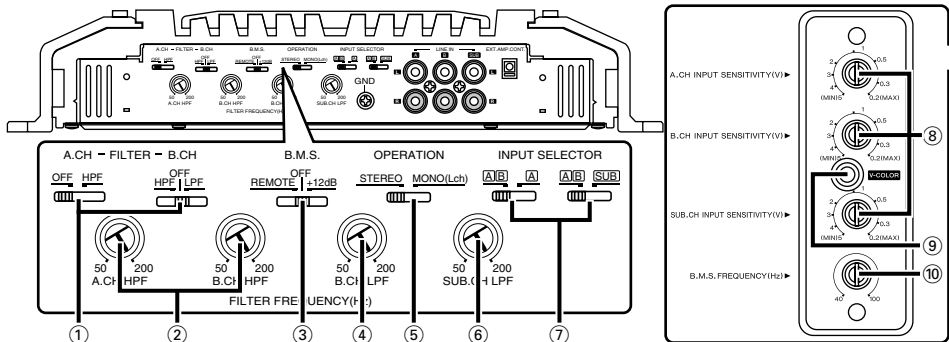
Instalación



1. Coloque los elementos de instalación en la unidad.
2. Coloque la unidad.
3. Instale la cubierta del terminal.

▲PRECAUCIÓN

- No instale el equipo en las siguientes ubicaciones; (Ubicación inestable; En un lugar que interfiera a la conducción; En un lugar en el que pueda mojarse; En un lugar con exceso de polvo; En un lugar en el que pueda recalentarse; En un lugar en el que reciba la luz directa del sol; En un lugar situado en el flujo de aire caliente)
- No utilice el aparato bajo una alfombra porque en caso contrario, éste podría sobrecalentarse y estropearse.
- Instale este aparato en un lugar donde el calor pueda disiparse fácilmente. Una vez instalado, no ponga nada sobre él.
- La temperatura de la superficie del amplificador se elevará durante su uso. Instale el amplificador en un lugar seguro donde personas, resinas y otras sustancias sensibles al calor no entren en contacto con esta superficie.
- Esta unidad tiene ventiladores de enfriamiento para reducir la temperatura interior. Tenga cuidado para no taponar las aberturas de los ventiladores de enfriamiento cuando instale la unidad. Al taponar estas aberturas no podrá reducirse adecuadamente la temperatura interior y podrá producirse un fallo en el funcionamiento.
- Cuando haga un orificio bajo el asiento o en el portaequipajes o en algún otro lugar del vehículo, verifique que no existan objetos peligrosos al lado opuesto tales como un tanque de gasolina, tubo del freno, o los alambres del cableado del coche y tenga cuidado de no rayar las piezas del vehículo o causar algún otro daño.
- No lo instale cerca del panel de controles, bandeja trasera, o piezas de seguridad del colchón de aire.
- La instalación de esta unidad debe ser realizada en un lugar donde no estorbe la conducción. Si la unidad se sale de su posición debido a un choque y golpea a una persona o a alguna pieza de seguridad, puede causar o un accidente.
- Después de instalar el aparato, cerciórese de que los equipos eléctricos (luces de freno, intermitentes y limpiadores) funcionen normalmente.



La unidad es un amplificador de 5 canales que incorpora 2 amplificadores estéreo y un amplificador monocanal, todo en uno.

El amplificador estéreo de un lado se llama amplificador A, mientras que el del otro lado es el amplificador B. El amplificador monocanal se llama amplificador SUB. Combinando los conmutadores y las funciones descritas a continuación, esta unidad amplificadora es compatible con una amplia gama de sistemas.

Acerca D-Class (SUB.CH)

Un amplificador de clase D utiliza una frecuencia inaudible como pulso de conmutación para cambiar el ancho del pulso que representa la señal de música. (P.W.M.: Pulse Width Modulation; Modulación del ancho del pulso)

⑧ Control INPUT SENSITIVITY (sensibilidad de entrada) (A.CH/B.CH/SUB.CH)

Ajustar este control de acuerdo con el nivel de presalida de la unidad central conectada a este amplificador.

Las sensibilidades de los amplificadores A, B y SUB se pueden ajustar independientemente, sin tenerse en cuenta la posición del conmutador selector de entrada.

NOTA

Referir a "Especificaciones" del manual de instrucciones de la unidad central con respecto al nivel de presalida.

⑤ Conmutador de funcionamiento (OPERATION)

Este conmutador permite seleccionar el método de amplificación de las señales de entrada.

Este valor es válido tanto para el amplificador A y B.

• Posición STEREO:

Las señales de entrada derecha e izquierda se amplifican separadamente. Utilice esta posición cuando la unidad se emplee como amplificador estéreo.

• Posición MONO(L):

Amplifica la entrada de señal del lado izquierdo solamente. Póngalo en esta posición y haga las conexiones en puente para utilizarlo como un amplificador mono de alta potencia. (No sale la señal derecha de entrada.)

① Conmutador FILTER (A.CH/B.CH)

Este conmutador permite aplicar la filtración de paso alto o paso bajo a las salidas de los altavoces.

• Posición HPF (filtro de paso alto):

El filtro da salida a la banda de frecuencias más altas que la frecuencia ajustada con el control HPF FREQUENCY.

• Posición OFF:

Todo el ancho de banda sale sin filtración.

• Posición LPF (filtro de paso bajo): (B.CH solamente)

El filtro da salida a la banda de frecuencias más bajas que la frecuencia ajustada con el control LPF FREQUENCY.

La salida del altavoz cambia automáticamente a mono (izquierdo + derecho) y se activa la función de refuerzo de graves.

② Control HPF FREQUENCY (A.CH/B.CH)

Ajusta la frecuencia de corte cuando el conmutador FILTER está en HPF.

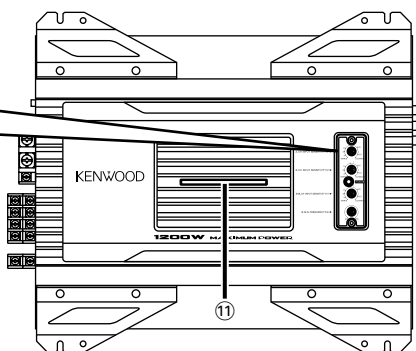
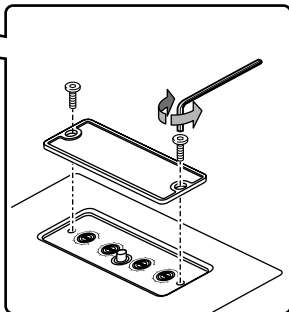
④ Control B.CH LPF FREQUENCY

Ajusta la frecuencia de corte cuando el conmutador FILTER está en LPF.

⑥ Control SUB.CH LPF FREQUENCY

Este control ajusta la salida de la banda de

Desmontar la cubierta



frecuencia de este amplificador SUB.

⑦ **Interruptor INPUT SELECTOR (selector de entrada) (AB/A)**

Este interruptor conmuta la señal de entrada del amplificador B.

• Posición AB:

La entrada para el terminal A es salida para el amplificador A, mientras que la entrada para el terminal B es salida desde el amplificador B.

• Posición A :

La entrada para el terminal A es salida desde los amplificadores A y B.

(AB/SUB)

Este interruptor conmuta la señal de entrada del amplificador SUB.

• Posición AB:

La entrada para los terminales A y B es mezclada y sale desde el amplificador SUB.

• Posición SUB:

El interruptor para el terminal SUB sale mediante el amplificador SUB.

③ **Interruptor B.M.S. (Sistema de gestión de bajos)**

Refuerzo de bajos centrado en la frecuencia establecida mediante el control B.M.S. FREQUENCY.

El B.M.S. sólo se aplica al amplificador SUB.

• Posición +12:

Refuerzo de bajos +12dB

• Posición OFF:

Refuerzo de bajos OFF

• Posición REMOTE:

Controla el B.M.S. desde la unidad central Kenwood. (Consulte la página 33)

⑩ **Control B.M.S. FREQUENCY**

Cuando el interruptor B.M.S. se ajusta en

“+12dB”/“REMOTE” se ajusta la frecuencia central potenciada.

⑨ **Botón de color variable(V-COLOR)**

Seleccione el color ON para el indicador. Cada vez que pulsa el botón, los 7 colores fijos y el color variable cambian. El color no puede ajustarse cuando el indicador parpadea.

■ **Control del B.M.S. desde la unidad central Kenwood (B.M.S. : Sistema de gestión de bajos)**

Cuando el interruptor B.M.S. se ajusta en la posición REMOTE, la cantidad de refuerzo de bajos y el desplazamiento de frecuencia pueden controlarse desde la unidad central.

• Refuerzo de bajos

Pantalla de unidad central	Ajuste
"Flat"/"OFF"/"1"	Refuerzo de bajos OFF (Plano)
"+6"/ "1"/"2"	Refuerzo de bajos +6 dB
"+12"/ "2"/"3"	Refuerzo de bajos +12 dB
"+18"/ "3"/"4"	Refuerzo de bajos +18 dB

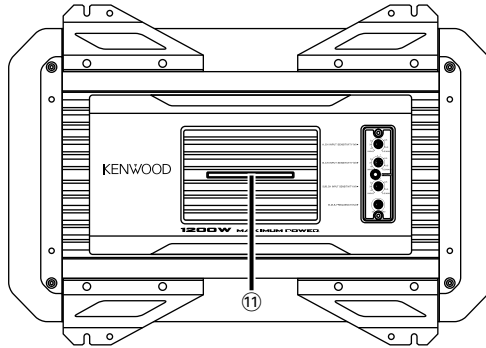
• Desplazamiento de frecuencia

Pantalla de unidad central	Ajuste
"Normal"	Es el valor ajustado.
"Low"	La frecuencia central es un 20-30% menor.

NOTA

Para conocer el método de control de la unidad central y la pantalla de ajustes, consulte el Manual de instrucciones de la unidad central.

Pueden darse casos en los que la unidad central no puede ajustar "Refuerzo de bajos +18dB" o "Desplazamiento de frecuencia".



■ **Indicador**¹¹

Se le indica la condición y malfuncionamiento de la unidad (función Protección) mediante este indicador.

• **ON o cambio de color es en orden.**

Cuando el funcionamiento es normal

NOTA

Puede seleccionar el color que desee con el botón de color variable.

• **Parpadea en azul**

- Durante el funcionamiento
- Cuando la unidad central/interruptor B.M.S. controla el B.M.S.

• **Parpadea en amarillo**

Cuando la tensión de corriente es menor de 11V.

NOTA

La causa puede ser una de las siguientes.

- Cuando la batería del vehículo está débil.
- Cuando la capacidad de la batería es baja.
- Cuando el cable de la batería está desgastado.
- Cuando el cable de la batería es demasiado pequeño o largo y no puede suministrar corriente suficiente.

• **Parpadea en púrpura**

Cuando la unidad ha fallado y se genera tensión de corriente directa hacia la salida del altavoz.

NOTA

DESCONECTE la alimentación y liere la protección. Si el indicador no deja de parpadear, póngase en contacto con el distribuidor Kenwood.

• **Parpadea en rojo**

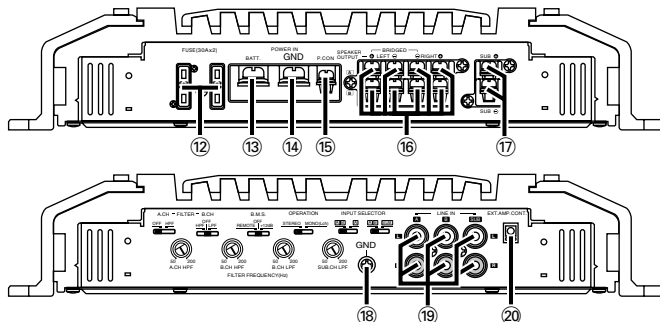
Cuando el interior de la unidad se recalienta.

• **Parpadea en verde**

- Cuando el cable del altavoz está en corto.
- Cuando la salida del altavoz hace contacto con la masa del vehículo.

Conexiones

■ Nombres de los terminales



⑫ **FUSIBLE (30 A × 2)**

⑬ **Terminal BATT (alimentación)**

⑭ **Terminal GND (tierra)**

⑮ **Terminales SPEAKER OUTPUT de amplificador A/B**

• Conexiones estereofónicas:

Cuando desee usar la unidad como un amplificador estereofónico, usted deberá utilizar conexiones estereofónicas. Los altavoces a conectar deberán tener una impedancia de 2 ohmios o mayor. Cuando vaya a conectar múltiples altavoces, asegúrese de que la impedancia combinada sea de 2 ohmios o mayor para cada canal.

• Conexiones en puente:

Cuando desee usar la unidad como un amplificador monoauricular de alta potencia, usted deberá utilizar conexiones en puente. (Haga las conexiones a los terminales de salida de altavoces (SPEAKER OUTPUT) de los canales izquierdo (LEFT) ⊕ y derecho (RIGHT) ⊖.)

Los altavoces a conectar deberán tener una impedancia de 4 ohmios o mayor. Cuando vaya a conectar múltiples altavoces, asegúrese de que la impedancia combinada sea de 4 ohmios o mayor.

▲ PRECAUCIÓN

La entrada nominal de los altavoces no deberá ser inferior a la salida máxima del amplificador. De lo contrario podría producirse una falla en el funcionamiento.

⑰ **Terminal SUB SPEAKER OUTPUT**

Como este apartado acepta altavoces con una impedancia mínima de 2 ohmios, conecte altavoces con una impedancia de 2 ohmios o más a estos terminales.

⑱ **Terminal GND (alambre de tierra del cable RCA)**

Cuando utilice un cable RCA con cable de masa incorporado, conecte el cable de masa a esta terminal.

⑲ **Terminal LINE IN Amp A/B/SUB (entrada de línea)**

⑳ **Terminal del control de corriente (P.CON)**

Controla la CONEXIÓN / DESCONEXIÓN de la unidad.

NOTA

Controla la potencia de la unidad. Asegúrese de conectarlo con todos los sistemas.

㉑ **Terminal de control de amperaje de salida (EXT. AMP. CONT.)**

Controla el B.M.S. Sólo los modelos de unidad central Kenwood vendidos en 1999 o con posterioridad con un cable "EXT.CONT." / "EXT. AMP. CONT." conectado podrán utilizarse. Además, un máximo de 3 amplificadores de potencia pueden funcionar al mismo tiempo.

NOTA

Se dan casos en los que no es posible el funcionamiento debido al tipo y longitud del cable empleado en el cableado.

Conexiones

■ Procedimiento de instalación

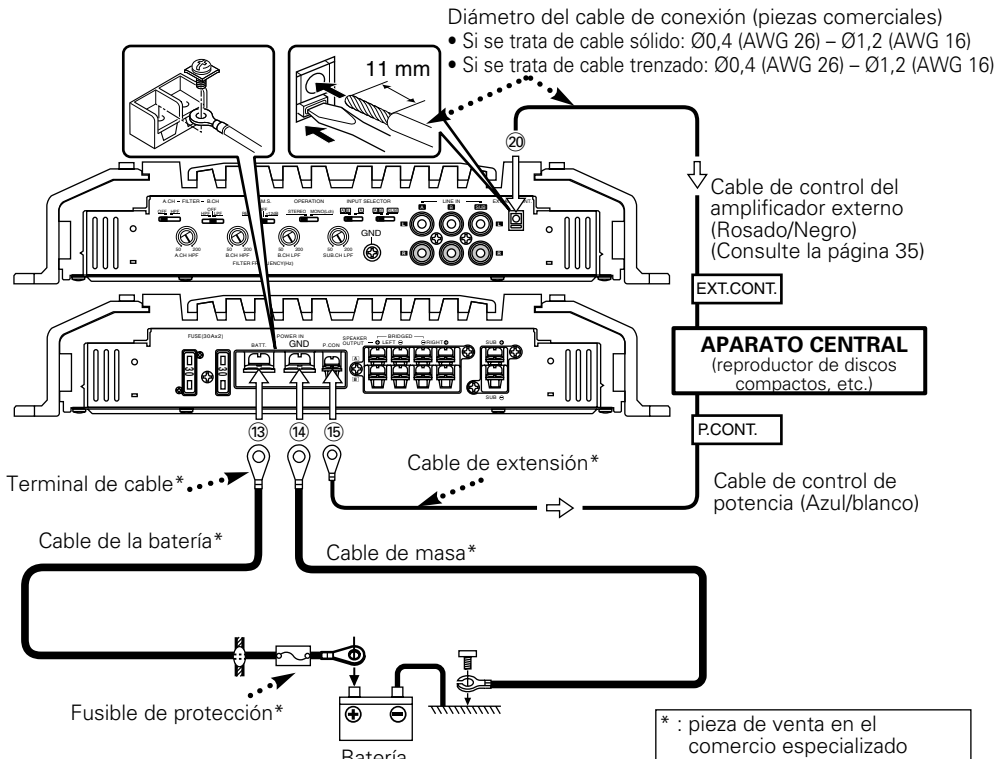
Como se puede hacer una gran variedad de ajustes y conexiones según las aplicaciones, lea atentamente el manual de instrucciones para seleccionar el ajuste y la conexión apropiados.

1. Retire la llave de encendido y desconecte el terminal negativo ⊖ de la batería para evitar cortocircuitos.
2. Prepare el aparato según el uso que vaya a hacer de él.
3. Conecte los cables de entrada y salida de las unidades.
4. Conecte los cables del altavoz.
5. Conecte el cable de alimentación, el cable de control de alimentación y el cable de tierra en este orden.
6. Instale la unidad en el automóvil.
7. Conecte la terminal negativa ⊖ de la batería.

▲PRECAUCIÓN

- Si el sonido no sale normalmente, desconecte inmediatamente la alimentación y compruebe las conexiones.
- No se olvide de desconectar la alimentación antes de cambiar el ajuste de cualquier conmutador.
- Si el fusible se quema, compruebe que no haya un cortocircuito en los cables, luego cambie el fusible por uno que tenga el mismo amperaje.
- Verifique que ninguno de los cables o conectores que están sin conectar se encuentren tocando la carrocería del automóvil. No retire las tapas de los cables o conectores que están sin conectar para evitar de que se produzcan cortocircuitos.
- Conecte los cables del altavoz a los conectores adecuados del altavoz separadamente. La puesta en contacto de terminales de altavoces distintos, o la conexión como toma de tierra de los terminales del altavoz al coche del automóvil, pueden causar daños a la unidad.
- Después de la instalación, compruebe que las lámparas del freno, luces de destello y limpiaparabrisas funcionen correctamente.

■ Conexión del cable de alimentación



▲ADVERTENCIA

Para evitar incendios producidos por cortocircuitos en el cableado, conecte un fusible o cortacircuito entre la batería y los terminales de la batería.

Cableado

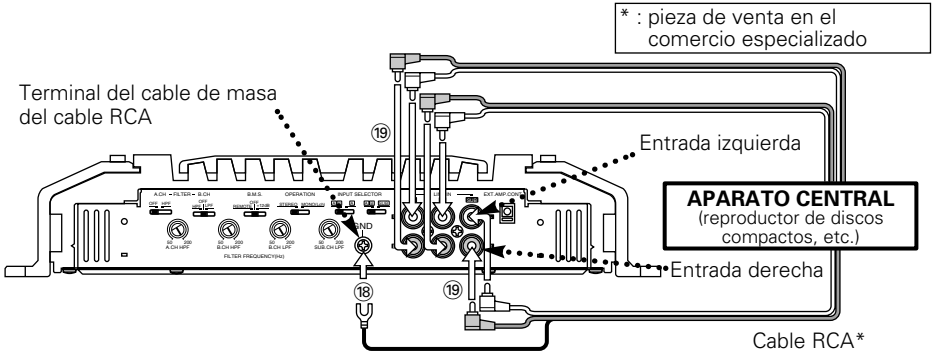
- Lleve el cable de la batería de esta unidad directamente desde la propia batería. Si se conectara al arnés del cableado del vehículo, puede provocar daños en los fusibles, etc.
- Si se produce un ruido de zumbido por los altavoces mientras funciona el motor, conecte un filtro de ruido de línea (vendido por separado) a cada cable de la batería.
- No permita que el cable entre en contacto directo con el borde de la placa de hierro, utilizando para ello arandelas de caucho.
- Conecte los cables de masa a una parte del chasis del automóvil que actúe como puesta a masa por donde pase la electricidad hasta el borne negativo - de la batería. No conecte la alimentación si no están conectados los cables de masa.
- Asegúrese de instalar un fusible de protección en el cable de corriente cerca de la batería. El fusible positivo debería tener la misma capacidad que el de la unidad o algo mayor.
- Para el cable de corriente y la masa, utilice un cable de corriente para vehículos (ignífugo) con una capacidad mayor que la capacidad del fusible de la unidad. (Utilice un cable de corriente con un diámetro de 8 mm² (AWG 8) o mayor)
- Cuando desee utilizar más de un amplificador de potencia, utilice un cable de suministro de alimentación y un fusible de protección de una capacidad de soporte de corriente mayor a la corriente máxima total utilizada por cada amplificador.

Terminal de control de amperaje de salida (EXT.AMP.CONT.) ②

1. Pele el revestimiento del cable unos 11 mm desde el extremo.
2. Mientras presiona el botón de liberación con un destornillador de pala, introduzca el cable.

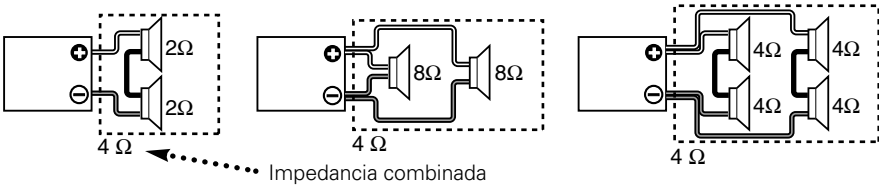
Conexiones

■ Conexión de cable de RCA

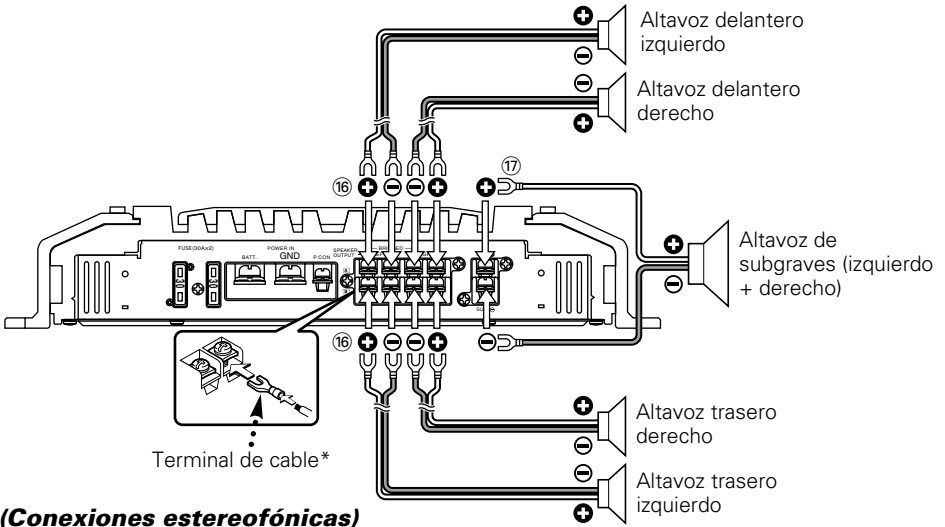


■ Selección de altavoces

- La potencia de entrada asignada de los altavoces que se conecten al amplificador debe ser mayor que la potencia de salida máxima (en Wats) del amplificador. Utilizar altavoces que posean potencias de entrada menores a la salida de entrada del amplificador producirá emisiones de humo y daños.
- La impedancia de los altavoces que se conecten al amplificador debe ser de 2Ω o más (para conexiones estéreo, amplificador SUB), o de 4Ω o más (para las conexiones en puente). Cuando desea utilizar más de un juego de altavoces, calcule la impedancia combinada de estos altavoces y luego conecte adecuadamente los altavoces al amplificador.



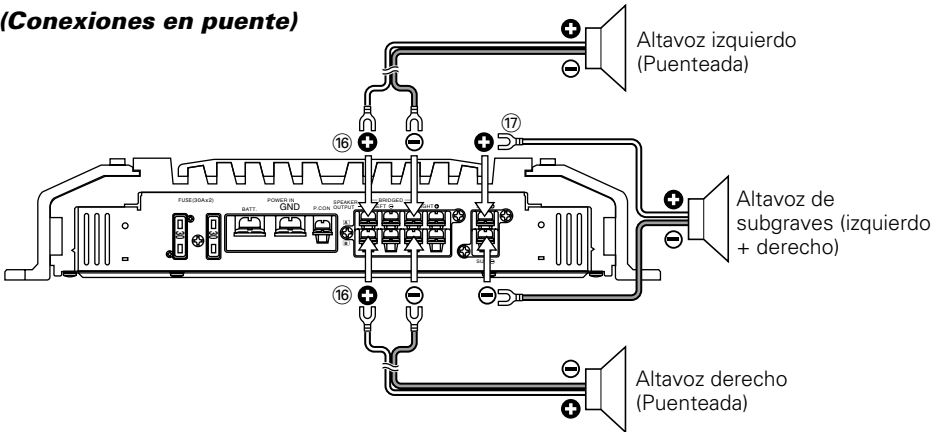
■ **Conexión del cable de los altavoces**



(Conexiones estereofónicas)

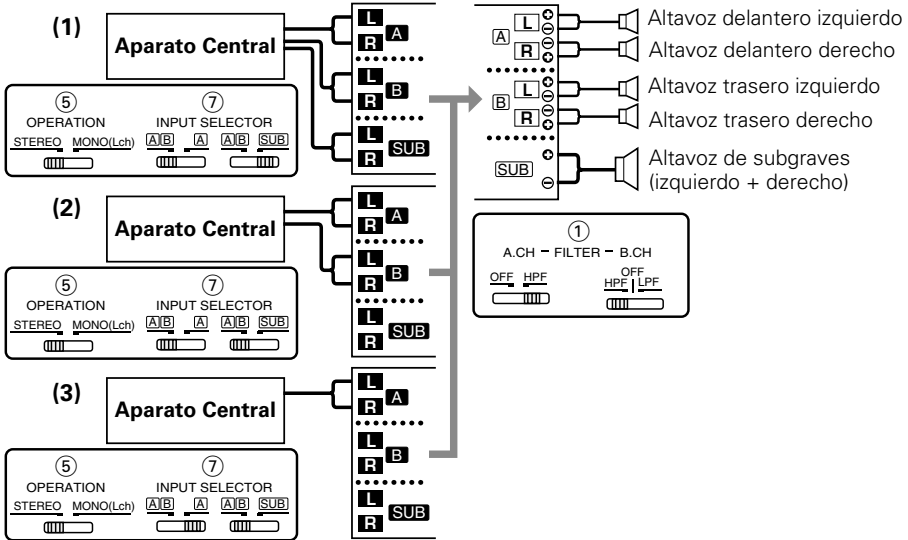
.....

(Conexiones en puente)

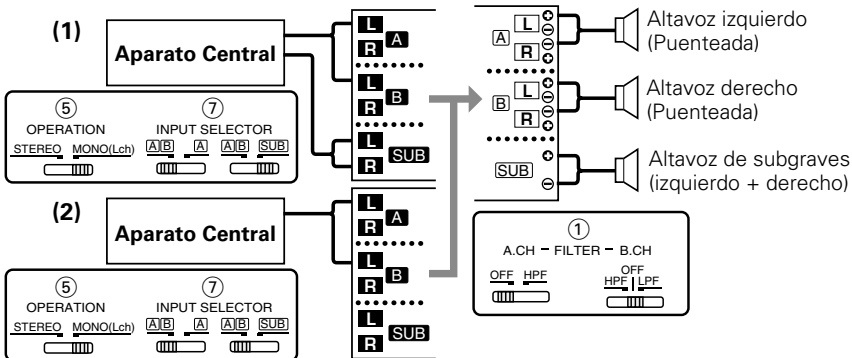


Ejemplos del sistema

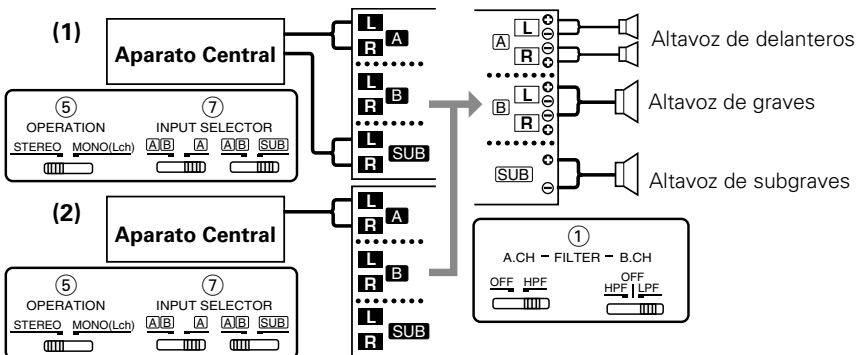
■ Sistema de 5 canales



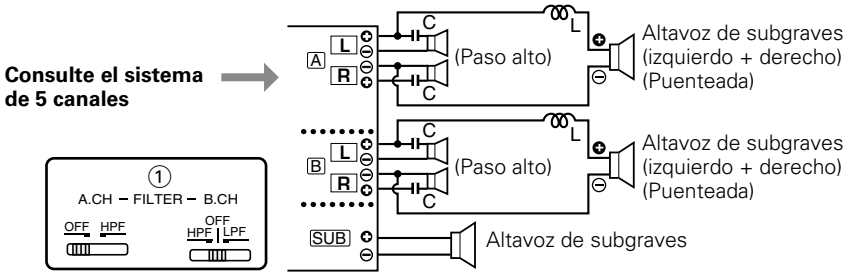
■ Sistema de 3 canales



■ Sistema de 4 canales

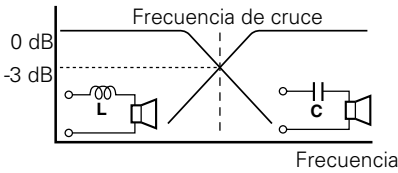


■ Tri-modo



● Propiedades de las bobinas y de los capacitores

Método de división de bandas de frecuencias utilizando una bobina y un capacitor ... en el caso de una inclinación de 6 dB/octava



Bobina (L): Deja paso a las bajas frecuencias y bloquea las altas frecuencias. (Paso bajo)

Capacitor (C): Deja paso a las altas frecuencias y bloquea las bajas frecuencias. (Paso alto)

$$C = \frac{159000}{f_c \times R} (\mu F)$$

f_c = Frecuencia de cruce (Hz)

R = Impedancia de altavoces (Ω)

$$L = \frac{159 \times R}{f_c} (mH)$$

● Ejemplo:

Cuando sea necesario ajustar una frecuencia de cruce de 120 Hz utilizando altavoces con una impedancia de 4 ohmios.

Prepare una bobina y un capacitor de venta en el comercio del ramo que tengan unas especificaciones nominales lo más parecidas a los resultados calculados en la fórmula de arriba. Las especificaciones nominales del capacitor deberán ser lo más parecido posible a 331,25 (μF), y las especificaciones nominales de la bobina deberán ser lo más parecido posible a 5,3 (mH).

▲ PRECAUCIÓN

- Si se desea conectar en puente un altavoz, la impedancia del altavoz no debe ser inferior a 4 ohmios. Conectar un altavoz con una impedancia inferior a 4 ohmios pueden estropear el aparato.
- Asegúrese de conectar los capacitores a los altavoces por los que pasarán las altas frecuencias. No conectar los capacitores o hacerlo de manera deficiente resultará en una caída de la impedancia de combinación con el subwoofer.
- Asegúrese de que la tensión soportada y la capacidad nominal de corriente de los capacitores (C) y bobinas (L) sean suficientes.

Guía Sobre Localización De Averías

Lo que podría parecer una falla de funcionamiento de su unidad podría ser simplemente el resultado de un pequeño error de operación o de un defecto de conexión. Antes de acudir al servicio, verifique primero el siguiente cuadro sobre los problemas que se podrían presentar.

PROBLEMA	CAUSA POSIBLE	SOLUCION
No hay sonido. (No hay sonido de un lado.) (Fusible fundido)	<ul style="list-style-type: none">• Los cables de entrada (salida) están desconectados.• El circuito de protección puede estar activado.• El volumen está demasiado alto.• El cable del altavoz está cortocircuitado.	<ul style="list-style-type: none">• Conecte los cables de entrada (o salida).• Compruebe las conexiones consultando "Indicador".• Reemplace el fusible y utilice volumen bajo.• Después de revisar el cable del altavoz y arreglar la causa del cortocircuito, reemplace el fusible.
El nivel de salida está muy bajo (o muy alto)	El control de ajuste de sensibilidad de entrada no está en la posición correcta.	Ajuste bien el control consultando en "Controles".
La calidad del sonido es mala. (El sonido está distorsionado.)	<ul style="list-style-type: none">• Los cables de los altavoces están conectados con las polaridades ⊕ / ⊖ invertidas.• Un cable de altavoz está pellizcado por un tornillo de la carrocería del automóvil.• Los conmutadores pueden estar mal ajustados.	<ul style="list-style-type: none">• Conéctelos correctamente asegurándose bien de cuáles son los terminales ⊕ y ⊖.• Vuelva a conectar los cables de los altavoces de forma que no queden pellizcados.• Ponga bien los conmutadores consultando "Ejemplos del sistema".
El controlador del amplificador externo (B.M.S.) no funcionará.	<ul style="list-style-type: none">• El ajuste del interruptor B.M.S. es incorrecto.• Se ha aflojado el cable del controlador del amplificador externo.	<ul style="list-style-type: none">• El interruptor B.M.S. se ajusta a "REMOTE".• Compruebe que el cable del controlador del amplificador externo se encuentre correctamente conectado.

Especificaciones

Las especificaciones se encuentran sujetas a cambios sin previo aviso.

Sección de audio

Máxima potencia de salida

Modo de 5 canales	160 W × 4 (4 Ω) + 300 W × 1 (4 Ω)
Modo de 3 canales	300 W × 2 (4 Ω) + 600 W × 1 (2 Ω)

Salida de potencia nominal (+B = 12,0 V)

Modo de 5 canales (4 Ω)	40 W × 4 + 130 W × 1
(20 Hz – 20 kHz, menos del 0,05% de distorsión armónica total) + (20 Hz – 200 Hz, menos del 0,5% de distorsión armónica total)	
Modo de 5 canales (2 Ω)	60 W × 4 + 200 W × 1
(1 kHz, 0,5 % de distorsión armónica total) + (100 Hz, 0,8 % de distorsión armónica total)	
Modo de 3 canales (4 Ω)	120 W × 2 + 130 W × 1
(1 kHz, 0,5 % de distorsión armónica total) + (100 Hz, 0,5 % de distorsión armónica total)	

Salida de potencia nominal (+B = 14,4 V)

Modo de 5 canales (4 Ω)	40 W × 4 + 130 W × 1
(20 Hz – 20 kHz, menos del 0,05% de distorsión armónica total) + (20 Hz – 200 Hz, menos del 0,5% de distorsión armónica total)	
(4 Ω) (DIN45324, +B=14,4 V).....	40 W × 4 + 130 W × 1
(2 Ω)	60 W × 4 + 200 W × 1
(1 kHz, 0,5 % de distorsión armónica total) + (100 Hz, 0,8 % de distorsión armónica total)	
Modo de 3 canales (4 Ω)	120 W × 2 + 130 W × 1
(1 kHz, 0,5 % de distorsión armónica total) + (100 Hz, 0,5 % de distorsión armónica total)	

Respuesta de frecuencia (+0, –3 dB) (A,B canales)5 Hz – 70 kHz
(SUB canal).....15 Hz – 200 Hz

Distorsión armónica total (potencia nominal)* (A,B canales).....0,006 % (1 kHz)
(SUB canal)0,2 % (100 Hz)

Sensibilidad (MAX).....0,2 V (salida nominal)
(MIN).....5,0 V (salida nominal)

Relación señal a ruido (A,B canales)105 dB
(SUB canal).....100 dB

Impedancia de entrada10 kΩ

Frecuencia del filtro pasa altos (12 dB/octava) (A,B canales)50 – 200 Hz (variable)

Frecuencia del filtro pasa bajos (24 dB/octava) (B, SUB canales)50 – 200 Hz (variable)

Frecuencia del filtro infrasónico (24 dB/octava) (SUB canal)15 Hz

B.M.S. (40 – 100 Hz : variable) (SUB canal)OFF / +6 / +12 / +18 dB

Sensibilidad mínima, Filtro de paso bajo (30 kHz)

General

Tensión de funcionamiento (margen de 11 – 16 V permitido)14,4 V

Consumo (+B = 12.0 V, 4 Ω, 10 % de distorsión armónica total)53 A

Dimensiones283 × 58 × 350 mm

11-1/3 × 2-5/16 × 13-3/4 inch

Peso5,7 kg (12,5 lbs)

KENWOOD

Free Manuals Download Website

<http://myh66.com>

<http://usermanuals.us>

<http://www.somanuals.com>

<http://www.4manuals.cc>

<http://www.manual-lib.com>

<http://www.404manual.com>

<http://www.luxmanual.com>

<http://aubethermostatmanual.com>

Golf course search by state

<http://golfingnear.com>

Email search by domain

<http://emailbydomain.com>

Auto manuals search

<http://auto.somanuals.com>

TV manuals search

<http://tv.somanuals.com>