

STEREO SYSTEM RACK

# SRC-603 © / 663 ©

## ASSEMBLY INSTRUCTIONS

**KENWOOD**  
KENWOOD CORPORATION

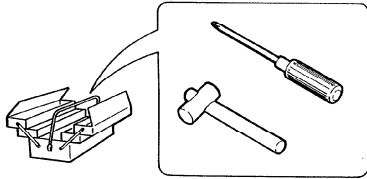
©PRINTED IN U.S.A. B61-0577-00(TOCAB) (K)  
R0343

### IMPORTANT:

- Before operating your new KENWOOD product, read through this assembly manual carefully to get the most out of it.
- Save this assembly instructions.

### Before Assembling

- Be sure to check that all parts are accounted for before disposing of the packing case.
- A Phillips screwdriver and a mallet are required for assembling.
- Be careful not to damage the floor and rack.



### Notes on Assembling

- During assembling, be sure to verify the numbers stamped on the boards.
- Mount the rear panel after assembling the side panel on the bottom shelf at a right angle.
- When mounting the top shelf and kick plate on the side panel, use glue for adhesive. Be sure to remove any excess glue before it dries.
- If the amplifier wobbles when its key switches are pressed, insert a wooden dowel into the hole on the side panel and fix the rear of the amplifier.

### Handling Precautions

- Tempered glass is used for the glass doors for providing sufficient strength. However, pay attention not to apply excessive force or to scratch the doors. Cracking or breaking of the glass may occur.
- When moving the cabinet, remove all the components from the rack before carrying the cabinet. Also do not grasp the top shelf when carrying.
- To allow head radiation from the components, leave a space of 4 inches between the cabinet and wall.
- Do not place the cabinet in a location subject to direct sunlight or near a heater, an air-conditioner, or a place with high humidity.

## IMPORTANT SAFEGUARDS

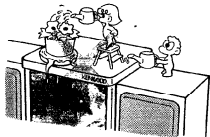
**Caution:** Read this page carefully to keep your safety.

Please read the safety and operating instructions before operating this unit. For best results, follow all warnings placed on the unit and adhere to the operating and use instructions. These safety and operating instructions should be retained for future reference.

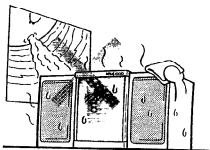
- 1. Suffocation** — After taking the unit out of the polyethylene bag, be sure to dispose of the polyethylene bag out of the reach of children. Otherwise, they may play with the bag, which could cause hazard of suffocation.



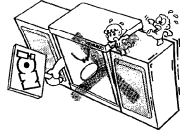
- 2. Water and moisture** — Do not place a liquid container, such as a vase and water basin, on the unit. Also avoid installing the unit in a place subject to dampness.



- 3. Heat** — Do not install the unit near a source of heat, such as a heater, or under direct sunlight.



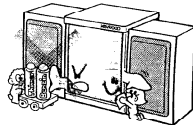
- 4. Impact** — Avoid placing the unit on an unstable surface. Install it on a horizontal surface not subject to excessive dirt or vibration.



- 5. Modification** — Do not attempt to open or modify the unit, for this could cause fire hazard or malfunction.



- 6. Cleaning** — Do not use thinner, benzene or alcohol. When cleaning the unit, wipe with a soft, dry cloth.

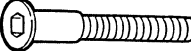








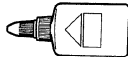
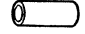
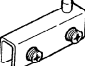
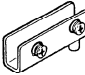
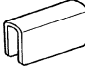



- 7. Abnormal smell** — In the event the unit generates smoke or abnormal smell, immediately switch the power OFF and unplug the power cord. After this, please contact your dealer or nearest service station as soon as possible.

**POWER OFF!**

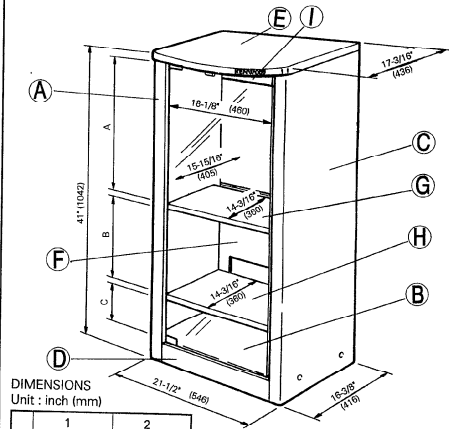


ASSEMBLY INSTRUCTIONS

Item	Description	Q.T.Y.	Part No.
J		4	SRC-603 © S0033
K		12	S0034
L		1	M0018
M		2	P0054
N		1	P0011
O		4	P0053
P		4	G0067
Q		9	W0092
R		2	W0398
S		1	G0012
T		4	M0019
U		1	M0026
V		1	M0027
W		1	M0011
X		1	G0047
Y	Glass Door	1	G0078

ASSEMBLED RACK

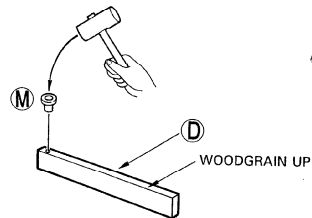
Net weight: 60.6 lbs. (27.5 kg)



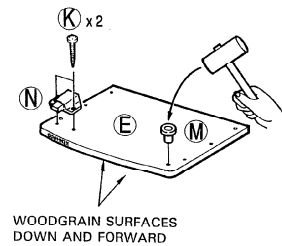
DIMENSIONS  
Unit: inch (mm)

	1	2
A	23-1/4" (590)	19-5/16" (490)
B	8-9/16" (218)	12-1/2" (318)
C	4-5/16" (110)	4-5/16" (110)

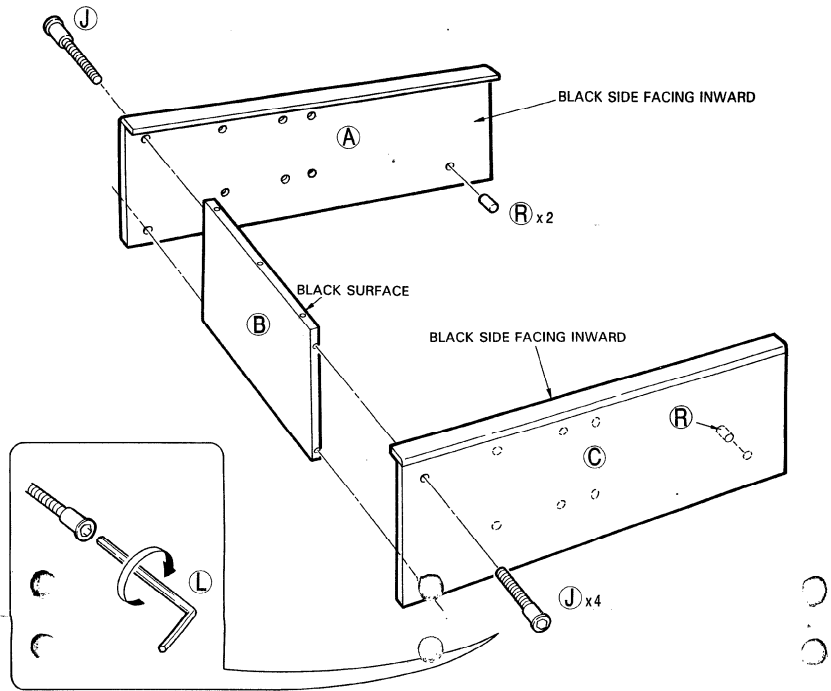
STEP 1



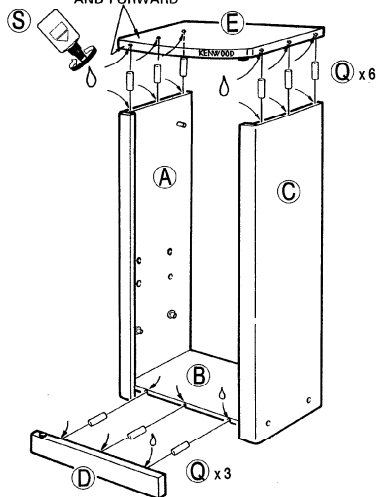
STEP 2



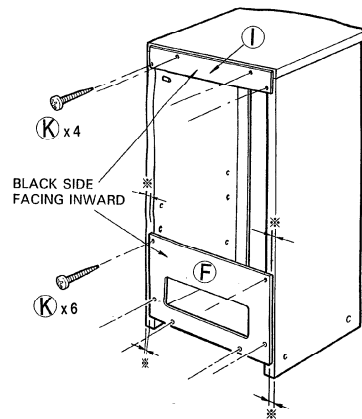
**STEP 3**



**STEP 4** WOODGRAIN SURFACES UP AND FORWARD



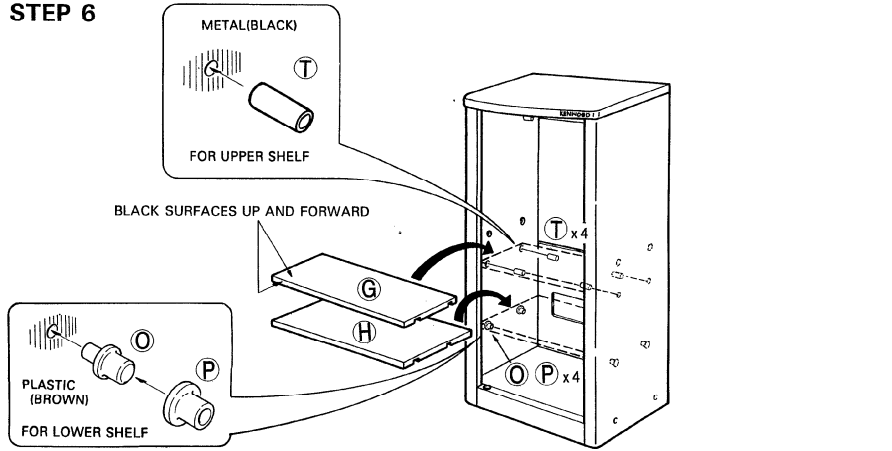
**STEP 5**



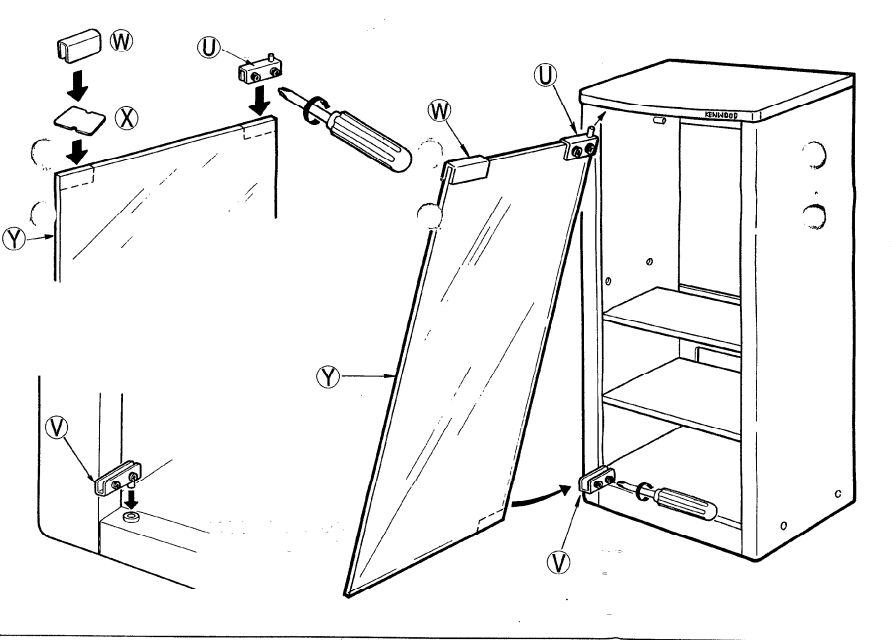
CONTINUED NEXT PAGE

# ASSEMBLY INSTRUCTIONS

## STEP 6



## STEP 7



MODEL: SRC-603©/683 ©		PARTS LIST		ITEM DESCRIPTION	QTY	PART NO.	
ITEM	DESCRIPTION	QTY	PART NO.				
A	LEFT SIDE PANEL	1	XW0689	N	1	P0011	If any parts are MISSING or DAMAGED in this package, circle the item(s) needed on the parts list. Print your name, address, and phone number in the area to the left and mail to: TOCABI AMERICA, 9375 Custom House Plaza Road, Suite 1 San Ysidro, CA 92173, or call (619)-661-6136.
B	BOTTOM BOARD	1	XW0692	O	4	P0053	
C	RIGHT SIDE PANEL	1	XW0688	P	4	G0067	
D	KICK PLATE	1	XW0497	Q	9	W0092	
E	TOP BOARD	1	XW0687	R	2	W0398	
F	BACK BOARD A	1	XW0693	S	1	G0012	
G	SHELF A	1	XW0690	T	4	M0019	
H	SHELF B	1	XW0691	U	1	M0028	
I	BACK BOARD B	1	XW0694	V	1	M0027	
J	CONFIRMAT SCREW	4	S0033	W	1	M0011	
K	SCREW	12	S0034	X	1	G0047	
L	ALLEN WRENCH	1	M0018	Y	1	G0078	
M	HINGE INSERT	2	P0054				

## Free Manuals Download Website

<http://myh66.com>

<http://usermanuals.us>

<http://www.somanuals.com>

<http://www.4manuals.cc>

<http://www.manual-lib.com>

<http://www.404manual.com>

<http://www.luxmanual.com>

<http://aubethermostatmanual.com>

Golf course search by state

<http://golfingnear.com>

Email search by domain

<http://emailbydomain.com>

Auto manuals search

<http://auto.somanuals.com>

TV manuals search

<http://tv.somanuals.com>