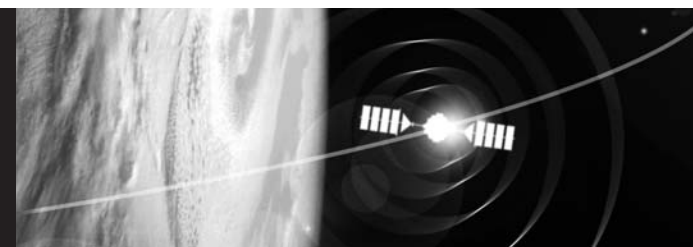


# KENWOOD

# SIRIUS

## DT-7000S

### SIRIUS® Satellite Home Tuner



## Instruction Manual



## Table of contents

Congratulations .....	2
Box contents .....	2
Safety precautions .....	3
Connecting the DT-7000S to your audio system.....	4
Finding a location for the optional Kenwood CX-SRH30 antenna .....	5
Controls and features.....	6
Installing batteries in the remote control .....	7
Using the remote control.....	7
Activating your SIRIUS subscription .....	7
Basic operation .....	7

## CONGRATULATIONS!

Your DT-7000S SIRIUS® home tuner lets you enjoy SIRIUS Satellite's digital entertainment streams through your home entertainment system. Use this manual to familiarize yourself with all of the DT-7000S's features and capabilities.

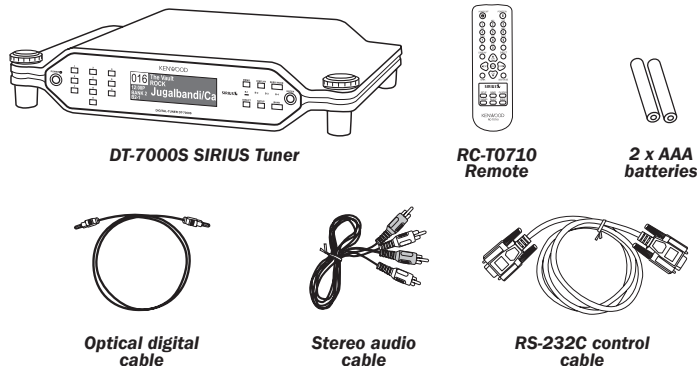
For the latest information about this and other Kenwood products, visit the Kenwood USA Corporation Web site at: [www.kenwoodusa.com](http://www.kenwoodusa.com)

For the latest information about SIRIUS Satellite, visit the SIRIUS Web site at: [www.siriusradio.com](http://www.siriusradio.com)



## Box contents

Unpack your DT-7000S carefully and make sure that everything listed here is present:



If anything is missing or damaged, or if your DT-7000S fails to operate, notify your dealer immediately. If your DT-7000S was shipped to you directly, notify your shipper immediately. Kenwood recommends that you retain the original carton and packing materials in case you need to ship your DT-7000S in the future.

Selecting music .....	8
Setting and using stream presets.....	8
Naming preset banks .....	9
Saving and recalling music information.....	9
Display options.....	10
Setup mode .....	10
Troubleshooting guide.....	13
Specifications.....	13

## Safety precautions

### WARNING:

TO PREVENT FIRE OR ELECTRIC SHOCK, DO NOT EXPOSE THIS TUNER TO RAIN OR MOISTURE.

	<b>CAUTION</b> RISK OF ELECTRIC SHOCK DO NOT OPEN	
CAUTION: TO REDUCE THE RISK OF ELECTRIC SHOCK, DO NOT REMOVE THE COVER OR BACK. NO USER-SERVICEABLE PARTS INSIDE. REFER SERVICING TO QUALIFIED SERVICE PERSONNEL.		
	THE LIGHTNING FLASH WITH ARROW-HEAD SYMBOL, WITHIN AN EQUILATERAL TRIANGLE, IS INTENDED TO ALERT THE USER TO THE PRESENCE OF UNINSULATED "DANGEROUS VOLTAGE" WITHIN THE PRODUCT'S ENCLOSURE THAT MAY BE OF SUFFICIENT MAGNITUDE TO CONSTITUTE A RISK OF ELECTRIC SHOCK TO PERSONS.	
	THE EXCLAMATION POINT WITHIN AN EQUILATERAL TRIANGLE IS INTENDED TO ALERT THE USER TO THE PRESENCE OF IMPORTANT OPERATING AND MAINTENANCE (SERVICING) INSTRUCTIONS IN THE LITERATURE ACCOMPANYING THIS PRODUCT.	

- If the LCD display becomes damaged or broken, do not touch the liquid crystal fluid. The fluid may be dangerous to your health or even fatal. If the liquid crystal fluid contacts your body or clothing, immediately wash it off with soap and water.

### Caution

Take the following precautions to keep the DT-7000S in proper working order:

- Do not install the tuner where it will be exposed to high levels of humidity, moisture, or dust.
- When replacing a fuse, use only a new one with the proper rating. Using a fuse with the wrong rating may cause the tuner to malfunction.

### Resetting the microprocessor

If the DT-7000S doesn't seem to be working properly:

- Turn the tuner's power off, wait 5 – 10 seconds, then turn the power on again.
- If the tuner still mis-operates, unplug the power cord from the wall outlet, wait 5 – 10 seconds, replace plug the cord back into the wall outlet and turn the power back on.

If the problem persists, consult your Kenwood dealer.

### Warning

- If the tuner emits smoke or strange smells, turn the power off immediately, unplug the power cord and consult your Kenwood dealer.
- Do not drop the tuner or subject it to strong shocks.

## Safety precautions (continued)

### FCC Warning

This equipment may generate or use radio frequency energy. Changes or modifications to this equipment may cause harmful interference unless the modifications are expressly approved in this instruction manual. The user could lose the authority to operate this equipment if an unauthorized change or modification is made.

### Note

This equipment has been tested and found to comply with the limits for a Class B digital device, pursuant to Part 15 of the FCC Rules. These limits are designed to provide reasonable protection against harmful interference in a residential installation. This equipment may cause harmful interference to radio communications if it is not installed and used in accordance with these instructions. However, there is no guarantee that interference will not occur in a particular installation. If this equipment does cause harmful interference to radio or television reception, which can be determined by turning the equipment off and on, the user is encouraged to try to correct the interference by one of more of the following measures:

- Reorient or relocate the receiving antenna
- Increase the separation between the equipment and receiver
- Connect the equipment into an outlet on a circuit different from that to which the receiver is connected
- Consult the dealer or an experienced radio/TV technician for help

### Cleaning the DT-7000S

If the tuner becomes dirty, turn its power off and wipe it clean with a soft dry cloth.

Do not use hard cloths or paint thinner, alcohol, or other volatile solvents to clean the tuner. These may cause damage or remove indicator characters.

### Important Safeguards

**Power Source** — Connect the DT-7000S only to a 120V 60Hz AC power supply. If you are not sure of the type of power supply to your home, consult your local power company.

**Power cord protection** — Route the power cord so that it is not likely to be walked-on or pinched by items placed upon or against it.

**CAUTION — Polarization** — The DT-7000S is fitted with a polarized AC plug (having one blade wider than the other).

This plug will fit into the outlet only one way. This is a safety feature. If you are unable to insert the plug fully into the outlet, try reversing the plug. If it should still fail to fit, contact your electrician to replace your obsolete outlet. Do not defeat the safety purpose of the polarized plug.

**Ventilation** — Do not block the ventilation openings on the back of the DT-7000S. Place the tuner at least 4 inches away from the wall. When placing the DT-7000S in a rack or built-in installation, take care to provide proper ventilation.

**Water & moisture** — Do not use the DT-7000S near water; do not expose it to dripping or splashing liquids; do not place objects filled with liquids, such as vases, on the tuner.

**Temperature** — The DT-7000S may not work properly if used at extremely low, or freezing temperatures. The ideal ambient temperature is above 41°F (+5°C).

**Heat** — Do not install the DT-7000S near heat sources such as radiators, heat registers, stoves or other appliances that produce heat.

**Electric shock** — Do not place objects or spill liquids into the ventilation openings. If a metal object comes into contact with the inside of the tuner, a dangerous electric shock may result. Never remove the enclosure. If internal parts are touched accidentally, a serious electric shock could occur.

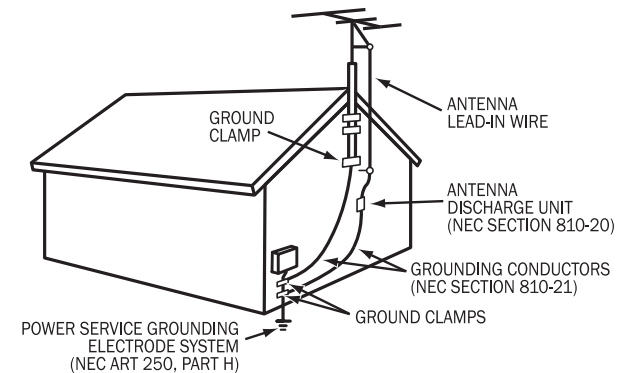
**Lightning** — Unplug the DT-7000S from the wall outlet and disconnect the antenna when it will be unused for a long period of time.

**Damage requiring service** — The DT-7000S should be serviced by qualified service personnel when:

- The power cord or plug has been damaged
- Objects have fallen, or liquid has been spilled into the tuner
- The tuner has been exposed to rain or water
- The tuner does not appear to operate normally by following the instructions in this manual.
- The tuner has been dropped, or its chassis damaged.
- The tuner exhibits a marked change in performance.

**Outdoor antenna grounding** — If an outside antenna is connected to the DT-7000S, be sure the antenna system is grounded so as to provide some protection against voltage surges and built-up static charges. Article 810 of the National Electrical Code ANSI/NFPA 70 provides information with respect to proper grounding of the mast and supporting structure, grounding of the lead-in wire to an

antenna discharge unit, size of grounding conductors, location of antenna discharge unit, connection to grounding electrodes, and requirements for the grounding electrode. See the illustration below.



**Power lines** — An outside antenna system should not be located in the vicinity of overhead power lines or other electric light or power circuits, or where it can fall into such power lines or circuits. When installing an outside antenna system, extreme care should be taken to keep from touching such power lines or circuits as contact with them might be fatal.

**Replacement parts** — When replacement parts are required, be sure the service technician has used replacement parts specified by the manufacturer or that have the same characteristics as the original parts. Unauthorized substitutions may result in fire, electric shock, or other hazards.

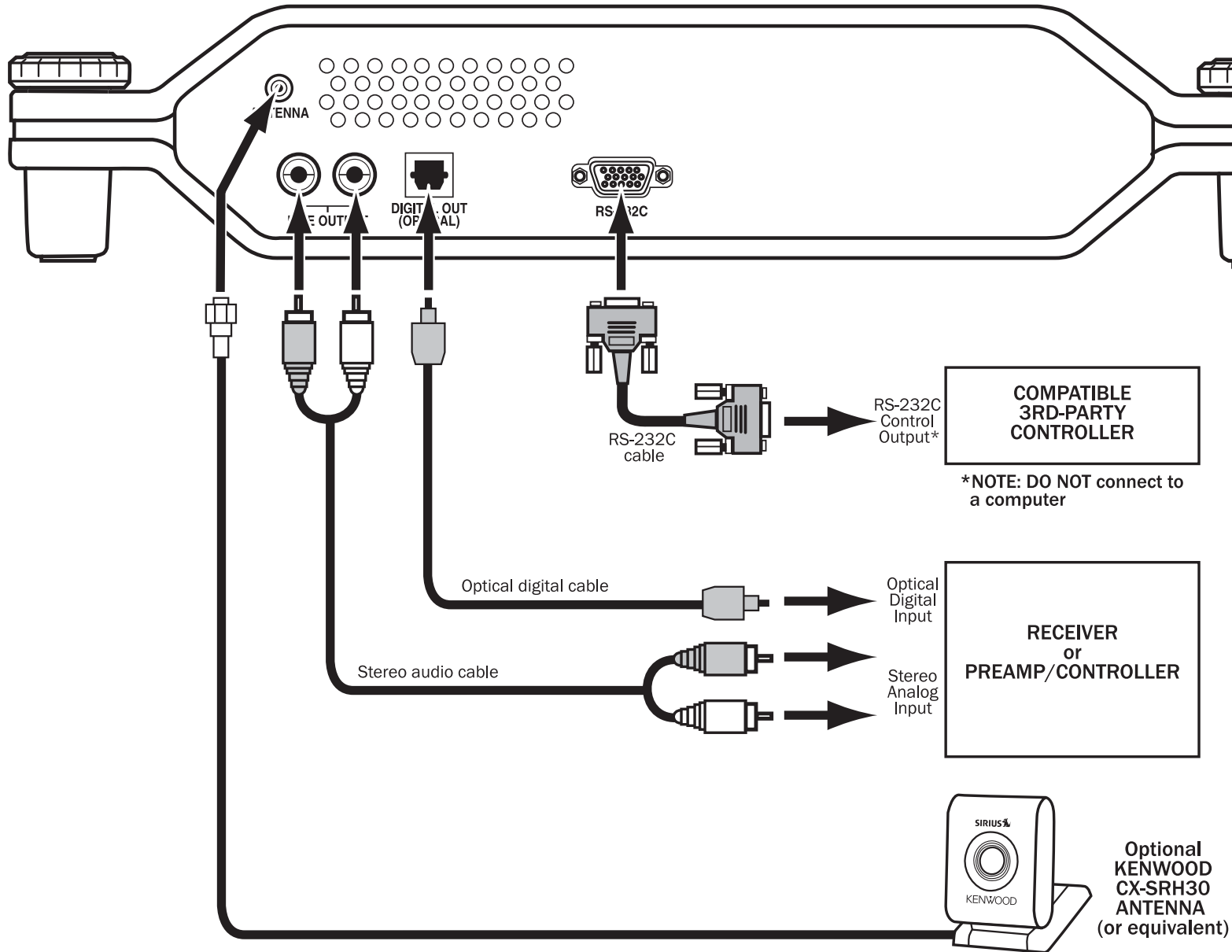
**Attachments** — Only use attachments specified by Kenwood with the DT-7000S.

**Accessories** — Use only with the cart, stand, tripod, or bracket recommended by Kenwood or sold with the DT-7000S. Do not place the tuner on an unstable cart, stand, tripod, bracket or table. When a cart is used, use caution when moving it to avoid tip-overs that can cause injuries.



## Connecting the DT-7000S to your audio system

Use the cables supplied with the DT-7000S to make these connections.



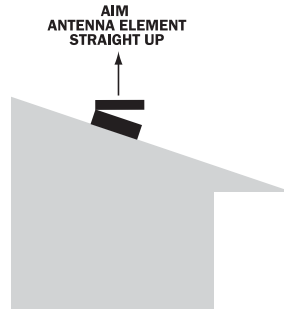
### About the RS-232C connection:

The RS-232C connection is provided to allow the DT-7000S to be controlled by compatible 3rd-party control systems. Kenwood recommends that this connection only be used by experienced professional system installers.

DO NOT connect the RS-232C connection to a computer—it is NOT COMPATIBLE with personal computers.

## Finding a location for the optional Kenwood CX-SRH30 antenna

Due to the paths of the SIRIUS satellites over the US, the best location for the antenna will depend on what part of the country you live in, the orientation of your home, and the locations of any obstructions that could prevent the satellite signal from reaching the antenna.



The best antenna location is on the roof, facing straight up (A, right).

- The location of the "X" on the map must be visible to the antenna.

The second best antenna location is on an outside wall (B - C, right).

Use an appropriate wall, depending on where you live (refer to the map). The location of the "X" on the map must be visible to the antenna.

- Mount the antenna facing as close to straight up as possible (B, right).
- To minimize interference caused by roof extensions, mount the antenna as low on the wall as possible while avoiding other obstructions (C, right).

The third best antenna location is at a window (D, right).

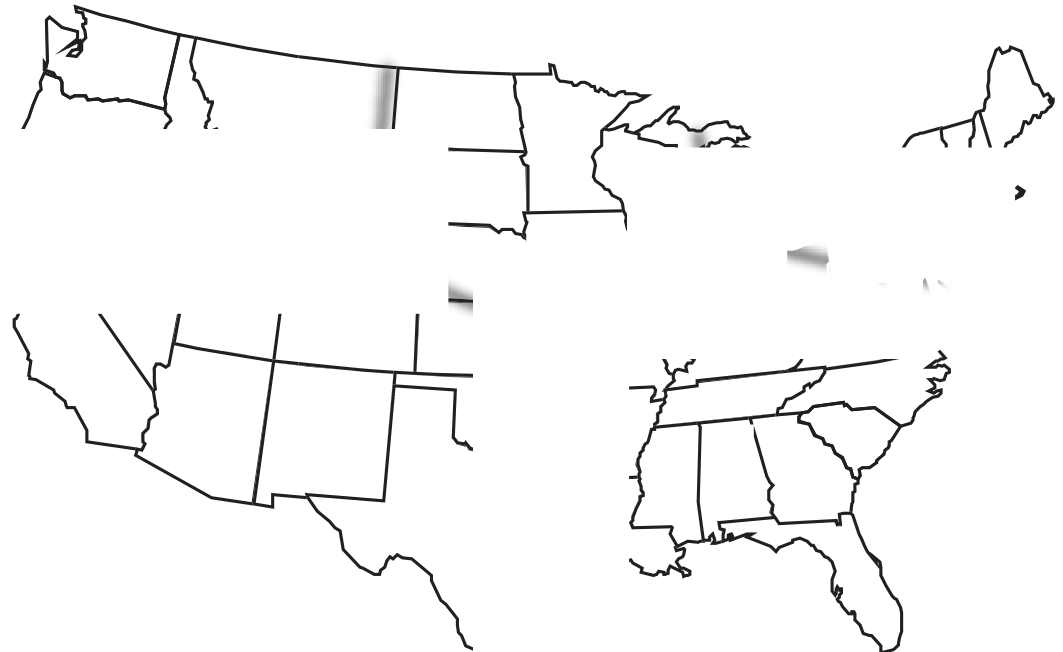
Use an appropriate window, depending on where you live (refer to the map). The location of the "X" on the map must be visible to the antenna.

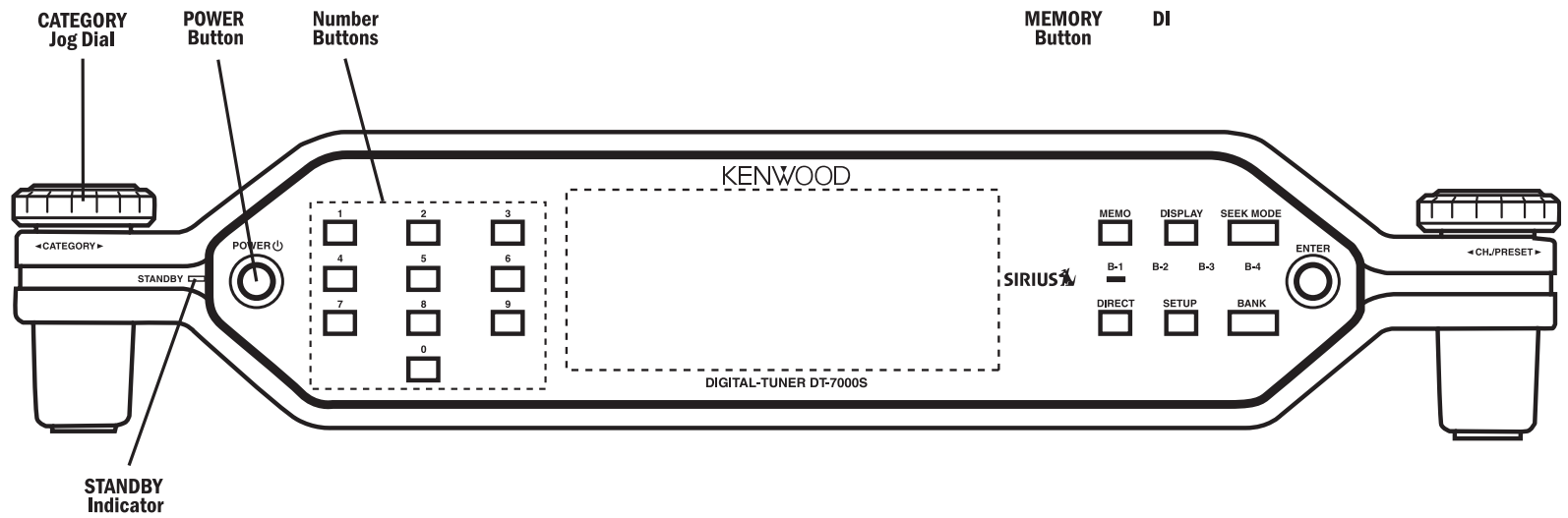
- Place the antenna midway between the left and right window frames.
- Tilt the hinged part of the antenna back to aim it towards the sky.

Note: Objects such as the following can prevent the antenna from receiving the satellite signal when placed at a window or on an outside wall:

- roof extensions
- the window frame
- metallic window screens or tinting
- objects in the window
- nearby objects like trees, foliage or buildings.

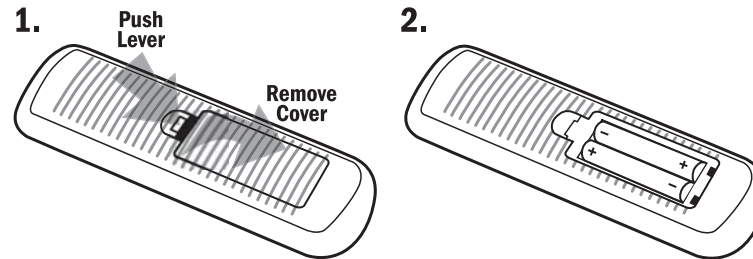
If the signal is blocked from getting to the antenna, the antenna must be relocated to a more appropriate window, an outside wall free of obstructions, or on the roof.





## Installing batteries in the remote

1. Remove the battery cover as shown in diagram #1 (right).
2. Install two AAA batteries as shown in diagram #2 (right).
  - Observe the polarity markings on the inside of the battery compartment
3. Replace the battery cover.



## Using the remote

- The supplied batteries are for operational checks, and may not last as long as alkaline batteries.
- If the remote-controllable distance begins to shorten, replace both batteries with new ones.
- Direct sunlight or light from a high-frequency fluorescent lamp may cause the remote sensor on the DT-7000S front panel to not function properly. If this happens, move the DT-7000S out of this direct light.

## Activating your SIRIUS subscription

Before you can listen to the DT-7000S, you must subscribe to SIRIUS Satellite's service.

1. Make sure that the DT-7000S is properly connected to your audio system and that the antenna is oriented to receive the SIRIUS satellite signal (see pages 4 – 5 for details)
3. Press the power button to turn the DT-7000S on. After displaying the Kenwood and SIRIUS logos, the display will read "Acquiring Signal". Once the SIRIUS satellite signal is received, the display will change to "Call 1-888-539-SIRIUS to Subscribe".
4. If your DT-7000S has been properly connected and the antenna is receiving the SIRIUS signal (preview stream #184) you will hear audio. If you do not hear audio, re-orient the antenna until you do. (See *Antenna Signal*, on page 12 to use the ANTENNA SIGNAL screen.)
  - Stream # 184 is the SIRIUS preview stream. You will not be able to tune to any other streams until you activate your SIRIUS subscription.
5. Press the SETUP button to enter the Setup Mode.
6. Your unit's unique 12-digit SIRIUS ID Number will be displayed (*below*). Write the number down and have your credit card handy.
7. Contact SIRIUS on the Internet at: [www.siriusradio.com](http://www.siriusradio.com). Click on the "Activate Your Subscription" link.
  - You can also call SIRIUS toll-free at 1-888-539-SIRIUS (7474). The operator will instruct you.
8. Once your subscription has been activated, the display will read "Subscription Updated" for 3 seconds, then will revert to the Normal Operation screen.



**SIRIUS ID Screen**

## Basic operation

After you have activated your SIRIUS subscription, the Normal Operation screen will appear (*right*):

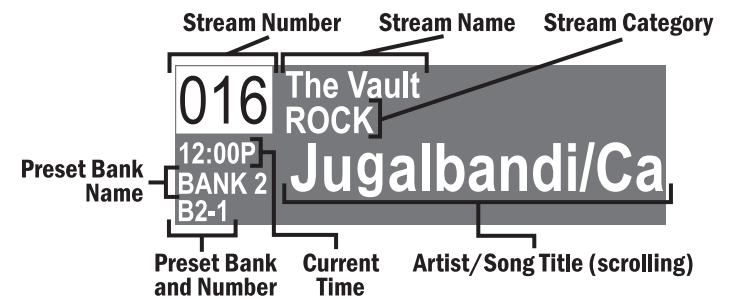
Use the CH./PRESET jog dial (front panel) or CH Buttons (remote) to select streams.

- The selected stream will automatically play

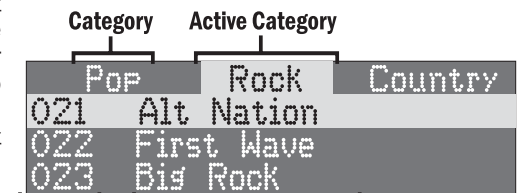
The name and artist of the currently-playing song will scroll across the display

If you want to listen to a different entertainment category, turn the CATEGORY jog dial (front panel) or press the CAT buttons (remote) to activate the Category Select screen (*right*) and select entertainment categories:

1. When the category you want is highlighted, use the CH./PRESET jog dial (front panel) or CH buttons (remote) to highlight streams.
2. When the stream you want is highlighted, press the ENTER button to listen to the stream. The display will revert to the Normal Operation screen for that stream.
  - You can switch to the previously-selected stream by holding the ENTER button for at least 1 second. Holding the ENTER button for 1 second again switches back to the original stream.
  - If no streams are available in a category, or if all of the streams are set to be skipped or locked, the display will read "No Channels Available" when that category is highlighted. (See *Channel Skip/Lock* on pg 11.)



**Normal Operation Screen**



**Category Select Screen**

## Selecting entertainment

In addition to the Normal Operation and Category Select screens, the DT-7000S has three ways to search for and select entertainment: by stream, by artist, and by song.

### Selecting entertainment by stream (Stream List Mode)

1. Press the ENTER button while in the Normal Operation mode. The Stream List screen will appear, showing all available streams regardless of category (*below*):
2. Use the CH./PRESET jog dial (front panel) or CH Buttons (remote) to move through the list of streams.
3. When the stream you want is highlighted, press the ENTER button to play the stream. The display will automatically return to the Normal Operation screen.

Stream Number	Stream Name
120	ESPN Radio Network
121	ESPNews
122	Sports Byline USA
123	Speed Channel Radio

**Stream List Screen**

### Selecting entertainment by artist (Artist List Mode)

1. While the Normal Operation screen is active, press the ENTER button once, then the DISPLAY button once. The Artist List screen will appear, showing all currently-playing artists regardless of category (*below*):

- If composer information is available for a stream, it will be displayed along with the artist information.

2. Use the CH./PRESET jog dial (front panel) or CH buttons (remote) to move through the list of artists.
3. When the artist you want to hear is highlighted, press the ENTER button to listen to them.

020	Ernie Bledsoe
021	Jugalba
022	
023	

- After you make your selection, the display will revert to the Normal Operation screen.

### Selecting entertainment by song (Song List Mode)

1. While the Normal Operation screen is active, press the ENTER button once, then the DISPLAY button twice. The Song List screen will appear, showing all currently-playing songs regardless of category (*right*):
  - Song titles too long to fit on the highlight bar will scroll.
2. Use the CH./PRESET jog dial (front panel) or CH Buttons (remote) to move through the list of songs.
3. When the song you want to hear is highlighted, press the ENTER button to listen to it.

- After you make your selection, the display will revert to the Normal Operation screen

Note: In the Stream List, Artist List and Song List modes, if you don't want to make a selection, press the SETUP button to exit the mode and return to the Normal Operation screen for the active stream.

## Setting/using stream presets

### Setting stream presets

You can store up to 80 of your favorite streams as presets, for quick access. Presets are stored in 4 nameable banks, each containing 20 stream presets.

1. Press the BANK button to activate the preset bank you want. The selected bank is shown in the lower left corner of the Normal Operation Screen (*right*).
2. Select the stream you want to preset (see *Basic Operation* and *Selecting entertainment*, pages 7 - 8).
3. Hold the number button you want to store the stream in for at least 2 seconds.
  - To store presets 10 - 20, touch the "1" button, then immediately hold the second number button for at least 2 seconds. For example, to set preset 12, touch the "1" button, then immediately hold the "2" button for at least 2 seconds.
  - The selected preset number will flash and then remain lit on the display to show that it has been memorized.
  - If the preset button already has a stream stored in it, it will be replaced with the new stream.

### Tuning stream presets

The 20 presets in the active bank can be selected by pressing the number buttons.

1. Press the BANK button to cycle through the four banks of preset stations. The display will show the current preset bank and active preset number in the lower left corner.
2. When the desired preset bank is displayed, use the number buttons to select the desired preset stream.

### Searching for a stream preset (Preset List Screen)

There are two ways you can search for a stream preset.

For both, press the SEEK button to enter the Preset Tune mode. The Normal Operation Screen will change so that the preset bank and preset number will be highlighted (*right*).

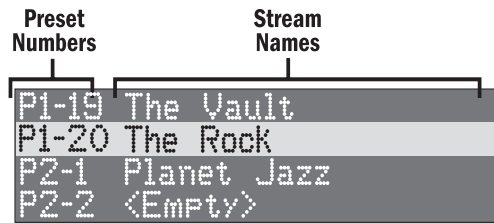
Option 1: Use the CH./PRESET jog dial (front panel) or CH Buttons (remote) to move through



the presets. Each time you change a preset its number will appear on the display and the stream will play.

Option 2: Press the ENTER button. The Preset List Screen will appear on the display, listing all of the stream presets that have been programmed in all 4 banks (*right*)

- Use the CH./PRESET jog dial (front panel) or CH Buttons (remote) to scroll through the list. When the desired stream is highlighted on the display, press the ENTER button to select it.



**Preset List Screen**

### Naming preset banks

You can personalize the four banks of stream presets by assigning a name (up to 6 characters) to each one. For example, you can set up different preset banks for family members ('Dad', 'Billy', etc.), or assign a particular type of music to each one ('Mellow', 'Party', etc.).

Note: Although you can use the corresponding buttons on the unit to name the banks, it is simpler to use the remote.

1. Press the SETUP button to enter the Setup Mode.
2. Press the CAT buttons until the Bank Name Input screen appears (*top, right*).
3. Press the CH button once. The Bank Select screen will appear (*second, right*). Use the 4 arrow buttons to highlight the bank you want to name.
4. Press the ENTER button. The Bank Naming screen will appear (*above*). Press the DELETE button multiple times to delete all the letters of the existing name. (Note: There is no DELETE button on the unit.)
5. Press a number button multiple times to select the letters you want (*right*). When the letter you want is highlighted, press the ENTER button. The letter will appear in the name.
  - To add spaces, press the SPACE button. (Note: There is no SPACE

button on the unit.)

- If you make a mistake, use the CH buttons to move the cursor to the left of the letter you want to delete, and press the DELETE button.
6. Repeat Step 5 to complete the name (*top, right*).
  7. Press the ENTER button to save your choice (*second, right*).

Press the SETUP button twice to exit the Setup Mode.

### Saving/recalling music information

#### Saving music information

You can store the name of the currently-playing song and artist (and composer, if the data is available) into memory for recall later.

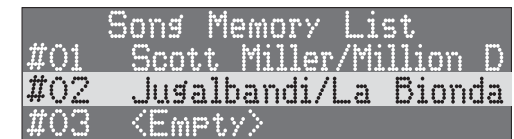
Press the MEMO button to save the data. The Data Saved screen will display the following message for a few seconds (*above*):



- You can save data for up to 24 songs. Once all 24 places have been filled, any new artist/song data you save will replace the oldest data.
- If the song has already been stored in memory, the display will read "Already Stored".

#### Recalling music information

1. Hold the MEMO button for more than 1 second. The Song Memory List screen will appear (*right*):
2. Use the CH./PRESET jog dial or CH buttons to scroll through the list.



**Song Memory List Screen**

Press the MEMO button to exit.

#### Activating Song Seek

You can have the DT-7000S auto-matically prompt you when any of the songs saved on the Song Memory List is playing on any stream.

1. Activate the Song Memory List screen (see previous section).
2. Use the CH./PRESET jog dial or CH buttons to scroll through the list of saved songs until the one you want is highlighted.
3. Press and release the ENTER button. An "S" will appear next to the song's name (*above*). Press the MEMO button to exit.



4. When one (or more) of the selected songs is playing on any stream, an alert screen will be superimposed over the data on the original screen (*below*).

- The number on the screen will count down from '10' to '0'.

To hear the song, press the ENTER button before the counter reaches zero; to make the alert screen disappear, press the SETUP button on the front panel. The DT-7000S will switch to the stream that is playing the song.

- If you do nothing, the alert screen will disappear when the counter reaches zero.



## Display options

### Changing display modes

The Normal Operation Screen has two modes, Normal and Large Font (*right*).

Press the DISPLAY button to cycle the display between the two modes.

### Adjusting the display brightness

- Press the DIMMER button on the remote to cycle the display through the three brightness levels (high/medium/low).

## Setup Mode

The Setup Mode lets you access and set up the following features: SID (SIRIUS ID Number), Clock, Alarm, Channel Skip/Lock, Lock Code Setup, Auto Shutoff, Startup Mode, Output Level, Antenna Signal and Preset Bank Naming.

To enter the Setup Mode, press the SETUP button.

### SID

When you first enter the Setup Mode, the unit's unique 12-digit SIRIUS ID Number will be displayed (*right*):

### Clock Setup

The DT-7000S has an automatic clock that receives its time signal as part of the SIRIUS satellite stream.

To set the clock, you need to tell the DT-7000S what time zone you live in and if your local area observes Daylight Savings Time.

1. While in the Setup Mode, turn the CATEGORY jog dial (unit) or press the CAT buttons (remote) until the Auto Clock Setup screen appears (*right*).

2. Turn the CH/PRESET jog dial (unit) or press the CH buttons (remote) once and the Time Zone Setup screen appears (*middle, right*).

3. Turn the CH/PRESET jog dial (unit) or press the CH buttons (remote) until your time zone is highlighted, then press the ENTER button.

- The screen will change to the Daylight Savings screen (*below, right*).

3. If your local area observes Daylight Savings Time, press the ENTER button so an "X" appears in the box on the display's fourth line; if your local area does not observe Daylight Savings Time, press the ENTER button so that the box is empty.

Press the SETUP button to exit.

## Timer Functions

The DT-7000S has three Timer functions. The Alarm turns the DT-7000S on at a specified time and to a specified stream, Auto Shut-Off automatically turns it off at a specified time, and the Sleep Timer lets you listen to the DT-7000S for a specified period of time before it automatically shuts off.

### Setting the Alarm

1. While in the Setup Mode, turn the CATEGORY jog dial (unit) or press the CAT buttons (remote) until the Alarm Clock Setup screen appears (*right*).

2. Turn the CH/PRESET jog dial (unit) or press the CH buttons (remote). The Step 1 – Set Alarm Time screen appears (*lower, right*).

3. Use the CH/PRESET jog dial (unit) or press the CH buttons (remote) to set the hour you want the DT-7000S to turn on. (The alarm will automatically switch from AM to PM.)

4. When the display shows the correct hour, turn the CATEGORY jog dial (unit) or press the CAT buttons (remote) to highlight the minutes. Use the CH/PRESET jog dial (unit) or press the CH buttons (remote) to set the minute you want the DT-7000S to turn on.

5. When the display shows the correct hour and minute, press the ENTER button to turn the alarm on.

021	Alt Nation
022	First Wave
023	Big R

6. Press the MEMO button to save your settings. The Step 2—Set Stream screen will appear (*right*).

7. Use the CH/PRESET jog dial (unit) or press the CH buttons (remote) to move through the streams until the one you want is highlighted. (The stream will play.)

8. Press the ENTER button to save your setting. The Alarm Setup screen will reappear.

Press the SETUP button to exit the Setup Mode.

### Using the alarm

At the specified time (see *Setting The Alarm*), the DT-7000S will automatically turn itself on to the selected stream.

- The selected stream will play and the time display will flash positive and negative.

*Note: To hear the DT-7000S, make sure that the audio system it is connected to is turned on.*

To enter the “Snooze” mode, press any button *once*.

- The Snooze cycle is 10 minutes long.
- You can repeat the Snooze cycle as many times as you want.

To shut the alarm off, press any button *twice*. (This shuts the DT-7000S completely off.)

To continue listening to SIRIUS after you’ve shut the alarm off, press the POWER button.

### Auto Shutoff

You can set DT-7000S to automatically shut off if it is accidentally left on (if a button isn’t pressed for 15, 30 or 60 minutes).

1. While in the Setup Mode, turn the CATEGORY jog dial (unit) or press the CAT buttons (remote) until the Auto Shutoff Setup screen appears (*right*).

2. Turn the CH/PRESET jog dial (unit) or press the CH buttons (remote) until the display shows amount of time you want DT-7000S to stay on after the last time a button is pressed before it automatically shuts off. Press the SETUP button to exit.

- When Auto Shutoff is activated, the screen will display a countdown warning 10 seconds before the DT-7000S shuts itself off. Pressing any button during this countdown will cancel the Auto Shutoff process and restore normal operation.

### Sleep Timer

You can program the DT-7000S to play for 30 or 60 minutes and then automatically turn itself off.

1. While listening to SIRIUS, press the ENTER button to enter the Stream List mode.

2. Then hold the ENTER button for at least 1 second. The Timer Setup screen will appear (*right*).

3. Use the CH./PRESET jog dial (unit) or the CH buttons (remote) to highlight the amount of time you want the DT-7000S to play before it shuts off.

4. Press the ENTER button to confirm your selection and activate the Sleep Timer.

When the Sleep Timer is active, the display will return to the Normal Operation screen.

- The display will appear as normal except that every three seconds the timer countdown will replace the stream number. You can still change streams and display modes as normal without shutting the timer off.

To cancel the Sleep Timer, turn the DT-7000S’s power off, then turn it back on again.

*Note: You must re-set the Sleep Timer each time you want to use it.*

### Channel Skip/Lock

This allows you to select streams that you want to skip when scanning up and down the Channel List and Category List screens, or simply when you’re pressing the cursor up & down buttons.

1. While in the Setup Mode, turn the CATEGORY jog dial (unit) or press the CAT buttons (remote) until the Channel Skip/Lock screen appears (*right*).

2. Use the CH/PRESET jog dial (unit) or the CH buttons (remote) to highlight the stream you want. (The highlighted stream will automatically play.)

3. Press the ENTER button to change the highlighted stream’s status from “available” (+) to “skip” (-).

- To exit the Channel Skip function, turn the CATEGORY jog dial (unit) or press the CAT buttons (remote). The screen will display the next Setup Menu item.

You can further lock a stream by placing it in the Channel Lock mode. Locked streams will be unavailable during all tuning modes, and cannot be directly accessed via the remote control.

To lock a stream, in Step 3 above, instead of momentarily pressing the ENTER button, hold the button for more than 1 second. A “-” and a padlock will be displayed next to the stream number.

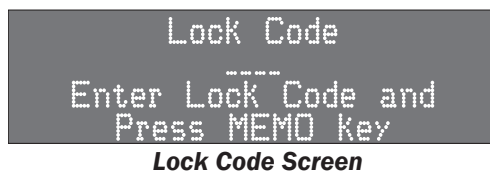
## Lock Code Setup

If you have locked any streams in the Channel Lock mode, you will need to enter a 4-digit lock code to unlock them. The factory default lock code is "1 1 1 1".

You can change the Lock Code to your own preference:

1. While in the Setup Mode, turn the CATEGORY jog dial (unit) or press the CAT buttons (remote) until the Lock Code Setup screen appears (*top, right*):

2. Turn the CH/PRESET jog dial (unit) or press the CH buttons (remote). The Lock Code screen appears (*second, right*):



3. Using the number buttons, enter the factory default code "1 1 1 1". The screen's second line will change from "----" to "\* \* \* \*".

- If you enter an incorrect number, use the left CAT button or jog dial to delete the incorrect number; then re-enter the correct one.

4. Press the MEMO button. The Enter New Lock Code screen appears (*right*).



- If you entered the code incorrectly, "Code Error" will be displayed, and the Enter New Lock Code screen reappears. Repeat Steps 3 - 4.

5. Using the number buttons, enter your new 4-digit code. The screen's second line will change from "----" to "\* \* \* \*".

6. Press the MEMO button. The Confirm Number screen appears (*below*).

7. Re-enter your new 4-digit code. The screen's second line will change from "----" to "\* \* \* \*".

8. Press the MEMO button. The display will change to "New Code Confirmed"

- If you entered the code incorrectly, "Code Error" will be displayed, and the Enter New Lock Code screen reappears. Repeat Steps 5 - 8.

## Startup Mode

You can select which screen is displayed when you turn the DT-7000S's power on.

1. While in the Setup Mode, turn the CATEGORY jog dial (unit) or press the CAT buttons (remote) until the Startup Mode screen appears (*right*):

2. Use the CH/PRESET jog dial (unit) or the CH buttons (remote) to highlight the screen you want for Startup: Normal Operation, Channel List (Stream List) or Category List (see *pages 7 - 8*).

Push the SETUP button to exit.

## Output Level

You can adjust the DT-7000S's output level so it matches other sources in your audio system.

1. While in the Setup Mode, turn the CATEGORY jog dial (unit) or press the CAT buttons (remote) until the Output Level screen appears (*right*):

2. Use the CH/PRESET jog dial (unit) or the CH buttons (remote) to select the desired output level.

- "High" is 0dB, "Medium" is -3dB and "Low" is -6dB.

Push the SETUP button to exit.

## Antenna Signal

This screen shows the quality of the SIRIUS satellite signal that's being received, to help you find the best location for the antenna.

1. While in the Setup Mode, turn the CATEGORY jog dial (unit) or press the CAT buttons (remote) until the Antenna Signal screen appears (*right*):

- After a few seconds the signal quality bars will indicate how well the antenna is receiving the SIRIUS satellite signal.

2. Find a location for the antenna that illuminates the maximum number of bars.

- After moving the antenna, wait at least 2 seconds before moving it again, to enable the unit to process the signal.

3. Due to the moving paths of the SIRIUS satellites, it is possible for the signal to change over time. In most cases, signal should be available continuously, however, it may be temporarily blocked in some antenna locations in home installations. Be sure to check the Antenna Signal screen if there is a loss of signal or audio. Experimentation with antenna placement in the home or outside may be necessary to ensure continuous reception.

- See page 5 for information about properly locating the SIRIUS antenna.

## Troubleshooting guide

<b>Problem</b>	<b>Possible Cause</b>	<b>Solution</b>
No power on DT-7000S (display not illuminated)	Power cord is not properly connected	Make sure the power cord is properly connected
No sound	Audio and/or digital cable is not properly connected	Make sure cable is properly connected
	Incorrect input selected on receiver/controller	Select the receiver/controller input that the DT-7000S is connected to
Display reads "Acquiring Signal"	Signal is weak or can't be found	Check the <i>Antenna Signal</i> screen (see page 12); Change the antenna location to maximize signal quality
	Metallic window screen is interfering with reception	Move antenna to window with a non-metallic screen
Display reads "Antenna Error"	The antenna is not connected	Verify antenna connections
	The antenna or cable is faulty	Replace antenna
Display reads "Call 1-888-539-SIRIUS to Subscribe"	SIRIUS subscription has not been activated	Call SIRIUS to activate your subscription
Display reads "Invalid Channel"	Stream entered is invalid	Select a different SIRIUS stream
DT-7000S operates erroneously	Microprocessor error	Turn the power off (press the POWER button), wait 5 - 10 seconds, then turn the power on again  Turn the unit's power off, unplug the power cord from the wall outlet, wait 5 - 10 seconds, plug the power cord back into the wall outlet and turn the power back on  If the problem persists, consult your Kenwood dealer
Sound mutes intermittently	Metallic window screen is interfering with reception	Move the antenna to a window with a non-metallic screen

### Specifications:

Analog Audio Output Level (1kHz) . . . . .	1.5V RMS (default), 2V (maximum)	Power Consumption . . . . .	7W
Signal-to-Noise Ratio . . . . .	>80dB	Dimensions . . . . .	13-1/2" (w) x 2-5/8" (h) x 11" (d)
THD + Noise (1kHz) . . . . .	<0.05%	Weight . . . . .	4 lb
Digital Audio Output . . . . .	TOS-link optical, PCM format		





# KENWOOD

**Internet**

[www.kenwoodusa.com](http://www.kenwoodusa.com)

**e-mail**

[inquiry@kenwoodusa.com](mailto:inquiry@kenwoodusa.com)

1-800-KENWOOD

**Main Office**

P.O. Box 22745  
Long Beach, CA 90801-5745

©2003 KENWOOD USA Corporation.  
All Rights Reserved.

0020-0903-DT7000 INST



## Free Manuals Download Website

<http://myh66.com>

<http://usermanuals.us>

<http://www.somanuals.com>

<http://www.4manuals.cc>

<http://www.manual-lib.com>

<http://www.404manual.com>

<http://www.luxmanual.com>

<http://aubethermostatmanual.com>

Golf course search by state

<http://golfingnear.com>

Email search by domain

<http://emailbydomain.com>

Auto manuals search

<http://auto.somanuals.com>

TV manuals search

<http://tv.somanuals.com>