

KENWOOD

COMPACT HI-FI SYSTEM

XD-SERIES

XD-855 / XD-855E / XD855

XD-755 / XD-755E / XD755

XD-655 / XD655

INSTRUCTION MANUAL

KENWOOD CORPORATION

This instruction manual is for some models. Model availability and features (functions) may differ depending on the country and sales area.



B60-5014-00 00 (MA) (E2, T, M, M3, M5, X) [KW] 0010 TINSE0371AWZZ

BEFORE APPLYING POWER

⚠ Caution : Read this page carefully to ensure safe operation.

Units are designed for operation as follows.

Europe and U.K. AC 230 V only
 China and Russia AC 220 V only

Other countries AC 110 / 127 / 220 / 230 -
 240 V switchable*

For the United Kingdom

Factory fitted moulded mains plug

1. The mains plug contains a fuse. For replacement, use only a 3-Amp ASTA-approved (BS1362) fuse.
2. The fuse cover must be refitted when replacing the fuse in the moulded plug.
3. Do not cut off the mains plug from this equipment. If the plug fitted is not suitable for the power points in your home or the cable is too short to reach a power point, then obtain an appropriate safety approved extension lead or adapter, or consult your dealer.
 If nonetheless the mains plug is cut off, remove the fuse and dispose of the plug immediately, to avoid a possible shock hazard by inadvertent connection to the mains supply.

IMPORTANT: The wires in the mains lead are coloured in accordance with the following code:

Blue : Neutral
 Brown : Live

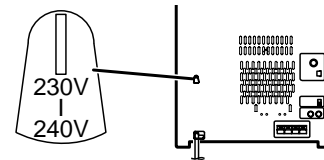
Do not connect those leads to the earth terminal of a three-pin plug.

* AC voltage selection

The AC voltage selector switches on the rear panel are set to the voltage that prevails in the area to which the unit is shipped. Before connecting the power cord to your AC outlet, make sure that the setting positions of these switches match your line voltage. If not, they must be set to your voltage in accordance with the following direction.

AC voltage selector switches





Turn the selector to match your line voltage with a small screwdriver or other pointed tool.
 (110V, 127V, 220V or 230V - 240V AC)



Note: Our warranty does not cover damage caused by excessive line voltage due to improper setting of the AC voltage selector switch.

SAFETY PRECAUTIONS

WARNING : TO PREVENT FIRE OR ELECTRIC SHOCK, DO NOT EXPOSE THIS APPLIANCE TO RAIN OR MOISTURE.

	CAUTION RISK OF ELECTRIC SHOCK DO NOT OPEN		CAUTION: TO REDUCE THE RISK OF ELECTRIC SHOCK, DO NOT REMOVE COVER (OR BACK). NO USER-SERVICEABLE PARTS INSIDE. REFER SERVICING TO QUALIFIED SERVICE PERSONNEL.
	THE LIGHTNING FLASH WITH ARROWHEAD SYMBOL, WITHIN AN EQUILATERAL TRIANGLE, IS INTENDED TO ALERT THE USER TO THE PRESENCE OF UNINSULATED "DANGEROUS VOLTAGE" WITHIN THE PRODUCT'S ENCLOSURE THAT MAY BE OF SUFFICIENT MAGNITUDE TO CONSTITUTE A RISK OF ELECTRIC SHOCK TO PERSONS.		
	THE EXCLAMATION POINT WITHIN AN EQUILATERAL TRIANGLE IS INTENDED TO ALERT THE USER TO THE PRESENCE OF IMPORTANT OPERATING AND MAINTENANCE (SERVICING) INSTRUCTIONS IN THE LITERATURE ACCOMPANYING THE APPLIANCE.		

The marking of products using lasers (Except for some areas)



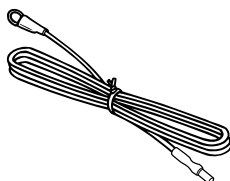
The marking is located on the rear panel and says this product has been classified as Class 1. It means that there is no danger of hazardous radiation outside the product

CONTENTS

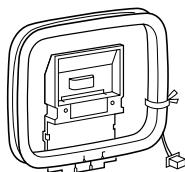
	Page		Page
BEFORE APPLYING POWER	2	RADIO OPERATION	19 - 21
SAFETY PRECAUTIONS	2	RDS (RADIO DATA SYSTEM) OPERATION (For UK and Europe only)	22 - 29
ACCESSORIES	3	CASSETTE OPERATION	30
HANDLING OF DISCS AND TAPES	4	RECORDING (TAPE B only)	31 - 32
NAMES OF CONTROLS AND INDICATORS	5 - 7	HOW TO USE THE BUILT-IN TIMER	33 - 35
PREPARATION FOR USE	8 - 10	USING EXTERNAL UNITS	36
SETTING THE CLOCK	11 - 12	RESETTING THE MICROCOMPUTER	37
SETTING THE CHANNEL SPAN (Except for the Europe and U.K.)	12	TRANSPORTING THE UNIT	37
SOUND CONTROL	13	MAINTENANCE	38
COMPACT DISC OPERATION	14 - 18	SPECIFICATIONS	39 - 40

ACCESSORIES

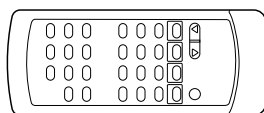
FM Antenna
(1)



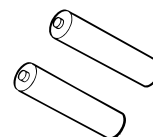
AM Loop Antenna
(1)



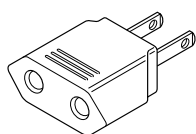
Remote Control
(1)



"AA" size battery (UM/
SUM-3, R6, HP-7 or similar)
(2)



AC Plug Adaptor (1)



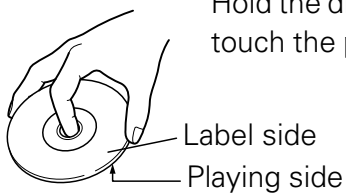
Use to adapt the plug on the power cord to the shape of the wall outlet.
(Accessory only for regions where use is necessary.)

HANDLING OF DISCS AND TAPES

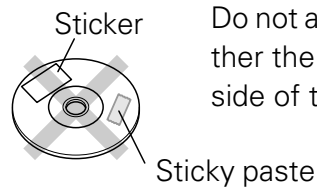
Disc handling precautions

Handling

Hold the discs so that you do not touch the playing surface.

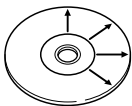


Do not attach paper or tape to either the playing side or the label side of the discs.



Cleaning


If fingerprints or foreign matter become attached to the disc, lightly wipe the disc with a soft cotton cloth (or similar) from the center of the disc outwards in a radial manner.



Storage

When a disc is not to be played for a long period of time, remove it from the player and store it in its case.

Discs which can be played with this unit

CD (12 cm, 8 cm) and the audio part of CDV, CD-G, CD-EG and CD-EXTRA. Use discs that comply with the IEC standard, for example a disc carrying the  marking on the label surface.

Never play a cracked or warped disc

During playback, the disc rotates at high speed in the player. Therefore, to avoid danger, never use a cracked or deformed disc or a disc repaired with tape or adhesive agent. Please do not use discs which are not round because they may cause a malfunction.

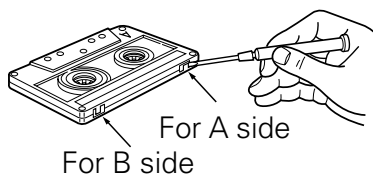
Disc accessories

The disc accessories (stabilizer, protection sheet, protection ring, etc.) which are marketed for improving the sound quality or protecting discs as well as the disc cleaner should not be used with this system because they may cause malfunction.

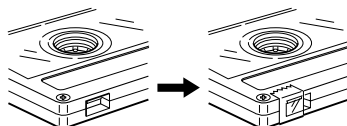
Notes on cassette tape

Safety tab (accidental erasure prevention tab)

After an important recording has been finished, break the safety tab, to prevent the recorded contents from being erased or recorded on accidentally.



To re-record



Apply tape only to the position where the tab has been removed.

Note :

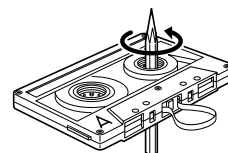
- Do not use an endless tape, as this could damage the mechanism of the unit.
- Do not use a cassette with more than 90 minutes recording time, for the tape used in such a cassette is very thin and tends to cause troubles such as entanglement around the pinch roller or cutting of tape.

To store cassette tapes

Do not store the tapes in a place which is subject to direct sunlight, or near equipment that generates heat. Keep the cassette tapes away from any magnetic field.

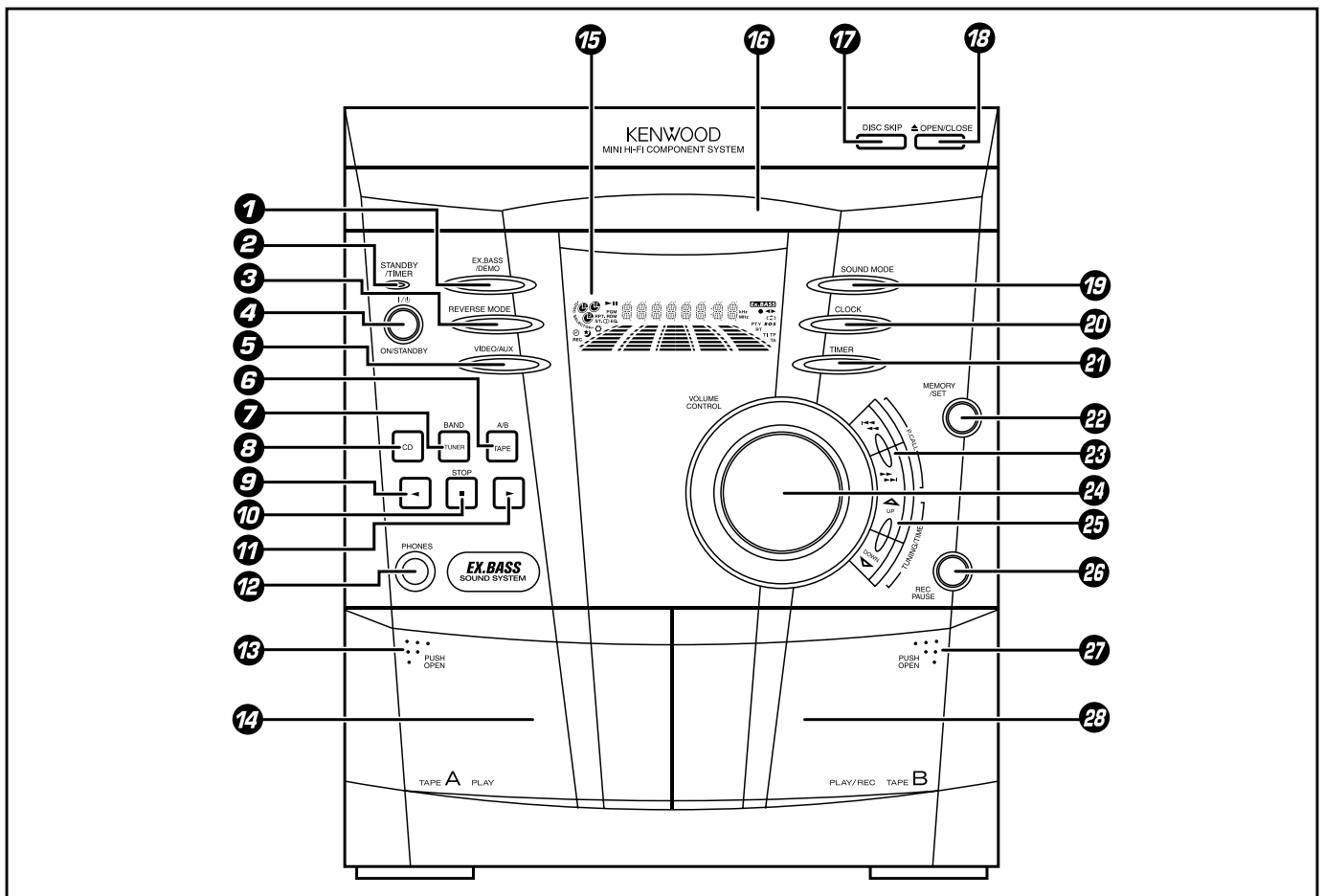
When there is slack in the tape

In such a case, insert a pencil into the reel hole and wind the reel hub to remove the slack.



NAMES OF CONTROLS AND INDICATORS

FRONT PANEL

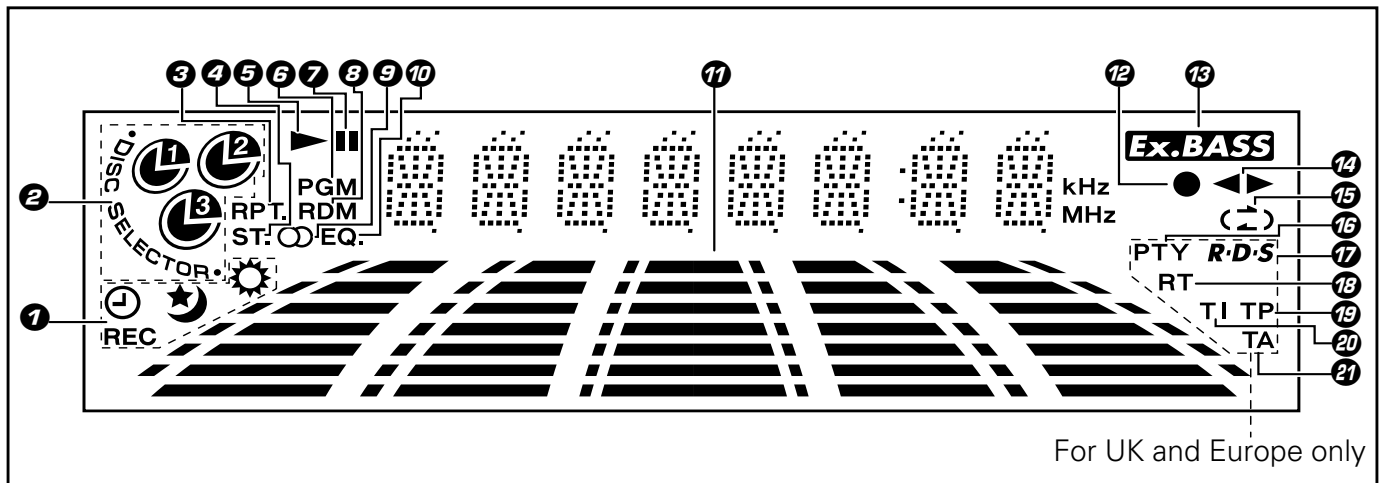


- | | |
|----------------------------------|--------------------------------------|
| 1 EX.BASS / DEMO button | 15 Display |
| 2 STANDBY / TIMER indicator | 16 Disc tray |
| 3 REVERSE MODE button | 17 DISC SKIP button |
| 4 I / ⏻ ON / STANDBY button | 18 ▲ OPEN / CLOSE button |
| 5 VIDEO / AUX button | 19 SOUND MODE button |
| 6 TAPE (A/B) button | 20 CLOCK button |
| 7 TUNER (BAND) button | 21 TIMER button |
| 8 CD button | 22 MEMORY / SET button |
| 9 ◀ (Reverse play) button | 23 P. CALL (◀◀ ◀▶ ▶▶ ▶▶) buttons |
| 10 ■ STOP button | 24 VOLUME CONTROL knob |
| 11 ▶ (Play / repeat) button | 25 TUNING / TIME (▲UP ▼DOWN) buttons |
| 12 PHONES socket | 26 REC PAUSE button |
| 13 PUSH OPEN (Tape A) | 27 PUSH OPEN (Tape B) |
| 14 (TAPE A) cassette compartment | 28 (TAPE B) cassette compartment |

Standby mode

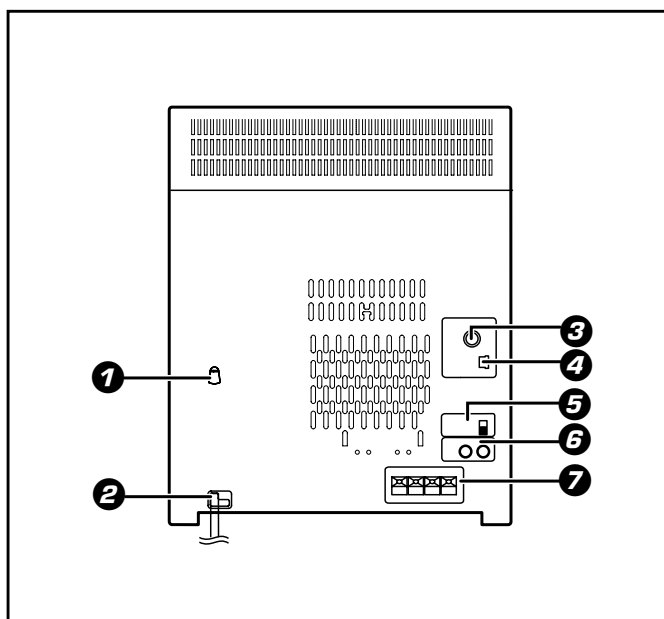
While the standby indicator of the unit is lit, a small amount of current is flowing into the unit's internal circuitry to back up the memory. This condition is referred to as the standby mode of the unit. While the unit is in the standby mode, it can be turned ON from the remote control unit.

DISPLAY



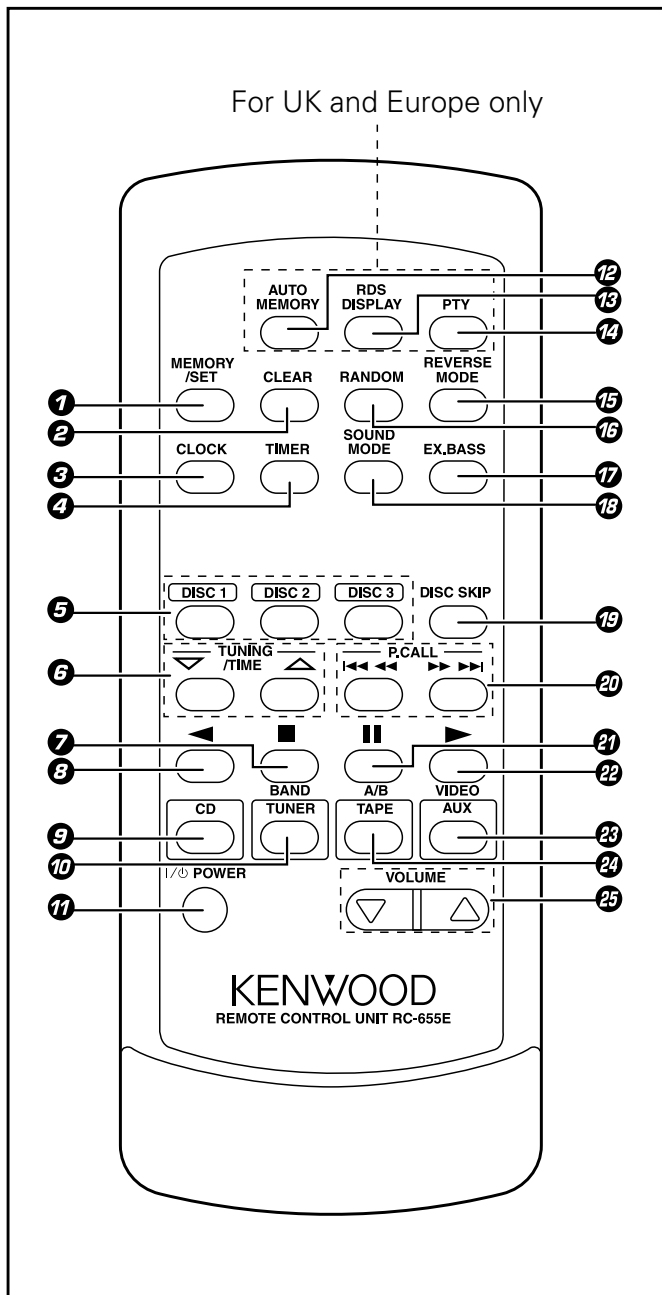
- | | |
|---|---|
| <ul style="list-style-type: none"> ❶ Timer Related Indicator ❷ Disc Number Indicator ❸ Repeat Indicator ❹ FM Stereo Mode Indicator ❺ Play Indicator ❻ Programme Indicator ❼ Pause Indicator ❽ Random Play Indicator ❾ Tuned Indicator ❿ Equalizer Indicator ⓫ Spectrum Analyzer / Volume level Indicator | <ul style="list-style-type: none"> ⓬ Record Indicator ⓭ Extra Bass Indicator ⓮ Forward / Reverse Play Indicator ⓯ Reverse Mode Indicator ⓰ Programme Type Indicator ⓱ RDS Indicator ⓲ Radio Text Indicator ⓳ Traffic Programme Indicator ⓴ Traffic Information Indicator ⓵ Traffic Announcement Indicator |
|---|---|

REAR PANEL



- ❶ AC voltage selector switches (Except for the Europe and U.K.)
- ❷ AC Power Cord
- ❸ FM 75 Ω Antenna Socket
- ❹ AM Loop Antenna Socket
- ❺ Span Selector (Except for the Europe and U.K.)
- ❻ Video / Auxiliary (Audio Signal) Input sockets
- ❼ Speaker Terminals

REMOTE CONTROL



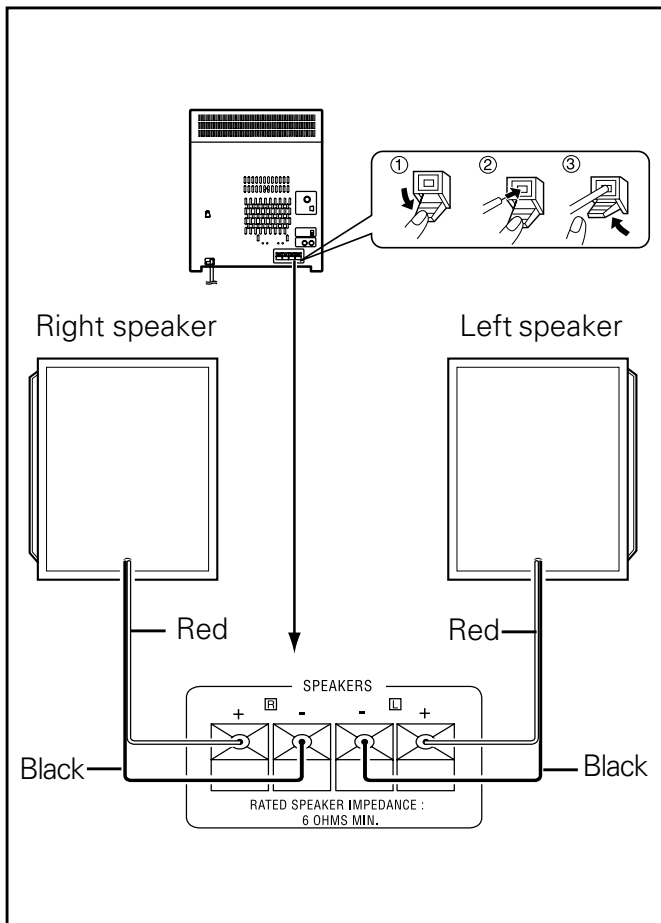
- 1 MEMORY / SET button
- 2 CLEAR button
- 3 CLOCK button
- 4 TIMER button
- 5 Disc Number Select buttons
- 6 TUNING / TIME (Δ ∇) buttons
- 7 ■ (Stop) button
- 8 ◀ (Reverse Play) button
- 9 CD button
- 10 TUNER (BAND) button
- 11 I / ⏻ POWER button
- 12 AUTO MEMORY button
- 13 RDS DISPLAY button
- 14 PTY button
- 15 REVERSE MODE button
- 16 RANDOM button
- 17 EX. BASS button
- 18 SOUND MODE button
- 19 DISC SKIP button
- 20 P. CALL (◀◀ ◀ ▶▶ ▶▶) buttons
- 21 || (Pause) button
- 22 ▶ (Play / Repeat) button
- 23 VIDEO / AUX button
- 24 TAPE (A/B) button
- 25 VOLUME buttons

Notes :

- Remote control RC-655E is for UK and Europe only.
- Remote control RC-655 is for other countries.

PREPARATION FOR USE

- Unplug the AC power cord from the AC socket before connecting or disconnecting any component.



Speaker connection

Connect each speaker wire to the SPEAKERS terminals as shown. Use speakers with an impedance of 6 Ω or more, as lower impedance speakers can damage the unit.

Connect the black wire to the minus (-) terminal, and the red wire to the plus (+) terminal.

Caution :

- Do not mix the right channel and left channel wiring when connecting the speakers to the unit. The right speaker is the one on the right side when you are facing the front of the unit.
- Do not let bare speaker wires touch each other as this may damage the amplifier and/or speakers.
- Do not allow any objects to fall into or to be placed in the bass reflex ducts.
- Do not stand or sit on the speakers. If the speakers fall or collapse, you may be injured.

System Name	Speaker Model Name
XD-855 / XD-855E / XD855	LS-N90S
XD-755 / XD-755E / XD755	LS-N70S
XD-655 / XD655	LS-N50S

CAUTION

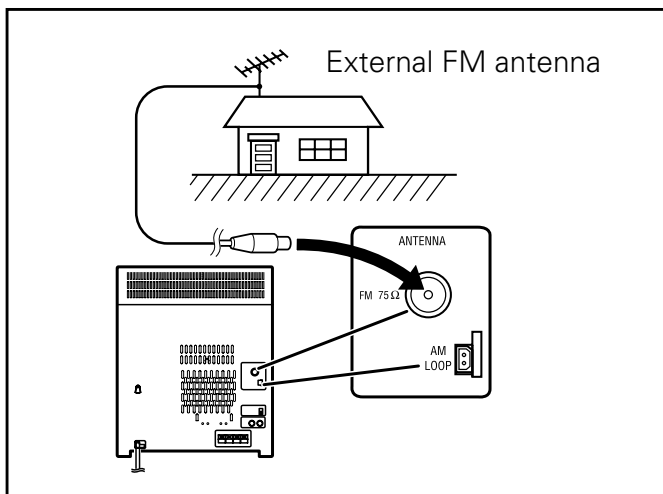
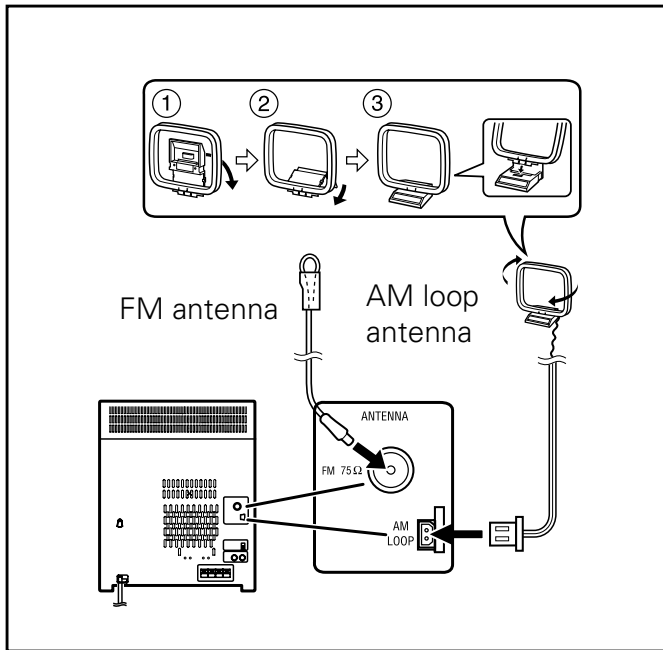
Be sure to adhere the followings, or proper ventilation will be blocked causing damage or fire hazard.

- Do not place any objects impairing heat radiation onto the top of unit.
- Leave space around the unit (from the largest outside dimension including projection) equal to or greater than, shown below.

Top panel : 50 cm

Side panel : 10 cm

Back panel : 10 cm



Antenna connection

Supplied FM antenna

Connect the FM antenna wire to the FM 75 Ω terminal and position the FM antenna wire in the direction where the strongest signal can be received.

Supplied AM loop antenna

Connect the AM loop antenna wire to the AM LOOP socket. Position the AM loop antenna for optimum reception.

Place the AM loop antenna on a shelf, etc., or attach it to a stand or a wall with screws (not supplied).

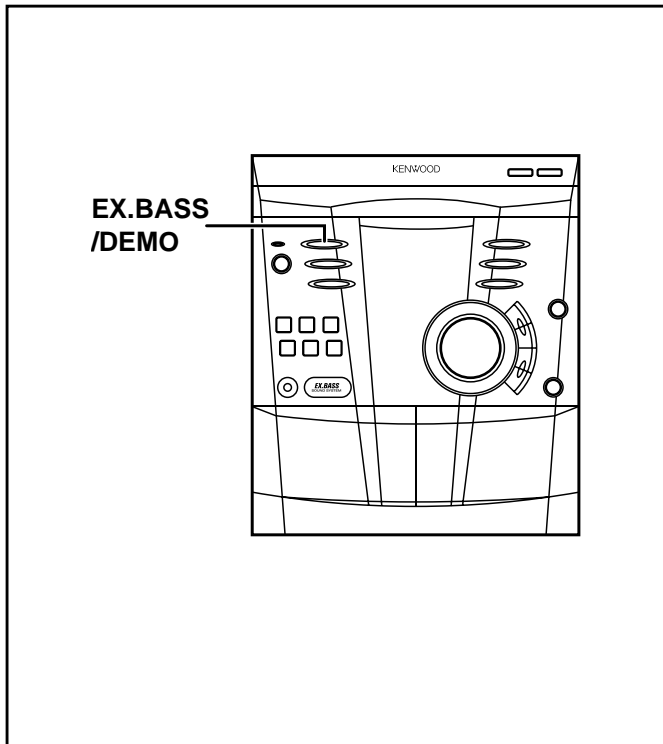
Notes :

- Do not place the antenna on the main unit as it may result in noise pickup from the internal digital electronics.
Place the antenna away from the unit for better reception.
- If the AM loop antenna and the FM antenna wire are placed near to the AC power cord, interference may result.

External FM antenna

Use an external FM antenna if you require better reception.

Consult your dealer.



Demo mode

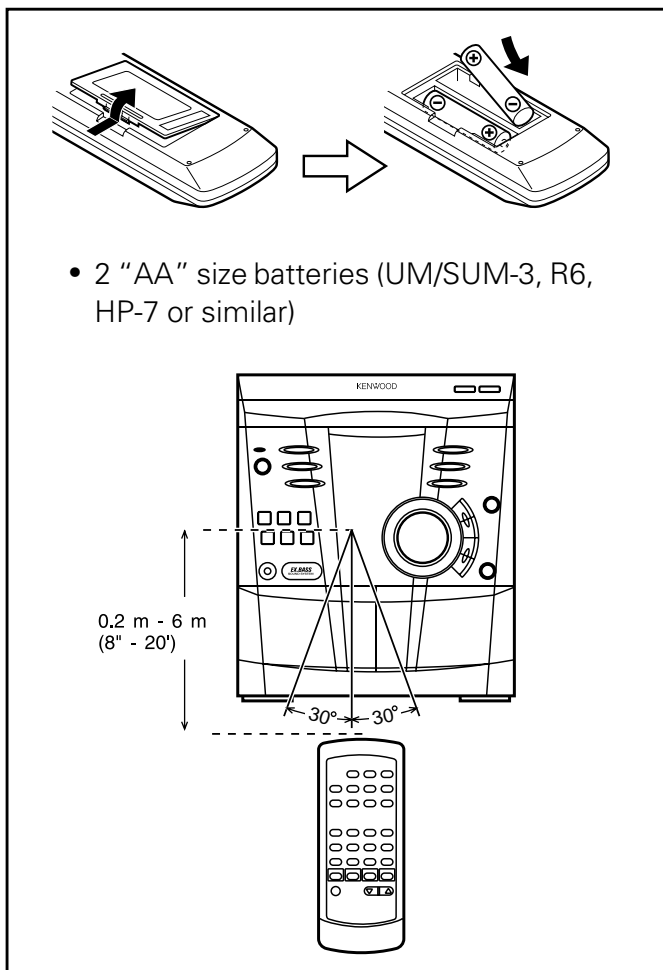
To enter into the demonstration mode:
When the unit is in the standby mode, press the EX.BASS/DEMO button again.

To cancel the demonstration mode :
Press the EX.BASS/DEMO button.

- The demonstration mode will be cancelled and the unit will be in the low power consumption mode.

Notes :

- When the unit is in the low power consumption mode, the display will disappear.
- When the power is on, the EX.BASS/DEMO button can be used to select the extra bass mode.
- When the power supply is restored after a power failure or the power cord is unplugged and plugged in again during use, this unit will enter into the demonstration mode.



- 2 "AA" size batteries (UM/SUM-3, R6, HP-7 or similar)

Remote control

- When inserting or removing the batteries, push them towards the \ominus battery terminals.
- Installing the batteries incorrectly may cause the unit to malfunction.

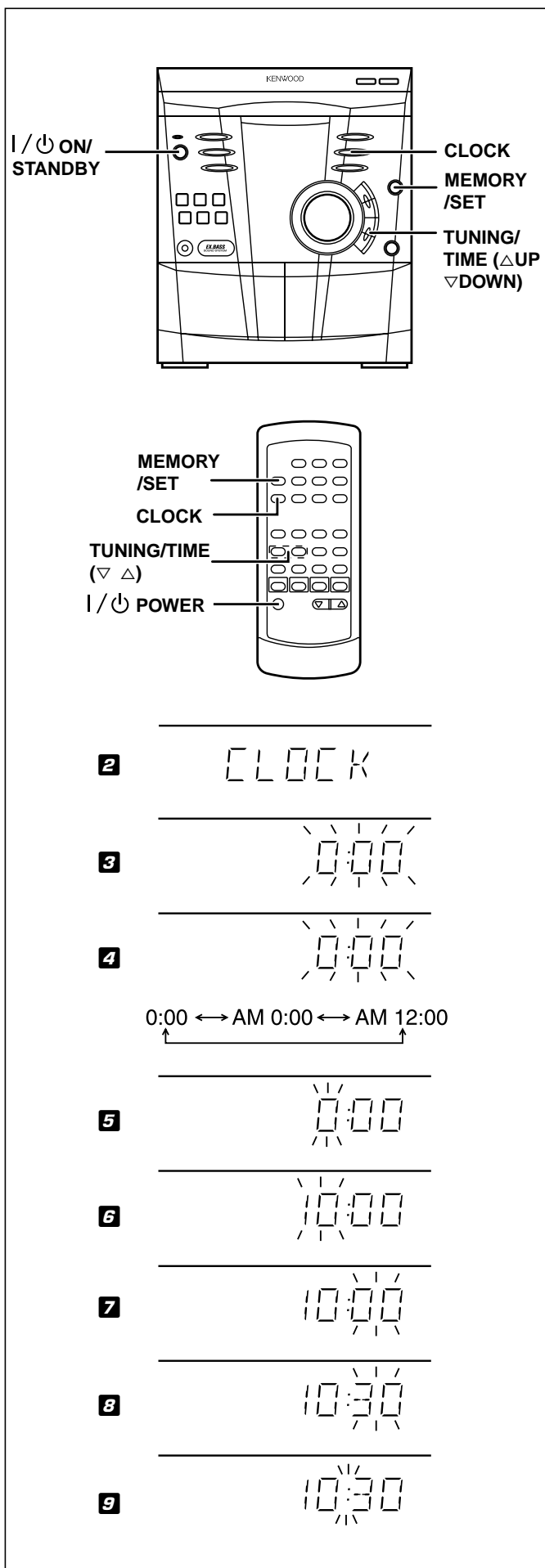
Precautions for battery use :

- Replace all old batteries with new ones at the same time. Do not mix old and new batteries.
- Remove the batteries if the unit will not be used for long periods of time. This will prevent potential damage due to battery leakage.
- Do not use rechargeable batteries (nickel-cadmium battery, etc.)

Note concerning use :

- Replace the batteries if the operating distance is reduced or if the operation becomes erratic.
- Periodically clean the transmitter LED on the remote control and the sensor on the main unit with a soft cloth.
- Exposing the sensor on the main unit to strong light may interfere with operation. Change the lighting or the direction of the unit.
- Keep the remote control away from moisture, excessive heat, shock, and vibrations.

SETTING THE CLOCK



In this example, the clock is set for the 24 hours (0:00) system.

- 1 Press the I/ON/STANDBY button to enter the standby mode.
- 2 Press the CLOCK button.
- 3 Within 5 seconds, press the MEMORY/SET button.
- 4 Press the TUNING/TIME (ΔUP or ▽DOWN) button to select the time display mode.
 - "0:00" : The 24-hours display will appear. (0:00 - 23:59)
 - "AM 0:00" : The 12-hours display will appear. (AM 0:00 - PM 11:59)
 - "AM 12:00" : The 12-hours display will appear. (AM 12:00 - PM 11:59)
- Note that this can only be set when the unit is first installed or it has been reset (see page 37 - RESETTING THE MICROCOMPUTER).
- 5 Press the MEMORY/SET button.
- 6 Press the TUNING/TIME (ΔUP or ▽DOWN) button to adjust the hour.
 - Press the TUNING/TIME (ΔUP or ▽DOWN) button once to advance the time by 1 hour. Hold it down to advance continuously.
 - When the 12-hours display is selected, "AM" will change automatically to "PM"
- 7 Press the MEMORY/SET button.
- 8 Press the TUNING/TIME (ΔUP or ▽DOWN) button to adjust the minutes.
 - Press the TUNING/TIME (ΔUP or ▽DOWN) button once to advance the time by 1 minute. Hold it down to change the time in 5 minutes intervals.
 - The hour setting will not advance even if minutes advance from "59" to "00".
- 9 Press the MEMORY/SET button.
 - The clock starts operating from "0" second. (Second are not displayed.) And then the clock display will disappear after a few seconds.

To see the time display :

Press the CLOCK button.

- The time display will appear for about 5 seconds.

Note :

- The clock display will flash on and off at the push of the CLOCK button when the AC power supply is restored after a power failure occurs or after the AC power cord is disconnected. If this happens, follow the procedure below to change the clock time.

To change the clock time :

- 1 Press the CLOCK button.
- 2 Within 5 seconds, press the MEMORY/SET button.
- 3 Perform steps **6** - **9** on page 11 .

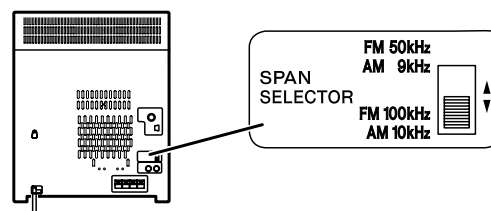
To change the time display mode :

- 1 Perform steps **1** - **2** in the section "RESETTING THE MICROCOMPUTER", on page 37.
- 2 Perform step **1** - **9** on page 11.

SETTING THE CHANNEL SPAN (Except for the Europe and U.K.)

The span between radio channels has been set to the one that prevails in the area to which the system is shipped. However, if the current channel span setting does not match the setting in the area where the system is to be used, for instance when you move from area 1 or area 2 shown in the following table or vice versa, proper reception of AM/FM broadcasts cannot be expected. In this case, change the channel span setting in accordance with your area by referring to the following table.

	Area	CHANNEL SPAN freq.
1	USA, Canada and Latin America Countries	FM : 100 kHz AM : 10 kHz
2	Other countries	FM : 50 kHz AM : 9 kHz

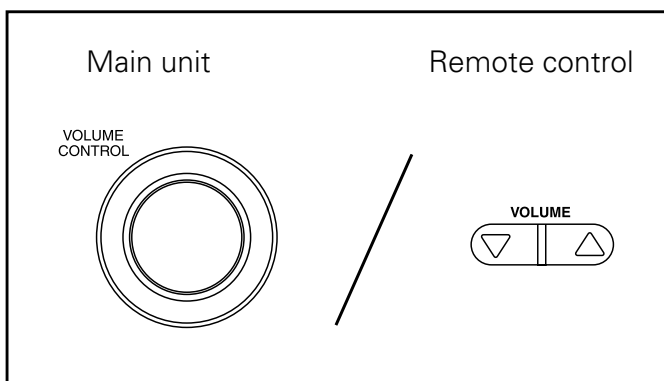


- 1** Press the I/⏻ ON/STANDBY button to enter the standby mode.
 - 2** Set the SPAN SELECTOR switch to "50/9" for 9 kHz AM interval (50 kHz FM interval), and "100/10" for 10 kHz AM interval (100 kHz FM interval).
 - 3** Whilst pressing down the ■ STOP button and the SOUND MODE button, hold down the I/⏻ ON/STANDBY button for at least 1 second.
- "CLEAR AL" will appear.

Caution :

- The operation explained above will erase all data stored in memory including clock and timer settings, and tuner and CD presets.

SOUND CONTROL



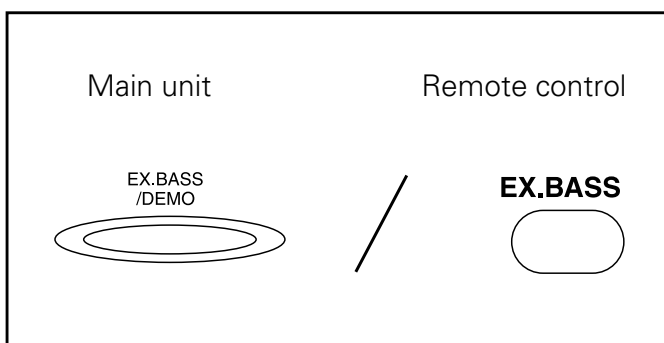
Volume

(Main unit operation)

When the VOLUME CONTROL is turned clockwise, the volume will increase. When it is turned anti-clockwise, the volume will decrease.

(Remote control operation)

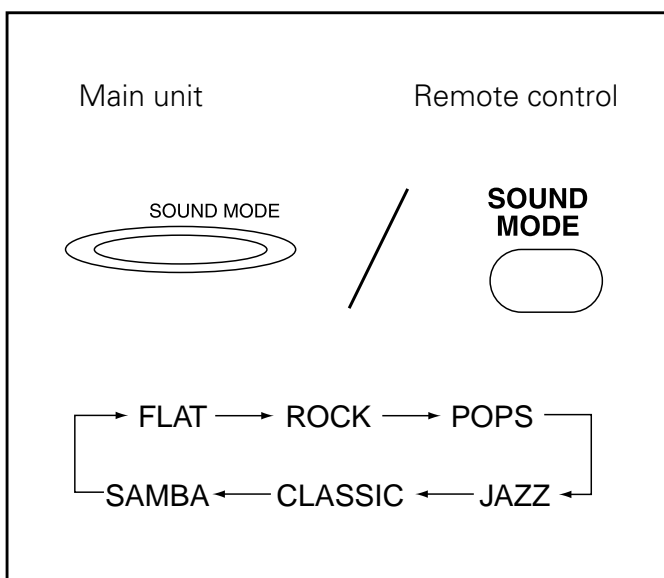
Press the VOLUME up button (△) to increase the volume and the VOLUME down button (▽) to decrease the volume.



Extra bass

When the power is first turned on, the unit will enter the extra bass mode which emphasises the bass frequencies, and "Ex. BASS" will light up on the display.

To cancel the extra bass mode, press the EX. BASS/ DEMO (EX. BASS) button, and "Ex. BASS" will go off.



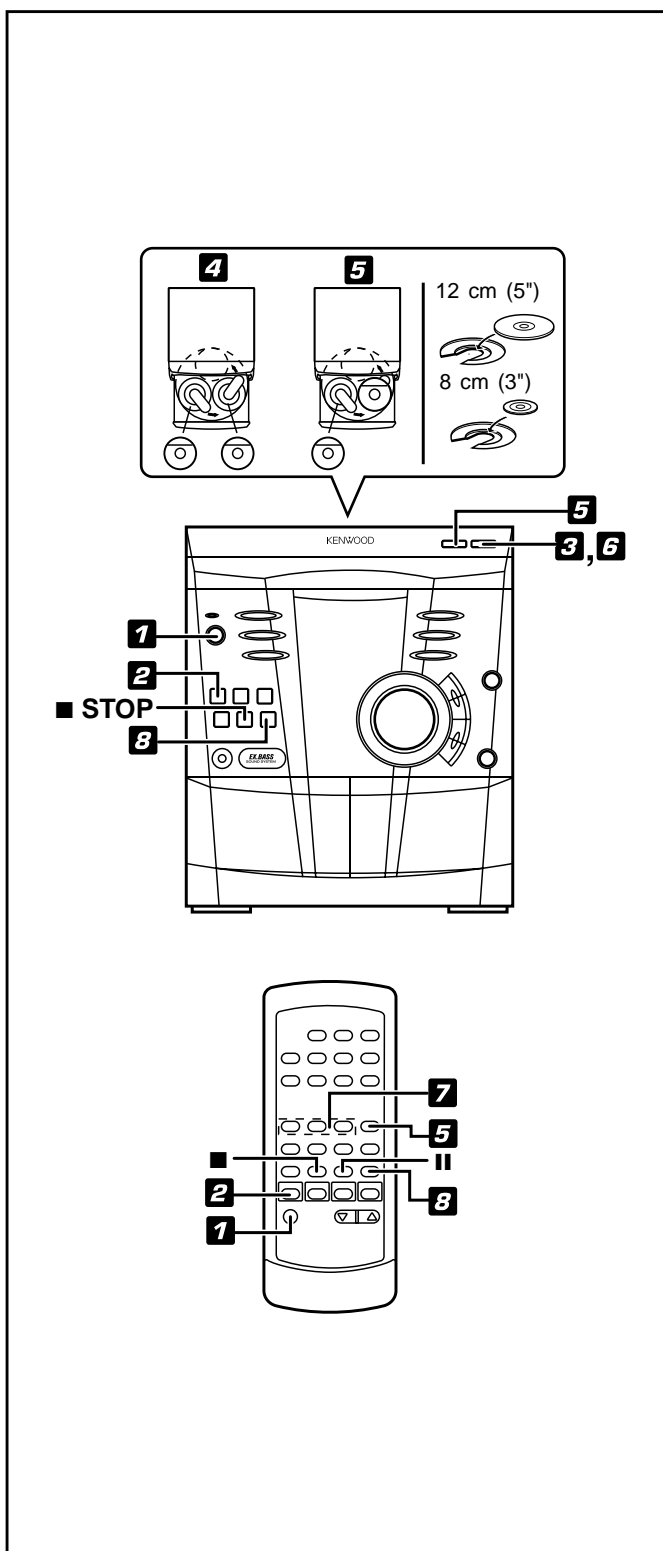
Pre-programmed equalizer

When the SOUND MODE button is pressed, the current equalizer mode setting will be displayed. To change to a different mode, press the SOUND MODE button repeatedly.

- FLAT** : The sound is not modified.
- ROCK** : Bass and treble are emphasised.
- POPS** : Bass and treble are slightly emphasised.
- JAZZ** : Treble is cut a little.
- CLASSIC** : Treble is reduced a lot.
- SAMBA** : Treble is slightly emphasised.

- When ROCK, POPS, JAZZ, CLASSIC or SAMBA is selected, "EQ" will light up on the display.

COMPACT DISC OPERATION



CD playback

- 1 Press the **I/⏻** ON/STANDBY button to turn the power on.
- 2 Press the CD button.
- 3 Press the **▲** OPEN/CLOSE button to open the disc tray.
- 4 Place the CD(s) on the disc tray, label side up.
 - CDs can be placed on any open position on the disc tray.
 - Be sure to place 8cm (3") CD(s) in the middle of the disc trays.

Caution :

Do not stack CDs in the tray. This can damage the player and the CDs.

- 5 When loading a third disc, press the DISC SKIP button to turn the disc tray, then place the CD in the open position.
- 6 Press the **▲** OPEN/CLOSE button to close the disc tray.
 - The total number of tracks and the total playing time for one disc will be displayed. At this time, the disc number indicator is flashing.
 - The music schedule will be displayed only for the number of tracks on the disc.
- 7 Press the desired disc number button (DISC 1 - DISC 3).
- 8 Press the **▶** button.
 - Playback will begin from track 1 on the disc you have selected to play.
 - After the disc finishes playing, the next disc will automatically play.
 - When there is no CD in one of the disc 1 - 3 positions, that position will be skipped and the next CD will be played.
 - When the last track on the third disc has finished playing, the unit will stop automatically.

To interrupt playback :

- 1 Press the **||** button on the remote control.
 - “||” will light up on the display.
- 2 Press the **▶** button to resume playback from the same point.

To stop playback :

Press the **■** STOP button.

To remove the CDs :

Whilst in the stop mode, press the **▲** OPEN/CLOSE button.

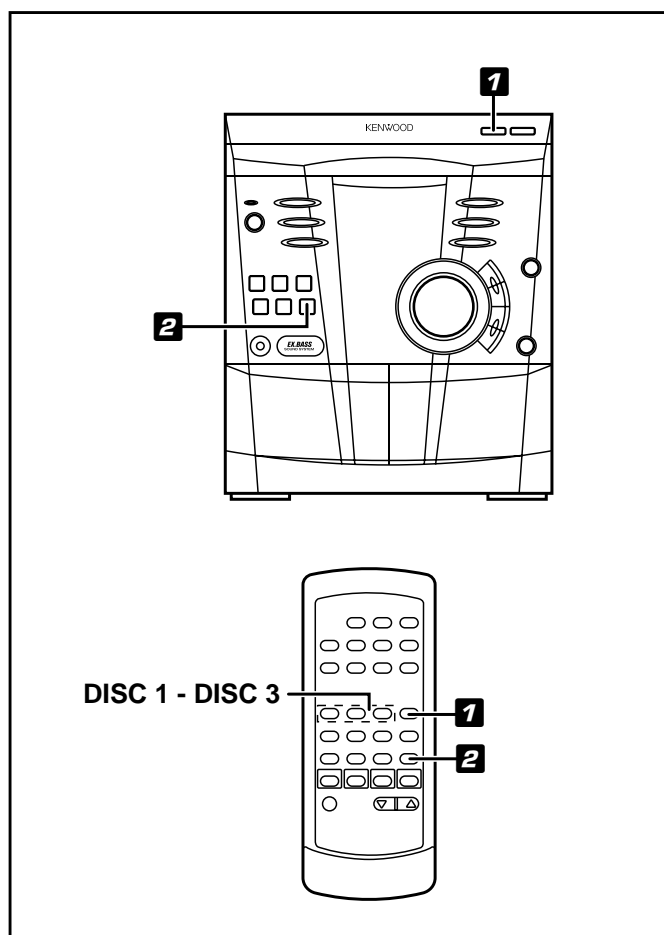
- The disc tray will open. Remove the two discs. Then, press the DISC SKIP button to rotate the disc tray and remove the remaining disc.

After use :

Press the **I/⏻** ON/STANDBY button to enter the standby mode.

Cautions :

- Do not carry the unit with discs left in the disc trays. The disc may get displaced inside the unit and damaged or cause damage to the unit. This may also cause malfunctions.
- Do not place two CDs in one disc position.
- Do not push the disc tray whilst it is moving.
- Do not attempt to turn the disc tray by hand. This may cause malfunctions.
- If the power fails whilst the tray is open, wait until the power is restored.
- If the disc tray is stopped forcibly, “ERR” will appear in the display and the unit will not function. If this occurs, press the **I/⏻** ON/STANDBY button to enter the standby mode and then turn the power on again.
- If TV or radio interference occurs during CD operation, move the unit away from the TV or radio.
- If a disc is damaged, dirty, or loaded upside down, the disc will be skipped and the next disc will automatically play.

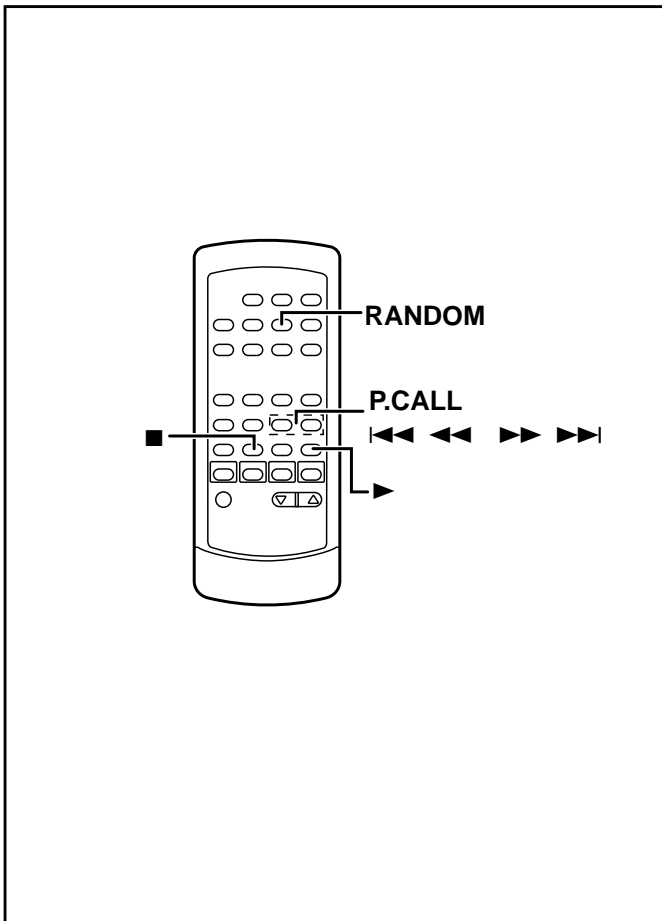


Disc number selection

- 1** When stopped, press the DISC SKIP button.
 - 2** Press the **▶** button.
- The next disc playback will begin, after which each following disc will be played sequentially.

Notes :

- When the DISC SKIP button is pressed during playback, playback will begin automatically from the next disc. (It is not necessary to press the **▶** button.)
- When one of the disc number buttons (DISC 1-DISC 3) is pressed during playback, playback of the selected disc will begin automatically. (It is not necessary to press the **▶** button.)



Random play

(Remote control operation)

The tracks on the disc(s) can be played in random order automatically.

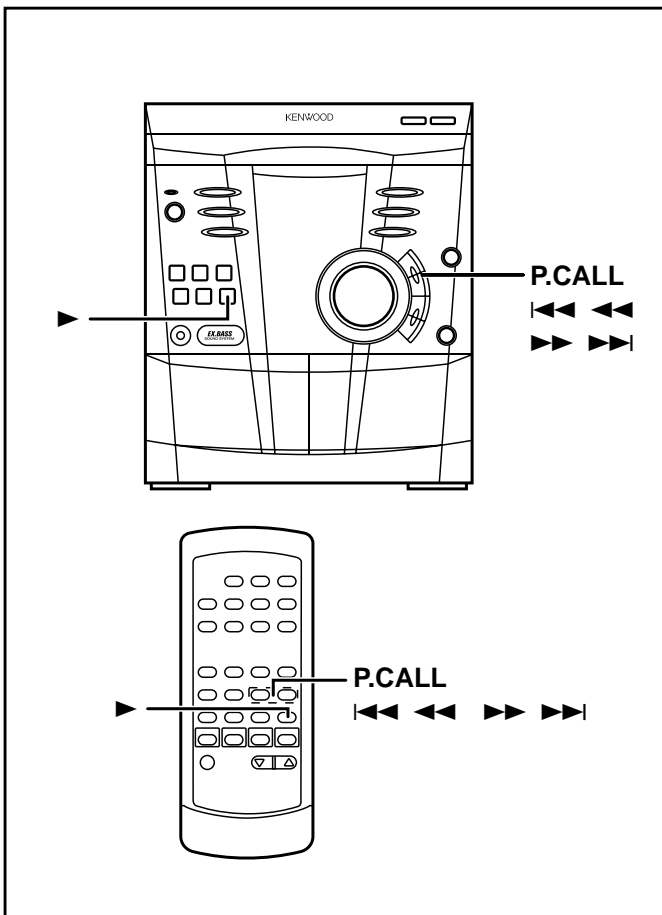
- 1** Load a disc(s) and close the disc tray.
- 2** Press the RANDOM button to begin random play.
 - "RDM" will light up on the display.

Notes :

- If you press the P. CALL ►► ►►I button during random play, you can move to another track. On the other hand, the P. CALL I◄◄ ◄◄ button does not allow you to move to the previous track. The beginning of the track being played will be located.
- When using random play, be sure to press the ■ STOP button after you are through listening. Otherwise, the disc(s) will play continuously.
- In random play the unit will select and play tracks automatically. (You cannot select the order of the tracks.)

To cancel random play :

Press the ► button.



Tracks Skipping

Tracks skipping will automatically locate the beginning of any track.

To listen again to the track being played :

Press the P. CALL I◄◄ ◄◄ button for less than 0.5 second during playback.

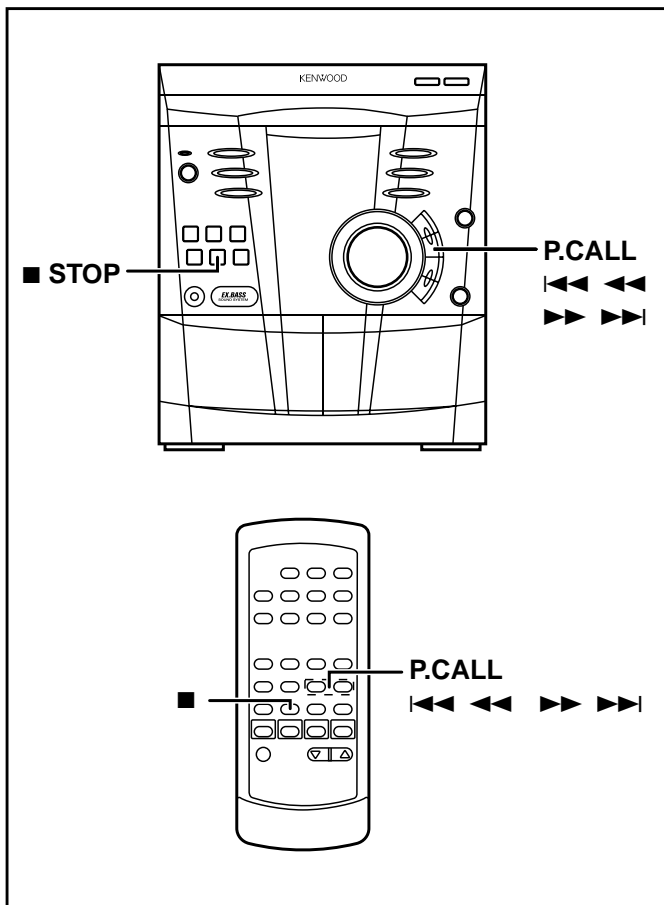
To move to the beginning of the next track :

Press the P. CALL ►► ►►I button for less than 0.5 second during playback.

- To skip a number of tracks at one time, press the P. CALL I◄◄ ◄◄ or ►► ►►I button repeatedly until the desired track number is shown.
- To start playback from a desired track, press the P. CALL I◄◄ ◄◄ or ►► ►►I button whilst in the stop mode to select the track number, and then press the ► button.

Note :

Tracks skipping can only search for music on a single disc.

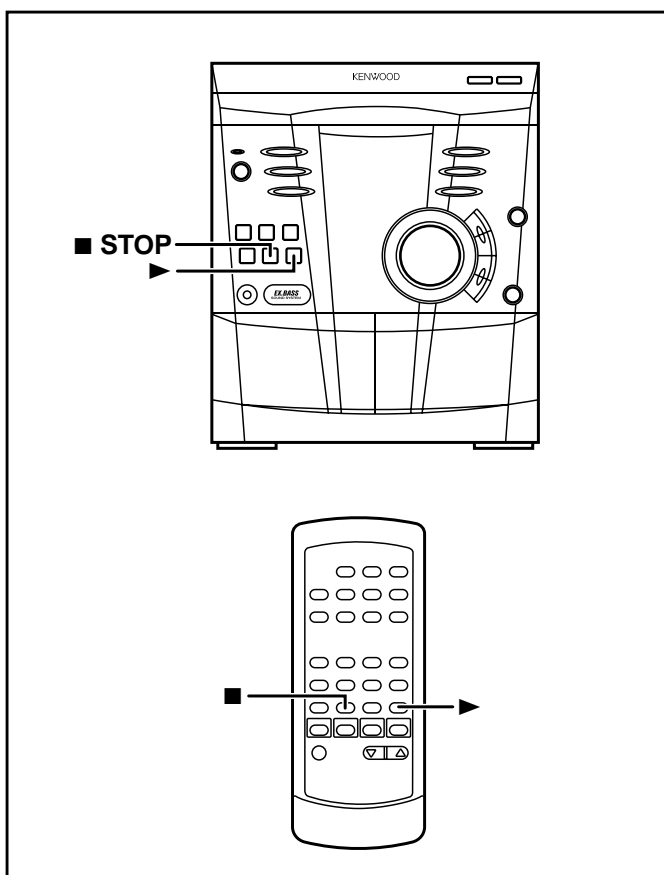


Cue and review

- 1 Load a disc and begin playback.
- 2 Hold down the P. CALL ►►►► button for audible fast forward, and hold down the P. CALL ◀◀◀◀ button for audible fast reverse.
- 3 Normal playback will resume when the P. CALL ◀◀◀◀ or ►►►► button is released.

Notes :

- When the end of the disc is reached whilst cueing, "END" will appear in the display and CD operation will be paused. (Even though the next disc has been loaded, the disc will not be switched.)
Press the P. CALL ◀◀◀◀ button for fast reverse or press the ■ STOP button to stop CD operation.
- If the beginning of the disc is reached whilst reviewing, the mode will automatically switch to normal playback at that point.



Repeat play

All tracks on up to 3 discs, or a programmed sequence can be continuously repeated.

To repeat all tracks on up to 3 discs :

Press the ► button twice.

- "RPT." will light up on the display.

To repeat a programmed sequence :

- 1 Programme a sequence of up to 32 tracks. (see page 18)
 - 2 Press the ► button again.
- "RPT." will light up on the display.

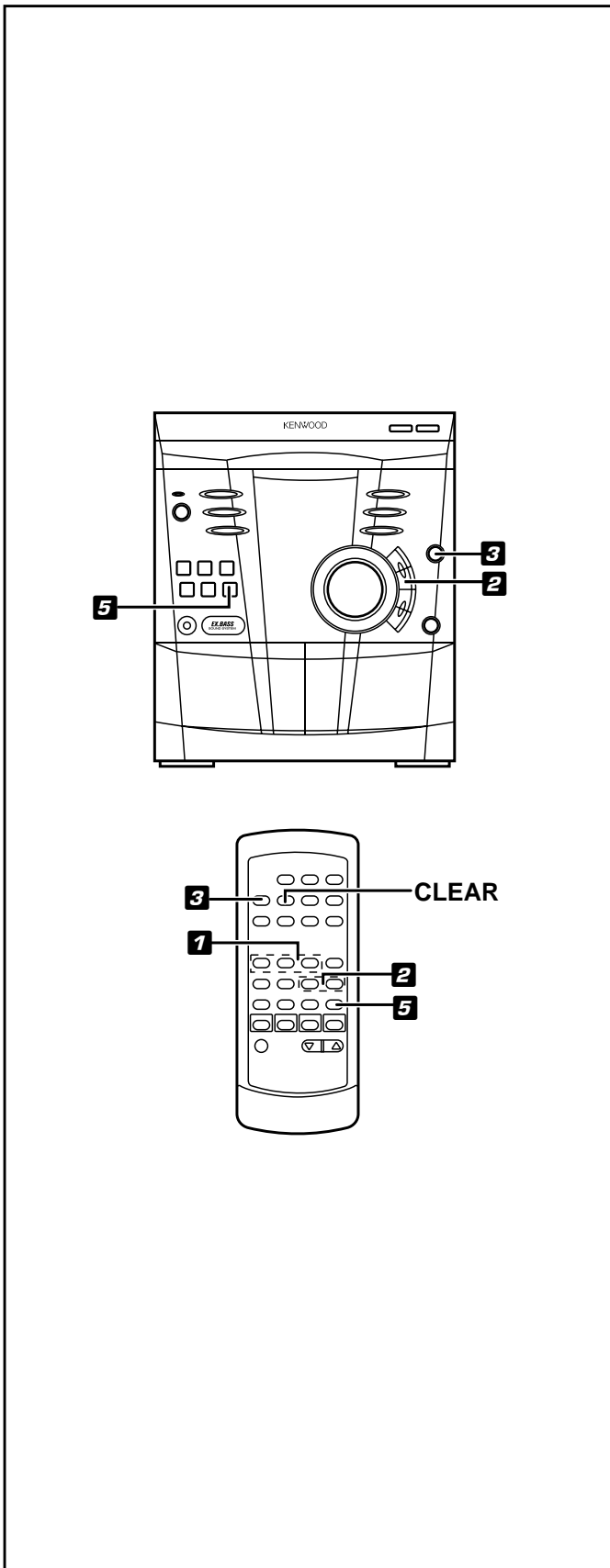
To cancel repeat play :

Press the ► button again.

- "RPT." will go off.

Note :

- When using repeat play, be sure to press the ■ STOP button after you are through listening. Otherwise, the CD(s) will play continuously.



Program playback

You can playback the tracks on the CDs in the disc 1-3 position in any order desired. By specifying the disc numbers from 1 to 3, and the track numbers from 1 to 99, you can choose up to 32 selections for playback in the order you like.

- 1** When in the stop mode, use the disc number buttons (DISC 1 - DISC 3) to select the desired disc number.
- 2** Press the P. CALL ◀◀ ◀◀ or ▶▶ ▶▶ button to select the desired track.
- 3** Press the MEMORY/SET button.
 - "PGM" will light up on the display to show that the programmed sequence is being entered into memory.
- 4** Repeat steps **1** - **3** for any other track. Up to 32 tracks can be programmed.
 - If you make a mistake whilst in the programming mode ("PGM" will light up on the display) or if you wish to change your selections, the programmed tracks can be cleared by pressing the CLEAR button. The tracks will be cleared sequentially, starting with the last track entered.
- 5** Press the ▶ button to start playback of programmed selections.

To clear the programmed selections :

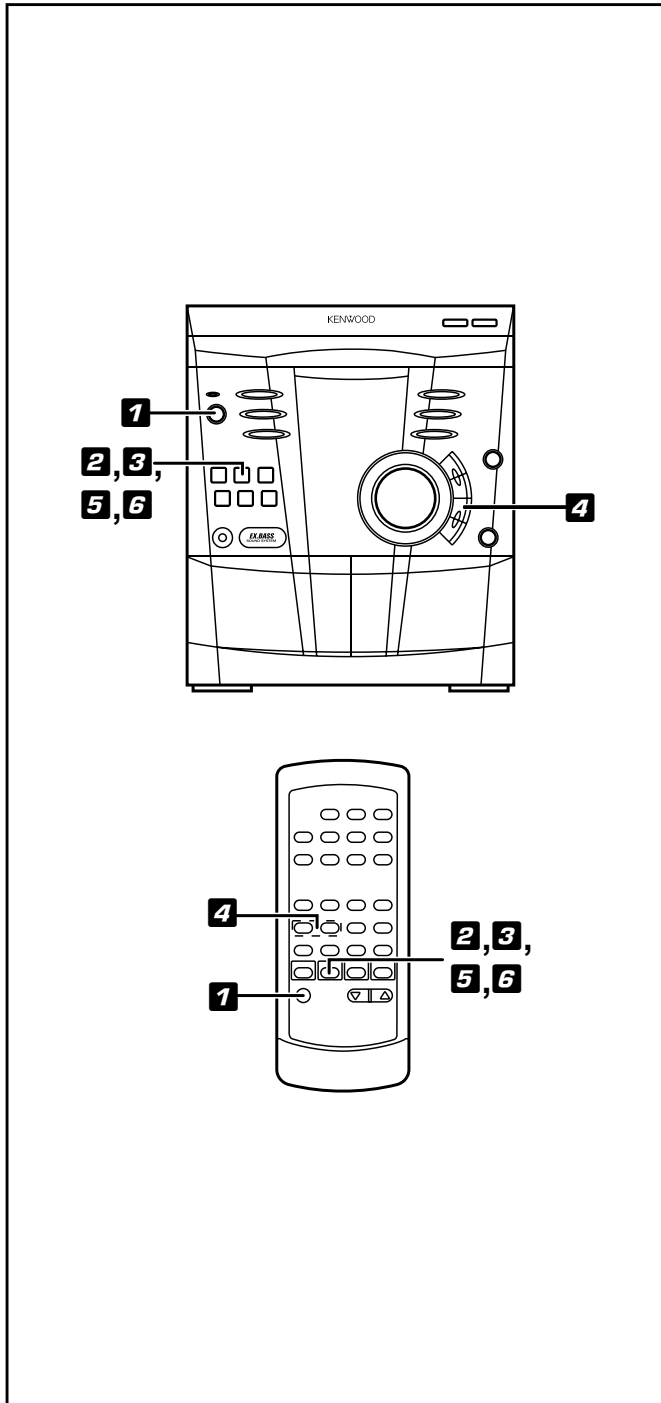
Press the CLEAR button on the remote control whilst the disc is stopped.

- Each time the button is pressed, one track will be cleared, beginning with the last track programmed.

Notes :

- Opening the disc tray, automatically cancels the programmed sequence.
- Even if you press the I / ⏻ ON/STANDBY button to enter the standby mode or the function is changed from CD to some other function, the programmed selections will not be cleared.
- During program playback operation, random play is not possible.

RADIO OPERATION



After use :

Press the I/O ON/STANDBY button to enter the standby mode

Note :

- The last station turned in will be recalled, even after changing the tuning band or the function, or after switching the unit to the standby mode.

Tuning

- 1** Press the I/O ON/STANDBY button to turn the power on.
- 2** Press the TUNER (BAND) button.
- 3** Press the TUNER (BAND) button to select the desired frequency band. (FM ST, FM or AM)
- 4** Press the TUNING/TIME (ΔUP or ∇DOWN) button to tune into the desired station.

Manual tuning :

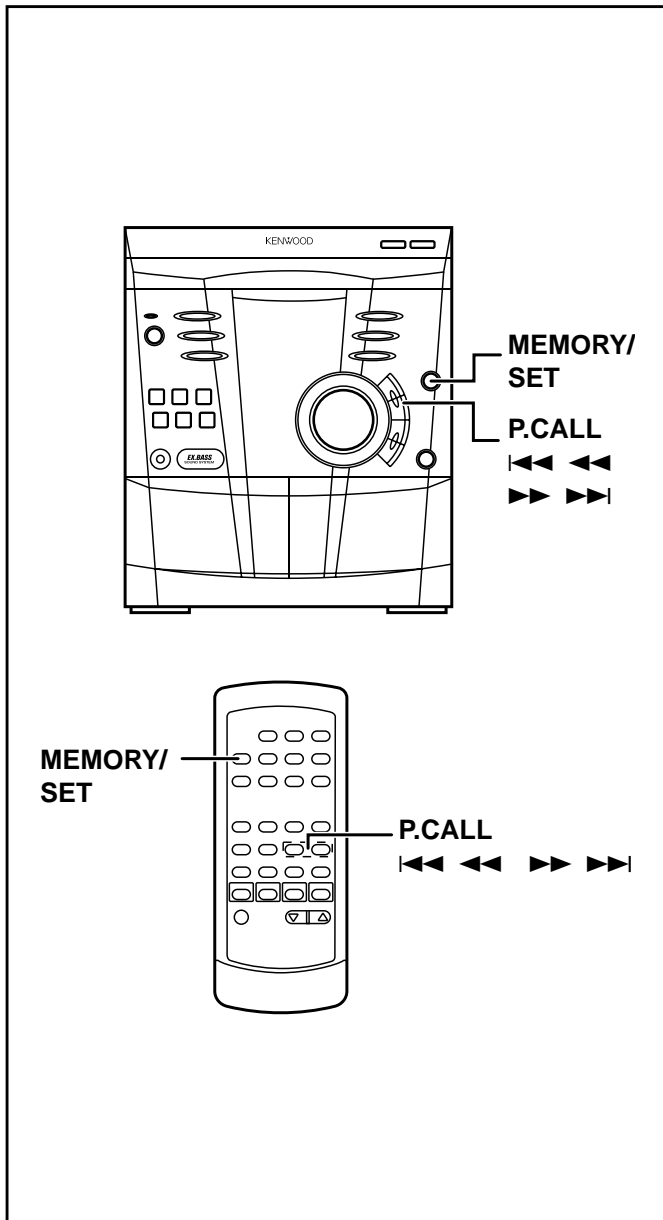
Press the TUNING/TIME (ΔUP or ∇DOWN) button as many times as required to adjust the frequency shown on the display to the frequency of the desired station.

Auto tuning :

When the TUNING/TIME (ΔUP or ∇DOWN) button is pressed for more than 0.5 second, scanning will start automatically and the tuner will stop at the first receivable broadcast station.

Notes :

- When radio interference occurs during auto scan tuning, auto scan tuning may stop automatically at that point.
- If a weak station signal is found during auto scan tuning, the station will be skipped.
- To stop the auto tuning, press the TUNING/TIME (ΔUP or ∇DOWN) button again.
- When a RDS (Radio Data System) station is tuned in, the frequency will be displayed first, and then the RDS indicator will light up. Finally, the station name will appear. (For UK and Europe only)
- 5** To receive an FM stereo transmission, press the TUNER (BAND) button so that the "ST." indicator on the display lights up.
- "∞" will light up on the display when an FM broadcast is in stereo.
- 6** If the FM reception is weak, press the TUNER (BAND) button so that the "ST." indicator goes off.
- The reception changes to mono, the sound becomes clearer.



Preset tuning

You can store up to 40 stations in memory (40 stations consisting of any combination of FM and AM stations you like) and recall them at the push of a button.

To enter stations into memory :

- 1** Perform steps **1** - **6** in the "Tuning" section (page 19).
- 2** Press the MEMORY/SET button.
 - "PGM" and the preset channel number will flash.
- 3** Within 30 seconds, press the P. CALL (◀◀◀◀ or ▶▶▶▶) button to make the preset channel number flash in the display.
 - The order of the station stored in memory, starts with preset channel 1.
- 4** Within 30 seconds, press the MEMORY/SET button to store that station in the selected station preset number memory.
 - If the "PGM" and preset number go out before the station is memorized, repeat the operation from step **2**.
- 5** Repeat steps **1** - **4** to set other preset stations, or to change a preset station.
 - When a new station is stored in the selected station preset number memory, the previous stored contents will be erased.
 - To store an RDS station in memory, perform steps **2** - **4** whilst the RDS station name is being displayed. (For UK and Europe only)

Backup function :

The backup function protects all station presets for a few hours should there be a power failure or the AC power cord is removed from the AC socket.

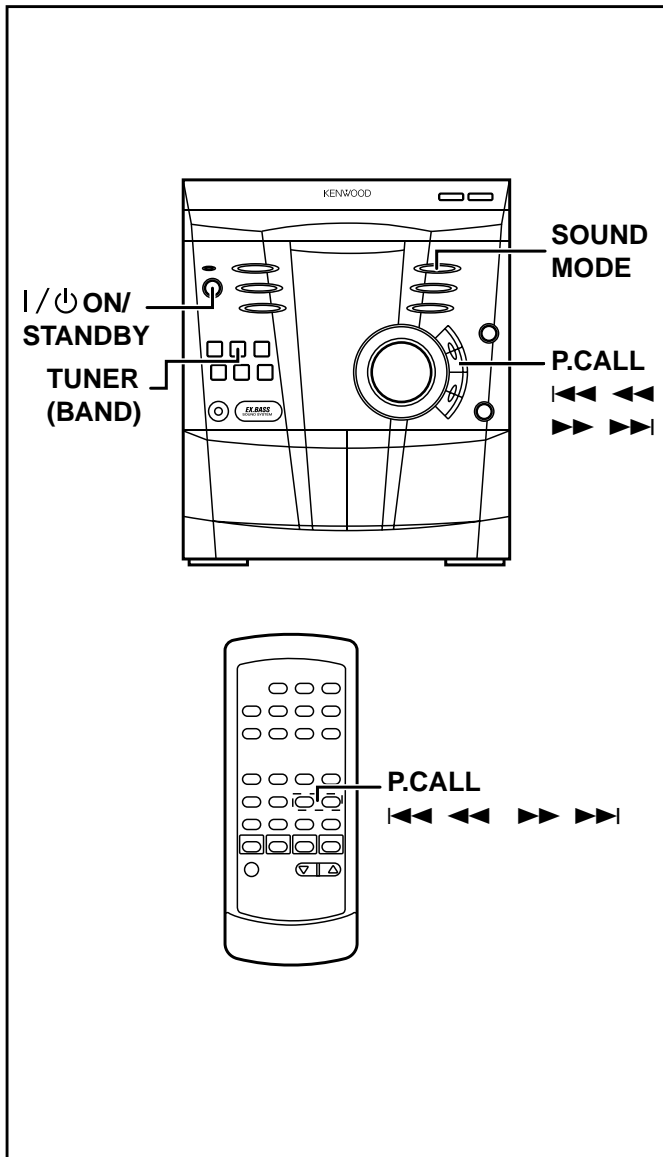
To recall a memorized station :

Press the P. CALL (◀◀◀◀ or ▶▶▶▶) button for less than 0.5 second to select the desired station.

- The stations (preset channel number, frequency band) which have been stored in memory will appear in the display in numerical order, irrespective of the frequency bands.

Notes :

- When searching for a memorized station, do not press the P. CALL (◀◀◀◀ or ▶▶▶▶) for more than 0.5 second.
- When the P. CALL (◀◀◀◀ or ▶▶▶▶) button is pressed for more than 0.5 second, the unit will enter the preset memory scan mode.



Preset memory scan

The stations saved in the preset memory can be scanned automatically.

1 To scan the preset stations, press the P. CALL (|◀◀◀ or ▶▶▶|) button for more than 0.5 second.

- The station preset number will flash and the programmed stations will be tuned in sequentially, for 5 seconds each.

2 Press the P. CALL (|◀◀◀◀ or ▶▶▶▶|) button again to stop the memory scan at the desired station.

Note :

When the preset memory does not have any stations stored in it, the preset memory scan will not function.

To erase all the contents in the preset memory :

- 1 Press the I/ON/STANDBY button to enter the standby mode.
- 2 Press the I/ON/STANDBY button whilst holding down the TUNER (BAND) button and the SOUND MODE button.

- "PGM" will light up on the display and "TUNER CL" will appear.

- After performing this operation, all of the preset memory information will be erased.

RDS (RADIO DATA SYSTEM) OPERATION (For UK and Europe only)

RDS is a broadcasting service which a growing number of FM station are now providing. It allows these FM station to send additional signals along with their regular programme signals. For example, the stations send their station names and information about what type of programme they broadcast, such as sports or music, etc.

When tuned to an FM station which provide the RDS service, the RDS will appear, the station frequency and then the station name (if sent) is displayed.

The TP (Traffic Programme) will appear on the display when the received broadcast carries traffic announcements, and the TA (Traffic Announcement) will appear whilst a traffic announcement is being received.

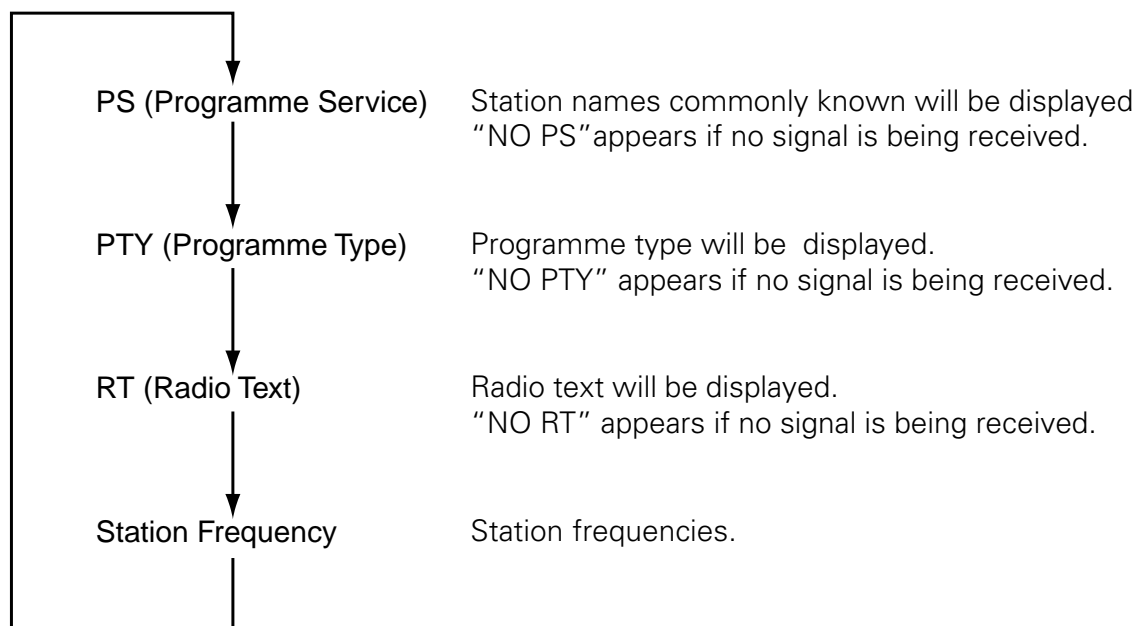
Notes :

- When the TP and TA appear at the same time, an announcement is being made.
- When only the TA appears, an announcement is not being made.

Information provided by RDS

With this unit, you can display three types of RDS service. To show them in the display, press the RDS DISPLAY button.

Each time you press the RDS DISPLAY button, the display will change to show the following information.



Descriptions of the PTY (Programme Type) codes, TP (Traffic Programme) and TA (Traffic Announcement)

- NEWS** : Short account of facts, events and publicly expressed views, reportage and actuality.
- AFFAIRS** : Topical programme expanding or enlarging upon the new, generally in different presentation style or concept, including debate or analysis.
- INFO** : Programmes whose purpose is to impart advice in the widest sense.
- SPORT** : Programme concerned with any aspect of sport.
- EDUCATE** : Programme intended primarily to educate, of which the formal element is fundamental.
- DRAMA** : All radio plays and serials.
- CULTURE** : Programmes concerned with any aspect of national or regional culture, including language, theatre, etc.
- SCIENCE** : Programmes about the natural sciences and technology.
- VARIED** : Used for mainly speech-based programmes usually of light-entertainment nature, not covered by other categories. Examples include : quizzes, panel games, personality interviews.
- POP M** : Commercial music, which would generally be considered to be of current popular appeal, often featuring in current or recent record sales charts.
- ROCK M** : Contemporary modern music, usually written and performed by young musicians.
- EASY M** : Current contemporary music considered to be "easy-listening", as opposed to Pop, Rock or Classical, or one of the specialized music styles, Jazz, Folk or Country. Music in this category is often but not always, vocal, and usually of short duration.
- LIGHT M** : Classical Musical for general, rather than specialist appreciation. Examples of music in this category are instrumental music and vocal or choral works.
- CLASSICS** : Performances of major orchestral works, symphonies, chamber music etc., and including Grand Opera.
- OTHER M** : Musical styles not fitting into any of the other categories. Particularly used for specialist music of which Rhythm & Blues and Reggae are examples.
- WEATHER** : Weather reports and forecasts and Meteorological information.
- FINANCE** : Stock Market reports, commerce, trading etc.
- CHILDREN** : For programmes targeted at a young audience, primarily for entertainment and interest, rather than where the objective is to educate.
- SOCIAL** : Programmes about people and things that influence them individually or in groups. Includes: sociology, history, geography, psychology and society.
- RELIGION** : Any aspect of beliefs and faiths, involving a GOD or GODs, the nature of existence and ethics.

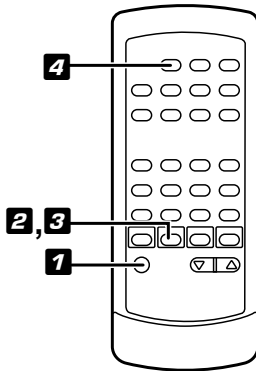
-
- PHONE IN** : Involving members of the public expressing their views either by phone or at a public forum.
- TRAVEL** : Features and programmes concerned with travel to near and far destinations, package tours and travel ideas and opportunities. Not for use for Announcements about problems, delays, or roadworks affecting immediate travel where TP/TA should be used.
- LEISURE** : Programmes concerned with recreational activities in which the listener might participate. Examples include, Gardening, Fishing, Antique collecting, Cooking, Food & Wine etc.
- JAZZ** : Polyphonic, syncopated music characterised by improvisation.
- COUNTRY** : Songs which originate from, or continue the musical tradition of the American Southern States. Characterised by a straight forward melody and narrative story line.
- NATION M** : Current Popular Music of the Nation or Region in that country's language, as opposed to International 'Pop' which is usually US or UK inspired and in English.
- OLDIES** : Music from the so-called "golden age" of popular music.
- FOLK M** : Music which has its roots in the musical culture of a particular nation, usually played on acoustic instruments. The narrative or story may be based on historical events or people.
- DOCUMENT**: Programme concerned with factual matters, presented in an investigative style.
- TEST** : Broadcast when testing emergency broadcast equipment or receivers.
- ALARM !** : Emergency announcement made under exceptional circumstances to give warning of events causing danger of a general nature.
- NONE** : No programme type (receive only).
- TP** : Broadcasts which carry traffic announcements.
- TA** : Traffic announcements are being broadcast at present.

ASPM (Auto Station Programme Memory)

It is recommended that you store stations in memory using ASPM.

(This memory can be used for PTY searches, and station select.)

When the AUTO MEMORY button is pressed, whilst turned to the FM band, the RDS function will automatically search for new RDS stations. Up to 40 stations can be stored in memory. (If you have already stored some stations in memory, the number of new stations you can store will be less.)



4

ASPM



FM 87.50 MHz



FM 88.00 MHz RDS

1 MEMORY



(4 seconds)

END

(4 seconds)

- 1 Press the I/O POWER button to turn the power on.
- 2 Press the TUNER (BAND) button.
- 3 Press the TUNER (BAND) button to select the FM ST or FM band.
- 4 Press and hold down the AUTO MEMORY button for at least 3 seconds.
 - 1 After "ASPM" has flashed for about 4 seconds, scanning will start. (87.50 - 108.00 MHz)
 - 2 When an RDS station is found, the RDS will appear for a short time and the station will be stored in memory.
 - 3 After scanning, the number of stations that have been automatically stored in memory will be displayed for 4 seconds, and then "END" will appear for 4 seconds.

Notes :

- Only RDS stations will be stored in memory in numerical order.
- If the same station is broadcasting on different frequencies, the transmission with the strongest broadcast frequency will be stored in memory.
- Any station which has the same frequency as one which has been already stored in memory will not be stored again.
- The ASPM operation can be repeated until "END" appears.
- If a 40th station is stored in memory during a scan, the scanning will stop at that station. The number of stations and "END" will each be displayed for 4 seconds.
- If no stations have been stored in memory, "END" will appear for about 4 seconds.

-
- If 40 stations have already been stored in memory and the AUTO MEMORY button is pressed, "END" will appear immediately and the scan will be aborted.
If you want to redo the ASPM operation from the beginning, erase the preset memory, and then perform steps **1** - **4**.
 - If the RDS station broadcast signals are very weak, station names may not be stored in memory.

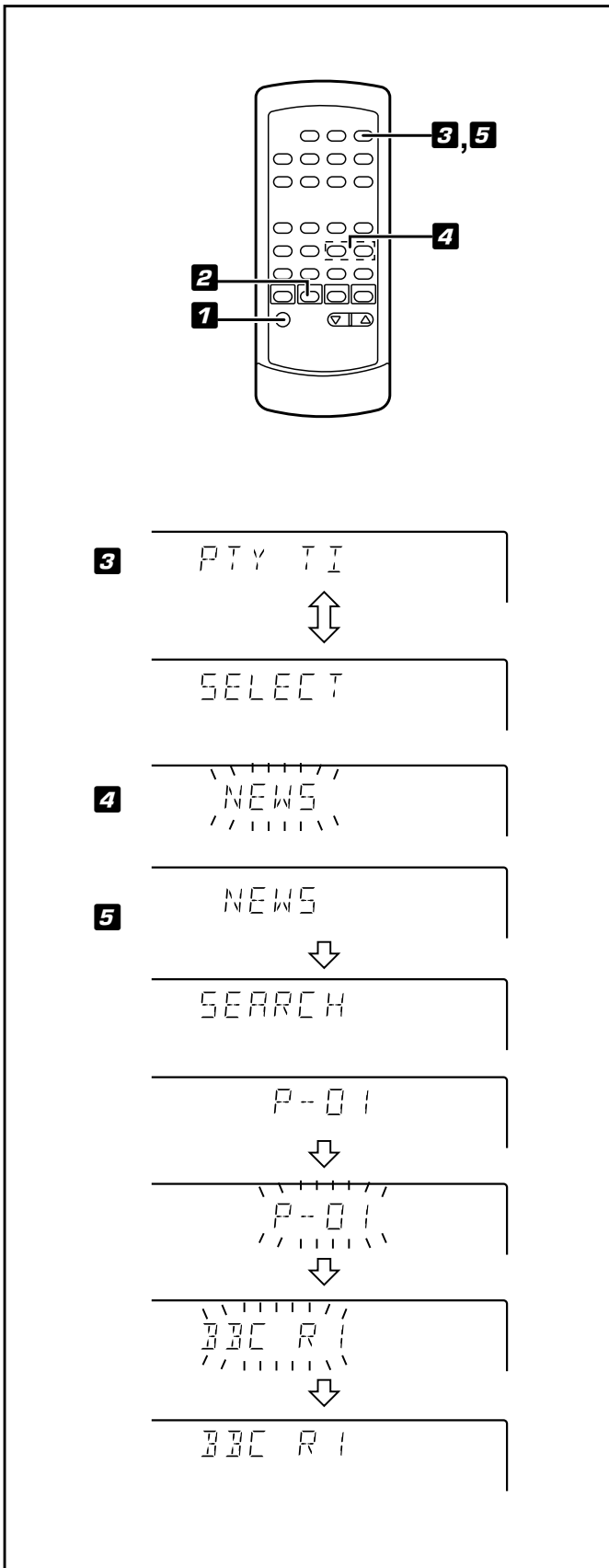
To stop the ASPM operation before it is complete :

Press the AUTO MEMORY button whilst it is scanning for stations.

- The stations that have already been stored in memory will be kept there.

To erase all the contents in the preset memory :

- 1 Press the I/⏻ ON/STANDBY button to enter the standby mode.
 - 2 Press the I/⏻ ON/STANDBY button whilst holding down the TUNER (BAND) button and the SOUND MODE button.
- "PGM" will light up on the display and "TUNER CL" will appear.
 - After performing this operation, all of the preset memory information will be erased.



To recall stations that have been stored in memory (PTY search)

You can search for desired stations by specifying the programme type (see page 23 - 24) from among the stations that have been stored in memory.

- 1** Press the I/⏻POWER button to turn the power on.
- 2** Press the TUNER (BAND) button to select the FM ST or FM band.
- 3** Press the PTY button.
 - "PTY TI" and "SELECT" will appear alternately for about 6 seconds.
- 4** Within 6 seconds, press the P. CALL (◀◀ ◀◀ or ▶▶ ▶▶) button to select the programme type you want.
 - Each time the button is pressed, the programme type will appear. If the button is held down for more than 0.5 second, the programme type will appear continuously.
- 5** Whilst the selected programme type is flashing (within 4 seconds), press the PTY button again.
 - After the name of the selected programme type has been lit for 2 seconds, "SEARCH" will appear, and the search operation will start.

Notes :

If the programme type has changed from flashing to steadily lit and the PTY button is pressed, nothing will happen. In this case, start again from step **3**.

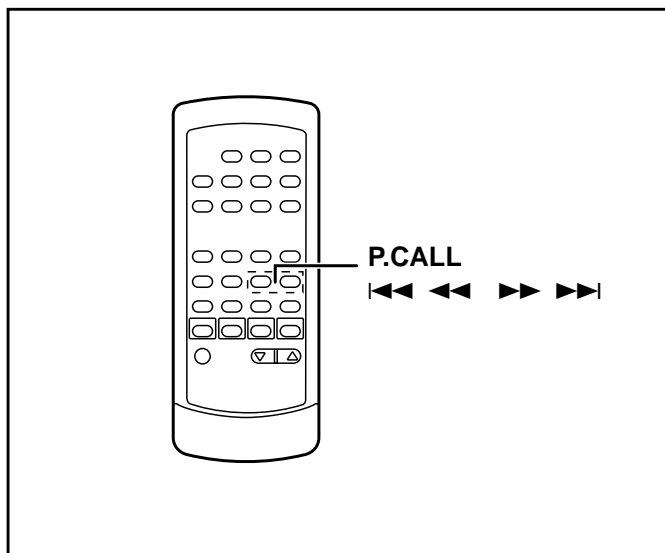
Each time a station of the programme type you want is encountered, you will be able to listen to the broadcast.

The channel number will flash for about 3 seconds. The station name will flash for 7 seconds, and then remain lit.

- If you want to listen to another station of that programme type, press the PTY button whilst the channel number or station name is flashing. The unit will look for the next station of that type.
- "NOT FOUND" will appear for 4 seconds, if the requested programme type station is not found.

If you have selected the traffic programme :

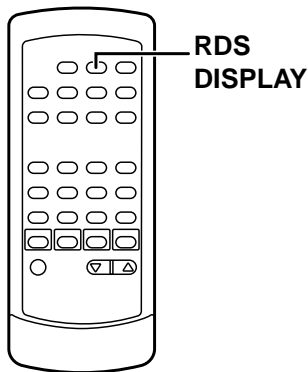
If you select traffic programme (TP) as the programme type in step **4** (on page 27) , to receive only radio station which broadcast traffic programmes, the TP will appear. (However, this does not necessarily mean that you will hear any traffic announcements at that time.) When a traffic announcement is actually being made, the TA will appear. (When both the TP and TA will appear, an announcement is being made.)



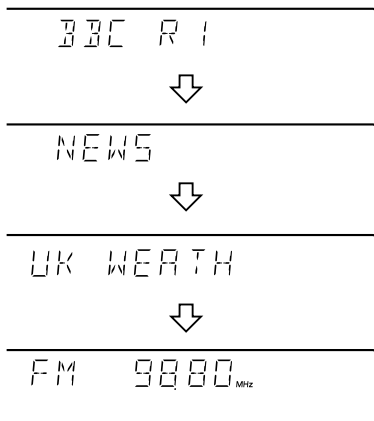
To manually recall the stations stored in memory

Press the P. CALL (|◀◀ ◀◀ or ▶▶ ▶▶|) button.

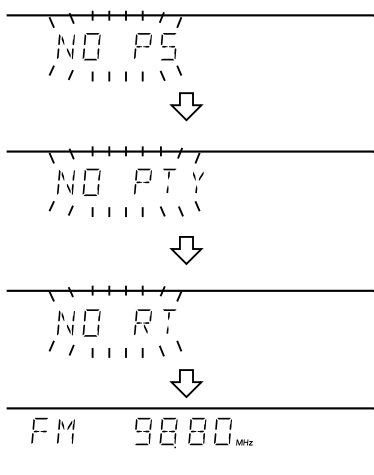
- Each time the button is pressed, the station name will change.
- After the station name had been displayed, the channel number will appear for 2 seconds. The frequency for that channel will appear for another 2 seconds and finally the station name will be displayed.



(RDS display)

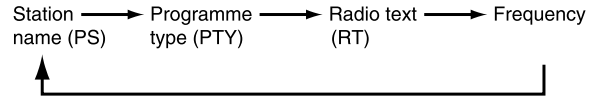


(No RDS station display)

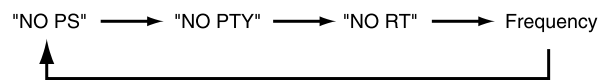


To switch the display

Each time the RDS DISPLAY button is pressed whilst an FM station is tuned in, the display will switch as follows:



When the station you are tuning in is not an RDS station or even if it is an RDS station but it is very weak signal, the display will change in the following order :



Notes :

- "NO PS", "NO PTY", or "NO RT" will flash for about 5 seconds, and then the frequency will be displayed.
- The display can only be switched whilst tuned to the FM band.

Notes for Radio text

- The radio text for 8 characters will be displayed steadily for 4 seconds and then it will scroll across the display.
- If you tune into a station which is not broadcasting any radio text, even if it is an RDS station, when you switch to the radio text position "NO RT" will be displayed.
- Whilst radio text data is being received or when the text contents change, "RT" will be displayed.

Notes for RDS operation

If any of the following events occur, it does not mean that the unit is faulty.

- "PS", "NO PS" and a station name appear alternately, and the unit does not operate properly.
- If a particular station is not broadcasting properly or a station is conducting tests, the RDS reception function may not work properly.
- When you receive an RDS station whose signal is too weak, information like the station name may not be displayed, even if "RDS" is lit.

CASSETTE OPERATION

TAPE A or TAPE B playback

- 1** Press the I / ON /STANDBY button to turn the power on.
- 2** Press the TAPE (A/B) button.
- 3** Open the cassette door by pushing the area marked "PUSH OPEN".
- 4** Load the cassette into the TAPE A or TAPE B cassette compartment.
- 5** With cassette in both decks, press the TAPE (A/B) button to switch operation from one deck to the other.
- 6** Press the \blacktriangleright button to start playback.
 - When playback is performed using the remote control, press the \blacktriangleright button.

To stop playback :

Press the \blacksquare STOP button.

Fast forward/rewind :

- 1 Press the \blacksquare STOP button, then press the TAPE (A/B) button to select TAPE A or TAPE B.
- 2 To advance the tape, press the P. CALL $\blacktriangleright\blacktriangleright\blacktriangleright$ button. To rewind it, press the P. CALL $\blacktriangleleft\blacktriangleleft\blacktriangleleft$ button.

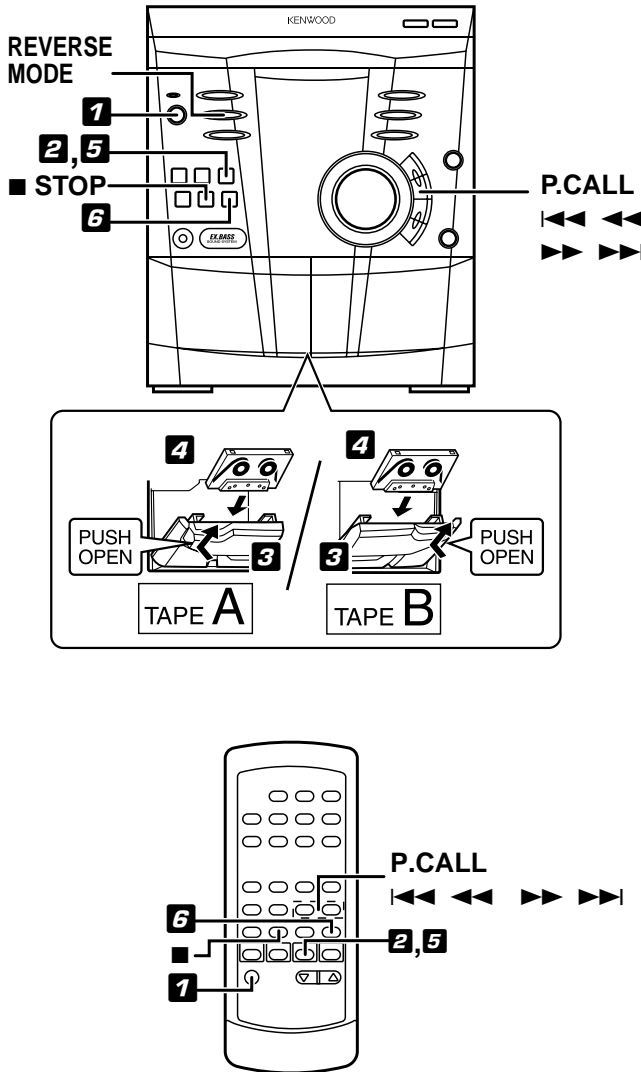
Caution :

- To remove the cassette tape, press the \blacksquare STOP button, and then open the cassette compartment.
- Before changing from one tape operation to another, press the \blacksquare STOP button.
- If a power failure occurs during tape operation, the tape head will remain engaged with the tape and the cassette door will not open. In this case, wait until power is restored.

Selection of reverse mode (TAPE B only) :

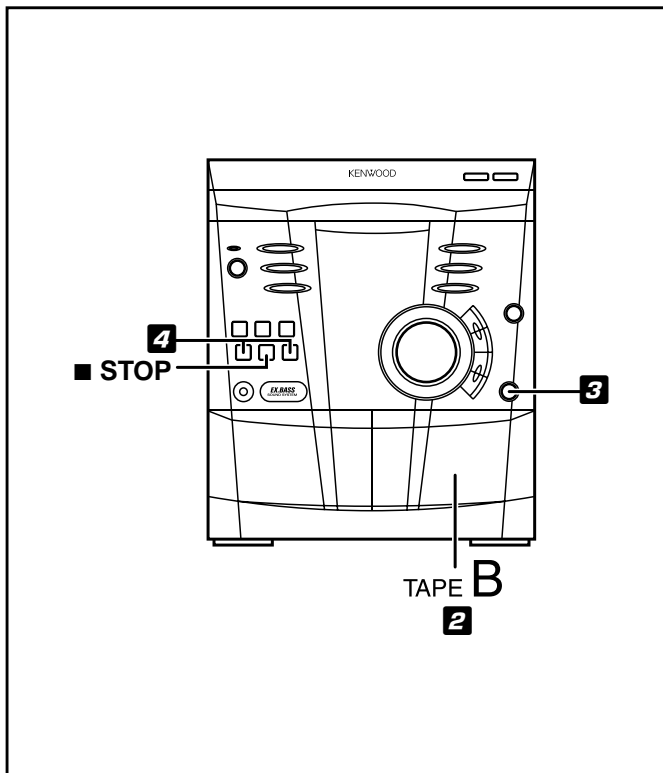
Press the REVERSE MODE button repeatedly to select the following setting :

- " \curvearrowright " Playback stops after having played both sides of tape in a deck.
- " \curvearrowleft " Endless playback of both sides of tape.
- " \curvearrow " Playback stops after having played one side of tape.



RECORDING (TAPE B only)

- When recording important selections, be sure to make a preliminary test to ensure that the desired material is being properly recorded.
- The volume and sound quality can be adjusted with no effect on the recorded signals (Variable Sound Monitor).
- Metal and CrO₂ tapes should not be used for recording or dubbing.



Recording from the built-in radio

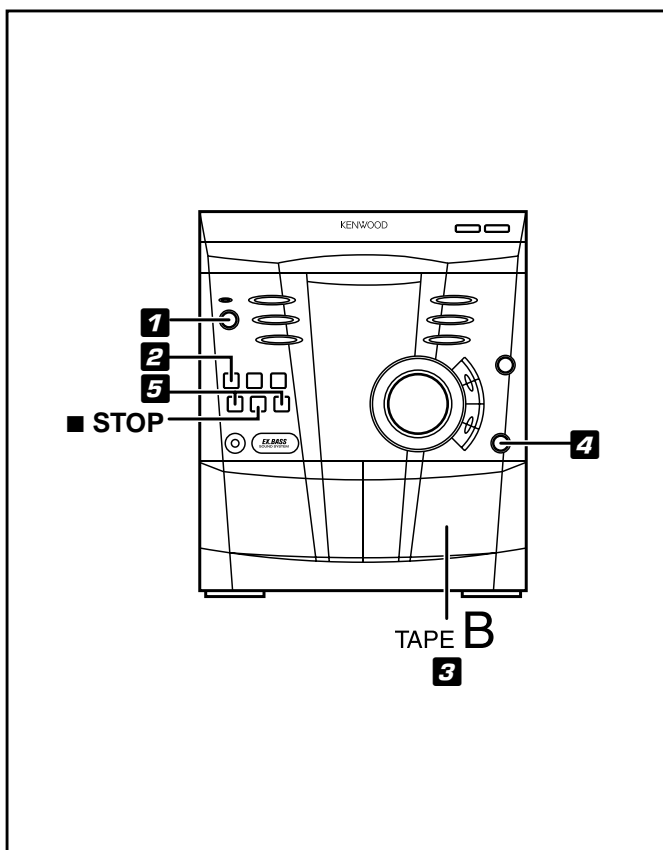
- 1** Tune in to the desired station. (see pages 19 - 21)
- 2** Load a cassette into the TAPE B cassette compartment.
- 3** Press the REC PAUSE button
 - "REC." and "● ◀ ▶" will flash.
- 4** Press the ◀ or ▶ button.
 - "REC." will disappear and "● ◀ or ● ▶" will light up on the display.

Note :

- If a whistling noise is heard whilst recording from an AM station, move the AM loop antenna to a position where noise is no longer heard from the unit.

To stop recording :

Press the ■ STOP button.



Recording from the built-in CD player (CD Synchronised Recording System)

- 1** Press the I/⏻ ON/STANDBY button to turn the power on.
- 2** Press the CD button and load the desired disc.
 - Use the program playback function to store the tracks you want to record in memory. (see page 18)
- 3** Load a cassette into the TAPE B cassette compartment.
- 4** Press the REC PAUSE button.
 - "SYNC." and "● ◀ ▶" will flash.
- 5** Press the ◀ or ▶ button.
 - "SYNC." will disappear and "● ◀ or ● ▶" will light up on the display.
 - CD playback will start approximately 5 seconds after the tape starts

To stop recording

Press the ■ STOP button.
The CD and tape will stop.

Note :

- When the end of the tape is reached whilst recording, the CD player will display the track number which was being played at that time, and stop automatically.

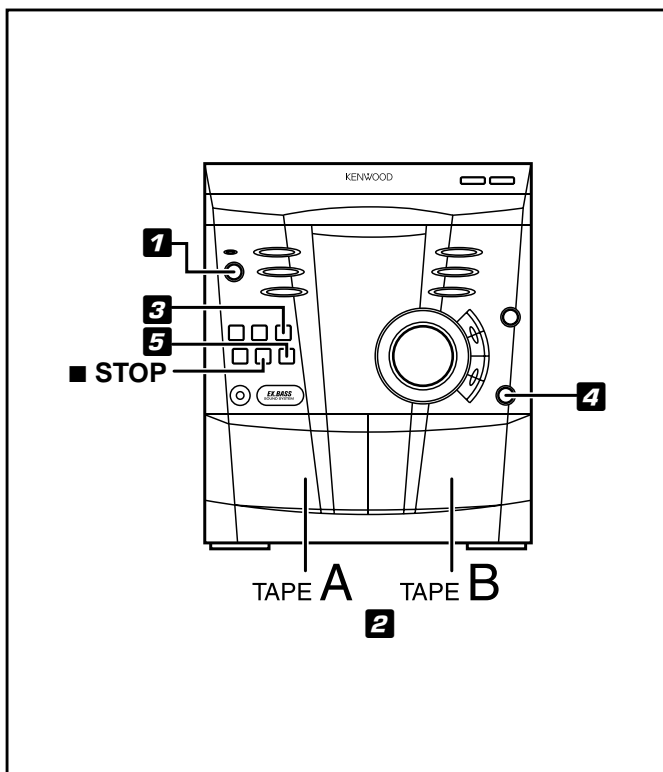
If you want to restart recording from the beginning of the interrupted track, turn over the tape, press the REC PAUSE button and then the ► button.

(If tracks have been stored in memory using the program playback function, recording will restart from the first track stored in memory.)

Selection of reverse mode :

Press the REVERSE MODE button repeatedly to select the following setting :

- “ ⇨ ” Recording stops after having recorded both sides of tape.
- “ ⇩ ” Recording stops after having recorded one side of tape.



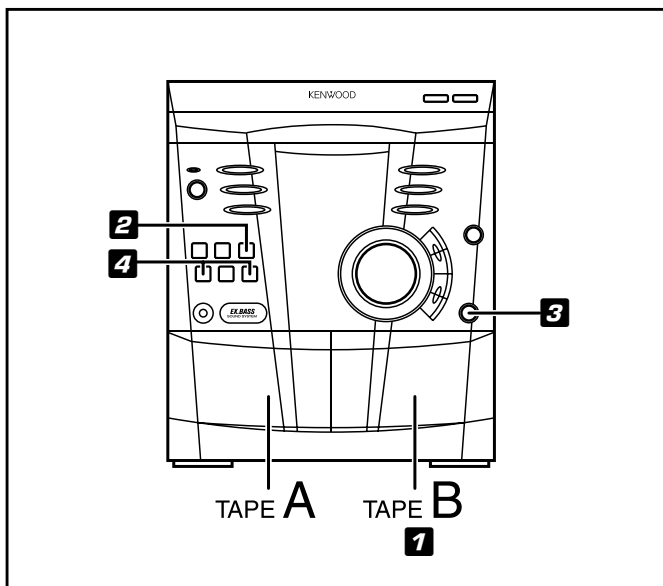
Dubbing from tape to tape

- Press the I/ON/STANDBY button to turn the power on.
- Load a prerecorded cassette into the TAPE A cassette compartment. Insert a blank tape into the TAPE B cassette compartment.
 - It is recommended that the recording tape be the same length as the master tape.
- Press the TAPE (A/B) button until “TAPE A” appears in the display.
- Press the REC PAUSE button.
“REC.” and “● ►” will flash.
- Press the ► button.
“REC.” will disappear and “● ►” will light up on the display.

To stop dubbing :

Press the ■ STOP button.

- TAPE A and TAPE B will simultaneously stop.

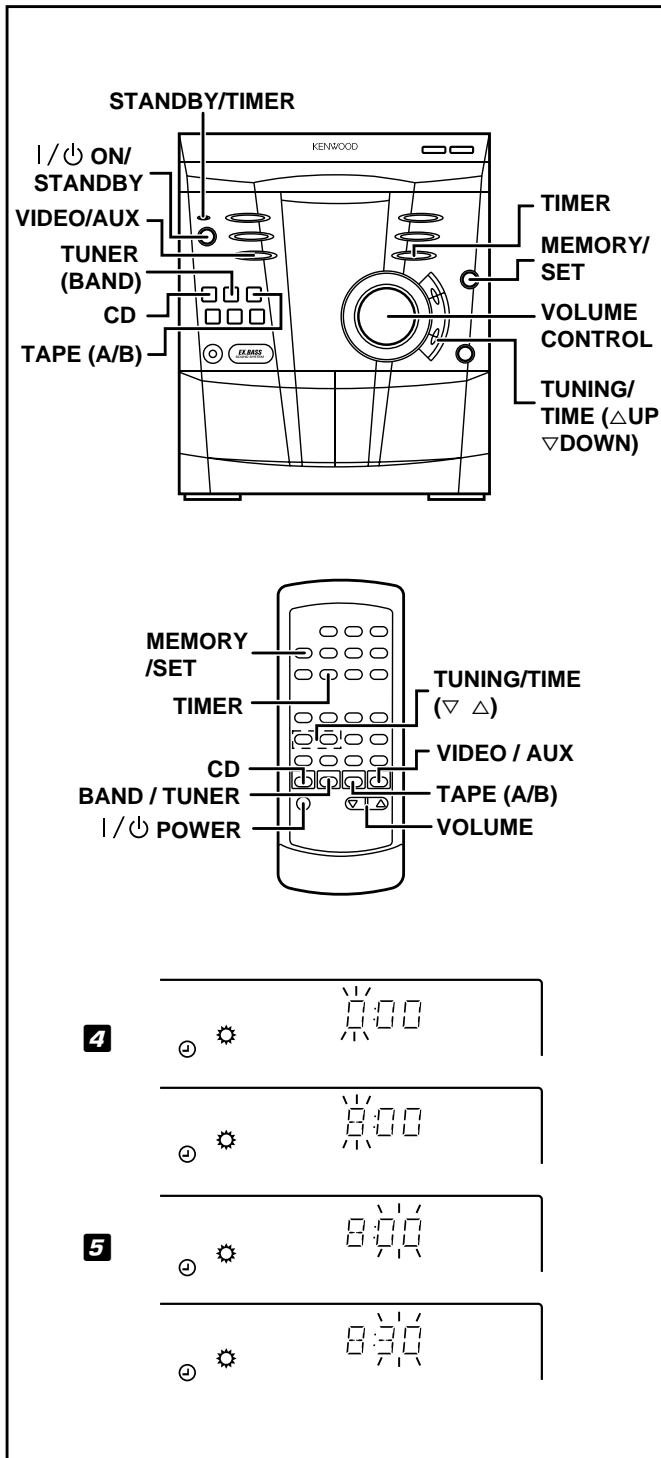


Erasing recorded tapes

- Make sure that TAPE A is not in use.
- Load the tape to be erased into the TAPE B cassette compartment.
 - Press the TAPE (A/B) button until “TAPE B” appears in the display.
 - Press the REC PAUSE button.
“ERASE” and “● ◀ ▶” will flash.
 - Press the ◀ or ▶ button.
“ERASE” and “● ◀ or ● ▶” will light up on the display.

HOW TO USE THE BUILT-IN TIMER

- Before setting the timer, make sure that the clock setting is correct. (page 11)

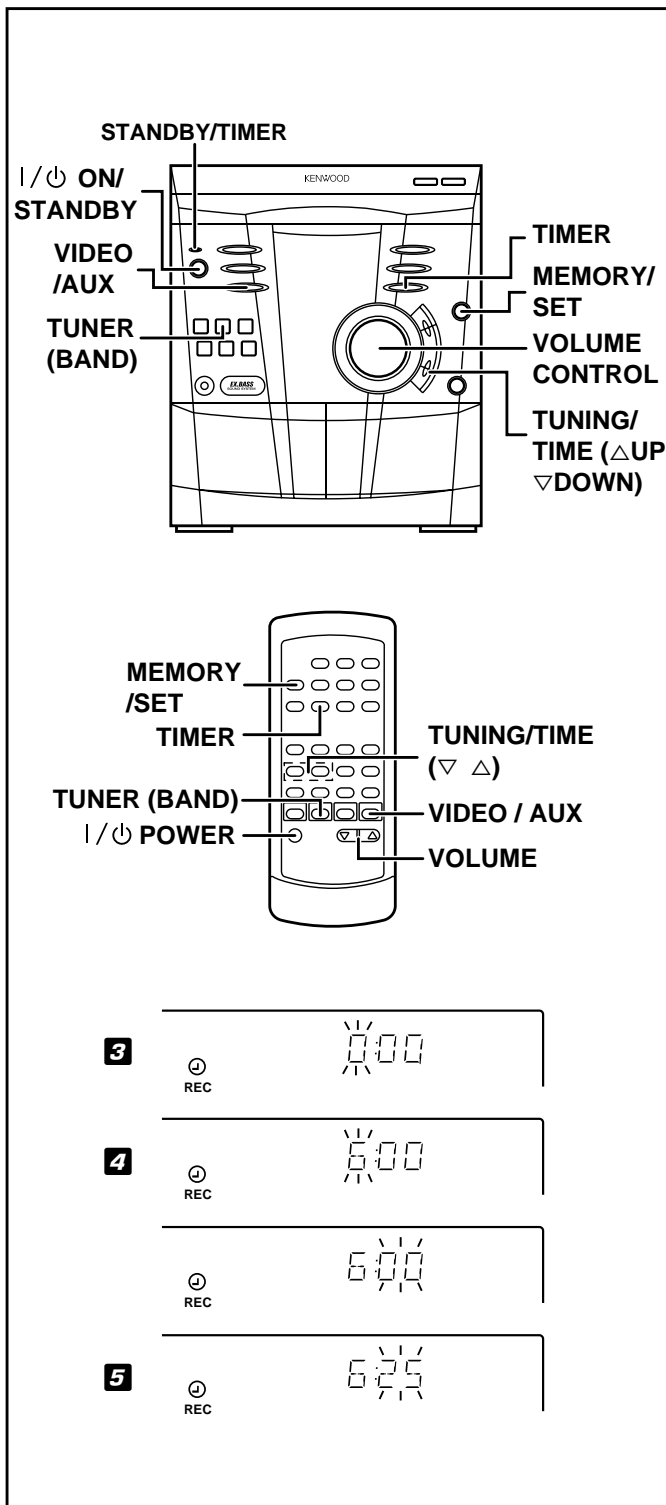


Timer playback

- 1 Press the I/ON/STANDBY button to turn the power on
 - 2 Press the CD, TUNER (BAND), TAPE (A/B) or VIDEO/AUX button to select the desired function, and then adjust the sound volume using the VOLUME CONTROL.
 - 3 Press the TIMER button repeatedly until "Ⓢ ⚙" is displayed.
 - 4 Press the TUNING/TIME (ΔUP or ∇DOWN) button to set the hour start time, then press the MEMORY/SET button.
 - 5 Press the TUNING/TIME (ΔUP or ∇DOWN) button to set the minute start time, then press the MEMORY/SET button.
- The unit will enter the standby mode automatically, and the STANDBY/TIMER indicator will light up.
 - 6 When the preset time is reached, the timer playback will start.
 - The volume will increase gradually.

Notes :

- When performing timer playback using an external unit connected to the VIDEO/AUX socket, only the power of the main unit will be turned off automatically. (The power of the external unit will not be turned off.)
- If you select CD or TAPE, the unit will enter the standby mode after the playback. If you select TUNER or VIDEO/AUX, it will enter the standby mode one hour after the timer playback starts.



Timer recording

- 1** Press the I/⏻ ON/STANDBY button to turn the power on.
 - Load a cassette for recording into the TAPE B cassette compartment.
- 2** Press the TUNER (BAND) or VIDEO/AUX button to select the desired function, and then adjust the sound volume using the VOLUME CONTROL.
- 3** Press the TIMER button repeatedly until "⊕ REC" is displayed.
- 4** Press the TUNING/TIME (ΔUP or ∇DOWN) button to set the hour start time, then press the MEMORY/SET button.
- 5** Press the TUNING/TIME (ΔUP or ∇DOWN) button to set the minute start time, then press the MEMORY/SET button.
 - The unit will enter the standby mode automatically, and the STANDBY/TIMER indicator will light up.
- 6** When the preset time is reached, the timer recording will start.
 - The volume will increase gradually.
- 7** When the recording tape reaches its end, the timer recording will end, and the unit will enter the standby mode.

To cancel timer operation :

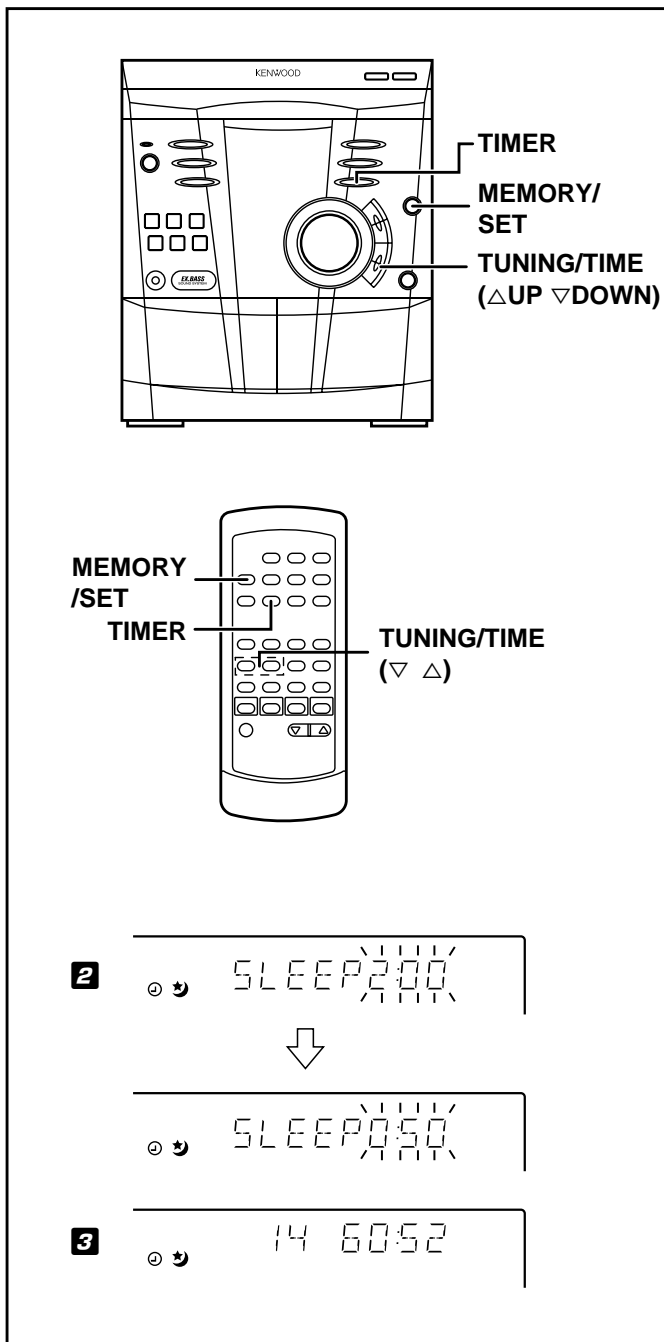
Press the I/⏻ ON/STANDBY button to turn the power on.

To change the programmed contents :

Start again from step **1**.

Note :

- Once the time is set, the setting will be retained until a new time is entered.



Sleep operation

The radio, compact disc and cassette deck can be turned off automatically.

- 1** Play back the desired sound source.
- 2** Press the TIMER button repeatedly until "⌚ 🎵" is displayed.

To change the sleep time :

Whilst the sleep time is displayed, press the TUNING/TIME (ΔUP or ▽DOWN) button to adjust the time.

(Maximum : 3 hours - Minimum : 1 minute)

The amount of sleep time can also be changed during the sleep operation.

- 3 hours - 5 minutes → 5 -minutes interval
- 5 minutes - 1 minute → 1 -minute interval

- 3** Press the MEMORY/SET button.
- 4** The unit will enter the standby mode automatically after the preset sleep time has elapsed.

Note :

- Once the sleep timer is set, it will remain the same until the setting is changed.

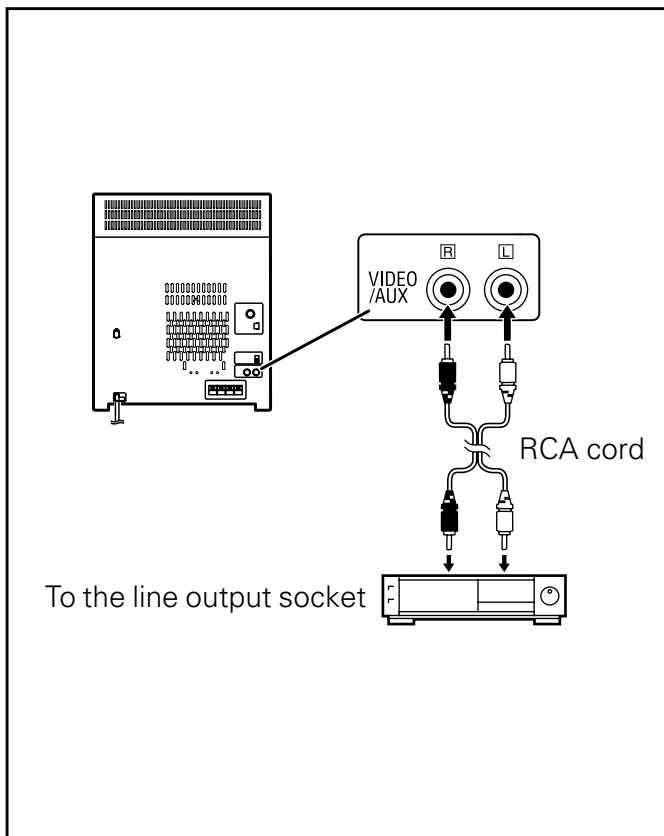
To confirm the remaining sleep time :

Press the TIMER button.

To cancel the sleep operation :

Press the I/⏻ ON/STANDBY button to enter the standby mode.

USING EXTERNAL UNITS



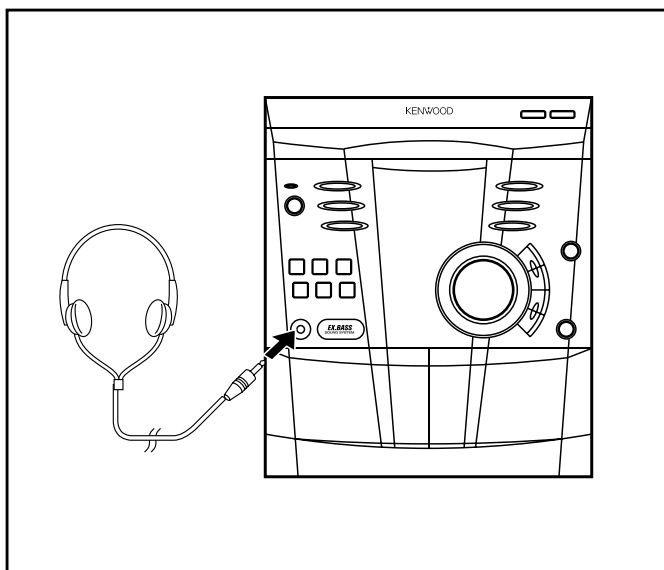
Video/Auxiliary (Audio signal) input

To listen to or record signals from external sources through this unit :

- 1** Use a separately available RCA cord to connect the desired external unit to the VIDEO/AUX sockets.
(red = right channel, white = left channel)
- When using video equipment (Laser Disc player or VCR), be sure to connect the audio output to this unit and the video output to a television.
- 2** Press the I/ON/STANDBY button to turn the power on.
- 3** Press the VIDEO/AUX button.
- 4** Operate the external unit.
- 5** To record the sound from the external unit, perform steps **2** - **4** of the "Recording from the built-in radio" section on page 31.

Note :

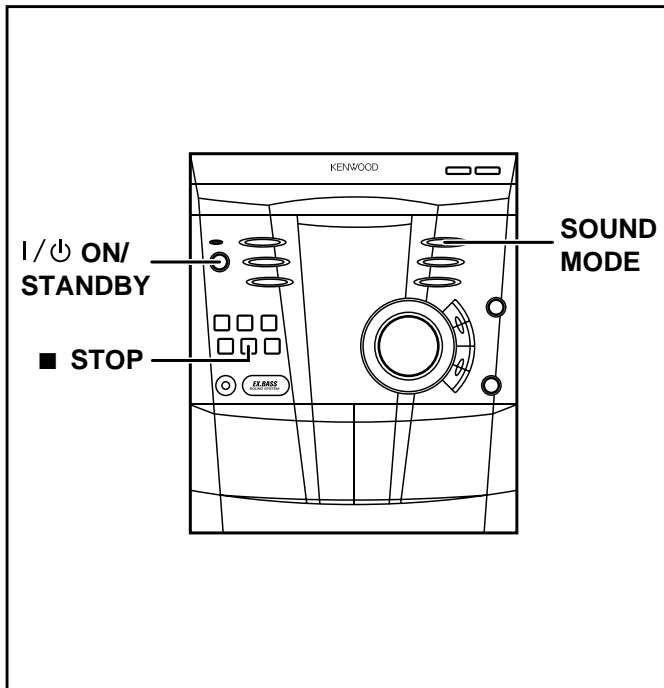
- To prevent hum interference, do not place this unit near a television receiver.



Headphones

- Before plugging in or unplugging the headphones, make sure the volume level is reduced.
- Be sure your headphones have a 3.5mm (1/8") diameter plug and are between 16 Ω and 50 Ω impedance. The recommended impedance is 32 Ω .
- When headphones are connected, the speakers are disconnected automatically. Adjust the VOLUME CONTROL for the desired volume.

RESETTING THE MICROCOMPUTER



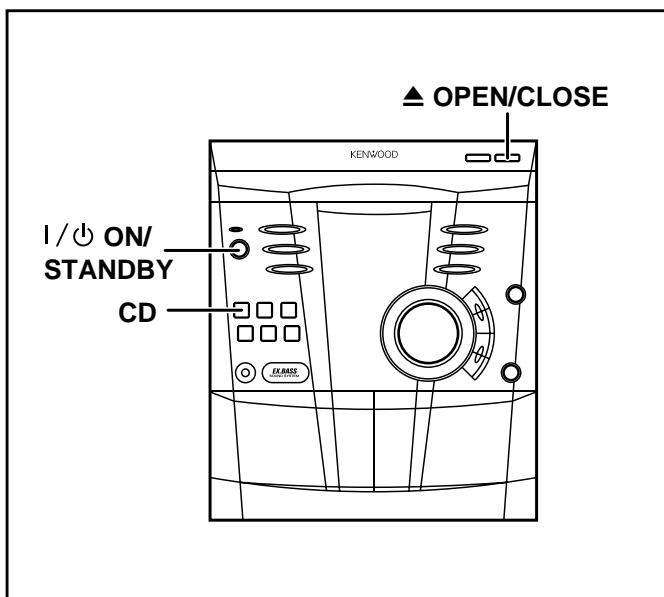
Reset the microcomputer under the following conditions :

- To erase all of the stored memory contents (clock and timer settings, and tuner and CD presets).
 - If the display is not correct.
 - If the operation is not correct.
- 1** Press the I/ON/STANDBY button to enter the standby mode.
 - 2** Whilst pressing down the ■ STOP button and the SOUND MODE button, hold down the I/ON/STANDBY button for at least 1 second.
- "CLEAR AL" will appear.

Caution :

- The operation explained above will erase all data stored in memory including clock and timer settings, and tuner and CD presets.

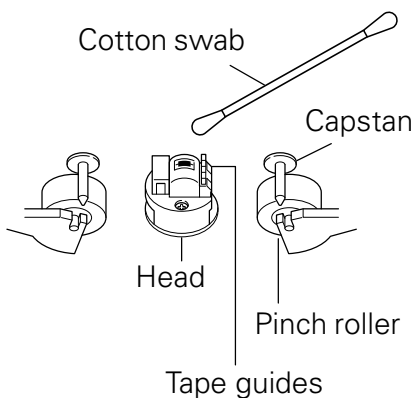
TRANSPORTING THE UNIT



Before you move this product to a new location, proceed as follows :

- 1** Press the I/ON/STANDBY button to turn the power on.
 - 2** Press the CD button.
 - 3** Press the ▲ OPEN/CLOSE button to open the disc tray.
- Remove all CDs inserted in the unit.
- 4** Press the ▲ OPEN/CLOSE button to close the disc tray.
- Make sure that "NO DISC" is displayed.
- 5** Press the I/ON/STANDBY button to enter the standby mode and then unplug the AC power cord from the AC socket.

MAINTENANCE



Cleaning the heads and peripheral components

For maintaining the best condition of the deck and for longer service life, always keep the heads, capstan and pinch roller clean. To clean them, perform the following:

- 1) Open the cassette holder.
- 2) Using a cotton swab dipped in alcohol, clean the head, capstan and pinch roller carefully.

Demagnetizing the head

When the recording / playback head is magnetized, the sound quality will deteriorate. In such a case, demagnetize the head using a commercially available demagnetizer (head eraser).

Note

- There are precisely aligned parts around the heads, including the tape guides. When cleaning, pay special attention so as not to apply shock to them.

Maintenance of the unit

When the front panel or case becomes dirty, wipe with a soft, dry cloth. Do not use thinner, benzene, alcohol, etc. for these agents may cause discoloration.

In regard to contact cleaner

Do not use contact cleaners because it could cause a malfunction. Be specially careful not to use contact cleaners containing oil, for they may deform the plastic component.

Caution on condensation

Condensation (of dew) may occur inside the unit when there is a great difference in temperature between this unit and the outside. This unit may not function properly if condensation occurs. In this case, leave the unit for a few hours and restart the operation after the condensation has dried up.

Be specially cautious against condensation in following circumstances:

When this unit is carried from a place to another across a large difference in temperature, when the humidity in the room where this unit is installed increases, etc.

WARNING NOTICE:

In most cases it is an infringement of copyright to make copies of tapes or discs without the permission of the copyright owners. Anyone wishing to copy commercially available tapes or disc should contact the mechanical copyright protection society limited or the performing rights society limited.

SPECIFICATIONS

(XD-855 / XD-855E / XD855 / XD-755 / XD-755E / XD755)

Main Unit

[Amplifier section]

Rated power output
(U.K. and Europe)
1 kHz, 0.7% T.H.D., 6 Ω (DIN) 120W + 120W
(other countries)
1 kHz, 1% T.H.D., 6 Ω (RMS) 122W + 122W
Effective output power during STEREO operation
1 kHz, 10% T.H.D., 6 Ω (RMS) 150W + 150W
Effective Music power (DIN) (One channel driven)
(U.K. and Europe)
..... 260W + 260W
Signal to noise ratio
VIDEO/AUX INPUT 88 dB (IHF' 66)
Input sensitivity / impedance
VIDEO/AUX INPUT 600 mV / 47 kΩ

[Tuner section]

FM tuner section
Tuning frequency range 87.5 MHz ~ 108 MHz

MW (AM) Tuner section
Tuning frequency range
(U.K. and Europe) 522kHz ~ 1,620kHz
(Other countries)
9 kHz step 531kHz ~ 1,602kHz
10 kHz step 530kHz ~ 1,620kHz

[Cassette deck section]

Track 4-track, 2-channel stereo
Recording system AC bias system
(Frequency: 100 kHz)

Heads
A deck : Playback head 1
B deck : Playback / recording head 1
Erasing head 1
Fast winding time Approx. 100 seconds
(C-60 tape)

[CD player section]

Laser wave length 770 to 795 nm
Laser power class 1 (IEC)
Wow & Flutter Less than unmeasurable limit

[General]

Power consumption 130 W
Dimensions W : 270 mm (10-5/8")
H : 330 mm (13")
D : 390 mm (15-3/8")
Weight (net) 9.3kg (20.5lb)

Speakers (LS-N90S)

Enclosure Bass-reflex type
Speaker configuration
Super-Woofer 130 mm, cone type
Woofer 130 mm, cone type
Tweeter 50 mm, cone type
Super-tweeter 20 mm, dome type
Impedance 6 Ω
Maximum input power 150W
Dimensions W : 235 mm (9-1/4")
H : 400 mm (15-3/4")
D : 334 mm (13-1/8")
Weight (net) 6.1kg (13.4 lb) (1 piece)

Speakers (LS-N70S)

Enclosure Bass-reflex type
Speaker configuration
Woofer 160 mm, cone type
Tweeter 50 mm, cone type
Super-tweeter 20 mm, dome type
Impedance 6 Ω
Maximum input power 150W
Dimensions W : 226 mm (8-7/8")
H : 330 mm (13")
D : 256 mm (8-7/8")
Weight (net) 3.8kg (8.4 lb) (1 piece)

SPECIFICATIONS (XD-655 / XD655)

Main Unit

[Amplifier section]

Rated power output
1 kHz, 1% T.H.D., 6 Ω..... (RMS) 72 W + 72 W
Effective output power during STEREO operation
1 kHz, 10% T.H.D., 6 Ω.... (RMS) 100 W + 100 W
Signal to noise ratio
VIDEO/AUX INPUT 88 dB (IHF' 66)
Input sensitivity / impedance
VIDEO/AUX INPUT 600 mV / 47 kΩ

[Tuner section]

FM tuner section
Tuning frequency range 87.5 MHz ~ 108 MHz

MW (AM) Tuner section
Tuning frequency range
9 kHz step 531kHz ~ 1,602kHz
10 kHz step 530kHz ~ 1,620kHz

[Cassette deck section]

Track 4-track, 2-channel stereo
Recording system AC bias system
(Frequency: 100 kHz)

Heads

A deck : Playback head 1
B deck : Playback / recording head 1
Erasing head 1
Fast winding time Approx. 100 seconds
(C-60 tape)

[CD player section]

Laser wave length 770 to 795 nm
Laser power class 1 (IEC)
Wow & Flutter Less than unmeasurable limit

[General]

Power consumption 100W
Dimensions W : 270 mm (10-5/8")
H : 330 mm (13")
D : 390 mm (15-3/8")
Weight (net) 9.0kg (19.8 lb)

Speakers (LS-N50S)

Enclosure Bass-reflex type
Speaker configuration
Woofer 160 mm, cone type
Tweeter 50 mm, cone type
Super-tweeter 20 mm, dome type
Impedance 6 Ω
Maximum input power 100W
Dimensions W : 226 mm (8-7/8")
H : 330 mm (13")
D : 225 mm (8-7/8")
Weight (net) 3.5kg (7.7 lb) (1 piece)

KENWOOD

For your records

Record the serial number, found on the back of the unit, in the spaces designated on the warranty card, and in the space provided below. Refer to the model and serial numbers whenever you call upon your dealer for information or service on this product.

Model _____ Serial Number _____

Free Manuals Download Website

<http://myh66.com>

<http://usermanuals.us>

<http://www.somanuals.com>

<http://www.4manuals.cc>

<http://www.manual-lib.com>

<http://www.404manual.com>

<http://www.luxmanual.com>

<http://aubethermostatmanual.com>

Golf course search by state

<http://golfingnear.com>

Email search by domain

<http://emailbydomain.com>

Auto manuals search

<http://auto.somanuals.com>

TV manuals search

<http://tv.somanuals.com>