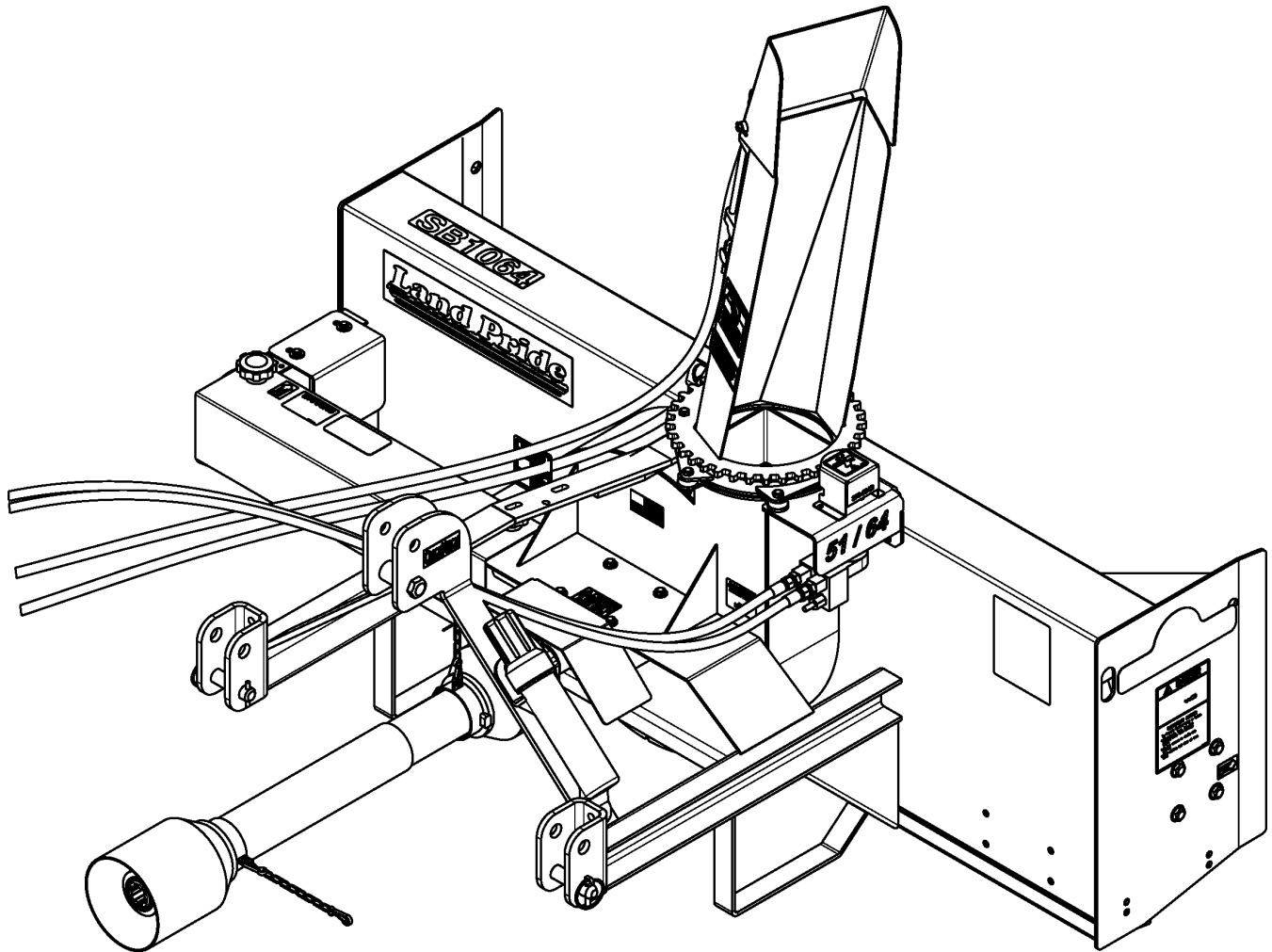


Snow Blowers

SB1051 & SB1064 S/N 881640-



33084

370-027P
Parts Manual



Read the Operator's manual entirely. When you see this symbol, the subsequent instructions and warnings are serious - follow without exception. Your life and the lives of others depend on it!

© Copyright 2015 Printed 03/17/15

Cover photo may show optional equipment not supplied with standard unit.





Table of Contents

Section 1: Introduction.....	4
Using This Manual.....	4
Manual Replacement Information.....	4
Manual Revisions.....	4
Touch-up Paint.....	4
Hardware Legend.....	5
Replacement Hardware.....	5
Serial Numbers.....	5
Part Number Service Coding.....	5
Section 2: Frame & Auger Components.....	6
Auger Components.....	6
Frame & Chute.....	8
Section 3: Drive Components.....	10
Auger & Impeller Drive.....	10
Driveline (826-687C) Comer.....	12
Gear Box (826-653C).....	14
Section 4: Options & Accessories.....	16
Chute Adjustment Electric S/N 759835-.....	16
Chute Adjustment Electric S/N 759836+.....	18
Chute Adjustment Hydraulic S/N 721286-.....	20
Chute Adjustment Hydraulic S/N 721287 to S/N 759835...22	
Chute Adjustment Hydraulic S/N 759836+.....	24
Chute Adjustment Manual.....	26
Chute Adjustment Manual SB1051.....	28
Control Box (823-377C).....	30
Electric Switch Box Harness.....	32
Hydraulic Cylinder Double Acting (810-125C) Lion.....	34
Inner Skid Shoes.....	36
Outer Skid Shoes.....	38
Side Adjustment Plates.....	40
Tilt Adjustment Electric.....	42
Tilt Adjustment Hydraulic.....	44
Tilt Adjustment Manual.....	46
Section 5: Labels.....	48
Label Placement.....	48
 Part Number Index.....	 50

© Copyright 2015. All rights reserved.

Land Pride provides this publication "as is" without warranty of any kind, either expressed or implied. While every precaution has been taken in the preparation of this manual, Land Pride assumes no responsibility for errors or omissions. Neither is any liability assumed for damages resulting from the use of the information contained herein. Land Pride reserves the right to revise and improve its products as it sees fit. This publication describes the state of this product at the time of its publication, and may not reflect the product in the future. The illustrations in this manual are not intended for safe and proper assembly or disassembly of equipment. The illustrations are intended for ordering parts only.

Land Pride is registered trademark.

All other brands and product names are trademarks or registered trademarks of their respective holders.

Printed in the United States of America.



Alphabetized Table of Contents

A	
Auger & Impeller Drive.....	10
Auger Components.....	6
C	
Chute Adjustment Electric S/N 759835-.....	16
Chute Adjustment Electric S/N 759836+.....	18
Chute Adjustment Hydraulic S/N 721286-.....	20
Chute Adjustment Hydraulic S/N 721287 to S/N 759835.....	22
Chute Adjustment Hydraulic S/N 759836+.....	24
Chute Adjustment Manual.....	26
Chute Adjustment Manual SB1051.....	28
Control Box (823-377C).....	30
D	
Driveline (826-687C) Comer.....	12
E	
Electric Switch Box Harness.....	32
F	
Frame & Chute.....	8
G	
Gear Box (826-653C).....	14
H	
Hydraulic Cylinder Double Acting (810-125C) Lion.....	34
I	
Inner Skid Shoes.....	36
L	
Label Placement.....	48
O	
Outer Skid Shoes.....	38
S	
Side Adjustment Plates.....	40
T	
Tilt Adjustment Electric.....	42
Tilt Adjustment Hydraulic.....	44
Tilt Adjustment Manual.....	46

General Information

Using This Manual

This manual is divided into sections. The first section contains General Information. The remaining sections divide the machine into segments (i.e. Frames, Drives, Hydraulics, etc.) which illustrate and list all parts. A Parts Number Index is located at the back of the book.

The Land Pride parts in this manual are specially designed for this machine and should be replaced with Land Pride parts only.

The information in this manual is current at time of printing. Some parts may change to assure top performance.

Right-hand and left-hand as used in this manual are determined by facing the direction the machine will travel while in use.

Below is an example of two facing pages from a parts manual. Familiarize yourself with the type of information contained on these pages.

Manual Replacement Information

Replacement manuals are available. Refer to our website at www.landpride.com or e-mail us at lit@landpride.com for additional information. Our website continues to provide the most up-to-date manuals available.

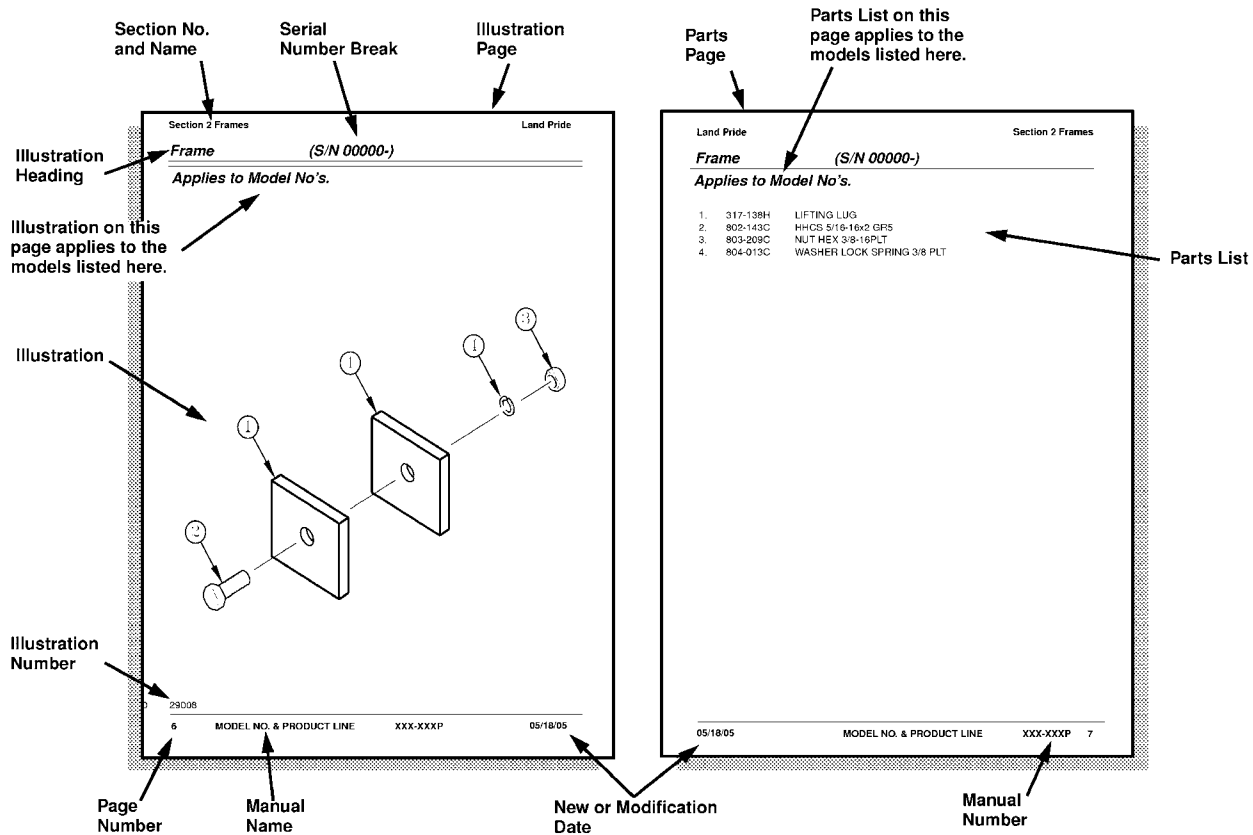
Touch-up Paint

Repaint parts where paint is worn or scratched to prevent rust. Aerosol cans and touch-up bottles with brush applicator are available through your local dealer. Land Pride color descriptions and part numbers are listed below. Also available are quart and gallon size paints. Add QT or GL to end of the Aerosol P/N.

Color	Product*	Aerosol	Touch-Up
Gloss Black	LP	821-032C	821-032CTU
Beige	LP	821-011C	821-011CTU
Green	SLP	821-058C	821-058CTU
Orange	SLP	821-066C	821-066CTU
Red	SLP	821-054C	821-054CTU
Blue	SLP	821-067C	821-067CTU

Notes:

- * LP = All Land Pride Products
- SLP = Select Land Pride Products that are available in optional Green, Orange and Red.



General Information

Hardware Legend

AR	As Required
BLADE	Blade Bolt
C	Cap Screw
CP	Cotter Pin
CPHSSS	Cup Point Hex Socket Set Screw
CPSHSS	Cup Point Square Head Set Screw
CPSQHSS	Cup Point Square Head Set Screw
CRFCHMS3	Cross Recess Flat Countersunk Head Machine Screw
CRPHMS	Cross Recess Pan Head Machine Screw
CRPHTF	Cross Recess Pan Head Thread Forming
CRRHMS	Cross Recess Round Head Machine Screw
CRTHMS	Cross Recess Truss Head Machine Screw
CSNB	Countersunk Square Neck Bolt
FHMS	Flat Head Machine Screw
FTC	Full Thread Cap Screw
H	Hex Nut
HCLN	Hex Center Lock Nut
HFLCS	Hex Flange Lock Cap Screw
HFS	Hex Flange Screw
HFSLN	Hex Flange Serrated Lock Nut
HFSS	Hex Flange Serrated Screw
HHCS	Hex Head Cap Screw or Metric Bolt
HSBHCS	Hex Socket Button Head Cap Screw
HSFCHCS	Hex Socket Flat Countersunk Head Cap Screw
HSHCS	Hex Socket Head Cap Screw
HSSS	Hex Socket Head Screw
HTLN	Hex Top Lock Nut
HWHCS	Hex Washer Head Cap Screw

HWHMS	Hex Washer Head Machine Screw
HXBHCS	Hex Socket Button Head Cap Screw
J	Hex Jam Nut
JIC	37 Degree Tapered Thread
L	Helical Spring Lock Washer
LUG	Lug Bolt
NFC	National Fine Cap Screw
NPSM	National Pipe Straight Mechanical
NPTF	National Pipe Taper Fuel
P	Wide Plain Washer
PHMS	Pan Head Machine Screw
PLOW	Plow Bolt
RHMS	Round Head Machine Screw
RHSNB	Round Head Square Neck Bolt
SCREW LEVELING	Leveling Screw
SCREW THUMB	Thumb Screw
SCREW WELD	Weld Screw
SFCHMS	Slotted Flat Countersunk Head Machine Screw
SFHMS	Slotted Fillister Head Machine Screw
SP	Special
SP SCREW	Special Screw
SQHSS	Square Head Set Screw
SRHMS	Slotted Round Head Machine Screw
SSS	Socket Set Screw
STCS	Self Tapping Cap Screw
STHMS	Slotted Truss Head Machine Screw
WHEEL	Wheel Studs and Hub Long Bolts
WING	Wing Bolt

Replacement Hardware

The **Hardware Legend** above lists hardware abbreviations used in the parts list. All bolts and nuts are Grade 5 unless otherwise noted. The use of improper grades of hardware can result in personal injury, damage to equipment, or loss of property.

Colored Replacement Parts

Land Pride offers replacement parts in factory standard colors and also on select models in Green, Orange, Red and Blue. Because of the variety of colors available, special attention must be given to the part number to prevent ordering the wrong replacement part.

A suffix number corresponding to one of the colors below must be added at the end of Land Pride's part number when ordering a replacement part with that color.

81 Green 83 Red
82 Orange 84 Blue

For example, if you are ordering a replacement part with part number 555-555C and the part you need is red, then add the suffix 83 to the end of the number to make the part number read 555-555C83. Parts ordered without a suffix number will be supplied in factory standard colors.

Black Replacement Parts

Some parts are factory standard black and some must be special ordered black. If your part is special ordered black, a second part number with the additional suffix number 85 on the end will be available. In this situation you must order that part with the suffix number for it to be black. Parts that are factory standard black will not have the suffix number.

Part Number Service Coding

Within the parts list some part numbers are coded for revisions and interchangeability. See notations in revision column.

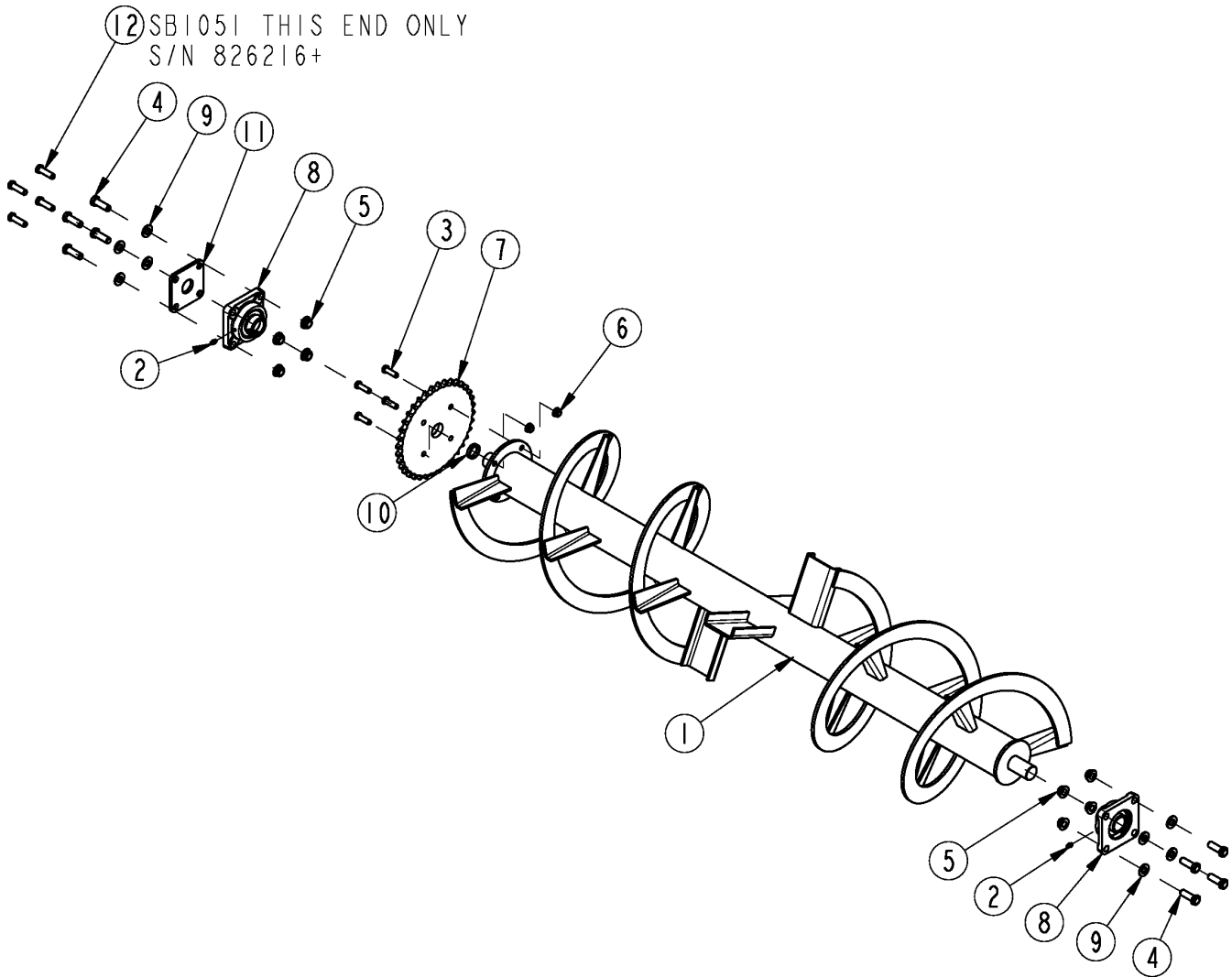
Serial Numbers

Always use the serial and model number when ordering parts. Refer to the Operator's Manual for serial number plate location.

- (S/N 20001+) Includes serial numbers 20001 and above (to the latest number)
- (S/N 10001 to 20000) Includes serial numbers between and including 10001 and 20000
- (S/N 10000-) Includes serial numbers 10000 and below (to the earliest number)

Auger Components

Applies to SB1051 S/N 881640-, SB1064 S/N 881640-



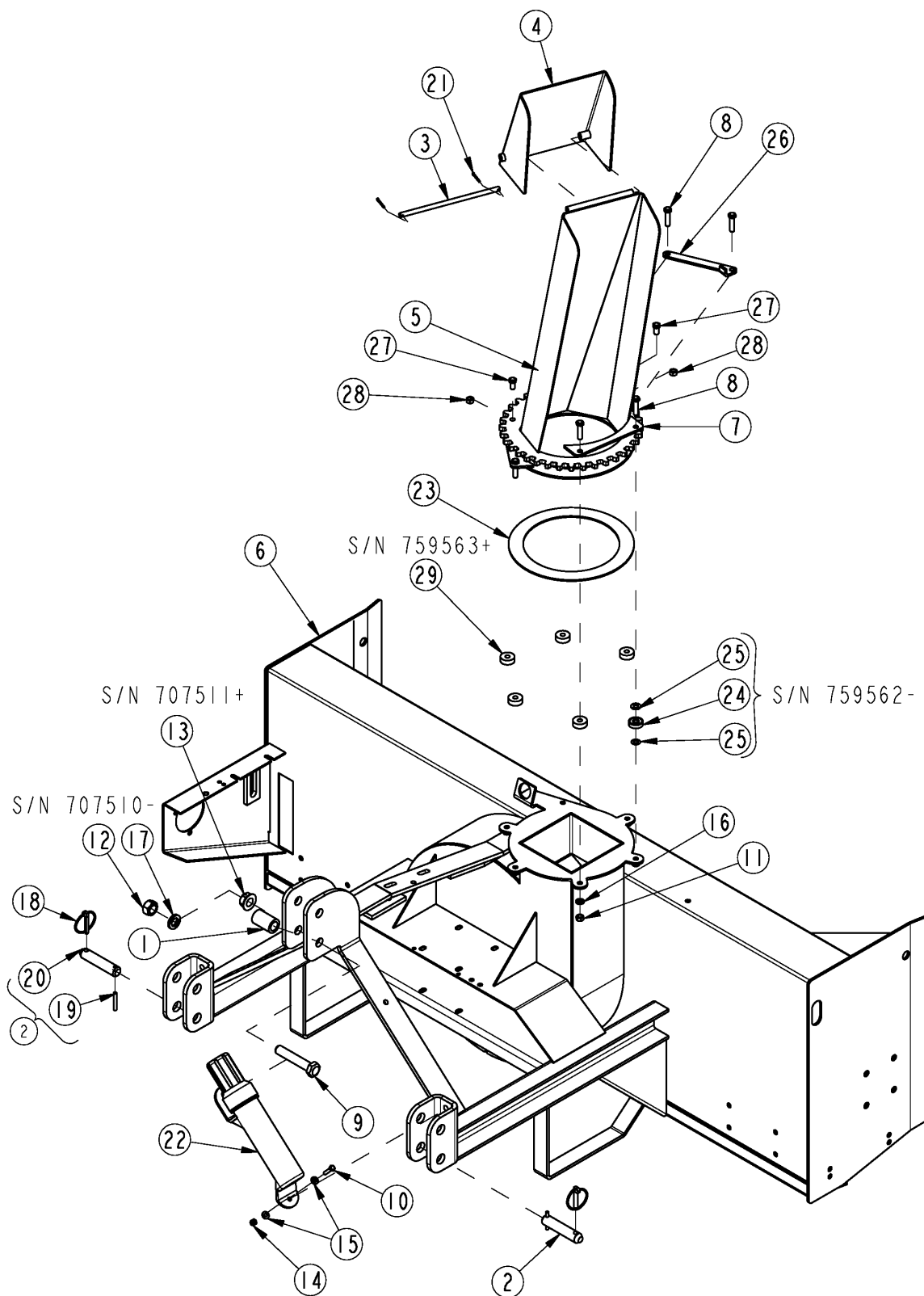
33064

Auger Components**Applies to SB1051 S/N 881640-, SB1064 S/N 881640-**

Ref	Part No.	Part Description	Comments	Revision
	dwg33064	Drawing Image Number		
1.	370-013H	AUGER	SB1051	
1.	370-032H	AUGER	SB1064	
2.	800-001C	GREASE ZERK STRAIGHT 1/4-28		
3.	802-079C	HHCS 3/8-16X1 1/4 GR5		
4.	802-673C	HHCS 7/16-14X1 1/4 GR5 PLT	SB1051 S/N 826215- Drive End	
4.	802-091C	HHCS 1/2-13X1 1/2 GR5	SB1064	
5.	803-229C	NUT HEX FLANGE LOC 7/16-14 PLT	SB1051	
5.	803-169C	NUT HEX FLG LOCK 1/2-13 PLT	SB1064	
6.	803-209C	NUT FLANGE LOCK 3/8-16 PLT		
7.	808-440C	SPKT 6036X W/4 HOLES 1.005 BOR	SB1051 S/N 708249+	
7.	808-423C	SPKT 6036X W/4 HOLES	SB1064 & SB1051 S/N 708248-	
8.	822-085C	BRG FLG 1.00ID 4BOLT	SB1051	
8.	822-243C	BRG 4 BOLT CAMLOCK 1.25 BORE	SB1064	
9.	804-041C	WASHER FLAT 7/16 SAE PLT	SB1051	
9.	804-016C	WASHER FLAT 1/2 SAE PLT	SB1064	
10.	370-248D	SPRKT SPACER SB1051	SB1051 S/N 708248-	
11.	370-684D	PLATE, BRG SPACER	SB1051 S/N 826216+	
12.	802-029C	HHCS 7/16-14X1 1/2 GR5	SB1051 S/N 826216+ Drive End	

Frame & Chute

Applies to SB1051 S/N 881640-, SB1064 S/N 881640-



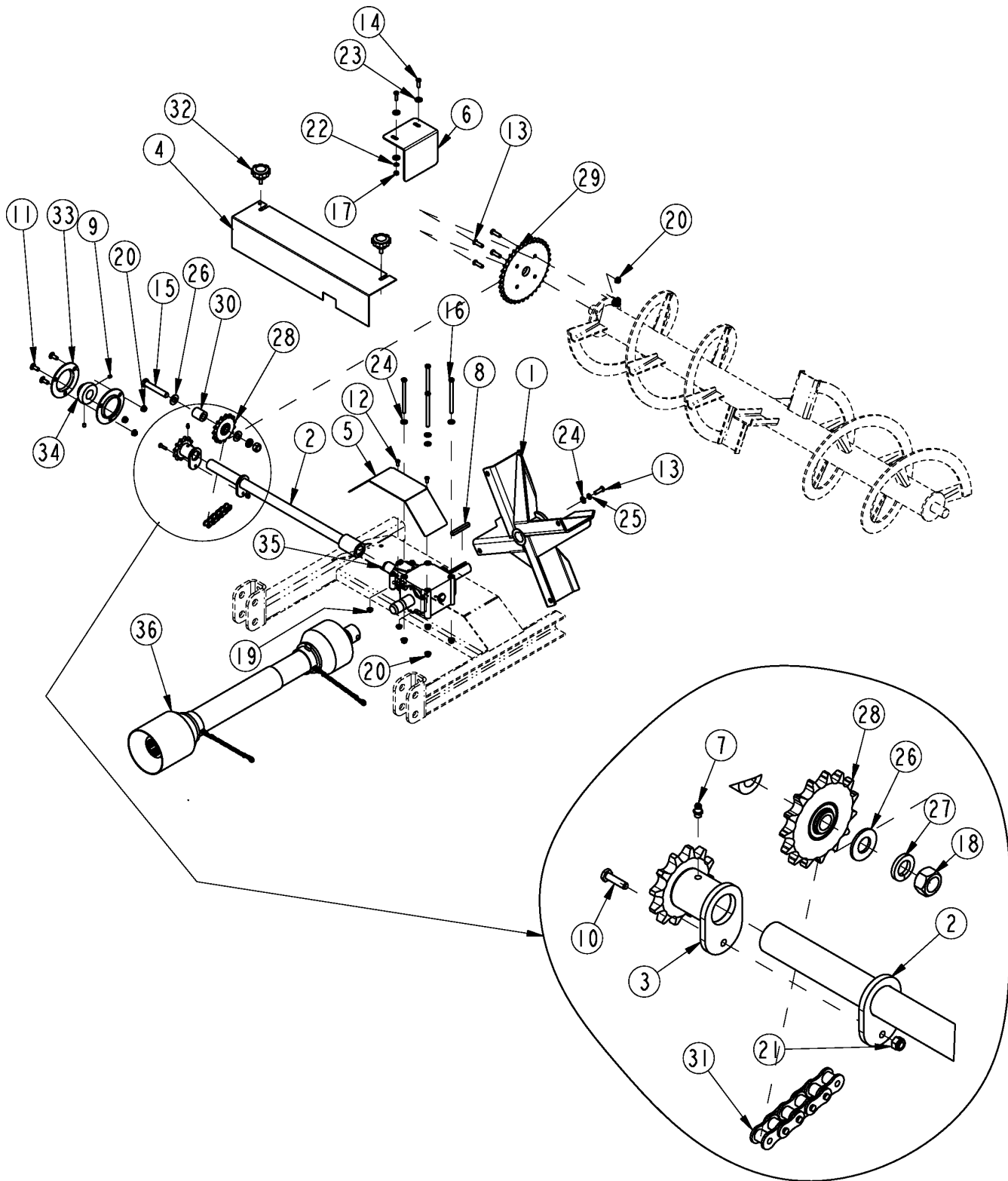
33062

Frame & Chute**Applies to SB1051 S/N 881640-, SB1064 S/N 881640-**

Ref	Part No.	Part Description	Comments	Revision
	dwg33062	Drawing Image Number		
1.	308-400D	SPACER 1 1/4OD X 13/16ID X 2LG		
2.	310-020S	LOWER HITCH PIN		
3.	370-061D	TILT PIVOT PIN		
4.	370-084H	SPOUT		
5.	370-085H	CHUTE WELD	SB1064	
5.	370-119H	CHUTE WELD 1051	SB1051	
6.	370-091H	DECK WELDMENT 1064	SB1064	
6.	370-091H82	DECK WELDMENT 1064 ORANGE		
6.	370-065H	DECK WELDMENT 1051	SB1051	
6.	370-065H82	DECK WELDMENT 1051 ORANGE		
7.	370-168D	BEARING STRAP		
8.	802-022C	HHCS 3/8-16X1 1/2 GR5		
9.	802-068C	HHCS 3/4-10X4 GR5		
10.	802-224C	HHCS 1/4-20X1 1/4 GR5		
11.	803-014C	NUT HEX 3/8-16 PLT		
12.	803-027C	NUT HEX 3/4-10 PLT	S/N 707510-	
13.	803-181C	NUT HEX FLANGE LOCK 3/4-10 PLT	S/N 707511+	
14.	803-255C	NUT HEX NYLOCK 1/4-20		
15.	804-007C	WASHER FLAT 1/4 SAE PLT		
16.	804-013C	WASHER LOCK SPRING 3/8 PLT		
17.	804-023C	WASHER LOCK SPRING 3/4 PLT	S/N 707510-	
18.	805-015C	PIN LINCH 5/16 X 1 3/4		
19.	805-041C	PIN ROLL 1/4X1 3/4		
20.	805-198C	PIN LOWER HITCH 7/8X3 1/16USBL		
21.	805-363C	PIN COTTER 1/8 X 1		
22.	816-504C	MANUAL STORAGE CONTAINER		
23.	817-870C	CHUTE BEARING UHMW		
24.	822-253C	BRG, .393 ID X 1.181 OD X .354	S/N 759562-	
25.	804-239C	WASHER MACH .379IDX.75ODX.015	S/N 759562-	
26.	370-250D	STOP BAR 10 SERIES	S/N 721287+	
27.	802-014C	HHCS 3/8-16X3/4 GR5	S/N 721287+	
28.	803-013C	NUT LOCK 3/8-16 PLT	S/N 721287+	
29.	817-976C	CHUTE BEARING	S/N 759563+	

Auger & Impeller Drive

Applies to SB1051 S/N 881640-, SB1064 S/N 881640-



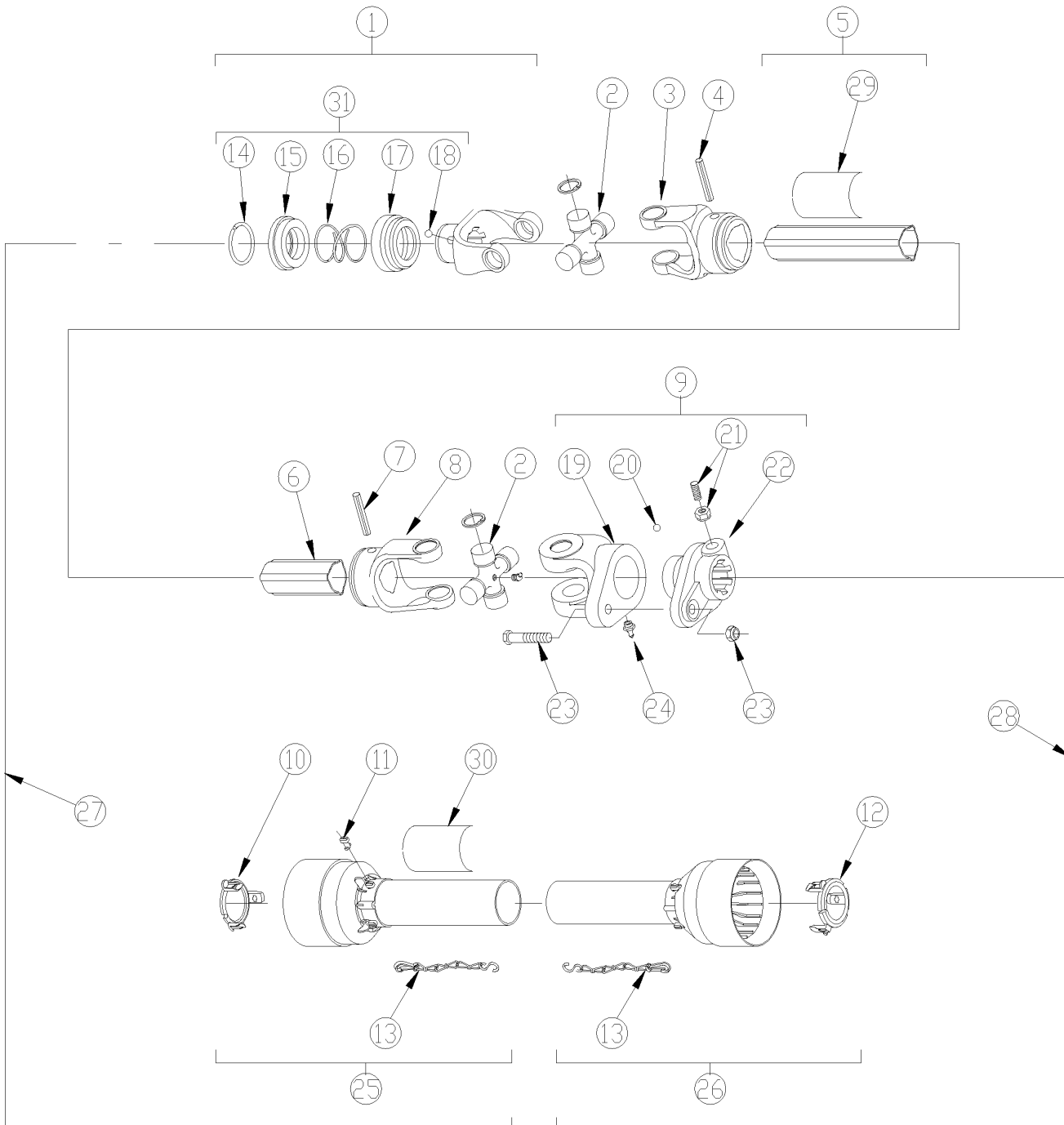
33063

Auger & Impeller Drive**Applies to SB1051 S/N 881640-, SB1064 S/N 881640-**

Ref	Part No.	Part Description	Comments	Revision
	dwg33063	Drawing Image Number		
1.	370-011H	IMPELLER 24X6		
2.	370-057H	REAR SHAFT	SB1064	
2.	370-006H	REAR SHAFT	SB1051	
3.	370-059H	SHEAR BOLT WELDMENT		
4.	370-152D	REAR SHAFT GUARD	SB1064	
4.	370-071D	REAR SHAFT GUARD	SB1051	
5.	370-229D	GUARD 10 SERIES		
6.	370-644D	IDLER GUARD	S/N 798259+	
7.	800-080C	GREASE ZERK 1/4-28 THD FORMING		
8.	800-402C	KEY 3/8 X 3/8 X 3		
9.	801-027C	SCREW SET 5/16-24 SKT KP X 5/16		
10.	802-005C	HHCS 1/4-20X1 GR5		
11.	802-015C	RHSNB 3/8-16X1 GR5		
12.	802-078C	HHCS 1/4-20X5/8 GR5		
13.	802-079C	HHCS 3/8-16X1 1/4 GR5		
14.	802-159C	HHCS 5/16-18X1 GR5	S/N 798259+	
15.	802-153C	HHCS 5/8-11X3 3/4 GR5	S/N 826216+	
15.	802-162C	HHCS 5/8-11X3 1/2 GR5	S/N 826215-	
16.	802-318C	HHCS 3/8-16X5 GR5		
17.	803-008C	NUT HEX 5/16-18 PLT	S/N 798259+	
18.	803-021C	NUT HEX 5/8-11 PLT		
19.	803-088C	NUT HEX LOCK 1/4-20 FLG		
20.	803-209C	NUT FLANGE LOCK 3/8-16 PLT		
21.	803-255C	NUT HEX NYLOCK 1/4-20		
22.	804-009C	WASHER LOCK SPRING 5/16 PLT	S/N 798259+	
23.	804-010C	WASHER FLAT 5/16 USS PLT	S/N 798259+	
24.	804-012C	WASHER FLAT 3/8 SAE PLT	S/N 707511+	
25.	804-013C	WASHER LOCK SPRING 3/8 PLT		
26.	804-021C	WASHER FLAT 5/8 SAE PLT		
27.	804-022C	WASHER LOCK SPRING 5/8 PLT		
28.	808-400C	60C15 IDLER SPROCKET W/BEARING		
29.	808-423C	SPKT 6036X W/4 HOLES		
30.	370-683D	IDLER BUSHING 15/25 1.43L	S/N 826216+	
30.	370-147D	IDLER BUSHING	S/N 826215-	
31.	809-233C	CHAIN RL #60 - 74 PITCH W/CON		
32.	817-358C	KNOB 3/8-16 MALE THD 2 3/8OD		
33.	822-218C	FLANGETTE 72MM 3-BOLT PLT		
34.	822-250C	BRG, 1.25 ID X 2.8346 X 1.26		
35.	826-653C	GBOX 1:1 CCW		
36.	826-687C	DRIVELINE 540 1290 SHEARBOLT		

Driveline (826-687C) Comer

Applies to SB1051 S/N 881640-, SB1064 S/N 881640-



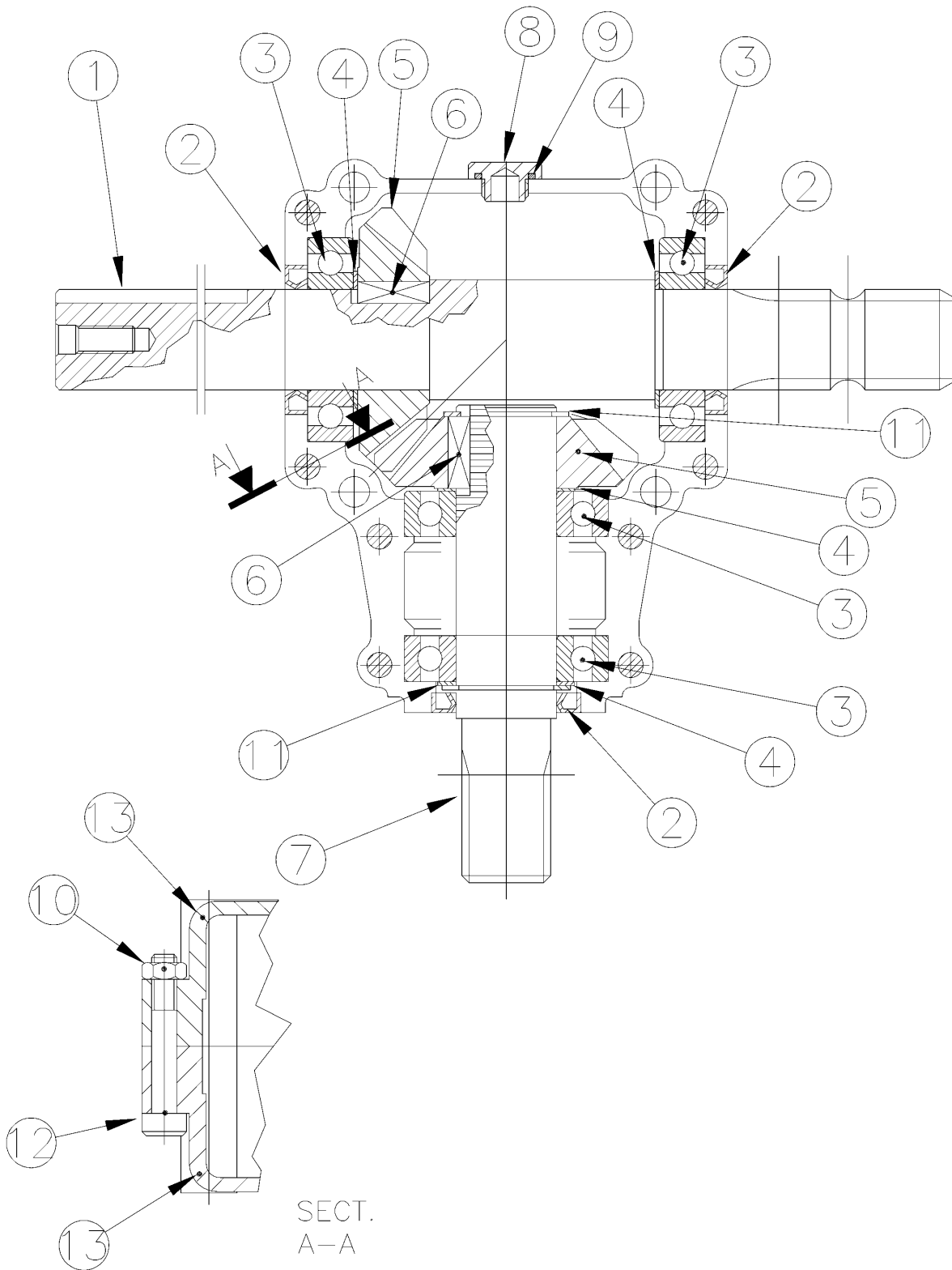
33117

Driveline (826-687C) Comer**Applies to SB1051 S/N 881640-, SB1064 S/N 881640-**

Ref	Part No.	Part Description	Comments	Revision
	dwg33117	Drawing Image Number		
	826-687C	DRIVELINE 540 1290 SHEARBOLT *		
1.	141.024.430.1	CO COMPLETE COLLAR YOKE C12		
2.	180.014.130	CO CROSS JOURNAL SET		
3.	151.014.006.1	CO OUTER YOKE		
4.	190.000.014	CO ROLL PIN FOR OUTER TUBE		
5.	152.140.2090710	CO OUTER TUBE		
6.	153.140.109	CO INNER TUBE		
7.	190.000.012	CO ROLL PIN FOR INNER TUBE		
8.	151.014.007.1	CO INNER YOKE		
9.	143.240.011.1	CO COMPLETE SHEAR BOLT (55XM8)		
10.	180.014.233	CO GRD COLLER OUTER TUBE		
11.	180.014.240	COMER BOLT		
12.	180.014.232	CO GRD COLLER INNER		
13.	180.016.636	CO SAFETY CHAINS		
14.	N/A	COMER OUTER CIRCLIP		
15.	N/A	COMER SLIDING SLEEVE COLLER		
16.	N/A	COMER SPRING		
17.	N/A	COMER FIXED SLEEVE		
18.	N/A	COMER BALL 1/2"		
19.	N/A	CO YOKE FO HUB B32 (55XM8)		
20.	N/A	CO BALL DIA 1/4"		
21.	165.000.525	CO BALL & NUT M12X70 C1.8.8		
22.	N/A	CO HUB B32 (55XM8)		
23.	165.000.571	CO BOLT & NUT M8X50 C1.6.6		
24.	190.000.020	COMER GREASE FITTING		
25.	142.241.1687421	CO HALF FEMALE GUARD		
26.	142.241.2417421	CO HALF MALE SHIELD		
27.	123.340.256.11	CO HALF FEMALE SHFT W/GUARDING		
28.	123.440.704.11	CO HALF MALE SHAFT W/GUARDING		
29.	190.000.098	COMER DANGER LABEL OUTER TUBE		
30.	190.000.099	COMER DANGER LABEL GUARD OUTER		
31.	165.000.628	COMER COLLOR KIT 1-3/8 YOKE		

Gear Box (826-653C)

Applies to SB1051 S/N 881640-, SB1064 S/N 881640-



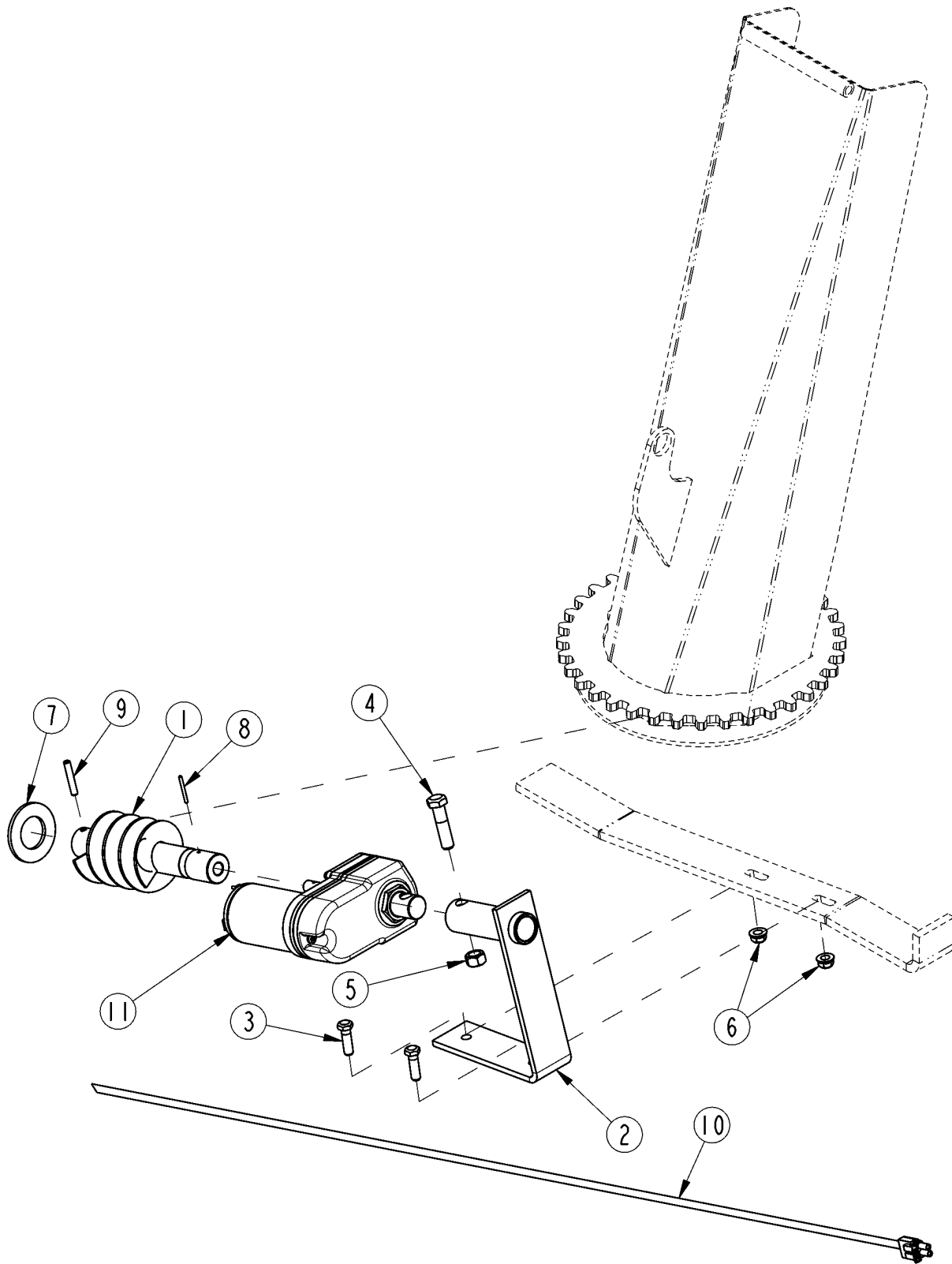
33120

Gear Box (826-653C)**Applies to SB1051 S/N 881640-, SB1064 S/N 881640-**

Ref	Part No.	Part Description	Comments	Revision
	dwg33120	Drawing Image Number		
	826-653C	GBOX 1:1 CCW *		
1.	0.281.4212.00	OUTPUT SHAFT 1 3/8"Z6-1 3/8"		
2.	060127	OMNI SEAL-INPUT CR13930		
3.	822-166C	BRG BALL 1.37IDX2.83OD 6207		
4.	A.259.500	CO ADJUST SPACER KIT, 35.3 X48		
5.	0.259.5020.00	GEAR CROWN Z18 M5		
6.	8.4.1.00232	CO PARALLEL KEY A 10X8X25		
7.	0.281.2212.00	INPUT SHAFT ASA D.P. 16/32 Z19		
8.	0.281.7100.00	COMER 3/8" GAS DOUBLE START		
9.	8.7.6.00636	COMER O-RING 3068		
10.	8.2.1.00382	COMER HEX NUT M8 UNI		
11.	8.5.1.00005	CO SNAP RING EXT 35 UN17435		
12.	8.1.2.01174	COMER M8X55 HEX SOCKET (8.8)		
13.	1.281.0300.00	HALF CASING		

Chute Adjustment Electric S/N 759835-

Applies to SB1051 S/N 881640-, SB1064 S/N 881640-



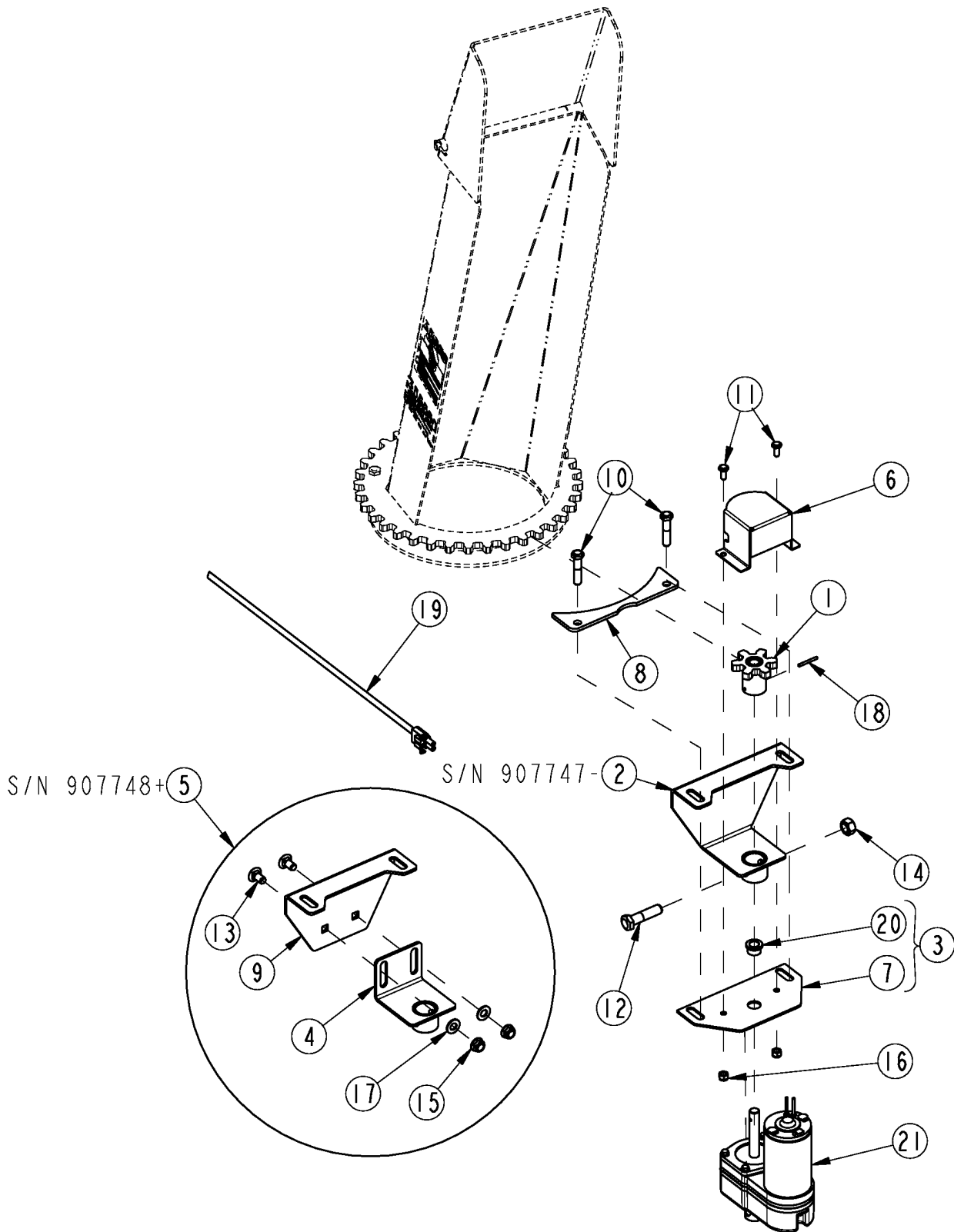
33067

Chute Adjustment Electric S/N 759835-**Applies to SB1051 S/N 881640-, SB1064 S/N 881640-**

Ref	Part No.	Part Description	Comments	Revision
	dwg33067	Drawing Image Number		
	370-028A	CHUTE ADJ ELECTRIC		
		*		
1.	370-078H	ROTATOR SHAFT WELD ELEC.		
2.	370-123H	ELECTRIC MOTOR MNT 10 SERIES		
3.	802-079C	HHCS 3/8-16X1 1/4 GR5		
4.	802-128C	HHCS 1/2-13X2 GR5		
5.	803-019C	NUT LOCK 1/2-13 PLT		
6.	803-209C	NUT FLANGE LOCK 3/8-16 PLT		
7.	804-039C	WASHER FLAT 1 1/4 SAE PLT		
8.	805-136C	PIN ROLL 1/8 X 1 1/4 LG. PLT		
9.	805-180C	PIN ROLL 1/4 X 1 1/2 LG PLT		
10.	823-379C	HARNESS ELEC. EXT. LDR		
11.	833-543C	ROTATOR ELEC.		

Chute Adjustment Electric S/N 759836+

Applies to SB1051 S/N 881640-, SB1064 S/N 881640-



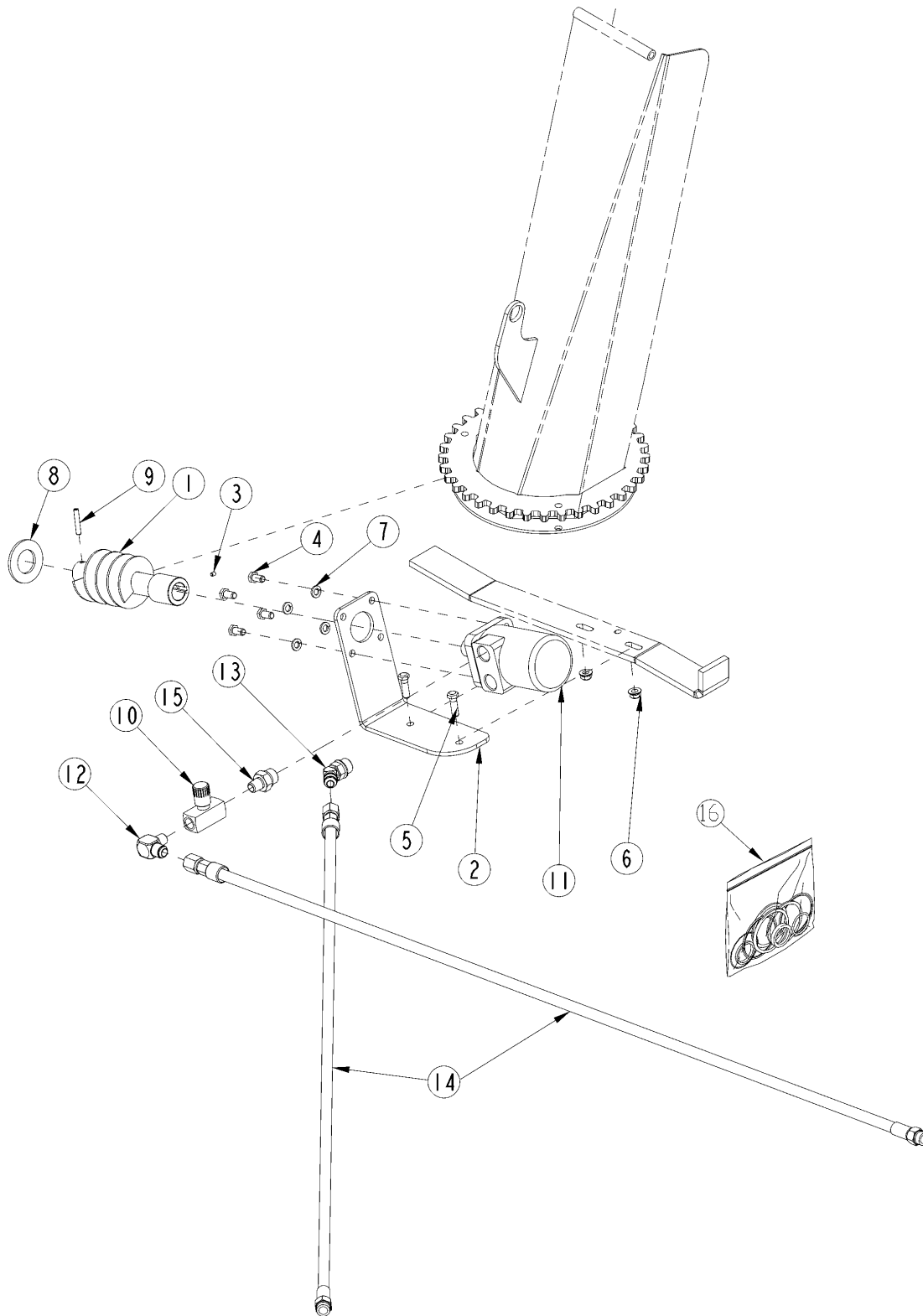
35444

Chute Adjustment Electric S/N 759836+**Applies to SB1051 S/N 881640-, SB1064 S/N 881640-**

Ref	Part No.	Part Description	Comments	Revision
	dwg35444	Drawing Image Number		
	370-344A	CHUTE ADJ BUNDLE ELECTRIC *		
1.	370-342H	GEAR ELECTRIC		
2.	370-343H	RPBY 370-415K	S/N 907747-	
3.	370-379K	SHAFT STABILIZER		
4.	370-414H	ELECTRIC MOTOR MOUNT LOWER		
5.	370-415K	ELECTRONIC MOUNT BRKT	S/N 907748+	
6.	370-534D	GEAR GUARD		
7.	370-616D	BEARING MOUNT ELECTRIC		
8.	370-618D	BEARING STRAP		
9.	370-727D	ELECTRONIC MOTOR MOUNT UPPER		
10.	802-023C	HHCS 3/8-16X1 3/4 GR5		
11.	802-078C	HHCS 1/4-20X5/8 GR5		
12.	802-128C	HHCS 1/2-13X2 GR5		
13.	802-149C	RHSNB 3/8-16X3/4 GR5		
14.	803-019C	NUT LOCK 1/2-13 PLT		
15.	803-209C	NUT FLANGE LOCK 3/8-16 PLT		
16.	803-255C	NUT HEX NYLOCK 1/4-20		
17.	804-012C	WASHER FLAT 3/8 SAE PLT		
18.	805-136C	PIN ROLL 1/8 X 1 1/4 LG. PLT		
19.	823-379C	HARNESS ELEC. ROTATION		
20.	827-115C	BUSH .50IDX.81ODX.50 HD OILITE		
21.	833-543C	ROTATOR ELEC.		

Chute Adjustment Hydraulic S/N 721286-

Applies to SB1051 S/N 881640-, SB1064 S/N 881640-



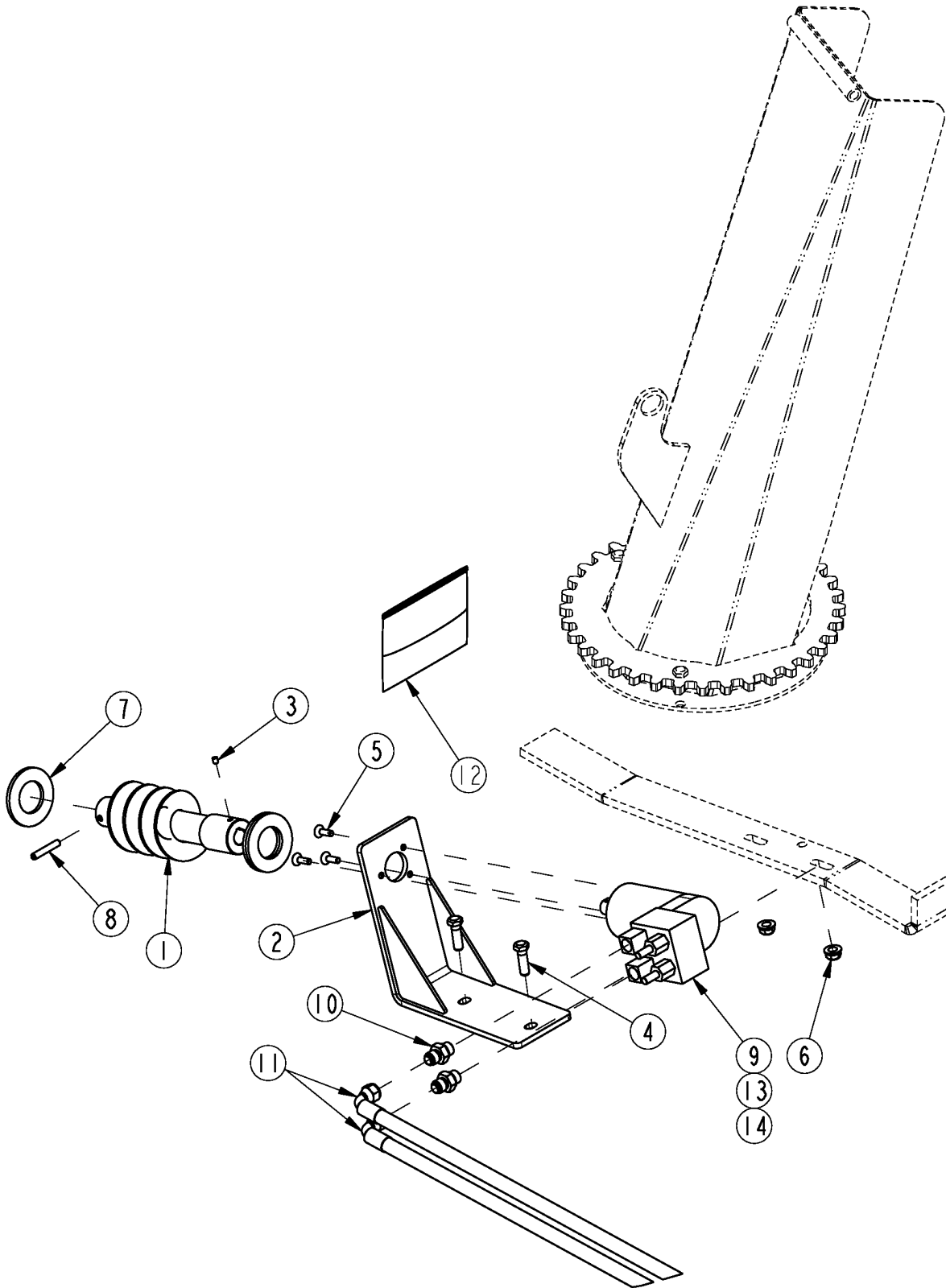
33066

Chute Adjustment Hydraulic S/N 721286-**Applies to SB1051 S/N 881640-, SB1064 S/N 881640-**

Ref	Part No.	Part Description	Comments	Revision
	dwg33066 370-024A	Drawing Image Number CHUTE ADJ HYD *		
1.	370-076H	ROTATOR SHAFT WELD		
2.	370-183D	HYD. MOTOR MOUNT		
3.	801-019C	SCREW SET SH 1/4-20 X 1/4 LG.		
4.	802-014C	HHCS 3/8-16X3/4 GR5		
5.	802-079C	HHCS 3/8-16X1 1/4 GR5		
6.	803-209C	NUT FLANGE LOCK 3/8-16 PLT		
7.	804-013C	WASHER LOCK SPRING 3/8 PLT		
8.	804-039C	WASHER FLAT 1 1/4 SAE PLT		
9.	805-180C	PIN ROLL 1/4 X 1 1/2 LG PLT		
10.	810-058C	VALVE 3/8 NEEDLE		
11.	810-267C	HYD MOTOR 7/8 ORBF		
12.	811-778C	EL 45 7/8MORB 3/4MJIC	S/N 714476+	
12.	811-081C	EL 7/8MORB 3/4MJIC	S/N 714475-	
13.	811-388C	EL 3/8MNPT 3/4MJIC		
14.	841-531C	HH3/8R2 55.5 3/4MORB 3/4FJIC		
15.	841-532C	AD 7/8MORB 3/8NPT		
16.	810-364C	SEAL KIT FOR EATON 810-267C		

Chute Adjustment Hydraulic S/N 721287 to S/N 759835

Applies to SB1051 S/N 881640-, SB1064 S/N 881640-



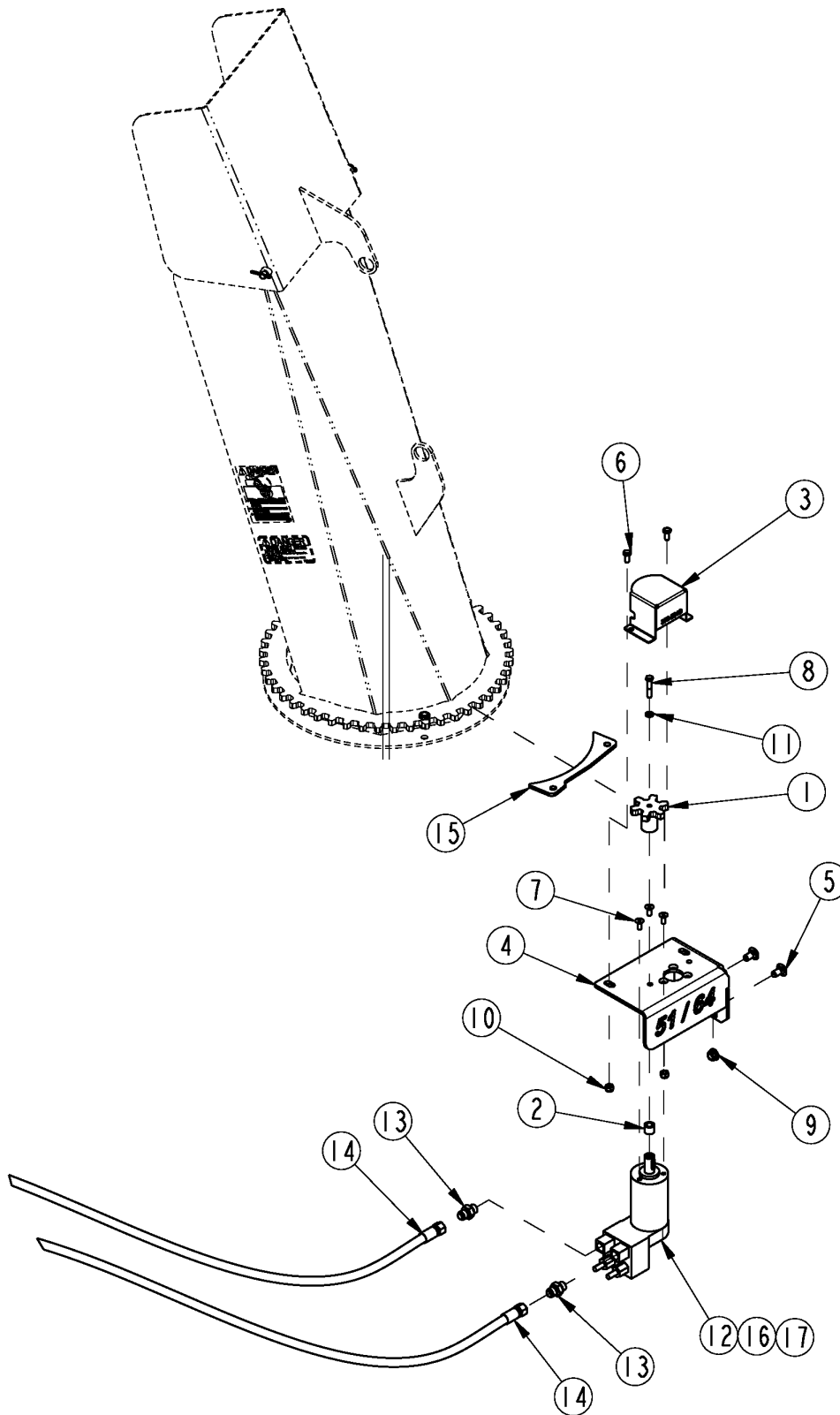
33406

Chute Adjustment Hydraulic S/N 721287 to S/N 759835**Applies to SB1051 S/N 881640-, SB1064 S/N 881640-**

Ref	Part No.	Part Description	Comments	Revision
	dwg33406	Drawing Image Number		
	370-077A	CHUTE ADJ BUNDLE HYD *		
1.	370-150H	ROTATOR SHAFT WELD		
2.	370-151H	HYD MOTOR MNT		
3.	801-019C	SCREW SET SH 1/4-20 X 1/4 LG.		
4.	802-079C	HHCS 3/8-16X1 1/4 GR5		
5.	802-939C	HSFCHCS M6X1X20 GR10.9		
6.	803-209C	NUT FLANGE LOCK 3/8-16 PLT		
7.	804-039C	WASHER FLAT 1 1/4 SAE PLT		
8.	805-180C	PIN ROLL 1/4 X 1 1/2 LG PLT		
9.	810-751C	HYD MOTOR W/CROSS RELIEF		
10.	811-170C	AD 9/16MORB 9/16MJIC		
11.	841-594C	HH3/8R2 60 3/4MORB 9/16FJIC 90		
12.	810-808C	SEAL KIT, HYDRO GEAR 810-751C		
13.	ZHSK-EBMM	SEAL KIT FOR EBMM MOTORS		
14.	SK-SCR0622000A	SEAL KIT FOR CUSHION JCK06-22-00		

Chute Adjustment Hydraulic S/N 759836+

Applies to SB1051 S/N 881640-, SB1064 S/N 881640-



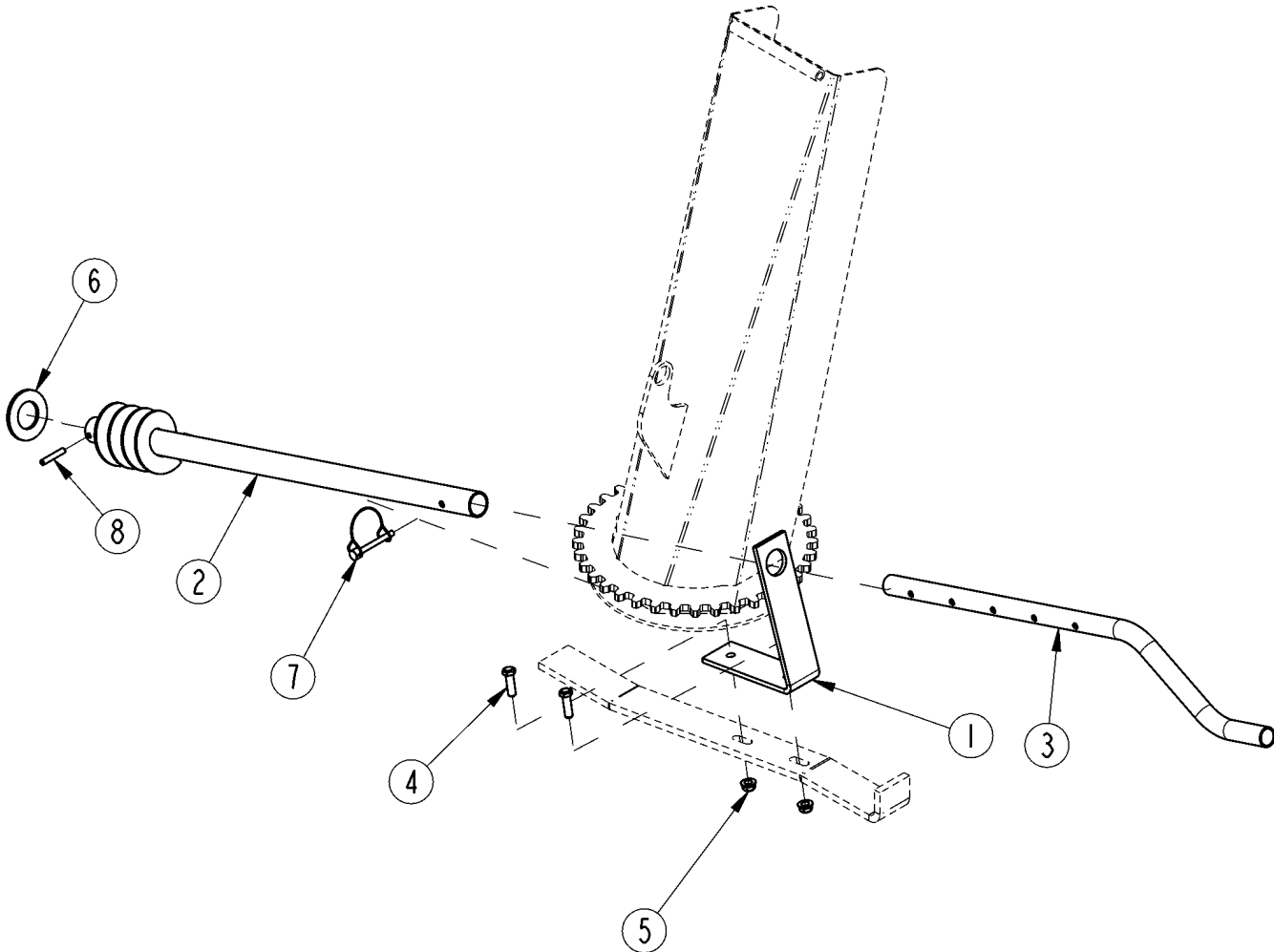
35441

Chute Adjustment Hydraulic S/N 759836+**Applies to SB1051 S/N 881640-, SB1064 S/N 881640-**

Ref	Part No.	Part Description	Comments	Revision
	dwg35441	Drawing Image Number		
	370-341A	CHUTE ADJ BUNDLE HYD *		
1.	370-294H	DRIVE GEAR ROTATION		
2.	370-533D	GEAR SPACER		
3.	370-534D	GEAR GUARD		
4.	370-685D	CHUTE ADJ MOUNT HYD	S/N 826216+	
4.	370-610D	RPBY 370-685D	S/N 826215-	
5.	802-149C	RHSNB 3/8-16X3/4 GR5	S/N 826216+	
5.	802-014C	HHCS 3/8-16X3/4 GR5	S/N 826215-	
6.	802-078C	HHCS 1/4-20X5/8 GR5		
7.	802-939C	HSFCHCS M6X1X16 GR10.9		
8.	802-952C	HHCS M6X1X35 GR8.8		
9.	803-209C	NUT FLANGE LOCK 3/8-16 PLT		
10.	803-255C	NUT HEX NYLOCK 1/4-20		
11.	804-006C	WASHER LOCK SPRING 1/4 PLT		
12.	810-751C	HYD MOTOR W/CROSS RELIEF		
13.	811-170C	AD 9/16MORB 9/16MJIC		
14.	841-773C	HH3/8R2 81.84 .56FJIC.75MORB		
15.	370-614D	BEARING STRAP		
16.	ZHSK-EBMM	SEAL KIT FOR EBMM MOTORS		
17.	SK-SCR0622000A	SEAL KIT FOR CUSHION JCK06-22-00		

Chute Adjustment Manual

Applies to SB1064 S/N 881640-



33065

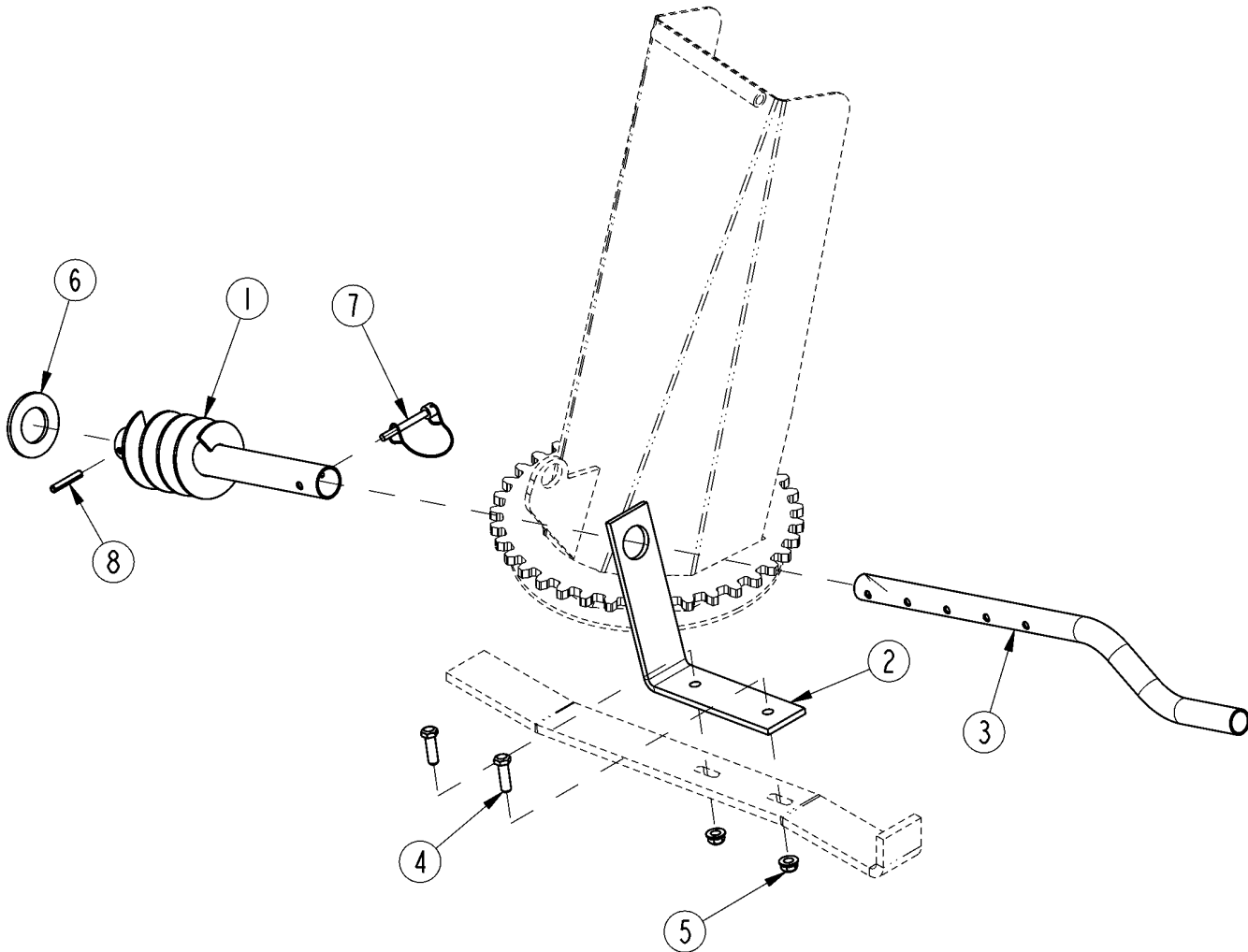
Chute Adjustment Manual

Applies to SB1064 S/N 881640-

Ref	Part No.	Part Description	Comments	Revision
	dwg33065	Drawing Image Number		
	370-099A	CHUTE ADJ BUNDLE MAN RET *		
1.	370-068D	CHUTE ADJ MOUNT		
2.	370-100H	CHUTE ADJ WORM WELD		
3.	370-208D	ROTATION HANDLE		
4.	802-079C	HHCS 3/8-16X1 1/4 GR5		
5.	803-209C	NUT FLANGE LOCK 3/8-16 PLT		
6.	804-039C	WASHER FLAT 1 1/4 SAE PLT		
7.	805-065C	PIN WIRE RETAINING 1/4 X 1 3/4		
8.	805-180C	PIN ROLL 1/4 X 1 1/2 LG PLT		

Chute Adjustment Manual SB1051

Applies to SB1051 S/N 881640-



33080

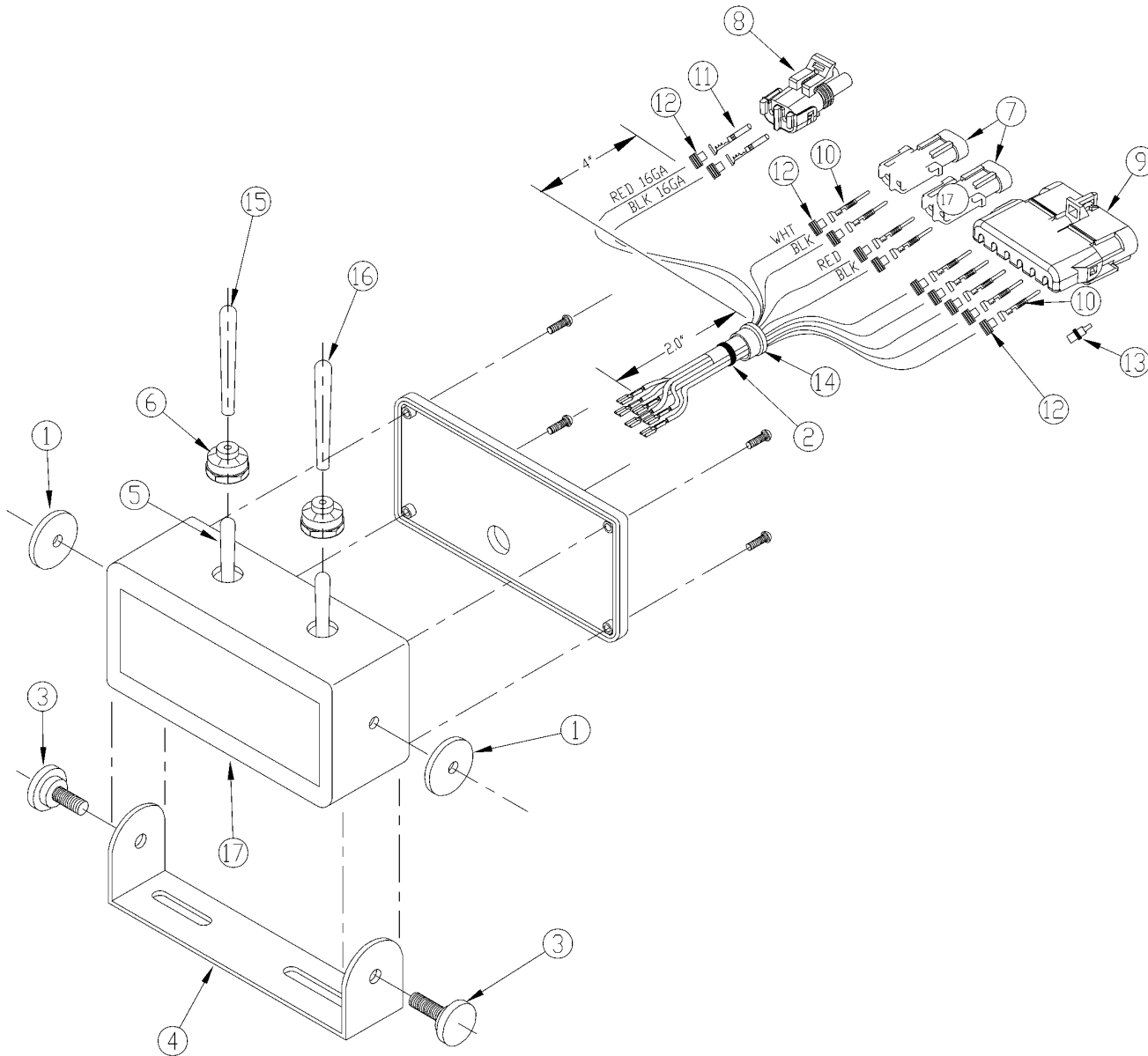
Chute Adjustment Manual SB1051

Applies to SB1051 S/N 881640-

Ref	Part No.	Part Description	Comments	Revision
	dwg33080	Drawing Image Number		
	370-122A	CHUTE ROTATION MAN RET *		
1.	370-121H	ROTATION WELD 1051		
2.	370-224D	ROTATION MOUNT 1051		
3.	370-226D	ROTATION HANDLE 1051		
4.	802-079C	HHCS 3/8-16X1 1/4 GR5		
5.	803-209C	NUT FLANGE LOCK 3/8-16 PLT		
6.	804-039C	WASHER FLAT 1 1/4 SAE PLT		
7.	805-065C	PIN WIRE RETAINING 1/4 X 1 3/4		
8.	805-180C	PIN ROLL 1/4 X 1 1/2 LG PLT		

Control Box (823-377C)

Applies to SB1051 S/N 881640-, SB1064 S/N 881640-



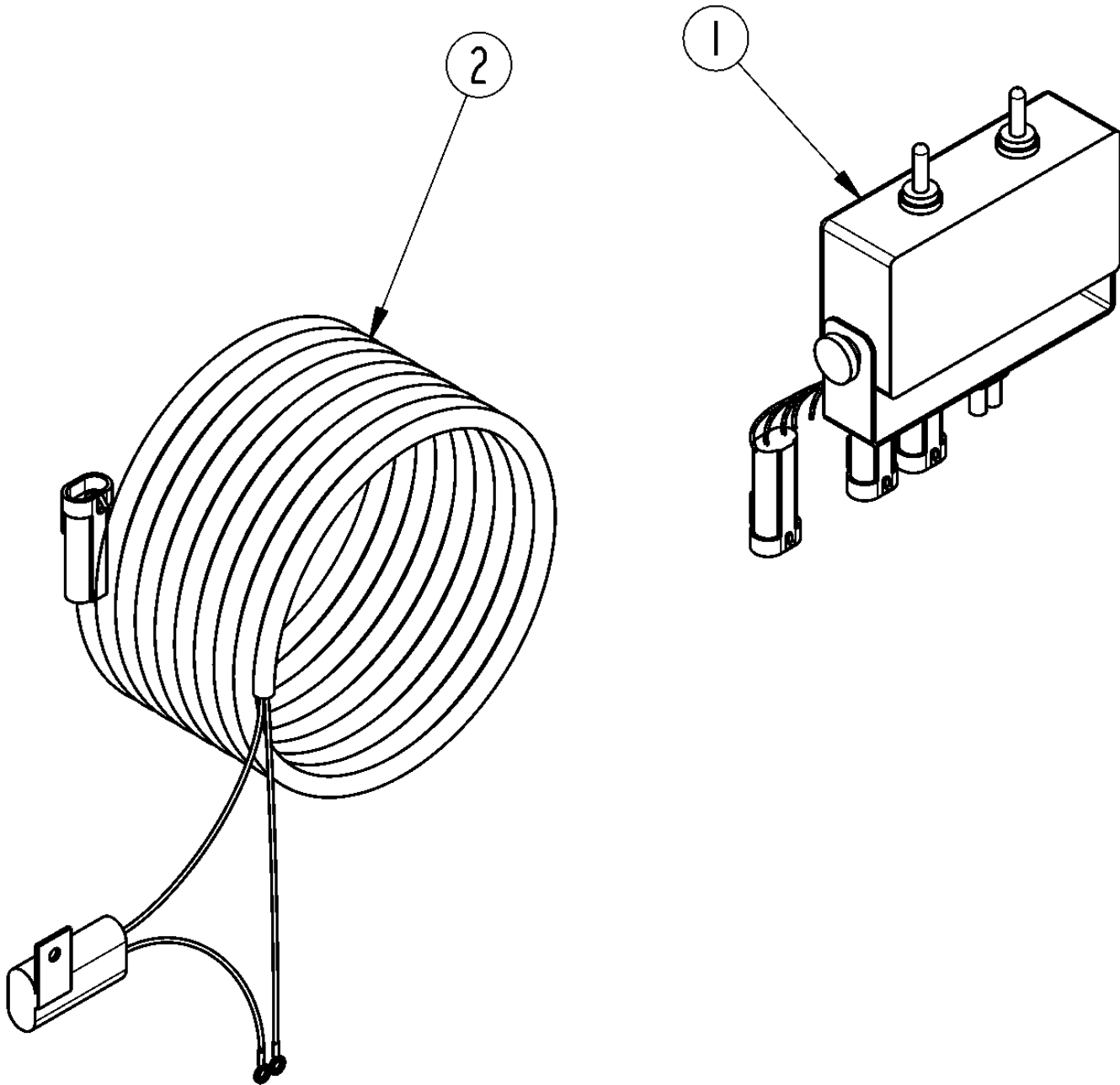
33091

Control Box (823-377C)**Applies to SB1051 S/N 881640-, SB1064 S/N 881640-**

Ref	Part No.	Part Description	Comments	Revision
	dwg33091 823-377C	Drawing Image Number CONTROL BOX SNOW BLOWER *		
1.	213-005	FASSE WSHR RBR1ODX1/4IDX1/16TK		
2.	800-303C	CABLE TIE 2 DIA MIN - BLK		
3.	219-007	FASSE SCR THUMB BLK 1/4-20X1/2		
4.	219-009	FASSE BRKT ALM 4.70 #1591C		
5.	250-007	FASSE SW TOG DPDT 3P MOM SHORT		
6.	250-023	FASSE SW TOG BOOT OPN BLK		
7.	255-092	FASSE CNTR WP 2 PIN SHROUD		
8.	255-093	WEATHERPACK CTR 2 PIN SHROUD		
9.	255-098	CNTR WP 6 PIN SHROUD		
10.	255-102	WEATHERPACK CTR MALE TRM 14/16		
11.	255-103	WEATHERPACK CNTR F TRM 14/16		
12.	255-104	WEATHERPACK CNTR CABLE SEAL GR		
13.	255-186	CNTR WP CAVITY PLUG		
14.	259-001	FASSE GROMMET .5000D SNAP		
15.	259-004	FASSE SW TOG GRP VNYL WHT .187		
16.	259-005	FASSE SW TOG GRP VNYL RED .187		
17.	304-345	ECL 1591CBK/6060A-2X1/2SWSXTSX		

Electric Switch Box Harness

Applies to SB1051 S/N 881640-, SB1064 S/N 881640-



33090

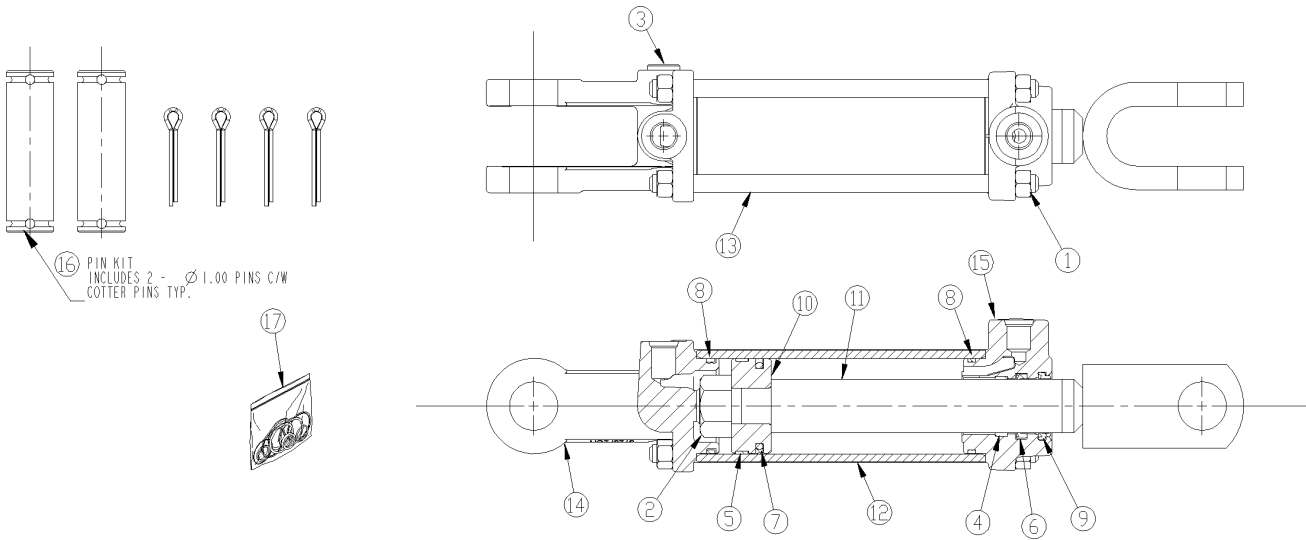
Electric Switch Box Harness

Applies to SB1051 S/N 881640-, SB1064 S/N 881640-

Ref	Part No.	Part Description	Comments	Revision
	dwg33090	Drawing Image Number		
	370-118A	HARNESS SNOW BLOWER ELECTRIC *		
1.	823-377C	CONTROL BOX SNOW BLOWER		
2.	823-386C	HARNESS, POWER		

Hydraulic Cylinder Double Acting (810-125C) Lion

Applies to SB1051 S/N 881640-, SB1064 S/N 881640-

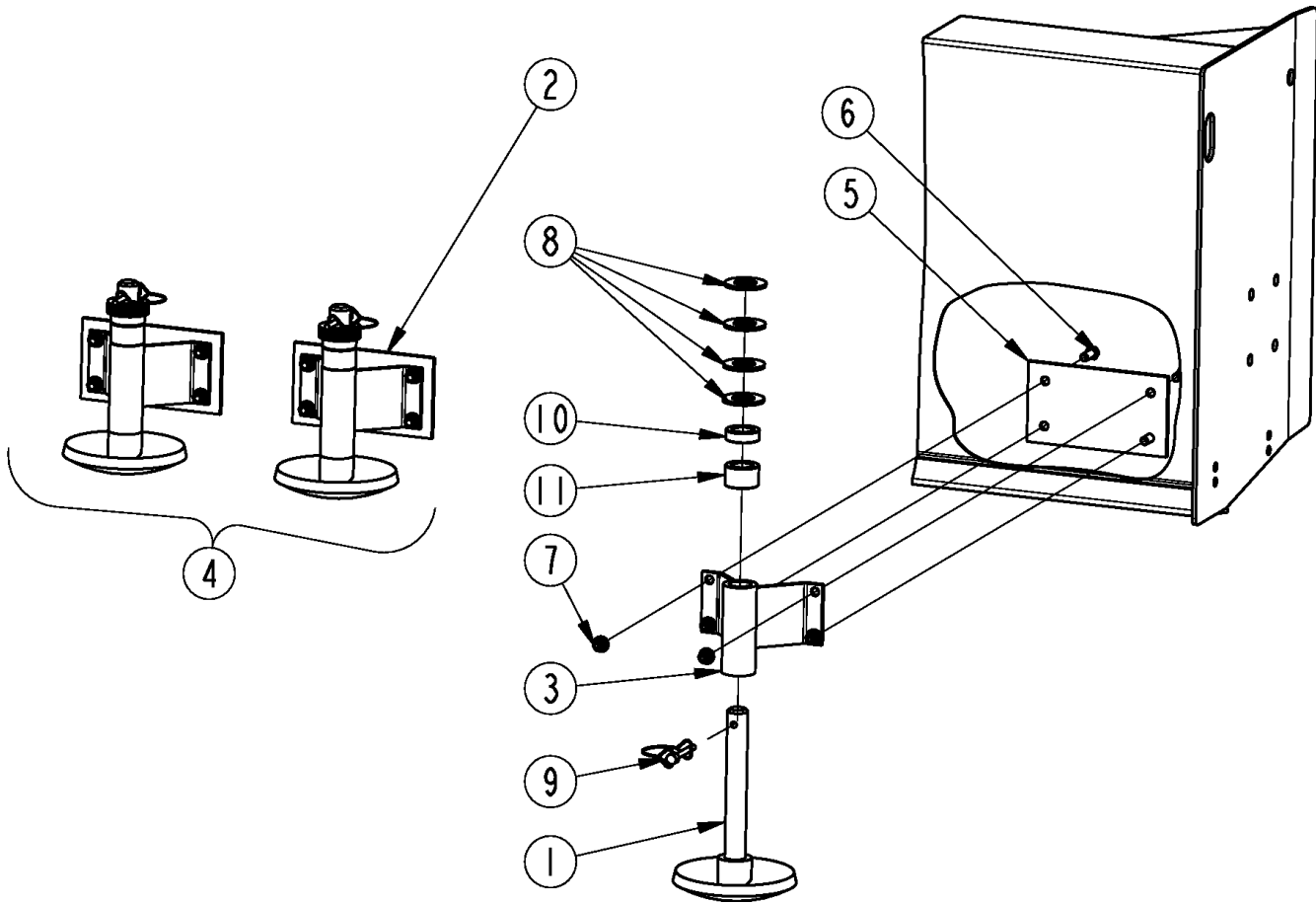


Hydraulic Cylinder Double Acting (810-125C) Lion**Applies to SB1051 S/N 881640-, SB1064 S/N 881640-**

Ref	Part No.	Part Description	Comments	Revision
	dwg13565	Drawing Image Number		
	810-125C	CYL 2X4X1.12 ROD DBL ACTING *		
1.	803-014C	NUT HEX 3/8-16 PLT		
2.	130556	MON PISTON NUT		
3.	186561	PLUG 9/16-18UNF MORB SOCKET HD		
4.	N/A	MON WEAR RING 1.25-1.13-0.250	In Seal Kit Item #17	
5.	N/A	MON WEAR RING 2.00-1.88-0.260	In Seal Kit Item #17	
6.	N/A	MON SEAL ZURCON U-CUP RU9 1.13	In Seal Kit Item #17	
7.	N/A	MON SEAL ZURCON WYNSEAL 2.00	In Seal Kit Item #17	
8.	N/A	MON SEAL DUAL 2.00-.170	In Seal Kit Item #17	
9.	N/A	MON SEAL WIPER 1.13 WNUC TSS	In Seal Kit Item #17	
10.	258851	MON PISTON 2.00-.75-TSS-ISO-WR		
11.	437208	LION ROD WLDMT 1 1/8X4 STROKE		
12.	491604	LION CYL. TUBE 2 X 4		
13.	492214	MON TIE ROD 3/8-04		
14.	492669	MON CLEVS CAP 2.00-9/16ORB-1.0		
15.	494382	MON ROD CAP 2.0-1.12-9/16ORB-TS		
16.	235005	MON PIN KIT 1.00C/W COTTER PIN		
17.	810-883C	MON SEAL KIT 620271		

Inner Skid Shoes

Applies to SB1051 S/N 881640-, SB1064 S/N 881640-



33073

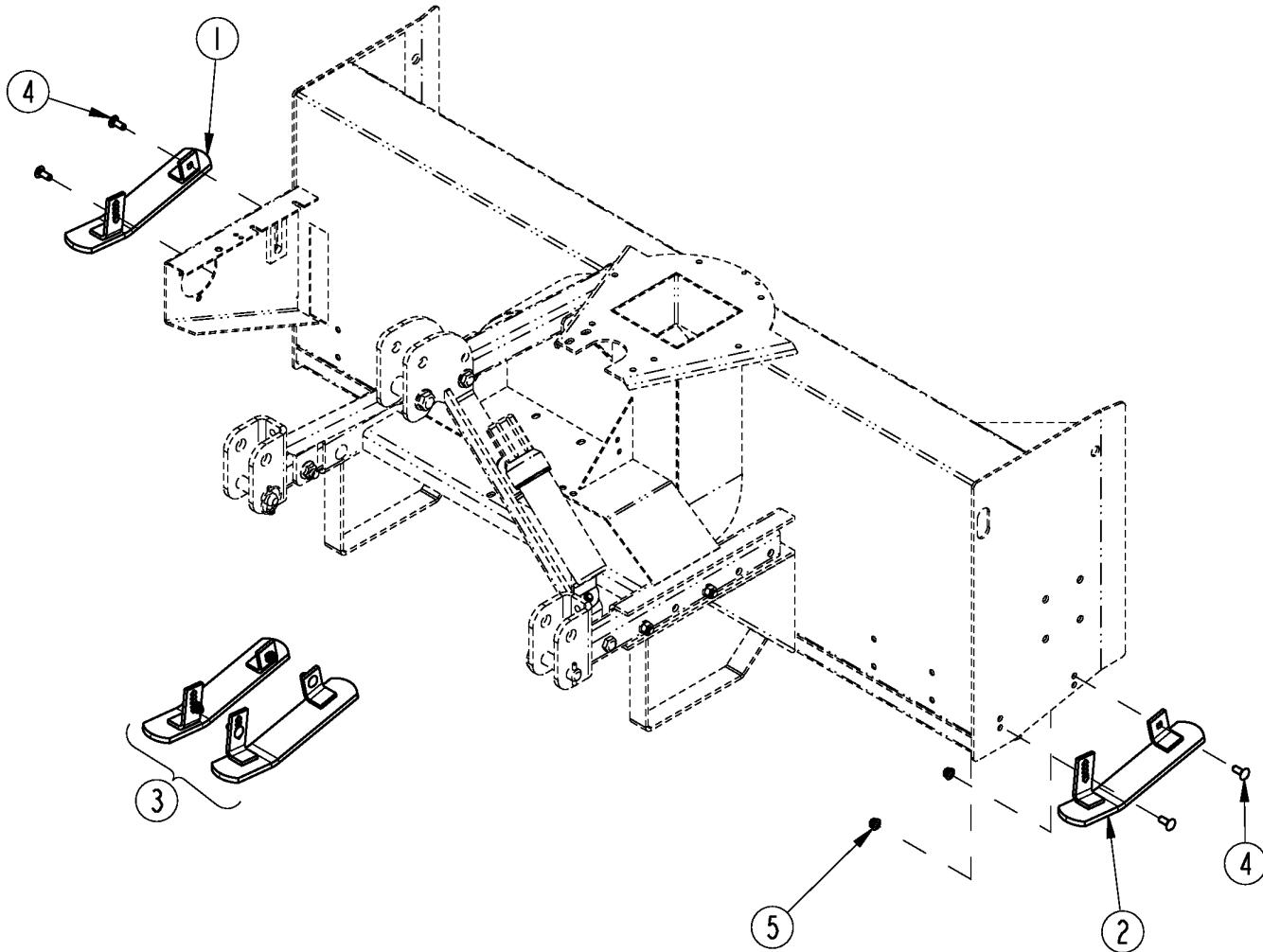
Inner Skid Shoes

Applies to SB1051 S/N 881640-, SB1064 S/N 881640-

Ref	Part No.	Part Description	Comments	Revision
	dwg33073	Drawing Image Number		
1.	301-293H	WELDMENT, TB SKID SHOE		
2.	370-103K	SKID SHOE ASSEMBLY		
3.	370-104H	SKID SHOE MOUNT		
4.	370-105A	SKID SHOE BUNDLE		
5.	370-210D	SKID SHOE MOUNT INBOARD		
6.	802-017C	HHCS 3/8-16X1 GR5		
7.	803-209C	NUT FLANGE LOCK 3/8-16 PLT		
8.	804-029C	WASHER FLAT 1 SAE		
9.	805-065C	PIN WIRE RETAINING 1/4 X 1 3/4		
10.	827-001C	SPACER 1/2		
11.	827-002C	SPACER 1		

Outer Skid Shoes

Applies to SB1051 S/N 881640-, SB1064 S/N 881640-



33072

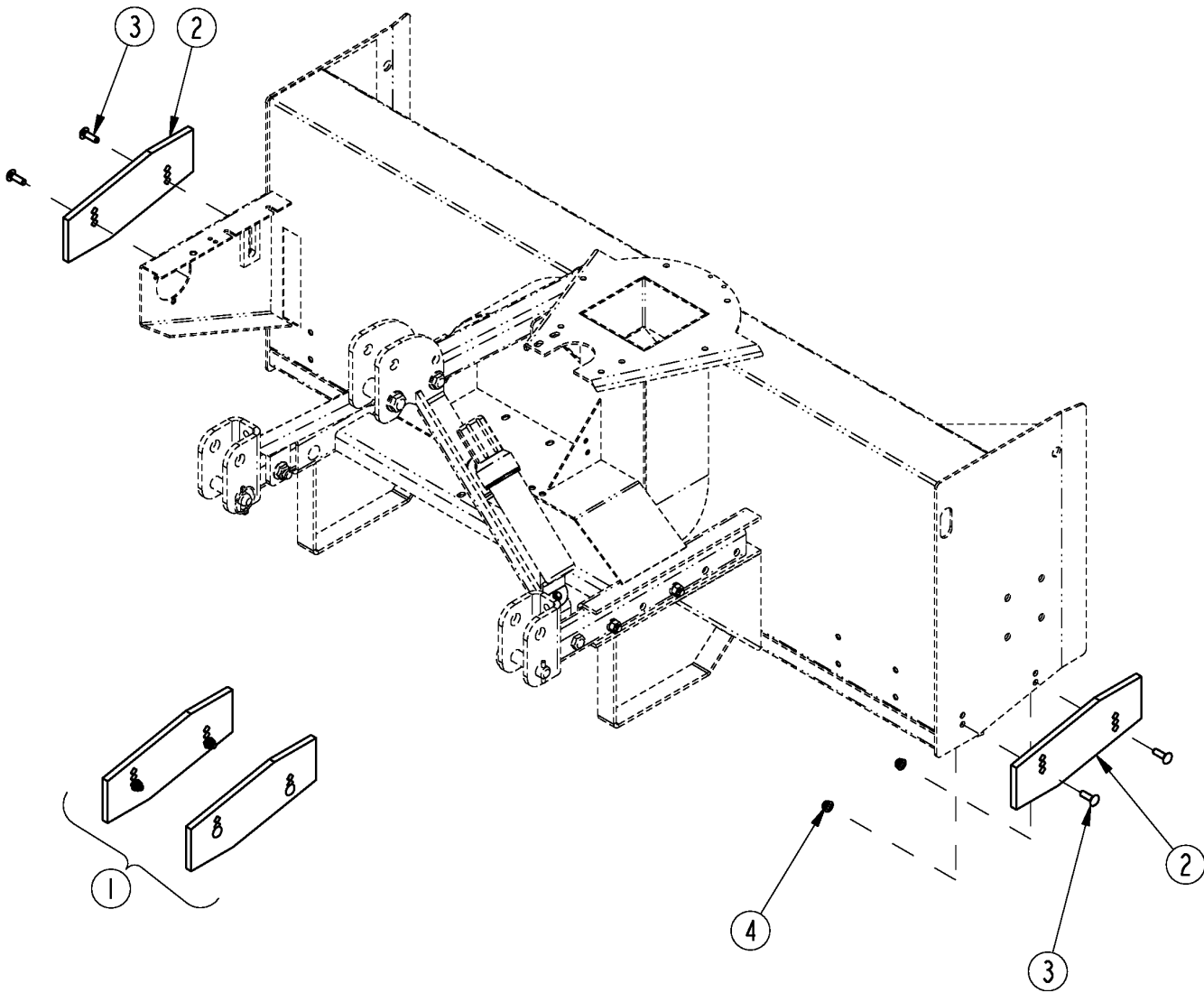
Outer Skid Shoes

Applies to SB1051 S/N 881640-, SB1064 S/N 881640-

Ref	Part No.	Part Description	Comments	Revision
	dwg33072	Drawing Image Number		
1.	370-113H	SKID SHOE OUTER LH		
2.	370-114H	SKID SHOE OUTER RH		
3.	370-115A	OUTER SKID SHOE BUNDLE		
4.	802-015C	RHSNB 3/8-16X1 GR5		
5.	803-209C	NUT FLANGE LOCK 3/8-16		

Side Adjustment Plates

Applies to SB1051 S/N 881640-, SB1064 S/N 881640-



33071

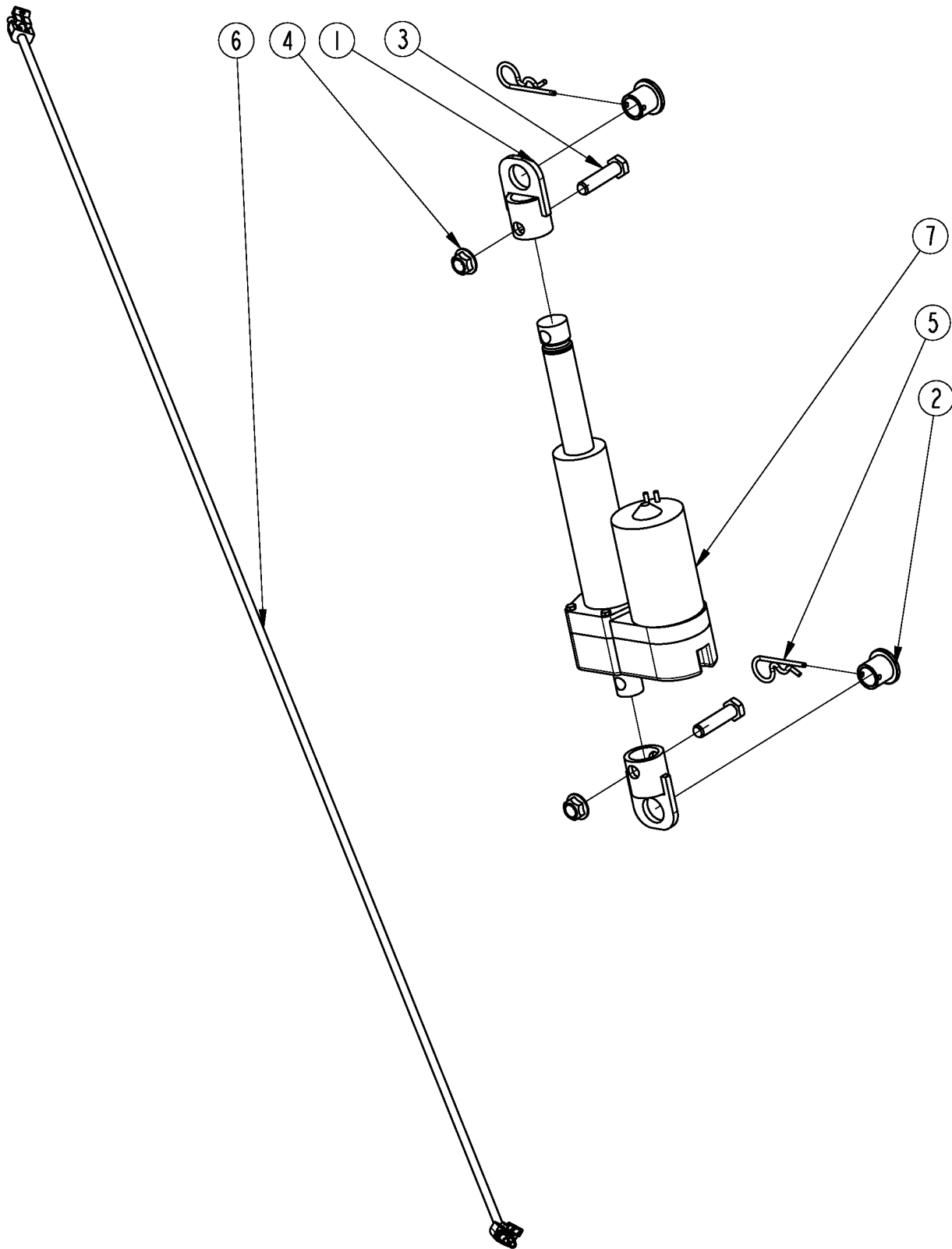
Side Adjustment Plates

Applies to SB1051 S/N 881640-, SB1064 S/N 881640-

Ref	Part No.	Part Description	Comments	Revision
	dwg33071	Drawing Image Number		
1.	370-106A	SIDE PLATE ADJ BUNDLE		
2.	370-212D	SIDE PLATE ADJUSTABLE		
3.	802-155C	RHSNB 3/8-16X1 1/4 GR5		
4.	803-209C	NUT FLANGE LOCK 3/8-16 PLT		

Tilt Adjustment Electric

Applies to SB1051 S/N 881640-, SB1064 S/N 881640-



33070

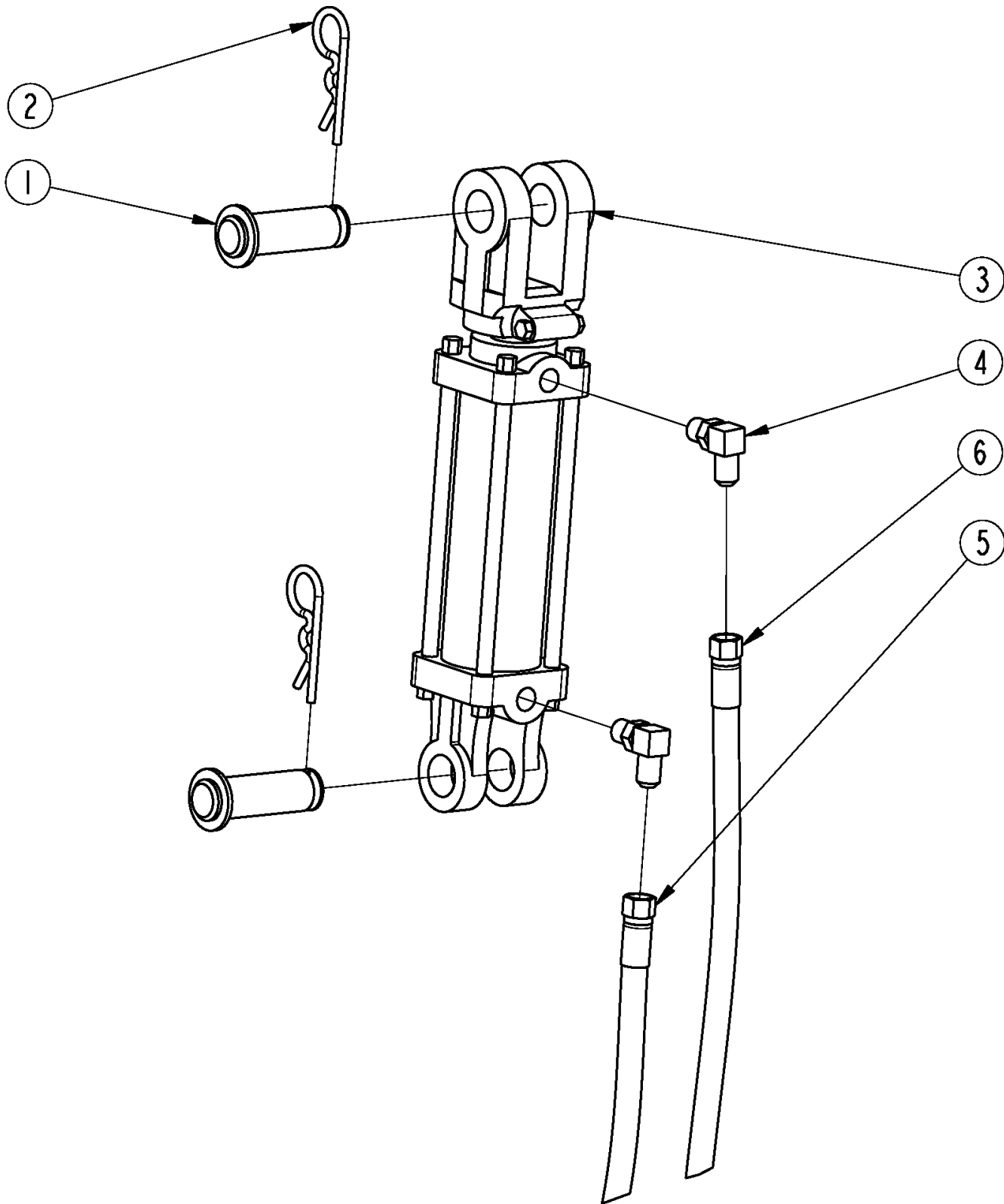
Tilt Adjustment Electric

Applies to SB1051 S/N 881640-, SB1064 S/N 881640-

Ref	Part No.	Part Description	Comments	Revision
	dwg33070	Drawing Image Number		
	370-029A	TILT ADJ ELECTRIC		
	*			
1.	370-069H	ACTUATOR ROD END WELD		
2.	370-243D	TILT PIN		
3.	802-128C	HHCS 1/2-13X2 GR5		
4.	803-169C	NUT HEX FLG LOCK 1/2-13 PLT		
5.	805-032C	PIN HAIR COTTER .148 WIRE		
6.	823-378C	HARNESS ELEC. TILT		
7.	833-557C	ACCUATOR, TILT SNOW BLOWER		

Tilt Adjustment Hydraulic

Applies to SB1051 S/N 881640-, SB1064 S/N 881640-



33069

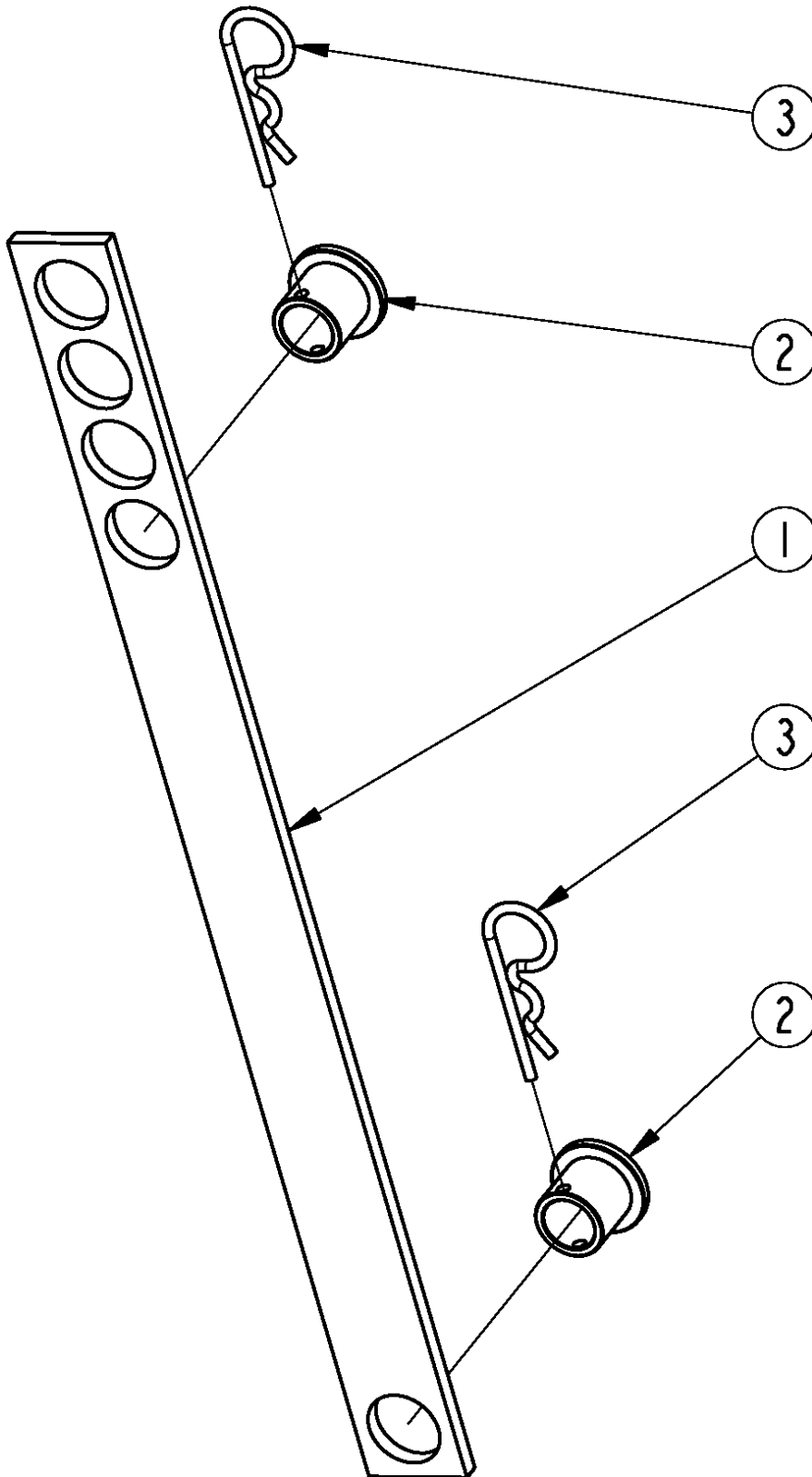
Tilt Adjustment Hydraulic

Applies to SB1051 S/N 881640-, SB1064 S/N 881640-

Ref	Part No.	Part Description	Comments	Revision
	dwg33069 370-023A	Drawing Image Number TILT ADJ HYDRAULIC *		
1.	805-004C	PIN CLEVIS 1 X 2 3/4 USABLE LG		
2.	805-088C	PIN, HAIR COTTER 3/16 WIRE DIA		
3.	810-125C	CYL 2X4X1.12 ROD DBL ACTING		
4.	811-062C	OREL 1/32 9/16MJIC 9/16MORB		
5.	841-533C	HH3/8R2 76.43 3/4MORB 9/16FJIC		
6.	841-534C	HH3/8R2 83.84 3/4MORB 9/16FJIC		

Tilt Adjustment Manual

Applies to SB1051 S/N 881640-, SB1064 S/N 881640-



33068

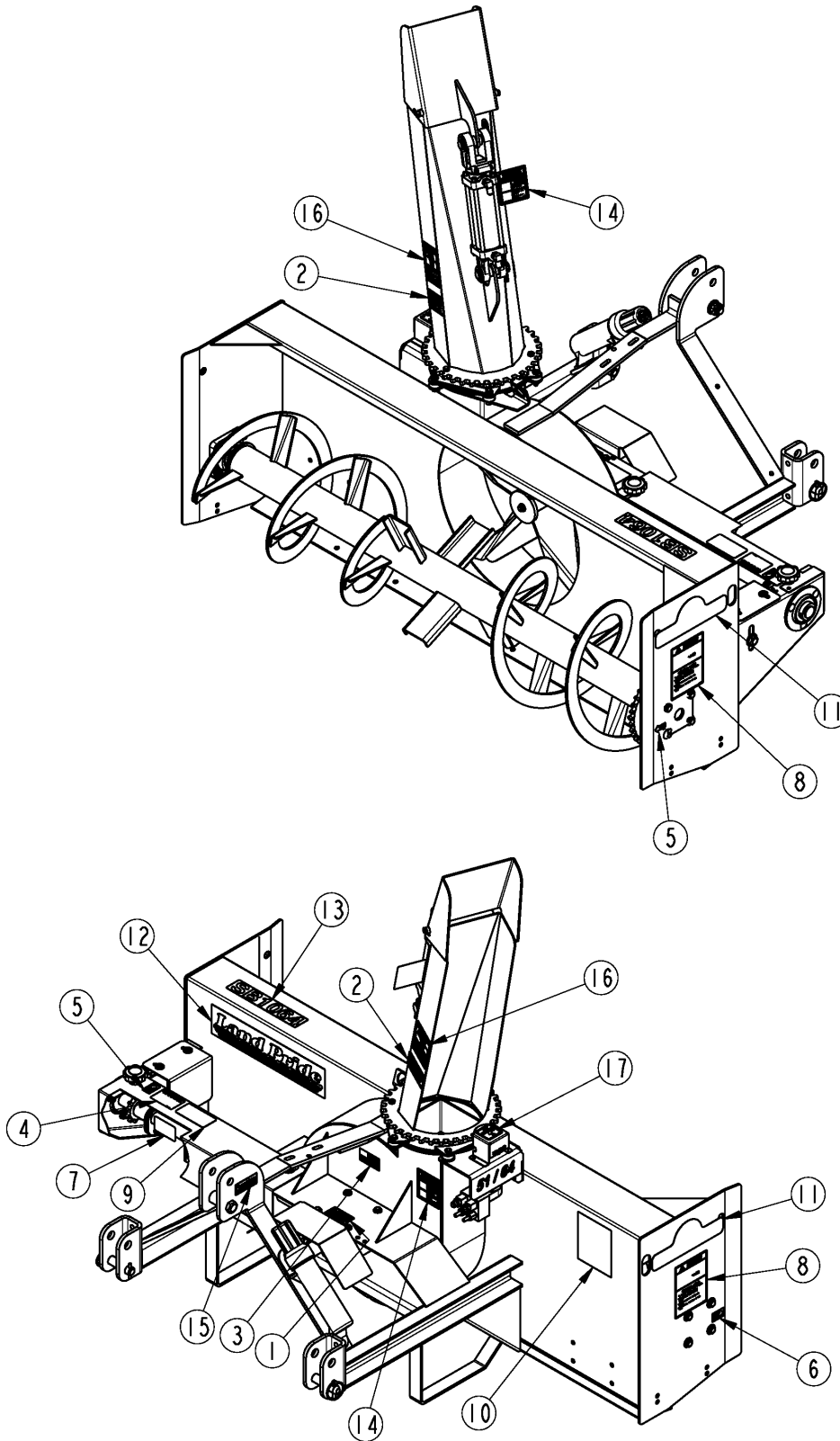
Tilt Adjustment Manual

Applies to SB1051 S/N 881640-, SB1064 S/N 881640-

Ref	Part No.	Part Description	Comments	Revision
	dwg33068	Drawing Image Number		
	370-030A	TILT ADJ MANUAL		
		*		
1.	370-055D	TILT ADJ MANUAL		
2.	370-243D	TILT PIN		
3.	805-032C	PIN HAIR COTTER .148 WIRE		

Label Placement

Applies to SB1051 S/N 881640-, SB1064 S/N 881640-



33075

Label Placement**Applies to SB1051 S/N 881640-, SB1064 S/N 881640-**

Ref	Part No.	Part Description	Comments	Revision
	dwg33075	Drawing Image Number		
1.	818-130C	DECAL CAUTION 540 RPM		
2.	818-132C	DECAL DANGER THROWN OBJECT HAZ		
3.	818-190C	DECAL FLAG		
4.	818-205C	DECAL WARNING MOVING PARTS HAZ		
5.	818-349C	DECAL GREASE 10 HRS LH		
6.	818-402C	DECAL GREASE 10 HRS RH		
7.	818-522C	DECAL MOVING PARTS DANGER		
8.	818-634C	DECAL DANGER AD ROTATING AUGER		
9.	818-798C	DECAL WARNING PINCH POINT GEN		
10.	818-858C	DECAL CAUTION GENERAL SAFTEY		
11.	818-892C	DECAL LP W/TREE 10" - 3 COLOR	Biege Unit	
11.	838-963C	DECAL LP 10" W/TREE BROWN/GOLD	Orange Unit	
12.	818-901C	DECAL LANDPRIDE 16" - BROWN	Biege Unit	
12.	838-965C	DECAL LANDPRIDE 16" BROWN/GOLD	Orange Unit	
13.	848-585C	DECAL SB1051 BROWN	Biege Unit	
13.	848-586C	DECAL SB1051 GOLD	Orange Unit	
13.	848-720C	DECAL SB1064 BROWN	Biege Unit	
13.	848-721C	DECAL SB1064 GOLD	Orange Unit	
14.	848-747C	DECAL HIGH PRESSURE FLUIDS		
15.	838-517C	DECAL QUICK HITCH SYSTEM		
16.	848-840C	DECAL DANGER ROTATING IMPELLER		
17.	858-148C	DECAL PIC--PINCH POINT		



Part Number Index

The Part Number Index is a numeric index of all part numbers included in this manual. The index shows what page(s) the part is used on.

Part Number	Page	Part Number	Page	Part Number	Page	Part Number	Page
*	13, 15, 17, 19, 21, 23, 25, 27, 29, 31, 33, 35, 43, 45, 47	370-065H82	9	800-080C	11	810-058C	21
0.259.5020.00	15	370-068D	27	800-303C	31	810-125C	35, 45
0.281.2212.00	15	370-069H	43	800-402C	11	810-267C	21
0.281.4212.00	15	370-071D	11	801-019C	21, 23	810-364C	21
0.281.7100.00	15	370-076H	21	801-027C	11	810-751C	23, 25
060127	15	370-077A	23	802-005C	11	810-808C	23
1.281.0300.00	15	370-078H	17	802-014C	9, 21, 25	810-883C	35
123.340.256.11	13	370-084H	9	802-015C	11, 39	811-062C	45
123.440.704.11	13	370-085H	9	802-017C	37	811-081C	21
130556	35	370-091H	9	802-022C	9	811-170C	23, 25
141.024.430.1	13	370-091H82	9	802-023C	19	811-388C	21
142.241.1687421	13	370-099A	27	802-029C	7	811-778C	21
142.241.2417421	13	370-100H	27	802-068C	9	816-504C	9
143.240.011.1	13	370-103K	37	802-078C	11, 19, 25	817-358C	11
151.014.006.1	13	370-104H	37	802-079C	7, 11, 17, 21, 23, 27, 29	817-870C	9
151.014.007.1	13	370-105A	37	802-091C	7	817-976C	9
152.140.2090710	13	370-106A	41	802-128C	17, 19, 43	818-130C	49
153.140.109	13	370-113H	39	802-149C	19, 25	818-132C	49
165.000.525	13	370-114H	39	802-153C	11	818-190C	49
165.000.571	13	370-115A	39	802-155C	41	818-205C	49
165.000.628	13	370-118A	33	802-159C	11	818-349C	49
180.014.130	13	370-119H	9	802-162C	11	818-402C	49
180.014.232	13	370-121H	29	802-224C	9	818-522C	49
180.014.233	13	370-122A	29	802-224C	9	818-634C	49
180.014.240	13	370-123H	17	802-318C	11	818-798C	49
180.016.636	13	370-147D	11	802-673C	7	818-858C	49
186561	35	370-150H	23	802-939C	23, 25	818-892C	49
190.000.012	13	370-151H	23	802-952C	25	818-901C	49
190.000.014	13	370-152D	11	803-008C	11	822-085C	7
190.000.020	13	370-168D	9	803-013C	9	822-166C	15
190.000.098	13	370-183D	21	803-014C	9, 35	822-218C	11
190.000.099	13	370-208D	27	803-019C	17, 19	822-243C	7
213-005	31	370-210D	37	803-021C	11	822-250C	11
219-007	31	370-212D	41	803-027C	9	822-253C	9
219-009	31	370-224D	29	803-088C	11	823-377C	31, 33
235005	35	370-226D	29	803-169C	7, 43	823-378C	43
250-007	31	370-229D	11	803-181C	9	823-379C	17, 19
250-023	31	370-243D	43, 47	803-209C	7, 11, 17, 19, 21, 23, 25, 27, 29, 37, 39, 41	823-386C	33
255-092	31	370-248D	7	803-229C	7	826-653C	11, 15
255-093	31	370-250D	9	803-255C	9, 11, 19, 25	826-687C	11, 13
255-098	31	370-294H	25	804-006C	25	827-001C	37
255-102	31	370-341A	25	804-007C	9	827-002C	37
255-103	31	370-342H	19	804-009C	11	827-115C	19
255-104	31	370-343H	19	804-010C	11	833-543C	17, 19
255-186	31	370-344A	19	804-012C	11, 19	833-557C	43
258851	35	370-379K	19	804-013C	9, 11, 21	838-517C	49
259-001	31	370-414H	19	804-016C	7	838-963C	49
259-004	31	370-415K	19	804-021C	11	838-965C	49
259-005	31	370-533D	25	804-022C	11	841-531C	21
301-293H	37	370-534D	19, 25	804-023C	9	841-532C	21
304-345	31	370-610D	25	804-029C	37	841-533C	45
308-400D	9	370-614D	25	804-039C	17, 21, 23, 27, 29	841-534C	45
310-020S	9	370-616D	19	804-041C	7	841-594C	23
370-006H	11	370-618D	19	804-041C	7	841-773C	25
370-011H	11	370-644D	11	804-041C	7	848-585C	49
370-013H	7	370-683D	11	804-041C	7	848-586C	49
370-023A	45	370-684D	7	805-004C	45	848-720C	49
370-024A	21	370-685D	25	805-015C	9	848-721C	49
370-028A	17	370-727D	19	805-032C	43, 47	848-747C	49
370-029A	43	437208	35	805-041C	9	848-840C	49
370-030A	47	491604	35	805-065C	27, 29, 37	858-148C	49
370-032H	7	492214	35	805-088C	45	A.259.500	15
370-055D	47	492669	35	805-136C	17, 19	dwg13565	35
370-057H	11	494382	35	805-180C	17, 21, 23, 27, 29	dwg33062	9
370-059H	11	8.1.2.01174	15	805-198C	9	dwg33063	11
370-061D	9	8.2.1.00382	15	805-363C	9	dwg33064	7
370-065H	9	8.4.1.00232	15	808-400C	11	dwg33065	27
		8.5.1.00005	15	808-423C	7, 11	dwg33066	21
		8.7.6.00636	15	808-440C	7	dwg33067	17
		800-001C	7	809-233C	11	dwg33068	47



Part Number Index (continued)

<u>Part Number</u>	<u>Page</u>
dwg33069	45
dwg33070	43
dwg33071	41
dwg33072	39
dwg33073	37
dwg33075	49
dwg33080	29
dwg33090	33
dwg33091	31
dwg33117	13
dwg33120	15
dwg33406	23
dwg35441	25
dwg35444	19
N/A	13, 35
SK-SCR0622000A	23, 25
ZHSK-EBMM	23, 25



Great Plains Manufacturing, Inc.

Corporate Office: P.O. Box 5060
Salina, Kansas 67402-5060 USA

www.landpride.com

Free Manuals Download Website

<http://myh66.com>

<http://usermanuals.us>

<http://www.somanuals.com>

<http://www.4manuals.cc>

<http://www.manual-lib.com>

<http://www.404manual.com>

<http://www.luxmanual.com>

<http://aubethermostatmanual.com>

Golf course search by state

<http://golfingnear.com>

Email search by domain

<http://emailbydomain.com>

Auto manuals search

<http://auto.somanuals.com>

TV manuals search

<http://tv.somanuals.com>