



DSP7000

Digital Signal Processing
Loudspeaker System

Four-way DSP active loudspeaker

Curved cabinet featuring advanced laminated damping technology

Piano lacquer finish in a range of sumptuous colours

Self-contained audio system, each speaker has four custom drivers, four amplifiers, three digital converters, digital crossovers and advanced sound-shaping DSP Technology

Controlled by Meridian System Remote (supplied)

Listener control over features including volume, bass, treble tilt, listening axis, time-compensated balance and absolute phase

The ultimate expression of the art and science of compact loudspeaker design

Meridian DSP7000

Meridian's latest speakers, the DSP7000s, are breathtaking in their ability to place musicians in precise locations in your room, with even subtle body movements clearly audible. The system also has the power to bring alive the most challenging motion picture sound track or rock band. The DSP7000 is a smaller derivative of our Stereophile Class A rated flagship, the DSP8000. Aspects like the unique cabinet construction allow the DSP7000 to handle the demanding dynamic resolution required by today's formats.

DSP loudspeaker drivers

Each DSP7000 loudspeaker uses two multiple high-efficiency long-throw custom bass drive units. The treble and mid-range drivers are mounted in a separate acoustic enclosure. The treble unit is a semi-horn-loaded composite dome design with a silver voice coil. The mid-range unit uses a custom 160mm polypropylene driver.

Power amplifiers

The speakers are driven by four independent high-power low-feedback power amplifiers. The combination of optimised magnetic design, careful star earthing, and very fast output devices gives the amplifiers extremely low noise, high detail, and fast bass. The whole electronic assembly is powered by a substantial toroidal transformer feeding high-quality audiophile-grade capacitors.

Cabinet

Each DSP7000 loudspeaker is built within a precision manufactured cabinet, which uses innovative design techniques to give exceptionally low coloration and exquisite mid-range transparency.

Meridian Audio Limited

Stonehill
Stukeley Meadows
Huntingdon
Cambridgeshire PE29 6EX
England

T 44 (0) 1480 445678
F 44 (0) 1480 445686

Meridian America Inc

3800 Camp Creek Parkway
Building 2400 Suite 122
Atlanta GA 30331

T (404) 344 7111
F (404) 346 7111

BOOTHROYD STUART
MERIDIAN

www.meridian-audio.com

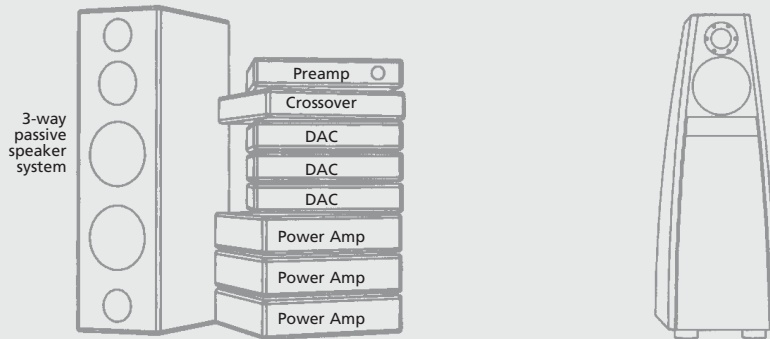
The ported enclosure is fabricated from curved pressure-laminated panels, each using multiple layers of selected woods and metal to provide high stiffness and damping. Its narrow, tapered shape offers optimum dispersion across a wide listening area.

The cabinet is constructed with extensive bracing. The front incorporates a window for the matrix display and an infrared remote control sensor. The cabinet stands on triangulated adjustable machined foot assemblies with provision for floor spikes or skids.

DSP7000

Digital Signal Processing
Loudspeaker System

Meridian DSP Loudspeakers, what's inside?



All these separate components are integrated in Meridian DSP loudspeakers

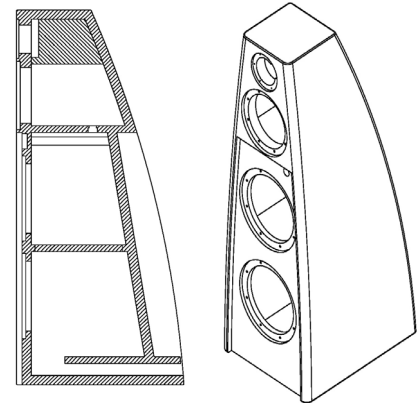


The DSP7000 uses the same design principles as the award-winning Meridian DSP8000 and is perfect for use in a Meridian Digital Theatre®

Technical Specification

- Performance:** Frequency response in-room within 3dB from 30Hz to over 20kHz. Maximum output >112dB spl @ 1m on music material. Noise less than 15dB spl. Overall distortion typically <0.02% at any frequency or level.
- Inputs:** Two digital inputs to SPDIF standard; 32kHz–96kHz sampling rates at up to 24 bit; MHR support. (A future software update will enable support for 192kHz.)
- Construction:** Four-way acoustic reflex system. Digital crossovers at 200Hz and 2.6kHz. 2 x 200mm long-throw bass drivers. 1 x 160mm polypropylene mid driver. 1 x 25mm aluminium-dome tweeter, silver wire, short horn-loaded with protective grille. Black gloss piano-lacquer cabinet, other colours to special order. FIFO memory buffer input for the lowest possible jitter from almost any source. Analogue gain and filtering using proprietary Meridian Class-A discrete amplification. Digital and conversion electronics constructed using advanced surface-mount techniques and partitioned 6-layer printed-circuit boards. Four 24-bit 128 x oversampling D/A converters. Four 100W power amplifiers per speaker.
- Dimensions:** 1050mm (41.3") H, 348 (13.7") W, 458 (18.0") D. Weight 70kg (154 lb) each.
- Controls:** Rear-panel controls for Power On/Off. MSR and RS232 port provide control over bass, treble tilt, listening axis, volume, time-compensated balance and absolute phase.
- Front display:** Eight-character display with system lights, can be blank.

Meridian Audio reserve the right to amend and improve specifications at any time.



BOOTHROYD STUART
MERIDIAN®

Free Manuals Download Website

<http://myh66.com>

<http://usermanuals.us>

<http://www.somanuals.com>

<http://www.4manuals.cc>

<http://www.manual-lib.com>

<http://www.404manual.com>

<http://www.luxmanual.com>

<http://aubethermostatmanual.com>

Golf course search by state

<http://golfingnear.com>

Email search by domain

<http://emailbydomain.com>

Auto manuals search

<http://auto.somanuals.com>

TV manuals search

<http://tv.somanuals.com>