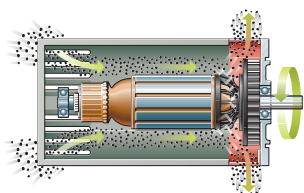




## TIME TO GET TOUGH.

Grinders have to work in the most extreme environments of any powertool. Motors have to cope with high loading, extreme heat and in many cases burning hot swarf and carbon particles for long periods of time. This is why Metabo have developed their infamous Marathon

motor with special resin coatings and armature protection grids. Coupled with sonically balanced high volume flow rate fans, safety clutches and high quality accessories users can enjoy up to five times longer life than that of a standard motor. **Metabo – No Compromise.**



### Marathon motor with coil guard

Expertly machined and balanced motors use high grade coppers and steels, increase efficiency and provide optimum performance. Thick resin coatings on the armature and field coil protect the motor from harmful debris, increasing service life. The large fan ensures optimal cooling for maximum efficiency, allowing for increased torque capability.

### Encapsulated switch

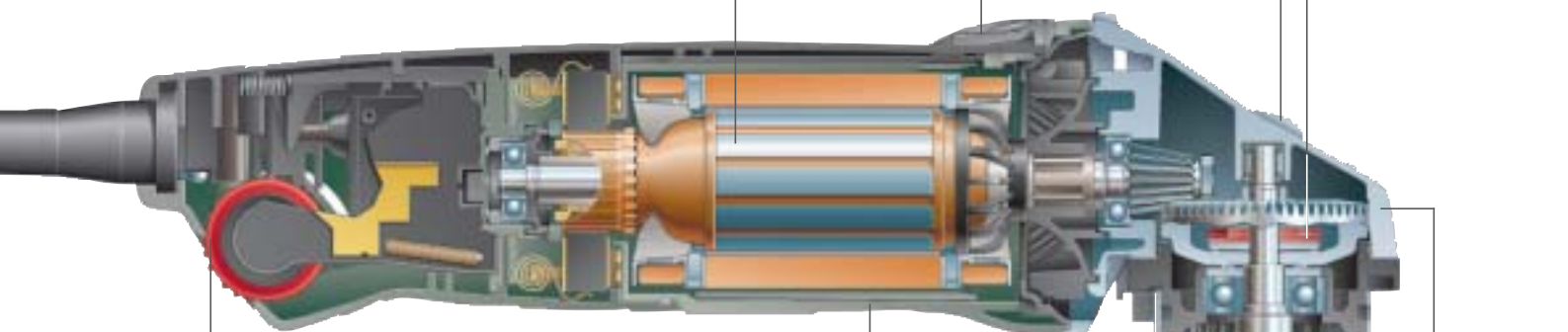
It eliminates electrical spark-overs caused by the accumulation of metallic dust.

### Metabo S-automatic torque limiting clutch

Prevents sudden reverse kick back if a disc or bit should jam in the work piece - protecting machine and user.

### Metabo „Quick“ System

Simple, fast disc exchange without tools.



### Thumbwheel for speed selection\*

In order to provide greater flexibility for different applications, the speed can be changed to accommodate the material being machined. (\* dependant on model)

### Ergonomic design

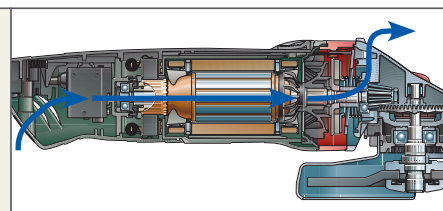
The ergonomic housing design and its pronounced necking provides a secure grip for every application.

### Die cast aluminium gear housing

Metal gear housings ensure optimum integral machine strength and maximum heat dissipation which aids motor cooling and prolongs service life.

### Disc guard with adjustment option without tools

Protection against sparks. Can be adjusted individually, easily and quickly for all types of jobs.






### Work safety

The hardwearing Metabo disc brake brings the grinding disc to a stop within three seconds of switching off the angle grinder. An important advantage for protecting the user (WB 11-125 Quick and WB 11-150 Quick only).

### Optimum cooling

An improved sonically balanced fan coupled with better venting and more efficient internal ducting channels have resulted in a 10-15% increase\* in air flow over the motor. As a result, these new grinders can work harder for longer; performance and durability are increased. (\* dependant on model)

The right angle grinder for every application.

| Classification  |  | Type and output  | Page |
|---|--|--|------|
| <b>The compact class</b>  |  |  |      |
| Grinding wheel diameter<br>100, 115, 125 and 150 mm<br><br><b>Its strengths:</b><br>Cutting of medium-sized profiles.<br>Roughing for preparation of welding.<br>Smoothing of welded seams.<br>Grinding of metal, wood,<br>and plastic (with electronics).<br>Cutting of tiles. |   | W 8-100<br>W 8-115<br>W 8-125  | 16   |
|   |  | WP 7-115 Quick<br>WPS 7-115 Quick<br>WP 7-125 Quick<br>WPS 7-125 Quick | 17   |
|   |  | W 8-115 Quick<br>W 8-125 Quick<br>WE 9-125 Quick                       | 18   |
|   |  | W 11-125 Quick<br>W 11-150 Quick<br>WB 11-125 Quick<br>WB 11-150 Quick | 19   |
|   |  | WE 14-125 Plus<br>WE 14-150 Plus<br>750 – 1,400 Watts                  | 20   |
| <b>The middle class</b>   |  |  |      |
| Grinding wheel diameter<br>125 and 150 mm.<br><br><b>Its strengths:</b><br>Cutting of thick profiles.<br>Smoothing of thick<br>welded seams.<br>Hard grinding.  |  | W 14-125 Ergo<br><br>W 14-150 Ergo<br><br>1,400 Watts                  | 21   |
|   |  |  |      |
| <b>The top class</b>  |  |  |      |
| Grinding disc diameter<br>180 and 230 mm.<br><br><b>Its strengths:</b><br>Cutting full material.<br>Cutting concrete<br>and slabs.<br>Working in<br>cutting stand.<br>Hard grinding.  |  | W 21-180<br>WX 21-180<br>W 21-230<br>WX 21-230                         | 22   |
|   |  | W 23-180<br>WX 23-180<br>W 23-230<br>WX 23-230                         | 23   |
|   |  | WX 21-230 Quick<br>WX 23-180 Quick<br>WX 23-230 Quick                  | 24   |
|   |  | W 25-230<br>WX 25-230<br><br>2,100 – 2,500 Watts                       | 25   |
|   |  |  |      |



## COMMON FEATURES

- High-powered angle grinder with extra high cooling capacity for fast work progress even under the toughest operating conditions
- Sturdy, durable Metabo marathon motor
- Includes Metabo dust-protection technology for an extremely long device service life
- Ergonomic housing design with distinctive indents for comfortably holding the device during clearing and roughing
- Die cast aluminium gear housing
- Metabo S-automatic torque limiting clutch
- Disc guard allowing tool-free adjustment and removal
- Metabo winding protection grid
- Highly durable auto-stop carbon brushes with dust protection housing



W 8-100

NEW

W 8-115

NEW

W 8-125

NEW

|   | 800 Watt<br>Angle Grinder<br>W 8-100   | 800 Watt<br>Angle Grinder<br>W 8-115   | 800 Watt<br>Angle Grinder<br>W 8-125   |
|---|--|--|--|
| <b>Comparative device characteristics</b> |  |  |  |
| Grinding wheel Ø                          | 100 mm   | 115 mm   | 125 mm   |
| Torque                                    | 2,2 Nm   | 2,2 Nm   | 2,2 Nm   |
| No load speed                             | 10.000 /min  | 10.000 /min  | 10.000 /min  |
| Rated input power                         | 800 W  | 800 W  | 800 W  |
| Output power                              | 490 W  | 490 W  | 490 W  |
| Rated load speed                          | 7.000 /min   | 7.000 /min   | 7.000 /min   |
| Spindle thread                            | M 10   | M 14   | M 14   |
| Weight (without mains cable)              | 1,8 kg   | 1,8 kg   | 1,8 kg   |
| <b>Standard equipment</b>                 | Disc guard, inner support flange, adjusting nut, side handle, flat-pin spanner | Disc guard, inner support flange, adjusting nut, Metabo VibraTech (MVT) handle, flat-pin spanner | Disc guard, inner support flange, adjusting nut, Metabo VibraTech (MVT) handle, flat-pin spanner |
| <b>Type</b>                               | W 8-100  | W 8-115  | W 8-125  |
| <b>Order no.</b>                          | 6.00258 ■  | 6.00259 ■  | 6.00263 ■  |

## COMMON FEATURES

- Sturdy, durable Metabo marathon motor
- Die cast aluminium gear housing
- Metabo S-automatic torque limiting clutch
- Metabo "Quick" tool quick change
- Ergonomic handle design with integrated switch
- Additional Metabo VibraTech (MVT) handle for vibration damping
- Adjustment of disc guard without tools
- Ergonomic shape for fatigue-proof rough grinding
- Metabo winding protection grid
- Auto-stop carbon brushes



WP 7-115 Quick

WPS 7-115 Quick



WP 7-125 Quick

WPS 7-125 Quick

|   | 750 Watt Angle Grinder WP 7-115 Quick   | 750 Watt Angle Grinder WPS 7-115 Quick  | 750 Watt Angle Grinder WP 7-125 Quick   | 750 Watt Angle Grinder WPS 7-125 Quick  |
|---|---|---|---|---|
| <b>Special advantages</b>                 |   |   |   |   |
| ▪ Deadman's switch                        |   | •   |   | •   |
| <b>Comparative device characteristics</b> |   |   |   |   |
| Grinding wheel Ø                          | 115 mm  | 115 mm  | 125 mm  | 125 mm  |
| Torque                                    | 2,2 Nm  | 2,2 Nm  | 2,2 Nm  | 2,2 Nm  |
| No load speed                             | 10.000 /min   | 10.000 /min   | 10.000 /min   | 10.000 /min   |
| Rated input power                         | 750 W   | 750 W   | 750 W   | 750 W   |
| Output power                              | 460 W   | 460 W   | 460 W   | 460 W   |
| Rated load speed                          | 6.500 /min  | 6.500 /min  | 6.500 /min  | 6.500 /min  |
| Spindle thread                            | M 14  | M 14  | M 14  | M 14  |
| Weight (without mains cable)              | 1,8 kg  | 1,8 kg  | 1,8 kg  | 1,8 kg  |
| <b>Standard equipment</b>                 | Disc guard, inner support flange, "quick" flange nut, Metabo VibraTech (MVT) handle | Disc guard, inner support flange, "quick" flange nut, Metabo VibraTech (MVT) handle | Disc guard, inner support flange, "quick" flange nut, Metabo VibraTech (MVT) handle | Disc guard, inner support flange, "quick" flange nut, Metabo VibraTech (MVT) handle |
| <b>Type</b>                               | WP 7-115 Quick  | WPS 7-115 Quick   | WP 7-125 Quick  | WPS 7-125 Quick   |
| <b>Order no.</b>                          | 6.06210 ■   | 6.06208 ■   | 6.06211 ■   | 6.06209 ■   |

ANGLE GRINDERS

METAL PROCESSORS

HAMMERS

IMPACT DRILLS

DRILLS

SCREWDRIVERS

WOOD SANDING MACHINES

ROUTERS AND PLANERS

## COMMON FEATURES

- High-powered angle grinder with extra high cooling capacity for fast work progress even under the toughest operating conditions
- Sturdy, durable Metabo marathon motor
- Includes Metabo dust-protection technology for an extremely long device service life
- Ergonomic housing design with distinctive indents for comfortably holding the device during clearing and roughing
- Die cast aluminium gear housing
- Metabo S-automatic torque limiting clutch
- Metabo "Quick" tool quick change
- Additional Metabo VibraTech (MVT) handle for vibration damping
- Disc guard allowing tool-free adjustment and removal
- Metabo winding protection grid
- Highly durable auto-stop carbon brushes with dust protection housing



|  | 800 Watt<br>Angle Grinder<br>W 8-115 Quick   | 800 Watt<br>Angle Grinder<br>W 8-125 Quick   | 950 Watt<br>Electronic Angle Grinder<br>WE 9-125 Quick                               |
|--|--|--|--|
| <b>Special advantages</b>                      |  |  |  |
| ■ Vario Constamatic (VC) full-wave electronics |  |  | •  |
| ■ Thumbwheel for preselection of speed         |  |  | •  |
| ■ Electronic soft start                        |  |  | •  |
| ■ No-volt release switch                       |  |  | •  |
| <b>Comparative device characteristics</b>      |  |  |  |
| Grinding wheel Ø                               | 115 mm   | 125 mm   | 125 mm   |
| Torque   | 2,2 Nm   | 2,2 Nm   | 2,5 Nm   |
| No load speed                                  | 10.000 /min  | 10.000 /min  | 3.000 - 10.000 /min  |
| Rated input power                              | 800 W  | 800 W  | 950 W  |
| Output power                                   | 490 W  | 490 W  | 540 W  |
| Rated load speed                               | 7.000 /min   | 7.000 /min   | 8.500 /min   |
| Spindle thread                                 | M 14   | M 14   | M 14   |
| Weight (without mains cable)                   | 1,8 kg   | 1,8 kg   | 1,9 kg   |
| <b>Standard equipment</b>                      | Disc guard, inner support flange, "quick" flange nut, Metabo Vibra-Tech (MVT) handle | Disc guard, inner support flange, "quick" flange nut, Metabo Vibra-Tech (MVT) handle | Disc guard, inner support flange, "quick" flange nut, Metabo Vibra-Tech (MVT) handle |
| <b>Type</b>                                    | W 8-115 Quick  | W 8-125 Quick  | WE 9-125 Quick   |
| <b>Order no.</b>                               | 6.00264 ■  | 6.00266 ■  | 6.00269 ■  |

## COMMON FEATURES

- High-powered angle grinder with extra high cooling capacity for fast work progress even under the toughest operating conditions
- Sturdy, durable Metabo marathon motor
- Includes Metabo dust-protection technology for an extremely long device service life
- Ergonomic housing design with distinctive indents for comfortably holding the device during clearing and roughing
- Die cast aluminium gear housing
- Metabo S-automatic torque limiting clutch
- Metabo "Quick" tool quick change
- Additional Metabo VibraTech (MVT) handle for vibration damping
- Disc guard allowing tool-free adjustment and removal
- High torque
- Metabo winding protection grid
- Highly durable auto-stop carbon brushes with dust protection housing



W 11-125 Quick  
NEW

W 11-150 Quick  
NEW

WB 11-125 Quick  
NEW

WB 11-150 Quick  
NEW



WB 11-125 Quick and WB 11-150 Quick: suitable for working with cut-off discs, roughing discs and lamellar grinding disc

|  | 1100 Watt Angle Grinder W 11-125 Quick  | 1100 Watt Angle Grinder W 11-150 Quick  | 1100 Watt Angle Grinder WB 11-125 Quick   | 1100 Watt Angle Grinder WB 11-150 Quick   |
|--|---|---|---|---|
| <b>Special advantages</b>  |   |   |   |   |
| <ul style="list-style-type: none"> <li>Quick halting of the grinding disc within 3 seconds after shutdown</li> </ul> |   |   | •   | •   |
| <b>Comparative device characteristics</b>  |   |   |   |   |
| Grinding wheel Ø   | 125 mm  | 150 mm  | 125 mm  | 150 mm  |
| Torque   | 3 Nm  | 3,3 Nm  | 3 Nm  | 3,3 Nm  |
| No load speed  | 10.000 /min   | 9.000 /min  | 10.000 /min   | 9.000 /min  |
| Rated input power  | 1.100 W   | 1.100 W   | 1.100 W   | 1.100 W   |
| Output power   | 670 W   | 670 W   | 670 W   | 670 W   |
| Rated load speed   | 7.500 /min  | 6.500 /min  | 7.500 /min  | 6.500 /min  |
| Spindle thread   | M 14  | M 14  | M 14 x 1,5  | M 14 x 1,5  |
| Weight (without mains cable)   | 1,8 kg  | 1,8 kg  | 2 kg  | 2 kg  |
| <b>Standard equipment</b>  | Disc guard, inner support flange, "quick" flange nut, Metabo VibraTech (MVT) handle | Disc guard, inner support flange, "quick" flange nut, Metabo VibraTech (MVT) handle | Disc guard, inner support flange, "quick" flange nut, Metabo VibraTech (MVT) handle | Disc guard, inner support flange, "quick" flange nut, Metabo VibraTech (MVT) handle |
| <b>Type</b>  | W 11-125 Quick  | W 11-150 Quick  | WB 11-125 Quick   | WB 11-150 Quick   |
| <b>Order no.</b>   | 6.00270 ■   | 6.00271 ■   | 6.00274 ■   | 6.00276 ■   |

ANGLE GRINDERS

METAL PROCESSORS

HAMMERS

IMPACT DRILLS

DRILLS

SCREWDRIVERS

WOOD SANDING MACHINES

ROUTERS AND PLANERS

## COMMON FEATURES

- High-powered angle grinder with extra high cooling capacity for fast work progress even under the toughest operating conditions
- Sturdy, durable Metabo marathon motor
- Includes Metabo dust-protection technology for an extremely long device service life
- Ergonomic housing design with distinctive indents for comfortably holding the device during clearing and roughing
- Die cast aluminium gear housing
- Metabo S-automatic torque limiting clutch
- Metabo "Quick" tool quick change
- Additional Metabo VibraTech (MVT) handle for vibration damping
- Disc guard allowing tool-free adjustment and removal
- High torque
- Vario Tacho Constamatic (VTC) electronics allow you to set the right speed for the application and then maintain that speed, even under heavy loading
- Thumbwheel for preselection of speed
- Electronic soft start
- Overload protection
- Metabo winding protection grid
- No-volt release switch
- Highly durable auto-stop carbon brushes with dust protection housing



**WE 14-125 Plus**  
NEW

**WE 14-150 Plus**  
NEW

|   | 1400 Watt<br>Electronic Angle Grinder<br>WE 14-125 Plus                                   | 1400 Watt<br>Electronic Angle Grinder<br>WE 14-150 Plus                                   |
|---|---|---|
| <b>Comparative device characteristics</b> |   |   |
| Grinding wheel Ø                          | 125 mm  | 150 mm  |
| Torque                                    | 3,3 Nm  | 3,5 Nm  |
| No load speed                             | 7.000 - 10.500 /min   | 6.000 - 9.000 /min  |
| Rated input power                         | 1.400 W   | 1.400 W   |
| Output power                              | 800 W   | 800 W   |
| Rated load speed                          | 10.500 /min   | 9.000 /min  |
| Spindle thread                            | M 14  | M 14  |
| Weight (without mains cable)              | 1,9 kg  | 1,9 kg  |
| <b>Standard equipment</b>                 | Disc guard, inner support flange,<br>"quick" flange nut, Metabo VibraTech (MVT)<br>handle | Disc guard, inner support flange,<br>"quick" flange nut, Metabo VibraTech (MVT)<br>handle |
| <b>Type</b>                               | WE 14-125 Plus  | WE 14-150 Plus  |
| <b>Order no.</b>                          | 6.00281 ■   | 6.00286 ■   |



**COMMON FEATURES**

- Robust Metabo Marathon motor
- Die cast aluminium gear housing
- Main handle rotatable without tools
- Additional Metabo VibraTech (MVT) handle for vibration damping
- Adjustment of protective cover without tools
- Ergonomic handle design with integrated switch
- Safety switch: safety lock against unintentional start
- Especially high torque
- Metabo winding protection grid
- Auto-stop carbon brushes



|   | 1400 Watt<br>Angle Grinder<br>W 14-125 Ergo  | 1400 Watt<br>Angle Grinder<br>W 14-150 Ergo  |
|---|--|--|
| <b>Comparative device characteristics</b> |  |  |
| Grinding wheel Ø                          | 125 mm   | 150 mm   |
| Torque                                    | 5 Nm   | 5 Nm   |
| No load speed                             | 10.000 /min  | 10.000 /min  |
| Rated input power                         | 1.400 W  | 1.400 W  |
| Output power                              | 800 W  | 800 W  |
| Rated load speed                          | 7.300 /min   | 7.300 /min   |
| Spindle thread                            | M 14   | M 14   |
| Weight (without mains cable)              | 2,8 kg   | 2,8 kg   |
| <b>Standard equipment</b>                 | Disc guard, inner support flange,<br>adjusting nut, Metabo VibraTech (MVT)<br>handle, flat-pin spanner | Disc guard, inner support flange,<br>adjusting nut, Metabo VibraTech (MVT)<br>handle, flat-pin spanner |
| <b>Type</b>                               | W 14-125 Ergo  | W 14-150 Ergo  |
| <b>Order no.</b>                          | 6.06250 ■  | 6.06251 ■  |

ANGLE GRINDERS

METAL PROCESSORS

HAMMERS

IMPACT DRILLS

DRILLS

SCREWDRIVERS

WOOD SANDING  
MACHINES

ROUTERS  
AND PLANERS

## COMMON FEATURES

- Robust Metabo Marathon motor
- High efficiency and increased torque through optimum heat dissipation
- Die cast aluminium gear housing
- Main handle rotatable without tools
- Protective cover adjustment without tools
- Additional Metabo VibraTech (MVT) handle for vibration damping
- Metabo safety switch: safety lock against unintentional start
- Metabo winding protection grid
- Auto-stop carbon brushes



W 21-180

WX 21-180



W 21-230

WX 21-230

|   | 2100 Watt<br>Angle Grinder<br>W 21-180   | 2100 Watt<br>Angle Grinder<br>WX 21-180  | 2100 Watt<br>Angle Grinder<br>W 21-230   | 2100 Watt<br>Angle Grinder<br>WX 21-230  |
|---|--|--|--|--|
| <b>Special advantages</b>                 |  |  |  |  |
| ▪ Starting current limitation             |  | •  |  | •  |
| <b>Comparative device characteristics</b> |  |  |  |  |
| Grinding wheel Ø                          | 180 mm   | 180 mm   | 230 mm   | 230 mm   |
| Torque                                    | 11 Nm  | 11 Nm  | 14 Nm  | 14 Nm  |
| No load speed                             | 8.500 /min   | 8.500 /min   | 6.600 /min   | 6.600 /min   |
| Rated input power                         | 2.100 W  | 2.100 W  | 2.100 W  | 2.100 W  |
| Output power                              | 1.440 W  | 1.440 W  | 1.440 W  | 1.440 W  |
| Rated load speed                          | 5.800 /min   | 5.800 /min   | 4.600 /min   | 4.600 /min   |
| Spindle thread                            | M 14   | M 14   | M 14   | M 14   |
| Weight (without mains cable)              | 4,8 kg   | 4,8 kg   | 4,8 kg   | 4,8 kg   |
| <b>Standard equipment</b>                 | Disc guard, inner support flange, adjusting nut, Metabo VibraTech (MVT) handle, flat-pin spanner | Disc guard, inner support flange, adjusting nut, Metabo VibraTech (MVT) handle, flat-pin spanner | Disc guard, inner support flange, adjusting nut, Metabo VibraTech (MVT) handle, flat-pin spanner | Disc guard, inner support flange, adjusting nut, Metabo VibraTech (MVT) handle, flat-pin spanner |
| <b>Type</b>                               | W 21-180   | WX 21-180  | W 21-230   | WX 21-230  |
| <b>Order no.</b>                          | 6.06400  | 6.06401  | 6.06405 ■  | 6.06406  |

**COMMON FEATURES**

- Robust Metabo Marathon motor
- High efficiency and increased torque through optimum heat dissipation
- Die cast aluminium gear housing
- Main handle rotatable without tools
- Protective cover adjustment without tools
- Additional Metabo VibraTech (MVT) handle for vibration damping
- Metabo safety switch: safety lock against unintentional start
- Metabo winding protection grid
- Auto-stop carbon brushes



W 23-180

WX 23-180

W 23-230

WX 23-230

|   | 2300 Watt<br>Angle Grinder<br>W 23-180   | 2300 Watt<br>Angle Grinder<br>WX 23-180  | 2300 Watt<br>Angle Grinder<br>W 23-230   | 2300 Watt<br>Angle Grinder<br>WX 23-230  |
|---|--|--|--|--|
| <b>Special advantages</b>                 |  |  |  |  |
| ■ Starting current limitation             |  | •  |  | •  |
| <b>Comparative device characteristics</b> |  |  |  |  |
| Grinding wheel Ø                          | 180 mm   | 180 mm   | 230 mm   | 230 mm   |
| Torque                                    | 14 Nm  | 14 Nm  | 17 Nm  | 17 Nm  |
| No load speed                             | 8.500 /min   | 8.500 /min   | 6.600 /min   | 6.600 /min   |
| Rated input power                         | 2.300 W  | 2.300 W  | 2.300 W  | 2.300 W  |
| Output power                              | 1.580 W  | 1.580 W  | 1.580 W  | 1.580 W  |
| Rated load speed                          | 5.800 /min   | 5.800 /min   | 4.600 /min   | 4.600 /min   |
| Spindle thread                            | M 14   | M 14   | M 14   | M 14   |
| Weight (without mains cable)              | 4,9 kg   | 4,9 kg   | 4,9 kg   | 4,9 kg   |
| <b>Standard equipment</b>                 | Disc guard, inner support flange, adjusting nut, Metabo VibraTech (MVT) handle, flat-pin spanner | Disc guard, inner support flange, adjusting nut, Metabo VibraTech (MVT) handle, flat-pin spanner | Disc guard, inner support flange, adjusting nut, Metabo VibraTech (MVT) handle, flat-pin spanner | Disc guard, inner support flange, adjusting nut, Metabo VibraTech (MVT) handle, flat-pin spanner |
| <b>Type</b>                               | W 23-180   | WX 23-180  | W 23-230   | WX 23-230  |
| <b>Order no.</b>                          | 6.06410 ■  | 6.06411 ■  | 6.06415 ■  | 6.06416 ■  |

ANGLE GRINDERS

METAL PROCESSORS

HAMMERS

IMPACT DRILLS

DRILLS

SCREWDRIVERS

WOOD SANDING MACHINES

ROUTERS AND PLANERS

## COMMON FEATURES

- Robust Metabo Marathon motor
- High efficiency and increased torque through optimum heat dissipation
- Die cast aluminium gear housing
- Starting current limitation
- Metabo "Quick": tool quick change
- Main handle rotatable without tools
- Protective cover adjustment without tools
- Additional Metabo VibraTech (MVT) handle for vibration damping
- Metabo safety switch: safety lock against unintentional start
- Metabo winding protection grid
- Auto-stop carbon brushes



|   | 2100 Watt<br>Angle Grinder<br>WX 21-230 Quick  | 2300 Watt<br>Angle Grinder<br>WX 23-180 Quick  | 2300 Watt<br>Angle Grinder<br>WX 23-230 Quick  |
|---|--|--|--|
| <b>Comparative device characteristics</b> |  |  |  |
| Grinding wheel Ø                          | 230 mm   | 180 mm   | 230 mm   |
| Torque                                    | 14 Nm  | 14 Nm  | 17 Nm  |
| No load speed                             | 6.600 /min   | 8.500 /min   | 6.600 /min   |
| Rated input power                         | 2.100 W  | 2.300 W  | 2.300 W  |
| Output power                              | 1.440 W  | 1.580 W  | 1.580 W  |
| Rated load speed                          | 4.600 /min   | 5.800 /min   | 4.600 /min   |
| Spindle thread                            | M 14   | M 14   | M 14   |
| Weight (without mains cable)              | 4,8 kg   | 4,9 kg   | 4,9 kg   |
| <b>Standard equipment</b>                 | Disc guard, inner support flange, "quick" flange nut, Metabo Vibra-Tech (MVT) handle | Disc guard, inner support flange, "quick" flange nut, Metabo Vibra-Tech (MVT) handle | Disc guard, inner support flange, "quick" flange nut, Metabo Vibra-Tech (MVT) handle |
| <b>Type</b>                               | WX 21-230 Quick  | WX 23-180 Quick  | WX 23-230 Quick  |
| <b>Order no.</b>                          | 6.06407  | 6.06412  | 6.06417  |





# MADE TO WORK AS HARD AS YOU DO.

Grinding, cutting, brushing, sanding, finishing... Not many tools are used as much or as hard as an angle grinder. That's why Metabo have a wide range from compact, to medium through to top class. With Metabo it is possible to get exactly the right machine for the job, no compromise, only the best: **Metabo. Work. Don't play.**

**COMMON FEATURES**

- Robust Metabo Marathon motor
- High efficiency and increased torque through optimum heat dissipation
- Die cast aluminium gear housing
- Main handle rotatable without tools
- Protective cover adjustment without tools
- Additional Metabo VibraTech (MVT) handle for vibration damping
- Metabo safety switch: safety lock against unintentional start
- Metabo winding protection grid
- Auto-stop carbon brushes



W 25-230

WX 25-230

|   | 2500 Watt<br>Angle Grinder<br>W 25-230   | 2500 Watt<br>Angle Grinder<br>WX 25-230  |
|---|--|--|
| <b>Special advantages</b>                 |  |  |
| ■ Starting current limitation             |  | •  |
| <b>Comparative device characteristics</b> |  |  |
| Grinding wheel Ø                          | 230 mm   | 230 mm   |
| Torque                                    | 18 Nm  | 18 Nm  |
| No load speed                             | 6.600 /min   | 6.600 /min   |
| Rated input power                         | 2.500 W  | 2.500 W  |
| Output power                              | 1.770 W  | 1.770 W  |
| Rated load speed                          | 4.500 /min   | 4.500 /min   |
| Spindle thread                            | M 14   | M 14   |
| Weight (without mains cable)              | 5,3 kg   | 5,3 kg   |
| <b>Standard equipment</b>                 | Disc guard, inner support flange,<br>adjusting nut, Metabo VibraTech (MVT)<br>handle, flat-pin spanner | Disc guard, inner support flange,<br>adjusting nut, Metabo VibraTech (MVT)<br>handle, flat-pin spanner |
| <b>Type</b>                               | W 25-230   | WX 25-230  |
| <b>Order no.</b>                          | 6.06425 ■  | 6.06426  |

ANGLE GRINDERS

METAL PROCESSORS

HAMMERS

IMPACT DRILLS

DRILLS

SCREWDRIVERS

WOOD SANDING  
MACHINES

ROUTERS  
AND PLANERS

## Free Manuals Download Website

<http://myh66.com>

<http://usermanuals.us>

<http://www.somanuals.com>

<http://www.4manuals.cc>

<http://www.manual-lib.com>

<http://www.404manual.com>

<http://www.luxmanual.com>

<http://aubethermostatmanual.com>

Golf course search by state

<http://golfingnear.com>

Email search by domain

<http://emailbydomain.com>

Auto manuals search

<http://auto.somanuals.com>

TV manuals search

<http://tv.somanuals.com>