

PS500 Series Gas Ovens

Models:

- PS555
- PS570S

PARTS MANUAL

for European export ovens

© 2000 Middleby Marshall, Inc.



**Middleby
Marshall®** is a registered trademark of Middleby Marshall, Inc. All rights reserved.

Middleby Cooking Systems Group • 1400 Toastmaster Drive • Elgin, IL 60120 • (847)741-3300 • FAX (847)741-4406

TABLE OF CONTENTS

| <i>Section</i> | <i>Page</i> |
|--|-------------|
| I. KEY SPARE PARTS KIT | 3 |
| II. INSTALLATIONKIT | 4 |
| III. BASE PAD KIT | 4 |
| IV. OVEN PANELS, WINDOW AND LEGS | 6 |
| V. CONTROL PANEL AND MACHINERY COMPARTMENT | 8 |
| VI. SIDE COMPARTMENTS | 10 |
| VII. BLOWER ASSEMBLIES AND BLOWER MOTORS | 12 |
| VIII. GAS BURNER SYSTEM | 14 |
| IX. CONVEYOR ASSEMBLY, SINGLE-BELT OVENS | 16 |
| X. CONVEYOR ASSEMBLY, SPLIT-BELT OVENS | 18 |

NOTE: Throughout this Parts Manual, the following abbreviations are used:

A/R = Quantity As Required

N/A = Does Not Apply

WARNING

FOR YOUR SAFETY DO NOT STORE OR USE GASOLINE OR OTHER FLAMMABLE VAPORS AND LIQUIDS IN THE VICINITY OF THIS OR ANY OTHER APPLIANCE

WARNING

Improper installation, adjustment, alteration, service or maintenance can cause property damage, injury or death. Read the installation, operating and maintenance instructions thoroughly before installing or servicing this equipment.

WARNING

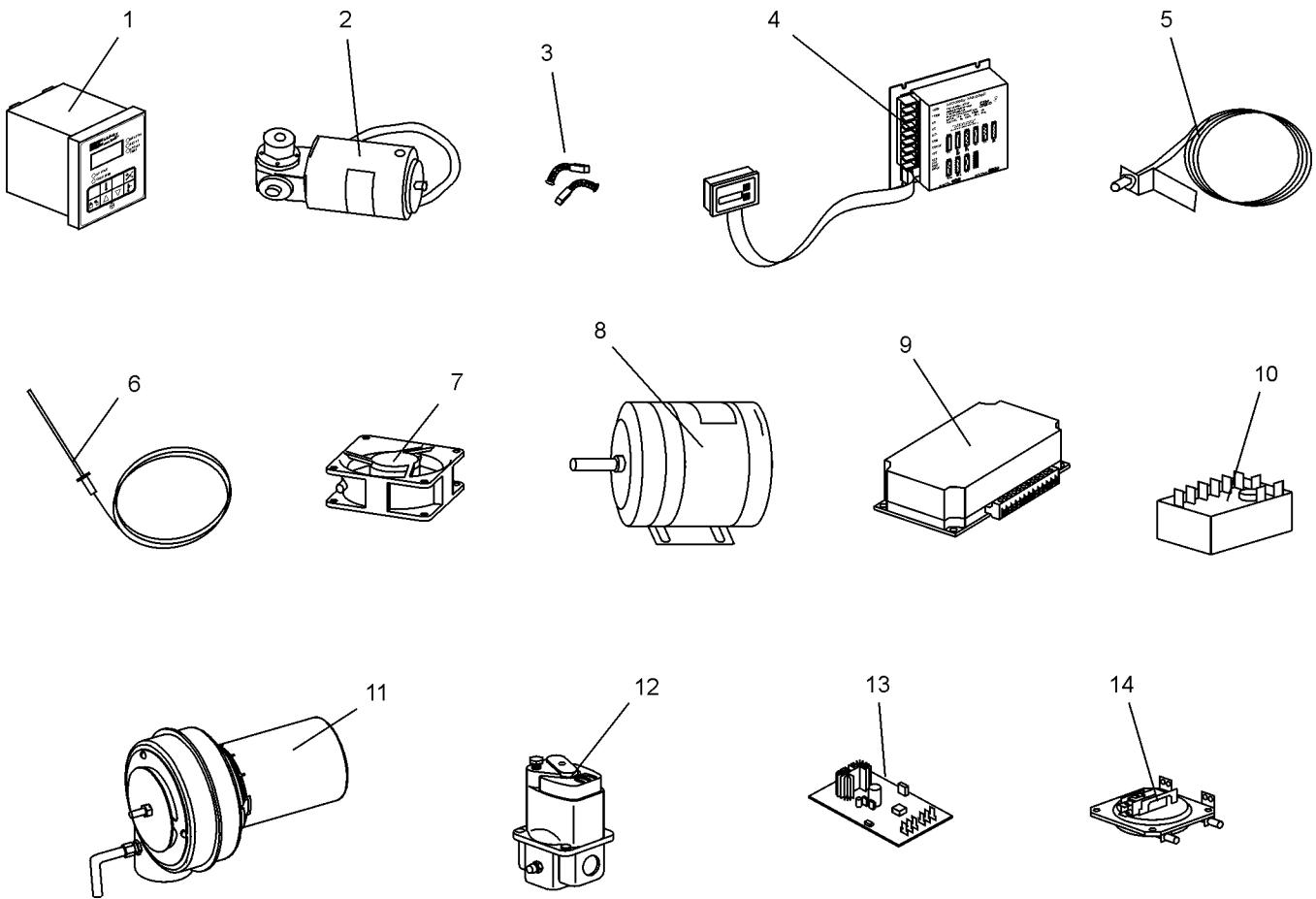
DISCONNECT THE OVEN FROM ITS ELECTRICAL POWER SUPPLY BEFORE SERVICING.

NOTICE

Using any parts other than genuine Middleby Marshall factory manufactured parts relieves the manufacturer of all warranty and liability.

NOTICE

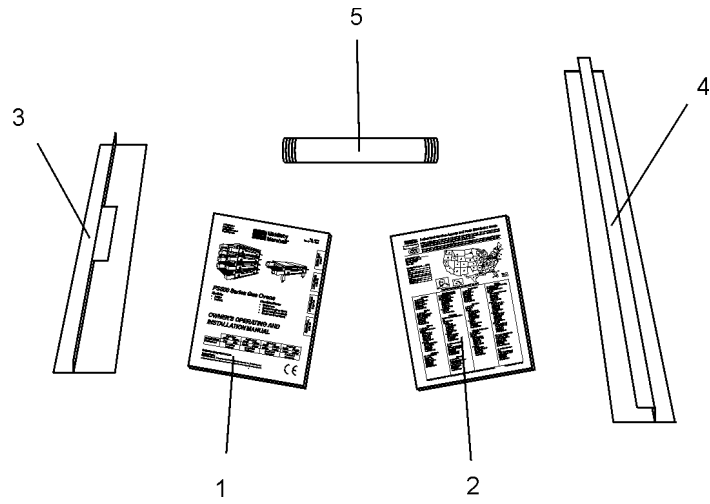
Middleby Marshall (Manufacturer) reserves the right to change specifications at any time.



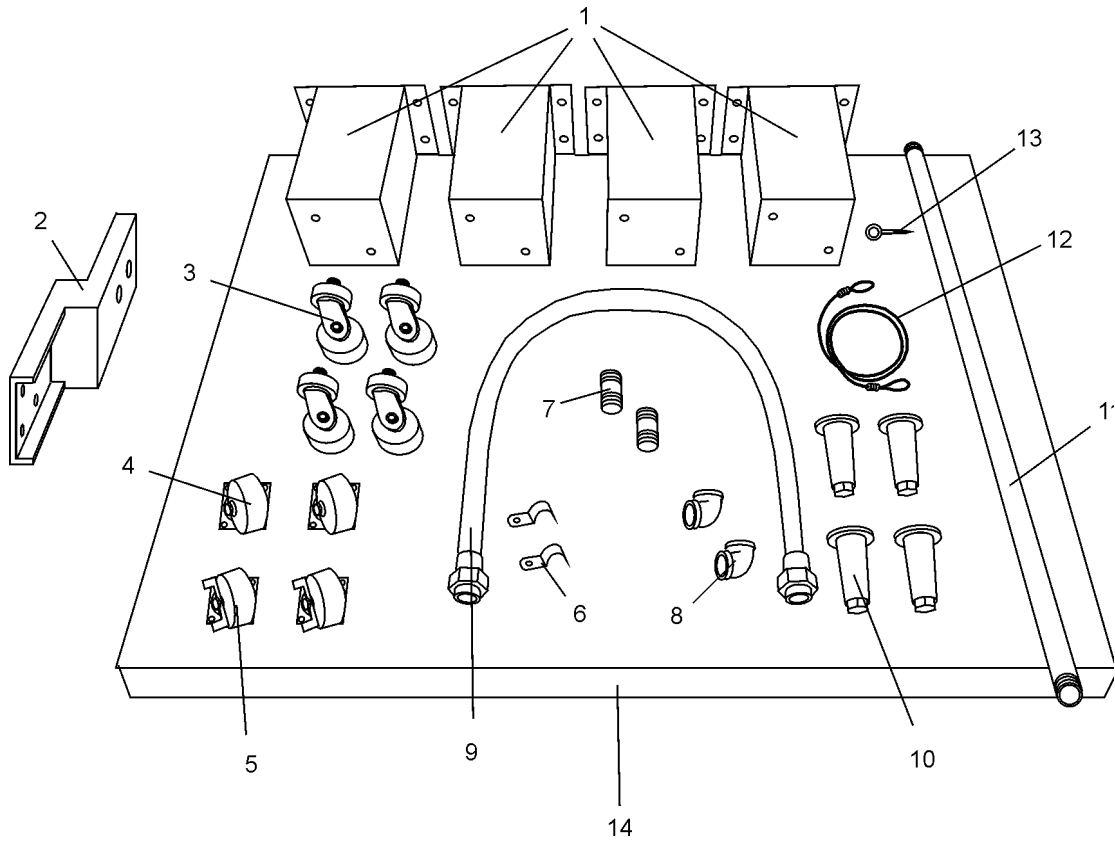
I. KEY SPARE PARTS KIT

| ITEM | QTY. | P/N | DESCRIPTION |
|------|------|------------|---|
| 1 | 1 | 36939 | KIT, DIGITAL TEMPERATURE CONTROL |
| 2 | 1 | 27384-0008 | MOTOR, DRIVE |
| 3 | 2 | 22450-0052 | BRUSH, DRIVE MOTOR |
| 4 | 1 | 37337 | KIT, CONVEYOR SPEED CONTROLLER WITH DIGITAL DISPLAY |
| 5 | 1 | 27170-0263 | ASSEMBLY, PICKUP, DRIVE MOTOR |
| 6 | 1 | 33984 | KIT, THERMOCOUPLE |
| 7 | 1 | 97525 | FAN, COOLING |
| 8 | 1 | 27381-0069 | MOTOR, BLOWER, 1 HP |
| 9 | 1 | 35825 | KIT, IGNITION MODULE |
| 10 | 1 | 33983 | HIGH LIMIT CONTROL MODULE, 240V |
| 11 | 1 | 38811 | BURNER BLOWER/MOTOR ASSEMBLY |
| 12 | 1 | 41647 | VALVE, MODULATING GAS, 1/2" |
| 13 | 1 | 31651 | AMPLIFIER, MODULATING VALVE |
| 14 | 1 | 37498 | AIR SWITCH |

INSTALLATION KIT



BASE PAD KIT



II. INSTALLATION KIT

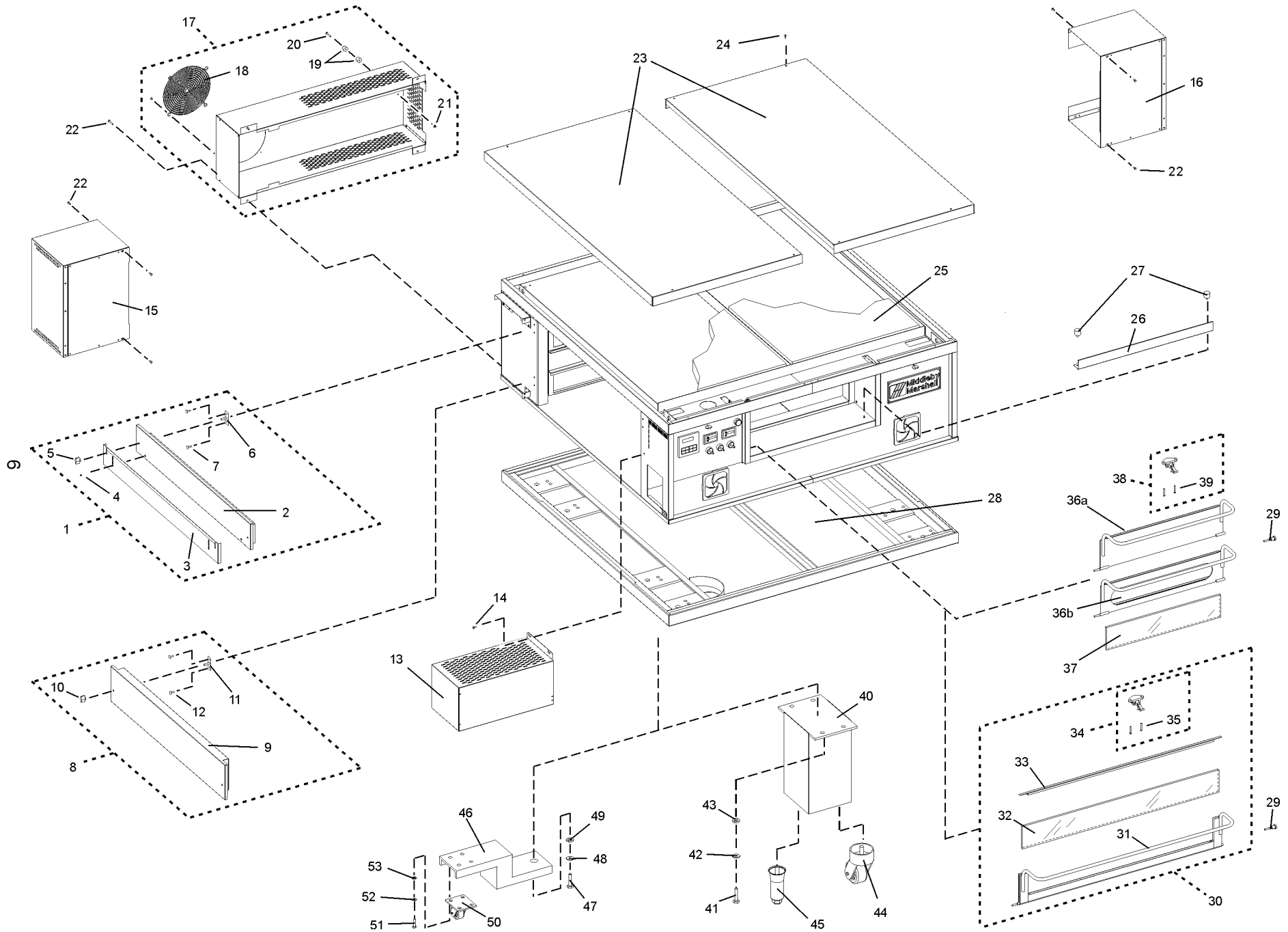
| ITEM | QTY. - SGL. BELT | QTY. - SPLIT BELT | P/N | DESCRIPTION |
|------|------------------|-------------------|------------|--|
| 1 | 1 | 1 | 43015 | OWNER'S OPERATING AND INSTALLATION MANUAL, PS500 SERIES OVENS (EUROPEAN EXPORT VERSIONS) |
| 2 | 1 | 1 | 1002040 | AUTHORIZED SERVICE AGENCY LISTING/DISTRIBUTOR'S GUIDE |
| 3 | 1 | 1 | 35900-0148 | CONVEYOR REAR STOP |
| 4 | 1 | 1 | 35000-1103 | CONVEYOR END STOP |
| 5 | 1 | 1 | 33120-0053 | GAS PIPE NIPPLE |

III. BASE PAD KIT

| ITEM | QTY. SINGLE OVEN | QTY. - DBL. OVEN W/ 10" LEGS | QTY. - DBL. OVEN W/ 15" LEGS | QTY. TRIPLE OVEN | QTY. QUAD OVEN | P/N | DESCRIPTION |
|------|------------------|------------------------------|------------------------------|------------------|----------------|------------|---------------------------------------|
| 1a | 4 | -- | -- | -- | -- | 37210-0060 | LEG, 483mm |
| 1b | -- | 4 | -- | -- | -- | 37210-0082 | LEG, 254mm |
| 1c | -- | -- | 4 | -- | -- | 37210-0057 | LEG, 381mm |
| 1d | -- | -- | -- | 4 (optional) | -- | 43158 | LEG, 102mm |
| 2 | -- | -- | -- | -- | 4 | 37210-0054 | OUTRIGGER |
| 3 | 4 | 4 | 4 | 4 | -- | 37115-0102 | CASTER, SWIVEL WITH 3/4" STUD |
| 4 | -- | -- | -- | -- | 2 | 22290-0010 | CASTER, SWIVEL WITH PLATE (W/O BRAKE) |
| 5 | -- | -- | -- | -- | 2 | 22290-0009 | CASTER, SWIVEL WITH PLATE & BRAKE |
| 6 | 2 | 2 | 2 | 2 | 2 | 27271-0004 | PIPE CLAMP, 1-1/2" |
| 7 | 2 | 2 | 2 | 2 | 2 | 33120-0055 | NIPPLE, 1-1/4" DIA. X 76mm L, NPT |
| 8 | 2 | 2 | 2 | 2 | 2 | 23122-0007 | ELBOW, 90°, 1-1/4" DIA. |
| 9 | 1 | 1 | 1 | 1 | 1 | 22361-0003 | GAS HOSE, 1-1/4" DIA. X 72" L |
| 10 | 4 | 4 | 4 | 4 | -- | 22450-0028 | LEG, 152mm, ADJUSTABLE WITH 3/4" STUD |
| 11 | 1 | 1 | 1 | 1 | 1 | 33120-0056 | GAS PIPE, 1-1/4" DIA. X 54" 1372mm L |
| 12 | 1 | 1 | 1 | 1 | 1 | 22450-0253 | RESTRAINT CABLE, 1524mm |
| 13 | 1 | 1 | 1 | 1 | 1 | 21392-0005 | EYE BOLT/LAG SCREW |
| 14a | 2 | 2 | 2 | 2 | 2 | 42431 | TOP COVER (RIGHT OR LEFT), PS570S |
| 14b | 2 | 2 | 2 | 2 | 2 | 41582 | TOP COVER (RIGHT OR LEFT), PS555 |

NOT SHOWN:

| | | | | | | | |
|----|----|----|----|----|----|------------|------------------------------------|
| -- | 1 | 1 | 1 | 1 | 1 | 41714 | BASE PAD, PS570S |
| -- | 1 | 1 | 1 | 1 | 1 | 41643 | BASE PAD, PS555 |
| -- | 8 | 8 | 8 | 8 | 8 | 21256-0069 | SCREW, SLT TRS HD #10-32 X 1-1/4" |
| -- | 2 | 2 | 2 | 2 | 2 | 21292-0001 | SCREW, TEKS HWH #2PT #10-16 X 3/4" |
| -- | 16 | 16 | 16 | -- | 8 | 21216-0018 | BOLT, HEX CAP 1/2"-13 X 1-1/4" |
| -- | 16 | 16 | 16 | -- | 8 | 21416-0003 | FLAT WASHER, 1/2" |
| -- | 16 | 16 | 16 | -- | 8 | 21426-0004 | LOCK WASHER, 1/2" |
| -- | -- | -- | -- | -- | 16 | 220373 | SCREW, HEX HD 3/8"-16 X 1" |
| -- | -- | -- | -- | -- | 16 | 21416-0001 | FLAT WASHER, 3/8" |
| -- | -- | -- | -- | -- | 16 | 21422-0001 | LOCK WASHER, 3/8" |

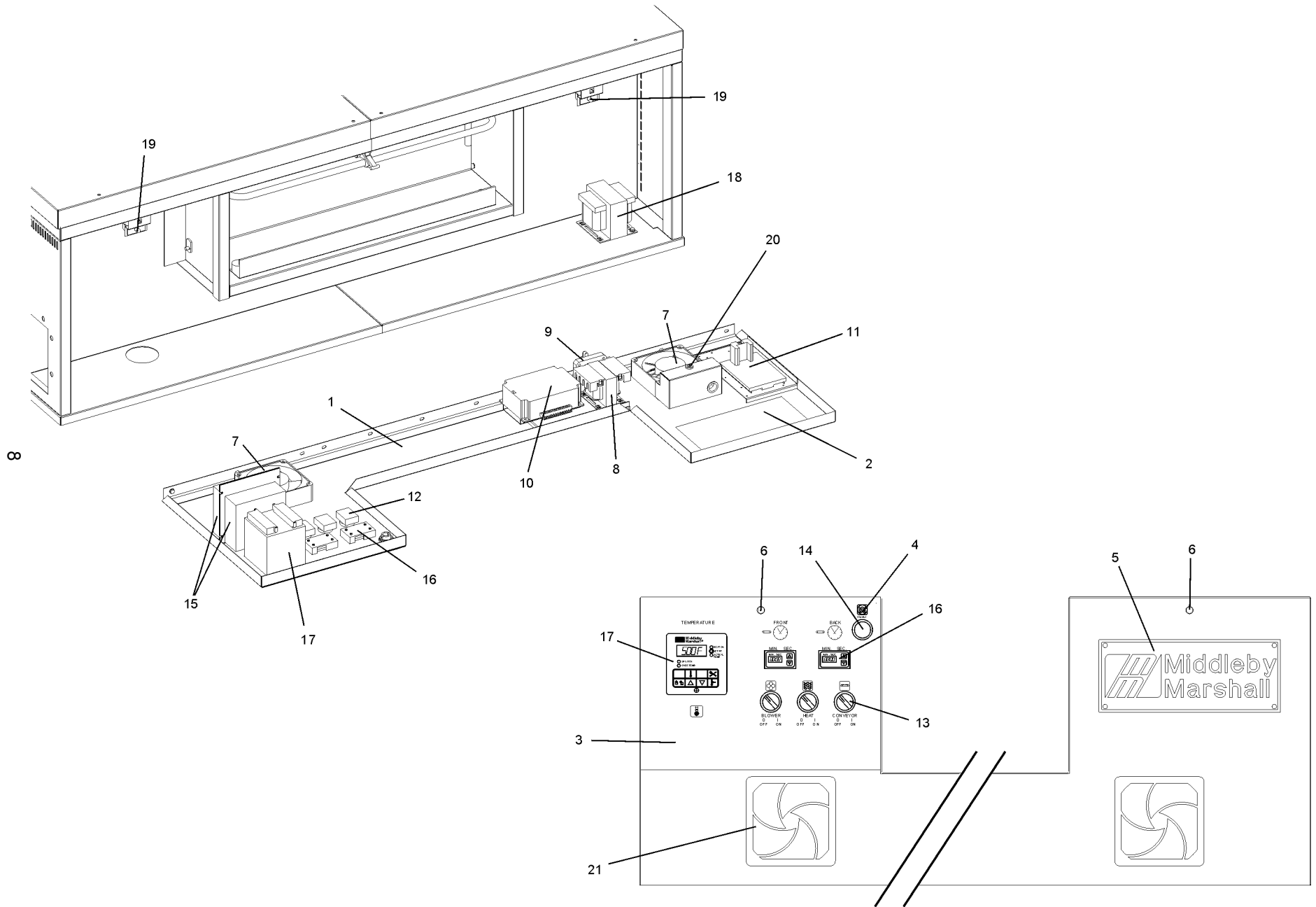


IV. OVEN PANELS, WINDOW AND LEGS

| ITEM | QTY. | P/N | DESCRIPTION |
|------|------|------------|--|
| 1 | 2 | 39539 | ASSY, UPPER END PLUG (INC. ITEMS 2-7) |
| 2 | 1 | 41778 | WELDMENT, UPPER END PLUG PS500 |
| 3 | 1 | 41738 | EYEBROW |
| 4 | 2 | 220295 | SCREW, "AB" HEX WSHR HD #10 X 3/4" |
| 5 | 2 | 36452 | WING NUT, 1/4"-20 W/PLASTIC GRIP |
| 6 | 2 | 41708 | PLATE, END PLUG MOUNTING |
| 7 | 4 | 21292-0001 | SCREW, TEKS HWH #2PT #10-16 X 3/4" |
| 8 | 2 | 39569 | ASSY, LOWER END PLUG (INC. ITEMS 9-12) |
| 9 | 1 | 41779 | WELDMENT, LOWER END PLUG PS500 |
| 10 | 2 | 36452 | WING NUT, 1/4"-20 W/PLASTIC GRIP |
| 11 | 2 | 41708 | PLATE, END PLUG MOUNTING |
| 12 | 4 | 21292-0001 | STUD, SELF-CLINCHING 1/4"-20 X 1" |
| 13 | 1 | 44494 | ASSEMBLY, DRIVE MOTOR SHROUD |
| 14 | 2 | A6153 | SCREW, HEX HD 1/4"-20 X 1/2" |
| 15 | 1 | 44482 | ASSEMBLY, LEFT MOTOR SHROUD |
| 16 | 1 | 44483 | ASSEMBLY, RIGHT MOTOR SHROUD |
| 17 | 2 | 41679 | ASSEMBLY, REAR SHROUD (INC. ITEMS 18-21) |
| 18 | 1 | 31765 | GRILL, COOLING FAN |
| 19 | 2 | 4021D8905 | BUMPER |
| 20 | 1 | 4111A8813 | SCREW, SLT TRS HD #10-32 X 1-1/4" |
| 21 | 1 | F707A8803 | HEX NUT, #10-32 |
| 22 | A/R | 4111A8815 | SCREW, HEX HD #10-32 X 1/2" |
| 23a | 2 | 42431 | TOP COVER, PS570S |
| 23b | 2 | 41582 | TOP COVER, PS555 |
| 24 | 8 | 21256-0069 | SCREW, SLT TRS HD #10-32 X 1-1/4" |
| 25a | 2 | 42555 | INSULATION, ROOF PRECUT PS570S |
| 25b | 2 | 42554 | INSULATION, ROOF PRECUT PS555 |
| 26a | 1 | 41768 | WINDOW GUARD, PS570S |
| 26b | 1 | 42488 | WINDOW GUARD, PS555 |
| 27 | 2 | 30927 | BUMPER, WINDOW |
| 28a | 1 | 41714 | BASE PAD, PS570S |
| 28b | 1 | 41643 | BASE PAD, PS555 |
| 29 | 1 | 34121-0003 | SCREW, WINDOW PIVOT |

| ITEM | QTY. | P/N | DESCRIPTION |
|------|------|------------|--|
| 30 | 1 | 41627 | ASSEMBLY, PS570S WINDOW WITH GLASS (INCLUDES ITEMS 31-35) |
| 31 | 1 | 41626 | FRAME, LOWER DOOR |
| 32 | 1 | 22140-0012 | GLASS, WINDOW, PRE-CUT |
| 33 | 1 | 41630 | FRAME, UPPER DOOR |
| 34 | 1 | 41790 | ASSEMBLY, WINDOW LATCH (INC. ITEM 35) |
| 35 | 2 | 19A1S144 | SCREW, HEX HD #10-32 X 1-1/4" |
| 36a | 1 | 42542 | WELDMENT - PS555 HATCH, HANDLE, & PIVOT PIN |
| 36b | 1 | 44485 | WELDMENT - PS555 WINDOW WITH HATCH, HANDLE, & PIVOT PIN |
| 37 | 1 | 41587 | GLASS, WINDOW, PRE-CUT |
| 38 | 1 | 41790 | ASSEMBLY, WINDOW LATCH (INC. ITEM 34) |
| 39 | 2 | 19A1S144 | SCREW, HEX HD #10-32 X 1-1/4" |
| 40a | 4 | 37210-0060 | LEG, 483mm - SINGLE OVEN |
| 40b | 4 | 37210-0057 | LEG, 381mm - DOUBLE OVEN |
| 40c | 4 | 37210-0082 | LEG, 254mm - DOUBLE OVEN |
| 40d | 4 | 43158 | LEG, 102mm - OPTIONAL FOR TRIPLE OVEN |
| 41 | 16 | 21216-0018 | BOLT, HEX CAP 1/2"-13 X 1-1/4" - SINGLE & DOUBLE OVENS |
| 42 | 16 | 21426-0004 | LOCKWASHER, 1/2" - SGL & DBL OVENS |
| 43 | 16 | 21416-0003 | FLAT WASHER, 1/2" - SGL & DBL OVENS |
| 44 | 4 | 37115-0102 | CASTER, SWIVEL WITH 3/4" STUD - SINGLE, DOUBLE, & TRIPLE OVENS |
| 45 | 4 | 22450-0028 | LEG, 152mm ADJUSTABLE WITH 3/4" STUD - SINGLE, DOUBLE, & TRIPLE OVENS |
| 46 | 4 | 37210-0054 | OUTRIGGER - QUAD OVEN |
| 47 | 8 | 21216-0018 | BOLT, HEX CAP 1/2"-13 X 1-1/4" - QUAD OVENS |
| 48 | 8 | 21426-0004 | LOCKWASHER, 1/2" - QUAD OVENS |
| 49 | 8 | 21416-0003 | FLAT WASHER, 1/2" - QUAD OVENS |
| 50a | 2 | 22290-0009 | CASTER, SWIVEL WITH FLAT MOUNTING PLATE AND BRAKE - QUAD OVENS, FRONT |
| 50b | 2 | 22290-0010 | CASTER, SWIVEL WITH FLAT MOUNTING PLATE (WITHOUT BRAKE) - QUAD OVENS, REAR |
| 51 | 16 | 220373 | SCREW, HEX HD 3/8"-16 X 1" - QUAD OVENS |
| 52 | 16 | 21422-0001 | LOCKWASHER, 3/8" - QUAD OVENS |
| 53 | 16 | 21416-0001 | FLAT WASHER, 3/8" - QUAD OVENS |

**PS555 & PS570S
EUROPE**



V. CONTROL PANEL AND MACHINERY COMPARTMENT

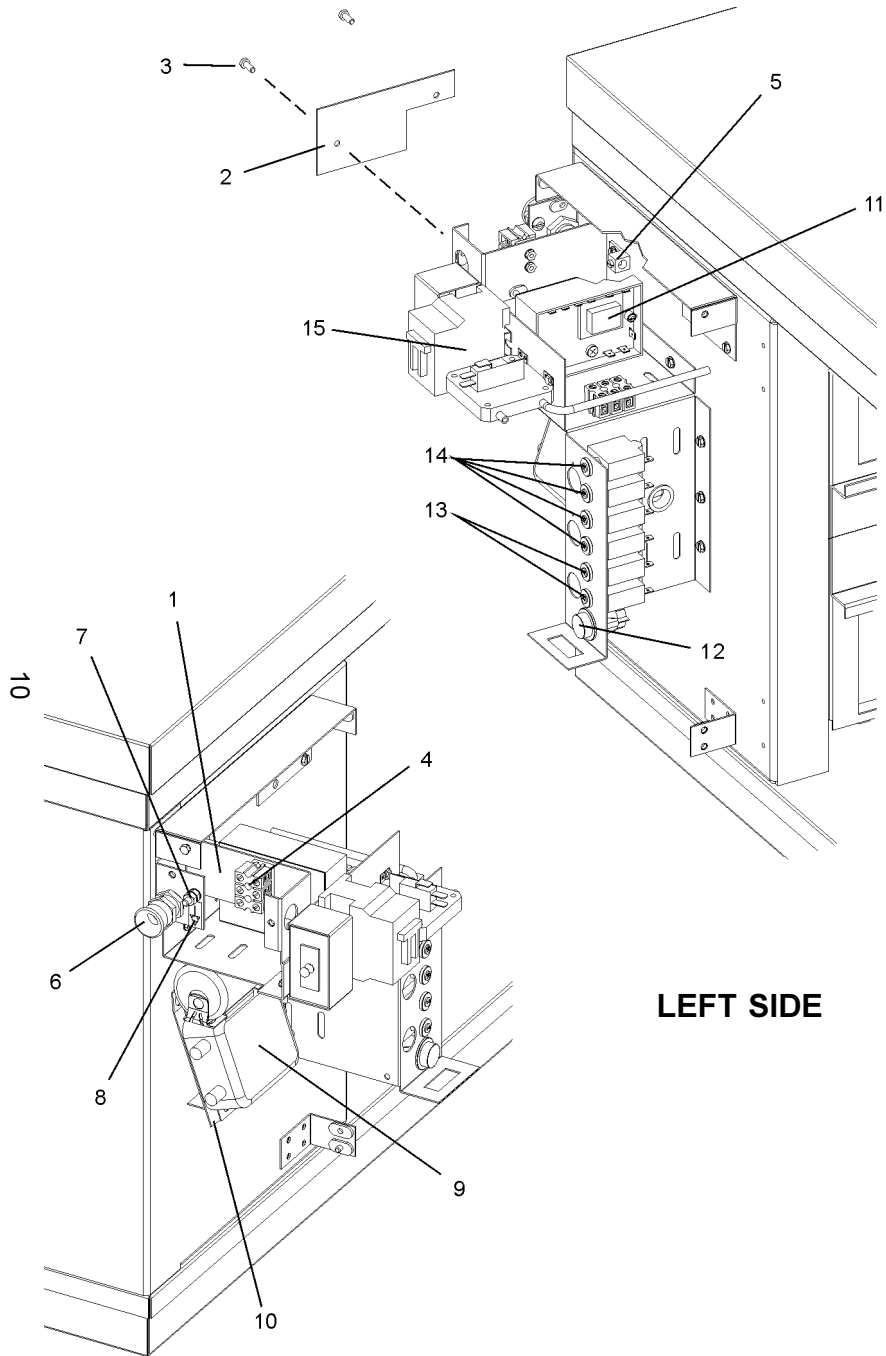
| ITEM | QTY. | P/N | DESCRIPTION |
|------|------|------------|--|
| 1a | 1 | 39467 | MACHINERY COMPARTMENT ACCESS PANEL, PS570S, WITHOUT COMPONENTS |
| 1b | 1 | 41581 | MACHINERY COMPARTMENT ACCESS PANEL, PS555, WITHOUT COMPONENTS |
| 2 | 1 | 42977 | LABEL, WIRING DIAGRAM |
| 3 | 1 | 39464 | LABEL, CONTROL PANEL |
| 4 | 1 | 22500-0194 | LABEL, IGNITION RESET SWITCH |
| 5 | 1 | 22500-0021 | NAMEPLATE, "MIDDLEBY MARSHALL" |
| 6 | 2 | A6153 | SCREW, HEX HD 1/4"-20 X 1/2" |
| 7 | 2 | 97525 | COOLING FAN |
| 8 | 1 | 44421 | TRANSFORMER, 240Vp:24Vs 0.5 KVA |
| 9 | 1 | 37498 | AIR SWITCH |
| 10 | 1 | 39052 | KIT, IGNITION MODULE |
| 11 | 1 | 31651 | AMPLIFIER, MODULATING VALVE |
| 12 | 3 | 42503 | CONTACT BLOCK WITH BASE |
| 13 | 1 | 28201-0016 | SWITCH, LIGHTED IGNITION RESTART |

| ITEM | QTY. | P/N | DESCRIPTION |
|------|------|------------|---|
| 14 | 3 | 37168 | SELECTOR SWITCH WITH KNOB |
| -- | 1 | 37337 | KIT, CONVEYOR SPEED CONTROLLER WITH SELECTOR AND DIGITAL DISPLAY (INC. ITEMS 15-16) |
| 15 | 1 | 37504 | SPEED CONTROL MODULE ONLY |
| 16 | 1 | 37503 | DIGITAL DISPLAY |
| 17 | 1 | 36939 | KIT, DIGITAL TEMPERATURE CONTROLLER |
| 18 | 1 | 31504 | TRANSFORMER, 230Vp:120Vs 0.2 KVA |
| 19 | 2 | 28021-0047 | SAFETY SWITCH, MACHINERY COMPARTMENT ACCESS PANEL |
| 20 | 1 | 42501 | CIRCUIT BREAKER, 2A |
| 21 | 2 | 27470-0004 | GRILL, COOLING FAN |

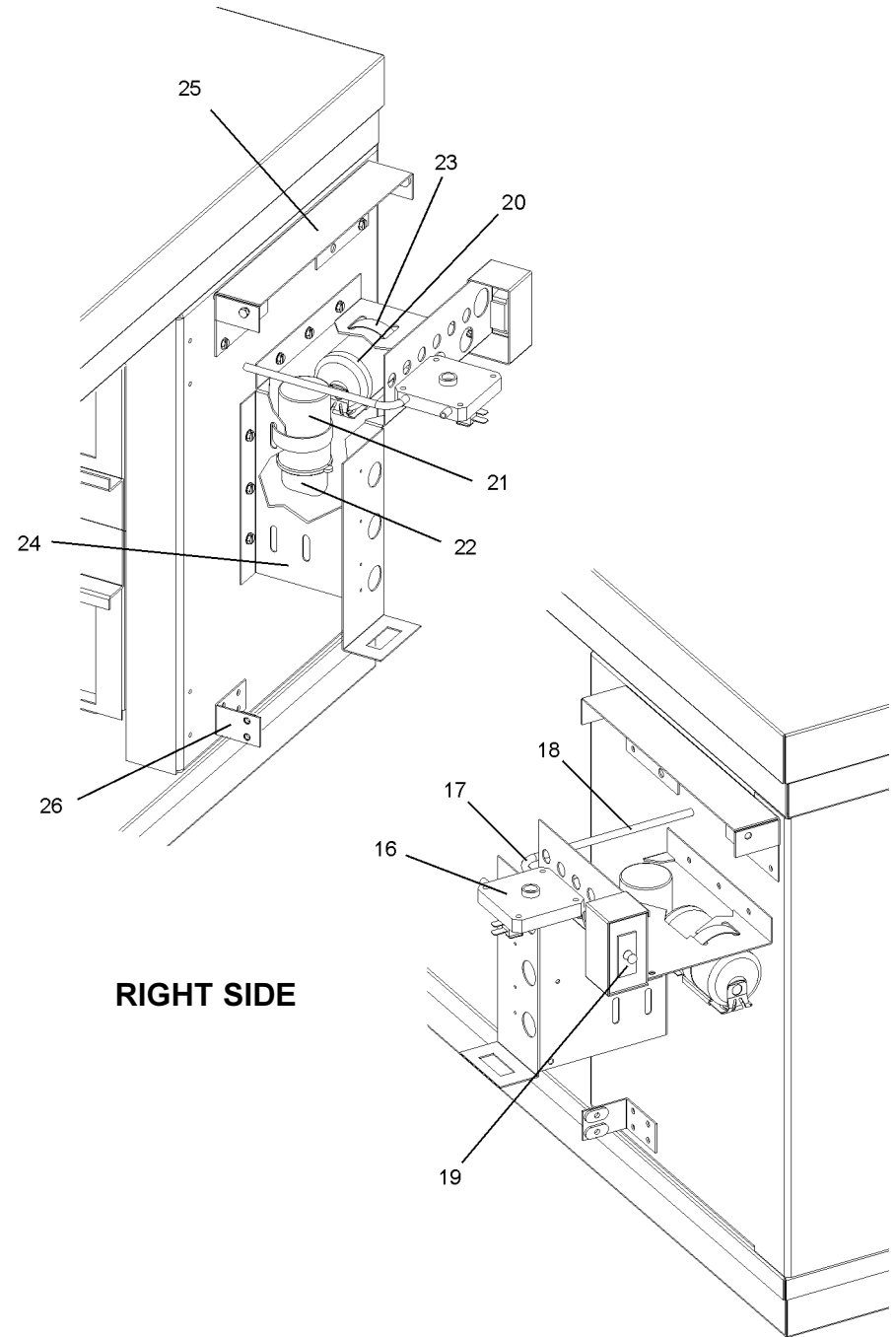
NOT SHOWN:

| | | | |
|----|---|-------|---------------------------|
| -- | 2 | 37842 | FILTER, FOAM, COOLING FAN |
| -- | 2 | 33984 | KIT, THERMOCOUPLE |

6



LEFT SIDE



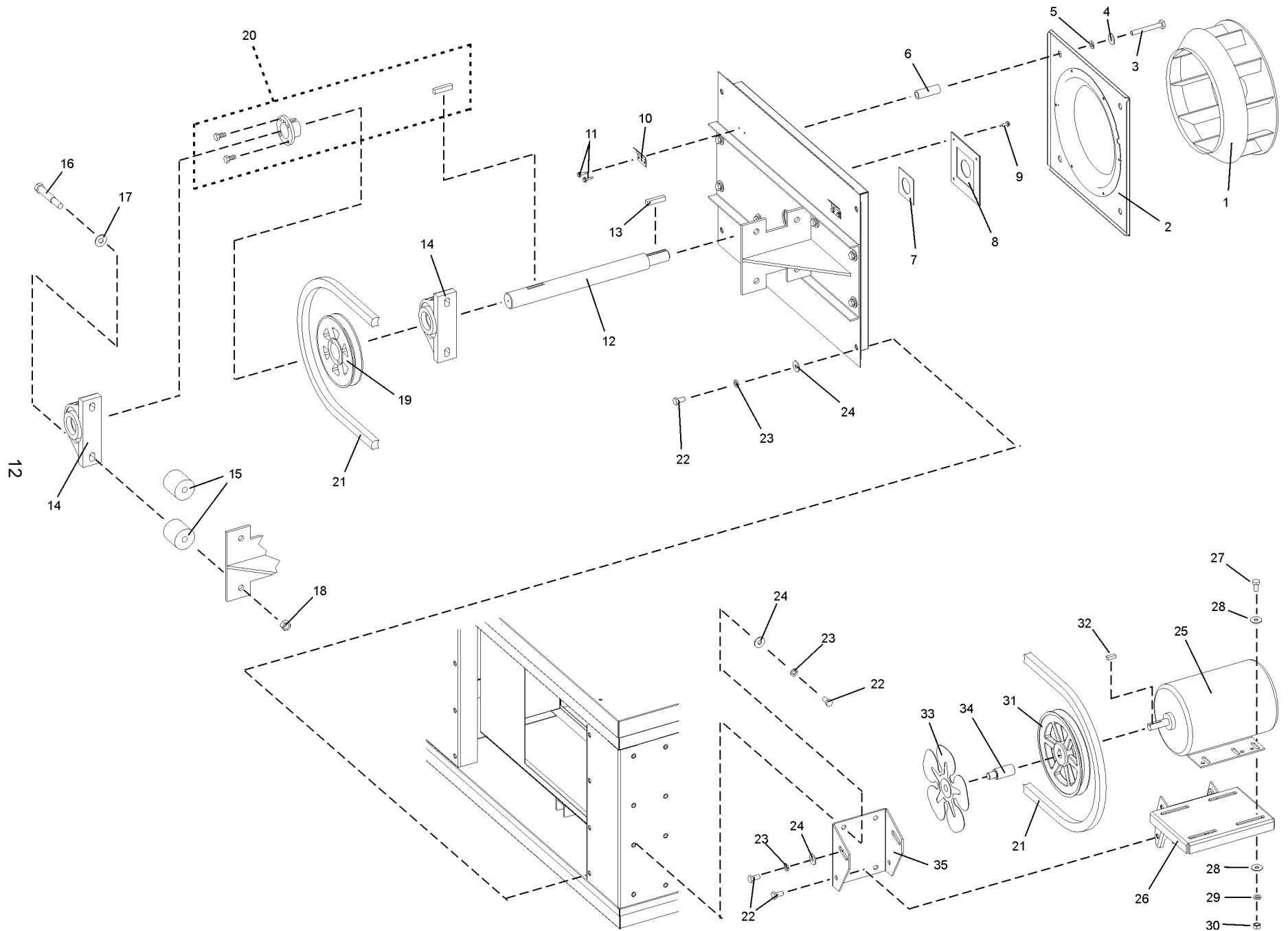
RIGHT SIDE

VI. SIDE COMPARTMENTS

| ITEM | QTY. | P/N | DESCRIPTION |
|------|------|------------|---|
| 1 | 1 | 44463 | ELECTRICAL JUNCTION BOX |
| 2 | 1 | 44392 | COVER, ELECTRICAL JUNCTION BOX |
| 3 | 2 | 4111A8815S | SCREW, HEX HD #10-32 X 1/2" |
| 4 | 2 | 44390 | TERMINAL BLOCK, 3-POLE |
| 5 | 1 | 31589 | GROUND LUG |
| 6 | 1 | 33412 | STRAIN RELIEF |
| 7 | 1 | 36430 | ASSEMBLY, EQUIPOTENTIAL GROUND (<i>INCLUDES ITEM 8</i>) |
| 8 | 1 | 36244 | LABEL, EQUIPOTENTIAL GROUND |
| 9 | 1 | 33813 | RFI FILTER |
| 10 | 1 | 43188 | MOUNTING BRACKET, RFI FILTER |
| 11 | 1 | 33983 | HIGH LIMIT CONTROL MODULE, 240V |
| 12 | 1 | 35145 | RESET BUTTON, HIGH LIMIT, 240V |
| 13 | 2 | 42501 | CIRCUIT BREAKER, 2A |
| 14 | 4 | 41835 | CIRCUIT BREAKER, 15A |

| ITEM | QTY. | P/N | DESCRIPTION |
|------|------|------------|--|
| 15 | 1 | 28041-0011 | CONTACTOR |
| 16 | 2 | 37498 | AIR SWITCH |
| 17 | A/R | 22450-0297 | TUBING, SILICONE BULK 1/4"/6.4mm O.D. |
| 18 | A/R | 15125-0002 | TUBING, ALUMINUM BULK 1/4"/6.4mm O.D. |
| 19 | 2 | 28021-0047 | SAFETY SWITCH, BLOWER MOTOR SHROUD |
| 20a | 2 | 44469 | ASSEMBLY, START CAPACITOR (BLACK) - INCLUDES BRACKET AND END CAP |
| 20b | 2 | 27170-0269 | START CAPACITOR (BLACK) - WITHOUT BRACKET OR END CAP |
| 21 | 2 | 27170-0270 | CAPACITOR, RUN (SILVER) |
| 22 | 2 | 44465 | INSULATOR CAP, RUN CAPACITOR |
| 23 | 4 | 22450-0259 | HOSE CLAMP |
| 24 | 2 | 41668 | MOUNTING BRACKET, SIDE COMPARTMENT COMPONENTS |
| 25 | 2 | 43102 | MOUNTING BRACKET, BLOWER MOTOR SHROUD, TOP |
| 26 | 2 | 43126 | MOUNTING BRACKET, BLOWER MOTOR SHROUD, BOTTOM |

11



VII. BLOWER ASSEMBLIES AND BLOWER MOTORS

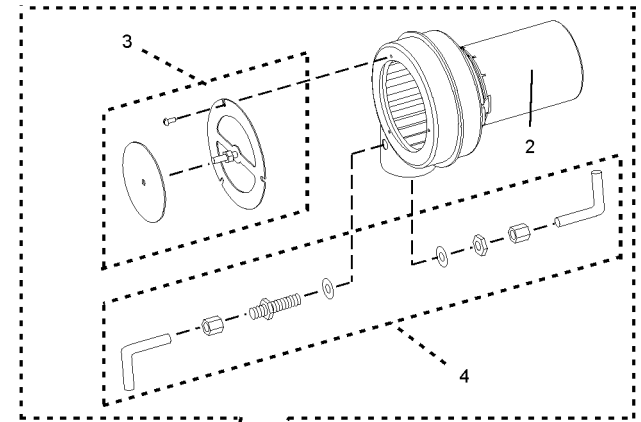
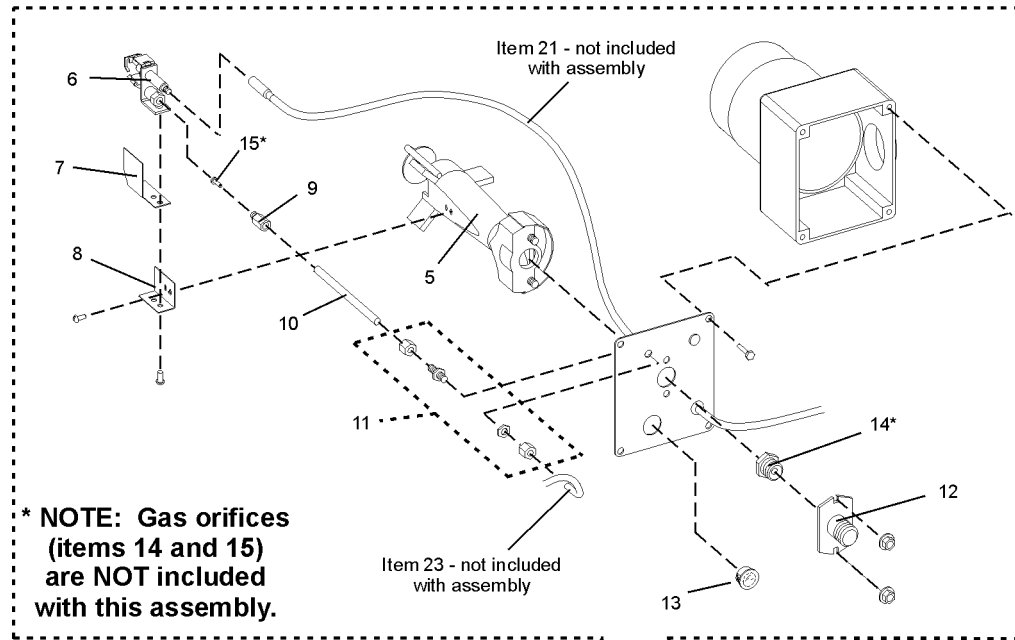
NOTE: The quantities shown below are for a single blower assembly.

| ITEM | QTY. | P/N | DESCRIPTION |
|------|------|------------|------------------------------------|
| 1a | 1 | 22521-0005 | BLOWER WHEEL - CCW, DRIVE END |
| 1b | 1 | 22521-0006 | BLOWER WHEEL - CW, IDLER END |
| 2 | 1 | 37210-0124 | PLATE, INLET RING |
| 3 | 4 | 21211-0001 | SCREW, CAP HEX HD 3/8"-16 X 3" |
| 4 | 4 | 21416-0001 | FLAT WASHER, 3/8" |
| 5 | 4 | 21422-0001 | LOCKWASHER, SPLIT, 3/8" |
| 6 | 4 | 35210-0576 | SPACER |
| 7 | 1 | 35210-0541 | SHAFT SEAL, TEFLON |
| 8 | 1 | 37210-0101 | PLATE, SHAFT SEAL INNER |
| 9 | 4 | 21292-0001 | SCREW, HEX WSHR HD #10-16 X 3/4" |
| 10 | 2 | 35000-1622 | HANGER, REAR SHROUD |
| 11 | 4 | 21292-0001 | SCREW, HEX WSHR HD #10-16 X 3/4" |
| 12 | 1 | 41899 | SHAFT, BLOWER |
| 13 | 1 | 35210-0286 | KEY, BLOWER WHEEL |
| 14 | 2 | 22072-0017 | BEARING |
| 15 | 4 | 39411 | SPACER, BEARING |
| 16 | 4 | 21322-0014 | SCREW, CAP HEX HD 1/2"-13 X 3-1/2" |
| 17 | 4 | A6235 | FLAT WASHER, 7/16" |
| 18 | 4 | 21121-0013 | HEX NUT, 1/2"-13 |
| 19 | 1 | 39587 | PULLEY, BK70 |

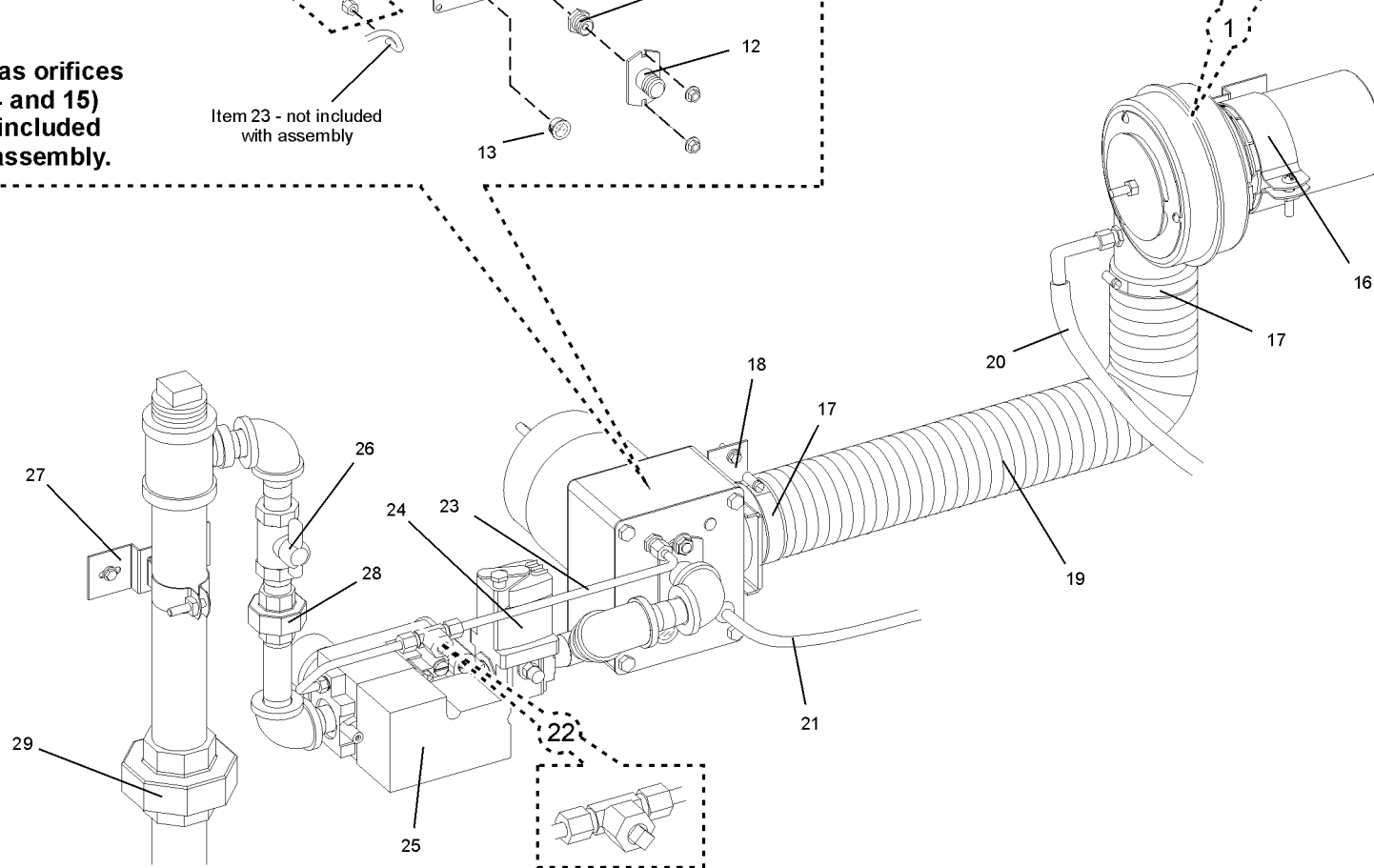
13

| ITEM | QTY. | P/N | DESCRIPTION |
|------|------|------------|---|
| 20 | 1 | 22031-0018 | BUSHING, SPLIT, 1-7/16" I.D. (INC. KEY AND 2 BOLTS) |
| 21a | 1 | 42498 | BELT, B68 (PS570S) |
| 21b | 1 | 42662 | BELT, B62 (PS555) |
| 22 | 12 | 1513D8805 | SCREW, CAP HEX HD 3/8"-16 X 3/4" |
| 23 | 10 | 21422-0001 | LOCKWASHER, SPLIT 3/8" |
| 24 | 10 | 21416-0001 | FLAT WASHER, 3/8" |
| 25 | 1 | 27381-0069 | MOTOR, BLOWER, 1 HP |
| 26 | 1 | 41666 | BRACKET, MOTOR MOUNTING |
| 27 | 4 | A3896 | SCREW, CAP HEX HD 5/16"-18 X 1" |
| 28 | 8 | 3023A8807 | FLAT WASHER, 5/16" |
| 29 | 4 | 21421-0004 | LOCKWASHER, SPLIT 5/16" |
| 30 | 4 | B10012 | HEX NUT, 5/16"-18 |
| 31a | 1 | 39587 | PULLEY, BK70 |
| 31b | 1 | 39586 | PULLEY, BK80 |
| 32 | 1 | 220026 | KEY, PULLEY 3/16" x 3/16" X 3/4" (5x5x19mm) |
| 33 | 1 | 43024 | EXTENDER, FAN |
| 34a | 1 | 27399-0008 | FAN BLADE, CW |
| 34b | 1 | 27399-0009 | FAN BLADE, CCW |
| 35 | 1 | 41667 | BRACKET, MOTOR SUPPORT |

**PS555 & PS570S
EUROPE**



14

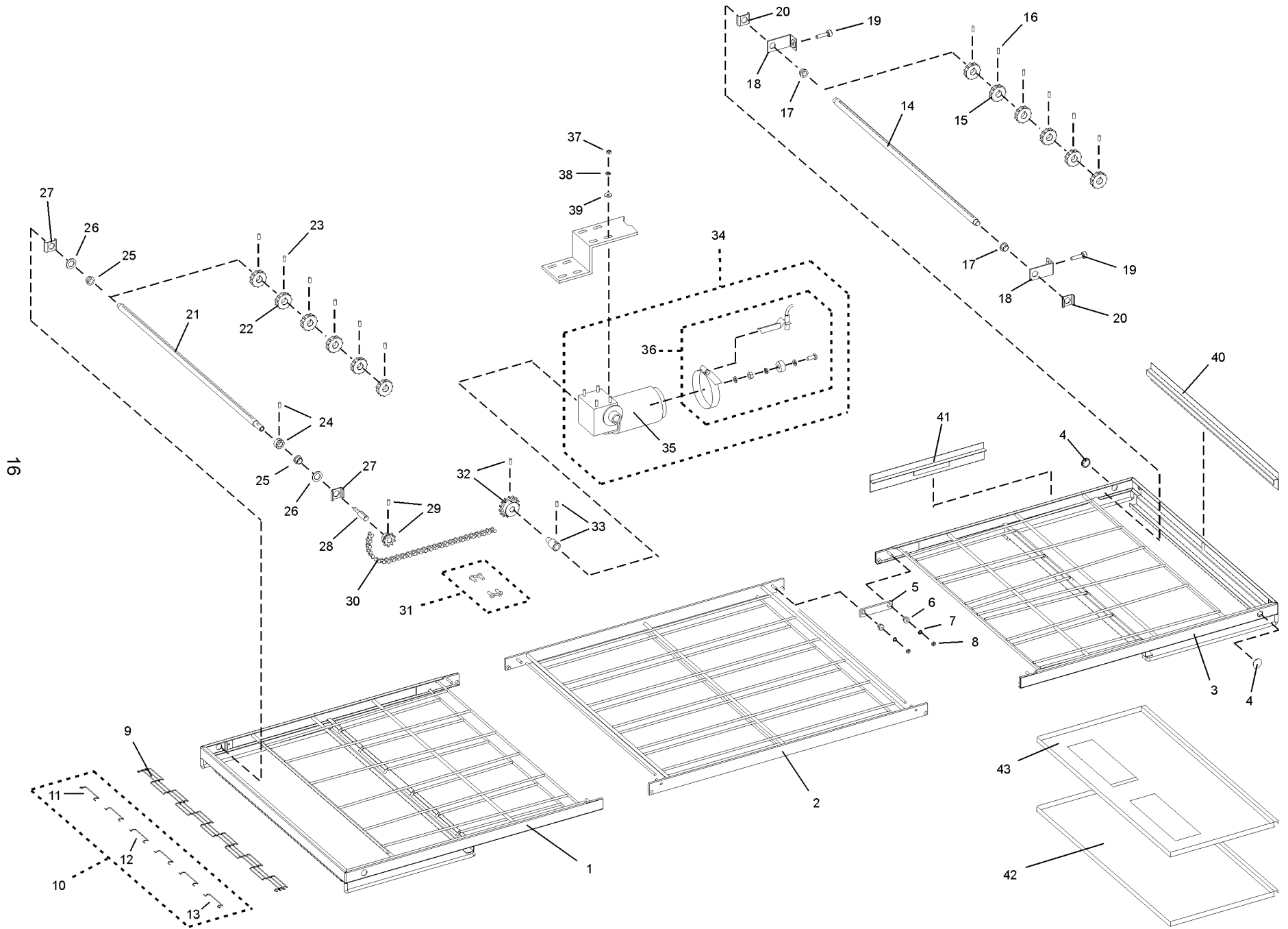


VIII. GAS BURNER SYSTEM

| ITEM | QTY. | P/N | DESCRIPTION |
|------|------|------------|--|
| -- | 1 | 38126 | ASSEMBLY, BURNER <i>(INCLUDES ITEMS 1-13)</i> |
| 1 | 1 | 38811 | ASSEMBLY, BURNER BLOWER AND MOTOR <i>(INCLUDES ITEMS 2-4)</i> |
| 2 | 1 | -- | BLOWER AND MOTOR |
| 3 | 1 | 42810-0087 | KIT, EXTERNAL AIR SHUTTER |
| 4 | 1 | 42400-0640 | KIT, PILOT TUBE |
| 5 | 1 | 38127 | VENTURI |
| 6 | 1 | 42810-0117 | PILOT WITH IGNITOR |
| 7 | 1 | 27170-0204 | PILOT SHIELD |
| 8 | 1 | 27170-0264 | BRACKET, PILOT MOUNTING |
| 9 | 1 | 38284 | FITTING, PILOT TUBING |
| 10 | A/R | 15125-0002 | TUBING, ALUMINUM, 1/4"/6.4mm O.D. |
| 11 | 1 | 36920 | FITTING, BULKHEAD |
| 12 | 1 | 38279 | ORIFICE HOLDER/INLET CONNECTOR |
| 13 | 1 | 38280 | WINDOW PLUG |
| 14a | 1 | 43059 | MAIN ORIFICE, PS555 NATURAL GAS, 5.79mm |
| 14b | 1 | 43060 | MAIN ORIFICE, PS555 PROPANE, 3.58mm |
| 14a | 1 | 22176-0014 | MAIN ORIFICE, PS570S NATURAL GAS, 6.35mm |
| 14b | 1 | 22176-0015 | MAIN ORIFICE, PS570S PROPANE, 3.84mm |

15

| ITEM | QTY. | P/N | DESCRIPTION |
|------|------|------------|--|
| 15a | 1 | 22174-0011 | PILOT ORIFICE, NATURAL GAS, 0.635mm |
| 15b | 1 | 22174-0010 | PILOT ORIFICE, PROPANE, 0.381mm |
| 16 | 1 | 39582 | BRACKET, MOTOR MOUNTING |
| 17 | 2 | 22450-0259 | HOSE CLAMP |
| 18 | 1 | 37210-0026 | BRACKET, HOSE AND BURNER MOUNTING |
| 19 | 1 | 22450-0255 | AIR DUCT, FLEXIBLE |
| 20 | A/R | 38290 | TUBING, SILICONE RUBBER, 1/4"/6.4mm DIA. |
| 21 | 1 | 27159-0019 | IGNITION/SENSOR WIRE |
| 22 | 1 | 30185 | KIT, PILOT TEE 1/4"/6.4mm |
| 23 | A/R | 15125-0002 | TUBING, ALUMINUM, 1/4"/6.4mm O.D. |
| 24 | 1 | 41647 | VALVE, MODULATING GAS, M420, 1/2" |
| 25 | 1 | 28092-0020 | MULTIFUNCTION GAS VALVE |
| 26 | 1 | 23115-0009 | VALVE, SHUTOFF 1/2" |
| 27 | 1 | 41649 | BRACKET, PIPE MOUNTING 1-1/4" |
| 28 | 1 | 23051-0003 | UNION, PIPE 1/2" |
| 29 | 1 | 23051-0012 | UNION, PIPE 1-1/4" |

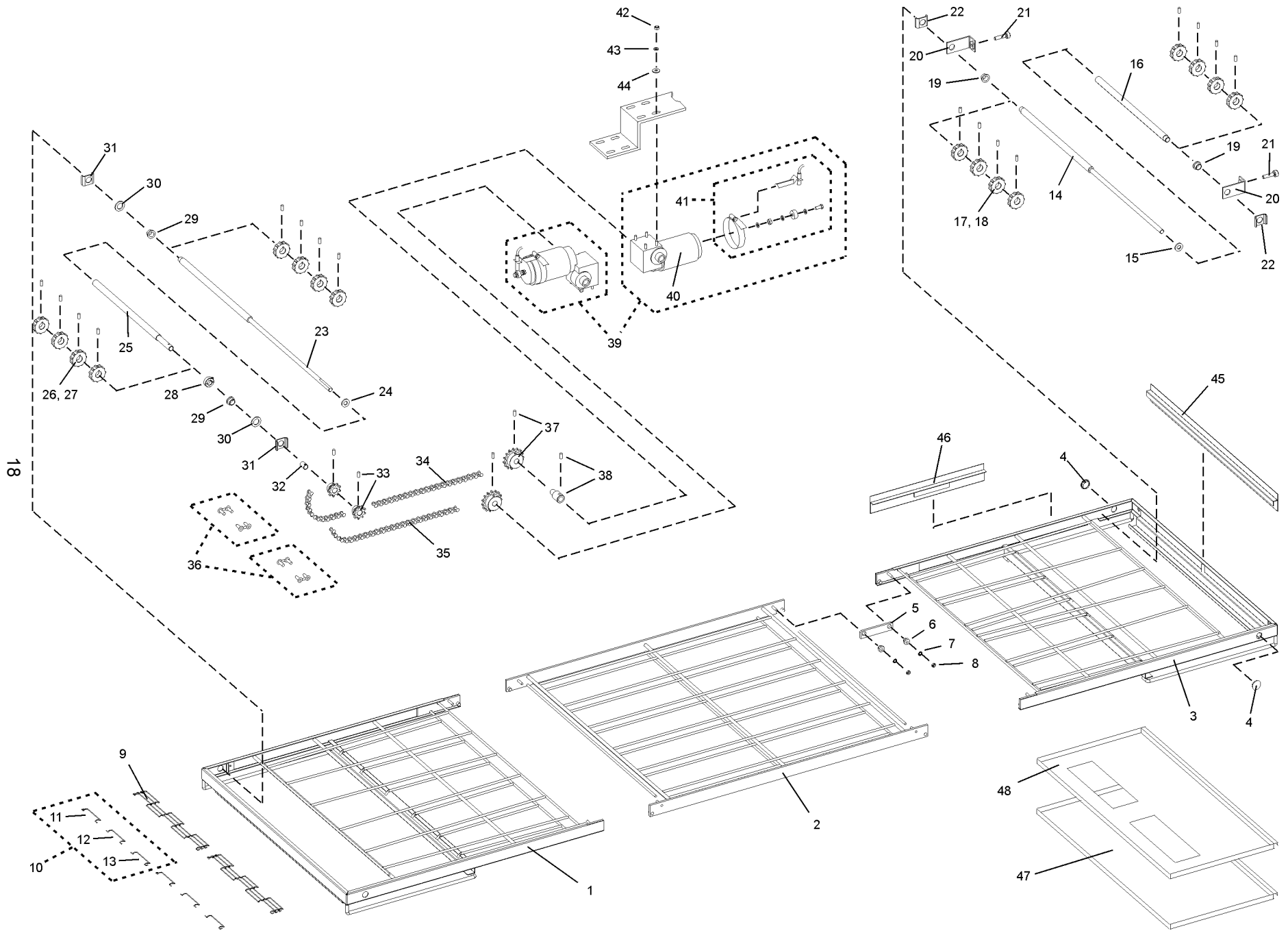


IX. CONVEYOR - SINGLE-BELT OVENS

| ITEM | QTY. | P/N | DESCRIPTION |
|------|------|------------|---|
| 1a | 1 | 39580 | WELDMENT, CONVEYOR DRIVE FRAME, PS570S |
| 1b | 1 | 42518 | WELDMENT, CONVEYOR DRIVE FRAME, PS555 |
| 2 | 1 | 37210-0046 | WELDMENT, CONVEYOR CENTER FRAME |
| 3a | 1 | 39581 | WELDMENT, CONVEYOR IDLER FRAME, PS570S |
| 3b | 1 | 42518 | WELDMENT, CONVEYOR IDLER FRAME, PS555 |
| 4 | 2 | 27413-0002 | PLUG, 3/4" (19mm) DIA. (PS555 ONLY) |
| 5 | 4 | 35210-0429 | PIVOT PLATE |
| 6 | 8 | 35210-0491 | BUSHING, CONVEYOR ADJUSTMENT |
| 7 | 8 | F716A8805 | WASHER, EXTERNAL TOOTH 1/4" |
| 8 | 8 | 21176-0001 | LOCKNUT, HEX 1/4"-20 |
| 9a | 1 | 22450-0265 | CONVEYOR BELT, PS570S COMPLETE, 32"W x 204"L (0.81 X 5.18m) |
| 9b | 1 | 22450-0002 | CONVEYOR BELT, PS555 COMPLETE, 32"W x 174"L (0.81 X 4.42m) |
| 9c | -- | 33900-0032 | CONVEYOR BELT, 32"W x 12"L (0.81 X 0.30m) |
| 10 | 1 | 42400-0089 | MASTER LINKS KIT, 32" (0.81m) BELT (INC. ITEMS 11-13) |
| 11 | 1 | -- | MASTER LINK, LEFT |
| 12 | 4 | -- | MASTER LINK, CENTER |
| 13 | 1 | -- | MASTER LINK, RIGHT |
| 14 | 1 | 35000-1011 | SHAFT, IDLER |
| 15 | 6 | 22229-0003 | SPROCKET, CONVEYOR BELT (INC. ITEM 16) |
| 16 | 6 | 21276-0039 | SET SCREW, CONVEYOR BELT SPROCKET, 1/4"-28 X 3/8" (INC. WITH ITEM 15) |
| 17 | 2 | 22034-0003 | BUSHING, BRONZE 3/4" O.D. X 5/8" I.D. |
| 18 | 2 | 37000-0413 | BRACKET, IDLER SHAFT ADJUSTMENT |
| 19 | 2 | 35000-1008 | SCREW, CONVEYOR TENSION ADJUSTMENT |
| 20 | 2 | 35900-0020 | BRACKET, SHAFT SUPPORT |
| 21 | 1 | 35000-1012 | SHAFT, DRIVE |

| ITEM | QTY. | P/N | DESCRIPTION |
|------|------|------------|--|
| 22 | 6 | 22229-0003 | SPROCKET, CONVEYOR BELT (INC. ITEM 23) |
| 23 | 6 | 21276-0039 | SET SCREW, CONVEYOR BELT SPROCKET, 1/4"-28 X 3/8" (INC. WITH ITEM 22) |
| 24 | 1 | 22011-0013 | COLLAR, SHAFT, WITH SET SCREW |
| 25 | 2 | 22034-0003 | BUSHING, BRONZE 3/4" O.D. X 5/8" I.D. |
| 26 | 2 | 35000-1080 | SPACER, NYLON 1-1/4" O.D. X 3/4" I.D. |
| 27 | 2 | 35900-0020 | BRACKET, SHAFT SUPPORT |
| 28 | 1 | 35000-1013 | ADAPTER, DRIVE SHAFT |
| 29 | 1 | 22152-0017 | SPROCKET, DRIVE SHAFT, 5/8" BORE, 9T, WITH SET SCREW |
| 30 | 1 | 42400-0164 | ASSEMBLY, ROLLER CHAIN COMPLETE (62 LINKS) |
| 31 | 1 | 22273-0001 | MASTER LINK, ROLLER CHAIN |
| 32 | 1 | 22152-0018 | SPROCKET, DRIVE MOTOR, 5/8" BORE, 15T, WITH SET SCREW |
| 33 | 1 | 35210-0640 | ADAPTER, DRIVE MOTOR, WITH SET SCREW |
| 34 | 1 | 42400-0414 | ASSEMBLY, DRIVE MOTOR AND PICKUP (INC. ITEMS 35-36) |
| 35 | 1 | 27384-0008 | DRIVE MOTOR, 1/8 HP, 1400:1 |
| -- | 2 | 22450-0052 | BRUSHES, DRIVE MOTOR |
| 36 | 1 | 27170-0263 | ASSEMBLY, PICKUP, DRIVE MOTOR |
| 37 | 4 | 21411-0003 | FLAT WASHER, 1/4" |
| 38 | 4 | 21426-0002 | LOCKWASHER, 1/4" |
| 39 | 4 | 21126-0009 | HEX NUT, 1/4"-20 |
| 40 | 1 | 35000-1103 | END STOP, CONVEYOR |
| 41 | 1 | 35900-0148 | REAR STOP, CONVEYOR |
| 42a | 2 | 30003 | CRUMB PAN, ALUMINIZED (WITHOUT OPENINGS - FOR LOWER OVEN CAVITY ONLY) |
| 42b | 2 | 35210-0262 | CRUMB PAN, STAINLESS STEEL (WITHOUT OPENINGS - FOR LOWER OVEN CAVITIES ONLY) |
| 43a | 2 | 30004 | CRUMB PAN, ALUMINIZED (WITH OPENINGS - FOR ALL UPPER OVEN CAVITIES) |
| 43b | 2 | 35210-0179 | CRUMB PAN, STAINLESS STEEL (WITH OPENINGS - FOR ALL UPPER OVEN CAVITIES) |

17



X. CONVEYOR - SPLIT-BELT OVENS

| ITEM QTY. | P/N | DESCRIPTION | ITEM QTY. | P/N | DESCRIPTION | | |
|-----------|-----|---------------|---|-----|-------------|------------|--|
| 1a | 1 | 39580 | WELDMENT, CONVEYOR DRIVE FRAME, PS570S | 25 | 1 | 35000-1536 | SHAFT, DRIVE, FRONT |
| 1b | 1 | 42518 | WELDMENT, CONVEYOR DRIVE FRAME, PS555 | 26 | 8 | 22229-0003 | SPROCKET, CONVEYOR BELT (INC. ITEM 27) |
| 2 | 1 | 37210-0046 | WELDMENT, CONVEYOR CENTER FRAME | 27 | 8 | 21276-0039 | SET SCREW, CONVEYOR BELT SPROCKET, 1/4"-28 X 3/8" (INC. WITH ITEM 26) |
| 3a | 1 | 39581 | WELDMENT, CONVEYOR IDLER FRAME, PS570S | 28 | 1 | 22011-0014 | COLLAR, SPLIT LOCKING |
| 3b | 1 | 42518 | WELDMENT, CONVEYOR IDLER FRAME, PS555 | 29 | 2 | 22034-0003 | BUSHING, BRONZE 3/4" O.D. X 5/8" I.D. |
| 4 | 2 | 27413-0002 | PLUG, 3/4" (19mm) DIA. (PS555 ONLY) | 30 | 2 | 35000-1080 | SPACER, NYLON 1-1/4" O.D. X 3/4" I.D. |
| 5 | 4 | 35210-0429 | PIVOT PLATE | 31 | 2 | 35900-0020 | BRACKET, SHAFT SUPPORT |
| 6 | 8 | 35210-0491 | BUSHING, CONVEYOR ADJUSTMENT | 32 | 1 | 35000-1537 | BUSHING, SPLIT BELT DRIVE SPROCKET |
| 7 | 8 | F716A8805 | WASHER, EXTERNAL TOOTH 1/4" | 33 | 2 | 22152-0017 | SPROCKET, DRIVE SHAFT, 5/8" BORE, 9T, WITH SET SCREW |
| 8 | 8 | 21176-0001 | LOCKNUT, HEX 1/4"-20 | 34 | 1 | 42400-0164 | ASSEMBLY, ROLLER CHAIN COMPLETE (62 LINKS) |
| 9a | 2 | 22450-0271 | CONVEYOR BELT, PS570S COMPLETE, 15"W x 204"L (0.38 X 5.18m) | 35 | 1 | 42410-0128 | ASSEMBLY, ROLLER CHAIN COMPLETE (48 LINKS) |
| 9b | 2 | 22450-0094 | CONVEYOR BELT, PS555 COMPLETE, 15"W x 174"L (0.38 X 4.42m) | 36 | 2 | 22273-0001 | MASTER LINK, ROLLER CHAIN |
| 19 9c | -- | 33900-0037 | CONVEYOR BELT, 15"W x 12"L (0.38 X 0.30m) | 37 | 2 | 22152-0018 | SPROCKET, DRIVE MOTOR, 5/8" BORE, 15T, WITH SET SCREW |
| 10 | 2 | NOT AVAILABLE | MASTER LINKS KIT, 15" (0.38m) BELT (INC. ITEMS 11-13) | 38 | 1 | 35210-0640 | ADAPTER, DRIVE MOTOR, WITH SET SCREW |
| 11 | 1 | -- | MASTER LINK, LEFT | 39 | 2 | 42400-0414 | ASSEMBLY, DRIVE MOTOR AND PICKUP (INC. ITEMS 40-41) |
| 12 | 1 | -- | MASTER LINK, CENTER | 40 | 1 | 27384-0008 | DRIVE MOTOR, 1/8 HP, 1400:1 |
| 13 | 1 | -- | MASTER LINK, RIGHT | -- | 2 | 22450-0052 | BRUSHES, DRIVE MOTOR |
| 14 | 1 | 42400-0354 | SHAFT, IDLER, REAR | 41 | 1 | 27170-0263 | ASSEMBLY, PICKUP, DRIVE MOTOR |
| 15 | 1 | 21415-0001 | FLAT WASHER, BRONZE, 1" O.D. X 1/2" I.D. | 42 | 8 | 21411-0003 | FLAT WASHER, 1/4" |
| 16 | 1 | 35000-1535 | SHAFT, IDLER, FRONT | 43 | 8 | 21426-0002 | LOCKWASHER, 1/4" |
| 17 | 8 | 22229-0003 | SPROCKET, CONVEYOR BELT (INC. ITEM 18) | 44 | 8 | 21126-0009 | HEX NUT, 1/4"-20 |
| 18 | 8 | 21276-0039 | SET SCREW, CONVEYOR BELT SPROCKET, 1/4"-28 X 3/8" (INC. WITH ITEM 17) | 45 | 1 | 35000-1103 | END STOP, CONVEYOR |
| 19 | 2 | 22034-0003 | BUSHING, BRONZE 3/4" O.D. X 5/8" I.D. | 46 | 1 | 35900-0148 | REAR STOP, CONVEYOR |
| 20 | 2 | 37000-0413 | BRACKET, IDLER SHAFT ADJUSTMENT | 47a | 2 | 30003 | CRUMB PAN, ALUMINIZED (WITHOUT OPENINGS - FOR LOWER OVEN CAVITY ONLY) |
| 21 | 2 | 35000-1008 | SCREW, CONVEYOR TENSION ADJUSTMENT | 47b | 2 | 35210-0262 | CRUMB PAN, STAINLESS STEEL (WITHOUT OPENINGS - FOR LOWER OVEN CAVITIES ONLY) |
| 22 | 2 | 35900-0020 | BRACKET, SHAFT SUPPORT | 48a | 2 | 30004 | CRUMB PAN, ALUMINIZED (WITH OPENINGS - FOR ALL UPPER OVEN CAVITIES) |
| 23 | 1 | 42400-0355 | SHAFT, DRIVE, REAR | 48b | 2 | 35210-0179 | CRUMB PAN, STAINLESS STEEL (WITH OPENINGS - FOR ALL UPPER OVEN CAVITIES) |
| 24 | 1 | 21415-0001 | FLAT WASHER, BRONZE, 1" O.D. X 1/2" I.D. | | | | |

**PS555 & PS570S
EUROPE**

WARNING

Improper installation, adjustment, alteration, service or maintenance can cause property damage, injury or death. Read the installation, operating and maintenance instructions thoroughly before installing or servicing this equipment.

NOTICE

During the warranty period, ALL parts replacement and servicing should be performed by your Middleby Marshall Authorized Service Agent. Service that is performed by parties other than your Middleby Marshall Authorized Service Agent may void your warranty.

NOTICE

Using any parts other than genuine Middleby Marshall factory manufactured parts relieves the manufacturer of all warranty and liability.

NOTICE

Middleby Marshall reserves the right to change specifications at any time.

Middleby Cooking Systems Group • 1400 Toastmaster Drive • Elgin, IL 60120 • USA • (847)741-3300 • FAX (847)741-4406

24-Hour Service Hotline: 1-(800)-238-8444

www.middleby.com



Free Manuals Download Website

<http://myh66.com>

<http://usermanuals.us>

<http://www.somanuals.com>

<http://www.4manuals.cc>

<http://www.manual-lib.com>

<http://www.404manual.com>

<http://www.luxmanual.com>

<http://aubethermostatmanual.com>

Golf course search by state

<http://golfingnear.com>

Email search by domain

<http://emailbydomain.com>

Auto manuals search

<http://auto.somanuals.com>

TV manuals search

<http://tv.somanuals.com>