

TROUBLE SHOOTING GUIDE		
TROUBLE	PROBABLE CAUSE	SOLUTION
Fan not working or Humidifier doesn't turn on	<ul style="list-style-type: none"> No power Humidistat not set correctly 	Make sure Unit is plugged in Check that the Power Switch is on Set Humidistat to higher humidity level
Water leaking	<ul style="list-style-type: none"> Base is overfilled Filter is old and dirty 	Reduce water level in Base Replace Filter
Foul odor	<ul style="list-style-type: none"> Filter needs to be replaced Base needs to be cleaned Whole Humidifier needs cleaning 	Replace Filter Follow <i>Cleaning Instructions</i> Follow <i>Cleaning Instructions</i>
Filter discoloration	<ul style="list-style-type: none"> Mineral deposits in water 	Replace Filter
Water discoloration	<ul style="list-style-type: none"> Humidifier needs to be cleaned Hard water - Iron in water Some humidifier additives can cause discoloration 	Follow <i>Cleaning Instructions</i> Use filtered or distilled water
Lights don't work:		
Humidistat Light Off, Power Light On	<ul style="list-style-type: none"> Humidity is not yet achieved in room 	Let Humidifier continue to run
Power Light Off, Humidistat Light On	<ul style="list-style-type: none"> Room has reached desired Humidity level 	Set Humidity Knob for more Humidity
No water show	<ul style="list-style-type: none"> Hose not connected to Pump Hose not connected to Water Show No Water in Unit 	Connect Hose to Pump Connect Hose to Water Show Refill Unit

LIMITED WARRANTY

WHAT THIS WARRANTY COVERS: This product is warranted against defects in workmanship and/or materials.

HOW LONG THIS WARRANTY LASTS: This warranty extends only to the original purchaser of the product and lasts for one (1) year from the date of original purchase or until the original purchaser of the product sells or transfers the product, whichever first occurs.

WHAT LASKO WILL DO: During the warranty period, Lasko will, at its sole option, repair or replace any part or parts that prove to be defective or replace the whole product with the same or comparable model.

WHAT THIS WARRANTY DOES NOT COVER: This warranty does not apply if the product was damaged or failed because of accident, improper handling or operation, shipping damage, abuse, misuse, unauthorized repairs made or attempted. This warranty does not cover shipping costs for the return of products to Lasko for repair or replacement. Lasko will pay return shipping charges from Lasko following warranty repairs or replacement.

ANY AND ALL WARRANTIES, EXPRESSED OR IMPLIED (INCLUDING, WITHOUT LIMITATION, ANY IMPLIED WARRANTY OF MERCHANTABILITY), LAST ONE YEAR FROM THE DATE OF ORIGINAL PURCHASE OR UNTIL THE ORIGINAL PURCHASER OF THE PRODUCT SELLS OR TRANSFERS THE PRODUCT, WHICHEVER FIRST OCCURS AND IN NO EVENT SHALL LASKO'S LIABILITY UNDER ANY EXPRESS OR IMPLIED WARRANTY INCLUDE (I) INCIDENTAL OR CONSEQUENTIAL DAMAGES FROM ANY CAUSE WHATSOEVER, OR (II) REPLACEMENT OR REPAIR OF ANY HOUSE FUSES, CIRCUIT BREAKERS OR RECEPTACLES. NOTWITHSTANDING ANYTHING TO THE CONTRARY, IN NO EVENT SHALL LASKO'S LIABILITY UNDER ANY EXPRESS OR IMPLIED WARRANTY EXCEED THE PURCHASE PRICE OF THE PRODUCT AND ANY SUCH LIABILITY SHALL TERMINATE UPON THE EXPIRATION OF THE WARRANTY PERIOD.

Some states and provinces do not allow limitations on how long an implied warranty lasts, or the exclusion or limitation of incidental or consequential damages, so these exclusions or limitations may not apply to you. This warranty gives you specific legal rights. You may also have other rights which vary from state to state and province to province.

Proof of purchase is required before a warranty claim will be accepted.

CUSTOMER SERVICE:

Toll-Free (800) 233-0268 · Email: producthelp@laskoproducts.com

Our Customer Service team is available to assist you with product questions, service center locations, and replacement parts. They can be reached Monday through Friday, 8am-5pm Eastern. Please have your model number available, as well as the type and style.

LASKO
Innovators in Home Comfort

EVAPORATIVE HIGH PERFORMANCE
RECIRCULATING CONSOLE HUMIDIFIER Model 1128

IMPORTANT SAFETY INSTRUCTIONS

READ AND SAVE THESE INSTRUCTIONS

Congratulations on your purchase of the Recirculating Console Humidifier. Featuring the unique use of pump driven water circulation, this unit provides exclusive features that no other humidifiers offer.

IMPORTANT INFORMATION and FEATURES

Your Recirculating Console Humidifier is an **EVAPORATIVE TYPE HUMIDIFIER**. This means that the air being drawn through the moistened filter naturally evaporates the water and disperses **INVISIBLE MOISTURE** into the air. This type of humidifier **DOES NOT PRODUCE MIST, WATER DROPLETS, STEAM OR EXCESSIVE CONDENSATION** associated with other types of humidifiers. **EXCESSIVE HUMIDITY CAN OFTEN LEAD TO UNANTICIPATED PROBLEMS.** Air containing water droplets or mist can create a good habitat for the growth of mold and mildew. Misting units often oversaturate the air, while the Lasko Recirculating Console Humidifier reaches a maximum humidity output level without oversaturating. With a properly operating Evaporative Humidifier, the evaporation rate increases naturally when the air is dry. When the humidity in your home is high, moisture output automatically decreases to help prevent damaging condensation. The Watershow Viewing Window provides a visible way for you to know that your Recirculating Console Humidifier is operating. As air passes over the filter, the humidity in the room will increase, and the water level in the Unit will begin to decrease. Unlike misting humidifiers, the Evaporative Filter in your Recirculating Console Humidifier also traps unwanted minerals that reside in normal tap water. This filtering also assures there is **NO WHITE DUST** dispersed into the air.

NOTE: A few droplets of water may be present in your humidifier as a result of our quality testing prior to packaging and shipment.

GENERAL SAFETY INFORMATION

When using electrical appliances, basic precautions should always be followed to reduce the risk of fire, electric shock and injury to persons, including the following:

- Make certain that the power source conforms to the electrical requirements of the Humidifier.
- Where possible, avoid the use of extension cords. If you must use an extension cord, minimize the risk of overheating by using the shortest cord possible and ensuring that it is UL Listed. NEVER use a single extension cord to operate more than one appliance.
- Do not insert fingers or foreign objects into the Humidifier. Do not block or tamper with the Humidifier in any manner while it is in operation. NEVER tilt or attempt to move the Humidifier while it is operating.
- Always unplug the Humidifier before filling, servicing or moving the Humidifier.

WARNING: DO NOT DEPEND ON THE ON/OFF KNOB AS THE SOLE MEANS OF DISCONNECTING POWER WHEN FILLING, SERVICING or MOVING THE HUMIDIFIER. ALWAYS UNPLUG THE POWER CORD.

5. This Humidifier is intended for general use only. It must NOT be used in potentially dangerous locations such as flammable, explosive, chemical-laden or wet atmospheres.

WARNING: REDUCE THE RISK OF FIRE OR ELECTRIC SHOCK - DO NOT USE THIS HUMIDIFIER WITH ANY SOLID STATE SPEED CONTROL DEVICES.

6. Always place the humidifier on a stable, flat level surface when operating, to avoid the risk of the Humidifier overturning. Locate the power cord so the Humidifier or other objects are not resting on it. Keep the power cord away from room traffic.

7. Do not place Humidifier near a heat source such as stoves, radiators or heaters.

This appliance has a polarized plug (one blade is wider than the other). To reduce the risk of electric shock, this plug is intended to fit in a polarized outlet only one way. **Match wide blade of plug to wide slot. Fully insert.** If the plug does not fit fully in the outlet, reverse the plug. If it still does not fit, contact a qualified electrician. **DO NOT attempt to defeat this safety feature.** This plug is a safety feature, to reduce the risk of fire, electric shock and personal injury. **DO NOT** remove, replace, repair or tamper with the originally supplied plug. If the Fan does not function properly, it may be due to the safety device incorporated in this plug. Return to an authorized service center or call 800-233-0268, Monday - Friday, between 8:00 a.m. and 5:00 p.m. EST. If the plug warning label is missing or damaged, call the toll free number for a replacement label.

8. Always direct air flow away from walls or furniture as excessive moisture may cause damage.

9. Humidifiers require regular cleaning to maintain proper operating conditions. Refer to **CLEANING** and **FILTER CARE** for proper cleaning procedures.

10. Do not place Humidifier on an electrical appliance.

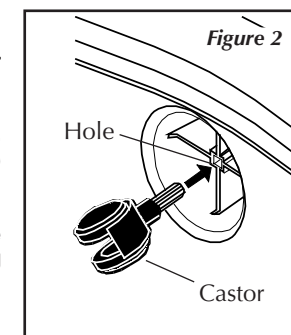
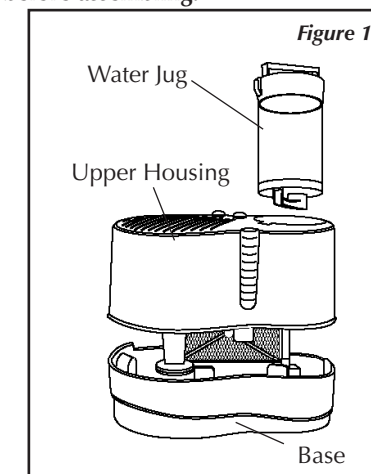
11. This Humidifier is not suitable for use in agricultural facilities including areas where livestock, poultry or other animals are confined. Please refer to National Electric Code (NEC) Article 547-7 (2008), or applicable state or local codes or standards relating to electrical requirements for Agricultural Buildings. **THIS HUMIDIFIER DOES NOT MEET THE REQUIREMENTS OF NEC ARTICLE 547-7 (2008).**

12. This Humidifier is not suitable for use in hazardous locations. Please refer to National Electric Code (NEC) Article 500 or applicable state or local codes or standards relating to electrical requirements for Hazardous locations. **THIS HUMIDIFIER DOES NOT MEET THE REQUIREMENTS OF NEC ARTICLE 500 (2008).**

ASSEMBLY

CAUTION: DO NOT fill unit before assembling.

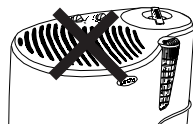
- Remove Water Jug then, Upper Housing from base of unit. (Figure 1)
- Lay base of unit on it's side so the bottom of the unit is facing you.
- Fully insert the four Castors into the holes in the bottom of the unit. (Figure 2)
- Replace Upper Housing, then Water Jug into unit.



DO NOT pour water into Grill. DO NOT spill water on Control Panel. Water should only be poured into the Unit using the Jug.

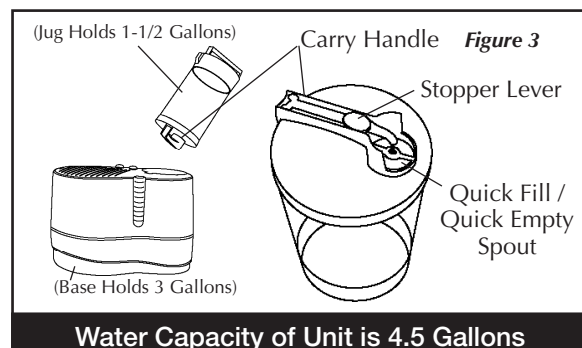
FILLING and OPERATION

CAUTION: Do not pour water through the Exhaust Grill on the Upper Housing. Doing so may cause damage and personal injury.



- CAUTION:**
- **Unplug Unit when filling.**
 - Always place Humidifier on a firm level surface. Locate the Power Cord so the Humidifier is not resting on it, and is away from traffic.
 - Be careful not to overfill.
 - **Do not pour water through Exhaust Grill,** doing so may cause damage and personal injury.
 - Take extra care to prevent water spillage that may damage furniture or flooring. The manufacturer will not accept responsibility for damage to property caused by water spillage.
 - Always be sure the Power Knob is in the **OFF** position when plugging Humidifier into a grounded 120 volt AC wall outlet.
 - To prevent risk of electrical shock and injury to persons, do not plug Humidifier into electrical outlet with wet hands.

1. It is recommended that all Humidifiers be cleaned prior to use. Please read **Cleaning Instructions** for Base and Jug cleaning.
2. Use the convenient Carrying Handle found on the bottom of the Water Jug to bring it to a faucet. The Water Jug features a 'Quick Fill/Quick Empty' Spout. To fill, hold Jug upside down by the Handle. Use thumb to press down Stopper Lever, and fill Jug. Fill the Water Jug with cool tap water. **Never use hot water.** (Figure 3)



When the Jug is replaced back into the Base it will quickly empty to fill Base.

NOTE: While carrying filled Water Jug back to the Humidifier, hold the Handle with one hand, while supporting bottom of Water Jug with other hand.

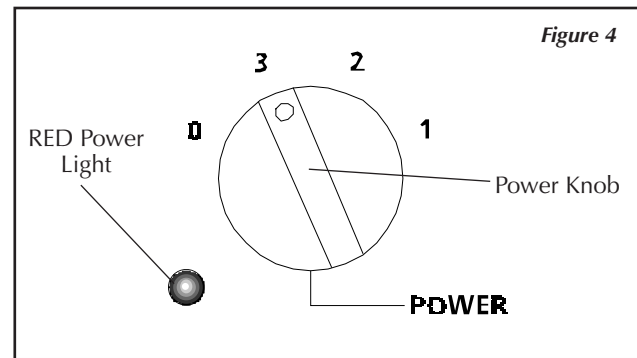
3. Place the Water Jug securely in the Base. If positioned properly, water will quickly pour into Base and automatically stop when reaching desired amount.
4. When gurgling noise stops lift up the Water Jug to see if it is empty. Refill if empty. When the Unit is full some water will remain in the Jug.
5. Even though your Humidifier will produce approximately 9.0 gallons in a 24 hour period*, the water capacity (amount of water the Humidifier will hold at one time) is 4.5 gallons. (3 FULL Jugs).

6. Turn Power **ON** to desired speed. (Figure 4)

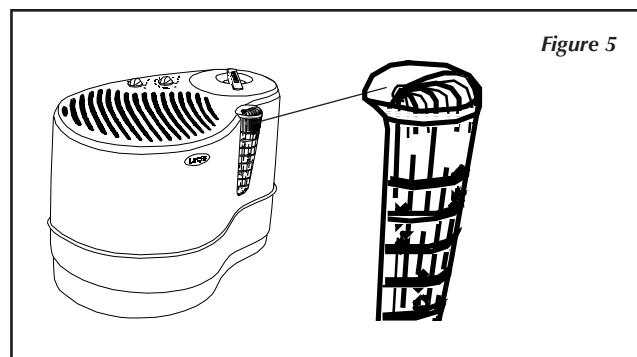
- 3 - For fast humidification of a large room or house, approximately 9 gallon per day.*
- 2 - For normal operation.
- 1 - For quiet, night time operation or after desired moisture level is reached.

* Calculations based on ambient room conditions of 70° F and 30% relative humidity in a room of average insulation.

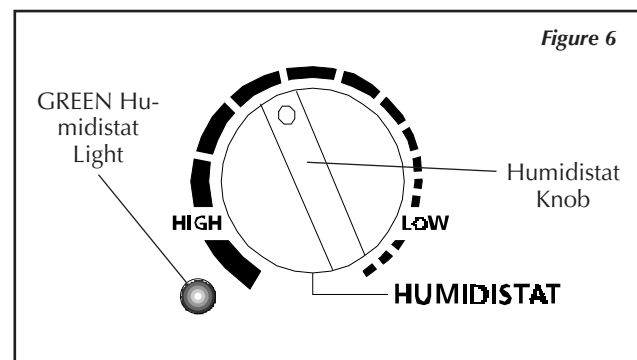
NOTE: Power Light and Fan are on only when the Humidistat is turned to a high enough moisture setting.



The presence of water flow in the Water Show Window indicates the circulation of water to the Filter. (Figure 5)



7. To set Humidistat to desired level turn Knob towards HIGH until the power is ON. After the room has reached a comfortable humidity level, turn the Humidistat Knob slowly towards LOW until the fan shuts off and the Green Light turns on, the Humidifier will automatically restart when humidity falls below this setting. (Figure 6)



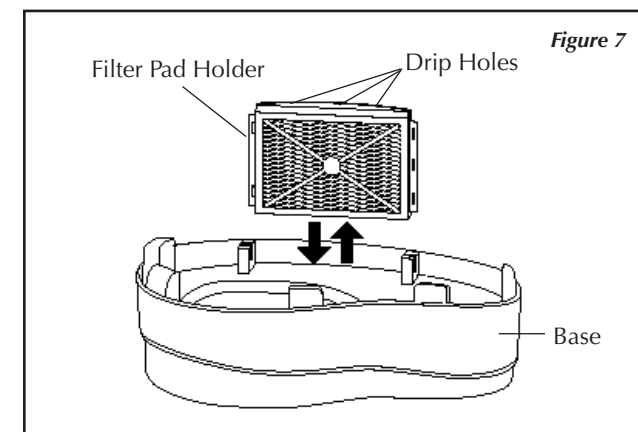
NOTE: The Humidifier will only turn on when the Humidistat is set to a high enough setting or when the room humidity is low enough.

FILTER CARE

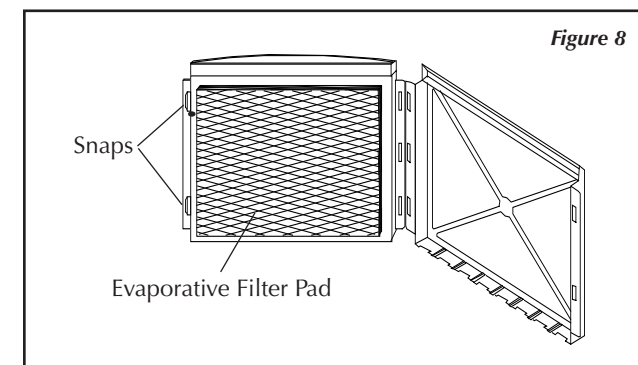
The Filter inside your Humidifier plays a very important part in its operation. In order to maintain peak performance, it is highly recommended to **use only LASKO REPLACEMENT FILTERS**. Some imitation filters do not comply with Lasko's quality standards, resulting in decreased performance of your Humidifier.

CAUTION: To prevent electric shock, always turn Power Control Knob to OFF position and unplug before servicing.

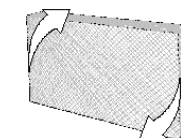
1. To replace the Evaporative Filter Pad, remove the Jug and Upper Housing from the Base. **Be careful not to let excess water from pump spill onto furniture or flooring.**
2. Remove Evaporative Filter Pad Holder from Base and inspect Small Water Drip Holes for any blockage. (Figure 7)



3. To open the Filter Holder apply outward pressure to the two snaps and it will hinge open. Remove used Filter from Holder and discard. (Figure 8)



4. Insert new Filter into Holder, snap closed, and reinstall Holder into Base. (Figure 7) The Filter will only fit into the Holder one way. Make sure the Rounded side of the Filter Holder is facing outward. Replace Upper Housing, then Water Jug into Base.
5. To increase the life of your Filter Pad turn Filter around (so the bottom of Filter is now at the top).
6. Filter life may be extended by cleaning the Filter in a 20% vinegar solution. To clean Filter, mix one part undiluted vinegar with four parts warm tap water. Soak the Filter in this solution for 20 minutes, rinse Filter thoroughly with warm water to remove vinegar odor.



DO NOT FLATTEN, SQUEEZE OR TWIST FILTER WHEN CLEANING

7. Discoloration of the Evaporative Pad is normal after extended use. The discoloration is caused by mineral deposits in the water, and the degree of discoloration will vary depending upon the amount of mineral content in the water. When the Filter surface area is thoroughly discolored, or you notice reduced water usage, it is a good indicator that the Filter Pad needs to be replaced. **The Evaporative Pad should be replaced at least once every season.**

**The Replacement Filter to be used in this unit is:
The Lasko Replacement Evaporative Pad Model THF 8
(Available separately)**

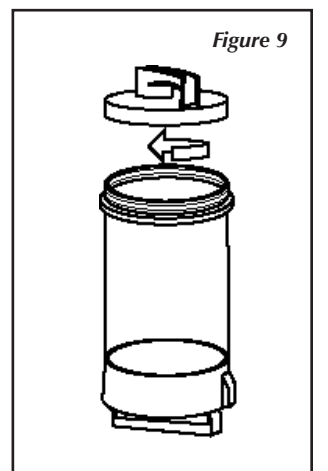
CLEANING

1. Regular cleaning is necessary to ensure proper and efficient operation. The frequency of cleaning depends on the amount of impurities which may be found in the water or how often the Humidifier is in operation. **In either instance, it is recommended that the Humidifier be cleaned at least once a week.**

NOTE: The bottom of the Jug may be unscrewed for easy cleaning. (Figure 9)

CAUTION: Make sure bottom of jug is securely fastened to Jug before reinstalling into Base.

2. **TO DESCALE BASE AND JUG:** Mix one part undiluted white vinegar with four parts warm tap water. Let vinegar solution stand for 20 minutes then wipe away any scale buildup using a soft brush or cloth. **Do not use soap or detergents and never use an abrasive cleaner.**



3. **TO DISINFECT BASE AND JUG:** Fill Jug with 1 teaspoon of chlorine bleach and 1 gallon of water. Let solution stand for 20 minutes. Carefully empty Jug and rinse well with water until bleach smell is gone.
4. Commercial "Descalers" and "Bacteriostats" are available at your local home improvement center.
5. Do not operate Humidifier when there is still cleaner in the water.

OFF-SEASON STORAGE

1. Clean and dry Humidifier thoroughly per the Cleaning Instructions. Do not leave any water in the Unit when storing.
2. Dispose of the Evaporative Filter Pad. Do not store used Evaporative Filter Pad in the Humidifier.
3. Place Humidifier back into its carton and store in a cool dry place.

Free Manuals Download Website

<http://myh66.com>

<http://usermanuals.us>

<http://www.somanuals.com>

<http://www.4manuals.cc>

<http://www.manual-lib.com>

<http://www.404manual.com>

<http://www.luxmanual.com>

<http://aubethermostatmanual.com>

Golf course search by state

<http://golfingnear.com>

Email search by domain

<http://emailbydomain.com>

Auto manuals search

<http://auto.somanuals.com>

TV manuals search

<http://tv.somanuals.com>