

**Direct-Vent Gas  
Fireplace Heater Inserts**

P/N 775,157M Rev. J, 12/2007

**Installer: Leave This Manual With The Appliance.  
Consumer: Retain This Manual For Future Reference.**



A French manual is available upon request. Order P/N 775,157CF.  
Ce manuel d'installation est disponible en français, simplement  
en faire la demande. Numéro de la pièce 775,157CF.

Tested &  
Listed By  Beaverton  
Oregon USA  
OMNI-Test Laboratories, Inc.  
Report No. 116-F-14-5

Models: EDVI25, EDVI30 & EDVI35



**⚠ WARNINGS**



- **Hot! Do not touch!** The glass and surfaces of this appliance will be hot during operation and will retain heat for a while after shutting off the appliance. Severe burns may result.
- **Carefully supervise children** in the same room as appliance.
- **If small children are present** in the home, it is recommended that this appliance be fitted with a screen door or screen panel kit. See *Page 14* for ordering information.
- **Suitable for installation** into masonry or factory built fireplaces.
- **Lennox™ gas-burning appliances** are designed for use as a supplemental heater. They are not intended for continuous use as a primary heat source.

**WARNING:** If the information in this manual is not followed exactly, a fire or explosion may result causing property damage, personal injury or loss of life.

Do not store or use gasoline or other flammable vapors or liquids in the vicinity of this or any other appliance.

**WHAT TO DO IF YOU SMELL GAS:**

- Do not light any appliance.
- Do not touch any electrical switch; do not use any phone in your building.
- Immediately call your gas supplier from a neighbor's phone. Follow your gas supplier's instructions.
- If your gas supplier cannot be reached, call the fire department.

Installation and service must be performed by a qualified installer, service agency or the gas supplier.

**AVERTISSEMENT:** Assurez-vous de bien suivre les instructions donné dans cette notice pour réduire au minimum le risque d'incendie ou pour éviter tout dommage matériel, toute blessure ou la mort.

**POUR VOTRE SÉCURITÉ:** Ne pas entreposer ni utiliser d'essence ni d'autre vapeurs ou liquides inflammables dans le voisinage de cet appareil ou de tout autre appareil.

**POUR VOTRE SÉCURITÉ:** Que faire si vous sentez une odeur de gaz:

- Ne pas tenter d'allumer d'appareil.
- Ne touchez à aucun interrupteur. Ne pas vous servir des téléphones se trouvant dans le bâtiment où vous trouvez.
- Evacuez la pièce, le bâtiment ou la zone.
- Appelez immédiatement votre fournisseur de gaz depuis un voisin. Suivez les instructions du fournisseur.
- Si vous ne pouvez rejoindre le fournisseur de gaz, appelez le service des incendies.

L'installation et service doit être exécuté par un qualifié installateur, agence de service ou le fournisseur de gaz.

## IMPORTANT SAFETY AND WARNING INFORMATION

READ THIS MANUAL IN ITS ENTIRETY AND UNDER-STAND THESE RULES TO FOLLOW FOR SAFETY.

### WARNING

Improper installation, adjustment, alteration, service or maintenance can cause injury or property damage. Refer to this manual. For assistance or additional information consult a qualified installer, service agency or the gas supplier.

### WARNING

Do not attempt to alter or modify the construction of the appliance or its components. Any modification or alteration may void the warranty, certification and listings of this unit.

### WARNING

These fireplace Inserts are vented heaters. Do not burn wood or other material in these appliances.

### WARNING

Failure to comply with the installation and operating instructions provided in this document will result in an improperly installed and operating appliance, voiding its warranty. Any change to this appliance and/or its operating controls is dangerous. Improper installation or use of this appliance can cause serious injury or death from fire, burns, explosion or carbon monoxide poisoning.

### WARNING

**Carbon Monoxide Poisoning:** Early signs of carbon monoxide poisoning are similar to the flu with headaches, dizziness and/or nausea. If you have these signs, obtain fresh air immediately. Have the appliance serviced by a qualified technician as it may not be operating correctly. Some people are more affected by carbon monoxide than others. These include pregnant women, people with heart or lung disease or anemia, those under the influence of alcohol, and those at high altitudes.

### WARNING

Do not place clothing or other flammable materials on or near this appliance.

### AVERTISSEMENT

Surveiller les enfants. Garder les vêtements, les meubles, l'essence ou autres liquides à vapeur inflammables loin de l'appareil.

### WARNING

Children and adults should be alerted to the hazards of high surface temperatures. Use caution around the appliance to avoid burns or clothing ignition. Young children should be carefully supervised when they are in the same room as the appliance.

Do not attempt to touch the front enclosure glass with your hands while the fireplace is in use.

*Note: An Optional Screen Panel for the glass is available (see Page 14 for ordering information).*

### WARNING

Do not use these appliances if any part has been under water. Immediately call a qualified, professional service technician to inspect the appliances and to replace any parts of the control system and any gas controls which have been under water.

### AVERTISSEMENT

Ne pas se servir de cet appareil s'il a été plongé dans l'eau, complètement ou en partie. Appeler un technicien qualifié pour inspecter l'appareil et remplacer toute partie du système de contrôle et toute commande qui ont été plongés dans l'eau.

### IMPORTANT

- Provide adequate clearances around air openings and adequate accessibility clearance for service and proper operation.
- Never obstruct the front openings of the appliance.
- Due to high temperatures of these appliances, adequate clearances need to be maintained from furniture, draperies and other combustibles. Locate furniture and window coverings accordingly. The recommended clearance zone from the front of the appliance to combustibles is 36 inches (914 mm). Maintain all other clearances as outlined in the Installation Manual.
- These appliances are designed as supplemental heaters. Therefore, it is advisable to have an alternate heat source when installed in a dwelling.

## CONGRATULATIONS ON THE PURCHASE OF YOUR NEW GAS APPLIANCE MANUFACTURED BY LENNOX HEARTH PRODUCTS.

When you purchased your new gas-fired heater, you joined the ranks of thousands of individuals whose answer to their home heating needs reflects their concern for efficiency and our environment. We extend our continued support to help you achieve the maximum benefit and enjoyment available from your new gas-fired heater. It is our goal at Lennox Hearth Products to provide you, our valued customer, with an appliance that will ensure years of trouble-free warmth and pleasure.

Thank you for selecting a Lennox Hearth Products gas-fired heater as the answer to your home heating needs.

Sincerely,  
All of us at Lennox Hearth Products

## TABLE OF CONTENTS

Important Safety and	
Warning Information.....	Page 2
Introduction.....	Page 3
General Information.....	Page 3
Burn-In Period.....	Page 4
Gas Controls.....	Page 4
Variable Flame Adjustment.....	Page 4
Control Compartment Access.....	Page 4
Operation/Care of Your Appliance.....	Page 5
Maintenance.....	Page 5
Maintenance Schedule.....	Page 7
Front Glass Enclosure Panel,	
Removal and Installation.....	Page 8
Burner Adjustments.....	Page 8
Flame Appearance and Sooting.....	Page 8
Log/Rockwool/Vermiculite Placement	Page 9
Millivolt Appliance Checkout.....	Page 13
Blower Operation.....	Page 13
Fireplace Requirements.....	Page 13
Wiring Diagrams.....	Page 13
Accessory Components.....	Page 14
Lighting Instructions – Millivolt.....	Page 16
Replacement Parts List.....	Page 18
Troubleshooting Guide – Millivolt.....	Page 20
Product Reference Information.....	Page 24

## INTRODUCTION

The Insert models covered in this manual are Direct-Vent sealed combustion gas heaters designed for residential application for installation into an existing masonry or factory built solid-fuel fireplace. The required liners for the air intake and exhaust are as follows:

**Air Intake: Use 3" diameter UL 1181 or UL 1777 listed liner only.**

**Exhaust: Use 3" diameter UL1777 listed gas vent liner only. DO NOT USE UL 1181 LISTED LINER.**

These vent systems must be routed through the existing fireplace flue system to the vent termination.

These millivolt appliances are designed to operate on either natural or propane gas. A millivolt gas control valve with piezo ignition system provides safe, efficient operation. External electrical power is required to operate the air circulation blower.

These appliances comply with National Safety Standards and are tested and listed by OMNI-Test Laboratories Inc.; Beaverton, Oregon (see report numbers on cover) to ANSI Z21.88 (in Canada, CSA-2.33), and CAN/CGA-2.17-M91 in both USA and Canada, as vented gas heaters.

Installation must conform to local codes. In the absence of local codes, installation must comply with the current National Fuel Gas Code, ANSI Z223.1 / NFPA 54 - latest edition. (In Canada, the current CAN-1 B149 installation code.) Electrical wiring must comply with the National Electrical Code ANSI/ NFPA 70 - latest edition. In Canada, the current CSA C22-1 Canadian Electrical Code - latest edition.

## GENERAL INFORMATION

Installation, repair and annual service inspection should be performed by a qualified service technician.

**It is imperative that the control compartment, burners and circulating air passage ways of the appliance be kept clean.**

**S'assurer que le brûleur et le compartiment des commandes sont propres. Voir les instructions d'installation et d'utilisation qui accompagnent l'appareil.**

Input of millivolt models is variable. These rates are shown in the following table:

Millivolt Models with MAnnually-Modulated Gas Valves		
	Nat. Gas	Propane
Model No.	Input Rate (BTU/HR)	Input Rate (BTU/HR)
EDVI25	17,000 to 25,000	19,000 to 25,000
EDVI30	21,500 to 30,000	22,000 to 28,000
EDVI35	25,500 to 35,000	26,000 to 34,000

*Table 1*

*Table 2* shows the units' gas orifice size for the elevations indicated.

Model No.	Orifice Size		Elevation Feet (meters)
	Nat. Gas	Prop. Gas	
EDVI25	#41 (.096")	#53 (.0595")	0-4500 (0-1372)
EDVI30	#37 (.104")	1/16" (.0625")	0-4500 (0-1372)
EDVI35	#33 (.113")	#51 (.067")	0-4500 (0-1372)

*Table 2*

*Tables 3 and 4* show the gas pressure requirements for all models:

Inlet Gas Supply Pressure (all models)		
Fuel #	Minimum	Maximum
Natural Gas	4.5" WC (1.12 kPa)	10.5" WC (2.61 kPa)
Propane	11.0" WC (2.73 kPa)	13.0" WC (3.23 kPa)

*Table 3*

Manifold Gas Supply Pressure (all models)		
Fuel #	Low	High
Natural Gas	(Lo) 1.6" WC (.40 kPa)	(Hi) 3.5" WC (.87 kPa)
Propane	(Lo) 6.3" WC (1.57 kPa)	(Hi) 10.0" WC (2.49 kPa)

*Table 4*

NOTE: DIAGRAMS & ILLUSTRATIONS ARE NOT TO SCALE

Test gauge connections are provided on the front of the millivolt gas control valve (identified IN for the inlet and OUT for the manifold side). See **Figures 1 & 2**.

This appliance *must be isolated* from the gas supply piping system (by closing its individual manual shut-off valve) during any pressure testing of the gas supply piping system at test pressures **equal to or less than** 1/2 psig (3.5 kPa).

This appliance and its individual shut-off valve *must be disconnected* from the gas supply piping system during any pressure testing of that system at pressures **greater than** 1/2 psig (3.5 kPa).

This appliance must not be connected to a chimney or flue serving a separate solid-fuel appliance.

### Burn-in Period

During the first few burns of these appliances there will be some odor due to the curing of the high temperature paint and burning off of lubricants used in the manufacturing process.

Depending on your use, the burn-in period may take a few hours or a few days. **Do not turn on blower during Burn-In period.**

## ! IMPORTANT

**Keep your house well ventilated during the curing process. The odor and haze emitted by the curing process can be quite noticeable and may set off a smoke detector.**

### Lighting Millivolt Appliances

To light millivolt appliances refer to the detailed lighting instructions found on **Page 16** (English) and **Page 17** (French). Millivolt appliance lighting instructions may also be found on the pull-out lighting instruction labels located in the control compartment (below glass door).

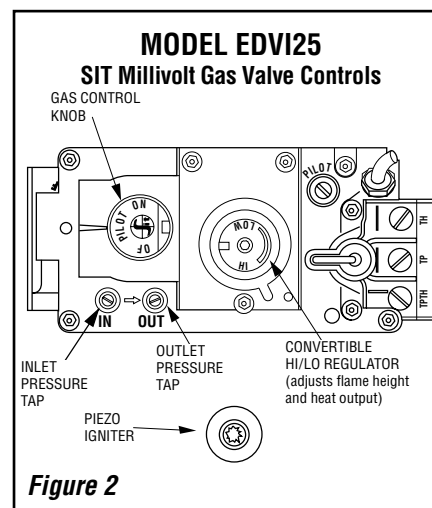
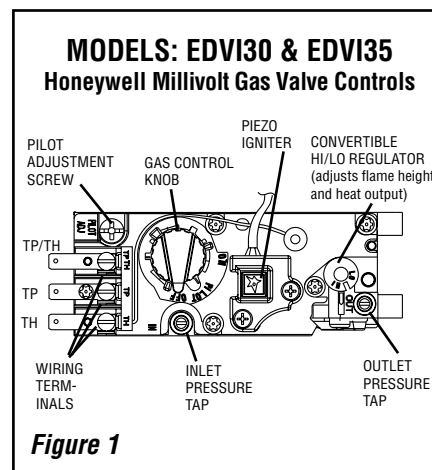
## GAS CONTROLS

See **Figure 3**, showing how to access the control compartment.

These millivolt appliances are fitted with a burner ON/OFF Switch, located on the side surround panel as shown in **Figure 4 on Page 4**. Once the pilot is lit, and valve knob is in the ON position, the ON/OFF switch will control the appliance ON/OFF operation. To operate, toggle the switch between its ON and OFF positions.

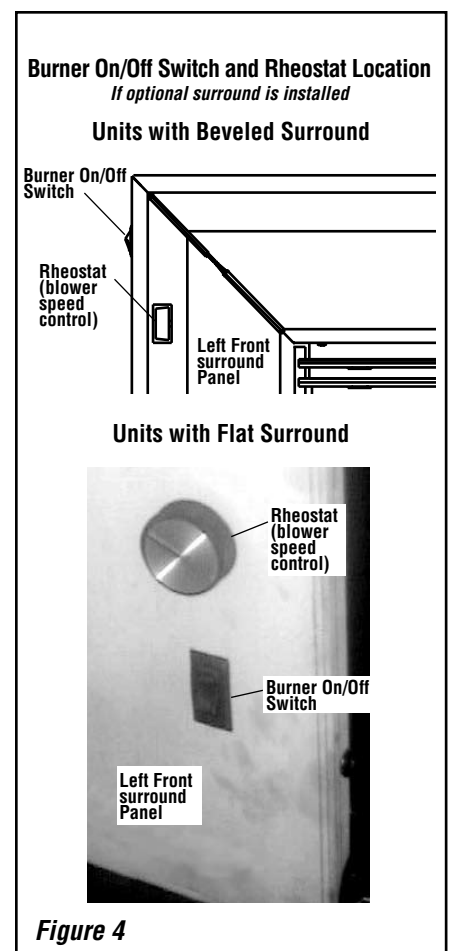
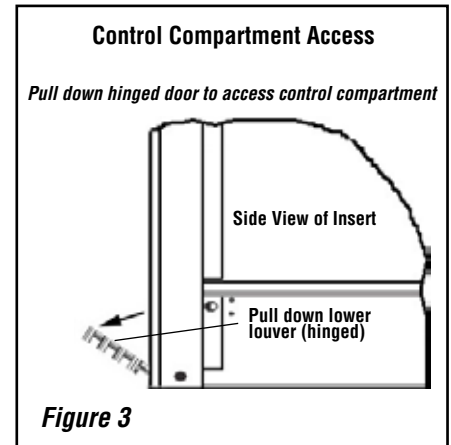
### Variable Flame Height Adjustment

These millivolt appliances are equipped with a variable gas control valve. Flame height may be adjusted through a range between fixed low and high settings by rotating the HI/LO knob on the valve (see **Figures 1 & 2**) alternately, while the appliances are in operation.



## CONTROL COMPARTMENT ACCESS

Pull down hinged door to access control compartment (see **Figure 3**).



NOTE: DIAGRAMS & ILLUSTRATIONS ARE NOT TO SCALE

## OPERATION AND CARE OF YOUR APPLIANCE

Appliance operation may be controlled through a remotely located optional wall thermostat or remote control.

In lieu of remote control or remote wall thermostat operation, the appliance must be operated directly through the on/off switch located on the surround panel (see **Figure 4**).

If your millivolt appliance is equipped with an optional wall thermostat kit or remote control kit and the pilot is lit (and valve is in the On position), the appliance main burner may be turned on and off with the wall thermostat or remote control.

Always keep the appliance area clear and free from combustible materials, gasoline and other flammable liquids.

Remember, Millivolt appliances have a continuous burning pilot flame. Exercise caution when using products with combustible vapors.

## MAINTENANCE

The appliance and venting system should be thoroughly inspected before initial use and at least annually by a qualified service technician. However, more frequent periodic inspections and cleanings should be performed by the homeowner. Homeowner must contact a qualified service technician at once if any abnormal condition is observed.

Refer to the maintenance schedule on **Page 7** for maintenance tasks, procedures, recommended frequency and by whom they should be performed. Always verify proper operation of the appliance after servicing.

Always turn off the gas to the appliance before cleaning. Before re-lighting, refer to the lighting instructions in this manual. Instructions are also found on pull-out panels located below the glass door in the control compartment.

Keep lower control compartment clean by vacuuming or brushing at least twice a year. More frequent cleaning may be required due to excessive lint from carpeting, bedding materials, etc. It is important that control compartments, burners and circulating air passageways of the appliance be kept clean.

### **! WARNING**

**Turn off gas and electrical power before servicing the appliance.**

### **! CAUTION**

**Wear gloves and safety glasses for protection while doing required maintenance.**

### **! IMPORTANT**

**Always verify proper operation after servicing.**

#### Check Burner Flame Appearance

Visually check the flame of the burner periodically making sure the flames are steady and not lifting or floating (see **Figure 19** on **Page 8**).

#### Glass Cleaning

*Note: Clean glass after first two weeks of operation (after Burn-In period is over).*

The viewing glass should be cleaned periodically to remove any build-ups caused from the following:

- During start-up, it is normal for condensation to form on the inside of the glass (this condensation and fog will usually disappear in a few minutes). This can cause lint, dust and other airborne particles to cling to the glass surface.
  - Initial curing of the high temperature paint and burning off of lubricants used in the manufacturing process may result in a film on the glass.
  - A white coating may form on the glass as a result of impurities and minerals in the fuel.
- It is recommended that the glass be cleaned two or three times during each heating season, depending on the circumstances present.

Use one of the following to clean glass:

- Non-ammonia based household cleaner
- 50%-50% mix of white vinegar & water
- gas stove glass cleaner

NOTE: DIAGRAMS & ILLUSTRATIONS ARE NOT TO SCALE

### **! IMPORTANT**

**Do not use abrasive cleaners on glass. Never clean the glass when it is hot.**

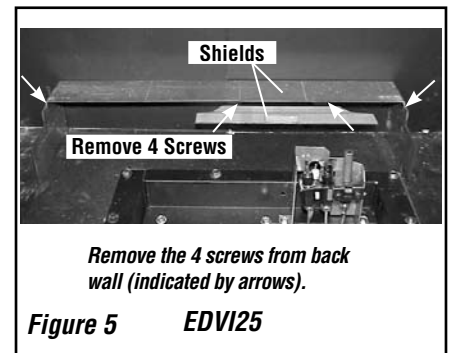
### **! WARNING**

**Do not attempt to touch the front enclosure glass with your hands while the fireplace is in use.**

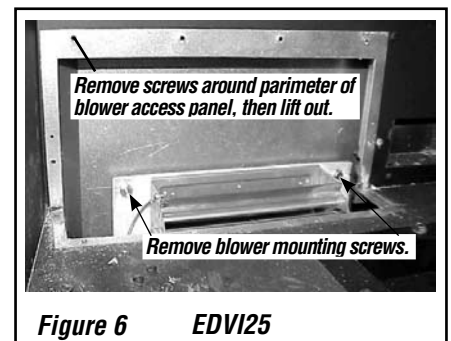
#### Servicing Blower

Refer to blower wiring diagram on **Page 13**. To access the blower assembly for maintenance, adjustment or replacement, see the following procedure:

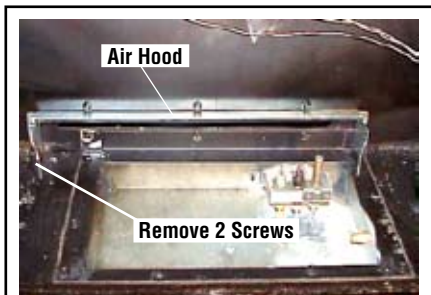
1. Unplug 120-volt A.C. power supply to insert.
2. Shut off gas supply to insert.
3. Remove Glass Door (see *Procedure For Removing Standard Glass Door Assembly* on **Page 8**).
4. Remove log set, burner and grate.
5. (EDVI25 only) Remove the two shields shown in **Figure 5**.



6. (EDVI25 only) Remove blower access panel (see **Figure 6**).
7. (EDVI25 only) Remove the two blower mounting screws and remove the blower (see **Figure 6**).

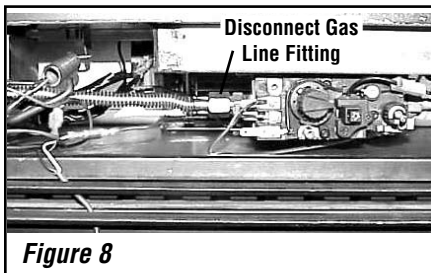


8. (EDVI30 only) Remove the two screws shown in **Figure 7**, then lift out air hood.



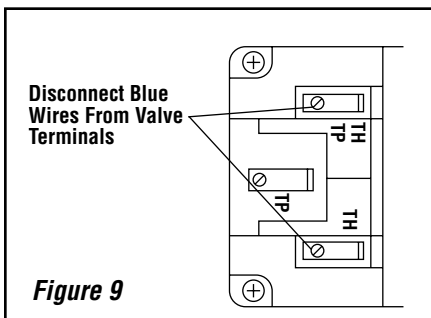
**Figure 7 EDVI30**

9. **ENSURE THAT GAS SUPPLY IS SHUT OFF.** Disconnect gas line fitting at the valve (for models EDVI30 & EDVI35). See **Figure 8**.



**Figure 8**

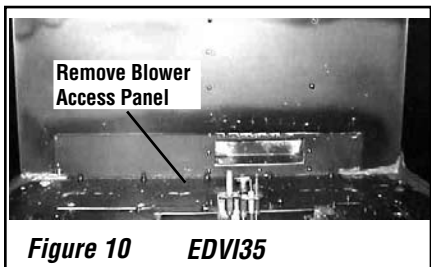
10. Disconnect the two burner circuit wires from the valve terminals (see **Figure 9**).



**Figure 9**

11. (EDVI30 only) Remove the screws around the perimeter of the gas valve train, then lift out and set aside (see **Figure 11**).

12. (EDVI35 only) Remove the screws around the perimeter of the blower access panel, then lift out and set aside (see **Figure 10**).



**Figure 10 EDVI35**

### Small Area Paint Touch-up

The finish of the insert body and surround (optional) is a high-quality powdercoat. Only use factory supplied powdercoat paint for touch-ups, cat. no. 90L74.

Do not attempt to repaint the insert until the finish is completely cured (see Burn-In Period on this page). If the surface later becomes stained or marred, it may be lightly sanded and touched up with spray paint.

Paint is available at your local authorized Lennox Hearth Products dealer. Never attempt to paint a hot insert.

### Inspect Wiring

Inspect and clean all wire connections. Ensure that there is no melting or damage. Inspection should include:

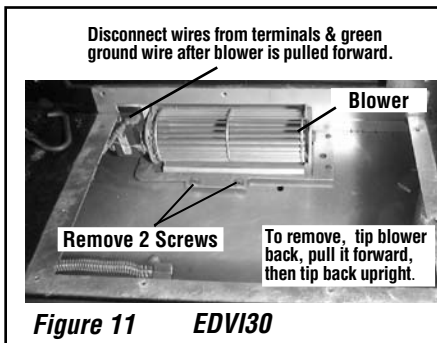
- Terminals at the valve
- On/Off switch
- Wall thermostat, remote control, or control kit (optional parts)

Refer to wiring diagrams on **Pages 13 & 14**.

## CAUTION

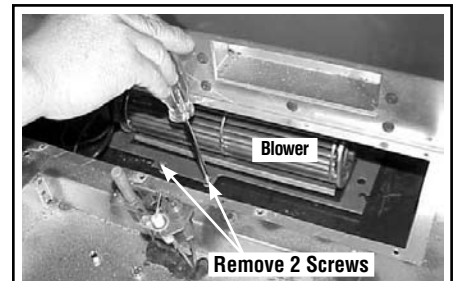
**Label all wires prior to disconnection when servicing controls. Wiring errors can cause improper and dangerous appliance operation.**

13. (EDVI30 only) Remove the two blower mounting screws and remove blower per instructions in **Figure 11**.



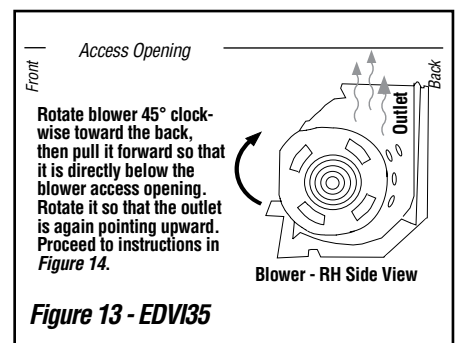
**Figure 11 EDVI30**

14. (EDVI35 only) Remove the blower per instruction in **Figures 12 through 14**.



Disconnect wires from terminals on blower (including green ground wire). Proceed to instructions in **Figure 13**.

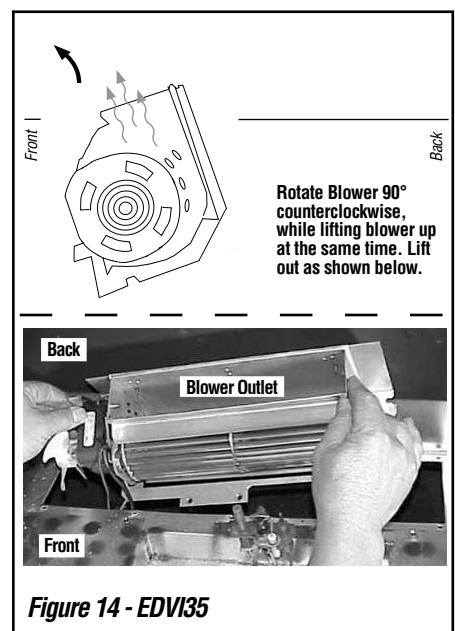
**Figure 12 - EDVI35**



**Figure 13 - EDVI35**

14. (EDVI35 ONLY) When reinstalling the blower (reverse steps in **Figures 12 through 14**),

15. To reinstall blower, reverse steps 1-14.



**Figure 14 - EDVI35**

## MAINTENANCE SCHEDULE

**Annually** (Before the onset of the Burning Season)

Maintenance Task	Accomplishing Person	Procedure
Inspecting/Cleaning Burner, Logs and Controls	Qualified Service Technician	Inspect valve and ensure it is properly operating. Check piping for leaks. Vacuum the control compartment, fireplace logs and burner area.
Check Flame Patterns and Flame Height	Qualified Service Technician	Refer to <b>Figure 19 on Page 8</b> and verify the flame pattern and height displayed by the appliance conforms to the picture. Flames must not impinge on the logs.
Inspecting/Cleaning Pilot and Burner	Qualified Service Technician	Refer to <b>Figure 19 on Page 8 and Figure 38 on Page 13</b> . Remove any surface build-up on pilot and burner assembly. Wipe the pilot nozzles, igniter/flame rod and hood. Ensure the pilot flame engulfs the flame sensor as shown.
Checking Vent System	Qualified Service Technician	Inspect the vent system at the top and at the base (within the firebox) for signs of blockage or obstruction. Look for any signs of dislocation of the vent components.
Appliance Checkout	Qualified Service Technician	Perform the appropriate appliance checkout procedure detailed in this manual.
Replacing Rockwool Ember Materials	Homeowner/Qualified Service Technician	Remove old ember materials and vacuum the rockwool placement area. Place new rockwool as described on <b>Pages 11 &amp; 12</b> .

**Periodically** (After the Burning Season)

Maintenance Task	Accomplishing Person	Procedure
Cleaning Firebox Interior	Homeowner	Carefully remove logs, rockwool and vermiculite. Vacuum out interior of the firebox. Clean firebox walls and log grate. Replace logs, Rockwool and vermiculite as detailed in this manual.
Check Flame Patterns and Flame Height	Homeowner	Refer to <b>Figure 19 on Page 8</b> and verify the flame pattern and height displayed by the appliance conforms to the picture. Flames must not impinge on the logs.
Checking Vent System	Homeowner	Inspect the vent system at the top and at the base (within the firebox) for signs of blockage or obstruction. Look for any signs of dislocation of the vent components.
Cleaning Front Door Window	Homeowner	Clean as necessary following the directions provided in this manual. <b>DO NOT TOUCH OR ATTEMPT TO CLEAN GLASS WHILE HOT.</b>

**PROCEDURE FOR REMOVING THE STANDARD GLASS DOOR ASSEMBLY**

**! WARNING**

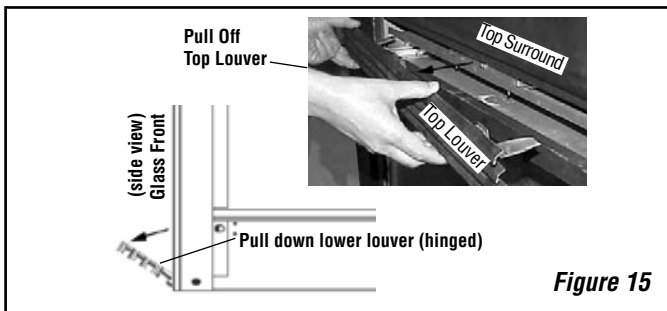
**Handle glass door with extreme care! The glass door assembly is susceptible to damage. Do not scratch while handling or while reinstalling.**

**! WARNING**

**Never operate unit without the front glass door panel in place and secure.**

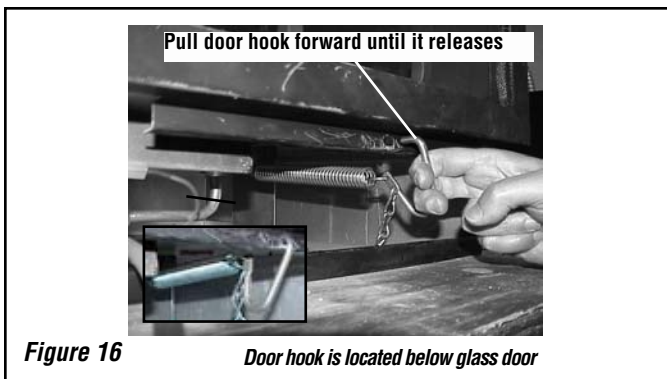
Remove the front door assembly from insert as follows:

1) Pull off top louver and hinge down lower louver (see **Figure 15**).



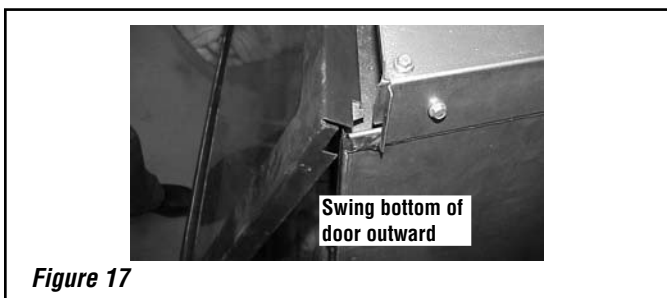
**Figure 15**

2) Locate the spring hook under the glass door assembly (see **Figure 16**). Pull hook forward until it releases out of the bottom door frame.



**Figure 16**

3) Swing the bottom of the door outward (see **Figures 17 & 18**) and lift it off of the flange on unit (where door hooks onto, at top). Set door aside in a safe place.



**Figure 17**



**Figure 18**

Lift top of door off this flange

To reinstall glass door assembly panel, reverse instructions 1 - 3 on this page.

**BURNER ADJUSTMENT**

**Flame Appearance and Sooting**

Proper flame appearance is a flame which is blue at the base and becomes yellow/orange in the body of the flame. When the insert is first lit, the entire flame may be blue and will gradually turn yellow/orange during the first 6-8 minutes of operation. If after 6-8 minutes the flame stays blue, or if the flame is orange with evidence of sooting (black tip), the air shutter may require adjustment.

An appliance operated with an air shutter opening that is too large will exhibit flames that are blue and transparent. These weak, blue and transparent flames are termed anemic. If the air shutter opening is too small, sooting may develop.

**Burner Flame Appearance**



**Figure 19**

EDVI35 Shown

Sooting is indicated by black puffs developing at the tips of very long orange flames. Sooting results in black deposits forming on the logs, appliance inside surfaces and on exterior surfaces adjacent to the vent termination. Sooting is caused by incomplete combustion in the flames and lack of combustion air entering the air shutter opening. To achieve a warm yellow-to-orange flame that does not soot, the shutter opening must be adjusted between these two extremes.

No smoke or soot should be present. Reposition the logs if flames impinge on any of them. If the logs are properly positioned and sooting conditions exist, the air shutter opening on the main burner tube should be adjusted.

**! IMPORTANT**

**Ensure that the front glass panel is in place and sealed during adjustment.**



## Burner Adjustment Procedure

### **! WARNING**

Air shutter adjustment should only be performed by a qualified professional service technician.

### **! CAUTION**

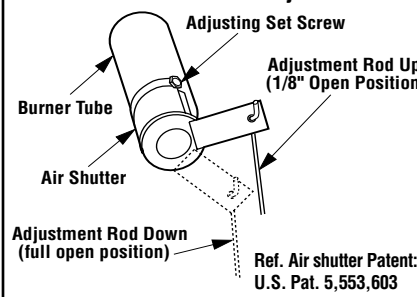
The adjustment rod and nearby appliance surfaces are hot. Exercise caution to avoid injury while adjusting flame appearance.

If the burner flame appearance differs greatly from what is shown on this Page (see Burner Flame Appearance), some adjustment from the factory setting for the air shutter gap may be necessary (to compensate for variables in the installation and fuel such as, BTU value composition, gas pressure, specific gravity of gas, altitude, etc.).

See **Table 5** for Burner Air Shutter Adjustment Guidelines.

Initially, always position the air shutter to the factory setting as shown in **Figure 20** (adjustment rod is located in the lower control area). This can be done by moving the adjustment rod up or down accordingly. Allow the burner to operate for at least 15 minutes. Observe the flame continuously. If it appears weak or sooty as previously described, adjust the air shutter to a more open position until the proper flame appearance is achieved.

### Burner Air Shutter Adjustment



Ref. Air shutter Patent:  
U.S. Pat. 5,553,603

FACTORY AIR SHUTTER OPENING SETTING		
Model	Gas Type	Air Shutter Gap
EDVI25	Natural Gas	3/16" (4.76 mm)
	Propane	3/8" (9.52 mm)
EDVI30	Natural Gas	5/16" (7.94 mm)
	Propane	1/2" (12.7 mm)
EDVI35	Natural Gas	3/8" (9.52 mm)
	Propane	1/2" (12.7 mm)

**Figure 20**

### **! CAUTION**

Carbon will be produced if the air shutter is closed too much. Any damage due to carboning resulting from improperly setting the air shutter is not covered under the warranty.

The following chart (**Table 5**) is provided to aid you in achieving the correct air shutter adjustment for your installation.

Air Shutter Adjustment Guidelines		
Amount of Primary Air	Flame Color	Air Shutter Adjustment
If air shutter is closed too far →	Flame will be orange →	Air shutter gap should be increased
If air shutter is open too far →	Flame will be blue →	Air shutter gap should be decreased

**Table 5**

### LOGS, VERMICULITE AND EMBERS - Models EDVI25 & EDVI30

(For EDVI35 Log Installation Instructions, see **Page 11**).

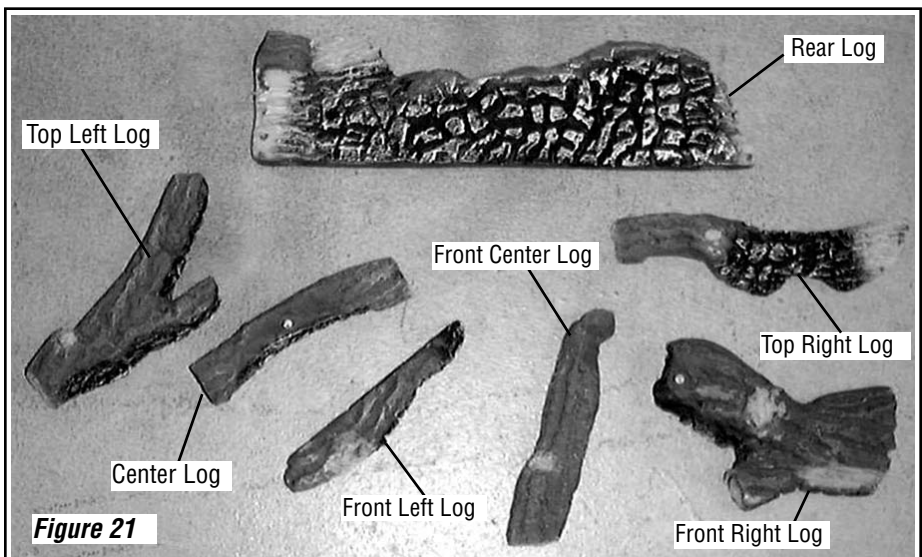
#### Installation Instructions

### **! WARNING**

If logs are not installed according to the directions shown here, flame impingement and improper combustion could occur and result in soot and/or excessive production of carbon monoxide (CO) - a colorless, odorless, toxic gas.

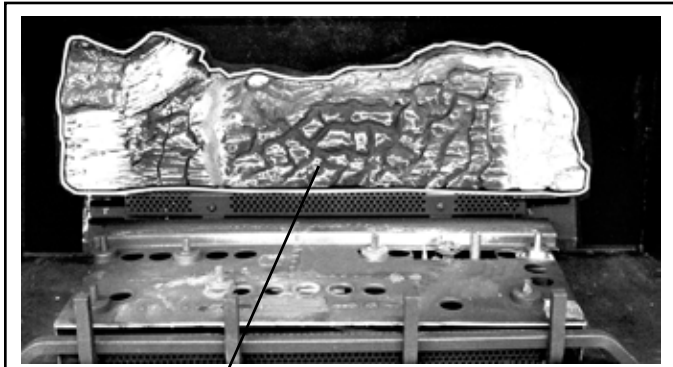
Carefully install the seven-piece log set into the firebox as shown in these instructions. All logs should fit onto corresponding pins and/or log stoppers. This will ensure a proper flame and safe combustion.

**Note:** Place some vermiculite around the burner as shown in **Figure 30**, if necessary, before installing the logs (the entire bag of vermiculite will NOT be used).



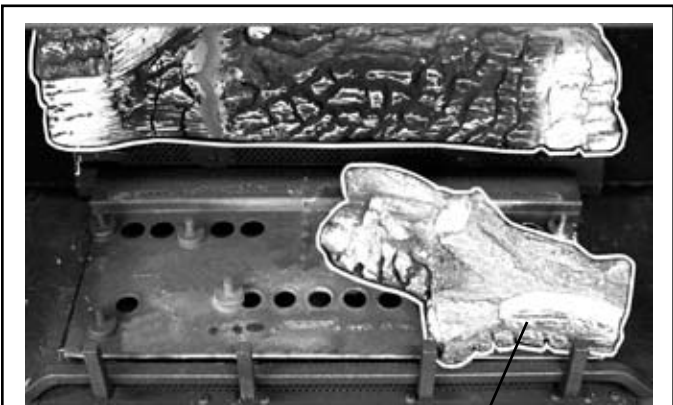
NOTE: DIAGRAMS & ILLUSTRATIONS ARE NOT TO SCALE

1. Place the rear log onto the two corresponding locating pins at the back of the firebox as shown in **Figure 22**.



**Figure 22** Rear Log

2. Place the Front Right Log onto the two corresponding locating pins as shown in **Figure 23**.



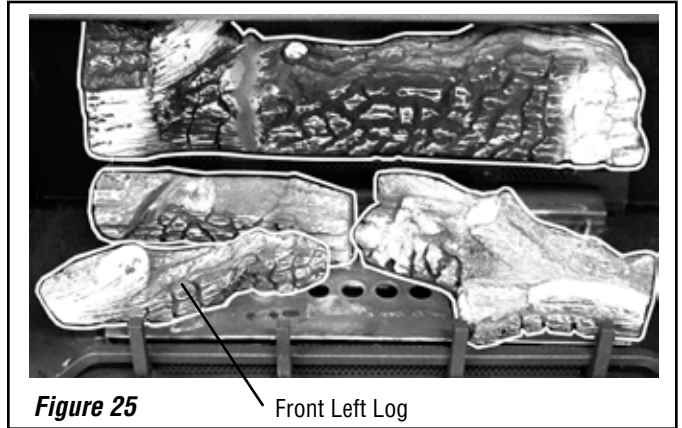
**Figure 23** Front Right Log

3. Place the Center Log onto the two corresponding locating pins as shown in **Figure 24**.



**Figure 24** Center Log

4. Place the Front Left Log onto the two corresponding locating pins as shown in **Figure 25**.



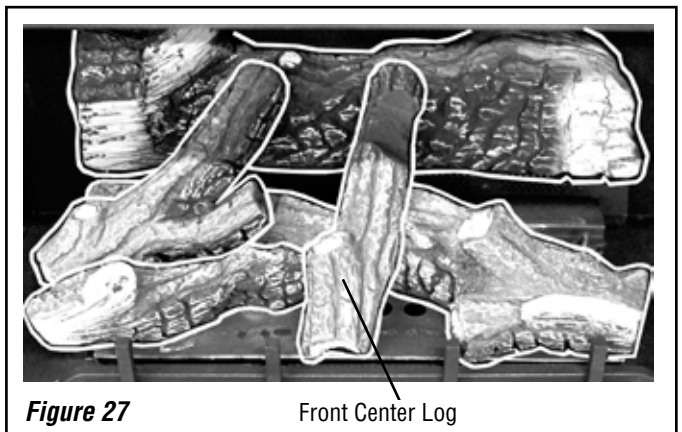
**Figure 25** Front Left Log

5. Install the Top Left Log onto the corresponding locating pin and indentation on Center Log as shown in **Figure 26**.



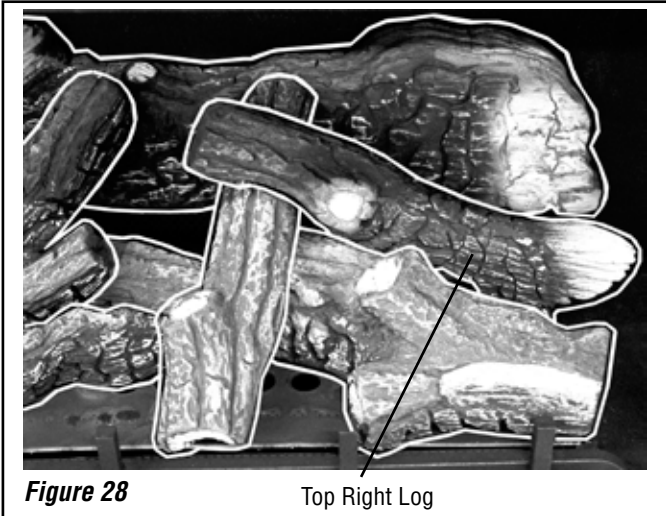
**Figure 26** Top Left Log

6. Install the Front Center Log over the Front Right Log. The front of log will rest on the burner and the back of log will rest on rear log as shown in **Figure 27**.



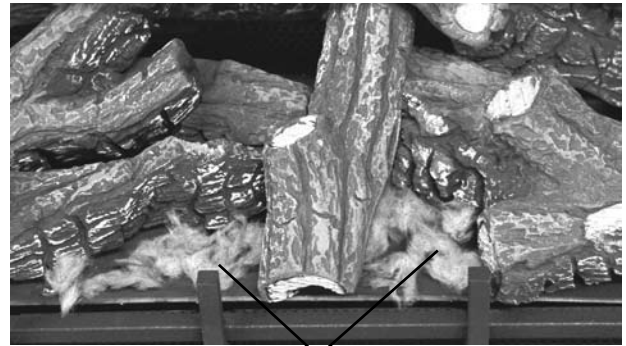
**Figure 27** Front Center Log

7. Install the Top Right Log into the corresponding indentations on Front Center Log and Locating Pin as shown in **Figure 28**.



**Figure 28**

Top Right Log



**Figure 29**

Embers

8. Place the glowing embers on the burner as shown in **Figure 29**.

One package of ember material has been included with this log set. You will not need to use the entire bag.

**IMPORTANT:** The quantity and placement of the ember material can affect insert performance therefore it is very important that it be placed as shown in **Figure 29**.

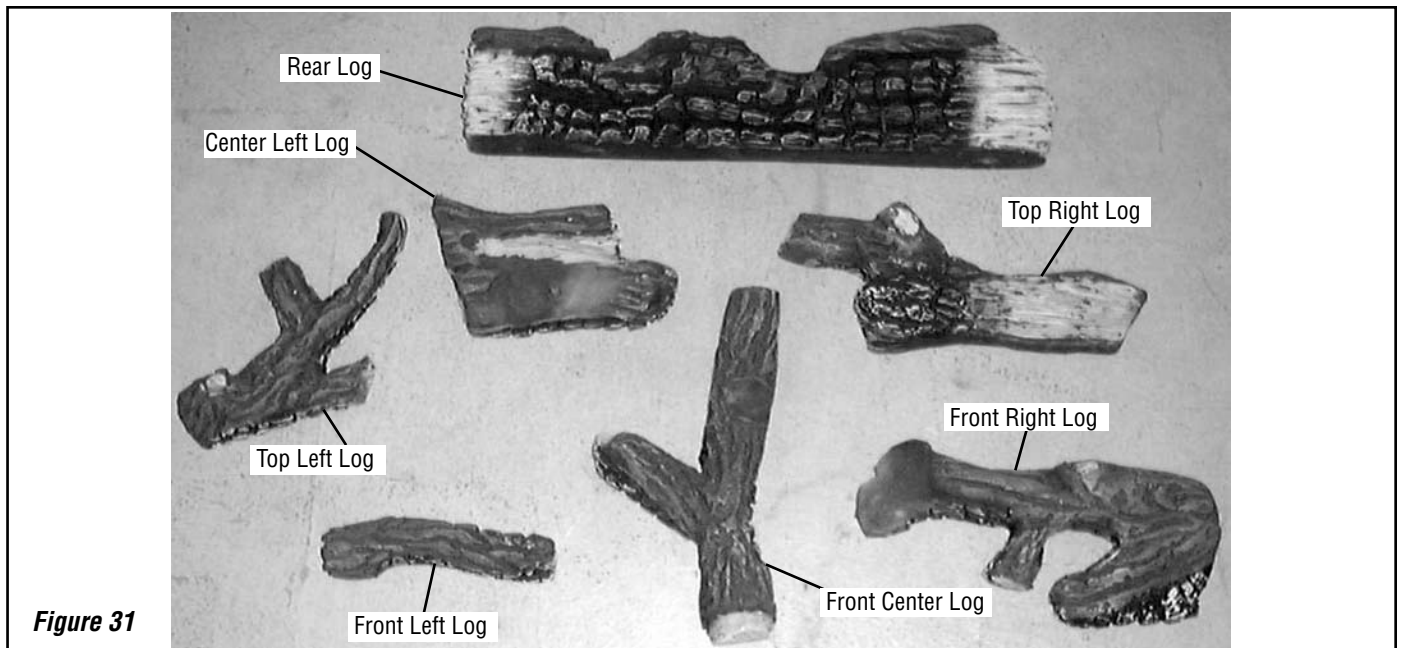
- a. Unpackage and divide the fine ember material (mineral wool) into dime-sized fluffy pieces.
- b. Distribute the pieces over the top of the front burner ports, filling the area in front of the forward logs.



**Figure 30**

Vermiculite

#### LOGS, VERMICULITE AND EMBERS - Model EDVI35



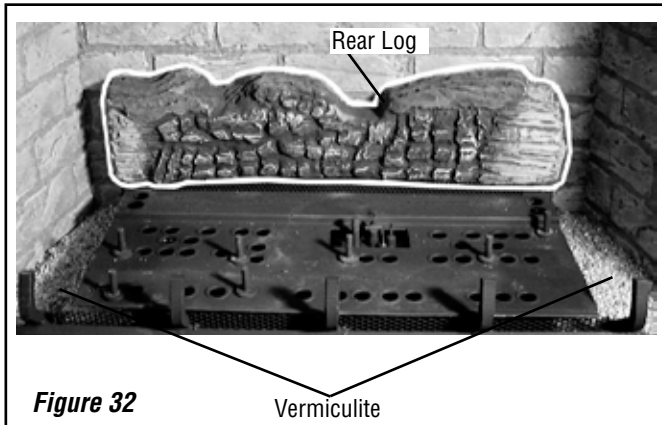
**Figure 31**

### **! WARNING**

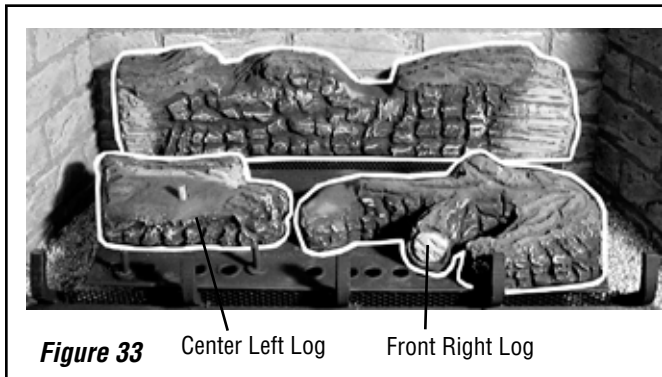
If logs are not installed according to the directions shown here, flame impingement and improper combustion could occur and result in soot and/or excessive production of carbon monoxide (CO) - a colorless, odorless, toxic gas.

Carefully install the seven-piece log set into the firebox as shown in these instructions. All logs should fit onto corresponding pins and/or log stoppers. This will ensure a proper flame and safe combustion.

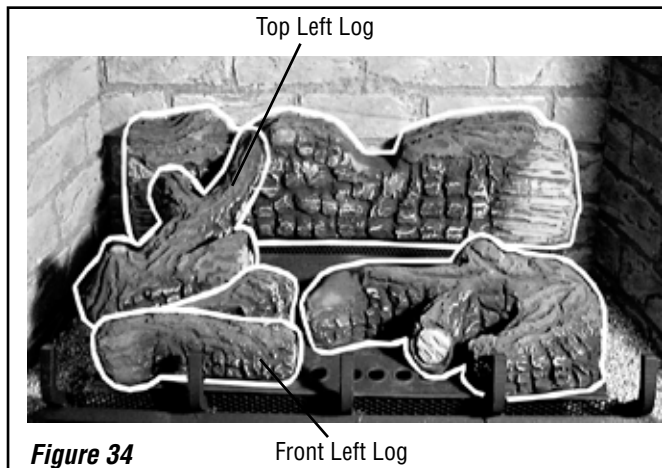
1. Place some vermiculite around the burner as shown in **Figure 32** (the entire bag of vermiculite will NOT be used).
2. Place the Rear Log onto the two corresponding locating pins at the back of the firebox as shown in **Figure 32**.



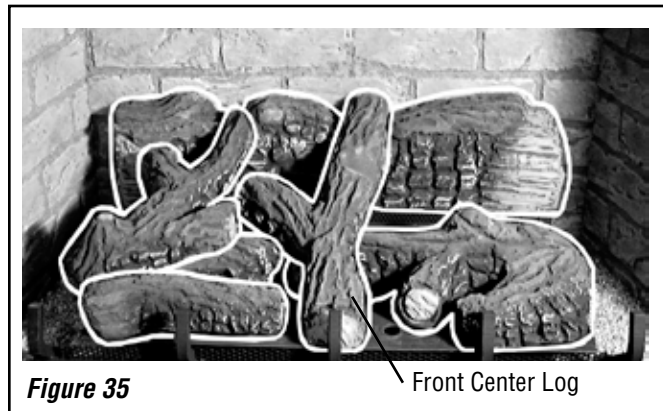
3. Place the Front Right Log and the Center Left Log onto the two corresponding locating pins (each) as shown in **Figure 33**.



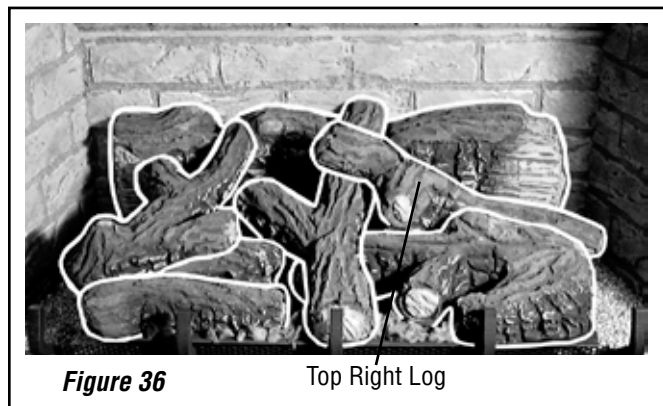
4. Place the Front Left Log onto the two corresponding locating pins, then place the Top Left Log onto the locating pin on the Center Left Log (the log will rest in the corresponding indent on Rear Log). See **Figure 34**.



5. Place the Front Center Log in place as shown in **Figure 35**. The back of the log fits into the corresponding indent on Rear Log.



6. Install the Top Right Log into the corresponding indentations on Front Center Log and Front Right Log as shown in **Figure 36**.

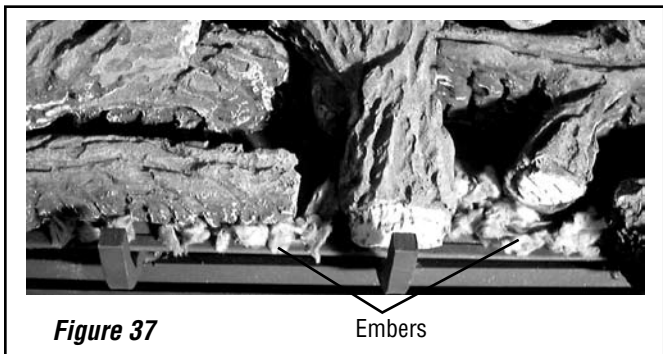


7. Place the glowing embers on the burner as shown in **Figure 37**.

One package of ember material has been included with this log set. You will not need to use the entire bag.

**IMPORTANT: The quantity and placement of the ember material can affect insert performance, therefore, it is very important that it be placed as shown in Figure 37.**

- a. Unpackage and divide the fine ember material (mineral wool) into dime-sized fluffy pieces.
- b. Distribute the pieces over the top of the front burner area in front of the forward logs (see **Figure 37**).

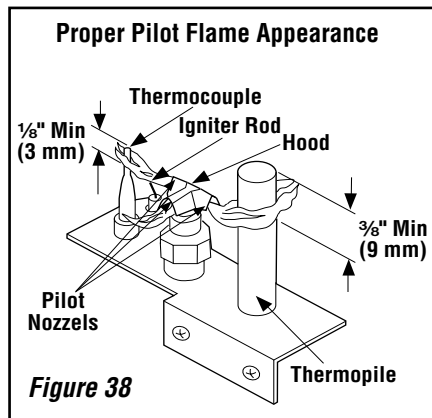


## MILLIVOLT APPLIANCE CHECKOUT

Light the pilot by following the instructions **Pages 16 or 17** of this manual.

The pilot flame should be steady, not lifting or floating. Flame should be blue in color with traces of orange at the outer edge. The top 3/8" (10 mm) at the pilot generator (thermopile) and the top 1/8" minimum (tip) of the quick drop out thermocouple should be engulfed in the pilot flame. The flame should project 1" (25 mm) beyond the hood at all three ports (**Figure 38**).

Replace logs if removed for pilot inspection.



To light the burner, rotate the gas valve control knob counterclockwise to the "ON" position then turn "ON" the on/off switch. To light the burner, rotate the gas valve control knob counterclockwise to the "ON" position then turn "ON" the on/off switch mounted on the surround assembly (see **Figure 4** on **Page 4**) or operate the burner with the optional remote control, wall thermostat or control switch.

With proper care and maintenance, your appliance will provide many years of enjoyment. If you should experience any problem, first refer to the troubleshooting guide in this manual. If problem persists, contact your Lennox Hearth Products Dealer.

## BLOWER OPERATION

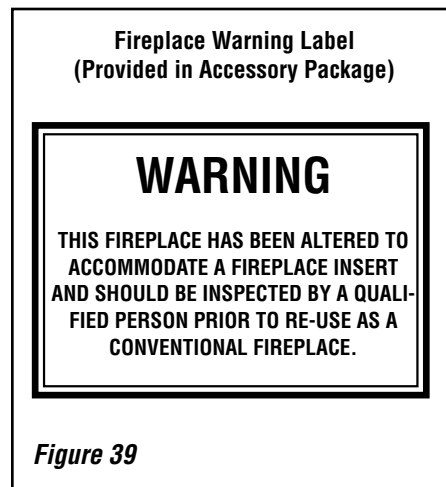
When the insert heats up, the blower will automatically be turned on by the fan disc located under the firebox bottom on the front left side. It will come on at the speed determined by the rheostat located on the side surround panel (see **Figure 4** on **Page 4**). To adjust the blower speed, dial the rheostat to the desired speed setting. Rotate the dial down (clockwise), just past the click (the first ON position) for the highest speed setting. Turning the knob further clockwise will provide slower blower speeds. Note: If the rheostat is not turned "on," the blower will not operate.

## FIREPLACE REQUIREMENTS

**IMPORTANT:** When installing these appliances into a factory built fireplace or heatforms, the air flow within and around the fireplace shall not be altered by the installation of the insert (i.e. DO NOT BLOCK louvers or cooling air inlet or outlet ports, circulating air chambers in a steel fireplace liner or metal heat circulator).

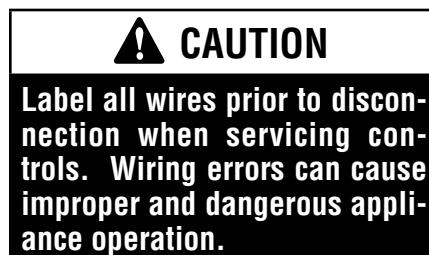
**CAUTION:** The factory built firebox must **accept the insert without modification** other than removing bolted or screwed together pieces such as smoke shelf/deflectors, ash lips, screen or door tracks, log grates, refractory and damper assemblies. Any fireplace component, which is removed, must be retained so they can be reinstalled to restore the fireplace to its original operating condition. The removal of any part must not alter the integrity of the outer shell of the pre-engineered fireplace cabinet in any way.

If any components are removed from (or altered) from the existing fireplace, a Warning Label (see **Figure 39**) must be affixed inside the fireplace firebox, so that it shall be visible upon removal of the fireplace insert. Note: RTV high temperature silicone is an approved adhesive.



## WIRING DIAGRAMS

Wiring diagrams are provided here for reference purposes only. This information is also provided on schematics attached directly to the appliance on a pullout panel located within the control compartment.



NOTE: DIAGRAMS & ILLUSTRATIONS ARE NOT TO SCALE

## Room Air Circulation Blower

**IMPORTANT:** Blower ground wire with power cord green wire should be attached to the ground screw. Failure to do so will result in a potential safety hazard. The appliance must be electrically grounded in accordance with local codes or, in the absence of local codes, the National Electrical Code, ANSI/NFPA 70 - latest edition. (In Canada, the current CSA C22-1 Canadian Electrical Code - latest edition).

**WARNING:** THE POWER CORD MUST BE PLUGGED DIRECTLY INTO A PROPERLY GROUNDED THREE-PRONG 120 VOLT, 60 HZ WALL RECEPTACLE. DO NOT CUT OR REMOVE THE GROUNDING PRONG FROM THIS PLUG. DO NOT ROUTE POWER CORD UNDER OR IN FRONT OF APPLIANCE.

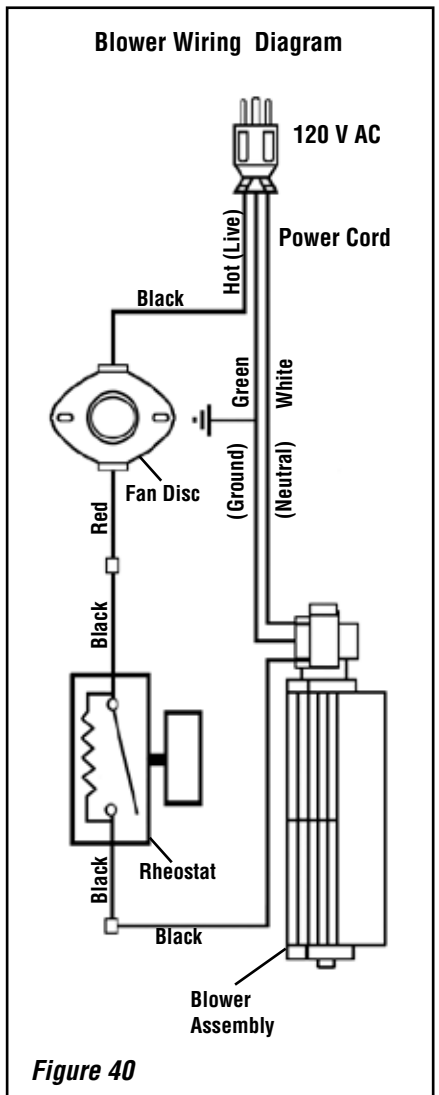
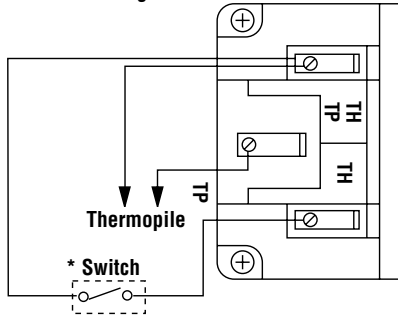


Figure 40

### SIT & Honeywell Millivolt Wiring Diagram

If any of the original wire as supplied must be replaced, it must be replaced with Type AWM 105° C - 18 Gauge wire.



\* On/off Switch, Optional Thermostat or Remote Control Receiver

Figure 41

## ACCESSORY COMPONENTS

### Tall Arch Pane Screen Door Kits

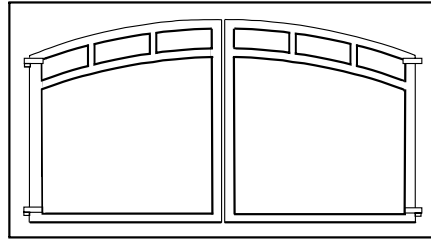
These decorative screen door panels fit on the face of the appliance surround (eliminating the need for the top and bottom louver panels).



CAT#	MODEL#	DESCRIPTION
H3595	TAPSDK25C	25" Charcoal, EDVI25
H3596	TAPSDK25TI	25" Textured Iron, EDVI25
H3597	TAPSDK25SP	25" Satin Pewter, EDVI25
H3840	TAPSDK25PC	25" Pewt/Charc, EDVI25
H3598	TAPSDK30C	30" Charcoal, EDVI30
H3599	TAPSDK30TI	30" Textured Iron, EDVI30
H3600	TAPSDK30SP	30" Satin Pewter, EDVI30
H3841	TAPSDK30PC	30" Pewt/Charc, EDVI30
H3601	TAPSDK35C	35" Charcoal, EDVI35
H3602	TAPSDK35TI	35" Textured Iron, EDVI35
H3603	TAPSDK35TSP	35" Satin Pewter, EDVI35
H3842	TAPSDK35TPC	35" Pewt/Charc, EDVI35

## Screen Door Kits

These decorative screen door panels fit over the standard glass door panels.



Cat. No.	Model	Description
H1501	TPSDK-25	Twin-Pane Screen Door Kit, EDVI25
H0877	TPSDK-30DVI	Twin-Pane Screen Door Kit, EDVI30
H0878	TPSDK-35I	Twin-Pane Screen Door Kit, EDVI35

## Brickaded Liner Kits

The brickaded liner kits include panels for the rear and side walls of the firebox. The panels have brick-like features in relief. These kits can be retrofitted into previously installed Elite™ inserts.

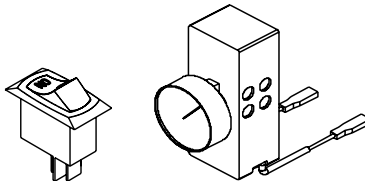


EDVI35 Brick Liner Kit Shown

Cat. No.	Model	Description
H0904	BLK-30DVI	Brick Liner Kit, EDVI30
H0905	BLK-35DVI	Brick Liner Kit, EDVI35
H1513	BLK-25DVI	Brick Liner Kit, EDVI25

## Control Kit

If an optional surround kit is not purchased, this kit is required to provide the on/off switch and rheostat.



Cat. No.	Model	Description
H0919	CK-EI	Control Kit, Elite Inserts

NOTE: DIAGRAMS & ILLUSTRATIONS ARE NOT TO SCALE

## Deluxe Remote Control System

The Model RCL-T (Deluxe) Remote Control System has all of the features of the standard system along with an added easy to read LCD screen which presents access to many enhancements, including; battery power level indicator, timer, mode of operation, thermostatic display including room temperature in either metric or English units, flame indicator and clock. Fully programmable, the Model RCL-T allows for command over nearly all operational and temperature variables, using the hand held remote control transmitter.



Cat. No.	Model	Description
H0251	RCL-T	Remote Control System (Deluxe)

## Standard Remote Control System

The Model RCL (Standard) Remote Control System, features a simple On/Off control function for the insert. This model includes a hand-held transmitter, a remote receiver with wall-mount coverplate and all hardware required to install the unit. The remote receiver can be wall or hearth mounted.



Cat. No.	Model	Description
H0249	RCL	Remote Control System (Standard)

## Touch-Up Powdercoat Paint Kit

Repair of minor scratches and discoloration of the appliance's charcoal powdercoated surfaces may be accomplished with the use of this touch-up paint kit.



Cat. No.	Model	Description
90L74	TPK-C	Touch-Up Powdercoat Paint Kit

## ACCESSORY COMPONENTS

### Wall Thermostat

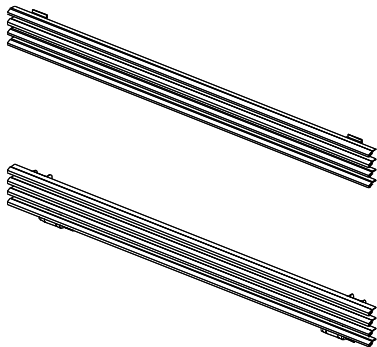
The wall thermostat kit provides temperature control for optimum comfort.



H4635 DWTK Wall Thermostat Kit, Digital

### Decorative Flat Louver Kits

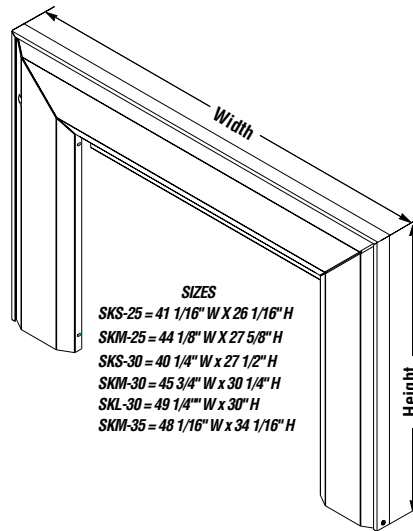
These decorative trim accents, install above and below the glass door. They are available in three different finishes to enhance the beauty of the insert and are sure to fit into any decor.



Cat. No.	Model	Description
H0886	FLK-30DVI	Flat Louver Kit, Charcoal, EDVI30
H0887	FLK-30DVG	Flat Louver Kit, Gold, EDVI30
H0888	FLK-30DVBS	Flat Louver Kit, Brushed Stainless, EDVI30
H0889	FLK-35	Flat Louver Kit, Charcoal, EDVI35
H0890	FLK-35G	Flat Louver Kit, Gold, EDVI35
H0891	FLK-35BS	Flat Louver Kit, Brushed Stainless, EDVI35
H1505	FLK-25	Flat Louver Kit, Charcoal, EDVI25
H1506	FLK-25G	Flat Louver Kit, Gold, EDVI25
H1507	FLK-25BS	Flat Louver Kit, Brushed Stainless, EDVI25

## Surround Kits

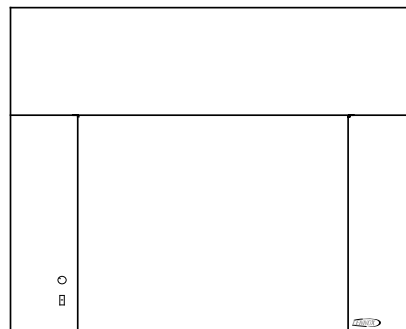
These surround panels install around the insert body providing an attractive finished look.



Cat. No.	Model	Description
H0881	SKS-30	Beveled Surround, Sm, EDVI30
H0882	SKM-30	Beveled Surround, Med, EDVI30
H0883	SKL-30	Beveled Surround, Lg, EDVI30
H0884	SKM-35	Beveled Surround, Med, EDVI35
H1503	SKS-25	Beveled Surround, Sm, EDVI25
H1504	SKM-25	Beveled Surround, Med, EDVI25

## Flat Surround Kits

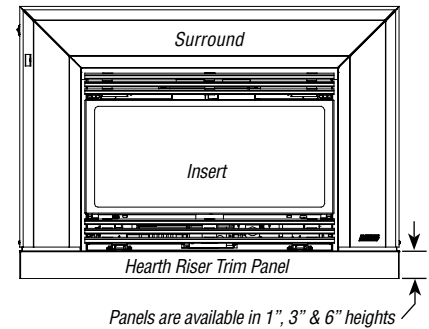
These flat surround kits are designed to have the outside overall dimensions cut down when custom shaped surround trim panels are needed.



Cat. No.	Model	Description
H3389	EFS-E35I	Elite Insert Flat Surround Kit, E35I
H3390	EFS-E30I	Elite Insert Flat Surround Kit, E30I
H3391	EFS-E25I	Elite Insert Flat Surround Kit, E25I

## Hearth Riser Kits

The hearth riser trim kits are designed to be used with the optional surround kits (sold separately). It provides a finished look below the insert face when installed into fireplaces with a elevated firebox.



Cat. No.	Model	Description
EDVI25		
H2042	HRKS1-25	Hearth Riser Kit, SM, E25I, 1"
H2043	HRKS3-25	Hearth Riser Kit, SM, E25I, 3"
H2044	HRKS6-25	Hearth Riser Kit, SM, E25I, 6"
H2045	HRKM1-25	Hearth Riser Kit, MED, E25I, 1"
H2046	HRKM3-25	Hearth Riser Kit, MED, E25I, 3"
H2047	HRKM6-25	Hearth Riser Kit, MED, E25I, 6"
EDVI30		
H2098	HRKS1-30	Hearth Riser Kit, SM, E30I, 1"
H2099	HRKS3-30	Hearth Riser Kit, SM, E30I, 3"
H2100	HRKS6-30	Hearth Riser Kit, SM, E30I, 6"
H2101	HRKM1-30	Hearth Riser Kit, MED, E30I, 1"
H2102	HRKM3-30	Hearth Riser Kit, MED, E30I, 3"
H2103	HRKM6-30	Hearth Riser Kit, MED, E30I, 6"
H2104	HRKL1-30	Hearth Riser Kit, LG, E30I, 1"
H2105	HRKL3-30	Hearth Riser Kit, LG, E30I, 3"
H2106	HRKL6-30	Hearth Riser Kit, LG, E30I, 6"
EDVI35		
H2107	HRKM1-35	Hearth Riser Kit, MED, E30I, 1"
H2108	HRKM3-35	Hearth Riser Kit, MED, E30I, 3"
H2109	HRKM6-35	Hearth Riser Kit, MED, E30I, 6"

SM = used with small surround  
 MED = used with medium surround  
 LG = used with large surround

NOTE: DIAGRAMS & ILLUSTRATIONS ARE NOT TO SCALE

## LIGHTING INSTRUCTIONS – MILLIVOLT GAS VALVE

FOR YOUR SAFETY, READ BEFORE LIGHTING

**WARNING: IF YOU DO NOT FOLLOW THESE INSTRUCTIONS EXACTLY, A FIRE OR EXPLOSION MAY RESULT CAUSING PROPERTY DAMAGE, PERSONAL INJURY OR LOSS OF LIFE.**

- A.** This appliance has a pilot which must be lighted with a piezo igniter. When lighting the pilot, follow these instructions exactly.
- B. BEFORE OPERATING**, smell all around the appliance area for gas. Be sure to smell next to the floor because some gas is heavier than air and will settle on the floor.

### WHAT TO DO IF YOU SMELL GAS

- Extinguish any open flame.
- Open windows.
- Do not light any appliance.
- Do not touch any electrical switches.

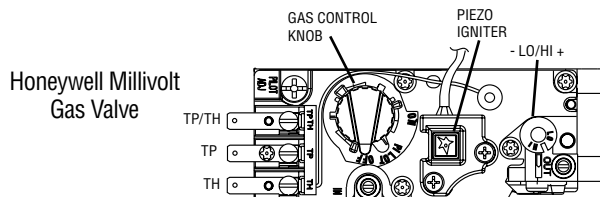
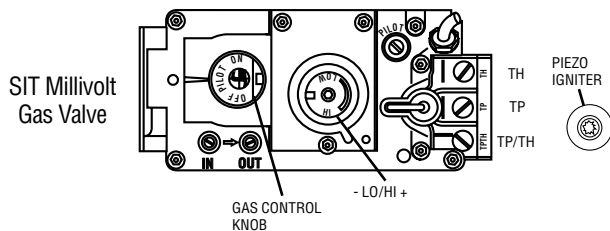
- Do not use any phone in your building.
- Immediately call your gas supplier from a neighbor's phone.
- If your gas supplier cannot be reached, call the fire department.

- C.** Use only your hand to push in or turn the gas control knob. Never use tools. If the knob will not push in or turn by hand, do not try to repair it, call a qualified service technician. Force or attempted repair may result in a fire or an explosion.

- D.** Do not use this appliance if any part has been under water. Immediately call a qualified service technician to inspect the appliance and to replace any part of the control system and any gas control which has been under water.

## LIGHTING INSTRUCTIONS

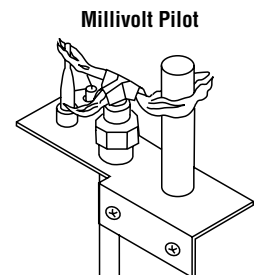
1. **STOP!** Read the safety information above on this page.
2. Access the lower control compartment.
3. Turn remote wall switch to "OFF."
4. Verify main line shut-off valve is open.
5. Push in gas control knob slightly and turn clockwise to "OFF."



6. Wait five (5) minutes to clear out any gas. If you then smell gas, STOP! Follow "B" in the safety information above on this page. If you do not smell gas, go to the next step.
7. Push in gas control knob slightly and turn counterclockwise to "PILOT."
8. Push in control knob all the way and hold in. Immediately light the pilot by triggering the spark igniter (pushing the button) until pilot lights. Continue to hold the control knob in for about 1-1/2 minutes after the pilot is lit. Release knob and it will pop back up. Pilot should remain lit. If it goes out, repeat steps 5 through 8.

- If knob does not pop up when released, stop and immediately call your service technician or gas supplier.
- If pilot will not stay lit after several tries, turn the control knob to "OFF" and call your service technician or gas supplier.

9. Turn gas control knob counterclockwise to "ON."
10. Close lower control compartment.



**Note:** Knob cannot be turned from "PILOT" to "OFF" unless the knob is pushed in slightly. Do not force.

## TO TURN OFF GAS TO APPLIANCE

1. Turn remote wall switch "OFF." The pilot will remain lit for normal service.
2. For complete shutdown, turn remote wall switch to "OFF."
3. Access the lower control compartment.

4. Depress gas control knob slightly and turn clockwise to "OFF." Do not force.
5. Close lower control compartment.



## INSTRUCTIONS D'ALLUMAGE – VANNE GAZ MILLIVOLT

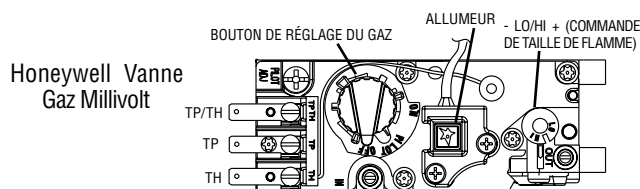
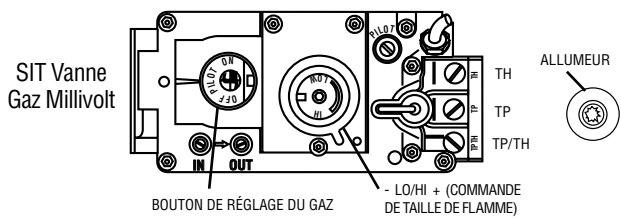
### POUR VOTRE SÉCURITÉ, LISEZ CES INSTRUCTIONS AVANT L'ALLUMAGE

**AVERTISSEMENT : SI VOUS NE SUIVEZ PAS CES INSTRUCTIONS À LA LETTRE, IL POURRAIT S'EN SUIVRE UN INCENDIE OU UNE EXPLOSION CAUSANT DES DOMMAGES MATÉRIELS, DES BLESSURES CORPORELLES OU MÊME DES PERTES DE VIE.**

- A.** Cet appareil est muni d'une veilleuse qui doit être allumée avec un allumeur piézo-électrique. Lorsque vous allumez la veilleuse, suivre exactement ces instructions.
- B. AVANT L'ALLUMAGE:** Assurez-vous que vous ne détectez aucune odeur de gaz autour de l'appareil ainsi que près du sol; certains gaz, étant plus lourds que l'air, descendent au niveau du sol.
- VOICI CE QUE VOUS DEVEZ FAIRE SI VOUS DÉCELEZ UNE ODEUR DE GAZ:**
- Éteignez toute flamme visible.
  - Ouvrez les fenêtres.
  - N'allumez aucun appareil.
  - Ne touchez à aucun commutateur électrique.
  - Ne vous servez d'aucun téléphone dans votre édifice.
- Appelez immédiatement votre compagnie de gaz en utilisant le téléphone du voisin.
  - S'il vous est impossible de contacter votre compagnie de gaz, appelez le service des incendies.
- C.** N'utilisez que votre main pour manipuler le bouton de réglage du gaz. N'utilisez jamais d'outils. Si le bouton refuse de tourner ou de bouger, n'essayez pas de le réparer. Communiquez immédiatement avec un technicien de service qualifié. Toute tentative pour le forcer ou le réparer, risquerait de provoquer un incendie ou une explosion.
- D.** Ne vous servez pas de cet appareil si l'un de ses éléments a été immergé dans l'eau. Appelez immédiatement un technicien compétent pour faire inspecter l'appareil et remplacer toute pièce du système de réglage ou commande du gaz qui a été sous l'eau.

### INSTRUCTIONS D'ALLUMAGE

- 1. ARRÊTEZ!** Lisez les consignes de sécurité au verso de cette plaque.
- Ouvrez le compartiment de contrôle du bas.
- Tournez l'interrupteur mural à la position d'arrêt "OFF".
- Assurez-vous que la soupape d'arrêt de la canalisation principale est ouverte.
- Enfoncez légèrement le bouton de réglage du gaz et tournez-le dans le sens des aiguilles d'une montre jusqu'à la position d'arrêt "OFF".



**Remarque:** Il est impossible de tourner le bouton de "PILOT" à "OFF" à moins qu'il ne soit légèrement enfoncé. Ne le forcez pas.

- Attendez cinq (5) minutes pour l'évacuation du gaz. Si vous décelez une odeur de gaz, ARRÊTEZ ! Retournez au point "B" des consignes de sécurité au verso de cette plaque. Si vous ne remarquez aucune odeur de gaz, passez à l'étape suivante.
- Enfoncez légèrement le bouton de réglage du gaz et tournez-le en sens inverse des aiguilles d'une montre jusqu'à la position de veilleuse "PILOT".

- Enfoncez le bouton de réglage jusqu'au fond et gardez-le enfoncé. Allumez immédiatement la veilleuse en déclenchant l'allume-gaz à étincelle (en poussant le bouton) jusqu'à ce que la veilleuse s'enflamme. Continuez de tenir le bouton de réglage enfoncé pendant environ 90 secondes après l'allumage de la veilleuse. Relâchez le bouton et il sortira subitement. La veilleuse devrait rester allumée. Si elle s'éteint, répétez les étapes 5 à 8 inclusivement.

- Si le bouton ne sort pas automatiquement après avoir été relâché, arrêtez immédiatement et téléphonez à votre technicien de service ou à votre fournisseur de gaz.

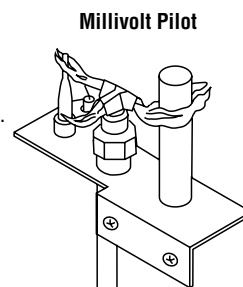
- Si la veilleuse refuse de rester allumée après plusieurs tentatives, tournez le bouton de réglage jusqu'à sa position d'arrêt "OFF" et téléphonez à votre technicien de service ou à votre fournisseur de gaz.

- Tournez le bouton de réglage du gaz en sens inverse des aiguilles d'une montre jusqu'à sa position de marche "ON".

- Fermez le compartiment de contrôle du bas.

- Au besoin, rebrancher l'appareil au courant électrique et remettre l'interrupteur du brûleur principal à la position "ON" ou régler le thermostat à la température désirée.

- Si l'appareil ne fonctionne pas, suivre les instructions intitulées "Pour fermer le gaz qui alimente l'appareil" et appeler un technicien ou le fournisseur de gaz.



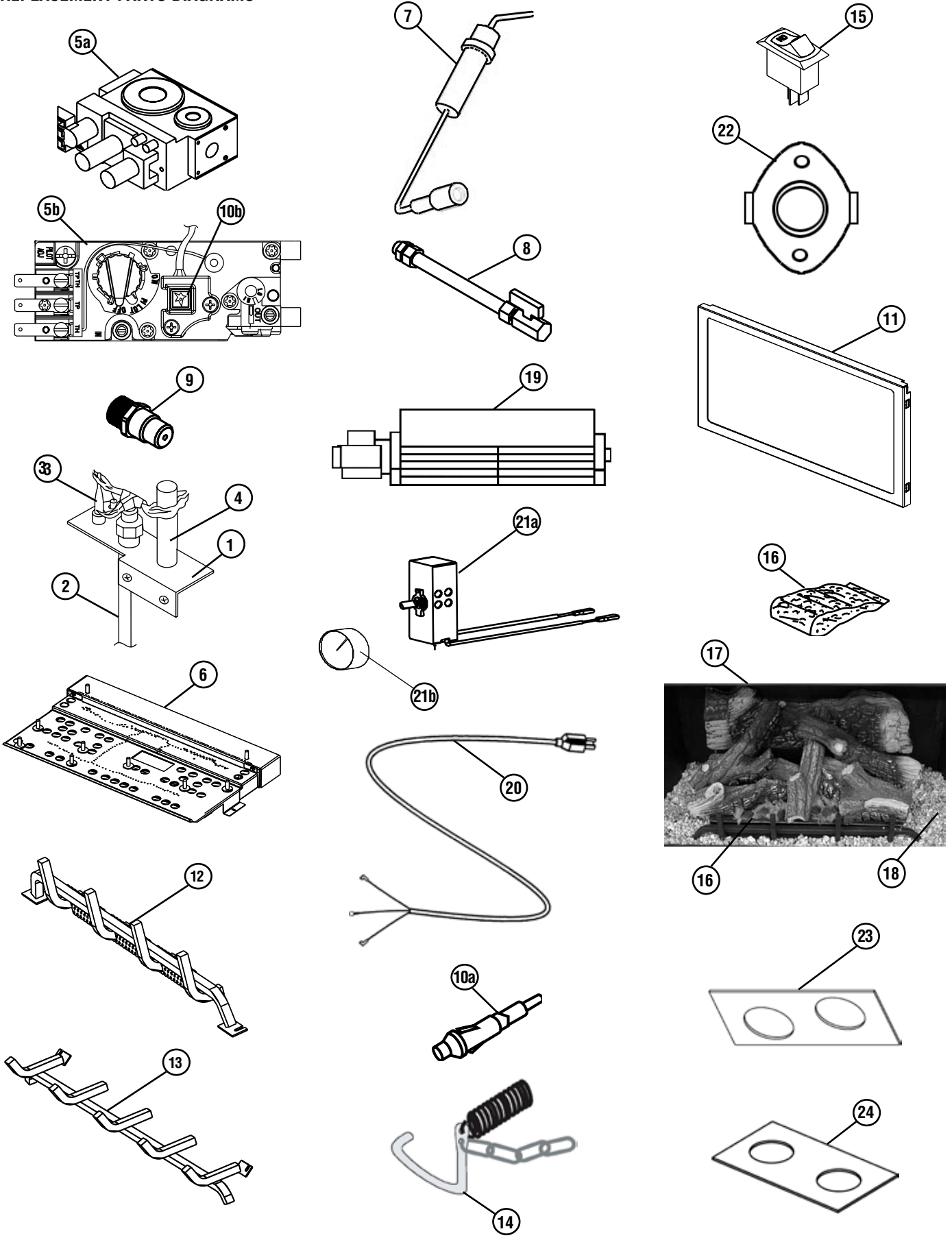
### POUR FERMER LE GAZ QUI ALIMENTE L'APPAREIL

- Tournez l'interrupteur mural à la position d'arrêt "OFF". La veilleuse restera allumée jusqu'au retour du service normal.
- Pour une fermeture complète, tournez l'interrupteur mural à la position d'arrêt "OFF".
- Ouvrez le compartiment de contrôle du bas.
- Enfoncez légèrement le bouton de réglage du gaz et tournez-le dans le sens des aiguilles d'une montre jusqu'à la position d'arrêt "OFF". Ne forcez pas le bouton.
- Fermez le compartiment de contrôle du bas.

## REPLACEMENT PARTS LIST

Gas Controls			
Item #	Part/Cat. No.	Description	Where Used
1	67L70	Pilot Assembly, NG/LP	All
2	67L68	Pilot Tube	All
3	67L67	Thermocouple	All
4	60J79	Thermopile (pilot generator)	All
10a	10K86	Piezo Igniter (wire not included)	EDVI25
10b	24M89	Piezo Igniter (wire included)	EDVI30 & EDVI35
7	67L87	Electrode Cable (piezo igniter wire w/ electrode)	All
5a	H1657	Gas Valve, NG – SIT	EDVI25
5b	H6196	Gas Valve, NG – Honeywell	EDVI30 & EDVI35
Misc. Gas Components			
6	H1127	Burner Assembly NG/LP	EDVI25 & EDVI30
6	H1160	Burner Assembly NG/LP	EDVI35
	H0920	GCKNL-E30I, Conversion Kit, NG to LP	EDVI30
	H0921	GCKNL-E35I, Conversion Kit, NG to LP	EDVI35
	H1576	GCKNL-E25I, Conversion Kit, NG to LP	EDVI25
8	93L32	Connector-Flex Gas	ALL
9	21L79	Orifice, Burner, NG (.#41)	EDVI25
9	24M10	Orifice, Burner, NG (.#37)	EDVI30
9	99K77	Orifice, Burner, NG (#33)	EDVI35
9	39L10	Orifice, Burner, LP (#53)	EDVI25
9	21L01	Orifice, Burner, LP (.0625)	EDVI30
9	H0922	Orifice, Burner, LP (#51)	EDVI35
Miscellaneous Parts			
11	H1585	Door Kit, Complete	EDVI25
11	H0923	Door Kit, Complete	EDVI30
11	H0924	Door Kit, Complete	EDVI35
23	H1393	Gasket, Flue Adapter	EDVI25
24	H6236	Gasket, Flue Adapter	EDVI30 & EDVI35
12	H0928	Grate Assembly	EDVI25 & EDVI30
13	H0927	Grate Assembly	EDVI35
14	H0929	Lock Assembly, Door (w/spring)	All
15	27K30	Switch, On/Off	All
Log Sets			
16	88L53	FGE Glowing Embers	All
17	H6235	Log Set, 7 pc.	EDVI25 & EDVI30
17	H1103	Log Set, 7 pc.	EDVI35
18	H3696	Vermiculite, Bag	All
Room Air Blower System			
19	H1391	Blower Assembly, 7"	EDVI25
19	H1141	Blower Assembly, 9"	EDVI30 & EDVI35
20	H1157	Power Cord	All
21a	H1290	Rheostat (knob included)	All
21b	527	Knob, Rheostat	All
22	13M23	Switch, Temp. Control (TOD)	All

# REPLACEMENT PARTS DIAGRAMS



NOTE: DIAGRAMS & ILLUSTRATIONS ARE NOT TO SCALE

# TROUBLESHOOTING THE MILLIVOLT GAS CONTROL SYSTEM

**Note:** Before troubleshooting the gas control system, be sure external gas shut off valve (located at gas supply inlet) is in the "ON" position.

**Important:** Valve system troubleshooting should only be accomplished by a qualified service technician.

SYMPTOM	POSSIBLE CAUSES	CORRECTIVE ACTION
<p>1) Spark igniter will not light pilot after repeated triggering of igniter button.</p> <p><b>WARNING: IF THE PILOT WILL NOT LIGHT AFTER ONE MINUTE OF ATTEMPTING, WAIT FOR AT LEAST FIVE MINUTES FOR GAS TO CLEAR BEFORE ATTEMPTING AGAIN.</b></p>	A. Electrode wire (at Piezo Igniter) not pushed completely on.	• Check connection
	B. Piezo igniter is defective	• Replace piezo igniter
	C. Defective or misaligned electrode at pilot (spark at electrode)	• Using a match, light pilot. If pilot lights, turn off pilot and trigger the igniter button again. If pilot lights, an improper gas mixture caused the bad lighting and a longer purge period is recommended. If pilot will not light – check gap at electrode and pilot – It should be between 1/8" and 3/16." If the gap is out of this range, adjust the gap or replace the pilot assembly. ( <b>Page 13, Figure 38</b> )
	D. Incorrect lighting procedure	• Carefully follow the lighting instructions on <b>Pages 16 &amp; 17</b> or as found in the insert control compartment.
	E. Gas supply problem	• Check for multiple gas shut-offs. Check gas supply lines. Check inlet gas pressure. It should be within the limits as marked on the rating plate.
	F. Pilot orifice plugged	• Clean or replace pilot orifice
<p>2) Pilot will not stay lit after carefully following the lighting instructions.</p>	A. Thermocouple is not firmly connected to control valve	• Check connection at valve
	B. Pilot flame is not directed to top of thermocouple	• Ensure thermocouple is fully inserted into pilot assembly. Clean and/or adjust pilot for maximum flame impingement on thermocouple if necessary.
	C. Thermocouple is defective. The millivolt production should be a minimum of 14 MV with pilot only.	• Replace thermocouple
<p>3) Pilot flame stays lit, but main burner will not light. (Valve pilot/on/off knob is in ON position, on/off switch, wall thermostat or remote control is set to ON).</p> <p>Read important note below.</p> <p><b>IMPORTANT NOTE: If an optional Remote Switch* is used for burner operation and if the standard burner OFF/ON switch is still installed on appliance, it must be in the "OFF" position.</b></p>	A. Burner control switch (on/off switch, wall thermostat or remote control) is in "OFF" position; or thermostat (if installed) is set to a temperature setting that is too low.	• Turn burner on/off switch on and/or refer to instructions provided with optional thermostat or remote control, if applicable.
	B. Electrical wiring is damaged or poorly connected or remote switch is defective.	• Check wall switch and wires for proper connections. Refer to Millivolt Wiring Diagram ( <b>Page 14, Figure 41</b> ). Jump the wire across terminals at the wall switch, if the burner comes on, replace the defective wall switch. If okay, jumper the wires across the wall switch wires at the valve. If the burner comes on, wires are faulty or connections are bad.
	C. One of the following components may be defective: burner control switch, thermostat or thermopile. Thermopile: Millivolt production should be a minimum of 325 MV with pilot only.	• Refer to Millivolt Wiring Diagram ( <b>Page 14, Figure 41</b> ). Electrically bypass components one at a time and replace defective item.
	D. Thermopile may not be generating sufficient millivolts	• Check thermopile with millivolt meter. Take reading at thermopile terminals of gas valve. It should read 325 millivolts minimum with optional wall switch "OFF." Replace faulty thermopile if reading is below specified minimum.
	E. Plugged burner orifice	• Check burner orifice for blockage and remove.
	F. OFF/ON Switch & Remote Switch* are in the "ON" position resulting in excessive resistance	• When turning on the burner using a Remote Switch,* ensure that the standard OFF/ON Switch is in the "OFF" position. If both switches are in the ON position, it may result in excessive resistance (& millivolt drainage) and the burner may not come on.
<p>4) Frequent pilot/burner outage problem</p>	A. Pilot flame may be too low or blowing (high) causing the pilot/valve safety to drop out.	• Clean and/or adjust pilot flame for maximum flame impingement on thermocouple ( <b>Page 13, Figure 38</b> ).
<p>5) Smell of gas</p>	A. Pilot, gas supply system, or pilot & burner adjustment screws on valve may be leaking. <b>FOLLOW INSTRUCTIONS ON THE COVER OF THIS MANUAL</b>	• <b>WARNING: NEVER USE AN OPEN FLAME TO CHECK FOR LEAKS.</b> After the gas company or fire department has given clearance to re-enter the dwelling, have a qualified technician test all gas joints from the gas meter to the gas heater regulator for leaks using a gas leak test solution (also referred to as bubble leak solution).
<p>6) A thin coating of black soot forms on the window. NOTE: See <b>Page 5, Glass Cleaning.</b></p>	A. Burner primary air inlet is restricted or blocked	• Ensure all openings (fresh air inlets) in the insert are free from dust and debris. Recheck these areas periodically.
	B. Flames make contact with logs or other surfaces	• Ensure ceramic logs are in their correct positions.
	C. Improper venting	• Check for flue blockage, disconnected flue, improper installation. Make appropriate corrections.
<p>7) A white coating forms on windows, logs, and/or inside walls of firebox.</p>	A. Residues/impurities being burned off or impurities in the fuel	• Follow cleaning guidelines outlined in the MAINTENANCE section of this manual.

**NOTES:**

THIS PAGE LEFT BLANK INTENTIONALLY

**NOTES:**

**NOTES:**

THIS PAGE LEFT BLANK INTENTIONALLY

## WARRANTY

Your gas appliance is covered by a limited warranty (see warranty certificate provided with appliance). Please read the warranty to be familiar with its coverage.

Retain this manual. File it with your other documents for future reference.

## PRODUCT REFERENCE INFORMATION

We recommend that you record the following important information about your fireplace. Please contact your Lennox dealer for any questions or concerns. For the number of your nearest Lennox dealer, please call 1-800-9-LENNOX.

## REPLACEMENT PARTS

See **Pages 18 and 19** for a complete replacement parts list. Use only parts supplied from the manufacturer.

Normally, all parts should be ordered through your Lennox distributor or dealer. Parts will be shipped at prevailing prices at time of order.

When ordering repair parts, always give the following information:

1. The model number of the appliance.
2. The serial number of the appliance.
3. The part number.
4. The description of the part.
5. The quantity required.
6. The installation date of the appliance.

If you encounter any problems or have any questions concerning the installation or application of this system, please contact your dealer.

## LENNOX HEARTH PRODUCTS

1110 West Taft  
Orange, CA 92865  
visit us at [www.Lennox.com](http://www.Lennox.com)

Your Fireplace Insert's Model Number \_\_\_\_\_  
Your Fireplace Insert's Serial Number \_\_\_\_\_  
The Date On Which Your Fireplace Insert Was Installed \_\_\_\_\_  
The Type of Gas Your Fireplace Insert Uses \_\_\_\_\_  
Your Dealer's Name \_\_\_\_\_  
Fuel Type (Check one)  Natural Gas  Propane Gas (LP)

**NATIONAL  
FIREPLACE  
INSTITUTE**



**CERTIFIED**  
[www.nficertified.org](http://www.nficertified.org)

We recommend that our gas hearth products be installed and serviced by professionals who are certified in the U.S. by the National Fireplace Institute® (NFI) as NFI Gas Specialists.

**NATIONAL  
FIREPLACE  
INSTITUTE**



**CERTIFIED**  
[www.nficertified.org](http://www.nficertified.org)

Nous recommandons que nos foyers au gaz soient installés et que l'entretien soit effectué par des professionnels certifiés par le National Fireplace Institute® (NFI). (Etats-Unis seulement)

Lennox reserves the right to make changes at any time, without notice, in design, materials, specifications, prices and also to discontinue colors, styles and products. Consult your local distributor for fireplace code information.

**LENNOX**<sup>TM</sup>

**HEARTH PRODUCTS**

1110 West Taft Avenue • Orange, CA 92865

Printed in U.S.A. © LENNOX HEARTH PRODUCTS 2003

24 P/N 775,157M REV. J 12/2007



## Free Manuals Download Website

<http://myh66.com>

<http://usermanuals.us>

<http://www.somanuals.com>

<http://www.4manuals.cc>

<http://www.manual-lib.com>

<http://www.404manual.com>

<http://www.luxmanual.com>

<http://aubethermostatmanual.com>

Golf course search by state

<http://golfingnear.com>

Email search by domain

<http://emailbydomain.com>

Auto manuals search

<http://auto.somanuals.com>

TV manuals search

<http://tv.somanuals.com>