

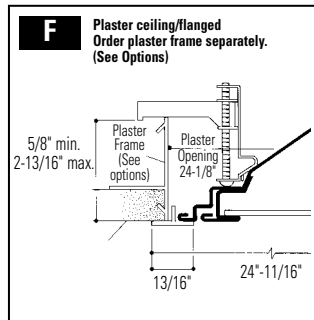
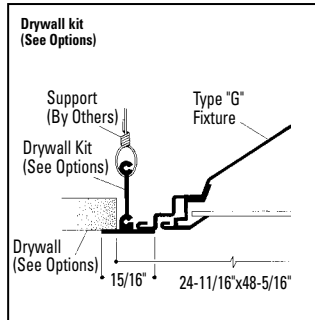
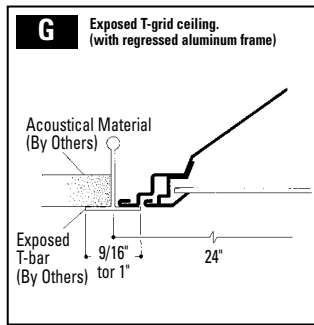
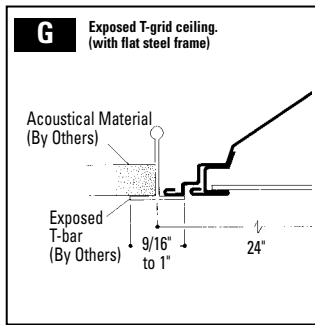
XP/XA 2' x 4' Lens Recessed Fluorescent **XP/XA432**

Features

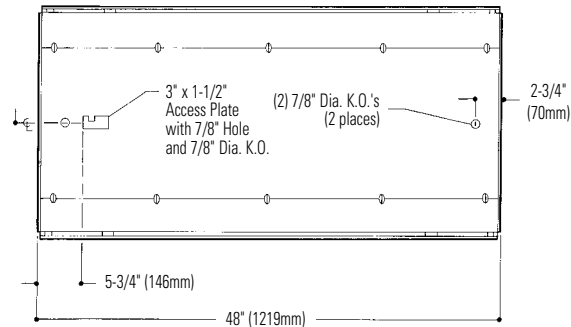
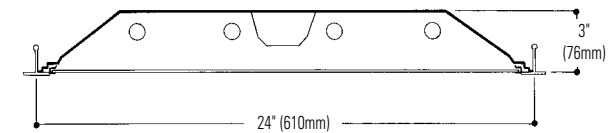
- Efficiency 83.0%.
- Shallow 3" deep housing.
- Ribbed housing for strength and stability.
- Ends of housing formed inward for safe handling.
- Built-in earthquake clips.
- Hemmed-over side rails for safe handling.
- Ends have screw dimples for installation to T-bar (no fixture or ceiling distortion).
- Flat steel or regressed aluminum lens frame with mitered corners.
- Edges of steel door frame hemmed-over for safe handling.
- No light leak.
- Internal "T" hinges – easy installation and maintenance.
- Rooster head spring latches.
- Meets code 30 requirements in New England.



Mounting Methods



Dimensions



Job Information

Type:

Job Name:

Cat. No.:

Lamp(s):

Volts/Ballast:


Lightolier a Genlyte Thomas Company www.lightolier.com
 Technical Information: (978) 657-7600 • Fax (978) 658-0595
 631 Airport Road, Fall River, MA 02720 • (508) 679-8131 • Fax (508) 674-4710
 We reserve the right to change details of design, materials and finish.
 © 2002 Genlyte Thomas Group LLC (Lightolier Division) A0303

LIGHTOLIER®

XP/XA 2' x 4' Lens Recessed Fluorescent **XP/XA432**

Photometry

Model No. XP2GVA43212004



GI TESTING LABORATORY

45 Industrial Way
Wilmington, MA 01887
(978) 657-7600

REPORT NO.: G22910 DATE: 7/2/02
 CATALOG NO.: XP2GVA43212004
 LAMP(S): 4 P32T8, EACH RATED 2850 LUMENS
 LUMINAIRE: 2X4 G TROFFEN w/ VA LENS TRIAD B432112GRK-A

CANDELA DISTRIBUTION

| 0 | 0 | 22.5 | 45.0 | 67.5 | 90.0 | FLUX |
|----|------|------|------|------|------|------|
| 0 | 3951 | 3551 | 3551 | 3551 | 3551 | |
| 5 | 3559 | 3554 | 3546 | 3535 | 3527 | 338 |
| 15 | 3433 | 3441 | 3475 | 3497 | 3505 | 981 |
| 25 | 3158 | 3195 | 3259 | 3321 | 3410 | 1517 |
| 35 | 2735 | 2801 | 2963 | 3101 | 3154 | 1844 |
| 45 | 2140 | 2210 | 2364 | 2507 | 2568 | 1815 |
| 55 | 1426 | 1496 | 1630 | 1678 | 1719 | 1429 |
| 65 | 819 | 844 | 835 | 888 | 945 | 863 |
| 75 | 487 | 463 | 371 | 428 | 472 | 468 |
| 85 | 264 | 295 | 178 | 176 | 193 | 201 |
| 90 | 29 | 35 | 38 | 40 | 39 | |

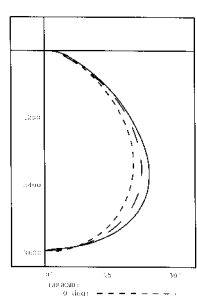
ZONAL LUMEN SUMMARY

| ZONE | LUMENS | %LAMP | %FIXT |
|--------|--------|-------|-------|
| 0-30 | 2836 | 25.0 | 30.0 |
| 0-40 | 4679 | 41.0 | 50.0 |
| 0-60 | 7923 | 70.0 | 84.0 |
| 0-90 | 9454 | 83.0 | 100.0 |
| 90-180 | 0 | 0.0 | 100.0 |
| 0-180 | 9454 | 83.0 | 100.0 |

TOTAL LUMINAIRE EFFICIENCY = 83.0%
 CIR TYPE - DIRECT

FLARE : 0-DEG 90-DEG
 SPACING CRITERIA : 1.2 1.4
 SHIELDING ANGLES : 90 90
 FLARE : 0-DEG 90-DEG
 LUMINOUS LENGTH : 46.000 21.000

LUMINANCE DATA IN CANDELA/SQ M
 ANGLE AVERAGE AVERAGE AVERAGE
 IN DEG 0-DEG 45-DEG 90-DEG
 45 4854 5362 5825
 55 3988 4558 4804
 65 3108 3169 3587
 75 3018 2299 2925
 85 3754 3276 3497



THIS REPORT IS BASED ON PUBLISHED INDUSTRY PROCEDURES • FIELD PERFORMANCE MAY VARY FROM LABORATORY PERFORMANCE.

LER = FL - 74.3 IW - 112 BF - 0.88
 Comparative yearly lighting energy cost per 1000 lumens = \$3.23

coefficients of utilization — zonal cavity method (effective floor cavity reflectance 0.20)

| RF | 20 | | | 20 | | | 20 | | |
|----|----|----|----|----|----|----|----|----|----|
| | RC | 80 | 50 | RC | 80 | 50 | RC | 80 | 50 |
| RW | 70 | 50 | 30 | 50 | 30 | 10 | 50 | 30 | 10 |
| 1 | 91 | 87 | 84 | 82 | 79 | 77 | 78 | 76 | 74 |
| 2 | 83 | 76 | 71 | 72 | 68 | 64 | 69 | 66 | 63 |
| 3 | 76 | 68 | 61 | 64 | 59 | 55 | 62 | 57 | 54 |
| 4 | 70 | 60 | 53 | 57 | 51 | 47 | 55 | 50 | 46 |
| 5 | 64 | 54 | 47 | 51 | 45 | 41 | 50 | 45 | 40 |
| 6 | 60 | 49 | 42 | 47 | 41 | 36 | 45 | 40 | 36 |
| 7 | 55 | 44 | 37 | 42 | 36 | 32 | 41 | 36 | 32 |
| 8 | 52 | 41 | 34 | 39 | 33 | 29 | 38 | 32 | 28 |
| 9 | 48 | 37 | 31 | 36 | 30 | 26 | 35 | 30 | 26 |
| 10 | 45 | 34 | 28 | 33 | 27 | 23 | 32 | 27 | 23 |

visual comfort probability (rated lumens per lamp 2850.)

| room size | ceiling height | | | | ceiling height | | | | | |
|-----------|----------------|-----|-----|------|----------------|------|-----|------|------|------|
| | W | L | 8.5 | 10.0 | 13.0 | 16.0 | 8.5 | 10.0 | 13.0 | 16.0 |
| 20 | 20 | 30 | 54 | 59 | 67 | 76 | 53 | 57 | 63 | 72 |
| 20 | 30 | 40 | 46 | 51 | 57 | 64 | 47 | 50 | 54 | 61 |
| 20 | 40 | 60 | 41 | 45 | 51 | 57 | 43 | 46 | 49 | 53 |
| 20 | 60 | 80 | 37 | 41 | 45 | 51 | 39 | 42 | 45 | 49 |
| 30 | 20 | 30 | 56 | 60 | 65 | 73 | 55 | 59 | 63 | 71 |
| 30 | 30 | 40 | 47 | 51 | 55 | 62 | 48 | 51 | 54 | 59 |
| 30 | 40 | 60 | 42 | 45 | 49 | 54 | 43 | 46 | 49 | 52 |
| 30 | 60 | 80 | 37 | 41 | 43 | 48 | 39 | 42 | 44 | 47 |
| 30 | 80 | 100 | 35 | 38 | 40 | 44 | 37 | 40 | 41 | 44 |
| 40 | 20 | 30 | 58 | 62 | 67 | 72 | 57 | 61 | 65 | 71 |
| 40 | 30 | 40 | 49 | 53 | 56 | 61 | 49 | 53 | 55 | 59 |
| 40 | 40 | 60 | 43 | 46 | 50 | 53 | 45 | 47 | 49 | 52 |
| 40 | 60 | 80 | 38 | 41 | 43 | 47 | 40 | 43 | 44 | 47 |
| 40 | 80 | 100 | 35 | 38 | 39 | 43 | 38 | 40 | 41 | 44 |
| 40 | 100 | 100 | 34 | 36 | 37 | 40 | 37 | 39 | 39 | 42 |
| 60 | 30 | 40 | 50 | 54 | 57 | 62 | 50 | 54 | 56 | 60 |
| 60 | 40 | 60 | 44 | 48 | 50 | 54 | 45 | 48 | 50 | 53 |
| 60 | 60 | 80 | 39 | 42 | 43 | 47 | 41 | 43 | 44 | 47 |
| 60 | 80 | 100 | 35 | 38 | 39 | 43 | 38 | 40 | 41 | 44 |
| 60 | 100 | 100 | 34 | 36 | 37 | 40 | 36 | 38 | 39 | 41 |
| 100 | 40 | 60 | 47 | 50 | 53 | 57 | 48 | 51 | 52 | 55 |
| 100 | 60 | 80 | 42 | 44 | 46 | 49 | 43 | 45 | 46 | 49 |
| 100 | 80 | 100 | 38 | 40 | 41 | 44 | 40 | 42 | 43 | 45 |
| 100 | 100 | 100 | 36 | 37 | 38 | 41 | 38 | 40 | 40 | 41 |

Ordering Information

Explanation of Catalog Number. Example: XP2GVA232120SGLR

| | | | | | | | |
|--|---------------|--|--|---|--|------------------------|---|
| XP | 2 | VA | 4 | 32 | | | |
| Recessed Fluorescent with Flat Steel Lens Frame XA = Recessed Fluorescent with Regressed Aluminum Lens Frame | Fixture Width | Ceiling Type: G = Grid (lay-in) T-bar F = Flanged (overlap) Z spline and plaster frame | Lens Shielding Type: VA = Virgin Acrylic (standard) see options and consult factory | Lamp Quantity: (By others) 4 = 4-Lamp | Lamp Fixture Length: 32=T8, 4' Length | Voltage: 120 or 277 | Options: Add appropriate suffix to catalog no, ie: (GLR) |
| Ballast: 2-2 Lamp Elec. (T8) <20THD <10THD 1-4 Lamp Elec. (T8) SO* HI* LOL Dimming (T8) O4* H4* PS *Instant Start Standard Other dimming options. Consult factory. | | | | | | | |

Options/Accessories

Special Lens: Substitute VI for .125" nominal pattern. For other lenses, consult factory.

Access Plates: Top wiring access plate is shipped with fixture as standard. When access plates are required in advance for wiring convenience, specify separately. Order Catalog number: **ACPX CSP**.

Electrical Wiring Options: Consult factory.

Fusing: Internal fast-blow fusing. Suffix: **GLR**.

Internal slow-blow fusing. Suffix: **GMF**.

Radio Interference Filter: 120 or 277 volt, 50 or 60 Hz. One per fixture: Suffix: **R**. One per ballast: Suffix: **B**.

Drywall Kit: Order Catalog Number: **FK92x4** (Request Folio OA30-10).

Specifications

Performance: In an installation of 4 lamps 32 W luminaires in a room cavity of 1, with reflectance of 80% ceiling, 50% walls, 20% floor, the C.U. shall not be less than .87. To control veiling reflections, luminaire output in the 30°-90° zone shall be not less than 70%.

Materials: Chassis parts are die-formed code gauge cold rolled steel.

Housing is embossed for added strength and rigidity with all edges turned over for safe handling. **Lens frames**—(XP) flat full-size steel frame, (XA) regressed full-size aluminum frame.

Finish: Chassis exterior—white baked polyester enamel. **Cavity**—white baked polyester enamel minimum 86% reflectance. Phosphate undercoating.

Specifications (continued)

Lens: Extruded virgin acrylic 3/16" square based female cones, running 45° to the panel edge. .095" nominal thickness (similar to pattern 12).

Electrical: Thermally protected class "P" ballast C.B.M. approved, non PCB. If K.O. is within 3" of ballast, use wire suitable for at least 90°.

Labels: I.B.E.W./UL and ULc Listed.

Job Information Type:

Lightolier a Genlyte Thomas Company www.lightolier.com
 Technical Information: (978) 657-7600 • Fax (978) 658-0595
 631 Airport Road, Fall River, MA 02720 • (508) 679-8131 • Fax (508) 674-4710
 We reserve the right to change details of design, materials and finish.
 © 2002 Genlyte Thomas Group LLC (Lightolier Division) A0303

LIGHTOLIER®

Free Manuals Download Website

<http://myh66.com>

<http://usermanuals.us>

<http://www.somanuals.com>

<http://www.4manuals.cc>

<http://www.manual-lib.com>

<http://www.404manual.com>

<http://www.luxmanual.com>

<http://aubethermostatmanual.com>

Golf course search by state

<http://golfingnear.com>

Email search by domain

<http://emailbydomain.com>

Auto manuals search

<http://auto.somanuals.com>

TV manuals search

<http://tv.somanuals.com>