

WIRE-MATIC 255

For use with machines having Code Numbers: **10166,**
10167.

Safety Depends on You

Lincoln arc welding and cutting equipment is designed and built with safety in mind. However, your overall safety can be increased by proper installation ... and thoughtful operation on your part. DO NOT INSTALL, OPERATE OR REPAIR THIS EQUIPMENT WITHOUT READING THIS MANUAL AND THE SAFETY PRECAUTIONS CONTAINED THROUGHOUT. And, most importantly, think before you act and be careful.



SERVICE MANUAL

LINCOLN[®]
ELECTRIC

World's Leader in Welding and Cutting Products

Premier Manufacturer of Industrial Motors

Sales and Service through Subsidiaries and Distributors Worldwide
22801 St. Clair Ave. Cleveland, Ohio 44117-1199 U.S.A. Tel. (216) 481-8100

Download from www.Somanuals.com. All Manuals Search And Download.

WARNING**ARC WELDING can be hazardous.**

PROTECT YOURSELF AND OTHERS FROM POSSIBLE SERIOUS INJURY OR DEATH. KEEP CHILDREN AWAY. PACEMAKER WEARERS SHOULD CONSULT WITH THEIR DOCTOR BEFORE OPERATING.

Read and understand the following safety highlights. For additional safety information, it is strongly recommended that you purchase a copy of "Safety in Welding & Cutting - ANSI Standard Z49.1" from the American Welding Society, P.O. Box 351040, Miami, Florida 33135 or CSA Standard W117.2-1974. A Free copy of "Arc Welding Safety" booklet E205 is available from the Lincoln Electric Company, 22801 St. Clair Avenue, Cleveland, Ohio 44117-1199.

BE SURE THAT ALL INSTALLATION, OPERATION, MAINTENANCE AND REPAIR PROCEDURES ARE PERFORMED ONLY BY QUALIFIED INDIVIDUALS.

**ELECTRIC SHOCK can kill.**

1.a. The electrode and work (or ground) circuits are electrically "hot" when the welder is on. Do not touch these "hot" parts with your bare skin or wet clothing. Wear dry, hole-free gloves to insulate hands.

- 1.b. Insulate yourself from work and ground using dry insulation. Make certain the insulation is large enough to cover your full area of physical contact with work and ground.

In addition to the normal safety precautions, if welding must be performed under electrically hazardous conditions (in damp locations or while wearing wet clothing; on metal structures such as floors, gratings or scaffolds; when in cramped positions such as sitting, kneeling or lying, if there is a high risk of unavoidable or accidental contact with the workpiece or ground) use the following equipment:

- Semiautomatic DC Constant Voltage (Wire) Welder.
- DC Manual (Stick) Welder.
- AC Welder with Reduced Voltage Control.

- 1.c. In semiautomatic or automatic wire welding, the electrode, electrode reel, welding head, nozzle or semiautomatic welding gun are also electrically "hot".

- 1.d. Always be sure the work cable makes a good electrical connection with the metal being welded. The connection should be as close as possible to the area being welded.

- 1.e. Ground the work or metal to be welded to a good electrical (earth) ground.

- 1.f. Maintain the electrode holder, work clamp, welding cable and welding machine in good, safe operating condition. Replace damaged insulation.

- 1.g. Never dip the electrode in water for cooling.

- 1.h. Never simultaneously touch electrically "hot" parts of electrode holders connected to two welders because voltage between the two can be the total of the open circuit voltage of both welders.

- 1.i. When working above floor level, use a safety belt to protect yourself from a fall should you get a shock.

- 1.j. Also see Items 4.c. and 6.

**ARC RAYS can burn.**

2.a. Use a shield with the proper filter and cover plates to protect your eyes from sparks and the rays of the arc when welding or observing open arc welding. Headshield and filter lens should conform to ANSI Z87.1 standards.

- 2.b. Use suitable clothing made from durable flame-resistant material to protect your skin and that of your helpers from the arc rays.

- 2.c. Protect other nearby personnel with suitable, non-flammable screening and/or warn them not to watch the arc nor expose themselves to the arc rays or to hot spatter or metal.

**FUMES AND GASES can be dangerous.**

3.a. Welding may produce fumes and gases hazardous to health. Avoid breathing these fumes and gases. When welding, keep your head out of the fume. Use enough ventilation and/or exhaust at the arc to keep fumes and gases away from the breathing zone. **When welding with electrodes which require special ventilation such as stainless or hard facing (see instructions on container or MSDS) or on lead or cadmium plated steel and other metals or coatings which produce highly toxic fumes, keep exposure as low as possible and below Threshold Limit Values (TLV) using local exhaust or mechanical ventilation. In confined spaces or in some circumstances, outdoors, a respirator may be required. Additional precautions are also required when welding on galvanized steel.**

- 3.b. Do not weld in locations near chlorinated hydrocarbon vapors coming from degreasing, cleaning or spraying operations. The heat and rays of the arc can react with solvent vapors to form phosgene, a highly toxic gas, and other irritating products.

- 3.c. Shielding gases used for arc welding can displace air and cause injury or death. Always use enough ventilation, especially in confined areas, to insure breathing air is safe.

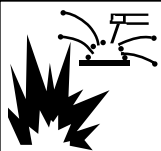
- 3.d. Read and understand the manufacturer's instructions for this equipment and the consumables to be used, including the material safety data sheet (MSDS) and follow your employer's safety practices. MSDS forms are available from your welding distributor or from the manufacturer.

- 3.e. Also see item 7b.

Apr. '93

WIRE-MATIC 255





WELDING SPARKS can cause fire or explosion.

4.a. Remove fire hazards from the welding area.

If this is not possible, cover them to prevent the welding sparks from starting a fire.

Remember that welding sparks and hot materials from welding can easily go through small cracks and openings to adjacent areas. Avoid welding near hydraulic lines. Have a fire extinguisher readily available.

4.b. Where compressed gases are to be used at the job site, special precautions should be used to prevent hazardous situations. Refer to "Safety in Welding and Cutting" (ANSI Standard Z49.1) and the operating information for the equipment being used.

4.c. When not welding, make certain no part of the electrode circuit is touching the work or ground. Accidental contact can cause overheating and create a fire hazard.

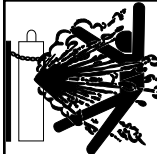
4.d. Do not heat, cut or weld tanks, drums or containers until the proper steps have been taken to insure that such procedures will not cause flammable or toxic vapors from substances inside. They can cause an explosion even though they have been "cleaned". For information, purchase "Recommended Safe Practices for the Preparation for Welding and Cutting of Containers and Piping That Have Held Hazardous Substances", AWS F4.1 from the American Welding Society (see address above).

4.e. Vent hollow castings or containers before heating, cutting or welding. They may explode.

4.f. Sparks and spatter are thrown from the welding arc. Wear oil free protective garments such as leather gloves, heavy shirt, cuffless trousers, high shoes and a cap over your hair. Wear ear plugs when welding out of position or in confined places. Always wear safety glasses with side shields when in a welding area.

4.g. Connect the work cable to the work as close to the welding area as practical. Work cables connected to the building framework or other locations away from the welding area increase the possibility of the welding current passing through lifting chains, crane cables or other alternate circuits. This can create fire hazards or overheat lifting chains or cables until they fail.

4.h. Also see item 7c.



CYLINDER may explode if damaged.

5.a. Use only compressed gas cylinders containing the correct shielding gas for the process used and properly operating regulators designed for the gas and pressure used. All hoses, fittings, etc. should be suitable for the application and maintained in good condition.

5.b. Always keep cylinders in an upright position securely chained to an undercarriage or fixed support.

5.c. Cylinders should be located:

- Away from areas where they may be struck or subjected to physical damage.
- A safe distance from arc welding or cutting operations and any other source of heat, sparks, or flame.

5.d. Never allow the electrode, electrode holder or any other electrically "hot" parts to touch a cylinder.

5.e. Keep your head and face away from the cylinder valve outlet when opening the cylinder valve.

5.f. Valve protection caps should always be in place and hand tight except when the cylinder is in use or connected for use.

5.g. Read and follow the instructions on compressed gas cylinders, associated equipment, and CGA publication P-1, "Precautions for Safe Handling of Compressed Gases in Cylinders," available from the Compressed Gas Association 1235 Jefferson Davis Highway, Arlington, VA 22202.



FOR ELECTRICALLY powered equipment.

6.a. Turn off input power using the disconnect switch at the fuse box before working on the equipment.

6.b. Install equipment in accordance with the U.S. National Electrical Code, all local codes and the manufacturer's recommendations.

6.c. Ground the equipment in accordance with the U.S. National Electrical Code and the manufacturer's recommendations.

Feb. '95

WIRE-MATIC 255





FOR ENGINE powered equipment.

7.a. Turn the engine off before troubleshooting and maintenance work unless the maintenance work requires it to be running.



7.b. Operate engines in open, well-ventilated areas or vent the engine exhaust fumes outdoors.



7.c. Do not add the fuel near an open flame welding arc or when the engine is running. Stop the engine and allow it to cool before refueling to prevent spilled fuel from vaporizing on contact with hot engine parts and igniting. Do not spill fuel when filling tank. If fuel is spilled, wipe it up and do not start engine until fumes have been eliminated.



7.d. Keep all equipment safety guards, covers and devices in position and in good repair. Keep hands, hair, clothing and tools away from V-belts, gears, fans and all other moving parts when starting, operating or repairing equipment.

7.e. In some cases it may be necessary to remove safety guards to perform required maintenance. Remove guards only when necessary and replace them when the maintenance requiring their removal is complete. Always use the greatest care when working near moving parts.

7.f. Do not put your hands near the engine fan. Do not attempt to override the governor or idler by pushing on the throttle control rods while the engine is running.

7.g. To prevent accidentally starting gasoline engines while turning the engine or welding generator during maintenance work, disconnect the spark plug wires, distributor cap or magneto wire as appropriate.



7.h. To avoid scalding, do not remove the radiator pressure cap when the engine is hot.



ELECTRIC AND MAGNETIC FIELDS may be dangerous

8.a. Electric current flowing through any conductor causes localized Electric and Magnetic Fields (EMF). Welding current creates EMF fields around welding cables and welding machines

8.b. EMF fields may interfere with some pacemakers, and welders having a pacemaker should consult their physician before welding.

8.c. Exposure to EMF fields in welding may have other health effects which are now not known.

8.d. All welders should use the following procedures in order to minimize exposure to EMF fields from the welding circuit:

8.d.1. Route the electrode and work cables together - Secure them with tape when possible.

8.d.2. Never coil the electrode lead around your body.

8.d.3. Do not place your body between the electrode and work cables. If the electrode cable is on your right side, the work cable should also be on your right side.

8.d.4. Connect the work cable to the workpiece as close as possible to the area being welded.

8.d.5. Do not work next to welding power source.

Mar. '93

PRÉCAUTIONS DE SÛRETÉ

Pour votre propre protection lire et observer toutes les instructions et les précautions de sûreté spécifiques qui paraissent dans ce manuel aussi bien que les précautions de sûreté générales suivantes:

Sûreté Pour Soudage A L'Arc

1. Protégez-vous contre la secousse électrique:
 - a. Les circuits à l'électrode et à la pièce sont sous tension quand la machine à souder est en marche. Eviter toujours tout contact entre les parties sous tension et la peau nue ou les vêtements mouillés. Porter des gants secs et sans trous pour isoler les mains.
 - b. Faire très attention de bien s'isoler de la masse quand on soude dans des endroits humides, ou sur un plancher métallique ou des grilles métalliques, principalement dans les positions assis ou couché pour lesquelles une grande partie du corps peut être en contact avec la masse.
 - c. Maintenir le porte-électrode, la pince de masse, le câble de soudage et la machine à souder en bon et sûr état de fonctionnement.
 - d. Ne jamais plonger le porte-électrode dans l'eau pour le refroidir.
 - e. Ne jamais toucher simultanément les parties sous tension des porte-électrodes connectés à deux machines à souder parce que la tension entre les deux pinces peut être le total de la tension à vide des deux machines.
 - f. Si on utilise la machine à souder comme une source de courant pour soudage semi-automatique, ces précautions pour le porte-électrode s'appliquent aussi au pistolet de soudage.
2. Dans le cas de travail au dessus du niveau du sol, se protéger contre les chutes dans le cas où on reçoit un choc. Ne jamais enrouler le câble-électrode autour de n'importe quelle partie du corps.
3. Un coup d'arc peut être plus sévère qu'un coup de soleil, donc:
 - a. Utiliser un bon masque avec un verre filtrant approprié ainsi qu'un verre blanc afin de se protéger les yeux du rayonnement de l'arc et des projections quand on soude ou quand on regarde l'arc.
 - b. Porter des vêtements convenables afin de protéger la peau de soudeur et des aides contre le rayonnement de l'arc.
 - c. Protéger l'autre personnel travaillant à proximité au soudage à l'aide d'écrans appropriés et non-inflammables.
4. Des gouttes de laitier en fusion sont émises de l'arc de soudage. Se protéger avec des vêtements de protection libres de l'huile, tels que les gants en cuir, chemise épaisse, pantalons sans revers, et chaussures montantes.
5. Toujours porter des lunettes de sécurité dans la zone de soudage. Utiliser des lunettes avec écrans latéraux dans les

zones où l'on pique le laitier.

6. Eloigner les matériaux inflammables ou les recouvrir afin de prévenir tout risque d'incendie dû aux étincelles.
7. Quand on ne soude pas, poser la pince à un endroit isolé de la masse. Un court-circuit accidentel peut provoquer un échauffement et un risque d'incendie.
8. S'assurer que la masse est connectée le plus près possible de la zone de travail qu'il est pratique de le faire. Si on place la masse sur la charpente de la construction ou d'autres endroits éloignés de la zone de travail, on augmente le risque de voir passer le courant de soudage par les chaînes de levage, câbles de grue, ou autres circuits. Cela peut provoquer des risques d'incendie ou d'échauffement des chaînes et des câbles jusqu'à ce qu'ils se rompent.
9. Assurer une ventilation suffisante dans la zone de soudage. Ceci est particulièrement important pour le soudage de tôles galvanisées plombées, ou cadmiées ou tout autre métal qui produit des fumées toxiques.
10. Ne pas souder en présence de vapeurs de chlore provenant d'opérations de dégraissage, nettoyage ou pistolage. La chaleur ou les rayons de l'arc peuvent réagir avec les vapeurs du solvant pour produire du phosgène (gas fortement toxique) ou autres produits irritants.
11. Pour obtenir de plus amples renseignements sur la sûreté, voir le code "Code for safety in welding and cutting" CSA Standard W 117.2-1974.

PRÉCAUTIONS DE SÛRETÉ POUR LES MACHINES À SOUDER À TRANSFORMATEUR ET À REDRESSEUR

1. Relier à la terre le châssis du poste conformément au code de l'électricité et aux recommandations du fabricant. Le dispositif de montage ou la pièce à souder doit être branché à une bonne mise à la terre.
2. Autant que possible, l'installation et l'entretien du poste seront effectués par un électricien qualifié.
3. Avant de faire des travaux à l'intérieur de poste, la débrancher à l'interrupteur à la boîte de fusibles.
4. Garder tous les couvercles et dispositifs de sûreté à leur place.

Mar. '93

WIRE-MATIC 255



NOTES

Return to Master TOC

Return to Master TOC

Return to Master TOC

Return to Master TOC

WIRE-MATIC 255



TABLE OF CONTENTS

	Page
Safety	i - v
<hr/>	
Installation	Section A
Technical Specifications	A-1
Safety Precautions	A-2
Select Proper Location	A-2
Input Connections	A-2
Reconnect Procedure	A-5
Connect Output Components	A-7
<hr/>	
Operation	Section B
Safety Instructions	B-1
General Description	B-1
Recommended Processes and Equipment	B-2
Design Features and Advantages	B-2
Machine Capability	B-3
Limitations	B-3
Controls and Settings	B-4
Using the Wire Drive Roll	B-5
Operating Steps	B-7
<hr/>	
Accessories	Section C
Other Available Magnum 250L Gun and Cable Assembly	C-1
Magnum Gun Connection Kit (Optional K466-6)	C-1
K672-1 Spool Gun Adapter Kit	C-1
Making a Weld with the Spool Gun Adapter and Spool Gun (K672-1) Installed	C-1
Making a Weld with the Spool Gun Adapter (K672-1) Installed	C-2
Timer Kit (K585-1)	C-3
Timer Kit Installation (Optional K585-1)	C-3
Making Spot and Stitch Welds with Timer Kit Installed	C-4
Drive Roll Kits	C-4
3/64" Aluminum Feeding Kit (K673-1)	C-4
K468 8" Spool Adapter	C-4
K363P Readi-Reel Adapter	C-4
Dual Cylinder Mounting (K671-1)	C-5
<hr/>	
Maintenance	Section D
Safety Precautions	D-1
Routine and Periodic Maintenance	D-1
Component Locations	D-2
Drive Rolls and Guide Tubes	D-3
Cable Cleaning	D-3
Gun Tubes and Nozzles	D-3
Contact Tip and Gas Nozzle Installation	D-3
Liner Removal and Replacement	D-4
Liner Removal, Installation, and Trimming Instructions for Magnum 250L	D-4
Gun Handle Disassembly	D-5
Accessories and Expendable Replacement Parts for Magnum 250L Gun and Cable Assemblies	D-6

WIRE-MATIC 255



TABLE OF CONTENTS (continued)

	Page
Theory of Operation	Section E
Power Supply OperationE-1
Thermal ProtectionE-5
SCR OperationE-6
<hr/>	
Troubleshooting and Repair	Section F
How to use Troubleshooting GuideF-1
PC Board Troubleshooting ProceduresF-2
Troubleshooting GuideF-3
Test ProceduresF-10
Oscilloscope WaveformsF-22
Replacement ProceduresF-27
<hr/>	
Electrical Diagrams	Section G
<hr/>	
Parts ListP-258
<hr/>	

INSTALLATION

TABLE OF CONTENTS - INSTALLATION SECTION -

INSTALLATION SECTION	Section A
Technical Specifications	A-1
Safety Precautions	A-2
Select Proper Location	A-2
Stacking.....	A-2
Tilting	A-2
Input Connections	A-2
Fuse and Wire Sizes	A-3
Input Power Connections and Ground Connections...	A-3
Connect Shielding Gas.....	A-4
Reconnect Procedure.....	A-5
Connect Output Components.....	A-7
Install the Work Clamp	A-7
Output Polarity Connection	A-7
Gun Liner and Contact Tip Installation.....	A-7
Wire Size Conversion Parts	A-8
Gun and Cable Installation.....	A-8

[Return to Master TOC](#)

[Return to Master TOC](#)

[Return to Master TOC](#)

[Return to Master TOC](#)

WIRE-MATIC 255



TECHNICAL SPECIFICATIONS - Wire-Matic-255

INPUT - SINGLE PHASE/ 60 HERTZ ONLY				
Standard Voltage		Input Current at Rated Output		
208/230/1/60		53/49 Amps		
230/460/575		50/25/20 Amps		
RATED OUTPUT				
Duty Cycle	Amps	Volts at Rated Amps		
100%	145 amps	26		
60%	200 amps	28		
35%	250 amps	26		
OUTPUT				
Current Range	Maximum Open Circuit Voltage	Wire Speed Range		
30A - 250A	40V	50 - 600 IPM (1.27-15.2 m./minute)		
RECOMMENDED INPUT WIRE & FUSE SIZE				
Input Voltage/ Frequency	Fuse (Superlag) or Breaker Size	Type 75°C wire in Copper conduit AWG (IEC Sizes) Runs to Runs over 100ft. (30m.) 100ft. (30m.)		Type 75°C Copper Ground Wire in Conduit
208/60	60	8 (10mm ²)	6 (16mm ²)	10 (6mm ²)
230/60	60	10 (6mm ²)	8 (10mm ²)	10 (6mm ²)
460/60	30	14 (2.5mm ²)	12 (4mm ²)	10 (6mm ²)
575/60	25	14 (2.5mm ²)	12 (4mm ²)	10 (6mm ²)
PHYSICAL DIMENSIONS				
HEIGHT	Width	DEPTH		WEIGHT (W/GUN)
28.2" (719mm)	18.8" (480mm)	40.1" (1019mm)		220 lbs. (100 Kg.)
OPERATING TEMPERATURE				
STORAGE ± 40°C		OPERATING -20°C to 40°C		

WIRE-MATIC 255



Read entire Installation Section before installing the WIRE-MATIC 255

SAFETY PRECAUTIONS

WARNING

ELECTRIC SHOCK can kill.



- Only qualified personnel should install this machine.
- Turn the input power OFF at the disconnect switch or fuse box before working on the equipment.

- Do not touch electrically hot parts.
- Always connect the WIRE-MATIC 255 grounding terminal to a good electrical earth ground through the cable plug per the National Electrical Code.
- Set the Wire-Matic 255 ON/OFF Power switch to the OFF position when connecting power cord to input power.

SELECT PROPER LOCATION

Place the WIRE-MATIC 255 where clean, cooling air can freely circulate in through the case back louvers and out through the case front louvers. Dirt, dust, or any foreign material that can be drawn into the machine case back louvers should be kept at a minimum. Not following these precautions can result in the nuisance shutdown of the machine because of excessive operating temperatures.

STACKING

The WIRE-MATIC 255 cannot be stacked.

TILTING

The Wire-Matic 255 must be placed on a stable, level surface so it will not topple over. Do not place the machine on an incline.

INPUT CONNECTIONS

WARNING



All input power must be electrically disconnected before proceeding.

1. Before starting the installation, check with the local power company to determine if there is any question about whether your power supply is adequate for the voltage, amperes, phase, and frequency specified on the welder nameplate. Be sure the planned installation will meet the U.S. National Electrical Code and local code requirements. This welder may be operated from a single phase line or from one phase of a two or three phase line.
2. Models that have multiple input voltages specified on the nameplate (e.g., 208/230) are shipped connected for the highest voltage. If the welder is to be operated at a lower voltage, it must be reconnected according to the instructions on the inside of the removable panel (Reconnect Access Door) near the top left side of the Case Back Assembly. See the **Reconnect Section** of this manual for details on reconnecting the machine to operate at different voltages.
3. Be sure the voltage, phase, and frequency of the input power is as specified on the machine rating plate. See Figure A.1 for the location of the machine's input cord entry, Reconnect Access Door, and Reconnect Panel, and Rear Nameplate.

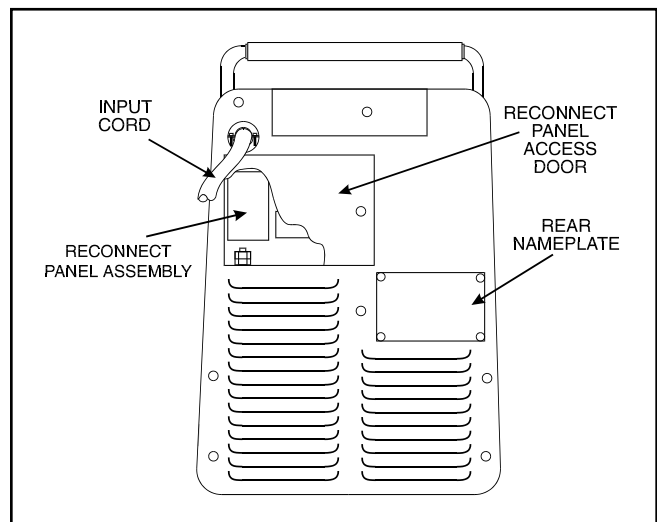


FIGURE A.1 - Case Back Assembly: Input Power Cable Entry Connections.

WIRE-MATIC 255



FUSE AND WIRE SIZES

Protect the input circuit with the super lag fuses or delay type circuit breakers listed on the **Technical Specifications** page of this manual for the machine being used. The tripping action of delay type circuit breakers decreases as the magnitude of the current increases. They are also called inverse time or thermal/magnetic circuit breakers.

DO NOT use fuses or circuit breakers with a lower amp rating than recommended. This can result in "nuisance" tripping caused by inrush current even when machine is not being used for welding at high output currents.

Use input and grounding wire sizes that meet local electrical codes or see the **Technical Specifications** page in this manual.

INPUT POWER CONNECTIONS AND GROUND CONNECTIONS

Have a qualified electrician connect the receptacle or cable to the input power lines and the system ground according to the U.S. National Electrical Code and any applicable local codes.

1. Follow the Input Supply Connection Diagram on the inside of the Reconnect Panel Access Door.
2. Use a single-phase line or one phase of a three-phase line.

For the 208V/230V/ 60 HZ model WIRE-MATIC 255 shipped with a 10 ft. input cord and plug connected to the welder, mount the matching receptacle supplied with the machine.

1. Mount the receptacle in a suitable location using the screws provided.
2. Locate the receptacle within reach of the 10 ft. input cord attached to the welder.
3. Mount the receptacle with the grounding terminal at the top. This allows the power cable to hang down without bending. See Figure A.2.
 - a. The center terminal in the receptacle is for the grounding connection.

- b. Fuse the two hot lines of the receptacle with super lag type fuses as shown in Figure A.2. A green wire in the input cord connects this terminal to the frame of the welder. This ensures proper grounding of the welder frame when the welder plug is inserted into the receptacle.

4. Use proper wire sizes. See the **Technical Specification** table for proper wire sizes. For cable lengths over 100 feet, larger copper wires should be used.

CAUTION

Connect to a system grounding wire. See the United States National Electrical Code and local codes for other details and means for proper grounding.

Connect to hot wires of a three-wire, single phase system or to one phase of a two or three phase system.

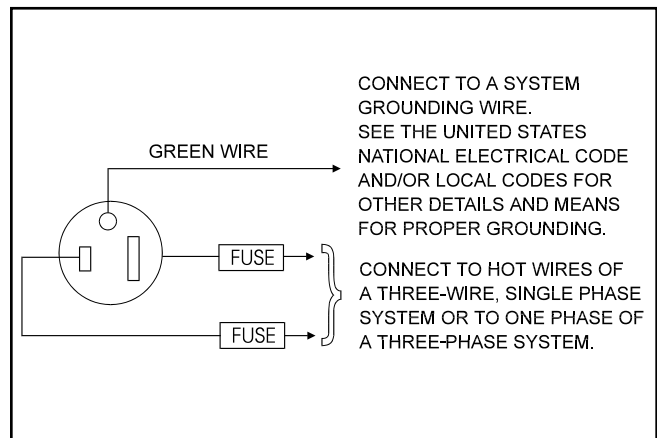


FIGURE A.2. - Ground Connections.

For the 230/460/575V/ 60 HZ model which is not equipped with a plug, an input cord, or a receptacle, the input power supply leads must be connected directly to the Reconnect Panel as shown in Figure A.3. Refer to **Technical Specifications** at the beginning of this chapter for proper wire sizes.

1. Strip 1/2" (13mm) of insulation from the input power supply leads.
2. Connect the input power leads to terminals L1 and L2 on the Reconnect Panel Assembly.
3. Torque the terminal screws to 16 in.-lbs. (1.8nm).

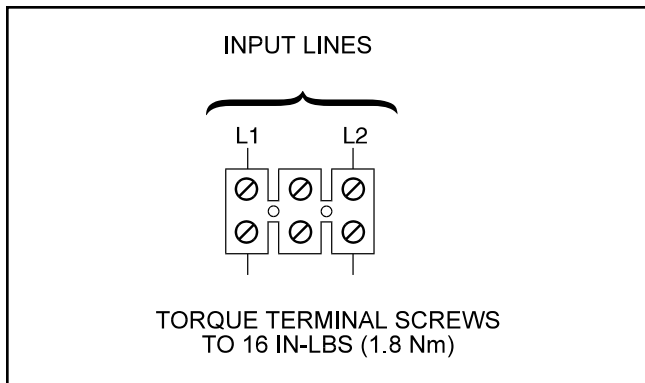
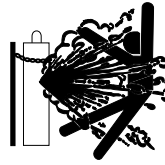


FIGURE A.3 - Input Power Connection For 230/460/575 Volt Models.

CONNECT SHIELDING GAS

Customer must provide cylinder of appropriate type of shielding gas for gas metal arc welding for the process being used. See Figure A.4 for the location of the components used to connect the air supply cylinder.

⚠ WARNING



Gas under pressure is explosive. Always keep gas cylinders in an upright position and always keep chained to undercarriage or stationary Y support. See American National Standard Z-49.1, "Safety

in Welding and Cutting" published by the American Welding Society.

1. Set the gas cylinder on the rear platform of the WIRE-MATIC 255.
2. Hook the chain in place to secure cylinder to rear of welder.
3. Remove the cylinder cap.
4. Inspect the cylinder valves for damaged threads, dirt, dust, oil or grease.
 - a. Remove dust and dirt with a clean cloth.

NOTE: DO NOT ATTACH THE REGULATOR IF OIL, GREASE OR DAMAGE IS PRESENT! Inform your gas supplier of this condition. Oil or grease in the presence of high pressure oxygen is explosive.

5. Stand to one side away from the outlet and open the cylinder valve for an instant to blow away any dust or dirt which may have accumulated in the valve outlet.

BE SURE TO KEEP YOUR FACE AWAY FROM THE VALVE OUTLET WHEN OPENING THE VALVE.

6. Inspect the regulator for damaged threads, dirt, dust, oil or grease.
 - a. Remove dust and dirt with a clean cloth.

NOTE: DO NOT USE THE REGULATOR IF OIL, GREASE OR DAMAGE IS PRESENT! Have an authorized repair station clean the regulator or repair any damage.

7. Attach the flow regulator to the cylinder valve and tighten the union nut(s) securely with a wrench.
 - a. NOTE: If connecting the flow regulator to 100% CO₂ cylinder, insert the regulator adapter between the regulator and cylinder valve. If adapter is equipped with a plastic washer, be sure it is seated properly to connect to the CO₂ cylinder.
8. Connect one end of the inlet gas hose to the outlet fitting of the flow regulator.
9. Connect the other end of the inlet gas hose to the WIRE-MATIC 255 rear fitting.
10. Tighten both the union nuts securely with a wrench.
11. Before opening the cylinder valve, turn the regulator adjusting knob counter-clockwise until the pressure is released from the adjusting spring.
12. Open the cylinder valve slowly a fraction of a turn.
 - a. When the cylinder pressure gage pointer stops moving, open the valve fully.

NEVER STAND DIRECTLY IN FRONT OF OR BEHIND THE FLOW REGULATOR WHEN OPENING THE CYLINDER VALVE. ALWAYS STAND TO ONE SIDE.

13. The flow regulator is adjustable. Adjust the flow regulator for the flow rate recommended for the procedure and process being used before making the weld.

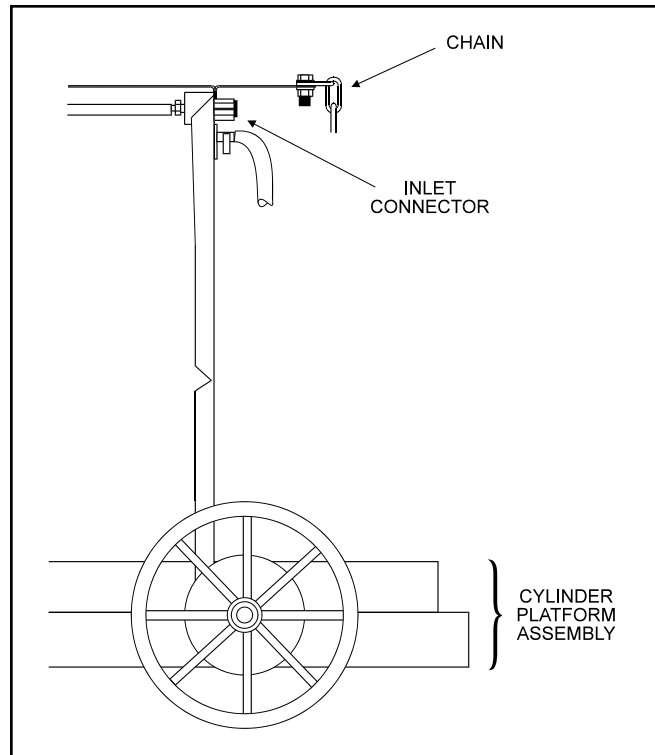


FIGURE A.4 - Input Gas Supply Connections

RECONNECT PROCEDURE

Multiple voltage machines are shipped connected to the highest input voltage listed on the machine's rating plate. Before installing the machine, check that the Reconnect Panel in the Input Box Assembly is connected for the proper voltage.

⚠ CAUTION

Failure to follow these instructions can cause immediate failure of components within the machine.

To reconnect a dual or triple voltage machine to a different voltage, change the position of the leads or links on the Reconnect Panel based on the type of machine. Follow The Input Supply Connection Diagram located on the inside of the Case Back Reconnect Panel Access Door.

For 208/230/1/60 machine(s), see Figure A.5.

For 230/460/575/1/60 machine(s), see Figure A.6.

WIRE-MATIC 255



ALL MACHINES ARE SHIPPED FROM THE FACTORY CONNECTED FOR THE HIGHER OF THE TWO INPUT VOLTAGES LISTED ON THE NAMEPLATE. TO CHANGE VOLTAGE CONNECTION PROCEED AS FOLLOWS:

1. REMOVE THE OUTER STEEL HEX NUT FROM THE TERMINAL WHERE THE TRANSFORMER INPUT LEAD IS CONNECTED.
2. SHIFT THE TRANSFORMER INPUT LEAD TO THE TERMINAL THAT THE UNIT IS TO OPERATE ON AND FASTEN SECURELY WITH THE HEX NUT REMOVED IN STEP1. (MAKE CERTAIN THAT BRASS NUTS ARE TIGHT.)

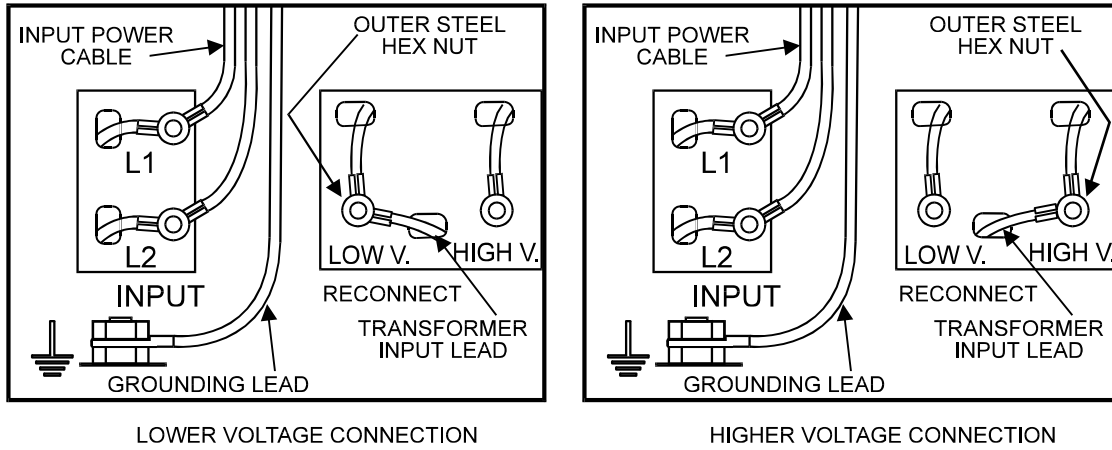


FIGURE A.5 - Reconnect Diagram For 208/230/1/60 Machines.

1. ALL MACHINES ARE SHIPPED FROM THE FACTORY CONNECTED FOR THE HIGHEST NAME-PLATED SINGLE PHASE INPUT VOLTAGE. TO CHANGE CONNECTIONS FOR A DIFFERENT INPUT VOLTAGE, RECONNECT BOTH COPPER JUMPERS PER DIAGRAM BELOW. ALWAYS CONNECT JUMPERS BETWEEN OUTER STEEL NUT AND INNER BRASS NUT ON TERMINAL STUDS.
2. CONNECT THE INPUT POWER TO THE INPUT TERMINAL BLOCK, L1 AND L2 AT THE UPPER CORNER OF THE PANEL. TORQUE TO 16 IN-LBS.
3. CONNECT A GROUNDING LEAD TO THE GROUND STUD ($\frac{1}{2}$) ON THE MACHINE NEAR THE TERMINAL BLOCK.

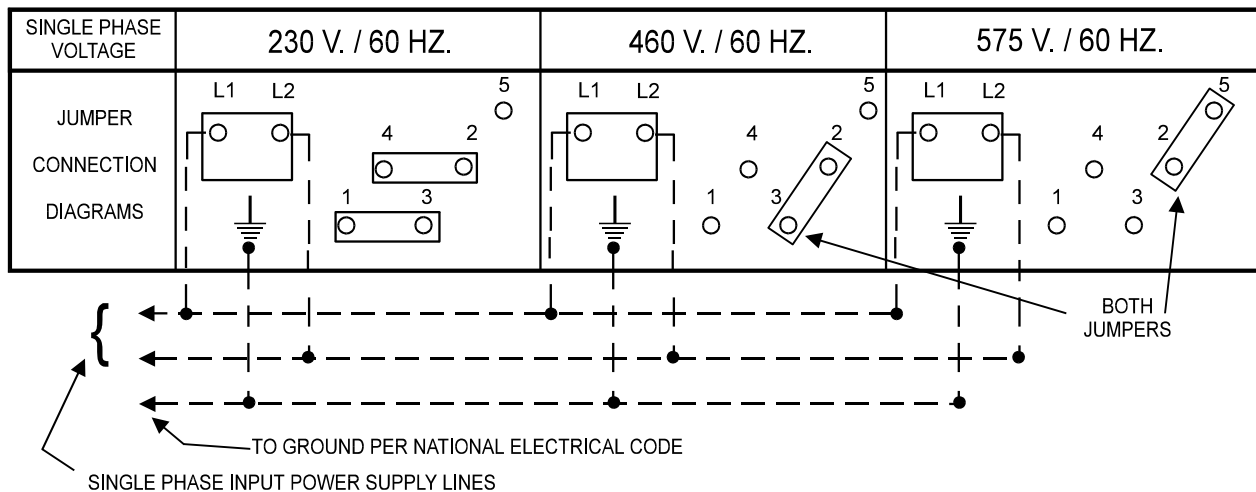


FIGURE A.6 - Reconnect Diagram For 230/460/575/1/60 Machine.

WIRE-MATIC 255



Return to Section TOC

Return to Master TOC

CONNECT OUTPUT COMPONENTS

INSTALL THE WORK CLAMP

Attach the work clamp to the cable which extends from the front of the machine using the following procedure:

1. Insert the lug on the end of the work cable through the strain relief hole in the work clamp handle. See Figure A.7.
2. Slide the work cable through the hole up to the bolt and nut.
3. Fasten work cable using the bolt and nut provided.

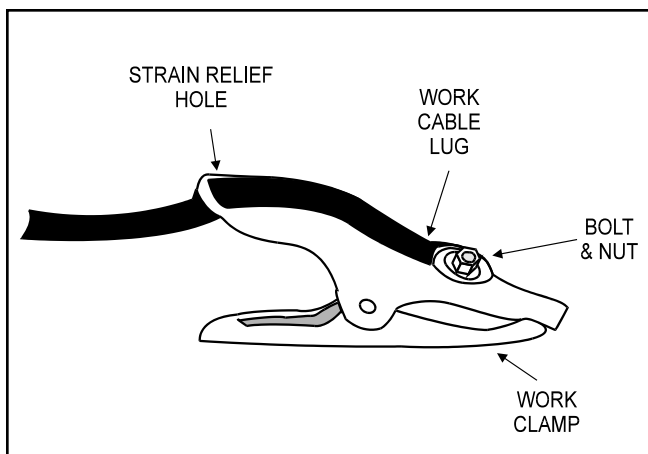


FIGURE A.7 - Installing The Work Clamp.

OUTPUT POLARITY CONNECTION

! WARNING

Turn the welder Power Switch OFF before changing output connection.

The welder is shipped from the factory connected for electrode positive (+) polarity. This is the normal polarity for GMA welding.

If negative (-) polarity is required, interchange the connection of the electrode and work cables at the output terminals located in the wire drive compartment near the front panel. The electrode cable, which is attached to the wire drive, is to be connected to the negative (-) labeled output terminal. The work cable which is attached to the work clamp is to be connected to the positive (+) labeled output terminal.

GUN LINER AND CONTACT TIP INSTALLATION

The Magnum 250L gun and cable provided with the WIRE-MATIC 255 is factory installed with a liner for a .035-.045" (0.9-1.2mm) diameter electrode and an .035" (0.9mm) contact tip.

1. If a .045" diameter wire size is to be used, install the .045" contact tip (also provided).
2. For other wire sizes, use the following procedure for contact tip and gas nozzle installation. See Figure A.8.
 - a. Choose the correct size contact tip for the electrode being used (wire size is stenciled on the side of the contact tip) and screw it snugly into the gas diffuser.
 - b. Be sure the nozzle insulator is fully screwed onto the gun tube and does not block the gas holes in the diffuser.
 - c. Slip the appropriate gas nozzle onto the nozzle insulator. Either a standard .50" (12.7mm) or optional .62" (15.9mm) I.D. slip-on gas nozzle may be used and should be selected based on the welding application.
 - d. Adjust the gas nozzle for the GMAW process to be used.

For the short-circuiting transfer process, the contact tip end should be flush to extended to .12" (3.2mm). See Figure A.8.

For the spray transfer process, the contact tip should be flush to recessed .12" (3.2mm). See Figure A.8.

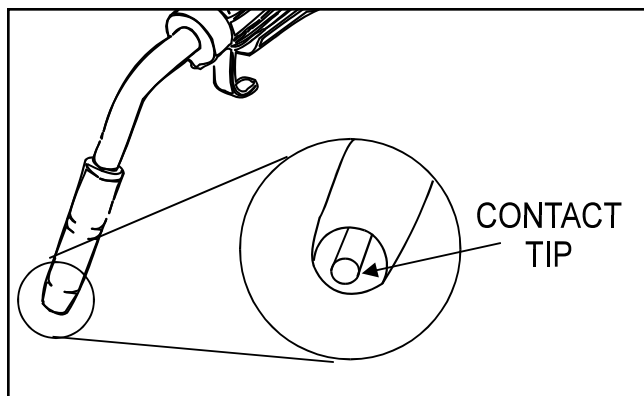


FIGURE A.8 - Contact Tip and Electrode Connections.

WIRE SIZE CONVERSION PARTS

The Wire-Matic 255 is rated to feed .025" through .045" (0.6-1.2mm) solid or cored electrode sizes. For various drive roll kits refer to **Accessories Section**.

GUN AND CABLE INSTALLATION

WARNING

Turn the welder Power Switch OFF before changing output connection.

1. Lay the cable out straight.
2. Locate the knurled thumb screw on conductor block inside wire feed compartment. Unscrew it until the tip of the screw no longer protrudes into gun opening as seen from front of machine.
3. Insert the brass connector on the end of the gun cable into conductor block through opening in the front panel. Make sure the connector is fully inserted and tighten thumb screw.
4. Connect the gun trigger connector from the gun and cable to the mating receptacle on the front panel. Make sure that the keyways are aligned, insert and tighten retaining ring.

NOTE: If a gun and cable other than the Magnum 250L is used, it must conform to connector specifications and the gun trigger switch must be capable of switching 5 milliamps at 15 volts DC -resistive.

CAUTION

The gun trigger switch connected to the gun trigger control cable must be a normally open, momentary switch. The terminals of the switch must be insulated from the Welding circuit. Improper operation of or damage to the WIRE-MATIC 255 might result if this switch is common to an electrical circuit other than the WIRE-MATIC 255 trigger circuit.

WIRE-MATIC 255



NOTES

Return to Section TOC

Return to Section TOC

Return to Section TOC

Return to Section TOC

Return to Master TOC

Return to Master TOC

Return to Master TOC

Return to Master TOC

WIRE-MATIC 255



OPERATION

TABLE OF CONTENTS - OPERATION SECTION -

OPERATION SECTION	Section B
Safety Instructions.....	B-1
General Description.....	B-1
Recommended Processes and Equipment.....	B-2
Design Features and Advantages	B-2
Unit Features.....	B-2
Power Source Features.....	B-2
Wire Feeder Features	B-3
Machine Capability	B-3
Limitations	B-3
Controls and Settings.....	B-4
Using the Wire Drive Roll.....	B-5
Procedure for Changing Drive Roll	B-5
Loading the Wire Reel.....	B-5
Feeding Electrode	B-6
Proper Wire Feeding	B-6
Setting Idle Roll Pressure.....	B-7
Operating Steps	B-7
Starting the Welder.....	B-7
Changing Run-In Mode	B-7
Enter Slow Run-In Mode.....	B-7
Enter Fast Run-In Mode	B-7
Making a Weld.....	B-8

Return to Master TOC

Return to Master TOC

Return to Master TOC

Return to Master TOC

WIRE-MATIC 255



Read and understand this entire section before operating your WIRE-MATIC 255.

SAFETY INSTRUCTIONS

WARNING



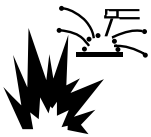
ELECTRIC SHOCK can kill.

- Do not touch electrically live parts such as output terminals or internal wiring.
- Insulate yourself from the work and ground.
- Always wear dry insulating gloves.



FUMES AND GASES can be dangerous.

- Keep your head out of fumes.
- Use ventilation or exhaust to remove fumes from breathing zone.



WELDING, CUTTING and GOUGING SPARKS can cause fire or explosion

- Keep flammable material away.
- Do not weld, cut or gouge on containers that have held combustibles.



ARC RAYS can burn.

- Wear eye, ear and body protection.

Only qualified personnel should operate this equipment. Observe all safety information throughout this manual.

CAUTION

When using a Wire-Matic 255 power source there will be a small spark if the electrode contacts the work or ground within several seconds after releasing the trigger.

GENERAL DESCRIPTION

The WIRE-MATIC 255 is a complete semiautomatic constant voltage DC arc welding machine built to meet NEMA specifications. It combines a constant voltage power source, a constant speed wire feeder, and a microcomputer-based controller to form a reliable high-performance welding system.

Simple controls, consisting of continuous full range calibrated voltage control and wire feed speed control, provide versatility with ease of use.

WIRE-MATIC 255



RECOMMENDED PROCESSES AND EQUIPMENT

The WIRE-MATIC 255 is recommended for GMA welding processes using 10 to 44 lb. (4.5 to 20 kg) 2" (51mm) I.D. spools or Readi-Reel coils (with optional adapter) of:

- .025" through .045" (0.6-1.2mm) solid steel.
- .035" (0.9mm) stainless steel.
- 3/64" (1.2mm) aluminum.
- .045" (1.2mm) Outershield.
- .035" (0.9mm) and .045" (1.2mm) Innershield self-shielding electrodes.

The WIRE-MATIC 255 is factory equipped to feed .035" (0.9mm) and .045" (1.2mm) electrodes. It includes a 12 ft. (3.6m) GMAW gun and cable assembly equipped for these wire sizes with a duty cycle rating of 200A, 60% or 250A, 35%. Using GMAW processes requires use of the optional gas regulator and a supply of shielding gas.

DESIGN FEATURES AND ADVANTAGES

UNIT FEATURES:

Continuous Voltage and Wire Speed Control - Large, easy to use control knobs provide continuous full-range calibrated control of both wire speed and voltage. A "ready-reference Procedure Chart" is provided on the inside of the wire drive section door giving suggested settings for popular welding processes and plate thickness. Wire speed control has fine resolution calibrated dial for repeatable and precise setting.

Undercarriage for Hand Mobility - Heavy duty 10" (254mm) wheels and 4" (102mm) casters are factory installed. The handle can be used for storing the welding gun and work cable.

Adjustable Flow Regulator - Accommodates CO₂ or argon blend gas. Includes a cylinder pressure gauge and a dual seal flow gauge.

Gas cylinder Platform - Factory installed on the undercarriage, it permits platform mounting and support of a single gas cylinder. It is not necessary to completely lift the gas cylinder when placing it on the platform.

Easy Accessibility - The door on the wire feeder enclosure protects wire and wire drive from dirt, dust, and damage.

POWER SOURCE FEATURES:

10 Ft. (3.0m) Input Power Cable - Includes plug and mating receptacle for 208/230V unit. Convenient rear reconnect panel allows easy access for 208V re-connection.

Power Switch - Front panel toggle switch turns input power on and off.

Pilot Light - Indicates when power is applied to machine.

Thermostatically-Controlled Fans - Cools transformer and other components only when required. The fan motors stays off when used intermittently or at low current procedures, reducing the amount of dust and dirt drawn into the machine. This also reduces power consumption.

Electronic Overload Protection - Protects machine from short circuit or high current overloading.

Power Source Line Voltage Regulation - Precise SCR phase control circuit holds the voltage setting at a constant level to maintain weld quality even when the input voltage fluctuates +/- 10%.

Solid State Contactor - Output is turned on and off by SCR's instead of a mechanical contactor providing extra long life in highly repetitive welding applications.

Output Terminals - Easily accessible in wire drive compartment for quick cable connection and polarity reversal.

Work Cable - 10 ft. (3.0m) long with work clamp.

WIRE-MATIC 255



WIRE FEEDER FEATURES:

Wire Loading - Adjustable brake spindle mounts Readi-Reel® Adapter, included with WIRE-MATIC 255, or most any 2" (51mm) I.D. wire spool. Accommodating standard 12" (305mm) and 8" (203mm) diameter coils, the spindle's adjustable brake provides appropriate dereeling drag to prevent wire reel overrun and loop-offs.

Tachometer Controlled Wire Drive - Precision control of permanent magnet motor provides proper wire feed acceleration and speed accuracy, independent of fluctuations in line voltage and wire loading. This gives reliable arc starting and weld consistency.

Selectable Run-In Start-Up - A user selectable feature allows the wire feeder to feed wire directly at the selected speed, (factory selected), or when the trigger is pulled the wire feeder feeds wire at slow speed regardless of the set wire feed speed until welding current is drawn or 2 seconds has expired. This feature enhances starting and makes setting stick out a snap. The 2 second limit permits high speed loading of the gun and cable.

Solid State Overload Protection - No circuit breaker to reset. Simply pull the trigger to resume welding once the overload condition has been cleared.

Unique Drive Roll and Guide Tube Design - Precisely aligned guide tubes and drive rolls provide long life. The design also permits quick reload by simply starting wire into ingoing guide tube. Adjustable tension setting minimizes 'birdnesting', eliminates milling through the wire, and gives positive feeding. The double groove, reversible drive roll included with the WIRE-MATIC 255 allows use of .030" (0.8mm) through .045" (1.2mm) diameter wire. Drive roll kits for other sizes and types of wire are also available.

Quick-Connect Welding Gun - Gun connector has integrated welding power and gas connection with separate front-panel twist-lock trigger connection mount.

Gun and Cable - A 12 ft. (3.6m) GMAW gun and cable assembly, rated 200 amps 60% duty, or 250 amps 35% duty, is provided with the WIRE-MATIC 255. A liner, diffuser and contact tips for .035" (0.9mm) and .045" (1.2mm) electrodes are included.

MACHINE CAPABILITY

The WIRE-MATIC 255 is rated on the following duty cycles based on a 10-minute time period (i.e., for 60% duty cycle, it is 6 minutes on and 4 minutes off).

Duty Cycle	Amps.	Volts
100%	145	26
60%	200	28
35%	250	26

LIMITATIONS

The WIRE-MATIC 255 may not operate satisfactorily if powered with a portable or in-plant generating system.

WIRE-MATIC 255



[Return to Section TOC](#)
[Return to Master TOC](#)

CONTROLS AND SETTINGS

All operator controls are located on the Front Panel/Nameplate of the machine. See Figure B.1 for the location of each control.

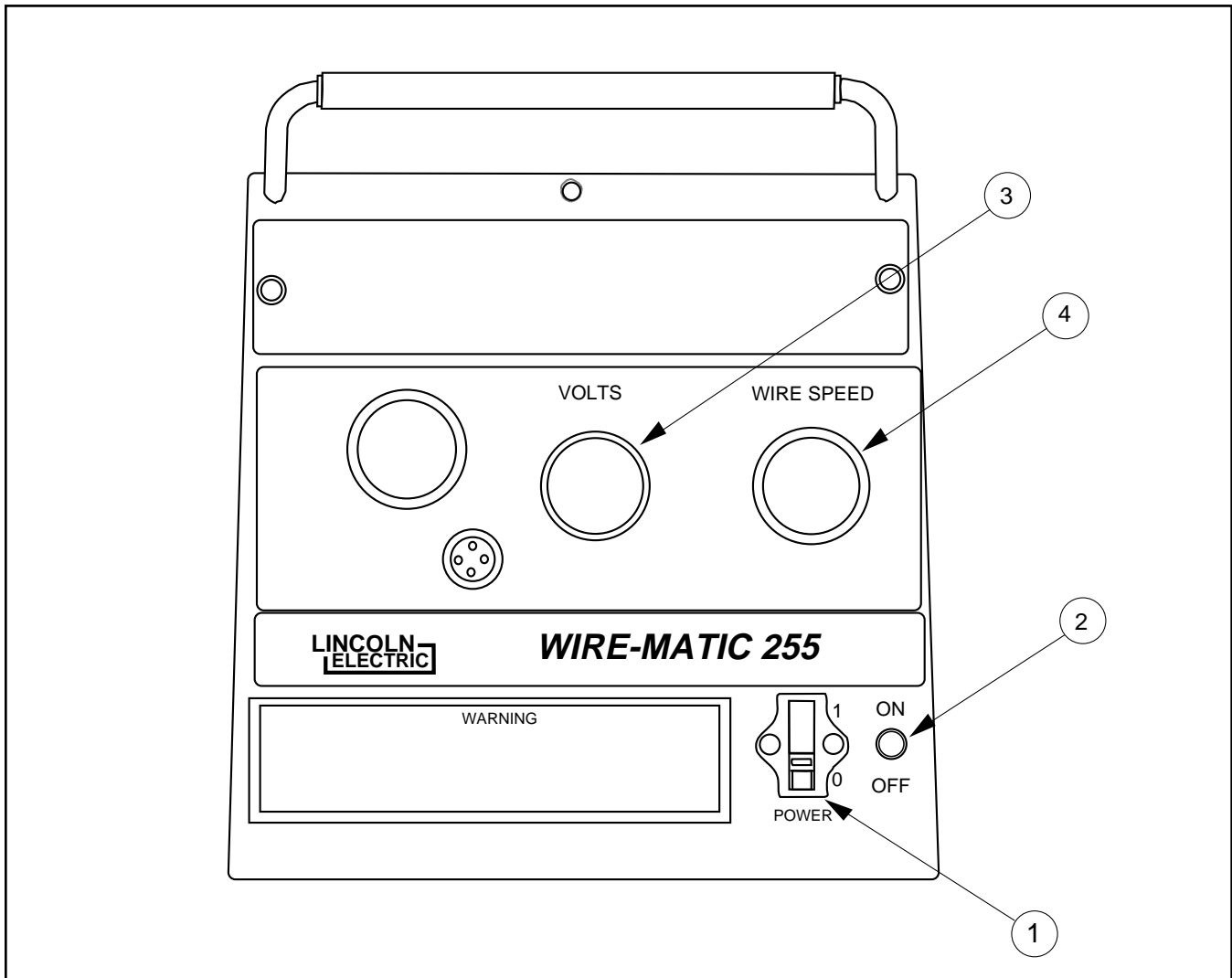


Figure B.1 - Operator Controls.

1. **POWER SWITCH:** Toggle switch to turn input power ON and OFF. Place the lever in the ON position to turn the WIRE-MATIC 255 ON.
2. **PILOT LIGHT:** The red LED pilot light located next to the POWER SWITCH is lit when the power is ON.
3. **VOLTAGE CONTROL POTENTIOMETER KNOB:** Provide continuous adjustment of power source output voltage over the rated 12 to 28 volt range. Voltage can be adjusted while welding.
4. **WIRE SPEED CONTROL POTENTIOMETER KNOB:** Controls the wire speed from 50 to 600

inches per minute (1.2 to 15.2 m/min). The control can be preset on the dial to the setting specified on the Procedure Decal on the inside of the wire compartment door. Wire speed is not affected when changes are made in the voltage control.

NOTE: When the trigger is pulled, the wire feeder feeds wire at low speed regardless of the wire feed speed set on the control until the welding arc starts or 2 seconds has elapsed. This feature enhances starting and makes it easier to set the stickout. The 2 second limit permits high speed loading of the gun and cable.

WIRE-MATIC 255



USING THE WIRE DRIVE ROLL

The drive roll provided with the WIRE-MATIC 255 has two grooves, one for .030-.035" (0.8-0.9mm) solid steel electrode, and the other for .045" (1.2mm) solid steel electrode. The welder is shipped with the drive roll installed in the .030-.035" (0.8-0.9mm) position as indicated by the stenciling on the exposed side of the drive roll. If .045" (1.2mm) electrode is to be used or one of the optional drive rolls is required, then the drive roll must be reversed or changed per the following instructions. This information also appears on the Procedure Decal on the door inside the wire compartment.

PROCEDURE FOR CHANGING DRIVE ROLL

Different wire sizes may require changing the drive roll. The applicable wire sizes are stamped on the drive roll. Dual groove rolls must be installed so the side with the proper wire size stamp faces out.

1. Turn POWER SWITCH to OFF.
2. Release the pressure on the idle roll by swinging the pressure arm off the idle roll arm.
3. Remove the wire from the drive system.
4. Remove the thumb screw from the drive roll.
5. Turn the drive roll over or change to another roll as required.
6. Replace the thumb screw.
7. Check that the gun liner and contact tip are properly sized for wire being used.

LOADING THE WIRE REEL

To mount a 22-30 lb. (10-14 kg) Redi-Reel package using the Redi-Reel adapter provided:

1. Remove the locking collar from the 2" (51mm) O.D. spindle and mount the K363P Adapter so the spindle pin engages the hole provided in the Adapter. Replace and tighten the locking collar.
2. Rotate the spindle and adapter so the retaining spring is at the 12 o'clock position.
3. Position the Redi-Reel so that it will rotate in a clockwise direction when wire is dereeled from the top of the coil. See Figure B.2.

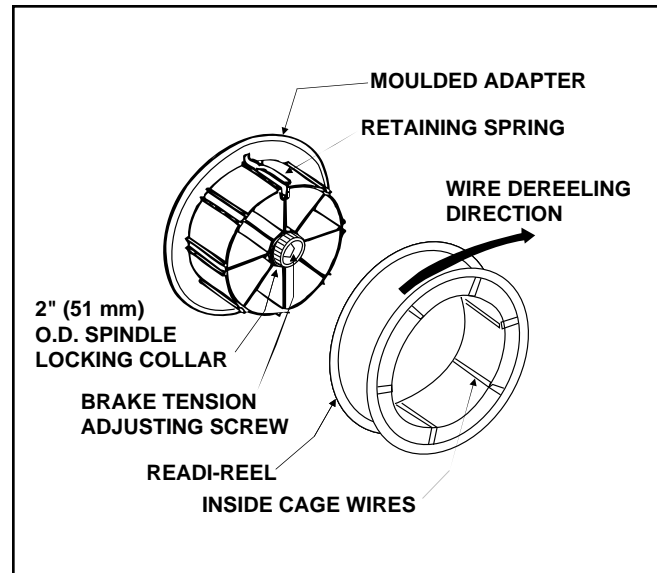


FIGURE B.2 - Wire Reel Loading.

4. Set one of the Redi-Reel inside cage wires on the slot in the retaining spring tab.
5. Lower the Redi-Reel to depress the retaining spring and align the other inside cage wires with the grooves in the molded adapter.
6. Slide the cage all the way onto the adapter until the retaining spring "pops" up fully.

⚠ WARNING

Check to be sure the retaining spring has fully returned to the locking position and has securely locked the Redi-reel cage in place. Retaining spring must rest on the cage not the welding electrode.

NOTE: The retaining spring side of the Adapter should be facing the center (inner) panel of the WIRE-MATIC 255.

7. To remove the Redi-Reel from Adapter, depress retaining spring tab with thumb while pulling the Redi-Reel cage from the molded adapter with both hands. Do not remove Adapter from spindle.

WIRE-MATIC 255



Return to Section TOC
Return to Master TOC

To mount a 10 to 44 lb. (4.5 to 20 kg) spools: 8" (200mm) [Use K468 Adapter] and 12" (300mm) diameter:

1. Remove the locking collar and the Readi-Reel Adapter (if installed) on the 2 inch (51mm) diameter spindle.
2. If using an 8" (200mm) spool, place the K468 Adapter on the spindle first. The hole in the Adapter arm is to engage the pin on the spindle.
3. Place the spool on the spindle, making certain the brake driving pin enters one of the holes in the back side of the spool. Be certain the wire comes off the reel in a clockwise direction when dereeled from the top of the coil.
4. Replace and tighten the locking collar for several seconds.
5. Press the gun trigger and push the electrode into the drive roll.
 - a. If the electrode fails to thread itself into the outgoing guide tube of the wire drive
 - open the quick release idle roll arm
 - thread the electrode manually
 - re-close the arm.
6. Inch the electrode through the gun.

NOTE: If using the low speed starting feature, the wire will feed at low speed for 2 seconds while inching, then come up to the set speed. To change run-in mode, see the ***Changing the Run In Mode Section***.

FEEDING ELECTRODE

WARNING

When inching, the electrode and drive mechanism are electrically hot to work and ground. The electrode remains hot several seconds after the gun trigger is released.

NOTE: Check that the proper drive rolls and gun parts for the wire size and type are being used.

1. Turn the Readi-Reel or spool until the free end of the electrode is accessible.
2. Tightly holding the electrode, cut off the bent end and straighten the first six inches.
 - a. If the electrode is not properly straightened, it may not feed properly into the outgoing guide tube or welding gun causing a "birdnest.")
3. Cut off the first inch.
4. Push the wire through the ingoing guide tube.

PROPER WIRE FEEDING

Wire feeding problems can be avoided by observing the following gun handling procedures:

- Do not kink or pull cable around sharp corners.
- Keep the electrode cable as straight as possible when welding or loading electrode through cable.
- Do not allow dolly wheels or trucks to run over cables.
- Keep cable clean by following maintenance instructions.
- Use only clean, rust-free electrode. The Lincoln electrodes have proper surface lubrication.
- Replace contact tip when the arc starts to become unstable or the contact tip end is fused or deformed.

WIRE-MATIC 255



SETTING IDLE ROLL PRESSURE

The idle roll pressure thumb screw is set at the factory backed out 2-1/2 turns from full pressure. This is an approximate setting. The optimum idle roll pressure varies with type of wire, wire diameter, surface conditions, lubrication, and hardness. As a general rule, hard wires may require greater pressure, and soft, or aluminum wire, may require less pressure than the factory setting. The optimum idle roll setting can be determined as follows:

1. Push the end of gun against a solid object that is electrically isolated from the welder output.
2. Press the gun trigger for several seconds.
 - a. If the wire "birdnests", jams, or breaks at the drive roll, the idle roll pressure is too great. Back the thumb screw out 1/2 turn, run new wire through gun, and repeat steps 1 and 2.
 - b. If the drive roll slips, loosen the thumb screw on the conductor block and pull the gun cable forward about 6" (15 cm). There should be a slight waviness in the exposed wire. If there is no waviness, the pressure is too low. Tighten the thumb screw 1/4 turn, reinstall the gun cable, and repeat steps 1 and 2.

OPERATING STEPS

WARNING

Before operating the machine, be sure you have all the materials needed to perform the work. Be sure you are familiar with and have taken all possible safety precautions before starting the work. It is important that you follow these operating steps each time you use the machine.

STARTING THE WELDER

1. Turn the POWER switch to ON. This illuminates the red LED pilot light.
2. Select the correct voltage and wire speed for the welding process required.
3. Operate the gun trigger for welder output and to energize the wire feeder motor.

NOTE: When the POWER SWITCH is ON, the fan motor is thermostatically controlled to provide cooling for the transformer and other components only when the machine needs cooling. When the machine does not require fan cooling the fan does not run, such as when first turned on, when welding at low current, or at low duty cycle procedures.

CHANGING RUN-IN MODE

FAST OR SLOW RUN-IN MODE SELECTION

The WIRE-MATIC 255 is factory set for fast run-in mode where the wire feed will accelerate directly to the preset wire feed speed when the gun trigger is closed.

Slow run-in mode may also be selected, where it will initially feed wire at 50 IPM until output current is sensed or for 2.0 seconds, whichever occurs first. After which it will accelerate to the preset wire feed speed.

INSTRUCTIONS TO ENTER SLOW RUN-IN MODE

1. Turn power OFF on front panel of Wire-Matic 255.
2. Turn the wire feed speed dial to minimum, fully counterclockwise.
3. With the gun trigger closed, turn the power ON at the front panel of the Wire-Matic 255.
4. The gas solenoid will actuate two times to signal that the unit has entered the slow run-in mode (the gun trigger need only be closed until the first gas solenoid actuation is heard).

INSTRUCTIONS TO ENTER FAST RUN-IN MODE

1. Turn power OFF on front panel of Wire-Matic 255.
2. Turn the wire feed speed dial to maximum, fully clockwise.
3. With the gun trigger closed, turn the power ON at the front panel of the Wire-Matic 255.
4. The gas solenoid will actuate four times to signal that the unit has entered the fast run-in mode (the gun trigger need only be closed until the first gas solenoid actuation is heard).

WIRE-MATIC 255



NOTE: Arc starting characteristics may be affected when using the fast run-in mode since optimum starting processes are being overridden.

When the trigger is closed at power up, no output power or wire feed will be available until the trigger is opened and reclosed, regardless of wire feed speed dial setting.

It is not necessary to repeat either of the above procedures each time the unit is powered up. The unit will remember the run-in mode from the previous power down and return you to that same state upon your next power up. Thus, you need only perform one of the above procedures when you want to change the run-in mode.

MAKING A WELD

1. Check that the electrode polarity is correct for the process being used.
2. Turn the POWER SWITCH to ON.
3. Set desired arc voltage and wire speed for the electrode wire, material type and thickness, and gas (for GMAW) being used.

NOTE: Use the Application Chart on the door inside the wire compartment as a quick reference for some common welding procedures.

NOTE: If Timer Kit is installed, see the Accessories Section of this manual to select the desired mode and for additional welding information Spot and Stitch modes.

4. Inch the electrode through the gun and cable.
5. Cut the electrode within approximately 3/8" (10mm) of the end of the contact tip or 3/4" (20mm) for Outershields.

NOTE: If set to slow run-in, when the trigger is pulled the wire feeder feeds wire at low speed regardless of the set wire feed speed until the welding arc starts or 2 seconds has elapsed. This feature enhances starting and makes it easier to set the stickout. The 2 second limit permits high speed loading of the gun and cable. To change run-in mode, refer to **Changing Run In Mode Section**.

6. If welding gas is to be used, turn on the gas supply and set the required flow rate (typically 25-35 CFH; 12-16 Liters/min).

NOTE: When using Innershield electrode, the gas nozzle may be removed from the insulation on the end of the gun. This will give improved visibility and eliminate the possibility of the gas nozzle overheating.

7. Connect the work cable to metal to be welded. Work clamp (if used) must make good electrical contact to the work. The work must be grounded.

WARNING

When using an open arc process, it is necessary to use correct eye, head and body protection.

8. Position electrode over joint. End of electrode may be lightly touching the work.
9. Lower welding helmet, close gun trigger, and begin welding. Hold the gun so the contact tip to work distance is about 3/8 inch (10mm) or 3/4" (20mm) for Outershield.
10. To stop welding, release the gun trigger and then pull the gun away from the work after the arc goes out.
11. When no more welding is to be done, close the valve on gas cylinder (if used), momentarily operate gun trigger to release gas pressure.
12. Turn POWER SWITCH to OFF.

NOTES

Return to Section TOC

Return to Section TOC

Return to Section TOC

Return to Section TOC

Return to Master TOC

Return to Master TOC

Return to Master TOC

Return to Master TOC

WIRE-MATIC 255



ACCESSORIES

TABLE OF CONTENTS - ACCESSORIES SECTION -

ACCESSORIES SECTION	Section C
Other Available Magnum 250L Gun and Cable Assembly	C-1
Magnum Gun Connection Kit (Optional K466-6)	C-1
K672-1 Spool Gun Adapter Kit.....	C-1
Making a Weld with the Spool Gun Adapter and Spool Gun (K672-1) Installed.....	C-1
Making a Weld with the Spool Gun Adapter (K672-1) Installed.....	C-2
Timer Kit (K585-1).....	C-3
Timer Kit Installation (Optional K585-1).....	C-3
Making Spot and Stitch Welds with Timer Kit Installed ...	C-4
Drive Roll Kits	C-4
3/64" Aluminum Feeding Kit (K673-1).....	C-4
K468 8" Spool Adapter.....	C-4
K363P Readi-Reel Adapter	C-4
Dual Cylinder Mounting (K671-1).....	C-5

Return to Master TOC

Return to Master TOC

Return to Master TOC

Return to Master TOC

WIRE-MATIC 255



OPTIONS/ACCESSORIES

OTHER AVAILABLE MAGNUM 250L GUN AND CABLE ASSEMBLY

The following GMAW gun and cable assemblies are available for use with the WIRE-MATIC 255. Each is rated 200 amps 60% duty cycle or 250 amps 35% duty cycle. The gun and cable assemblies are equipped with the integrated connector, twist-lock trigger connector, and includes a liner, diffuser, and contact tips for the wire sizes specified:

LENGTH	PART NO.	WIRE SIZE
10' (3.0 m)	K533-1	.035-.045" (0.9-1.2mm)
12' (3.6 m)	K533-2*	
15' (4.5 m)	K533-3	
10' (3.0 m)	K533-4	.025-.030" (0.6-0.8mm)
12' (3.6 m)	K533-5	
15' (4.5 m)	K533-6	

* Included with the K578-1.

MAGNUM GUN CONNECTION KIT (Optional K466-6)

Using the optional K466-6 Magnum Connection kit for the Wire-Matic permits use of standard Magnum 200, 300 or 400 gun and cable assemblies.

K672-1 SPOOL GUN ADAPTER KIT

⚠ WARNING

Remove all input power to the Wire-Matic 255 before proceeding.

The K672-1 Spool Gun Adapter Kit provides recessed panel "up front" direct connection of the K487 Spool Gun (with remote speed control), or the K469 Spool Gun (requiring K518 Connection Adapter) with the SP-255, SP255-I and Wire-Matic 255 wire feed welder machines.

It also provides single switch transfer between the machine's use with its feeder gun or the spool gun for same polarity welding with different wire and gas processes.

The kit includes a spool gun adapter module assembly with a single connecting plug, a rear gas inlet setting with hose, a gun and cable holders and mounting hardware with installation and operating instructions. (L9696)

⚠ CAUTION

The spool gun module is intended for use with Lincoln Electric® Magnum™ Spool Guns only. Use with other units may cause damage to the equipment. For Spool Gun operation, refer to the instruction manual provided with the Magnum™ Spool Gun.

MAKING A WELD WITH THE SPOOL GUN ADAPTER AND SPOOL GUN (K672-1) INSTALLED

The toggle switch on the front of the spool gun adapter box permits quick transfer between the use of the Wire-Matic 255 with its feeder gun and the connected spool gun for same polarity electrodes.

WIRE-MATIC 255



MAKING A WELD WITH THE SPOOL GUN ADAPTER (K672-1) INSTALLED

⚠ CAUTION

In either transfer switch position, closing the gun trigger will cause the electrode of both guns to be electrically "HOT." Be sure unused gun is positioned so the electrode or the tip will not contact metal case or other metal common to the work. A gun holder is provided with the K672-1 kit for this purpose.

1. The transfer switch in FEEDER position:
 - a. Disables spool gun trigger, wire feed, and gas output.
 - b. Closing the feeder gun trigger starts feeder gun welding and makes both electrodes electrically "HOT."
2. Transfer switch in SPOOL position:
 - a. Disables feeder gun wire feed and gas output. However, closing feeder gun trigger will make both electrodes electrically "HOT" and activate spool gun gas output.
 - b. Closing spool gun trigger starts spool gun welding and makes both electrodes electrically "HOT".
3. Operation with Wire-Matic 255:
 - a. Turn the Wire-Matic input power ON, and the transfer switch is to be in the SPOOL position.
 - b. Adjusting the voltage control will increase or decrease your welding Voltage.
 - c. Adjusting the wire speed control will increase or decrease the spool gun wire feed speed. This represents the set speed for the K469 spool gun and the maximum set speed for the K487 Spool Gun with the remote control in gun handle at maximum.

The remote control turned to minimum will give approximately 50% of the maximum set WFS.

NOTE: The WIRE-MATIC 255 speed calibrated dial markings are not accurate when used for setting the Spool Gun speed.

4. The following procedure settings can be used as initial settings for making test welds to determine final settings:

Wire Diameter In. (mm)	WFS Setting Wire-Matic 255	Arc Voltage Setting
.030" (.8mm)	270	15 V
.035" (.9mm)	250	16 V
3/64" (1.2mm)	210	21 V

5. To return to normal WIRE-MATIC 255 welding, set the transfer switch to FEEDER position and reset feeder gun weld procedure settings.

WIRE-MATIC 255



TIMER KIT (K585-1)

The Timer Kit provides selectable 4-step trigger interlock, spot and stitch functions, and manual adjustment of burnback time. This kit installs easily using only a screwdriver. It replaces the blank upper panel on Case Front. It offers the following mode selections:

- The Normal Welding mode provides welding power only while gun trigger is pressed.
- The 4-Step Trigger mode eliminates the need to hold gun trigger while welding. It operates in 4 steps:
 1. Close trigger and establish welding arc.
 2. Release trigger and continue welding.
 3. Re-close trigger near end of weld.
 4. Release trigger again to stop welding.
- The Spot Weld mode allows a single timed weld cycle each time the gun trigger is held closed. Duration is set with SPOT/STITCH ON TIME knob.
- The Stitch Weld mode allows repeated timed weld cycles while gun trigger is held closed. Weld on-time is set with SPOT/STITCH ON TIME knob, and weld off time is set with STITCH OFF TIME knob.

The BURNBACK TIME knob is used to manually set arc power delay at the end of any above selected weld mode to prevent wire sticking in the weld. With the Timer Kit not installed, a preselected delay is automatically set by the machine.

TIMER KIT INSTALLATION (OPTIONAL K585-1)

WARNING

Remove all input power to the WIRE-MATIC 255 before proceeding.

1. Verify that the following items have been included in the kit:
 - a. Timer Board and Panel Assembly.
 - b. Two sheet metal screws.
 - c. Wiring harness.
2. Turn the POWER SWITCH to OFF.
3. Disconnect AC input power to the machine.
4. Remove the Cover Plate Assembly from the front of the machine by removing the two screws which fasten it using a screwdriver, a 5/16" (8mm) nut driver, or other suitable tool.
5. Reach through the exposed panel opening and attach the rectangular 8-pin plug connector on the Timer Kit wiring harness to the available mating receptacle connector on the upper left corner of the Control Board inside the machine.
 - a. Be sure that the latch on the connector is aligned with that on the Control Board and insert it until the latch engages.
 - b. Check that the remaining connector on the opposite end of the wiring harness is firmly attached to the mating connector on the PC Board on the Timer Kit panel, and that the latch is engaged.
6. Align the Timer Kit panel so you can carefully insert the printed circuit board and wiring harness through the opening in the front panel.
 - a. Make sure the wiring harness is not pinched between panels or between printed circuit board and front panel.
7. Fasten the Timer Kit assembly with either the two supplied screws or with the original screws to complete the installation.

WIRE-MATIC 255



MAKING SPOT AND STITCH WELDS WITH TIMER KIT INSTALLED

TO MAKE SPOT PLUG WELDS:

The SPOT WELD MODE is used to make spot plug welds when continuous welds are not needed or to hold thin sheet metal together prior to stitch welding or continuous welding.

Plug welds are made by using a punch to make a 3/16" (5mm) diameter hole in the top sheet and arc welding through the hole into the back sheet.

1. Punch 3/16" (5mm) holes in the top sheet.
2. Set the SPOT/STITCH ON-TIME control to approximately 1.2 seconds.
3. Set the procedure for the metal thickness to be welded.
4. Install spot weld nozzle (if available) on gun and press it against the top sheet so the top and bottom sheets are tight together.
5. Close trigger and hold it closed until the arc goes out.
 - a. If a spot weld nozzle is not used, smoother welds will result by moving the welding wire in a small circle during the weld.

TO MAKE A STITCH WELD:

The STITCH WELD MODE is used to weld thin material when warpage and burn through are a problem. Proper adjustment of the Spot/Stitch On-Time, Stitch Off-Time, and arc travel speed permits welding thin sheet metal with small welds, minimum distortion, and no burnthrough.

1. The SPOT/STITCH ON-TIME KNOB sets welding time.
 - a. Start with a dial setting of 0.5 seconds. Raise setting to increase penetration and weld size. Lower setting to reduce burnthrough and distortion.
2. The STITCH OFF-TIME KNOB sets off time between welds.
 - a. Start with a dial setting of 0.5 seconds. Raise setting to reduce burnthrough. Lower setting to make weld flatter and smoother.

3. Set the procedure for the metal thickness to be welded.
4. Close trigger and hold it closed for length of seam.
 - a. Hold gun in one place during ON time and move gun just beyond edge of molten metal during OFF time.

NOTE: For smoothest welds on thinner metal, point gun slightly toward the direction of travel.

DRIVE ROLL KITS

The following drive rolls and Magnum 250L gun and cable parts are available to feed different sizes and types of electrodes.

Steel Wire Sizes: .025 - .035" (0.6-0.9mm) .030 - .045" (0.8-1.2mm) .045" Cored (1.2mm)	Part Number KP674-035S KP674-045S KP674-045C
Aluminum Wire Sizes: 3/64" (1.2mm)	KP674-3/64A

3/64" (1.2mm) ALUMINUM FEEDING KIT (K673-1)

Provides gun and wire drive conversion parts to weld with 3/64" (1.2mm) aluminum wire. 5356 alloy aluminum wire is recommended for best push feeding performance.

Kit includes drive roll and incoming guide tube for the wire drive, and 45° gun tube, liner and two contact tips for the gun, along with S21529 installation instructions.

K468 8" SPOOL ADAPTER

The K468 Spool Adapter permits the use of 8" Spools on the Wire-Matic 255 spindle.

K363P READI-REEL ADAPTER

The K363P Readi-Reel Adapter mounts to the 2" spindle. It is needed to mount the 22-20 lb. Readi-Reels.

WIRE-MATIC 255



DUAL CYLINDER MOUNTING KIT (K671-1)

Permits stable side-by-side mounting of two full size (9" dia. x 5' high) gas cylinders with "no lift" loading. Simple installation with installation kick stand and easy instructions provided (L9687). Includes upper and lower cylinder supports, wheel axles and mounting hardware.

[Return to Section TOC](#)[Return to Master TOC](#)[Return to Section TOC](#)[Return to Master TOC](#)[Return to Section TOC](#)[Return to Master TOC](#)[Return to Section TOC](#)[Return to Master TOC](#)**WIRE-MATIC 255**

MAINTENANCE

TABLE OF CONTENTS - MAINTENANCE SECTION -

MAINTENANCE SECTION	Section D
Safety Precautions.....	D-1
Routine and Periodic Maintenance.....	D-1
Component Locations	D-2
Drive Rolls and Guide Tubes	D-3
Cable Cleaning.....	D-3
Gun Tubes and Nozzles.....	D-3
Contact Tip and Gas Nozzle Installation.....	D-3
Liner Removal and Replacement.....	D-4
Liner Removal, Installation, and Trimming Instructions for Magnum 250L.....	D-4
Gun Handle Disassembly	D-5
Accessories and Expendable Replacement Parts for Magnum 250L Gun and Cable Assemblies	D-6

Return to Master TOC

Return to Master TOC

Return to Master TOC

Return to Master TOC

WIRE-MATIC 255



SAFETY PRECAUTIONS

WARNING

- Have a qualified electrician do the maintenance and troubleshooting work.
- Disconnect the input power off using the disconnect switch at the main input supply before working inside machine.
- Unplug the power cable if it is connected to a receptacle.

Read the Safety Precautions in the front of this manual before working on this machine.

ROUTINE AND PERIODIC MAINTENANCE

1. Disconnect input AC power supply lines to the machine before performing periodic maintenance, tightening, cleaning, or replacing parts. See Figure D.1.

Perform the following daily:

1. Check that no combustible materials are in the welding or cutting area or around the machine.
2. Remove any debris, dust, dirt, or materials that could block the air flow to the machine.
3. Inspect the electrode cables for any slits, punctures in the cable jacket, or any condition that would affect the proper operation of the machine.

Perform Periodically:

Clean the inside of the machine with low pressure air stream. Clean the following parts. Refer to Figure D.1.

Main transformer and choke.
Electrode and work cable connections.
SCR rectifier bridge and heat sink fins.
Fan Motor Assembly.
Control Printed Circuit Board.

NOTE: The fan motor has sealed bearings which require no maintenance.

WIRE-MATIC 255



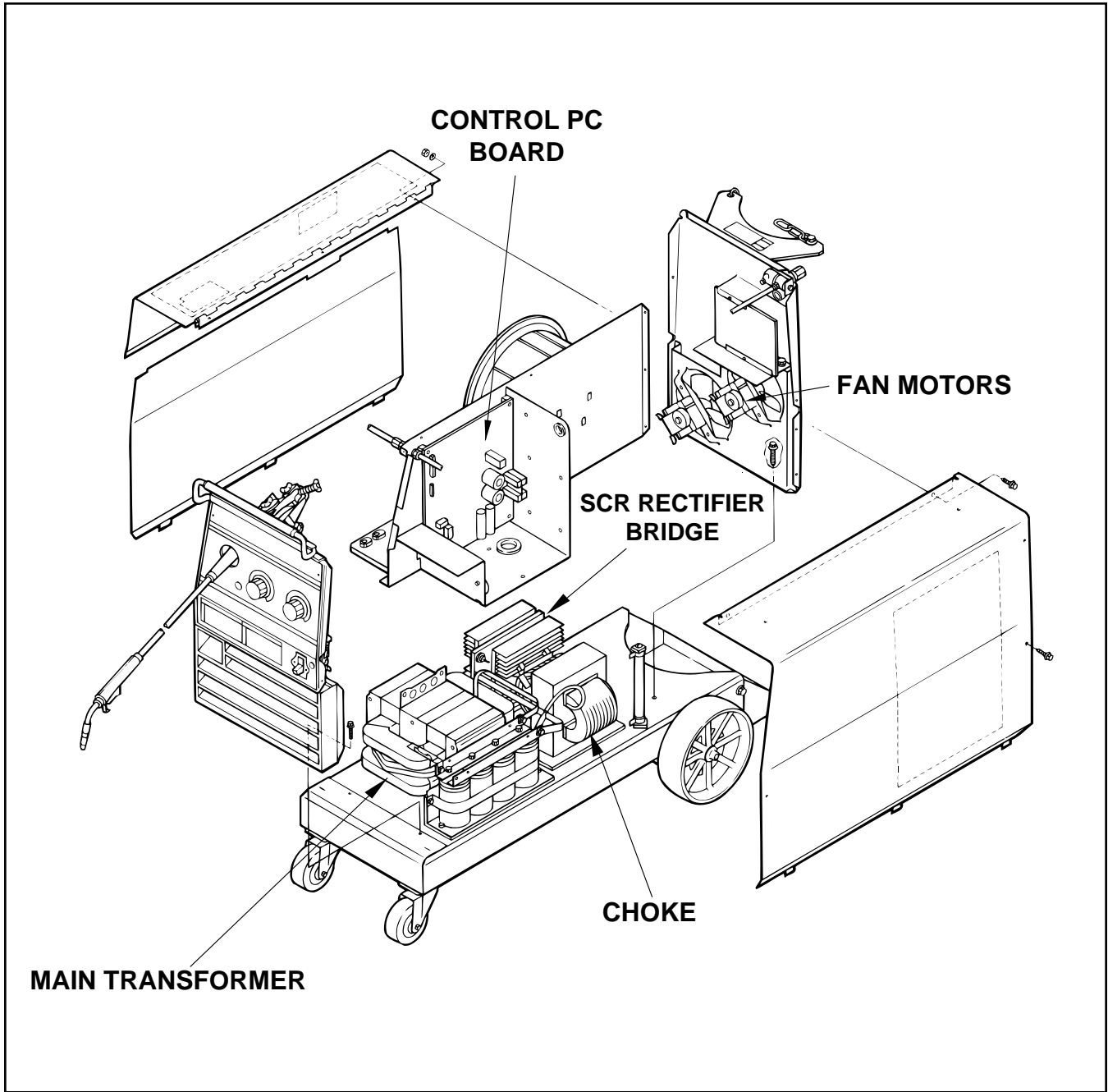


Figure D.1 - Component Locations.

WIRE-MATIC 255



Return to Section TOC

Return to Master TOC

Return to Section TOC

Return to Master TOC

Return to Section TOC

Return to Master TOC

Return to Section TOC

Return to Master TOC

DRIVE ROLLS AND GUIDE TUBES

After every coil of wire, inspect the wire drive mechanism. Clean it as necessary by blowing with low pressure compressed air. Do not use solvents for cleaning the idle roll because it may wash the lubricant out of the bearing. All drive rolls are stamped with the wire sizes they will feed. If a wire size other than that stamped on the roll is used, the drive roll must be changed.

CABLE CLEANING

Clean the cable liner after using approximately 300 pounds (136 kg) of electrode.

1. Remove the cable from the wire feeder and lay it out straight on the floor.
2. Remove the contact tip from the gun.
3. With an air hose at the gas diffuser end, use low pressure to gently blow out the cable liner.

CAUTION

Excessive pressure at the start may cause the dirt to form a plug.

4. Flex the cable over its entire length and again blow out the cable.
5. Repeat this procedure until no more dirt comes out.

GUN TUBES AND NOZZLES

1. Replace worn contact tips as required.
2. Remove spatter from the inside of the gas nozzle and tip every 10 minutes of arc time or as required.

CONTACT TIP AND GAS NOZZLE INSTALLATION

1. Choose the correct size contact tip for the electrode being used (wire size is stenciled on the side of the contact tip) and screw it snugly into the gas diffuser.
 - a. Be sure the nozzle insulator is fully screwed onto the gun tube and does not block the gas holes in the diffuser.
2. Slip or screw the appropriate gas nozzle onto the nozzle insulator.

Note: Either a standard .50" (12.7mm) or optional .62" (15.9mm) I.D. slip-on gas nozzle may be used and should be selected based on the welding application.

3. Adjust the gas nozzle as appropriate for the GMAW process to be used.
 - a. Typically, the contact tip end should be flush to extended .12" (3.2mm) for the short-circuiting transfer process and recessed .12" (3.2mm) for spray transfer.

LINER REMOVAL AND REPLACEMENT

NOTE: When you change wire size, a replacement gas diffuser is required. Use the table below to select the proper diffuser so the liner is held securely in place.

Diameter of Electrodes Used	Replacement Liner Part Number	Size Stenciled on End of Liner Bushing	Fixed Nozzle Gas Diffuser Part No. (and Stencil)	Adjustable Nozzle Gas Diffuser Part No. (and Stencil)
.025-.030" Steel (0.6-0.8mm)	M16087-2	.030 (0.8mm)	S19418-3	S19418-2
.035-.045" Steel (0.9-1.2mm)	M16087-1	.045 (1.2mm)	S19418-3	S19418-1
3/64" Aluminum (1.2mm)	M17714-1	3/64" (1.2mm)	S19418-3	S19418-1

LINER REMOVAL, INSTALLATION, AND TRIMMING INSTRUCTIONS FOR MAGNUM 250L

NOTE: The variation in cable lengths prevents the interchange ability of liners between guns. Once a liner has been cut for a particular gun, it should not be installed in another gun unless it can meet the liner cut off length requirement. Liners are shipped with the jacket of the liner extended the proper amount.

1. Remove the gas nozzle and nozzle insulator.
2. Locate the set screw in the gas diffuser which is used to hold the old liner in place.
3. Loosen the set screw with a 5/64" (2.0mm) Allen wrench.
4. Remove the gas diffuser from the gun tube.
5. Lay the gun and cable out straight on a flat surface.
6. Loosen the set screw located in the brass connector at the feeder end of the cable and pull the liner out of the cable.
7. Insert a new untrimmed liner into the connector end of the cable.
 - a. Check the liner bushing stencil to make sure it is the appropriate one for the wire size being used.

8. Fully seat the liner bushing into the connector.
9. Tighten the setscrew on the brass cable connector.

NOTE: Do not install the gas diffuser onto the end of the gun tube at this time.

10. Straighten the cable with the gas nozzle and nozzle insulator removed from the gun tube.
11. Trim the liner to the length shown in FIGURE D.2.

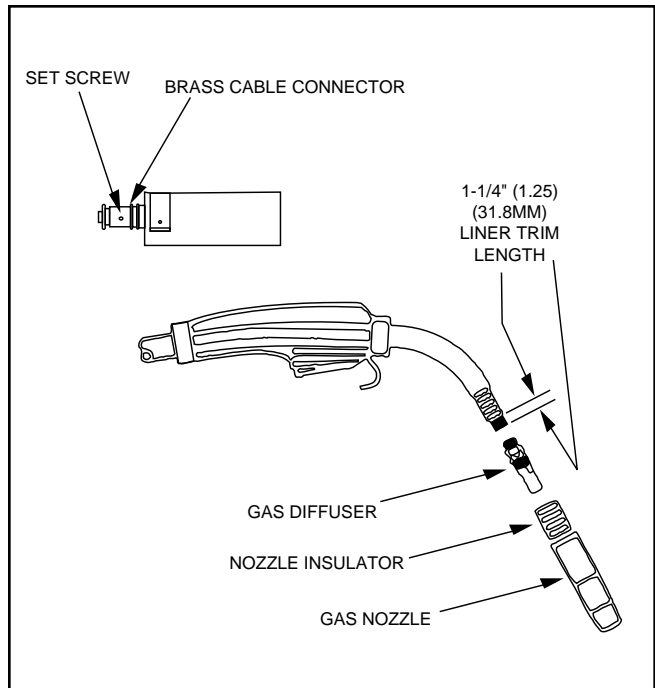


FIGURE D.2 - Liner maintenance.

WIRE-MATIC 255



- 12 Remove any burrs from the end of the liner.
13. Screw the gas diffuser onto the end of the gun tube and tighten.

NOTE: Be sure the gas diffuser is correct for the liner being used. (See table and diffuser stencil.)

14. Slightly tighten the set screw in the side of the gas diffuser against the cable liner using 5/64" (2.0mm) Allen wrench.

⚠ CAUTION

This screw should only be gently tightened. Over tightening will split or collapse the liner and cause poor wire feeding.

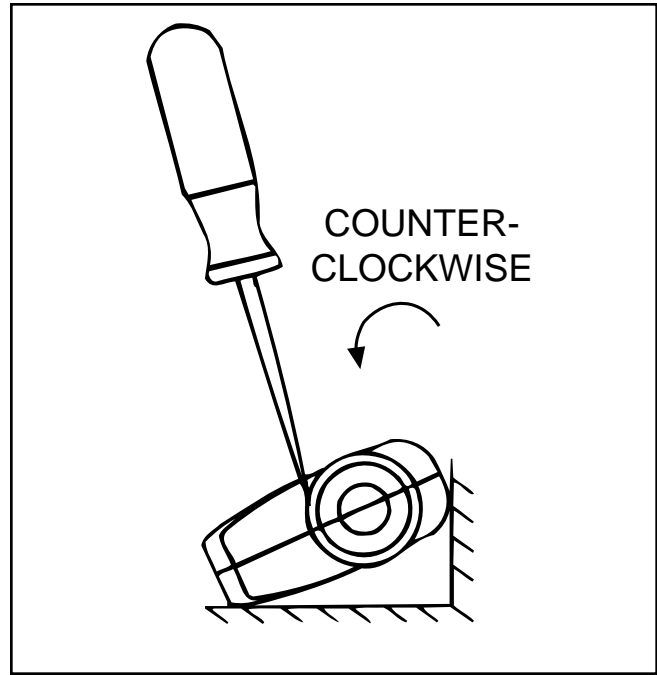


FIGURE D.3 - Gun Handle disassembly.

GUN HANDLE DISASSEMBLY

The internal parts of the gun handle may be inspected or serviced if necessary.

The gun handle consists of two halves that are held together with a collar on each end.

To open up the handle:

1. Turn the collars approximately 60 degrees counterclockwise (the same direction as removing a right hand thread) until the collar reaches a stop.
2. Pull the collar off the gun handle.

NOTE: If the collars are difficult to turn, position the gun handle against a corner, place a screwdriver against the tab on the collar and give the screwdriver a sharp blow to turn the collar past an internal locking rib. See Figure D.3.

ACCESSORIES AND EXPENDABLE REPLACEMENT PARTS FOR MAGNUM 250L GUN AND CABLE ASSEMBLIES

DESCRIPTION	PART NO.	ENGLISH SIZE	METRIC SIZE
Cable Liner For 15' (4.5m) or Shorter Cable	M16087-2	.025- .030"	0.6 - 0.8 mm
	M16087-1	.035- .045"	0.9 - 1.2 mm
	M17714-1*	3/64" (Alum. Wire)	1.2 mm (Alum. Wire)
Contact Tips Standard Duty	S19391-6	.025"	0.6 mm
	S19391-7	.030"	0.8 mm
	S19391-1**	.035"	0.9 mm
	S19391-2**	.045"	1.2 mm
Heavy Duty	S19392-1	.035"	0.9 mm
	S19292-2	.045"	1.2 mm
Tapered	S19393-5	.025"	0.6 mm
	S19393-6	.030"	0.8 mm
	S19393-1	.035"	0.9 mm
	S19393-2	.045"	1.2 mm
Tab (For Aluminum)	S18697-46*	3/64" (Alum. wire)	1.2 mm
Gas Nozzles <u>Fixed</u> (Flush)	M16081-1	3/8"	9.5 mm
	M16081-2**	1/2"	12.1 mm
	M16081-3	5/8"	15.9 mm
(Recessed)	M16080-1	3/8"	9.5 mm
	M16080-2	5/8"	15.9 mm
	M16080-3	5/8"	15.9 mm
(Requires: Gas Diffuser Assembly.)	S19418-3	.025-.045"	0.6-1.2 mm
<u>Adjustable Slip-On</u>	M16093-2	1/2"	12.7 mm
	M16093-1	5/8"	15.9 mm
(Requires: Nozzle Insulator Assembly.)	S19417-1		
(Requires: Gas Diffuser Assembly)	S19416-2	0.25 - .030"	0.6-0.8 mm
	S19416-2	0.35 - .045"	0.9-1.2mm
<u>Gasless Nozzle</u> (for Innershield®)	M16938***		
Gun Tube Assembly Standard (60 Degrees)	S18920**		
	S19890*		

* Included with K673-1 3/64" (1.2 mm) Aluminum Feeding Kit. 5356 alloy aluminum wire recommended to alleviate potential soft wire feeding problems with push-type wire feeding.

** Included with Wire-Matic 255.

*** Requires S19428-1 Gas Diffuser Assembly.

WIRE-MATIC 255



NOTES

Return to Section TOC

Return to Section TOC

Return to Section TOC

Return to Section TOC

Return to Master TOC

Return to Master TOC

Return to Master TOC

Return to Master TOC

WIRE-MATIC 255



THEORY OF OPERATION

TABLE OF CONTENTS - THEORY OF OPERATION SECTION -

THEORY OF OPERATION SECTION	Section E
Power Supply Operation	E-1
Input Line Voltage and Main Transformer	E-1
Output Rectification and Feedback Control	E-2
Constant Voltage Output	E-3
Wire Drive Motor and Feedback	E-4
Thermal Protection	E-5
SCR Operation	E-6

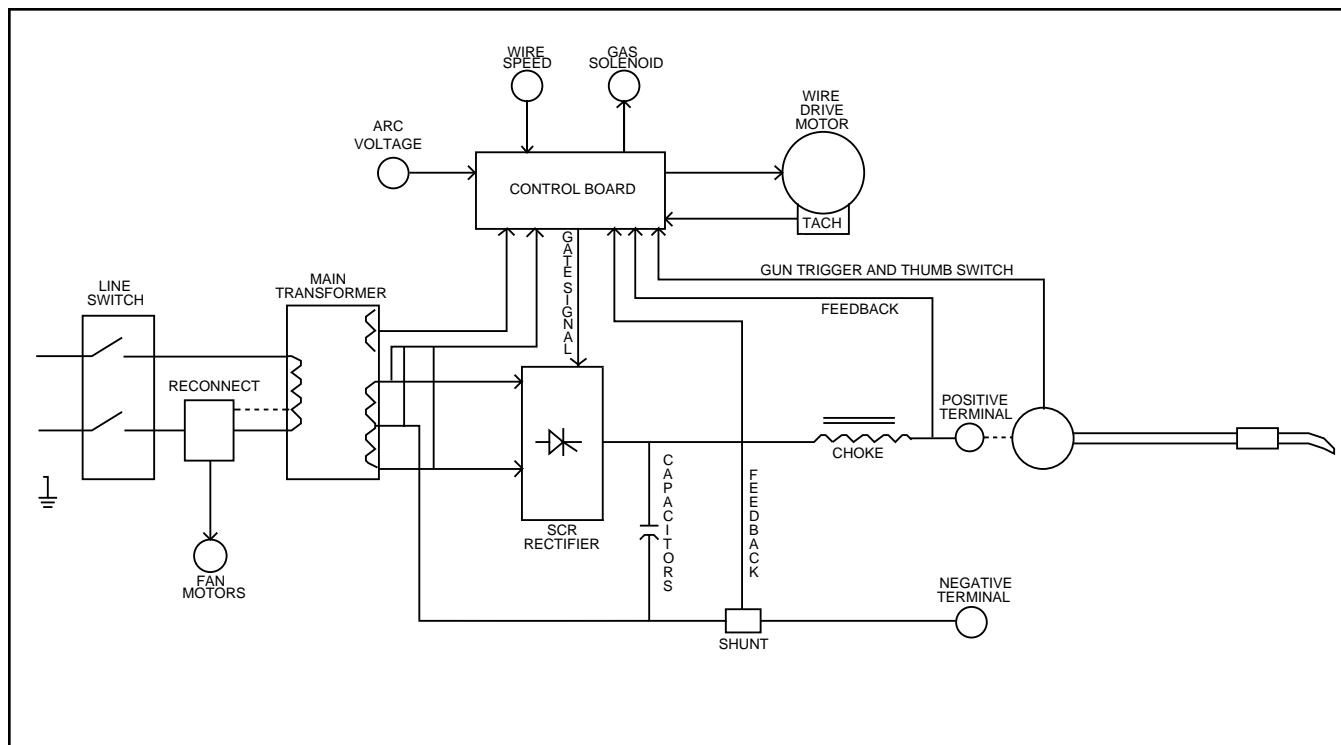


Figure E.1 -Block Logic Diagram

NOTE: Unshaded areas of Block Logic Diagram are the subject of discussion

WIRE-MATIC 255



INPUT LINE VOLTAGE AND MAIN TRANSFORMER

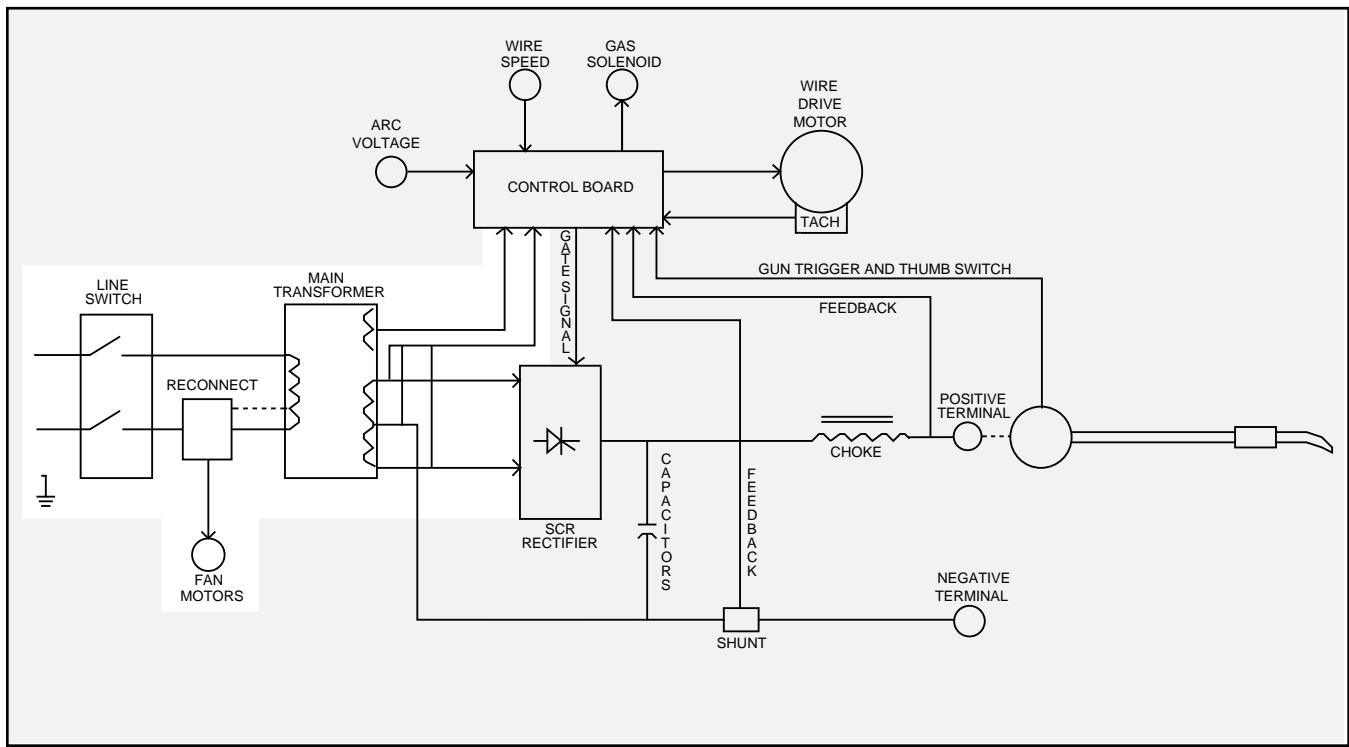


Figure E.2 - Input Line Voltage and Main Transformer.

INPUT LINE VOLTAGE AND MAIN TRANSFORMER

The desired single phase input power is connected to the WIRE-MATIC 255 through a line switch located on the front panel.

A reconnect panel allows the user to configure the machine for the desired input voltage. This AC input voltage is applied to the primary of the main transformer and to the thermostatically controlled fan motors. The transformer changes the high voltage, low current input power to a low voltage, high current output. In addition, the main transformer also has an isolated center tapped 30 VAC auxiliary winding that supplies power to the Control Board for SCR gate drive and gas solenoid operation. The weld power windings connect to the Control Board as well as to the main SCR Rectifier.

NOTE: Unshaded areas of Block Logic Diagram are the subject of discussion

WIRE-MATIC 255

OUTPUT RECTIFICATION AND FEEDBACK

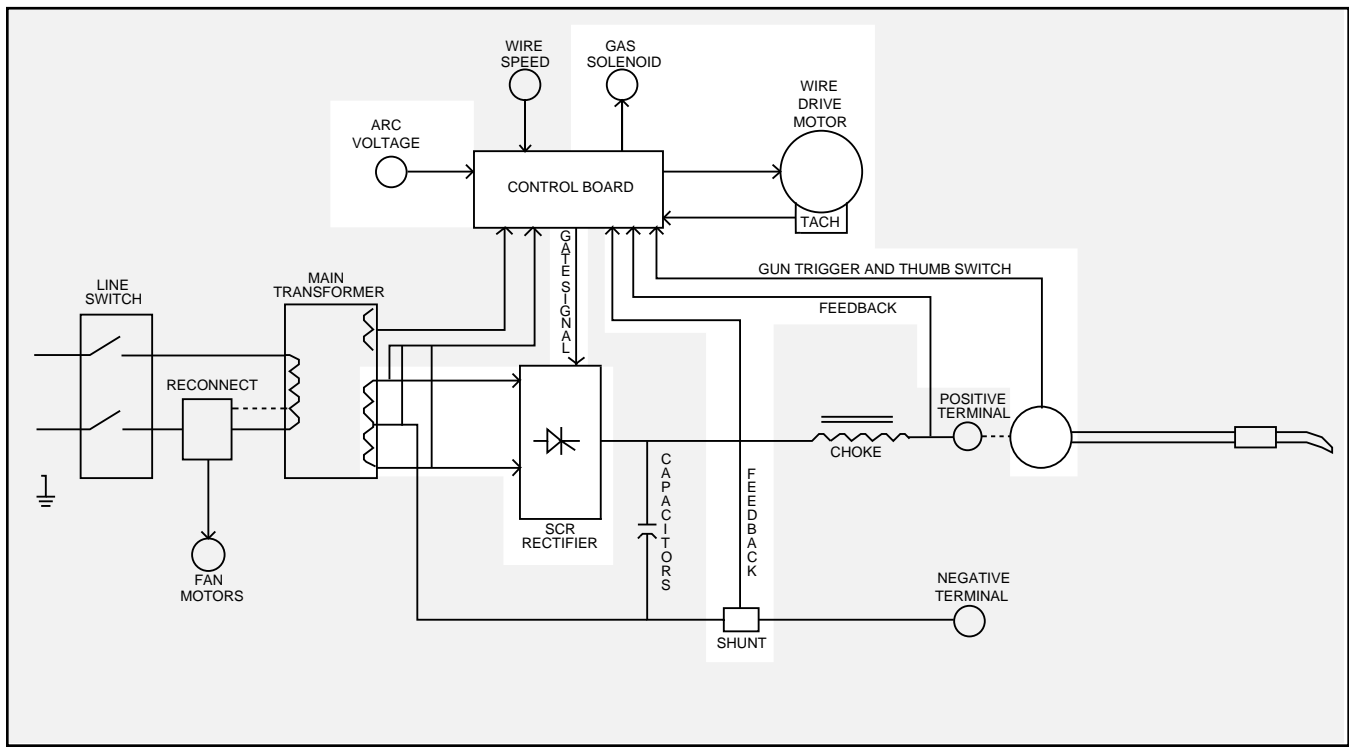


Figure E.3 - Output Rectification and Feedback.

OUTPUT RECTIFICATION AND FEEDBACK CONTROL

The AC output from the main transformer secondary weld winding is rectified and controlled through the SCR rectifier assembly. Output voltage and current are sensed at the shunt and output terminals and are fed back to the control board. The control board compares the commands of the ARC Voltage Control potentiometer with the feedback signals. The appropriate gate firing pulses are generated by the control board and applied to the SCR rectifier assembly. The control board controls the firing of the SCRs, thus controlling the output of the machine. See **SCR Operation**. The control board also powers and commands the gas solenoid and the wire drive motor.

NOTE: Unshaded areas of Block Logic Diagram are the subject of discussion

WIRE-MATIC 255

CONSTANT VOLTAGE OUTPUT

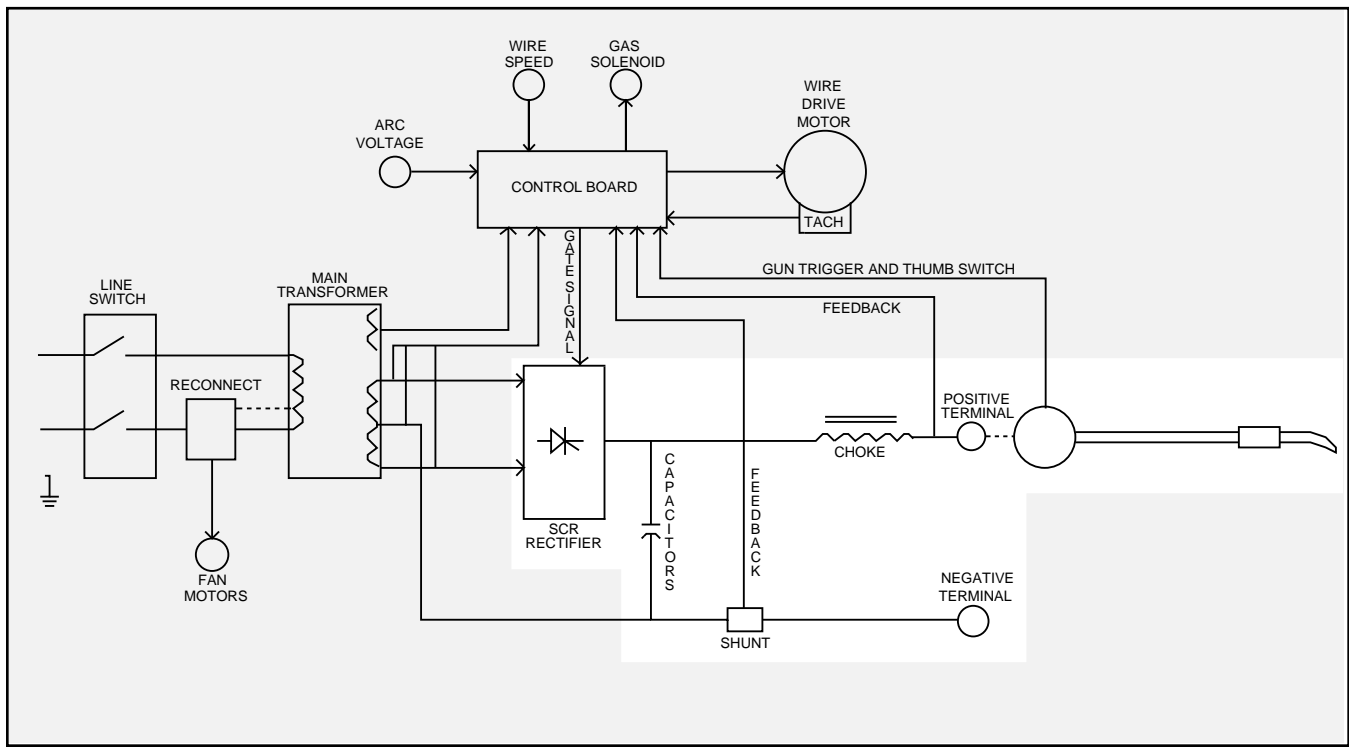


Figure E.4 - Constant Voltage Output.

CONSTANT VOLTAGE OUTPUT

The controlled DC output from the SCR rectifier assembly is filtered by the capacitor bank resulting in a constant voltage DC output. Since the output choke is in series with the positive leg of the rectifier and also in series with the gun and welding load, a filtered constant voltage output is applied to the output terminals of the machine.

NOTE: Unshaded areas of Block Logic Diagram are the subject of discussion

WIRE-MATIC 255

Return to Section TOC
Return to Master TOC

WIRE DRIVE MOTOR AND FEEDBACK

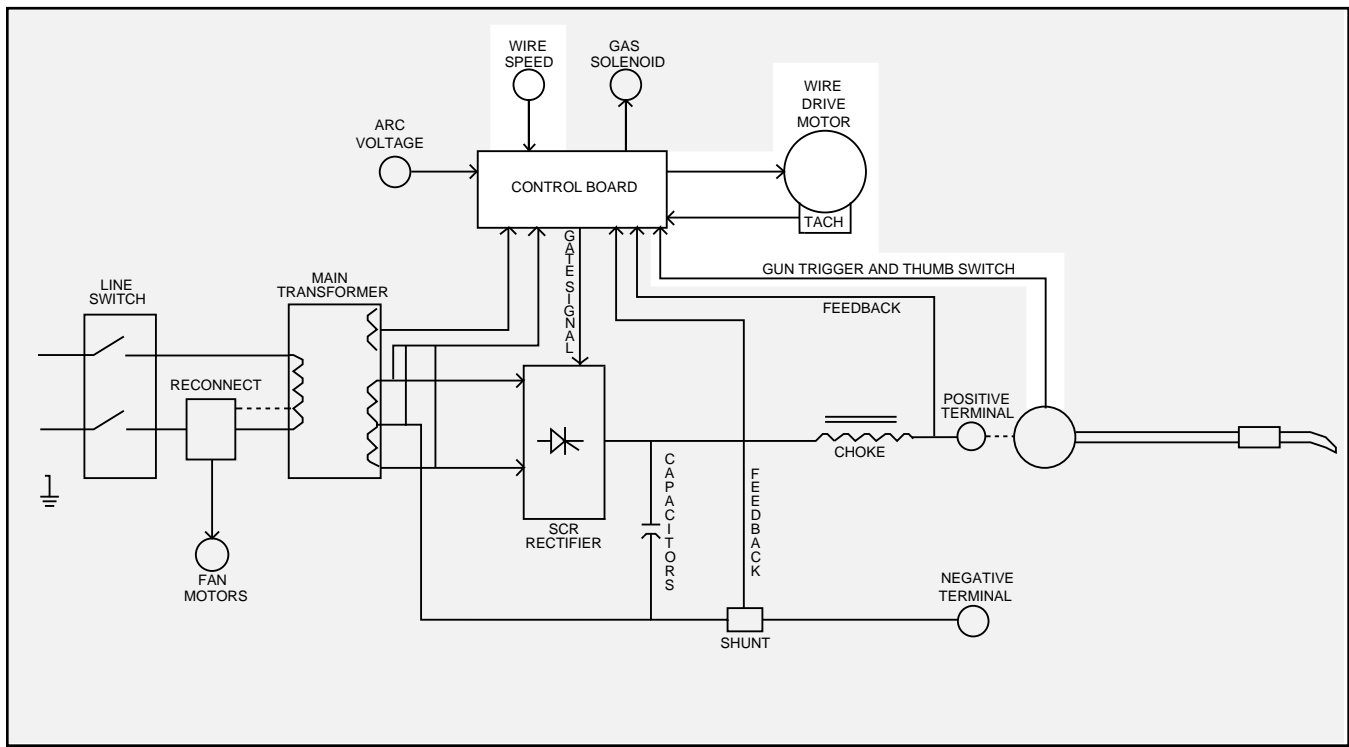


Figure E.5 - Wire Drive Motor and Feedback.

WIRE DRIVE MOTOR AND FEEDBACK

The wire drive motor is controlled by the control board. A motor speed feedback signal is generated at the motor tach and sent to the control board. The control board compares this feedback signal with the commands set forth by the Wire Speed Control potentiometer and sends the appropriate armature voltage to the wire drive motor. The drive motor speed is thus controlled which in turn regulates the electrode wire feed speed through the gun.

NOTE: Unshaded areas of Block Logic Diagram are the subject of discussion

WIRE-MATIC 255

THERMAL PROTECTION

THERMAL PROTECTION

A thermostat protects the machine from excessive operating temperatures. Excessive operating temperatures may be caused by a lack of cooling air or operating the machine beyond the duty cycle and output rating. There are three thermostats within the WIRE-MATIC 255 machine. One of the thermostats, located on the output choke, energizes the cooling fan motors when required. The other choke thermostat "opens" the trigger circuit, preventing machine weld output and wire feed, if excessive operating temperatures are detected. The third thermostat insures that the fan motors are operating when required.

The thermostats are self-resetting once the machine cools sufficiently. If the thermostat shutdown is caused by excessive output or duty cycle and the fans are operating normally, the power switch may be left on and the reset should occur within a 15 minute period. If the fans are not turning or the air intake louvers are obstructed, then the input power must be removed and the fan problem or air obstruction be corrected.

NOTE: Unshaded areas of Block Logic Diagram are the subject of discussion

WIRE-MATIC 255



SCR OPERATION

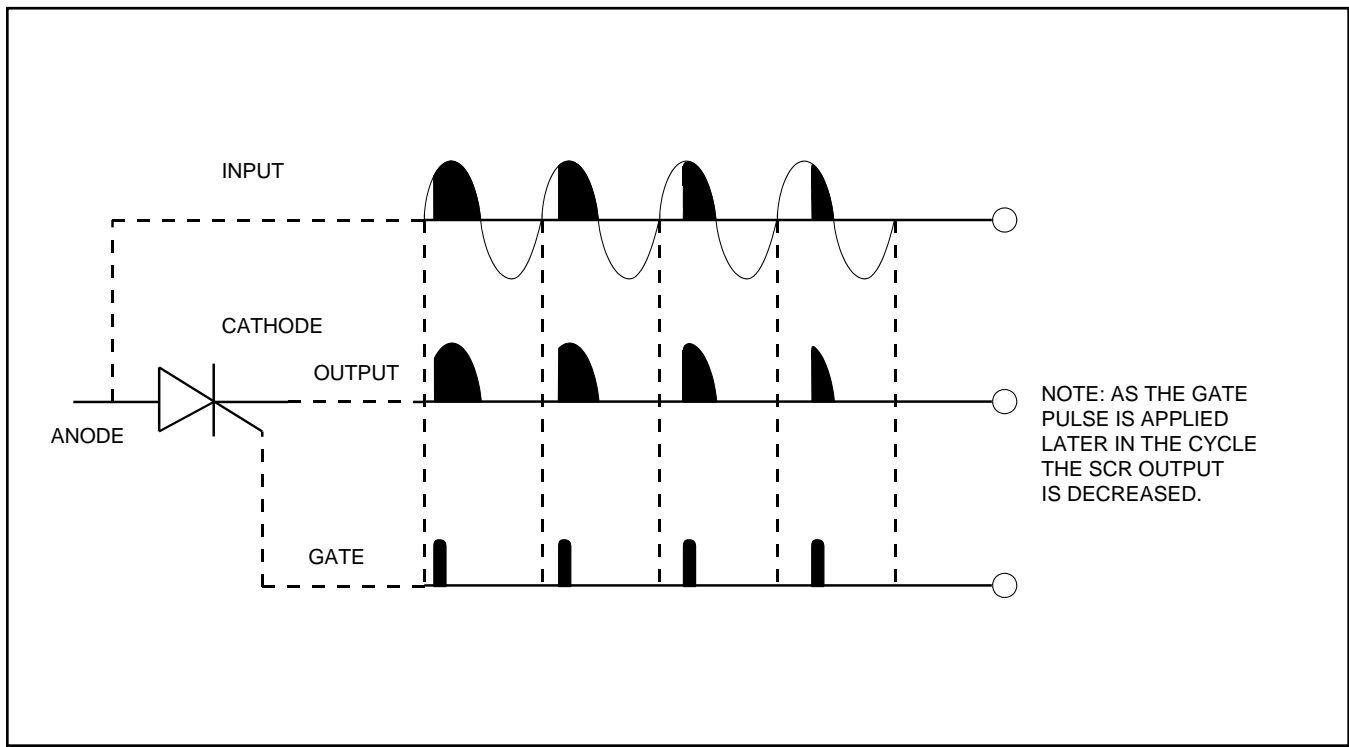


Figure E.6 - SCR Operation

A silicon controlled rectifier (SCR) is a three terminal device used to control rather large currents to a load. An SCR acts very much like a switch. When a gate signal is applied to the SCR it is turned ON and there is current flow from anode to cathode. In the ON state the SCR acts like a closed switch. When the SCR is turned OFF there is no current flow from anode to cathode thus the device acts like an open switch. As the name suggests, the SCR is a rectifier, so it passes current only during positive half cycles of the AC supply. The positive half cycle is the portion of the sine wave in which the anode of the SCR is more positive than the cathode.

When an AC supply voltage is applied to the SCR, the device spends a certain portion of the AC cycle time in the off state and the remainder of the time in the on state. The amount of time spent in the ON state is controlled by the gate.

An SCR is fired by a short burst of current into the gate. This gate pulse must be more positive than the cathode voltage. Since there is a standard PN junction between gate and cathode, the voltage between these terminals must be slightly greater than 0.6V. Once the SCR has fired it is not necessary to continue the flow of gate current. As long as current continues to flow from anode to cathode the SCR will remain on. When the anode to cathode current drops below a minimum value, called holding current, the SCR will shut off. This normally occurs as the AC supply voltage passes through zero into the negative portion of the sine wave. If the SCR is turned on early in the positive half cycle, the conduction time is longer resulting in greater SCR output. If the gate firing occurs later in the cycle the conduction time is less resulting in lower SCR output.

NOTES

Return to Section TOC

Return to Section TOC

Return to Section TOC

Return to Section TOC

Return to Master TOC

Return to Master TOC

Return to Master TOC

Return to Master TOC

WIRE-MATIC 255



TROUBLESHOOTING & REPAIR

TABLE OF CONTENTS - TROUBLESHOOTING & REPAIR SECTION -

TROUBLESHOOTING & REPAIR SECTION	Section F
How to use Troubleshooting Guide	F-1
PC Board Troubleshooting Procedures	F-2
Troubleshooting Guide	F-3
Test Procedures	
Main Transformer Test	F-10
Static SCR Rectifier Bridge Test	F-13
Active SCR Rectifier Assembly Test	F-16
Wire Drive Motor and Tachometer Feedback Test	F-19
Oscilloscope Waveforms	F-22
Normal Open Circuit Voltage Waveform	F-22
Typical Output Voltage Waveform - Machine Loaded	F-23
Abnormal Output Voltage Waveform - Machine Loaded One Output SCR Not Functioning	F-24
Abnormal Open Circuit Voltage Output Capacitor Bank Not Functioning	F-25
Typical SCR Gate Voltage Waveform	F-26
Replacement Procedures	
Control PC Board Removal and Replacement	F-27
Wire Drive Assembly Removal and Replacement	F-29
SCR Output Rectifier Removal and Replacement	F-31
Capacitor Bank Removal and Replacement	F-33
Main Transformer Removal and Replacement	F-35
Fan Motor and Fan Removal and Replacement	F-37
Retest After Repair	F-40

Return to Master TOC

Return to Master TOC

Return to Master TOC

Return to Master TOC

WIRE-MATIC 255



HOW TO USE TROUBLESHOOTING GUIDE

WARNING

Service and Repair should only be performed by Lincoln Electric Factory Trained Personnel. Unauthorized repairs performed on this equipment may result in danger to the technician and machine operator and will invalidate your factory warranty. For your safety and to avoid Electrical Shock, please observe all safety notes and precautions detailed throughout this manual.

This Troubleshooting Guide is provided to help you locate and repair possible machine malfunctions. Simply follow the three-step procedure listed below.

Step 1. LOCATE PROBLEM (SYMPTOM).

Look under the column labeled "PROBLEM (SYMPTOMS)". This column describes possible symptoms that the machine may exhibit. Find the listing that best describes the symptom that the machine is exhibiting. Symptoms are grouped into the following categories: output problems, function problems, wire feeding problems, and welding problems.

Step 2. PERFORM EXTERNAL TESTS.

The second column labeled "POSSIBLE AREAS OF MISADJUSTMENT(S)" lists the obvious external possibilities that may contribute to the machine symptom. Perform these tests/checks in the order listed. In general, these tests can be conducted without removing the case wrap-around cover.

Step 3. RECOMMENDED COURSE OF ACTION

The last column labeled "Recommended Course of Action" lists the most likely components that may have failed in your machine. It also specifies the appropriate test procedure to verify that the subject component is either good or bad. If there are a number of possible components, check the components in the order listed to eliminate one possibility at a time until you locate the cause of your problem.

All of the referenced test procedures referred to in the Troubleshooting Guide are described in detail at the end of this chapter. Refer to the Troubleshooting and Repair Table of Contents to locate each specific Test Procedure. All of the specified test points, components, terminal strips, etc. can be found on the referenced electrical wiring diagrams and schematics. Refer to the Electrical Diagrams Section Table of Contents to locate the appropriate diagram.

CAUTION

If for any reason you do not understand the test procedures or are unable to perform the tests/repairs safely, contact the Lincoln Electric Service Department for technical troubleshooting assistance before you proceed call 216-383-2531 or 1-800-833-9353.

WIRE-MATIC 255



PC BOARD TROUBLESHOOTING PROCEDURES

WARNING

ELECTRIC SHOCK can kill.

Have an electrician install and service this equipment. Turn the input power OFF at the fuse box before working on equipment. Do not touch electrically hot parts.

CAUTION: Sometimes machine failures appear to be due to PC board failures. These problems can sometimes be traced to poor electrical connections. To avoid problems when troubleshooting and replacing PC boards, please use the following procedure:

1. Determine to the best of your technical ability that the PC board is the most likely component causing the failure symptom.
2. Check for loose connections at the PC board to assure that the PC board is properly connected.
3. If the problem persists, replace the suspect PC board using standard practices to avoid static electrical damage and electrical shock. Read the warning inside the static resistant bag and perform the following procedures:



ATTENTION
Static-Sensitive Devices
Handle only at Static-Safe Workstations

Reusable Container
Do Not Destroy

P.C. Board can be damaged by static electricity.

- Remove your body's static charge before opening the static-shielding bag. Wear an anti-static wrist strap. For safety, use a 1 Meg ohm resistive cord connected to a grounded part of the equipment frame.

- If you don't have a wrist strap, touch an unpainted, grounded, part of the equipment frame. Keep touching the frame to prevent static build-up. Be sure not to touch any electrically live parts at the same time.

- Tools which come in contact with the P.C. Board must be either conductive, anti-static or static-dissipative.

- Remove the P.C. Board from the static-shielding bag and place it directly into the equipment. Don't set the P.C. Board on or near paper, plastic or cloth which could have a static charge. If the P.C. Board can't be installed immediately, put it back in the static-shielding bag.

- If the P.C. Board uses protective shorting jumpers, don't remove them until installation is complete.

- If you return a P.C. Board to The Lincoln Electric Company for credit, it must be in the static-shielding bag. This will prevent further damage and allow proper failure analysis.

4. Test the machine to determine if the failure symptom has been corrected by the replacement PC board.

NOTE: It is desirable to have a spare (known good) PC board available for PC board troubleshooting.

NOTE: Allow the machine to heat up so that all electrical components can reach their operating temperature.

5. Remove the replacement PC board and substitute it with the original PC board to recreate the original problem.

a. If the original problem does not reappear by substituting the original board, then the PC board was not the problem. Continue to look for bad connections in the control wiring harness, junction blocks, and terminal strips.

b. If the original problem is recreated by the substitution of the original board, then the PC board was the problem. Reinstall the replacement PC board and test the machine.

6. Always indicate that this procedure was followed when warranty reports are to be submitted.

NOTE: Following this procedure and writing on the warranty report, "INSTALLED AND SWITCHED PC BOARDS TO VERIFY PROBLEM," will help avoid denial of legitimate PC board warranty claims.

WIRE-MATIC 255



TROUBLESHOOTING GUIDE - Observe all Safety Guidelines detailed throughout this manual

PROBLEMS (SYMPTOMS)	POSSIBLE AREAS OF MISADJUSTMENTS(S)	RECOMMENDED COURSE OF ACTION
OUTPUT PROBLEMS		
Major Physical or Electrical Damage is Evident	1. Contact your local Lincoln Electric Authorized Field Service Facility.	1. Contact The Lincoln Electric Service Dept. (216) 383-2531 or 1-800-833-9353 (WELD)
Machine is dead- No Open Circuit Voltage output and No Wire Feed when gun trigger is pulled.	<ol style="list-style-type: none"> 1. Make certain that the input power switch is in the "ON" position. 2. Check the input voltage at the machine. Input voltage must match the rating plate and the reconnect panel. 3. Blown or missing fuses in the input line. 4. The thermostats may be open due to machine overheating. If machine operates normally after a cooling off period then check for proper fan operation and ventilation. Make certain that the machine's duty cycle is not being exceeded. 5. Check the trigger circuit. Leads #324 to #325 should have continuity (zero ohms) when the gun trigger is pulled. If not then the gun may be faulty - replace. 	<ol style="list-style-type: none"> 1. Check input power switch (S1). It may be faulty. 2. Check for lose or broken wires at the reconnect panel. 3. Perform Main Transformer Test. 4. Check the thermostats and associated leads for loose or broken connections. See wiring diagram. 5. The control board may be faulty. Replace.

⚠ CAUTION

If for any reason you do not understand the test procedures or are unable to perform the tests/repairs safely, contact the Lincoln Electric Service Department for technical troubleshooting assistance before you proceed call 216-383-2531 or 1-800-833-9353

WIRE-MATIC 255



Return to Section TOC
Return to Section TOC
Return to Section TOC
Return to Section TOC
Return to Master TOC
Return to Master TOC
Return to Master TOC
Return to Master TOC

TROUBLESHOOTING GUIDE - Observe all Safety Guidelines detailed throughout this manual

PROBLEMS (SYMPTOMS)	POSSIBLE AREAS OF MISADJUSTMENTS(S)	RECOMMENDED COURSE OF ACTION
OUTPUT PROBLEMS		
No Open Circuit Voltage output but wire feeds normally when gun trigger is pulled.	<ol style="list-style-type: none"> 1. Check the input voltage at the machine. Input voltage must match the rating plate and the reconnect panel. 2. The gun may be faulty. Check or replace. 	<ol style="list-style-type: none"> 1. Check for loose or broken connections at the output terminals, the choke, the capacitor bank and all heavy current carrying leads. 2. Make sure that the transformer secondary leads are securely connected to the SCR Rectifier Assembly. 3. Perform the SCR Rectifier Assembly Test. 4. The control board may be faulty - Replace.
Wire feeds but welding output is low causing wire to "stub". Welds are "cold". Machine cannot obtain full rated output of 200 amps at 28 volts.	<ol style="list-style-type: none"> 1. Make sure that the proper wire and procedures are being used. 2. Check gun and work cable for loose or faulty connections. 	<ol style="list-style-type: none"> 1. Check for loose or faulty connections of the heavy current carrying leads. 2. The output capacitor bank may be faulty. Check for loose connections at the capacitors. Also check for leaky capacitors. Replace if necessary. WARNING: The liquid electrolyte in these capacitors is toxic. Avoid contact with any portion of your body. 3. Perform the SCR Rectifier Assembly Test. 4. Perform the Main Transformer Test. 5. The control board may be faulty. Replace.

⚠ CAUTION

If for any reason you do not understand the test procedures or are unable to perform the tests/repairs safely, contact the Lincoln Electric Service Department for technical troubleshooting assistance before you proceed call 216-383-2531 or 1-800-833-9353

WIRE-MATIC 255



TROUBLESHOOTING GUIDE - Observe all Safety Guidelines detailed throughout this manual

PROBLEMS (SYMPTOMS)	POSSIBLE AREAS OF MISADJUSTMENTS(S)	RECOMMENDED COURSE OF ACTION
OUTPUT PROBLEMS		
<p>The output voltage and wire feed is present continuously or pulsing when gun trigger is NOT activated.</p>	<ol style="list-style-type: none"> 1. Remove the gun. If the problem is resolved the gun trigger circuit is faulty. Repair or replace. 2. If the problem is not resolved then contact your Local Lincoln Electric Authorized Field Service Facility. 	<ol style="list-style-type: none"> 1. Check the machine's internal trigger leads for grounds or shorts. See Wiring Diagram. 2. The control board may be faulty. Replace.

⚠ CAUTION

If for any reason you do not understand the test procedures or are unable to perform the tests/repairs safely, contact the Lincoln Electric Service Department for technical troubleshooting assistance before you proceed call 216-383-2531 or 1-800-833-9353

WIRE-MATIC 255



TROUBLESHOOTING GUIDE - Observe all Safety Guidelines detailed throughout this manual

PROBLEMS (SYMPTOMS)	POSSIBLE AREAS OF MISADJUSTMENTS(S)	RECOMMENDED COURSE OF ACTION
FUNCTION PROBLEMS		
No control of arc voltage. Wire feeding is normal.	<ol style="list-style-type: none"> 1. The Arc Voltage Control potentiometer may be dirty. Rotate several times and check if problem is resolved. 	<ol style="list-style-type: none"> 1. The Arc Voltage Control potentiometer may be faulty. Check or replace. See Wiring Diagram. 2. Perform the SCR Rectifier Assembly Test. 3. The control board may be faulty. Replace.
There is no gas flow when gun trigger is pulled. Wire feeds and weld voltage is present.	<ol style="list-style-type: none"> 1. Check gas source and hoses for leaks or kinks. 2. If Spool Gun adaptor is <u>not</u> installed make certain jumper plug is installed in plug J20. See Wiring Diagram. 	<ol style="list-style-type: none"> 1. Check the gas solenoid by disconnecting it from the control board (Plug J8) and applying a 12 VDC external supply to the gas solenoid. If the solenoid does NOT activate then it may be faulty. Replace. 2. The control board may be faulty. Replace.
The machine stops feeding wire while welding.	<ol style="list-style-type: none"> 1. Check for mechanical restrictions in the wire feeding path. The gun may be clogged. 	<ol style="list-style-type: none"> 1. Check the motor armature current. Normal armature current is 1.75 amps maximum. If the motor armature current is normal the control board may be faulty. Replace. 2. If the motor armature current is high (2 to 2.5 amps) and there are NO restrictions in the wire feeding path then the motor or gear box may be defective. Replace.

⚠ CAUTION

If for any reason you do not understand the test procedures or are unable to perform the tests/repairs safely, contact the Lincoln Electric Service Department for technical troubleshooting assistance before you proceed call 216-383-2531 or 1-800-833-9353

WIRE-MATIC 255



TROUBLESHOOTING GUIDE - Observe all Safety Guidelines detailed throughout this manual

PROBLEMS (SYMPTOMS)	POSSIBLE AREAS OF MISADJUSTMENTS(S)	RECOMMENDED COURSE OF ACTION
WIRE FEEDING PROBLEMS		
No control of wire feed speed. Other machine functions are normal.	1. The wire feed speed control may be dirty. Rotate several times and check if problem is resolved.	1. The Wire Speed Control potentiometer may be faulty. Check or replace. See Wiring Diagram. 2. Perform the Wire Drive Motor and Tach Feedback test . 3. The control board may be faulty. Replace.
There is no wire feed when gun trigger is pulled. Normal open circuit voltage is present.	1. If the drive rolls are turning then check for a mechanical restriction in the wire feed path. 2. The gun liner may be clogged. Check or Replace. 3. If the drive rolls are NOT turning when the gun trigger is pulled then contact your local Lincoln Electric Authorized Field Service Facility.	1. Perform the Wire Drive Motor and Tach Feedback Test . 2. The Wire Feed Control potentiometer may be faulty. Check or replace. See Wiring Diagram. 3. The control board may be faulty. Replace.

⚠ CAUTION

If for any reason you do not understand the test procedures or are unable to perform the tests/repairs safely, contact the Lincoln Electric Service Department for technical troubleshooting assistance before you proceed call 216-383-2531 or 1-800-833-9353

WIRE-MATIC 255



TROUBLESHOOTING GUIDE - Observe all Safety Guidelines detailed throughout this manual

PROBLEMS (SYMPTOMS)	POSSIBLE AREAS OF MISADJUSTMENTS(S)	RECOMMENDED COURSE OF ACTION
WELDING PROBLEMS		
The arc is unstable and or "hunting".	<ol style="list-style-type: none"> 1. Check for worn or melted contact tip. 2. Check for loose or faulty connections on the work and electrode cables. 3. Make sure electrode polarity is correct or welding process being used. 4. Check for rusty or dirty wire. 5. Make sure machine settings and gas are correct for process being used. 	<ol style="list-style-type: none"> 1. Check for loose connections at the output terminals, the choke, the capacitor bank and all heavy current carrying leads. 2. Make sure that the transformer secondary leads are securely connected to the SCR Rectifier Assembly. 3. The output capacitor bank may be faulty. Check for loose connections at the capacitors. Also check for leaky capacitors. Replace if necessary. WARNING: The liquid electrolyte in these capacitors is toxic. Avoid contact with any portion of your body. 4. The control board may be faulty. Replace
Weld bead is narrow or ropy. May have porosity with electrode stubbing into plate.	<ol style="list-style-type: none"> 1. Make sure the weld procedure and electrode polarity is correct for the process being used. 2. Make sure shielding gas is correct and flow is proper. 3. Make sure the weld joint is not "contaminated". 	<ol style="list-style-type: none"> 1. The output capacitor bank may be faulty. Check for loose connections at the capacitors. Also check for leaky capacitors. Replace if necessary. WARNING: The liquid electrolyte in these capacitors is toxic. Avoid contact with any portion of your body. 2. The control board may be faulty. Replace.
The contact tip seizes in the gas diffuser.	<ol style="list-style-type: none"> 1. The tip being over heated due to excessive current and/or high duty cycle welding. 2. A light application of high temperature antisieze lubricant (such as Lincoln E2607 Graphite Grease) may be applied to the contact tip threads. 	

⚠ CAUTION

If for any reason you do not understand the test procedures or are unable to perform the tests/repairs safely, contact the Lincoln Electric Service Department for technical troubleshooting assistance before you proceed call 216-383-2531 or 1-800-833-9353

WIRE-MATIC 255



TROUBLESHOOTING GUIDE - Observe all Safety Guidelines detailed throughout this manual

PROBLEMS (SYMPTOMS)	POSSIBLE AREAS OF MISADJUSTMENTS(S)	RECOMMENDED COURSE OF ACTION
WELDING PROBLEMS		
The welding arc is variable and sluggish.	<ol style="list-style-type: none"> 1. Check the welding cable connections for loose or faulty connections. 2. Make sure the wire feed speed, voltage, and shielding gas are correct for the process being used. 	<ol style="list-style-type: none"> 1. Perform the Output Rectifier Bridge Test. 2. The control board may be faulty. Replace.
The arc striking is poor.	<ol style="list-style-type: none"> 1. Check the welding cable connections for loose or faulty connections. 2. Make sure the wire feed speed, voltage, and shielding gas are correct for the process being used. 	<ol style="list-style-type: none"> 1. The control board may be faulty. Replace.

⚠ CAUTION

If for any reason you do not understand the test procedures or are unable to perform the tests/repairs safely, contact the Lincoln Electric Service Department for technical troubleshooting assistance before you proceed call 216-383-2531 or 1-800-833-9353

WIRE-MATIC 255



MAIN TRANSFORMER TEST

WARNING

Service and repair should be performed only by Lincoln Electric factory trained personnel. Unauthorized repairs performed on this equipment could result in danger to the technician or the machine operator and will invalidate your factory warranty. For your safety and to avoid electrical shock, please observe all safety notes and precautions detailed throughout this manual.

If for any reason you do not understand the test procedures or are unable to perform the tests/repairs safely, contact the Lincoln Electric service department for technical troubleshooting assistance before you proceed. Call (216) 383-2531 or (800) 833-9353 (WELD).

TEST DESCRIPTION

This test will determine if the correct voltages are being:

- a. Applied to the primary windings of the Main Transformer.
- b. Induced on the secondary and auxiliary windings of the main transformer.

MATERIALS NEEDED

5/16" Nut Driver.
Volt-Ohm Meter.

WIRE-MATIC 255



MAIN TRANSFORMER TEST

TEST PROCEDURE

⚠ WARNING

The ON/OFF POWER SWITCH will be "hot" during these tests.

NOTE: Secondary voltages will vary proportionably with the primary input voltage.

1. Disconnect the main input power supply to the machine.
2. Remove the Case Top and Side Panels with a 5/16" nut driver.
3. Locate Plug J3 and Plug J6 on the G2803 Control PC Board.

NOTE: The location of Plugs may vary depending on the machine code.

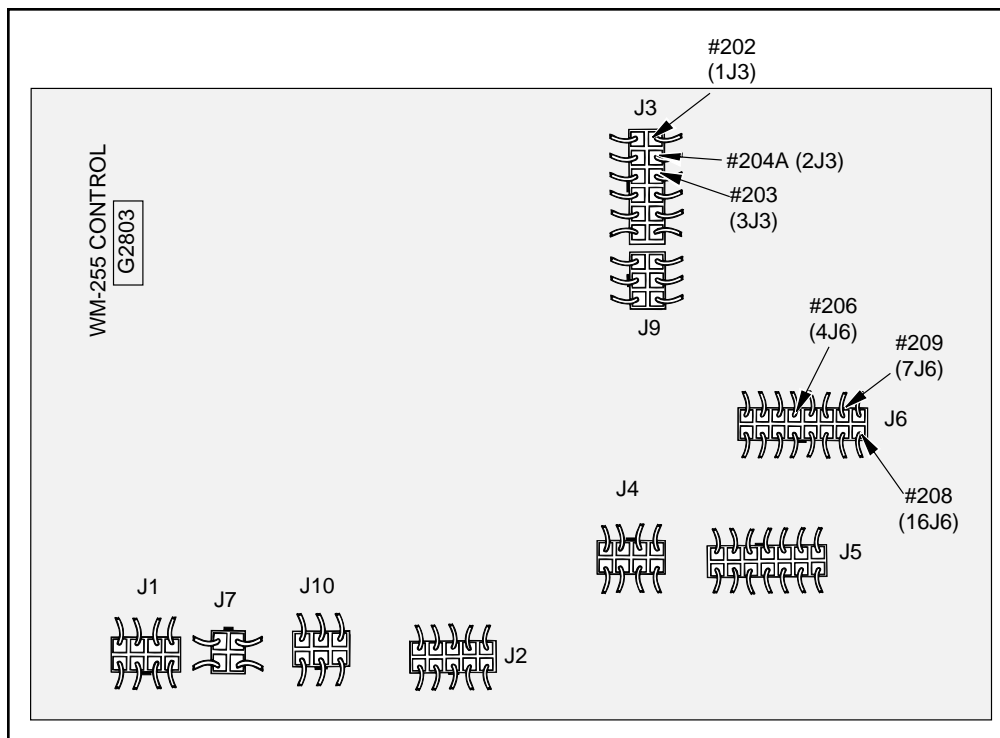


FIGURE F.1 - G2803 Control PC Board Main Transformer Test Points.

MAIN TRANSFORMER TEST (CONTINUED)

- 4. Locate the following leads on Plug J3:
G2803:

LEAD	PLUG LOCATION
#202	1J3
#203	3J3
#204 A	2J3

- 5. Connect main input power to the machine.
- 6. Turn the Wire-Matic 255 ON/OFF POWER SWITCH to ON.
- 7. Make the following voltage tests at Plug J3.
 - a. Turn the machine OFF between each test.
 - b. Carefully insert the meter probes into the back of each Molex Plug pin cavity to perform the test.

G2803:

FROM LEAD	TO LEAD	EXPECTED VOLTAGE
#202 (1J3)	#203 (3J3)	30 VAC
#202 (1J3)	#204 A (2J3)	15 VAC
#203 (3J3)	#204 A (2J3)	15 VAC

- 8. Turn OFF the machine
- 9. Locate the following leads on Plug J6 on the G2803 Control PC Board.
G2803:

LEAD	PLUG LOCATION
#206	4J6
#208	16J6
#209	7J6

- 10. Turn ON the machine.
- 11. Make the following voltage tests at Plug J6 on the G2803 Control PC

Board.

- a. Turn the machine OFF between each test.
- b. Carefully insert the meter probes into the back of each Molex Plug pin cavity to perform the test.
G2803:

FROM LEAD	TO LEAD	EXPECTED VOLTAGE
#208 (16J6)	#209 (7J6)	60 VAC
#208 (16J6)	#206 (4J6)	30 VAC
#209 (7J6)	#206 (4J6)	30 VAC

- c. If any of the voltages tested are incorrect, check for loose or broken leads between the test points and the main transformer.
- d. If ALL the voltages tested are incorrect or missing, go to Step 12.
- 12. Test for correct nameplate input voltage between the H1 lead at the ON/OFF POWER SWITCH to H2 or H3 (H5 if connected for 575 VAC) at the reconnect panel. Voltage tested will vary depending on Input Voltage Connection. See wiring diagram for test point locations.
 - a. If the voltage test is incorrect,
 - check for loose or broken leads between the reconnect panel and the ON/OFF POWER SWITCH.
 - test the ON/OFF POWER SWITCH for proper operation.
 - b. If the correct nameplate voltage is being applied to the main transformer and one or more of the secondary voltages are missing or are incorrect, the main transformer may be faulty. Replace.

Return to Section TOC Return to Master TOC

STATIC SCR RECTIFIER ASSEMBLY TEST

WARNING

Service and repair should be performed only by Lincoln Electric factory trained personnel. Unauthorized repairs performed on this equipment could result in danger to the technician or the machine operator and will invalidate your factory warranty. For your safety and to avoid electrical shock, please observe all safety notes and precautions detailed throughout this manual.

If for any reason you do not understand the test procedures or are unable to perform the tests/repairs safely, contact the Lincoln Electric service department for technical troubleshooting assistance before you proceed.
Call (216) 383-2531 or (800) 833-9353 (WELD).

TEST DESCRIPTION

This test is used to quickly determine if an SCR or diode is shorted or "leaky." See the Machine Waveform Section in this manual for normal and abnormal output waveforms.

MATERIALS NEEDED

Analog Ohmmeter (Multimeter).
Wire-Matic 255 wiring diagrams (See Electrical Diagrams Section of this Manual).
5/16" Nut Driver.
1/2" Open end or socket wrench.

WIRE-MATIC 255



STATIC SCR RECTIFIER ASSEMBLY TEST (CONTINUED)

TEST PROCEDURE

1. Disconnect main AC input power to the machine.
2. Disconnect Plugs J3 and J6 from the G2803 Control Board. This electrically isolates the SCR bridge assembly. See Figure F.2.

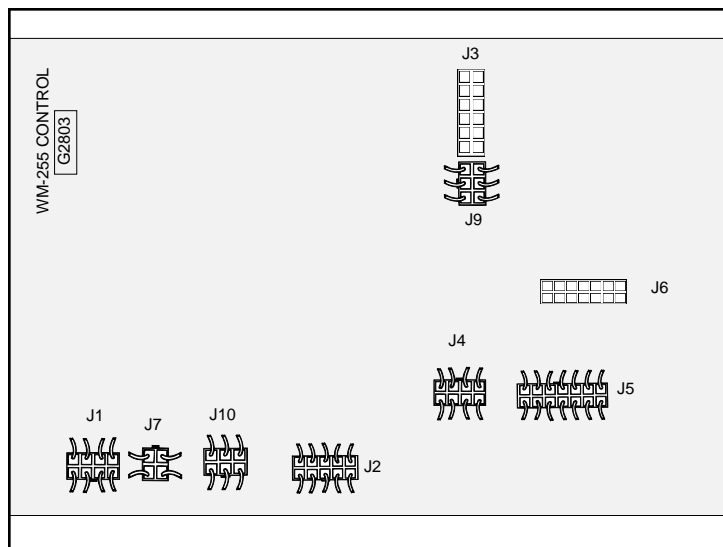


FIGURE F.2 - Remove Plugs J3 and J6 to Perform Static SCR Rectifier Assembly Test.

3. Verify that the capacitors have completely discharged with an Analog Volt-Ohm meter.
4. Disconnect leads X2 and X3 from the negative capacitor bank using a 1/2" open end wrench. See Figure F.3.

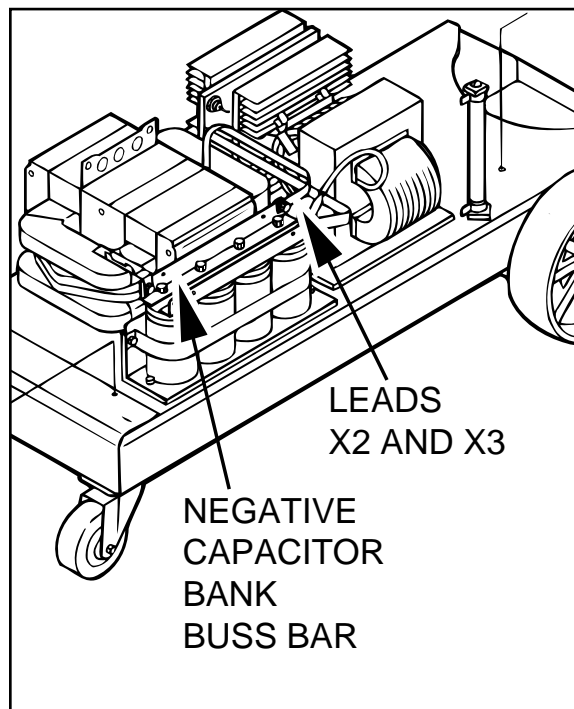


FIGURE F.3 - Location of Leads X2 and X3.

5. Separate leads X2 and X3 from the negative capacitor bank buss bar. Be sure there is no electrical contact. See Figure F.3.

STATIC SCR RECTIFIER ASSEMBLY TEST (CONTINUED)

NOTE: DO NOT DISASSEMBLE THE SCR RECTIFIER HEAT SINK ASSEMBLY.

6. Test for high or infinite resistance from the anode to the cathode of SCR 1. See Figure F.4. Use an analog ohmmeter (Multimeter).

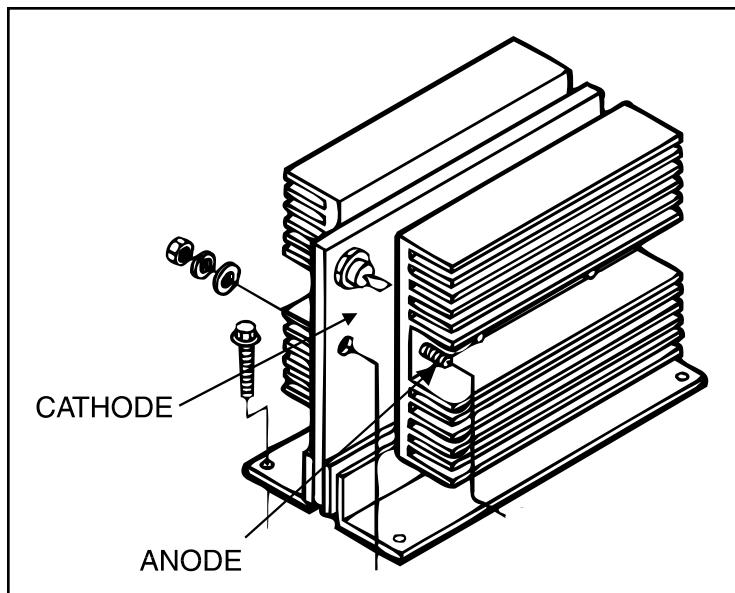


FIGURE F.4 - SCR 1 Test Points.

7. Test for high or infinite resistance from the cathode to the anode of SCR 1 by reversing the meter leads. See Figure F.4.
 - a. If a high or infinite resistance is indicated for both tests 6 and 7, the SCR 1 is not "shorted".
 - b. If a low resistance is indicated in either tests 6 or 7, the SCR is faulty. Replace SCR Assembly.
8. Repeat Steps #7 to test SCR 2.
9. Reconnect leads X2 and X3.
10. Reconnect Plugs J3 and J6.
11. If this test did not identify the problem or to further test the SCR, go to the Active SCR Test.

ACTIVE SCR RECTIFIER ASSEMBLY TEST

WARNING

Service and repair should be performed only by Lincoln Electric factory trained personnel. Unauthorized repairs performed on this equipment could result in danger to the technician or the machine operator and will invalidate your factory warranty. For your safety and to avoid electrical shock, please observe all safety notes and precautions detailed throughout this manual.

If for any reason you do not understand the test procedures or are unable to perform the tests/repairs safely, contact the Lincoln Electric service department for technical troubleshooting assistance before you proceed. Call (216) 383-2531 or (800) 833-9353 (WELD).

TEST DESCRIPTION

The Active SCR Test will determine if the device is able to be gated ON and conduct current from anode to cathode.

MATERIALS NEEDED

An SCR Tester as specified in this procedure.
Wire-Matic 255 wiring diagrams (See Electrical Diagrams Section of this Manual).
SCR Heat Sink Assembly Drawings.

WIRE-MATIC 255



ACTIVE SCR RECTIFIER ASSEMBLY TEST (CONTINUED)

TEST PROCEDURE

1. Disconnect main AC input power to the machine.
2. Disconnect Molex Plugs J3 and J6 from the G2803 Control Board. See Figure F.5.

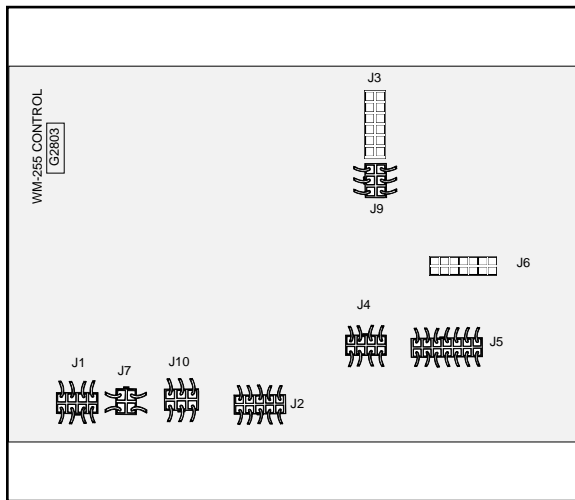


FIGURE F.5 - Control Board Molex Plug Locations for G2803 PC Control Board.

3. Verify that the capacitors have completely discharged with an Analog Volt-Ohm meter.
4. Disconnect leads X2 and X3 from the negative capacitor bank using a 1/2" open end wrench. See Figure F. 6.

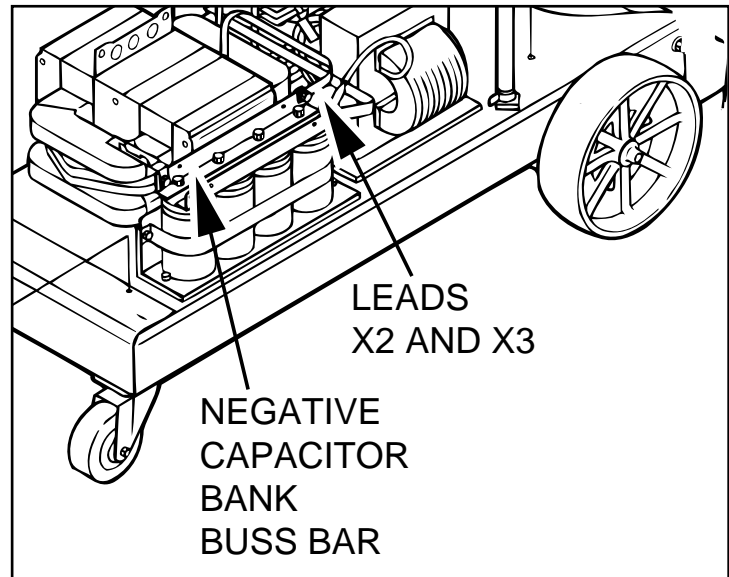


FIGURE F.6 - Location of Leads X2 and X3.

5. Separate leads X2 and X3 from the negative capacitor bank buss bar. Be sure there is no electrical contact. See Figure F.6.

NOTE: DO NOT DISASSEMBLE THE SCR RECTIFIER HEAT SINK ASSEMBLY.

6. Construct the circuit shown in Figure F.7. One 6-volt lantern battery can be used. R1 and R2 resistor values are $\pm 10\%$. Set voltmeter scale low, at approximately 0-5 volts or 5-10 volts.
 - a. Test the voltage level of the battery. Short leads (A) and (C). Close switch SW-1. Battery voltage should be 4.5 volts or higher. If lower, replace the battery.

ACTIVE SCR RECTIFIER ASSEMBLY TEST (CONTINUED)

7. Connect the Tester to the SCR 1 as shown in Figure F.7.
 - a. Connect Tester lead (A) to the anode.
 - b. Connect Tester lead (C) to the cathode.
 - c. Connect Tester lead (G) to the gate.
10. Close or keep closed switch SW-1.
11. Close switch SW-2 for 2 seconds and release and read meter.
 - a. If the voltage is 3 - 6 volts while the switch is closed and after the switch is open, the SCR is functioning.
 - b. If the voltages is 3-6 volts only when the switch is closed or there is no voltage when the switch is closed, the SCR is defective.

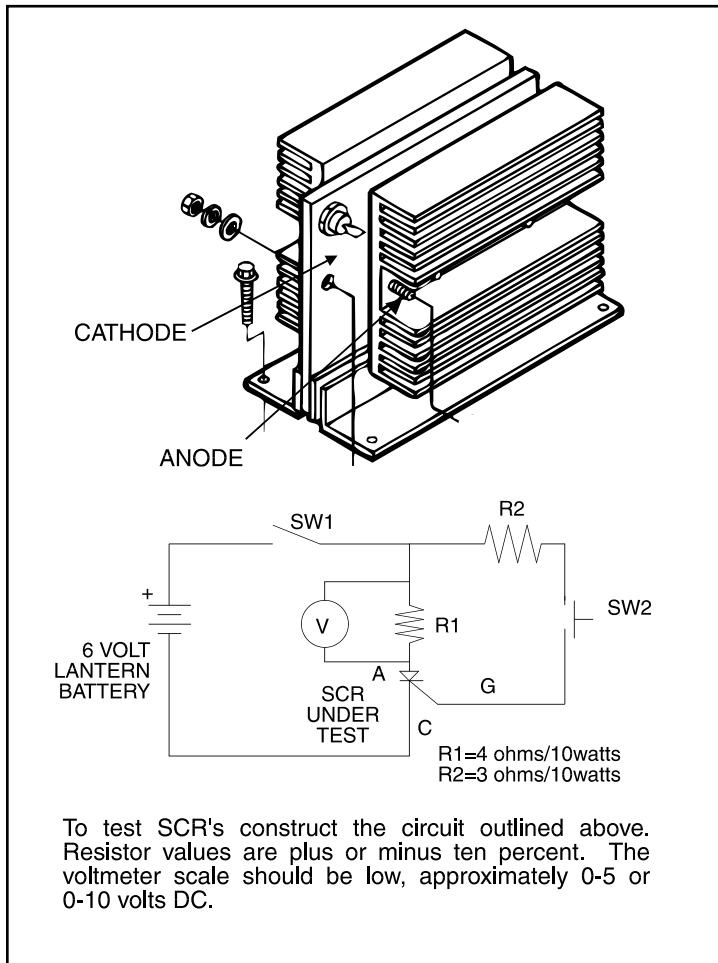


FIGURE F.7 - SCR Tester Circuit and SCR connections.

8. Close switch SW-1.
- NOTE: Switch SW-2 should be open.
9. Read meter for zero voltage.
 - a. If the voltage reading is higher than zero, the SCR is shorted.
12. Open switch SW-1.
13. Reconnect the Tester leads. See Figure F.7.
 - a. Connect Tester lead (A) to the cathode.
 - b. Connect Tester lead (C) to the anode.
 - c. Disconnect Test lead (G) from the gate.
14. Close switch SW-1.
15. Read meter for zero voltage.
 - a. If the voltage is zero, the SCR is functioning.
 - b. If the voltage is higher than zero, the SCR is shorted.
16. Perform the Active Test Procedure outlined in Steps 5-13 for SCR 2.
17. Replace all SCR assemblies that do not pass the above tests.
18. Replace all Molex Plugs onto the Control Board and connect leads X2 and X3.

WIRE-MATIC 255



WIRE DRIVE MOTOR AND TACHOMETER FEEDBACK TEST

WARNING

Service and repair should be performed only by Lincoln Electric factory trained personnel. Unauthorized repairs performed on this equipment could result in danger to the technician or the machine operator and will invalidate your factory warranty. For your safety and to avoid electrical shock, please observe all safety notes and precautions detailed throughout this manual.

If for any reason you do not understand the test procedures or are unable to perform the tests/repairs safely, contact the Lincoln Electric service department for technical troubleshooting assistance before you proceed. Call (216) 383-2531 or (800) 833-9353 (WELD).

TEST DESCRIPTION

This test will determine if the wire drive motor and voltage feedback circuit are functioning properly.

MATERIALS NEEDED

5/16" Nut Driver.
Volt-Ohmmeter.

WIRE-MATIC 255



WIRE DRIVE MOTOR AND TACHOMETER FEEDBACK TEST (CONTINUED)

TEST PROCEDURE

NOTE: POLARITY MUST BE OBSERVED FOR THESE TESTS.

Test for Correct Wire Drive Motor Armature Voltage

1. Disconnect main input power to the machine.
2. Remove the Case Top and Side Panels using a 5/16" nut driver.
3. Locate Plug J5 on the G2803 Control Board. See Figure F.8.

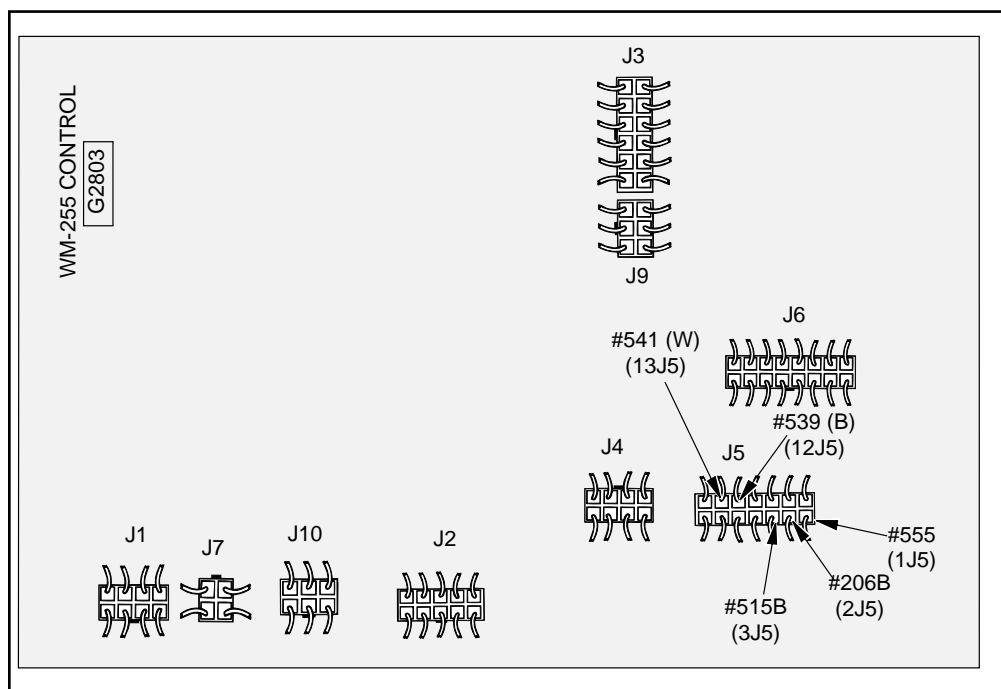


FIGURE F.8 - Plug J5 Location on G2803 PC Control Board.

WIRE DRIVE MOTOR AND TACHOMETER FEEDBACK TEST (CONTINUED)

4. Test for 2 - 25 VDC between lead plug location 12J5 #539(B) (positive) (12J5) and lead #541(W) (13J5) (negative) to determine if the correct armature voltage is being supplied. See Figure F.8.
 - a. Insert probes in to the Molex pin cavities.
 5. Pull the gun trigger.
 6. Read meter. Normal DC volts is from 2 - 25 VDC. VDC varies depending on wire feed speed.
 - a. If voltage to the wire drive motor armature is zero, check the wires between Plug J5 and the wire drive motor. (Check J11, J12, and J15). See Wiring Diagram.
 - b. If the wires are okay and voltage to the drive motor armature is zero, the Control Board may be faulty. Replace.
 - c. If the correct DC armature voltage is present at the wire drive motor, the motor or motor brushes may be faulty. Test and/or replace.
 - d. If the motor is running at high speed and the armature voltage is high and uncontrollable, proceed with the tachometer test.
- a. If the 15 VDC is present, check the leads to the tach circuit.
 - b. If the leads are okay and 15 VDC is present, the correct voltage is being received from the Control Board. Go to Feedback Test.
 - c. If the 15 VDC is not present and the leads are okay, the Control Board may be faulty. Replace.

Test for Feedback Voltage to the Control Board

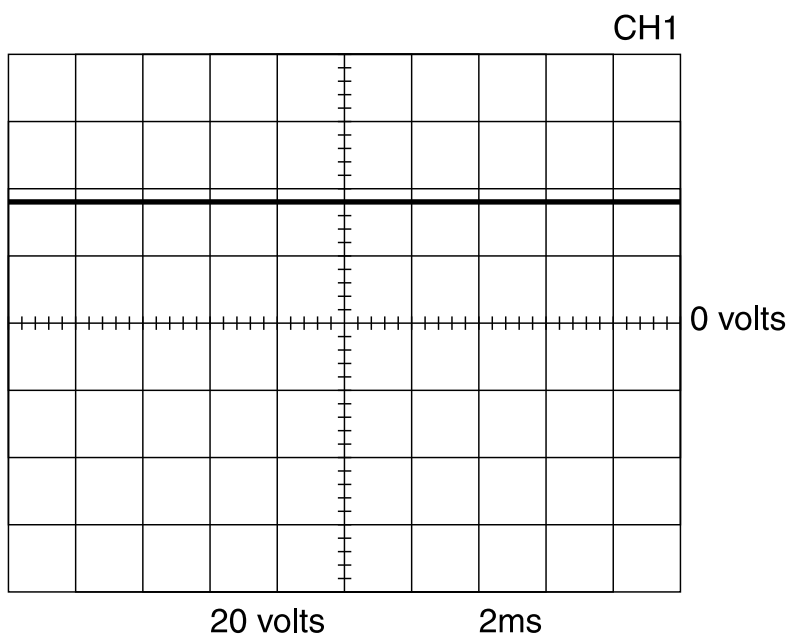
1. Test for 1.5 - 3.5 VDC between lead #555 (positive) (1J5) and lead #206B (negative) (2J5) . See Figure F.8 for pin locations.
 - a. Insert probes into Molex pin cavities.
2. Pull gun trigger.
3. Read meter for 1.5 - 3.5 VDC.
 - a. If the 1.5 - 3.5 VDC is present, the tach circuit is sending the correct feedback signal to the Control Board.

NOTE: IF THE MOTOR IS NOT RUNNING, THE FEEDBACK VOLTAGE MAY BE FROM 0 TO 5 VDC.

Test for Supply Voltage to Tachometer

1. Test for 15 VDC between lead #515B (positive) (3J5) and lead #206B (negative) (2J5) . See Figure F.8 for pin locations.
 - a. Insert probes into Molex pin cavities.
2. Pull gun trigger.
3. Read meter for 15 VDC.
 - b. If the 1.5 - 3.5 VDC is not present or not correct, the Control Board is not receiving the proper feedback voltage from the tach circuit. Check the leads from the tach circuit to the Control Board for loose or broken connections.
 - c. If the leads are okay, the Control Board may be faulty. Replace.

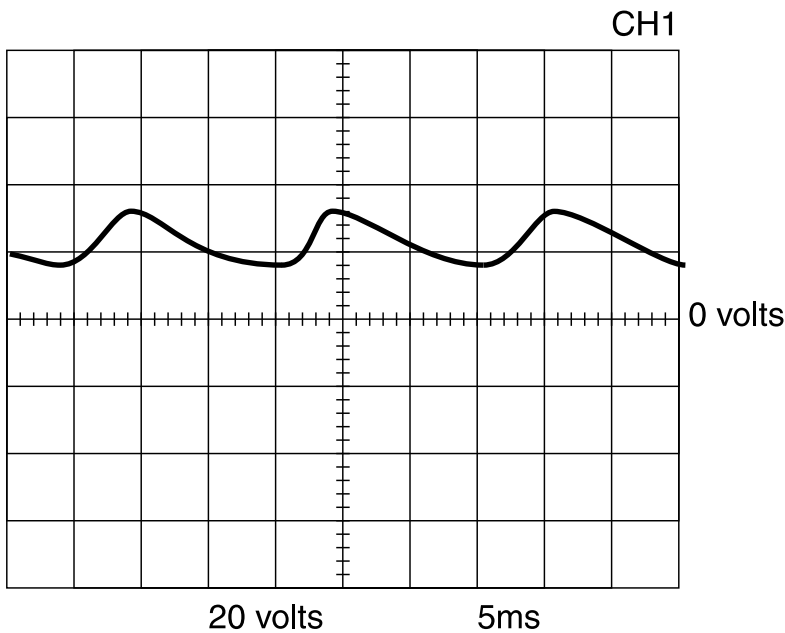
NORMAL OPEN CIRCUIT VOLTAGE WAVEFORM



SCOPE SETTINGS

<p>This is a typical DC output voltage waveform generated from a properly operating machine. Note that each vertical division represents 20 volts and that each horizontal division represents 2 milliseconds in time.</p> <p>Note: Scope probes connected at machine output terminals: (+) probe to electrode, (-) probe to work.</p>	<p>Volts/Div20 V/Div. Horizontal Sweep2 ms/Div. CouplingDC. TriggerInternal.</p>
--	---

**ABNORMAL OUTPUT VOLTAGE WAVEFORM - MACHINE LOADED
ONE OUTPUT SCR NOT FUNCTIONING**



MACHINE LOADED TO 220 AMPS AT 22 VDC

SCOPE SETTINGS

<p>This is NOT a typical DC output voltage waveform. One output SCR is not functioning. Note the increased ripple content. One SCR gate was disconnected to simulate an open or non-functioning output SCR. Each vertical division represents 20 volts and each horizontal division represents 5 milliseconds in time. The machine was loaded with a resistance grid bank.</p> <p>Note: Scope probes connected at machine output terminals: (+) probe to electrode, (-) probe to work.</p>	<p>Volts/Div 20 V/Div.</p> <p>Horizontal Sweep 5 ms/Div.</p> <p>Coupling DC.</p> <p>Trigger Internal.</p>
--	---



Return to Section TOC

Return to Section TOC

Return to Section TOC

Return to Section TOC

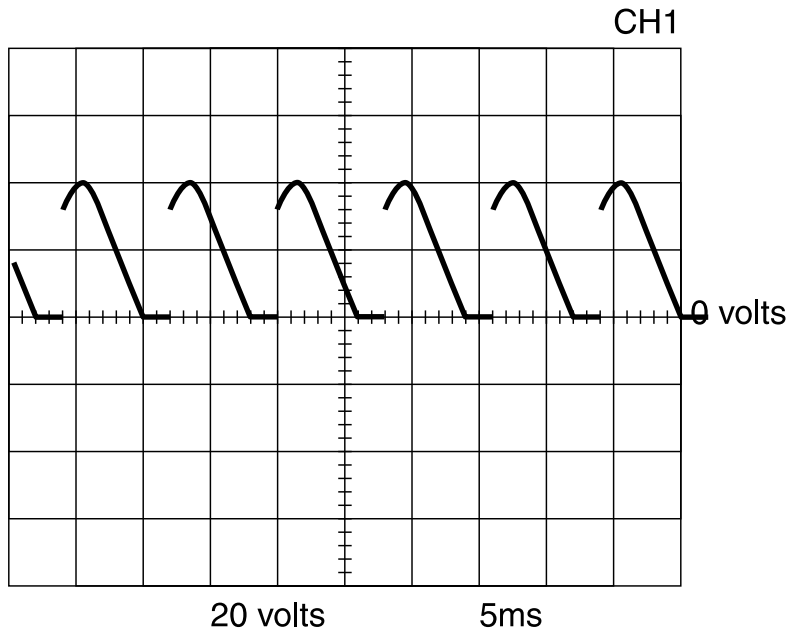
Return to Master TOC

Return to Master TOC

Return to Master TOC

Return to Master TOC

ABNORMAL OPEN CIRCUIT VOLTAGE OUTPUT CAPACITOR BANK NOT FUNCTIONING



SCOPE SETTINGS

<p>This is NOT the typical DC output voltage waveform. The output capacitors are not functioning. Note the lack of "filtering" in the output waveform. The output capacitor bank was disconnected. Each vertical division represents 20 volts and each horizontal division represents 5 milliseconds in time.</p> <p>Note: Scope probes connected at machine output terminals: (+) probe to electrode, (-) probe to work.</p>	Volts/Div20 V/Div.
	Horizontal Sweep5 ms/Div.
	CouplingDC.
	TriggerInternal.

Return to Section TOC
Return to Master TOC

Return to Section TOC
Return to Master TOC

Return to Section TOC
Return to Master TOC

Return to Section TOC
Return to Master TOC

CONTROL PC BOARD REMOVAL AND REPLACEMENT

WARNING

Service and repair should be performed only by Lincoln Electric factory trained personnel. Unauthorized repairs performed on this equipment could result in danger to the technician or the machine operator and will invalidate your factory warranty. For your safety and to avoid electrical shock, please observe all safety notes and precautions detailed throughout this manual.

If for any reason you do not understand the test procedures or are unable to perform the tests/repairs safely, contact the Lincoln Electric service department for technical troubleshooting assistance before you proceed.
Call (216) 383-2531 or (800) 833-9353 (WELD).

CAUTION

Printed Circuit Boards can be damaged by static electricity. Follow static handling guidelines detailed in "PC Board Troubleshooting Procedures" at the beginning of this chapter.

REMOVAL AND REPLACEMENT PROCEDURE

MATERIALS NEEDED

5/16" Nutdriver.
Phillips head screwdriver.
Static electricity grounding strap.

WIRE-MATIC 255



CONTROL PC BOARD REMOVAL AND REPLACEMENT (CONTINUED)

REMOVAL AND REPLACEMENT PROCEDURE

1. Disconnect main input power the machine.
2. Remove the Case Top and Side Panels using 5/16" nut driver.
3. Disconnect all wiring harness plugs and Molex Plugs connected to the Control Board. See Figure F.9.
4. Carefully remove the P.C. Board from the mounting standoffs. See Figure F.10.

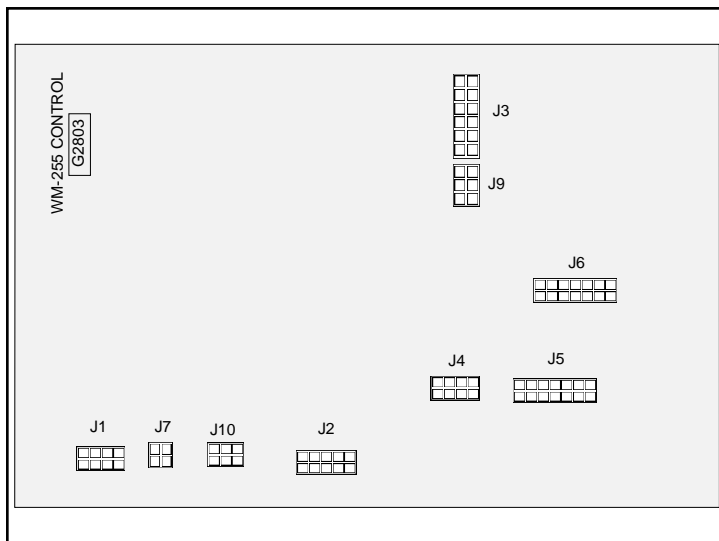


FIGURE F.9 - Wiring Harness and Molex Plug Locations.

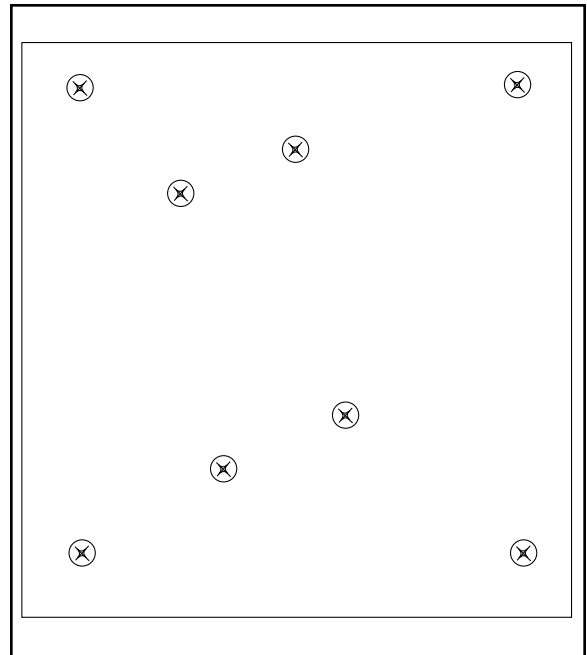


FIGURE F.10 - Control Board Mounting Locations may vary with different Code Machines.

5. Lift the Control Board straight up and out from the machine.
6. When re-installing the Control Board carefully secure Board to mounting standoffs.

WIRE DRIVE ASSEMBLY REMOVAL AND REPLACEMENT

WARNING

Service and repair should be performed only by Lincoln Electric factory trained personnel. Unauthorized repairs performed on this equipment could result in danger to the technician or the machine operator and will invalidate your factory warranty. For your safety and to avoid electrical shock, please observe all safety notes and precautions detailed throughout this manual.

If for any reason you do not understand the test procedures or are unable to perform the tests/repairs safely, contact the Lincoln Electric service department for technical troubleshooting assistance before you proceed.
Call (216) 383-2531 or (800) 833-9353 (WELD).

MATERIALS NEEDED

Large slot head screwdriver.
5/16" Nut Driver.
Small slot head screwdriver.

WIRE-MATIC 255



WIRE DRIVE ASSEMBLY REMOVAL AND REPLACEMENT (CONTINUED)

PROCEDURE

1. Disconnect main input power to the machine.
2. Remove the Case Top and Side Panels.
3. Using the 5/16" Nutdriver remove the gear box top cover.
4. Remove the two sheet metal screws located on the left rear side of the gear box housing using a 5/16" nut-driver.
5. Remove the drive roll. See Figure F.11.
 - a. Remove the thumb screw, drive hub, and the spacer.
6. Remove the screw holding the gun connector assembly to the Case Front Panel. See Figure F.11.
7. Slide the entire wire drive assembly carefully toward the Case Back and approximately 2" (51 mm) away from the center baffle to gain access to the drive motor and wiring.
 - a. The gas hose and gun connector leads will limit the travel distance.
8. Disconnect the drive motor from the drive roll assembly.
 - a. Remove the three large phillips head screws on the outboard side of the drive roll assembly face plate using a phillips head screw driver.
9. Separate the drive roll assembly from the drive motor.
 - a. Grip the drive motor in one hand and the drive assembly in the other hand.
 - b. Wiggle the drive motor and drive assembly gently back and forth until the two parts separate.

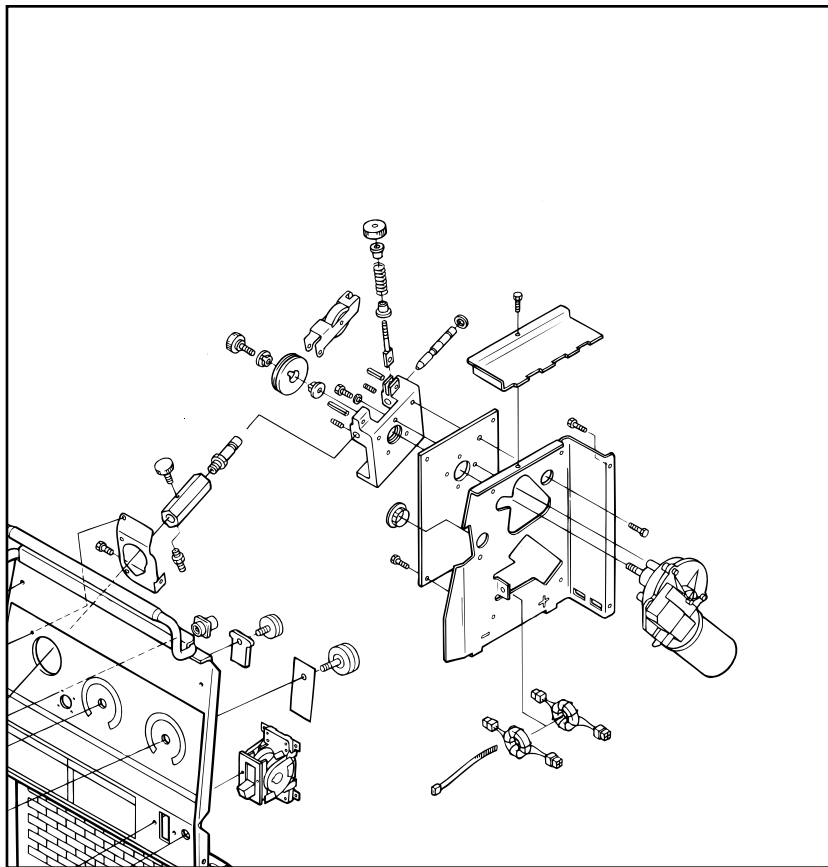


FIGURE F.11 - Wire Drive Assembly Removal

10. Disconnect moxex plugs J15, J12, and J11. See wiring diagram.
11. Remove the drive roll assembly.
 - a. Remove the two screws mounting the drive roll assembly to the insulator board using a 5/16" nut driver.
 - b. Loosen the set screw using a slot head screwdriver that holds the outgoing guide tube into the drive roll assembly.
 - c. Remove the drive assembly by sliding it off the out going guide tube and towards the Case Back at the rear of the machine.

WIRE-MATIC 255



SCR OUTPUT RECTIFIER REMOVAL & REPLACEMENT

WARNING

Service and repair should be performed only by Lincoln Electric factory trained personnel. Unauthorized repairs performed on this equipment could result in danger to the technician or the machine operator and will invalidate your factory warranty. For your safety and to avoid electrical shock, please observe all safety notes and precautions detailed throughout this manual.

If for any reason you do not understand the test procedures or are unable to perform the tests/repairs safely, contact the Lincoln Electric service department for technical troubleshooting assistance before you proceed.
Call (216) 383-2531 or (800) 833-9353 (WELD).

MATERIALS NEEDED

5/16" Nut driver.
1/2" Open end wrench.
1/2" Socket wrench, universal tool, and extension.
3/8" Open end wrench.
Slot head screwdriver.
Wire cutters.

WIRE-MATIC 255



SCR OUTPUT RECTIFIER REMOVAL & REPLACEMENT (CONTINUED)

PROCEDURE

1. Disconnect lead #208 and Transformer Lead X1 from the heat sink on the left side of the machine (facing the front) using a 1/2" socket wrench. See Figure F.12.
 - a. Thin lead is always on the out-board side of the connection.

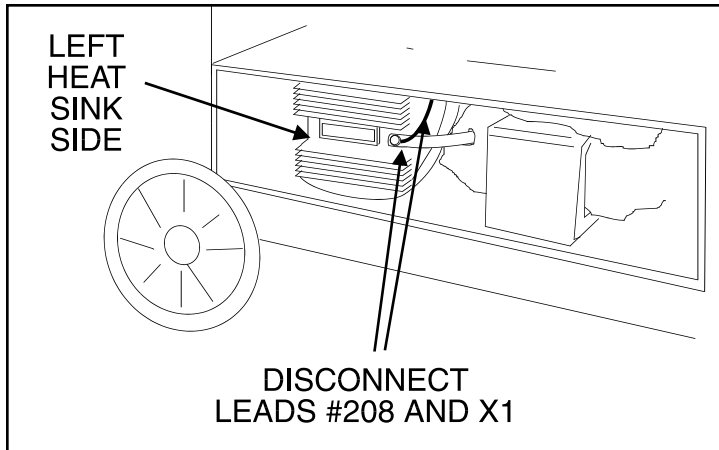


FIGURE F.12 - Heat Sink lead disconnection.

2. Disconnect lead #204 and heavy lead from the middle heat sink with a 1/2" socket wrench and 1/2" open end wrench. See Figure F.13.
3. Remove the diode lead from the negative capacitor band buss bar on the right side of the machine using a slot head screwdriver and 3/8" open end wrench.

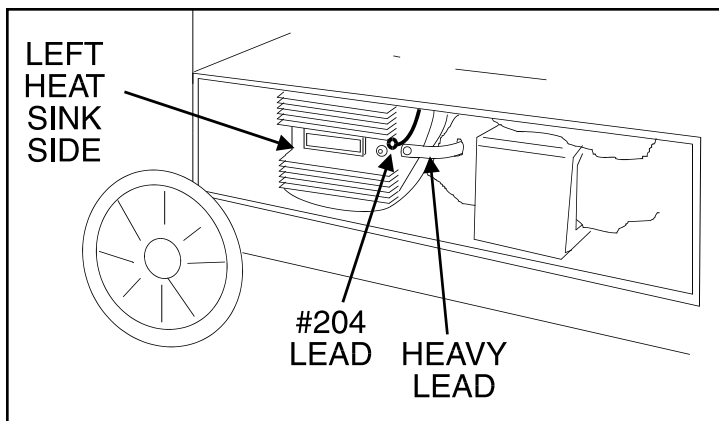


FIGURE F.13 - Heat Sink lead disconnection.

4. Cut the SCR gate leads G1 and G2 (see wire markers and wiring diagram) using wire cutters.
 - a. The easiest access to these leads is from the right side of the machine.
 - b. Cut any necessary cable ties.
5. Remove the four screws holding the SCR Assembly to the floor of the machine using a 5/16" nut driver.
6. Pivot the SCR Assembly counter-clockwise to provide access to the right side heat sink. See Figure F.14.

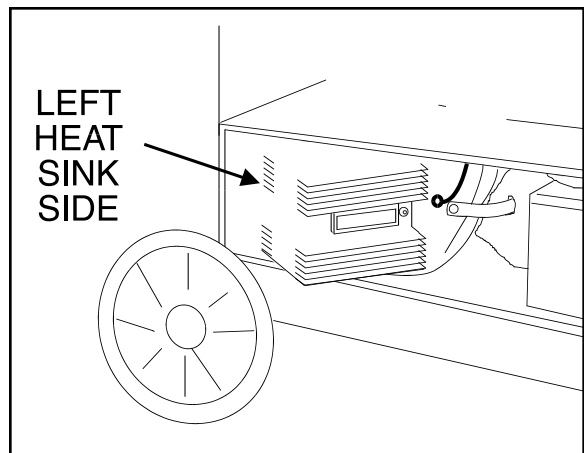


FIGURE F.14 - Heat Sink Lead Disconnection

7. Remove lead #209 and Transformer Lead X4 from the right side heat sink using a 1/2" socket wrench and 1/2" open end wrench.
8. Clear the leads and carefully remove the SCR Rectifier Assembly.

NOTE: When installing the SCR Rectifier Assembly, apply a thin coating of Dow Corning #340 Compound to the electrical connections.

CAPACITOR BANK REMOVAL AND REPLACEMENT

WARNING

Service and repair should be performed only by Lincoln Electric factory trained personnel. Unauthorized repairs performed on this equipment could result in danger to the technician or the machine operator and will invalidate your factory warranty. For your safety and to avoid electrical shock, please observe all safety notes and precautions detailed throughout this manual.

If for any reason you do not understand the test procedures or are unable to perform the tests/repairs safely, contact the Lincoln Electric service department for technical troubleshooting assistance before you proceed.
Call (216) 383-2531 or (800) 833-9353 (WELD).

WARNING

THE LIQUID ELECTRODE IN THE CAPACITORS IS TOXIC. DO NOT TOUCH THE CAPACITORS WITH ANY PART OF YOUR BODY.

MATERIALS NEEDED

5/16" Nut driver.
5/16" Socket wrench, extension, and universal tool.
1/2" Open end wrench.
3/8" Open end wrench.
Slot head screwdriver.
Wiring diagram.

WIRE-MATIC 255



CAPACITOR BANK REMOVAL AND REPLACEMENT (CONTINUED)

PROCEDURE

See Figure F.15 for location of Capacitor Bank Removal and Replacement components.

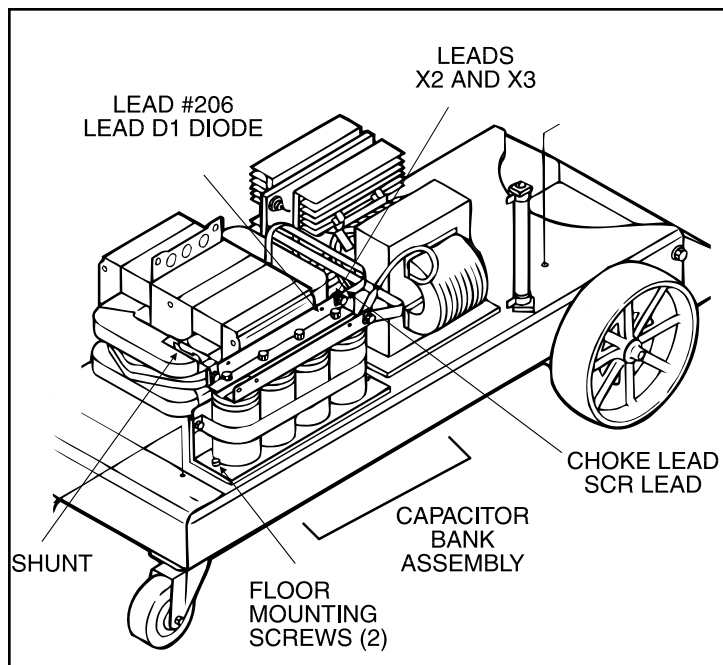


FIGURE F.15 - Location of Capacitor Bank Removal and Replacement Components.

1. Disconnect main input power to the machine.
2. Test that the capacitors are discharged using a volt ohmmeter. Polarity must be observed.
3. Remove the two transformer secondary leads (X2 and X3) for the negative capacitor bank buss bar using two 1/2" open end wrenches.
4. Remove the output choke lead and the heavy lead extending from the SCR Rectifier Assembly to the positive capacitor bank buss bar using a 1/2" open end wrench.
5. Remove lead #206 and the D1 diode lead from the negative capacitor bank buss bar using a slot head screwdriver and 3/8" open end wrench.

6. Remove the #204 lead from the positive buss bar.
7. Remove the shunt from the negative capacitor bank buss bar using a 1/2" socket wrench with a universal tool adapter.
 - a. Two people may be required to remove the shunt. One person may have to reach through from the left side of the machine to keep the bolt in position while the other person loosens the nut.
8. Remove the two screws holding the capacitor bank to the floor of the machine using a 5/16" nut driver.
9. Clear the leads and carefully remove the capacitor bank assembly from the machine.

MAIN TRANSFORMER REMOVAL AND REPLACEMENT

WARNING

Service and repair should be performed only by Lincoln Electric factory trained personnel. Unauthorized repairs performed on this equipment could result in danger to the technician or the machine operator and will invalidate your factory warranty. For your safety and to avoid electrical shock, please observe all safety notes and precautions detailed throughout this manual.

If for any reason you do not understand the test procedures or are unable to perform the tests/repairs safely, contact the Lincoln Electric service department for technical troubleshooting assistance before you proceed.
Call (216) 383-2531 or (800) 833-9353 (WELD).

MATERIALS NEEDED

5/16" Nut Driver.
1/2" Open end wrench.
3/8" Open end wrench.
1/2" Socket wrench, extender, universal adapter.
Wire cutters.

WIRE-MATIC 255



MAIN TRANSFORMER REMOVAL AND REPLACEMENT (CONTINUED)

PROCEDURE

1. Disconnect main input power to the machine.
2. Remove the Case Top and Side Panels.
3. Perform the Capacitor Bank Removal Procedure.
4. Remove lead X1 from the left side SCR heat sink assembly using a 1/2" socket wrench, extender and universal adapter.
5. Remove lead X4 from the right side heat sink assembly using a 1/2" socket wrench, extender and universal adapter.
6. Disconnect all leads from the reconnect panel using a 3/8" open end wrench.
7. Disconnect all leads from the POWER SWITCH.
8. Remove the POWER SWITCH.
9. Label and cut leads #202, #203, #204A.
 - a. Cut lead #204A at a point just in front of the transformer.
 - b. These leads must be re-spliced during reassembly.
 - c. An alternative to cutting these leads is to remove them from Molex Plug J3 and pull them free of any wire bundles.
10. Remove all cable ties, wire mounts, - and any harness tape that could get in the way during transformer removal using wire cutters and screwdriver.
11. Remove the four screws mounting the transformer to the floor of the machine using a 5/16" nut driver.
12. Disconnect the positive output lead at the wire drive motor.
13. Remove the strain relief grommet through which the positive output lead passes through the horizontal baffle of the machine.
14. Pull down on the positive output lead until it slides out the hole in the baffle.
15. Carefully remove the main transformer.
 - a. Be sure all leads are clear.

WIRE-MATIC 255



FAN MOTOR AND FAN REMOVAL AND REPLACEMENT

WARNING

Service and repair should be performed only by Lincoln Electric factory trained personnel. Unauthorized repairs performed on this equipment could result in danger to the technician or the machine operator and will invalidate your factory warranty. For your safety and to avoid electrical shock, please observe all safety notes and precautions detailed throughout this manual.

If for any reason you do not understand the test procedures or are unable to perform the tests/repairs safely, contact the Lincoln Electric service department for technical troubleshooting assistance before you proceed.
Call (216) 383-2531 or (800) 833-9353 (WELD).

MATERIALS NEEDED

3/4" Open end wrench.
1/2" Socket wrench with extension.
Phillips head screwdriver.

WIRE-MATIC 255



FAN MOTOR AND FAN REMOVAL AND REPLACEMENT (CONTINUED)

PROCEDURE

See Figure F.16 for fan motor and fan removal components.

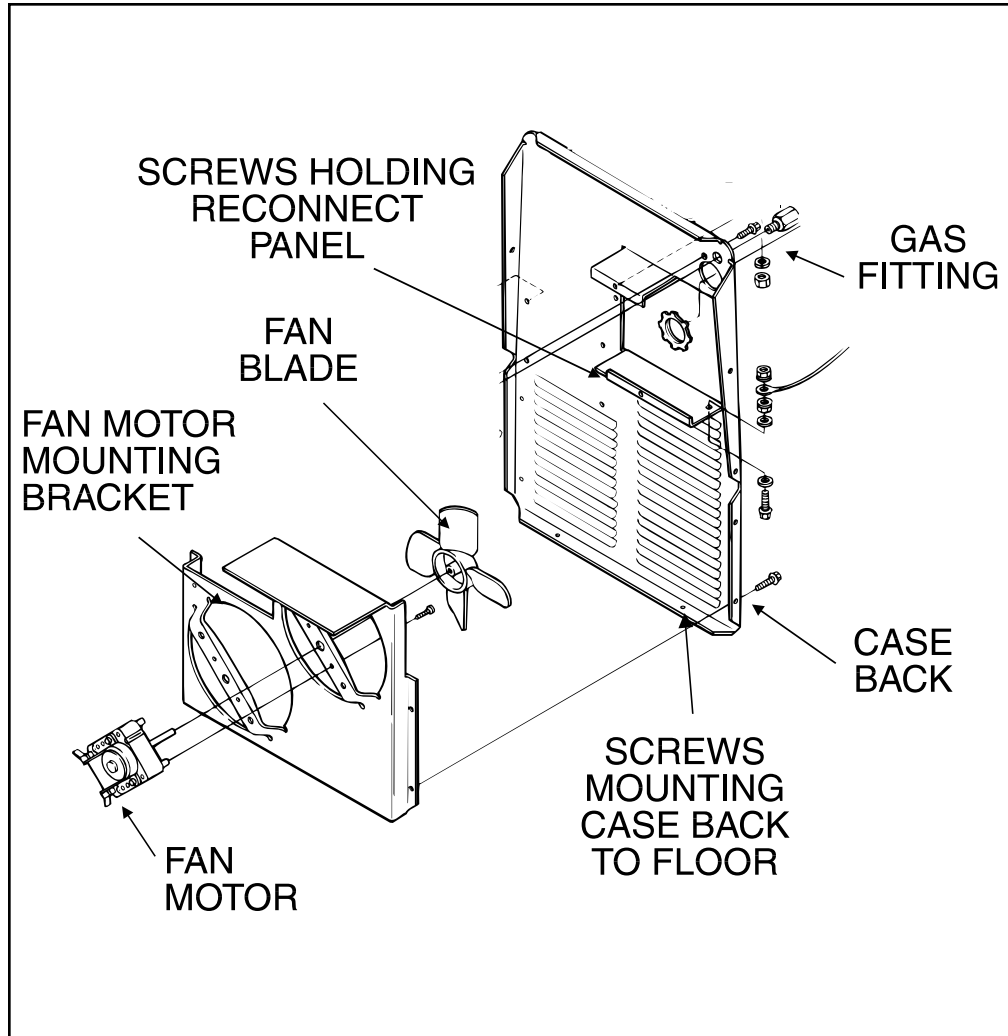


FIGURE F.16 - Fan Motor and Fan Removal Components

1. Remove the Case Back screws.
2. Remove the gas solenoid using a 3/4" open end wrench.
3. Using a 5/16" wrench, remove the 5 screws holding the fan motor mounting bracket to the case back.
4. Tilt the Case Back away from the machine and remove the screws holding the Case Back to the floor of the machine using a 1/2" socket wrench with extension.
5. Loosen the two screws holding the reconnect panel in place and slide the reconnect panel from the frame.
6. Remove the fan blade. Note fan blade position on motor shaft for reference for replacing fan.
 - a. Pry the fan blade off the motor.
 - b. Slide the fan blade off the motor shaft.

WIRE-MATIC 255



FAN MOTOR AND FAN REMOVAL AND REPLACEMENT (CONTINUED)

7. Remove the fan motor.
 - a. Loosen and remove the two screws from the motor mounting bracket using a slot head screw driver.
 - b. When the motor is free from the mounting bracket, place it carefully on the bottom of the machine.
 - c. Cut any necessary wire wraps bundling the motor leads.
 - d. Remove the leads from the fan motor.
8. Install the replacement motor in the reverse order of removal.
9. Install the fan blade. When installing the fan blade, the blade is flush with the end of the motor shaft.
 - a. Spin the fan to be sure it is free to rotate.
10. Reassemble the remaining components in reverse order of removal.

WIRE-MATIC 255

RETEST AFTER REPAIR

INPUT IDLE AMPS AND WATTS

Input Volts/Hertz	Maximum Idle Amps	Maximum Idle Watts
230/60	6.4	375

OPEN CIRCUIT VOLTAGE

10 to 40 VDC	35-40 VDC Strike Voltage
--------------	--------------------------

WIRE SPEED RANGE

50 - 600 IPM (1.27 - 15.2 m/minute)

WIRE-MATIC 255



NOTES

Return to Section TOC

Return to Section TOC

Return to Section TOC

Return to Section TOC

Return to Master TOC

Return to Master TOC

Return to Master TOC

Return to Master TOC

WIRE-MATIC 255



TABLE OF CONTENTS - ELECTRICAL DIAGRAMS SECTION -

Electrical Diagram Section Section G

Wiring Diagram (208/230) Code 10166 G-2
 Wiring Diagram (230/460/575) Code 10167 G-3
 Control PC Board (G2803) Schematic G-4
 Control PC Board (G2803) Layout G-5

Return to Master TOC

Return to Master TOC

Return to Master TOC

Return to Master TOC

WIRE-MATIC 255



NOTES

Return to Master TOC

Return to Master TOC

Return to Master TOC

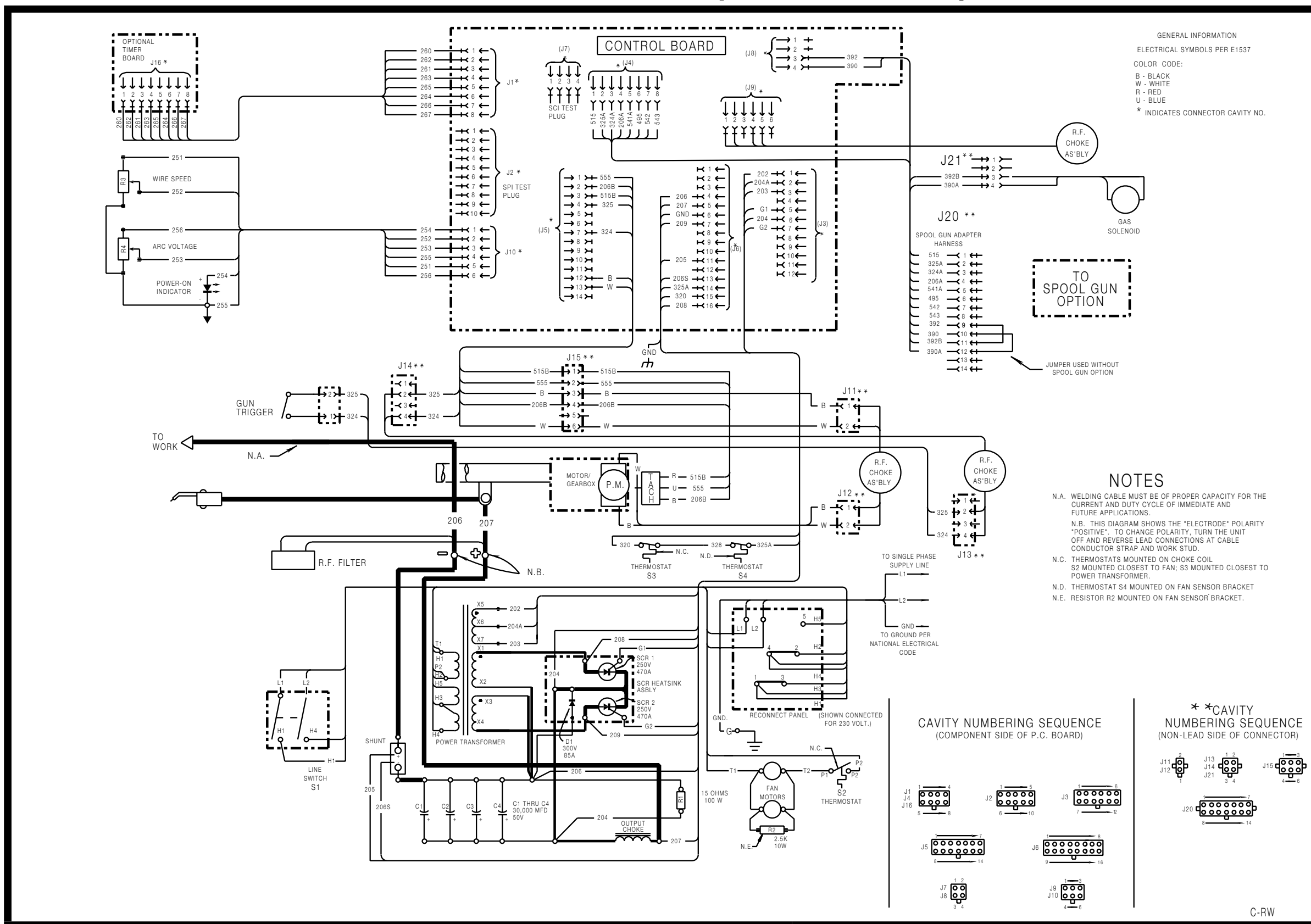
Return to Master TOC

WIRE-MATIC 255



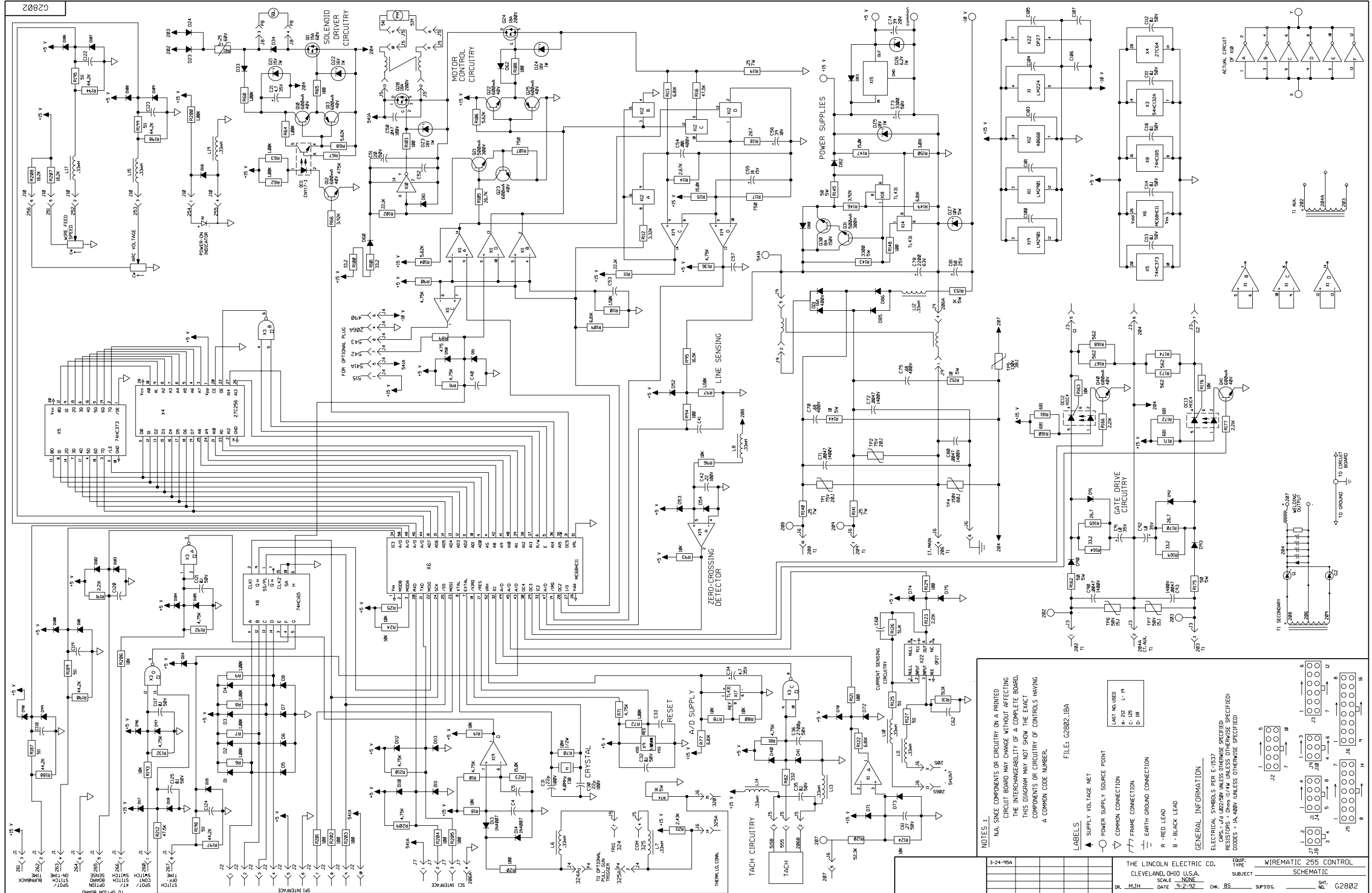
Wiring Diagram (230/460/575) Code 10167

WIRE - MATIC 255 (230 / 460 / 575V)



NOTE: This diagram is for reference only. It may not be accurate for all machines covered by this manual. The specific diagram for a particular code is pasted inside the machine on one of the enclosure panels.

Control PC Board (G2803) Schematic



NOTE: Lincoln Electric assumes no responsibility for liabilities resulting from board level troubleshooting. PC Board repairs will invalidate your factory warranty. **Individual Printed Circuit Board Components are not available from Lincoln Electric.** This information is provided for reference only. Lincoln Electric discourages board level troubleshooting and repair since it may compromise the quality of the design and may result in danger to the Machine Operator or Technician. Improper PC board repairs could result in damage to the machine.



Return to Section TOC

Return to Section TOC

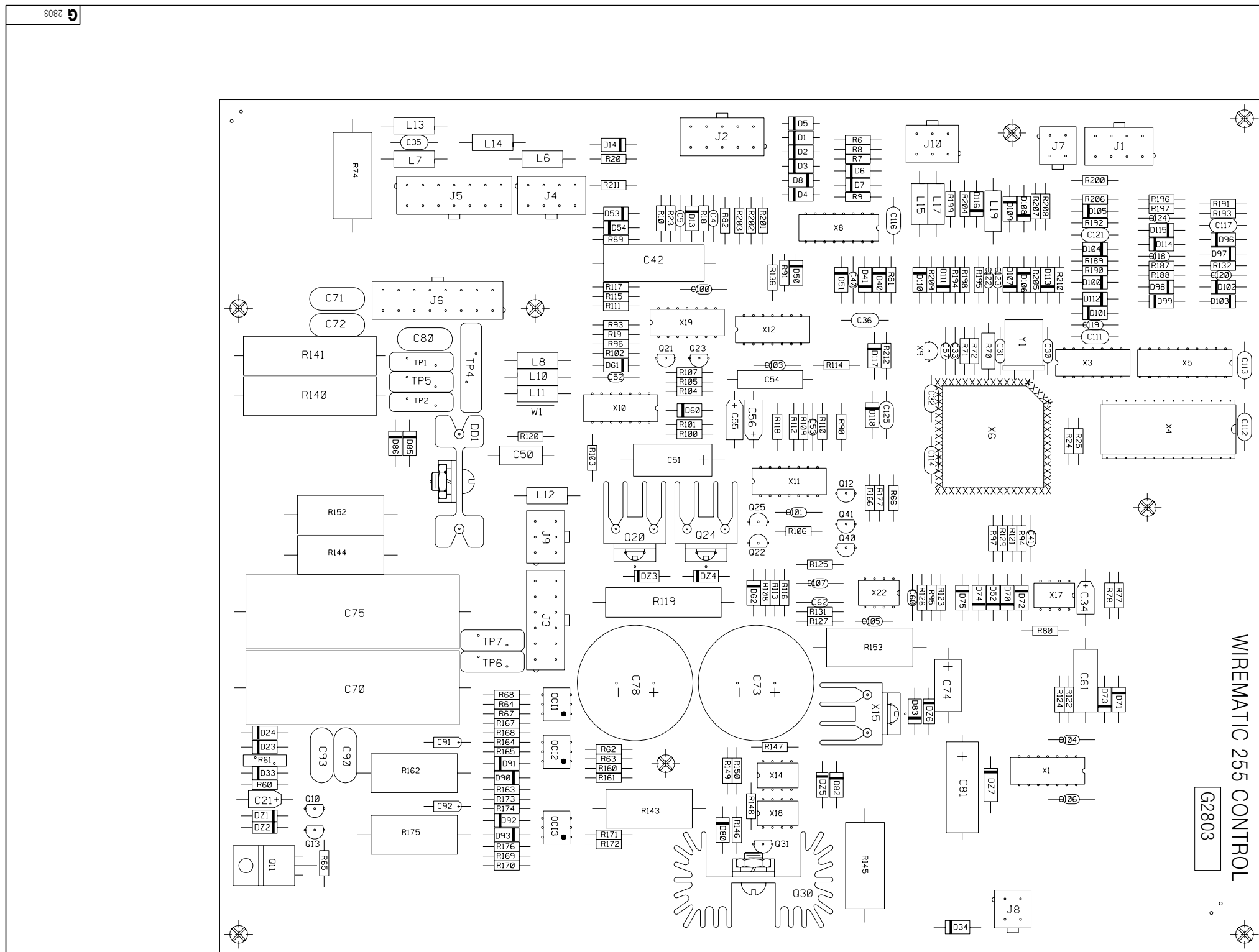
Control PC Board (G2803) Layout

Return to Section TOC
Return to Master TOC

Return to Section TOC
Return to Master TOC

Return to Section TOC
Return to Master TOC

Return to Section TOC
Return to Master TOC



ITEM	REQ'D	PART NO.	IDENTIFICATION
C4, C5, C33, C40, C41, C52, C53, C57, C58, C62, C100, C101, C103, C104, C105, C106, C107, C118, C119, C120, C122, C123, C124	23	S16668-5	.022/50
C21, C34	2	S13490-25	4.7/35
C30, C31	2	S16668-1	22pF/100
C32, C35, C111, C112, C113, C114, C116, C117, C121, C125	10	S16668-11	.1/50
C36	1	S16668-4	2700pF/50
C42	1	T11577-28	.22/100
C50	1	S13490-102	.047/100
C51	1	S13490-73	20/50
C54	1	S13490-76	.001/400
C55	1	S13490-39	.18/15
C56	1	S13490-30	33/10
C61	1	S13490-85	.27/50
C70, C75	2	T11577-35	.68/400
C71, C72, C80, C90, C93	5	T11577-52	.0047 or .005/1400
C73	1	S13490-92	3300/50
C74	1	S13490-104	39pF/20V
C78	1	S13490-118	2200/63V
C81	1	S13490-8	50/25
C91, C92	2	S13490-42	1.0/35
D1, D2, D3, D4, D5, D6, D7, D8, D9, D10, D11, D12, D13, D14, D15, D16, D17, D18, D19, D20, D21, D22, D23, D24, D25, D26, D27, D28, D29, D30, D31, D32, D33, D34, D35, D36, D37, D38, D39, D40, D41, D42, D43, D44, D45, D46, D47, D48, D49, D50, D51, D52, D53, D54, D55, D56, D57, D58, D59, D60, D61, D62, D63, D64, D65, D66, D67, D68, D69, D70, D71, D72, D73, D74, D75, D76, D77, D78, D79, D80, D81, D82, D83, D84, D85, D86, D87, D88, D89, D90, D91, D92, D93, D94, D95, D96, D97, D98, D99, D100, D101, D102, D103, D104, D105, D106, D107, D108, D109, D110, D111, D112, D113, D114, D115, D116, D117, D118, D119, D120	60	T12199-1	IN4004
D13, D14	2	T12199-2	IN4007
D21	1	S18214-2	DUAL IN LINE ON HEATSIINK
D22	1	T12702-9	IN4744
D23, D24, D25	3	T12702-11	IN4745A
D26	1	T12702-45	IN4746A
D27	1	T12702-40	IN4755
D27	1	T12702-33	IN5347B
J1, J4	2	S18248-8	CONNECTOR
J2	1	S18248-10	HEADER
J3	1	S18248-12	HEADER
J5	1	S18248-14	HEADER
J6	1	S18248-16	HEADER
J7, J8	2	S18248-18	HEADER
J9, J10	2	S18248-6	HEADER
L6, L7, L8, L10, L11, L12, L13, L14, L15, L17, L19	11	T12218-7	330uH
OC1	1	S15000-10	OPTO ISOLATOR
OC2, OC3	2	S15000-8	OPTO ISOLATOR
Q10, Q12, Q22, Q23, Q40, Q41	6	T12704-68	2N4401
Q11	1	T12704-54	(SS)
Q13, Q25	2	T12704-69	2N4403
Q20	1	S18395-5	H.S. ASBLY (SS)
Q21, Q31	2	T12704-35	H.S. ASBLY (SS)
Q24	1	S18395-4	H.S. ASBLY
Q30	1	S18395-4	HEAT SINK ASBLY
R6, R7, R8, R9, R60, R62, R63, R64, R72, R200	10	S19400-1001	1K 1/4W
R10, R71, R81, R90, R91, R132, R136, R192, R209, R210	10	S19400-4751	4.75K
R18, R19, R24, R25, R78, R80, R93, R96, R124, R163, R176, R193, R206	13	S19400-1002	10K 1/4W
R20, R65, R84, R103, R108, R121, R123, R148, R201, R202, R203, R204, R205	13	S19400-1000	100 1/4W
R23, R115, R147	3	S19400-1502	15K 1/4W
R61	1	S19380-4	PTC THERM STOR
R66, R146	2	S19400-3921	3.92K 1/4W
R67	1	S19400-4753	475K 1/4W
R68, R104, R106	3	S19400-5821	5.82K 1/4W
R70	1	T14231-2	10M 1/2W
R74, R153	2	T14648-19	1K 5W
R77, R109, R113, R122, R149	5	S19400-6811	6.81K 1/4W
R82	1	S19400-3320	332 1/4W
R89	1	S19400-4750	475 1/4W
R95	1	S19400-1852	18.5K 1/4W
R97, R110	2	S19400-1501	1.5K 1/4W
R100, R101, R164, R169	4	S19400-3382	33.2 1/4W
R102, R111	2	S19400-2212	22.1K 1/4W
R105	1	S19400-2932	29.3K 1/4W
R107, R117	2	S19400-7500	750 1/4W
R112	1	S19400-3321	332 1/4W
R114	1	S19400-2871	2.87K 1/4W
R116, R212	2	S19400-4752	47.5K 1/4W
R118	1	S19400-2670	267 1/4W
R119	1	T12300-75	.25 OHM 3W
R120	1	S19400-5232	52.3K 1/4W
R123, R166, R177, R191	4	S19400-2211	2.21K 1/4W
R125, R127, R187, R189, R195	7	S19400-5110	511 1/4W
R196, R199	2	S19400-5112	51.1K 1/4W
R140, R141	2	T14764-2	.25 7W
R143	1	T14648-5	3.3K 5W
R144, R152	2	T14648-25	10 5W
R145, R162, R175	3	T14648-22	50 5W
R150	1	S19400-3011	3.01K 1/4W
R160, R161, R171, R172	4	S19400-6810	681 1/4W
R165, R170	2	S19400-2687	26.7 1/4W
R167, R168, R173, R174	4	S19400-6520	552 1/4W
R188, R190, R194, R197, R198	5	S19400-4222	44.2K 1/4W
R207, R208	2	S19400-1822	18.2K 1/4W
R211	1	S19400-2431	2.43K 1/4W
TP1, TP2	2	T13640-9	20 JOULES
TP4	1	T13640-16	80 JOULES
TP5	1	T13640-12	38 JOULES
TP6, TP7	2	T13640-15	15 JOULES
X1	1	CJ000001	E2387 *20-2, 00
X1	1	S15128-4	(SS)
X3	1	S17900-24	(SS)
X4	1	S20311-5	(SS)
X5	1	S17900-5	(SS)
X6	1	M15101-6	(SS)
X8	1	S17900-10	(SS)
X9	1	M15102-3	(SS)
X10	1	S15018-4	(SS)
X11, X19	2	S15128-11	(SS)
X12	1	S15018-6	(SS)
X14, X17, X18	3	S15128-10	(SS)
X15	1	S18395-3	(SS)
X22	1	S15128-13	(SS)
Y1	1	S16665-2	4.0 Mhz

CAPACITORS = MFD/VOLTS
RESISTORS = OHMS

THIS SHEET CONTAINS PROPRIETARY INFORMATION OWNED BY THE LINCOLN ELECTRIC CO. AND IS NOT TO BE REPRODUCED, DISCLOSED OR USED WITHOUT THE EXPRESS PERMISSION OF THE LINCOLN ELECTRIC CO.

THE LINCOLN ELECTRIC CO. EQUIP. TYPE WM-255 CLEVELAND, OHIO U.S.A. SUBJECT CONTROL P.C. BOARD ASSEMBLY

SCALE: FULL DATE: 8-19-88 CHK'D: REF. SUPP'D: 2803

NOTE: Lincoln Electric assumes no responsibility for liabilities resulting from board level troubleshooting. PC Board repairs will invalidate your factory warranty. **Individual Printed Circuit Board Components are not available from Lincoln Electric.** This information is provided for reference only. Lincoln Electric discourages board level troubleshooting and repair since it may compromise the quality of the design and may result in danger to the Machine Operator or Technician. Improper PC board repairs could result in damage to the machine.



Free Manuals Download Website

<http://myh66.com>

<http://usermanuals.us>

<http://www.somanuals.com>

<http://www.4manuals.cc>

<http://www.manual-lib.com>

<http://www.404manual.com>

<http://www.luxmanual.com>

<http://aubethermostatmanual.com>

Golf course search by state

<http://golfingnear.com>

Email search by domain

<http://emailbydomain.com>

Auto manuals search

<http://auto.somanuals.com>

TV manuals search

<http://tv.somanuals.com>