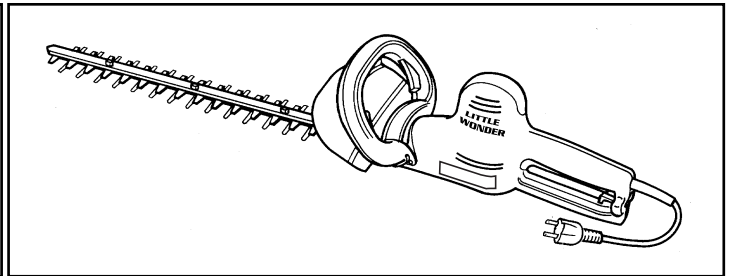
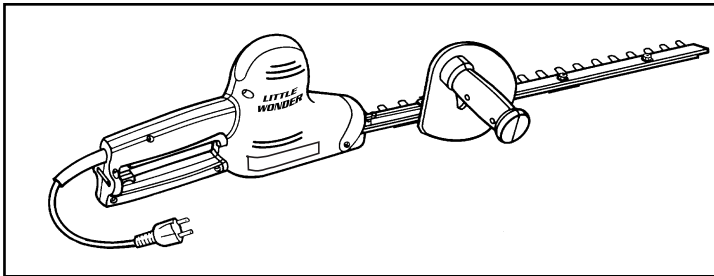


LITTLE WONDER®



EN

OWNER'S MANUAL and SAFETY INSTRUCTIONS

for *Single Edged (Models 1910, 2410, 3010, 1912, 2412, 3012)*
and *Double Edged (Models 1920, 2420, 3020, 1922, 2422, 3022)*

Electric Hedge Trimmers

▲ WARNING DANGER ▲
BLADES ARE EXTREMELY SHARP.
TO AVOID INJURY WHEN UNPACKING
THE HEDGE TRIMMER,
DO NOT GRASP THE BLADES.

FR

MANUEL DE L'UTILISATEUR et INSTRUCTIONS DE SÉCURITÉ

à *tranchant unique (modèles 1910, 2410, 3010, 1912, 2412 et 3012)*
et à *double tranchant (modèles 1920, 2420, 3020, 1922, 2422 et 3022)*

Taille-haies électriques

▲ AVERTISSEMENT DANGER ▲
LES LAMES SONT EXTRÊMEMENT
COUPANTES. POUR ÉVITER DE SE BLESSER
PENDANT LE DÉBALLAGE DE L'APPAREIL,
NE PAS LE SAISIR PAR LA LAME.

ES

MANUAL DEL PROPIETARIO e INSTRUCCIONES DE SEGURIDAD

para *las unidades con una sola cuchilla (modelos 1910, 2410, 3010, 1912, 2412, 3012)*
y *las unidades con dos cuchillas (modelos 1920, 2420, 3020, 1922, 2422, 3022)*

Podadora de arbustos eléctrica

▲ ADVERTENCIA PELIGRO ▲
LAS CUCHILLAS ESTÁN
EXTREMADAMENTE FILOSAS. PARA
EVITARSE UNA LESIÓN AL DESEMPACAR
LA PODADORA DE ARBUSTOS, NO LA
SOSTENGA POR LAS CUCHILLAS.

TABLE OF CONTENTS

	Page
I. IMPORTANT INFORMATION	
A. Introduction	2
II. GENERAL SAFETY RULES	3
A. Safety Decals.....	4
B. Safety Symbols Identification	4
C. Special Safety Rules	5
D. Warnings — Dont's	5
E. Warnings — Do's.....	5
III. UNPACKING AND ASSEMBLY INSTRUCTIONS	6
IV. OPERATION	
A. Instructions for Proper Operation	6-7
V. MAINTENANCE	
A. Lubrication.....	7
B. Service Maintenance Guide	7
VI. SERVICE	
A. Trouble Shooting	8
B. Blade Adjustment.....	8
VII. PARTS EXPLOSIONS	9-13
VII. SPECIFICATIONS	BACK COVER
LIMITED SERVICE & WARRANTY POLICY	Back Cover

I. IMPORTANT INFORMATION

A. INTRODUCTION

On behalf of everyone at **Little Wonder**, we would like to thank you for your purchase of a **Little Wonder** Electric Powered Hedge Trimmer. This professional trimming machine was designed to the highest standards to ensure you many hours of uninterrupted service.

This manual provides the information necessary for safe and efficient operation and service. For your safety, it is critically important that you read and understand this entire manual before operating your hedge trimmer.

II. GENERAL SAFETY RULES

Warning: When using electric tools, basic safety precautions, including the following, should always be followed to reduce the risk of fire, electric shock and personal injury.

Read all these instructions before operating this product and save these instructions.

For safe operations:

1) Keep work area clean.

Cluttered areas and benches invite injuries.

2) Consider work area environment.

Do not expose power tools to rain. Do not use power tools in damp or wet locations. Keep work area well lit. Do not use power tools where there is risk of fire or explosion.

3) Guard against electric shock.

Avoid body contact with earthed or grounded surfaces e.g. pipes, radiators, ranges, refrigerators.

4) Keep children away.

Do not let visitors touch the tool or extension cord. All visitors should be kept away from area.

5) Store idle tools.

When not in use, tools should be stored in a dry, high or locked up place, out of reach of children.

6) Do not force the tool.

It will do the job better and safer at the rate for which it was intended.

7) Use the right tool.

Do not force small tools or attachments to do the job of a heavy duty tool. Do not use tools for purposes not intended; for example, do not use circular saws to cut tree limbs or logs.

8) Dress properly.

Do not wear loose clothing or jewelry, the can be caught in moving parts. Rubber gloves and non-skid footwear are recommended when working outdoors. Wear protective hair covering to contain long hair.

9) Use safety glasses.

Use face or dust mask if the cutting operation is dusty.

10) Do not abuse the cord.

Never carry the tool by the cord or yank it to disconnect it from the socket. Keep the cord away from heat, oil and sharp edges.

11) Secure work.

Use a vice to clamp the frame bar while adjusting blades. It is safer than using your hand and it frees both hands to operate the tools.

12) Do not overreach.

Keep proper footing and balance at all times.

13) Maintain tool with care.

Keep cutting tools sharp and clean for better and safer performance. Follow instructions for lubrication and changing accessories. Inspect tool cord periodically and if damaged have it repaired by an authorized service facility. Inspect extension cords periodically and replace, if damaged. Keep handles dry, clean and free from oil and grease.

14) Disconnect tools.

When not in use, before servicing and when changing accessories such as blades, bits and cutters.

15) Remove adjusting keys and wrenches.

Form the habit of checking to see that keys and adjusting wrenches are removed from the tool before turning it on.

16) Avoid unintentional starting.

Do not carry a plugged in tool with a finger on the switch. Ensure switch is off when plugging in.

17) Use outdoor extension leads.

When tool is used outdoors, use only extension cords intended for outdoor use.

18) Stay alert.

Watch what you are doing . Use common sense. Do not operate tool when you are tired.

19) Check damaged parts.

Before further use of the tool, a guard or other part that is damaged should be carefully checked to determine that it will operated properly and perform its intended function. Check for alignment of moving parts, free running of moving parts, breakage of parts, mounting and any other conditions that may affect its operation. A guard or other part that is damaged should be properly repaired or replaced by an authorized service center unless otherwise indicated in this instruction manual. Have defective switches replaced by an authorized service facility. Do not use the tool if the switch does not turn it on and off.

20) Warning.

The use of any accessory or attachment, other than those recommended in this instruction manual, may present a risk of personal injury.

21) Have your tool repaired by a qualified person.

This electric tool conforms to relevant safety requirements. Repairs should only be carried out by qualified persons using original spare parts, otherwise this may result in considerable danger to the user.

▲ WARNING DANGER ▲
THIS SYMBOL POINTS OUT
IMPORTANT SAFETY INSTRUCTIONS.

WHEN YOU SEE THIS SYMBOL, ▲
HEED IT'S WARNING!!
STAY ALERT!!

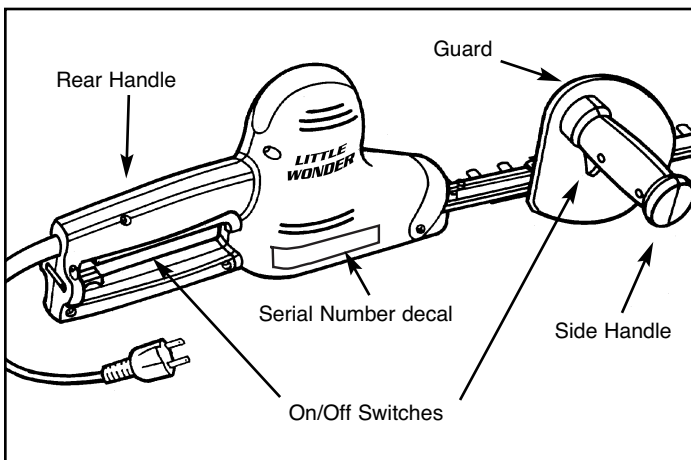
▲ WARNING DANGER ▲
TO REDUCE THE POTENTIAL FOR
ACCIDENTS, COMPLY WITH THE
SAFETY INSTRUCTIONS IN THIS
MANUAL. FAILURE TO COMPLY MAY
RESULT IN SERIOUS PERSONAL
INJURY AND OR EQUIPMENT AND
PROPERTY DAMAGE.

▲ A. SAFETY DECALS AND MOLDED SYMBOLS

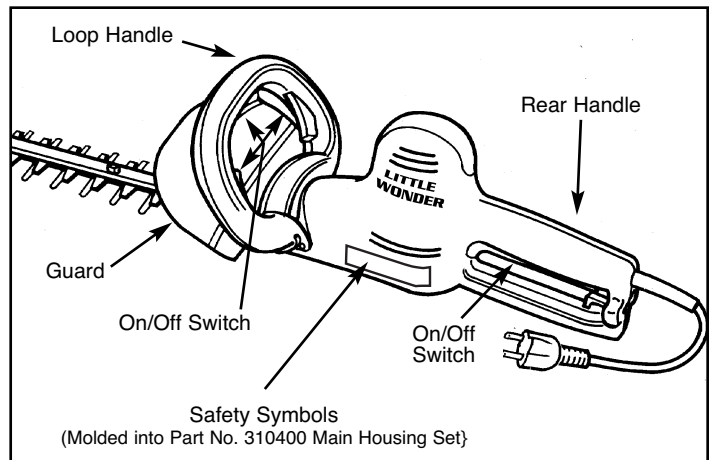
Important parts of the safety system incorporated in both Single Edge and Double Edge trimmers are the warning and informational decals and molded-in symbols found on various parts of the trimmer. These decals must be replaced in time due to abrasion, etc.

It is your responsibility to replace the decals or molded housing when they become hard to read. The locations of these safety features are shown below. See page 13 for their part numbers when ordering replacements.

Single Edge Trimmer



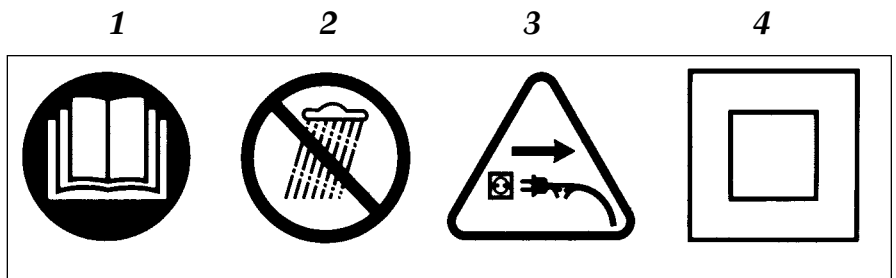
Double Edge Trimmer



▲ B. SAFETY SYMBOLS IDENTIFICATION

WHAT THE SYMBOLS MEAN:

1. Read the instructions.
2. Do not expose to rain.
3. Remove plug from main (electric power source) immediately if cable is damaged or cut.
4. Double insulated.



▲ WARNING DANGER ▲
IF TRIMMER IS USED IMPROPERLY OR SAFETY PRECAUTIONS ARE NOT FOLLOWED,
THE USER RISKS SERIOUS INJURY TO THEMSELVES AND OTHERS.
READ AND UNDERSTAND THE RULES FOR SAFE OPERATION AND ALL
INSTRUCTIONS IN THIS MANUAL.

▲ C. SPECIAL SAFETY RULES

1. Read and understand the owner's manual. Pay particular attention to all sections regarding safety.
 2. Always keep a firm grip on both handles while the blades are moving and/or the motor is running. On Single Edged units, the right hand grasps the front side handle and the left hand grasps the rear handle. On Double Edged units, one hand grasps the front 'loop' handle, while the other hand grasps the rear handle.
 3. **BE AWARE!!** The blades coast after triggers are released or motor is switched off. Make sure blades have come to a complete stop before letting go of a handle.
 3. Maintain a firm footing and good balance; do not overreach while trimming. Before you start to trim, check the work area for obstacles that might cause you to lose your footing, balance or control of the machine.
 4. Keep area clear of children, pets, and bystanders.
-

▲ D. WARNINGS — DON'TS

Don't use trimmer with one hand, keep both hands on handles with fingers and thumbs encircling the handles, while blades are moving, and motor is running.

Don't overreach or stand on unstable support. Do not stand on the top of a ladder while trimming. Use proper equipment for reaching higher heights. Keep a good footing at all times.

Don't ever grasp cutting blades for any reason.

Don't attempt to clear cut material while blades are moving, and the motor is running. **Never** try to remove

jammed material before switching the motor off and making sure the blades have stopped completely.

Don't over-ride safety features.

Don't allow children or incapable people to operate this trimmer.

Don't operate this hedge trimmer while under the influence of alcohol or drugs.

Don't attempt to repair this hedge trimmer. Have repairs made by a qualified dealer or repairman. See that only original **Little Wonder** parts are used.

▲ E. WARNINGS — DO'S

Always read and follow all instructions.

Always stay alert. Watch what you are doing and use common sense. Do not operate unit when fatigued.

Always dress properly. Do not wear loose clothing or jewelry, they might get caught in moving parts. Use sturdy proper fitting, non-slip gloves. Gloves reduce the transmission of vibration to your hands. Prolonged exposure to vibration can cause numbness and other ailments. Wear non-skid foot wear to ensure secure and proper footing.

Always wear ear and eye protection. Eye protection must meet ANSI Z 87.1. To avoid hearing damage we recommend hearing protection be worn whenever using the equipment.

Always keep both hands on both handles when trimmer is running. Severe injuries can result if you try to use the hedge trimmer with only one hand or with an insecure grip.

Always keep children, pets, and incapable persons away.

Always use trimmer properly. Cut only types and size of growth described in the Trimming section of this manual. Overloading or abusing your hedge trimmer can cause premature failure and can result in injury. Use common sense.

Always keep a safe distance between two or more operators when working together simultaneously.

Always inspect your unit before each use and ensure that all handles, guards, safety devices and fasteners are secure, operating, and in place.

Always maintain and examine your trimmer with care. Follow maintenance instructions given in manual.

Always store trimmer in a sheltered area (a dry place) not accessible to children. The hedge trimmer should not be stored in a house.

III. UNPACKING AND ASSEMBLY INSTRUCTIONS

▲ **WARNING DANGER** ▲

BLADES ARE EXTREMELY SHARP. TO AVOID INJURY WHEN UNPACKING THE HEDGE TRIMMER, DO NOT GRASP THE BLADES.

▲ **WARNING DANGER** ▲

IF YOU HAVE ANY QUESTIONS, CONTACT YOUR LOCAL DEALER

Your **Little Wonder** hedge trimmer has been assembled for you at the factory. Before operating be

sure all fasteners are secure, and all guards and safety devices are in place and operating properly.

IV. OPERATION

▲ **WARNING DANGER** ▲

THE OPERATOR OF THIS HEDGE TRIMMER IS RESPONSIBLE FOR ACCIDENTS OR HAZARDS OCCURRING TO HIMSELF, OTHER PEOPLE OR THEIR PROPERTY.

A. INSTRUCTIONS FOR PROPER OPERATION

▲ **WARNING DANGER** ▲

BLADES COAST AFTER RELEASING THE SWITCHES

KEEP A FIRM GRIP WITH ONE HAND ON EACH HANDLE WHILE BLADES ARE MOVING AND/OR MOTOR IS RUNNING.

DO NOT STAND ON THE TOP OF A LADDER WHILE TRIMMING.

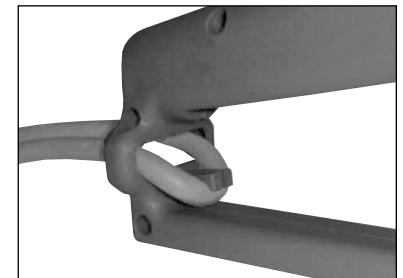
MAKE SURE YOUR LADDER OR OTHER SUPPORT IS STABLE AND ON FIRM GROUND.

KEEP A SURE FOOTING.
DO NOT OVERREACH.

IF YOUR TRIMMER BECOMES JAMMED, TURN OFF THE HEDGE TRIMMER. MAKE SURE BLADES HAVE STOPPED COMPLETELY, THEN REMOVE THE OBSTRUCTION.

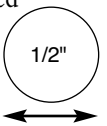
Securing the extension cord.

Bend the extension cord about 6" from the plug end. Push that bend through the oblong opening in the back of the handle. Then loop the bend under the cord retaining clips as shown. This will prevent the extension cord from detaching from the hedge trimmer plug.



Misuse of this Hedge Trimmer will void the warranty. ie: cutting hedges or shrubs over 1/2" in diameter or foreign objects such as wires, rocks, or fences. Before trimming check work area for foreign objects such as wires, cords, glass, fences, or rocks. Be sure to remove any foreign objects from the work area. Failure to properly maintain this hedge trimmer will void the warranty.

1. Read care and safety instructions carefully before attempting to use this trimmer. Only after you are familiar with your hedge trimmer and all of its controls and the functions should you start the trimmer.
2. Before plugging into an electric circuit, be sure that the voltage supply is as specified on hedge trimmer.
Models 1910, 1920, 2410, 2420, 3010, 3020 are rated at 464 watts at 115 volts.
Models 1912, 1922, 2412, 2422, 3012, 3022 are rated at 390 watts at 230 volts.
3. Be sure the switches are in the "off" (not depressed) position before connecting unit to the applicable current. (120V AC or 220V/240V AC.) Do not carry a plugged -in trimmer with a finger on the switch.
4. The electricity for this hedge trimmer should be supplied through a Residual Current Device (RCD) with a tripping current of not more than 30 mA. These protective devices are also known as Residual Current Circuit Breakers (RCCBs) or Earth Leakage Circuit Breakers (ELCBs).
5. Keep extension cord behind trimmer. Never drape extension cord over hedge being trimmed. On 120V units, use 16 gauge wire extension cord up to 100 feet. Over 100 feet use 14 or heavier gauge wire or extension cord. Cords are available from your local Little Wonder dealer. The use of light gauge lamp cords or sizes lighter than those specified above will result in loss of power, possible motor failure, overheating of cord and the possibility of fire.
6. Warning! These trimmers have been designed so they can only be operated when using both hands. Do not attempt to override this important safety feature in any way.
7. Hold trimmer firmly. For Single Edge Model, keep right hand on side handle and left hand on rear handle. For Double Edge Model, you can place either hand on either handle. Squeeze both switches. Tilt trimmer so cutting tooth is angled slightly toward the hedge or shrub and proceed to cut. Use overlapping sweeping motions away from your body to achieve a safe and even cut. The unit is designed to cut any type of hedge or shrub; however, thickness of cut should not exceed 1/2 inch in diameter.



V. MAINTENANCE

Remove the plug from the socket before carrying out any adjustment, servicing, or maintenance.

A. LUBRICATION AND MAINTENANCE

1. A few drops of light (#10) oil should be placed on the back edge of each blade at each adjusting screw after approximately every four hours of normal operation.
2. To obtain trouble free trimming, it is necessary to keep the blades lubricated and clean. The gum that collects and builds up on the blades can be removed with 50-50 mixture of kerosene and #10 oil. Since a petroleum product can shorten the life of some plastics, it is necessary to remove excess oil-kerosene mixture from the plastic parts. Blades must be clean before they can be adjusted.
Caution! Kerosene and oil are flammable.
3. A few drops of light (#10) or 3-in-1 oil should be put in the hole indicated on the bottom cover plate. This is necessary only at the beginning of a day's operation.
4. Gear housing and motor bearings have been permanently lubricated with a special grease which should last for the life of the trimmer. When blades are replaced, or any other time that the bottom cover plate is removed, the grease must be checked for proper amount (approximately 3/4 full in the area of the gears), and a new gasket and new screws must be used to insure proper seating of cover plate. Use only Lubrico M3-3K9K grease (P/N 16-78A) in the gear housing. Lubrico M24M (P/N 16-78B) is to be used on the motor bearings. Lubrico is available through your local Little Wonder Dealer.
5. Before each use, inspect to be sure handles, safety devices and fasteners are secure and in place, and cord is not frayed. If the supply cord is damaged, it must be replaced by the manufacturer, its service agent or similarly qualified person in order to avoid a hazard.

B. SERVICE MAINTENANCE GUIDE

Area	Maintenance	Frequency
Gear Housing	Check Grease	Monthly
Blades	Inspect / Clean / Lubricate	After Each Use
Fasteners	Inspect / Tighten / Replace	Before Each Use
Labels	Inspect / Replace	Before Each Use
Handles	Inspect / Replace	Before Each Use
Guards / Safety Devices	Inspect / Replace	Before Each Use

IMPORTANT- Time intervals shown are maximum. Actual use and your experience will determine the frequency of required maintenance.

VI. SERVICE

A. TROUBLE SHOOTING

Problem	Cause	Remedy
1. Blades don't cut cleanly.	Blades are dull or not adjusted properly.	Have blades sharpened and adjusted.
2. Blades don't move when turned on.	Blades are adjusted too tight.	Re-adjust blades following service instructions.
3. Excessive electrical arcing from vents in top of trimmer.	Worn brushes.	Replace brushes - follow service instructions.

B. BLADE ADJUSTMENT

The care and adjustment of the blades is very important to the efficient operation of the trimmer and especially to the long life of the motor.

Make sure the trimmer is NOT plugged in.

1. Turn trimmer upside down. Place trimmer in vice, clamping on the sides of frame bar. ***Be careful! Blades are sharp!***
2. Using a 7/16" wrench, loosen all blade locknuts and unscrew the large head screws by two turns.
3. Starting with the screw nearest the gear housing, tighten the screw until the blade guard of the

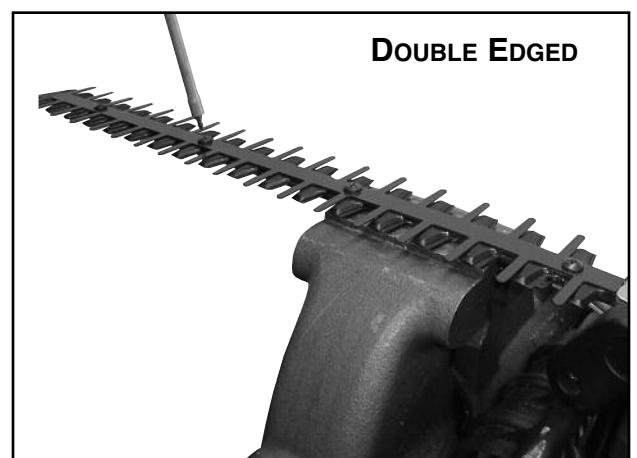
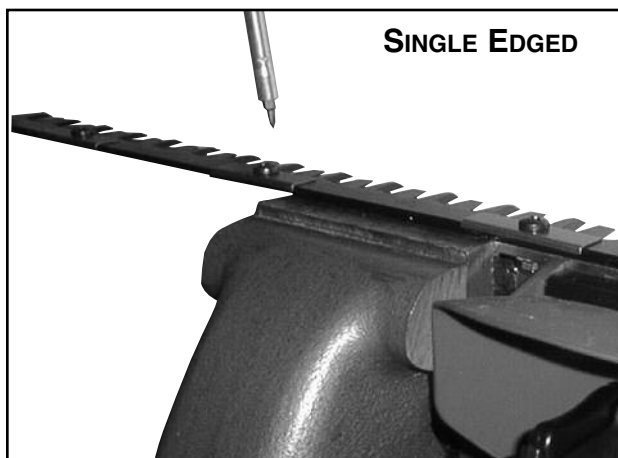
Single Edged trimmer or the protective comb of the Double Edged trimmer can just be moved with finger pressure. (A .0015" (1 1/2 thou.) feeler gauge just slips under the blade guard or comb when properly adjusted.) Tighten the locknuts while holding the screw stationary in its correct adjusted position. Re-check to make sure the blade guard or comb can still be moved.

4. Repeat Step 3 on each screw in turn until all are correctly adjusted.

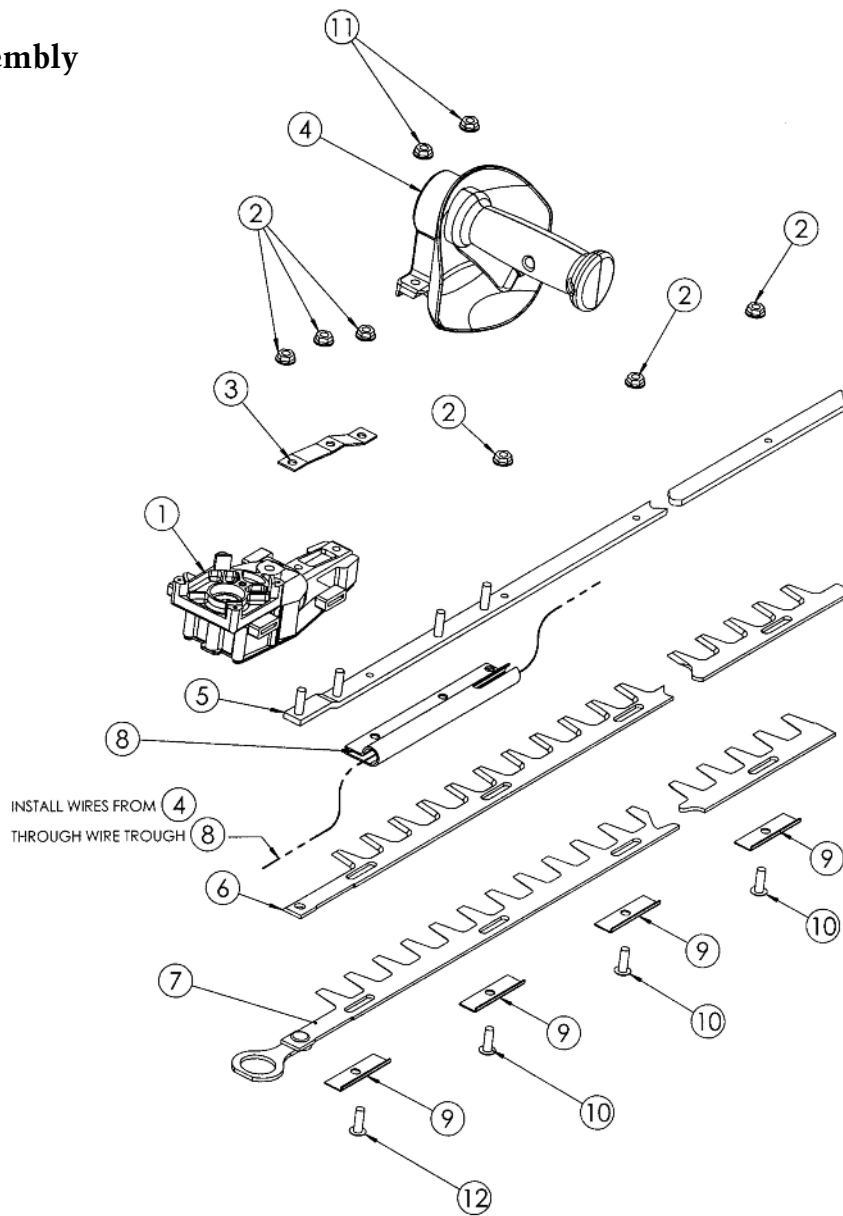
NOTE: CORRECT BLADE ADJUSTMENT CAN ONLY BE ACHIEVED ON CLEAN, OILED BLADES.

▲ WARNING DANGER ▲

**KEEP HANDS AWAY FROM THE BLADES WHILE SERVICING THE HEDGE TRIMMER.
BE SURE TRIMMER IS SECURED, UNPLUGGED, AND BLADES ARE GUARDED
WHILE MAKING ADJUSTMENTS**

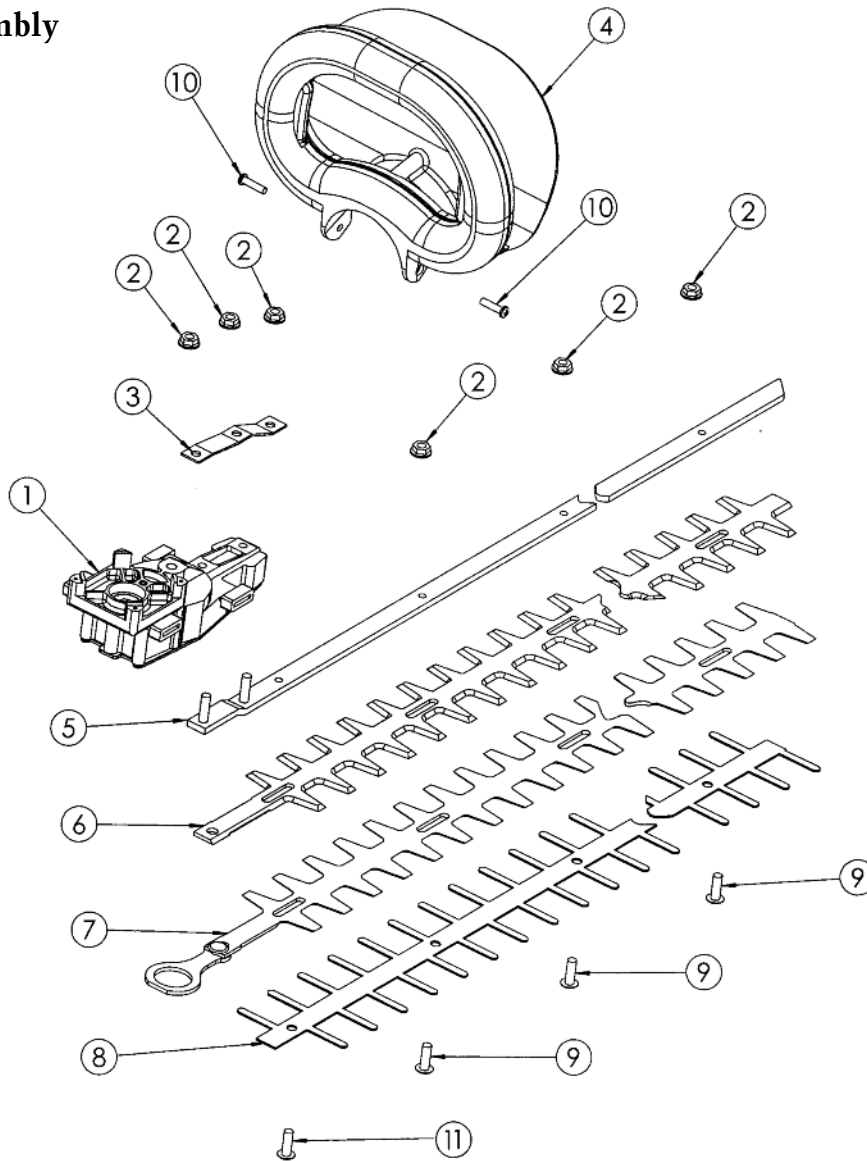


Single Edge Assembly



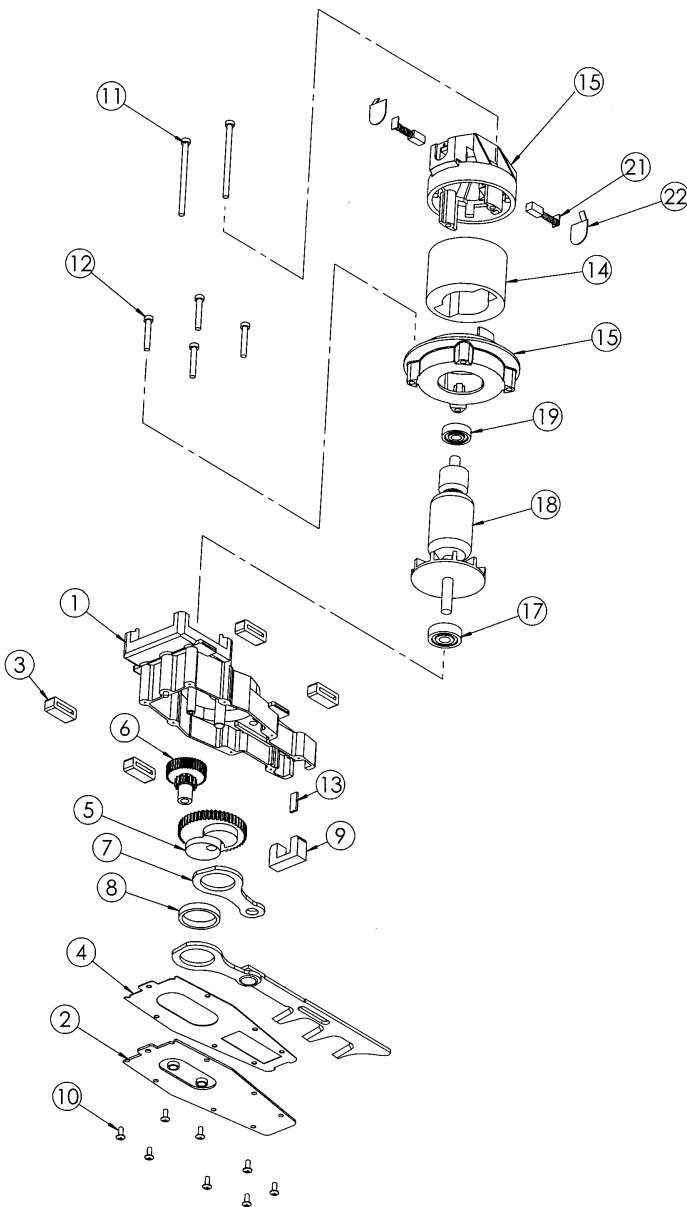
KEY #	PART #	DESCRIPTION	QTY.
1	310100	Gear Housing Assembly (including pressed in pins)	1
2	16-54B	Nut Lock 1/4-28 whiz Flange (for models 3010, 3012) 30" SE	7
2	16-54B	Nut Lock 1/4-28 whiz Flange (for models 2410, 2412) 24" SE	6
2	16-54B	Nut Lock 1/4-28 whiz Flange (for models 1910, 1912) 19" SE	5
3	310106	Frame Bar Support	1
4	NA	Side Handle Assembly (See individual part numbers)	1
5	310310	Frame Bar assembly (for models 3010, 3012) 30" SE	1
5	310305	Frame Bar assembly (for models 2410, 2412) 24" SE	1
5	310300	Frame Bar assembly (for models 1910, 1912) 19" SE	1
6	30-2	Inside Blade (for models 3010, 3012) 30" SE	1
6	24-2	Inside Blade (for models 2410, 2412) 24" SE	1
6	19-2	Inside Blade (for models 1910, 1912) 19" SE	1
7	30-1	Outside Blade (for models 3010, 3012) 30" SE	1
7	24-1	Outside Blade (for models 2410, 2412) 24" SE	1
7	19-1	Outside Blade (for models 1910, 1912) 19" SE	1
8	310215	Conduit	1
9	16-93	Blade Guard (for models 3010, 3012) 30" SE	5
9	16-93	Blade Guard (for models 2410, 2412) 24" SE	4
9	16-93	Blade Guard (for models 1910, 1912) 19" SE	3
10	16-54A	Large Head Phillips Screw (for models 3010, 3012) 30" SE	4
10	16-54A	Large Head Phillips Screw (for models 2410, 2412) 24" SE	3
10	16-54A	Large Head Phillips Screw (for models 1910, 1912) 19" SE	2
11	3036-B	1/4-28 Flange Locknut	3
12	310505	Screw, 1/4-28 x 1" Large Head	1

Double Edge Assembly



KEY #	PART #	DESCRIPTION	QTY.
1	310100	Gear Housing Assembly (including pressed in pins)	1
2	16-54B	Nut Lock 1/4-28 whiz Flange (for models 3020, 3022) 30" DE	7
2	16-54B	Nut Lock 1/4-28 whiz Flange (for models 2420, 2422) 24" DE	6
2	16-54B	Nut Lock 1/4-28 whiz Flange (for models 1920, 1922) 19" DE	5
3	300300	Frame Bar Support	1
4	NA	Loop Handle Assembly (See individual part numbers)	1
5	310325	Frame Bar assembly (for models 3020, 3022) 30" DE	1
5	310320	Frame Bar assembly (for models 2420, 2422) 24" DE	1
5	310315	Frame Bar assembly (for models 1920, 1922) 19" DE	1
6	30-2D	Inside Blade (for models 3020, 3022) 30" DE	1
6	24-2D	Inside Blade (for models 2420, 2422) 24" DE	1
6	19-2D	Inside Blade (for models 1920, 1922) 19" DE	1
7	30-1D	Outside Blade (for models 3020, 3022) 30" DE	1
7	24-1D	Outside Blade (for models 2420, 2422) 24" DE	1
7	19-1D	Outside Blade (for models 1920, 1922) 19" DE	1
8	30-42	30" Comb (for models 3020, 3022) 30" DE	1
8	24-42	24" Comb (for models 2420, 2422) 24" DE	1
8	19-42	19" Comb (for models 1920, 1922) 19" DE	1
9	16-54A	Large Head Phillips Screw (for models 3020, 3022) 30" DE	4
9	16-54A	Large Head Phillips Screw (for models 2420, 2422) 24" DE	3
9	16-54A	Large Head Phillips Screw (for models 1920, 1922) 19" DE	2
10	310500	Screw, Plas-Tite #8 x 3/4"	2
11	310505	Screw, 1/4-28 x 1" Large Head	1

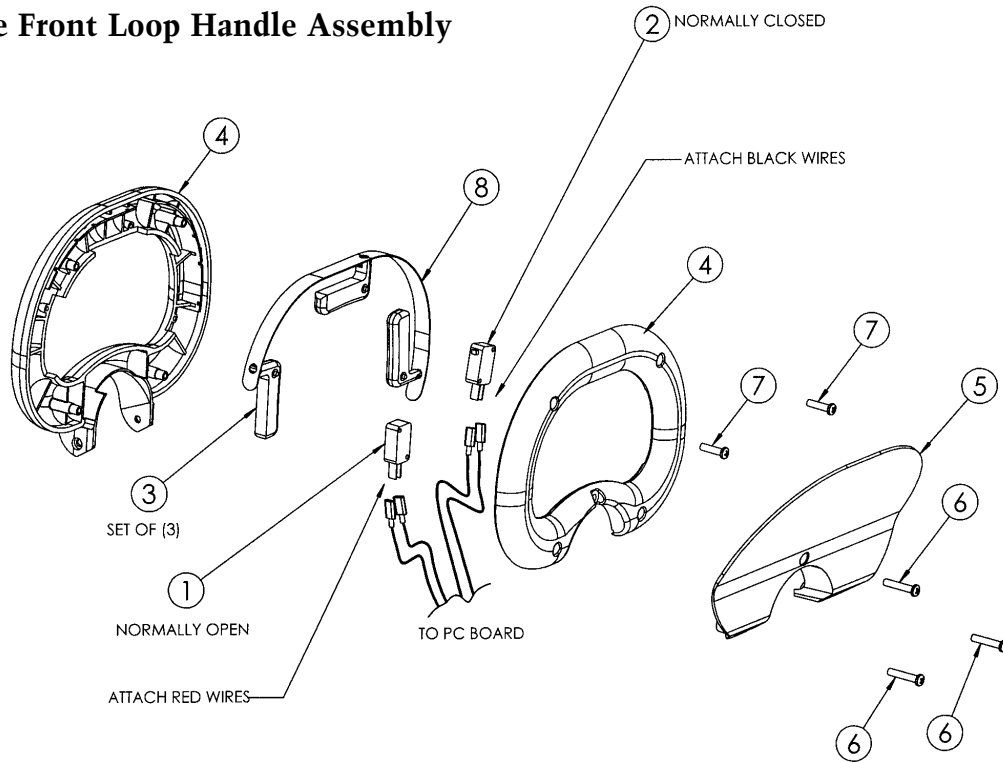
Gear/Motor Assembly



KEY NO.	PART NO.	DESCRIPTION	QTY.
1	310100	Gear housing assembly	1
2	16-57A	Gear housing cover plate	1
3	310407	Grommet rubber	4
4	D16-71	Gasket cover plate	1
5	310111	Gear eccentric - (See Note)	1
6	310112	Gear cluster - (See Note)	1
7	16-64	Connecting rod	1
8	16-65	Spacer connecting rod	1
9	16-67	Felt	1
10	16-81-1	Screw 6-32 x 5/16	8
11	310503	Motor bolt 8-32 x 2 1/2	2
12	3042	Machine screw	4
13	D16-56F	Wear plate	1
14	310903	Stator 120V (for models 3020, 3010, 2420, 2410, 1920, 1910)	1
14	310900	Stator 230V (for models 3022, 3012, 2422, 2412, 1922, 1912)	1
15	310108	Motor housing base and cap set with brush holder	1
17	16-69D	Bearing lower	1
18	310901	Armature 120V (for models 3020, 3010, 2420, 2410, 1920, 1910)	1
18	310902	Armature 230V (for models 3022, 3012, 2422, 2412, 1922, 1912)	1
19	16-69E	Bearing upper	1
20	3025	Brush holder [not shown]	2
21	310105	Brush	2
22	3026	Brush retaining plate	2

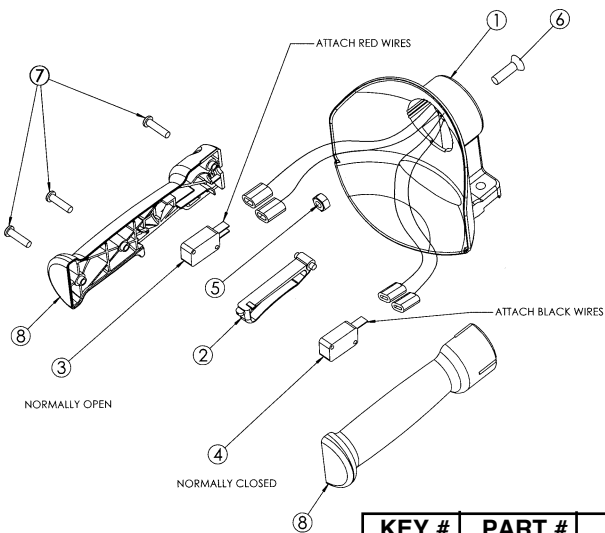
Note: New high speed gears. Part number 310111 must be used with part number 310112, and likewise part number 310112 can only be used with part number 310111.

Double Edge Front Loop Handle Assembly



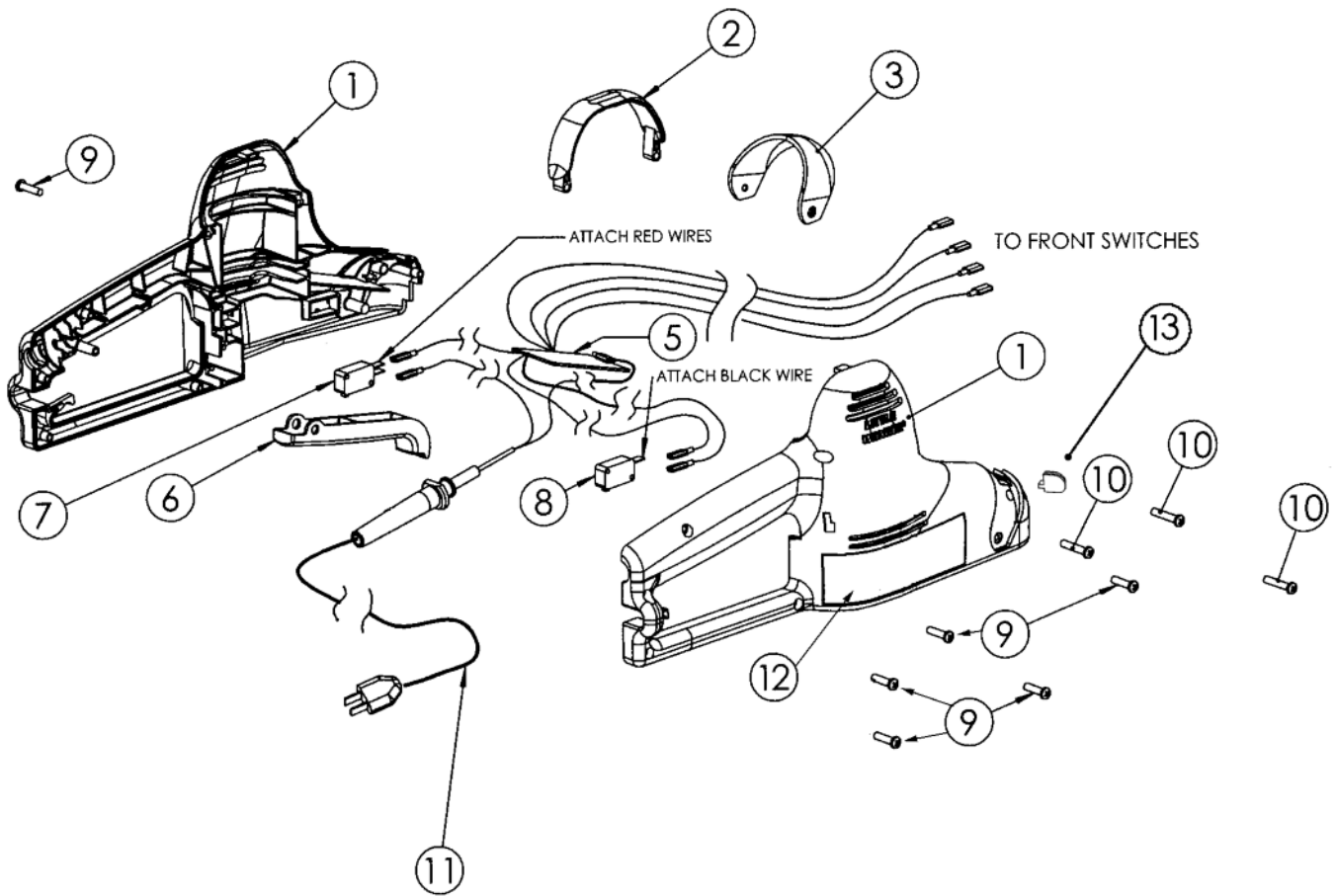
KEY #	PART #	DESCRIPTION	QTY.
1	3033	Switch Normally Open	1
2	310405	Switch Normally Closed	1
3	310219	Loop Handle Trigger Set	1
4	310203	Loop Handle Set	1
5	310207	Shield	1
6	310504	Screw Plasti-Tite #8 x 1"	3
7	310500	Screw Plasti-Tite #8 x 3/4"	2
8	310218	Loop Handle Trigger Strap	1

Single Edge Front Handle Assembly



KEY #	PART #	DESCRIPTION	QTY.
1	310206	Side Handle Shield	1
2	310210	Trigger Side Handle	1
3	3033	Switch Normally Open	1
4	310405	Switch Normally Closed	1
5	310502	Nut Nylock 1/4-28	1
6	310501	Socket Flat Head 1/4-28 x 3/4 ss	1
7	310500	Screw Plasti-Tite #8 x 3/4"	3
8	310200	Side Handle Set	1

Main Housing Assembly



KEY NO.	PART NO.	DESCRIPTION	QTY.
1	310400	Main housing set	1
2	310403	Housing brush cap cover plate	1
3	310404	Housing loop handle cover plate *	1
5	310438	PC Board assembly (for models 3012, 2412, 1912)	1
5	310436	PC Board assembly (for models 3010, 2410, 1910)	1
5	310439	PC Board assembly (for models 3022, 2422, 1922)	1
5	310437	PC Board assembly (for models 3020, 2420, 1920)	1
6	310209	Trigger rear housing	1
7	3033	Switch normally open	1
8	310405	Switch normally closed	1
9	310500	Screw, Plasti-tite No. 8 x 3/4"	6
10	310504	Screw, Plasti-tite No. 8 x 1"	3
11	310410	120V Cord assembly	1
11	310412	230V Cord assembly	1
11	310433	Cord assembly - Canada	1
12	310600	Warning label	1
13	310217	Grommet, Conduit **	1

* Not needed for double-edge models.

** Not needed for single-edge models

VIII. SPECIFICATIONS

Model	Cutting Length cm (in.)	Weight kg (lb)
1912	48 (19)	3.49 (7.7)
1922	48 (19)	3.89 (8.6)
2412	61 (24)	3.62 (8.0)
2422	61 (24)	4.04 (8.9)
3012	76 (30)	3.85 (8.5)
3022	76 (30)	4.59 (10.1)

All listed hedge trimmers are rated for 230 volts AC at 50 hertz.

The A-weighted emission sound pressure level at the operator position has been measured at: $L_{PA} = 80$ dB(A). These measurements were made in accordance with EN ISO 11201:1996 under no-load conditions.

The Hand-Arm weighted r.m.s. vibration measured at the handles in accordance with EN 50144-1 part 13.3 at rated conditions, no load was: 1.0 m/s².

LIMITED SERVICE & WARRANTY POLICY **FOR ELECTRIC HEDGE TRIMMERS**

All **Little Wonder** Electric Hedge Trimmers are guaranteed against defects in material and workmanship for a period of 2 YEARS from date of purchase, when used for RESIDENTIAL SERVICE, or 1 Year when used for COMMERCIAL SERVICE. Any **Little Wonder** Electric Hedge Trimmer or part found to be defective within the warranty period is to be returned to any registered Little Wonder Dealer.

Transportation charges for parts and units submitted for replacement under this warranty must be borne by the purchaser.

THIS WARRANTY shall not be effective if the product has been subject to misuse, negligence or accident, used in cutting hedges or shrubs greater than 1/2" in diameter, used to cut foreign objects such as wire, rocks, or fences, or if the product has been repaired or altered outside of our Southampton factory or any registered Little Wonder dealer, in any respect which affects its condition or operation.

LITTLE WONDER shall not be liable for any special indirect or consequential damages arising from defective equipment. Any implied warranty, including merchantability of fitness for a particular purpose, shall not extend beyond the written warranty period.

THIS WARRANTY shall only be effective if the enclosed Warranty/Registration card is properly filled out and returned to **Little Wonder**, Div. of Schiller-Pfeiffer, Inc. at time of purchase.

Specifications, descriptions, and illustrative material in this literature are as accurate as known at the time of publication, but are subject to change without notice.

Manufactured by:

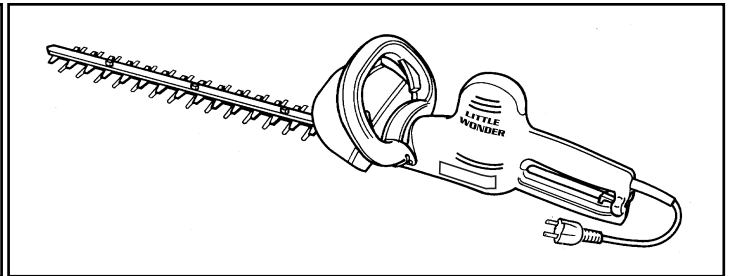
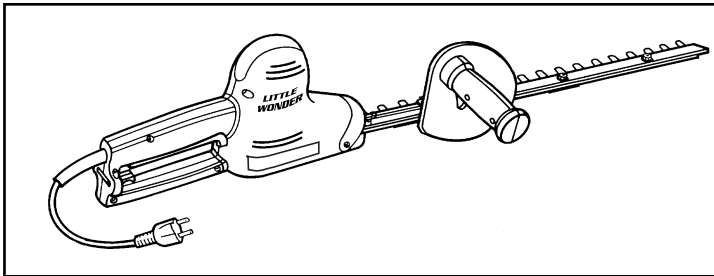
LITTLE WONDER®

DIVISION OF SCHILLER-PFEIFFER, INCORPORATED
1028 STREET ROAD, P.O. BOX 38
SOUTHAMPTON, PA 18966
PHONE 215-357-5110 • FAX 215-357-8045

©2003, **LITTLE WONDER**, Division Schiller-Pfeiffer, Inc.

P/N 310700
6-03

LITTLE WONDER®



EN

OWNER'S MANUAL and SAFETY INSTRUCTIONS

for *Single Edged (Models 1910, 2410, 3010, 1912, 2412, 3012)*
and *Double Edged (Models 1920, 2420, 3020, 1922, 2422, 3022)*

Electric Hedge Trimmers

▲ WARNING DANGER ▲
BLADES ARE EXTREMELY SHARP.
TO AVOID INJURY WHEN UNPACKING
THE HEDGE TRIMMER,
DO NOT GRASP THE BLADES.

FR

MANUEL DE L'UTILISATEUR et INSTRUCTIONS DE SÉCURITÉ

à *tranchant unique (modèles 1910, 2410, 3010, 1912, 2412 et 3012)*
et à *double tranchant (modèles 1920, 2420, 3020, 1922, 2422 et 3022)*

Taille-haies électriques

▲ AVERTISSEMENT DANGER ▲
LES LAMES SONT EXTRÊMEMENT
COUPANTES. POUR ÉVITER DE SE BLESSER
PENDANT LE DÉBALLAGE DU TAILLE-
HAIES, NE PAS LE SAISIR PAR LES LAMES.

ES

MANUAL DEL PROPIETARIO e INSTRUCCIONES DE SEGURIDAD

para *las unidades con una sola cuchilla (modelos 1910, 2410, 3010, 1912, 2412, 3012)*
y *las unidades con dos cuchillas (modelos 1920, 2420, 3020, 1922, 2422, 3022)*

Podadora de arbustos eléctrica

▲ ADVERTENCIA PELIGRO ▲
LAS CUCHILLAS ESTÁN EXTREMADA-
MENTE FILOSAS. PARA EVITARSE UNA
LESIÓN AL DESEMPACAR LA PODADORA
DE ARBUSTOS, NO LA SOSTENGA POR LAS
CUCHILLAS.

TABLE DES MATIÈRES

	Page
I. INFORMATION IMPORTANTE	
A. Introduction	2
II. CONSIGNES GÉNÉRALES DE SÉCURITÉ	3
A. Autocollants de sécurité	4
B. Identification des symboles de sécurité.....	4
C. Règles particulières de sécurité	5
D. Avertissements – Ce qu’il ne faut pas faire	5
E. Avertissements — Ce qu’il faut faire.....	5
III. INSTRUCTIONS DE DÉBALLAGE ET D’ASSEMBLAGE	6
IV. FONCTIONNEMENT	
A. Instructions pour une utilisation correcte.....	6-7
V. ENTRETIEN	
A. Lubrification	7
B. Guide d’entretien	7
VI. RÉPARATIONS ET RÉGLAGES	
A. Localisation des pannes	8
B. Réglage des lames	8
VII. VUES ÉCLATÉES ET NOMENCLATURE.....	9-13
VII. CARACTÉRISTIQUES TECHNIQUES	COUVERTURE ARRIÈRE
GARANTIE LIMITÉE ET SERVICE APRÈS-VENTE.....	Couverture arrière

I. INFORMATION IMPORTANTE

A. INTRODUCTION

De la part de tout le personnel de **Little Wonder**, nous tenons à vous remercier de votre achat d’un taille-haies électrique **Little Wonder**. Cet appareil de coupe professionnel a été conçu pour répondre aux normes les plus strictes afin de vous permettre de nombreuses heures d’utilisation ininterrompues.

Ce manuel contient les informations nécessaires à une utilisation et un entretien sûrs et efficaces. Pour votre sécurité, il est extrêmement important que vous lisiez et compreniez le manuel dans son intégralité avant d’utiliser l’appareil.

II. RÈGLES GÉNÉRALES DE SÉCURITÉ

Avertissement : Pendant l'utilisation d'outils électriques, il convient de toujours prendre des précautions élémentaires, y compris celles qui sont indiquées ci-dessous, pour réduire les risques d'incendie, de choc électrique et de blessures corporelles.

Lisez toutes les instructions ci-dessous avant d'utiliser ce produit, et conservez-les pour des consultations ultérieures.

Pour une utilisation sûre :

1) Maintenez la propreté de la zone de travail.

Les zones de travail encombrées et les bancs ou surfaces horizontales de travail ou de rangement sont une source d'accidents.

2) Tenez compte de l'environnement de travail.

N'exposez pas un outil électrique à la pluie. N'utilisez pas un outil électrique dans un endroit humide ni mouillé. Veillez à ce que l'aire de travail soit bien éclairée. N'utilisez pas un outil électrique en présence d'un risque d'incendie ou d'explosion.

3) Protégez-vous contre un choc électrique.

Évitez le contact du corps avec des surfaces mises à la terre ou à la masse, par exemple, les tuyaux, les radiateurs, les fours, les réfrigérateurs.

4) Éloignez les enfants.

Ne laissez pas les spectateurs toucher à l'appareil ni au cordon d'alimentation. Les spectateurs doivent être maintenus à l'écart de la zone de travail.

5) Rangez les outils dont vous ne vous servez pas.

Lorsque vous n'utilisez pas un outil, rangez-le dans un endroit sec, élevé ou cadenassé, hors de la portée des enfants.

6) Ne forcez pas l'outil.

Il travaille mieux et d'une manière plus sûre à l'allure pour laquelle il a été conçu.

7) Utilisez le bon outil.

N'essayez pas avec un petit outil ou accessoire de faire un travail nécessitant l'utilisation d'un outil plus robuste. N'utilisez pas un outil pour un usage pour lequel il n'a pas été conçu. Par exemple, n'utilisez pas une scie circulaire pour couper des branches ou des bûches.

8) Habillez-vous de manière appropriée.

Ne portez pas de bijoux ni de vêtements amples, car ils pourraient être happés par les pièces en mouvement. Il est conseillé de porter des gants en caoutchouc et des chaussures antidérapantes pour le travail d'extérieur. Si vous avez des cheveux longs, portez un couvre-chef les recouvrant.

9) Portez des lunettes de sécurité.

Si l'opération est poussiéreuse, portez un masque facial ou masque protecteur contre la poussière.

10) Prenez soin du cordon d'alimentation.

Ne transportez jamais l'outil par le cordon d'alimentation et ne tirez jamais sur le cordon pour le débrancher de la prise d'alimentation. Maintenez le cordon à bonne distance de toute source de chaleur, ainsi que de toute flaque d'huile ou bord coupant.

11) Fixez l'appareil lorsque vous travaillez dessus.

Utilisez un étau pour tenir en place la barre de coupe pendant le réglage des lames. Cela est moins dangereux que de se servir de la main et permet de libérer les deux mains pour utiliser les outils.

12) Restez d'aplomb.

Maintenez une posture stable et un bon équilibre en toute circonstance.

13) Entretenez soigneusement l'outil.

Pour un meilleur fonctionnement et une meilleure sécurité, maintenez les outils de coupe aiguisés et propres. Respectez les instructions de lubrification et de changement d'accessoires. Inspectez périodiquement le cordon d'alimentation et, s'il est endommagé, faites-le réparer par un centre d'entretien agréé. Inspectez périodiquement les rallonges électriques et remplacez-les si elles sont endommagées. Maintenez les poignées sèches, propres et exemptes d'huile et de graisse.

14) Débranchez l'outil.

Lorsque vous ne vous servez pas d'un outil, avant de l'entretenir ou pour le changement d'un accessoire, comme une lame, un foret ou un couteau, débranchez l'outil.

15) Enlevez les clés et outils de réglage.

Prenez l'habitude de vérifier que les clés et outils de réglages ont été enlevés de l'outil avant de le mettre en marche.

16) Évitez les démarrages accidentels.

Lorsque vous transportez un outil branché sur une prise d'alimentation, ne laissez pas le doigt à proximité de l'interrupteur. Vérifiez que l'interrupteur est en position Arrêt avant de brancher l'appareil.

17) Utilisez des rallonges électriques d'extérieur.

Lorsque vous utilisez un outil à l'extérieur, n'utilisez que des rallonges électriques conçues pour le travail à l'extérieur.

18) Soyez vigilant.

Faites attention à ce que vous faites. Faites preuve de bons sens. N'utilisez pas un outil si vous êtes fatigué.

19) Vérifiez les pièces endommagées.

Avant toute utilisation ultérieure, vérifiez que toute protection ou autre pièce endommagée va fonctionner correctement et remplir la fonction pour laquelle elle a été conçue. Vérifiez l'alignement et le libre mouvement des pièces mobiles, l'absence de rupture d'une pièce ou d'un organe de fixation et de toute autre condition pouvant affecter l'utilisation de l'appareil. Toute protection ou autre pièce qui se trouve endommagée doit être correctement réparée ou remplacée par un centre de réparation agréé, sauf indication contraire dans ce manuel. Faites remplacer les interrupteurs défectueux par un centre de réparation agréé. N'utilisez pas l'outil si l'interrupteur est incapable de le mettre en marche et de l'arrêter.

20) Avertissement.

L'utilisation de tout accessoire ou élément rapporté autre qu'un de ceux qui sont recommandés dans le présent manuel d'instruction peut présenter un risque de blessure corporelle.

21) Faites réparer l'outil par une personne qualifiée.

Cet appareil électrique répond aux exigences de sécurité en vigueur. Les réparations ne doivent être effectuées que par des personnes qualifiées utilisant des pièces de rechange d'origine. Le non-respect de cette consigne peut entraîner des dangers considérables pour l'utilisateur.

▲ AVERTISSEMENT DANGER ▲

CE SYMBOLE ATTIRE VOTRE ATTENTION SUR D'IMPORTANTES CONSIGNES DE SÉCURITÉ.

LORSQUE VOUS VOYEZ CE SYMBOLE, TENEZ COMPTE DE L'AVERTISSEMENT ! SOYEZ VIGILANT !

▲ AVERTISSEMENT DANGER ▲

POUR RÉDUIRE LES RISQUES D'ACCIDENTS, RESPECTER LES CONSIGNES DE SÉCURITÉ FIGURANT DANS CE MANUEL. LE NON-RESPECT DE CES CONSIGNES PEUT ENTRAÎNER DES DOMMAGES CORPORELS ET MATÉRIELS GRAVES.

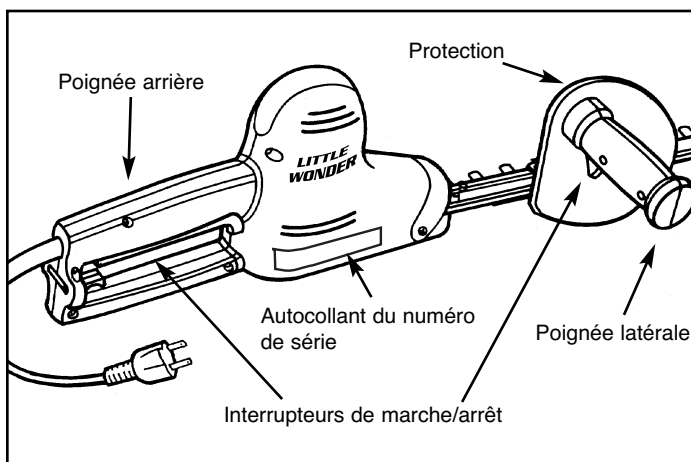
▲ A. AUTOCOLLANTS DE SÉCURITÉ ET SYMBOLES MOULÉS

Des éléments importants du dispositif de sécurité incorporé dans les taille-haies à simple et double tranchant sont les autocollants d'avertissement et d'information et les symboles moulés que l'on retrouve sur différentes parties de l'appareil. Ces autocollants

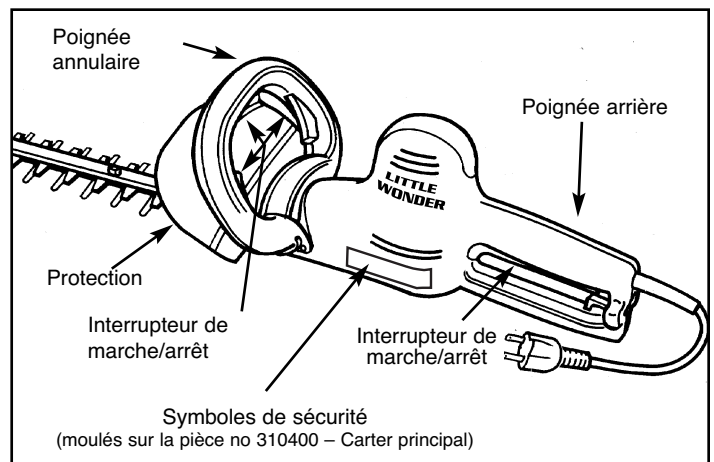
doivent être éventuellement remplacés en raison de leur usure par abrasion ou de toute autre détérioration.

Vous devez remplacer les autocollants ou messages moulés lorsqu'ils deviennent difficiles à lire. Les emplacements de ces éléments de sécurité sont indiqués ci-dessous. Voir à la page 13 leurs numéros de référence pour la commande des pièces de rechange.

Taille-haies à un seul tranchant



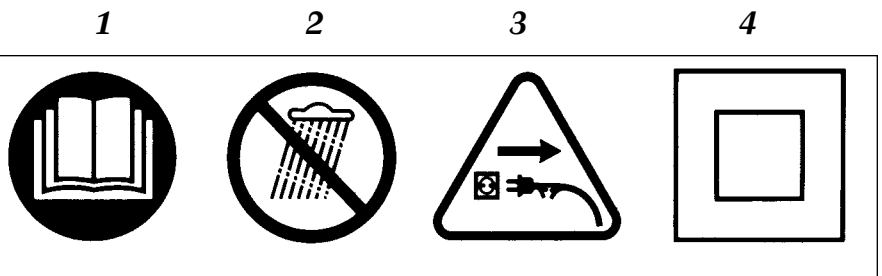
Taille-haies à double tranchant



▲ B. IDENTIFICATION DES SYMBOLES DE SÉCURITÉ

SIGNIFICATION DES SYMBOLES :

1. Lisez les instructions.
2. N'exposez pas à la pluie.
3. Débranchez immédiatement le cordon de la prise électrique s'il est endommagé ou coupé.
4. Double isolement.



▲ AVERTISSEMENT DANGER ▲

SI LE TAILLE-HAIES EST UTILISÉ DE MANIÈRE INAPPROPRIÉE OU SI LES CONSIGNES DE SÉCURITÉ NE SONT PAS SUIVIES, L'UTILISATEUR S'EXPOSE, AINSI QUE D'AUTRES, À UN RISQUE DE BLESSURE GRAVE.

LIRE ET COMPRENDRE LES CONSIGNES DE SÉCURITÉ ET TOUTES LES INSTRUCTIONS DE CE MANUEL.

▲ C. RÈGLES PARTICULIÈRES DE SÉCURITÉ

1. Veuillez lire et comprendre le manuel d'instructions. Accordez une attention particulière à toutes les sections relatives à la sécurité.
2. Gardez toujours une prise ferme sur les deux poignées lorsque les lames bougent et/ou le moteur tourne. Dans le cas d'un appareil à tranchant unique, tenez la poignée latérale avant de la main droite et la poignée arrière de la main gauche. Dans le cas d'un appareil à double tranchant, tenez la poignée annulaire avant d'une main et la poignée arrière de l'autre.
3. **SOYEZ VIGILANT !** Les lames continuent leur mouvement pendant un moment après le relâchement des leviers de commande et l'arrêt du moteur. Assurez-vous que les lames se sont complètement arrêtées avant de relâcher une des poignées.
3. Maintenez une posture stable et un bon équilibre ; restez d'aplomb pendant l'opération de coupe. Avant de commencer à tailler, vérifiez l'aire de travail pour y relever tout obstacle susceptible de vous faire perdre votre posture, l'équilibre ou le contrôle de la machine.
4. Évitez de travailler en présence d'enfants, d'animaux domestiques et de curieux.

▲ D. AVERTISSEMENTS — CE QU'IL NE FAUT PAS FAIRE

N'utilisez pas le taille-haie d'une seule main, gardez les deux mains sur les poignées avec les doigts et les pouces encerclant les poignées pendant que les lames bougent et que le moteur tourne.

Ne vous penchez pas de manière dangereuse et ne montez pas sur des supports instables. Ne montez pas au sommet d'une échelle pendant la taille. Utilisez le matériel adéquat pour atteindre des points élevés. Conservez une bonne posture et un bon équilibre en toute circonstance.

Ne saisissez jamais les lames de coupe.

N'essayez pas de dégager des branches coupées lorsque les lames sont en mouvement ou que le moteur tourne. N'essayez jamais de retirer un objet bloqué avant de mettre le moteur à l'arrêt et de vous assurer que les lames sont complètement arrêtées.

Ne neutralisez pas les dispositifs de sécurité.

Ne laissez pas les enfants ou les personnes non compétentes utiliser cet appareil.

N'utilisez jamais ce taille-haies si vous êtes sous l'influence d'alcool ou de stupéfiants.

N'essayez pas de réparer ce taille-haies. Confiez les réparations à un technicien ou revendeur qualifié. Assurez-vous que seules des pièces **Little Wonder** d'origine sont utilisées.

▲ E. AVERTISSEMENTS — CE QU'IL FAUT FAIRE

Prenez toujours le temps de lire et de respecter toutes les consignes.

Soyez toujours vigilant. Regardez ce que vous faites et faites preuve de discernement. N'utilisez pas l'appareil lorsque vous êtes fatigué.

Habilitez-vous toujours adéquatement. Ne portez pas de bijoux ni de vêtements amples car ils pourraient être happés par les pièces en mouvement. Portez des gants solides, antidérapants et de taille correcte. Les gants réduisent la transmission aux mains des vibrations de la machine. L'exposition prolongée aux vibrations peut causer un engourdissement et d'autres problèmes. Portez des chaussures antidérapantes pour assurer une posture adéquate et sûre.

Portez toujours des lunettes de protection et un casque antibruit. Les lunettes de protection doivent satisfaire à la norme ANSI Z 87.1. Pour éviter les lésions auditives, nous recommandons le port d'un casque antibruit lors de chaque utilisation de l'appareil.

Tenez toujours l'appareil des deux mains lorsqu'il est en marche. Vous pouvez vous blesser gravement en

tenant le taille-haies d'une seule main ou en le tenant mal.

Maintenez toujours les enfants, les animaux domestiques et les personnes incompetentes à l'écart.

Utilisez toujours l'appareil correctement. Ne coupez que les branches dont le type et la dimension sont décrits dans la section Taille de ce manuel. La surcharge ou l'utilisation abusive de ce taille-haies peut causer une défaillance prématurée et des blessures. Faites preuve de bons sens.

Conservez toujours une distance sûre entre vous et les autres personnes lorsque vous ne travaillez pas seul.

Inspectez toujours l'appareil avant chaque utilisation et assurez-vous que toutes les poignées, les protections, les dispositifs de sécurité et les attaches sont bien fixés, en état de marche et en place.

Entretenez et examinez toujours l'appareil avec soin. Suivez les instructions d'entretien données dans le manuel.

Rangez toujours le taille-haies dans un endroit abrité (sec) inaccessible aux enfants. Le taille-haies ne doit pas être rangé à l'intérieur de locaux résidentiels.

III. INSTRUCTIONS DE DÉBALLAGE ET D'ASSEMBLAGE

▲ AVERTISSEMENT DANGER ▲
LES LAMES SONT EXTRÊMEMENT COUPANTES. POUR ÉVITER DE SE BLESSER PENDANT LE DÉBALLAGE DU TAILLE-HAIES, NE PAS LE SAISIR PAR LES LAMES.

Le taille-haies **Little Wonder** a été assemblé pour vous à l'usine. Avant de le faire fonctionner, assurez-vous que toutes les attaches sont bien serrées et que

▲ AVERTISSEMENT DANGER ▲
SI VOUS AVEZ LA MOINDRE QUESTION, N'HÉSITÉS PAS À CONSULTER VOTRE REVENDEUR LOCAL.

tous les protecteurs et les dispositifs de sécurité sont en place et fonctionnent correctement.

IV. MODE D'EMPLOI

▲ AVERTISSEMENT DANGER ▲
L'UTILISATEUR DE CE TAILLE-HAIES EST RESPONSABLE DES ACCIDENTS OU DES DANGERS ENVERS LUI-MÊME, LES AUTRES PERSONNES OU LEURS BIENS.

A. INSTRUCTIONS POUR UNE UTILISATION CORRECTE

▲ AVERTISSEMENT DANGER ▲
LES LAMES CONTINUENT À FONCTIONNER PENDANT UN MOMENT APRÈS LE RELÂCHEMENT DES INTERRUPTEURS.

MAINTENEZ UNE BONNE PRISE EN CONTINUANT À TENIR LES POIGNÉES TANT QUE LES LAMES SONT EN MOUVEMENT OU QUE LE MOTEUR TOURNE.

NE PAS EFFECTUER DE TAILLE DEBOUT AU SOMMET D'UNE ÉCHELLE.

VÉRIFIER QUE L'ÉCHELLE OU TOUT AUTRE SUPPORT UTILISÉ EST STABLE ET REPOSE SUR UN SOL FERME.

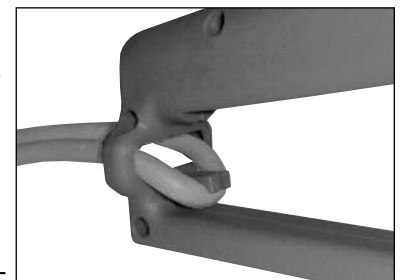
MAINTENIR UN APPUI SÛR.

RESTER D'APLOMB.

SI UN BOURRAGE SE PRODUIT, METTEZ LE TAILLE-HAIES HORS TENSION. S'ASSURER QUE LES LAMES SE SONT COMPLÈTEMENT IMMOBILES AVANT D'ENLEVER L'OBSTRUCTION.

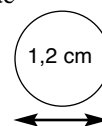
Fixation de la rallonge d'alimentation électrique.

Pliez la rallonge à environ 15 cm de l'extrémité comportant la fiche. Introduisez cette pliure dans l'ouverture ovale à l'arrière de la poignée. Formez ensuite une boucle sous les attaches de retenue de la manière indiquée sur la figure. Ceci empêche la rallonge de se détacher de la fiche d'alimentation du taille-haies.



Une utilisation abusive de ce taille-haies aura pour effet d'annuler la garantie, notamment : la coupe de haies ou d'arbustes dont le diamètre des branches dépasse 1,2 cm ou la coupe d'objets étrangers tels un fil métallique, un caillou ou une clôture. Avant de tailler, vérifiez l'absence d'objets étrangers tels que fils métalliques, cordes, verres, clôtures et cailloux dans la zone de travail. Veillez à éliminer tout objet étranger de l'aire de travail. Un entretien insuffisant du taille-haies aura pour effet d'annuler la garantie.

1. Lisez attentivement les instructions d'entretien et de sécurité avant d'utiliser ce taille-haies. Ne le démarrez pas avant d'en avoir pris une connaissance générale et d'en connaître toutes les commandes et les fonctions.
2. Avant de le brancher sur un circuit électrique, vérifiez que la tension d'alimentation du circuit est conforme à celle qui est indiquée sur l'appareil.
Les modèles 1910, 1920, 2410, 2420, 3010 et 3020 ont une puissance nominale de 464 watts sous une tension de 115 volts.
Les modèles 1912, 1922, 2412, 2422, 3012 et 3022 ont une puissance nominale de 390 watts sous une tension de 230 volts.
3. Assurez-vous que les interrupteurs sont dans la position « Arrêt » (non enfoncés) avant de brancher l'appareil sur un circuit d'alimentation approprié (120 V~ ou 220/240 V~). Lorsqu'il est branché sur une prise d'alimentation, ne transportez pas l'appareil en gardant le doigt sur l'interrupteur.
4. L'alimentation électrique de ce taille-haies doit être fourni par un dispositif d'alimentation à courant résiduel avec intensité de déclenchement ne dépassant pas 30 mA. Ces dispositifs de protection portent également le nom de disjoncteur à courant résiduel et de disjoncteur de mise à la terre.
5. Maintenez la rallonge électrique en arrière du taille-haies. Ne drapez jamais la rallonge électrique sur la haie à tailler. Les appareils fonctionnant sous 120 V utilisent des rallonges de calibre 16 pour des longueurs allant jusqu'à 30 m. Au-delà de 30 m, utilisez des rallonges de calibre 14 ou de résistance inférieure. Des cordons d'alimentation sont disponibles auprès de votre revendeur Little Wonder. L'utilisation de cordons d'alimentation légers pour appareils d'éclairage ou de dimensions inférieures à celles spécifiées ci-dessus provoquerait une perte de puissance, la défaillance possible du moteur, l'échauffement du cordon et des risques d'incendie.
6. Avertissement ! Ce taille-haies a été conçu pour ne fonctionner que lorsqu'il est tenu des deux mains. N'essayez en aucune manière de neutraliser cette importante caractéristique de sécurité.
7. Tenez le taille-haies fermement. Dans le cas d'un modèle à tranchant unique, tenez la poignée latérale de la main droite et la poignée arrière de la main gauche. Dans le cas d'un modèle à double tranchant, vous pouvez tenir les poignées de n'importe quelle main. Appuyez sur les deux interrupteurs.
Inclinez légèrement le taille-haies de telle sorte que la dent de coupe soit inclinée légèrement vers la haie ou le buisson à couper et commencez l'opération de coupe. Utilisez un mouvement de balayage chevauchant en éloignant l'appareil de votre corps pour tailler de façon uniforme et sans danger. L'appareil est conçu pour la coupe de n'importe quel type de haie ou de buisson ; toutefois, le diamètre des branches coupées ne doit pas dépasser 1,2 cm.



V. ENTRETIEN

Débranchez le cordon d'alimentation de la prise avant toute opération de réglage, de réparation ou d'entretien.

A. LUBRIFICATION ET ENTRETIEN

1. Environ toutes les quatre heures d'utilisation normale, placez quelques gouttes d'une huile légère (no 10) sur le bord arrière de chaque lame, au niveau des vis de réglage.
2. Pour éviter les incidents durant la taille, les lames doivent toujours être lubrifiées et propres. La sève qui s'accumule sur les lames peut être enlevée à l'aide d'un mélange à 50 % de kérosène et d'huile no 10. Les produits à base de pétrole pouvant diminuer la durée de vie de certains plastiques, il est nécessaire d'enlever l'excédent du mélange huile-kérosène se trouvant sur les pièces en matière plastique. Les lames doivent être nettoyées avant d'être ajustées. **Attention. – Le kérosène et l'huile sont inflammables.**
3. Quelques gouttes d'une huile légère (no 10) ou de type « 3 en 1 » doivent être placées dans le trou indiqué sur la plaque inférieure du carter. Cette opération n'est nécessaire qu'au début de la journée d'utilisation.
4. Le carter d'engrenages et les roulements du moteur ont été graissés d'une manière permanente à l'aide d'une graisse spéciale qui devrait durer aussi longtemps que l'appareil. Au cours du remplacement des lames ou chaque fois que la plaque inférieure du carter est enlevée, vérifiez que la quantité de graisse présente est correcte (environ au trois-quart plein dans la zone des engrenages) et utilisez un nouveau joint et de nouvelles vis pour assurer une bonne assise de la plaque de carter. N'utilisez que de la graisse Lubrico M3-3K9K (no de réf. 16-78A) dans le carter d'engrenages. Utilisez de la graisse Lubrico M24M (no de réf. 16-78B) pour les roulements du moteur. La graisse Lubrico est disponible auprès de votre revendeur Little Wonder.
5. Avant toute utilisation, inspectez l'appareil pour vous assurer que les poignées, dispositifs de sécurité et organes d'assemblage sont en place et bien serrés et que le cordon d'alimentation n'est pas endommagé. Si le cordon d'alimentation est endommagé, il doit être remplacé par le fabricant, son représentant de service après-vente agréé ou autre personne également qualifiée, afin d'éviter d'introduire un danger dans l'appareil.

B. GUIDE D'ENTRETIEN

Domaine	Entretien	Fréquence
Carter d'engrenages	Vérifier la graisse	Chaque mois
Lames	Inspecter / nettoyer / lubrifier	Après chaque utilisation
Attaches	Inspecter / serrer / remplacer	Avant chaque utilisation
Autocollants	Inspecter / remplacer	Avant chaque utilisation
Poignées	Inspecter / remplacer	Avant chaque utilisation
Protecteurs et dispositifs de sécurité	Inspecter / remplacer	Avant chaque utilisation

IMPORTANT – Les intervalles de temps indiqués sont des intervalles maximaux. L'usage réel et votre propre expérience détermineront les fréquences d'entretien optimales.

VI. ENTRETIEN

A. LOCALISATION DES PANNES

Problème	Cause	Correction
1. Les lames ne coupent pas proprement.	Les lames sont émoussées ou ne sont pas réglées correctement.	Faites affûter et ajuster les lames.
2. Les lames ne bougent pas lorsque l'appareil est mis en marche.	Les lames sont trop serrées.	Réajustez les lames conformément aux consignes de réglage
3. Production excessive d'étincelles par les trous d'aération à la partie supérieure de l'appareil.	Les balais sont usés.	Remplacez les balais en suivant les instructions de réparation.

B. RÉGLAGE DES LAMES

L'entretien et le réglage des lames sont très importants pour un fonctionnement efficace du taille-haies et, en particulier, pour une bonne durée de vie du moteur.

Assurez-vous que le taille-haies n'est PAS branché.

1. Retournez le taille-haies pour le mettre en position tête en bas. À l'aide d'un étau, retenez-le par les côtés de la barre de coupe. **Attention ! Les lames sont coupantes !**
2. À l'aide d'une clé de 7/16 de pouce (11 mm), desserrer tous les contre-écrous de lame et dévisser de deux tours les vis à grosse tête.
3. En commençant par la vis la plus proche du carter d'engrenage, serrez la vis jusqu'à ce que le porte-lame de protection du taille-haies à tranchant

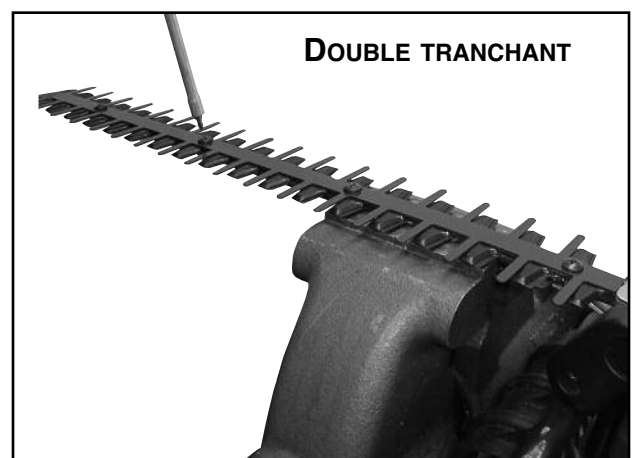
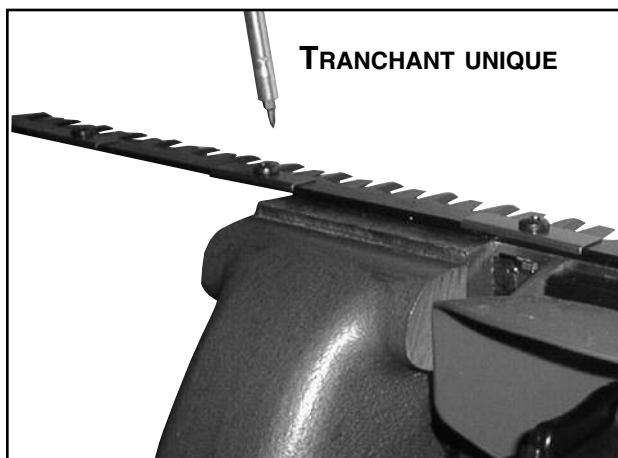
unique ou le peigne de protection du taille-haies à double tranchant puisse tout juste être déplacé avec la pression des doigts. Une jauge d'épaisseur à lame de 0,0015 pouce (1 _ millième de pouce) passe juste sous la barre ou le peigne de protection lorsque le réglage est correct. Serrer les contre-écrous tout en maintenant la vis fixe dans sa position de réglage correcte. Vérifiez de nouveau pour déterminer qu'il est encore possible de déplacer le protège-lame ou le peigne.

4. Répétez l'étape 3 pour chaque vis, jusqu'à ce qu'elles soient toutes correctement ajustées.

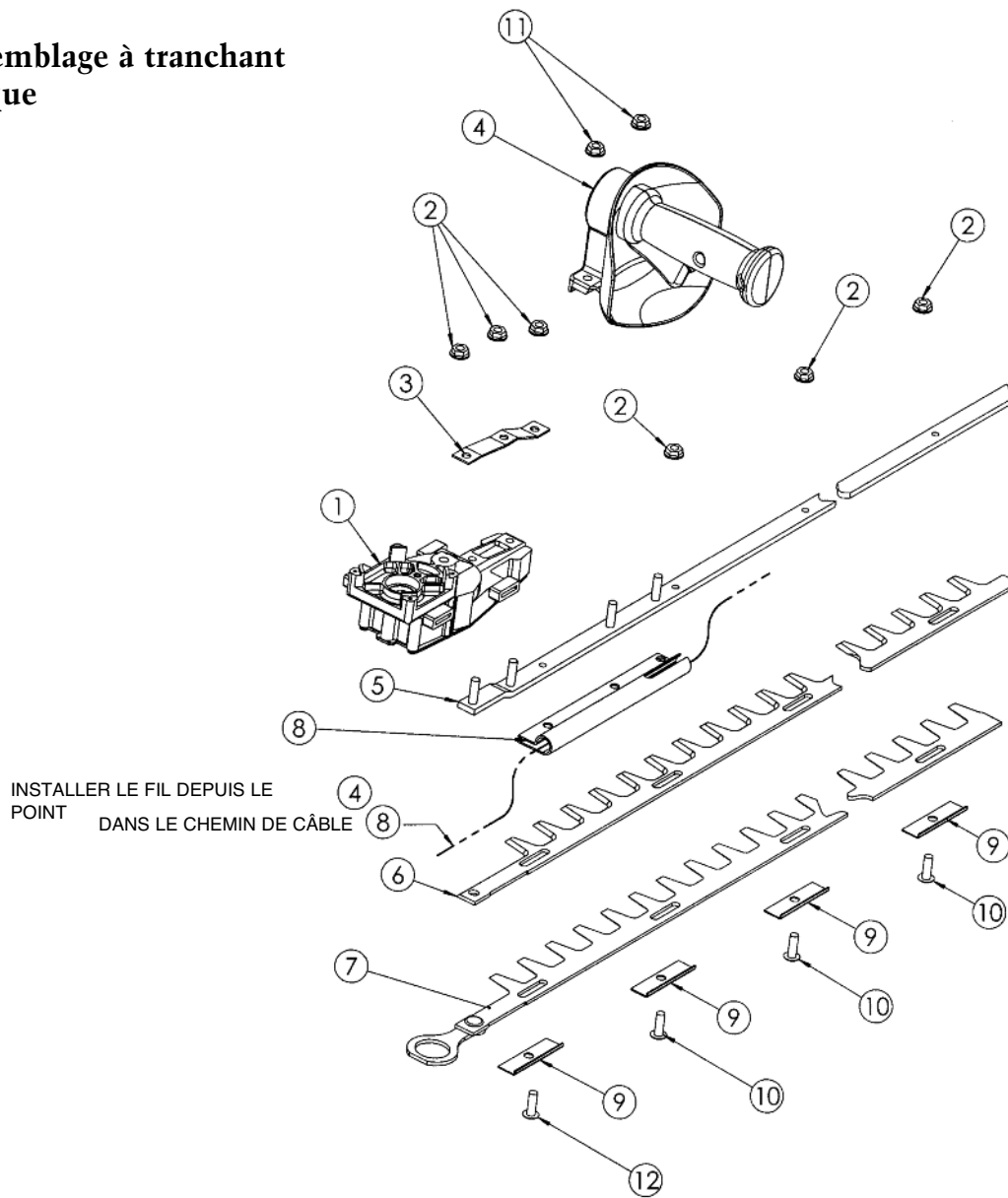
REMARQUE : UN RÉGLAGE CORRECT NE PEUT S'EFFECTUER QUE SUR DES LAMES PROPRES ET HUILÉES.

▲ AVERTISSEMENT DANGER ▲

GARDER LES MAINS À L'ÉCART DES LAMES PENDANT LE RÉGLAGE OU LA RÉPARATION DU TAILLE-HAIES. ASSUREZ-VOUS QU'IL EST SOLIDEMENT FIXÉ, DÉBRANCHÉ ET QUE LES LAMES SONT MUNIES D'UNE PROTECTION PENDANT LES RÉGLAGES.



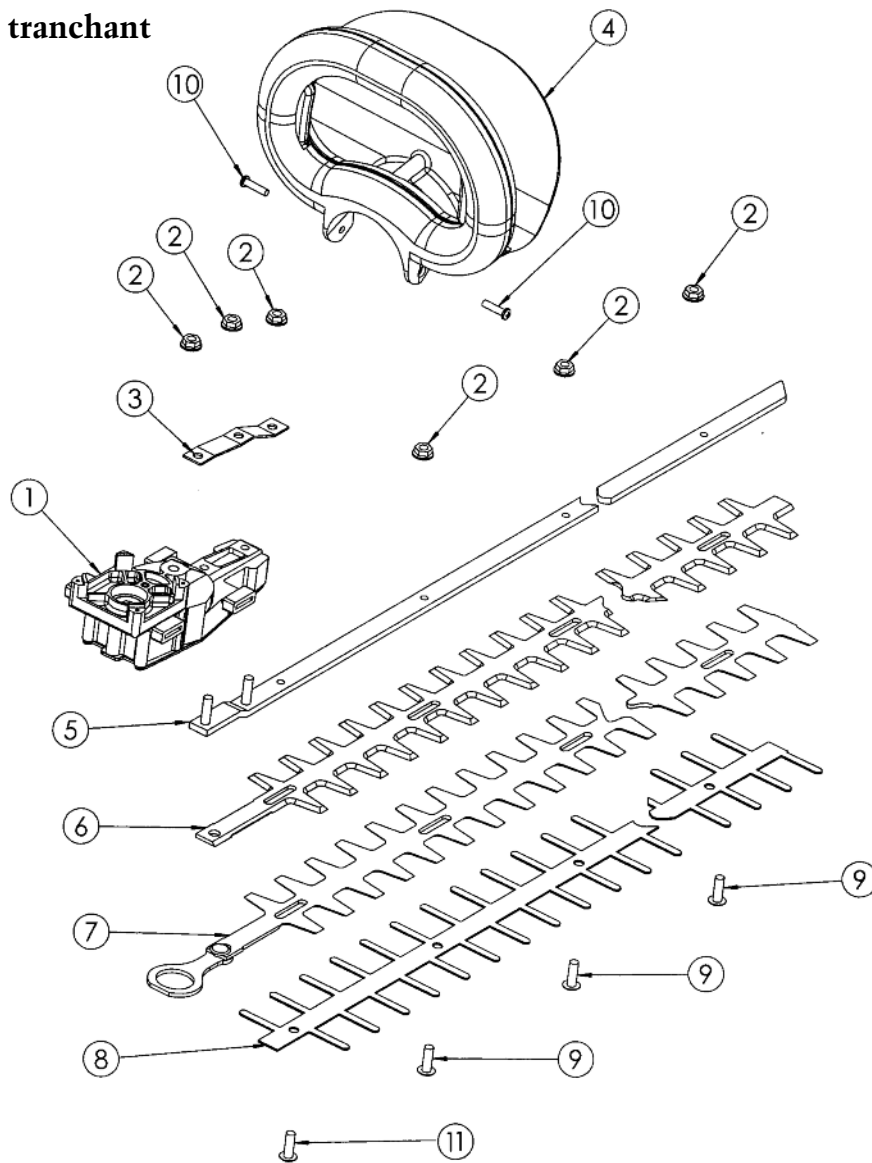
Assemblage à tranchant unique



INSTALLER LE FIL DEPUIS LE
POINT DANS LE CHEMIN DE CÂBLE

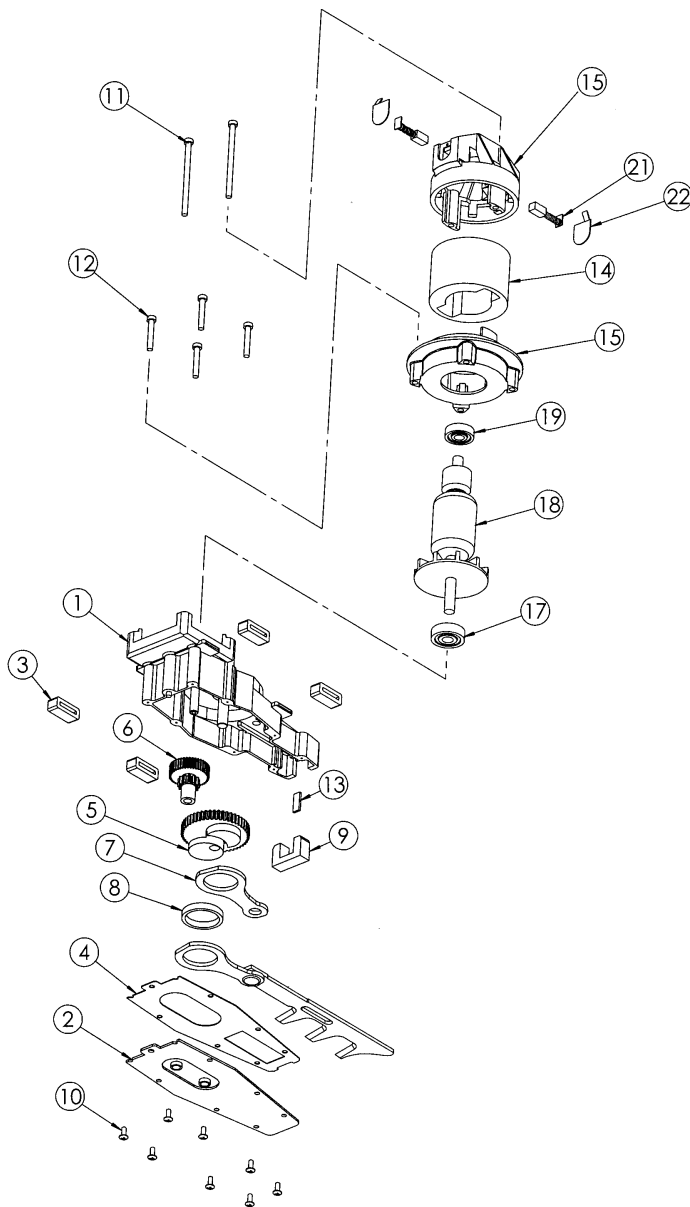
N ^o DE REP.	N ^o DE RÉF.	DESCRIPTION	QTÉ
1	310100	Ensemble carter d'engrenage (y compris les goupilles embouties à la presse)	1
2	16-54B	Écrou de blocage 1/4-28 Whiz Flange (modèles 3010 et 3012) TU de 30"	7
2	16-54B	Écrou de blocage 1/4-28 Whiz Flange (modèles 2410 et 2412) TU de 24"	6
2	16-54B	Écrou de blocage 1/4-28 Whiz Flange (modèles 1910 et 1912) TU de 19"	5
3	310106	Renfort de barre de coupe	1
4	NA	Ensemble poignée latérale (voir numéros de référence individuels)	1
5	310310	Ensemble barre de coupe (modèles 3010 et 3012) TU de 30"	1
5	310305	Ensemble barre de coupe (modèles 2410 et 2412) TU de 24"	1
5	310300	Ensemble barre de coupe (modèles 1910 et 1912) TU de 19"	1
6	30-2	Lame intérieure (modèles 3010 et 3012) TU de 30"	1
6	24-2	Lame intérieure (modèles 2410 et 2412) TU de 24"	1
6	19-2	Lame intérieure (modèles 1910 et 1912) TU de 19"	1
7	30-1	Lame extérieure (modèles 3010 et 3012) TU de 30"	1
7	24-1	Lame extérieure (modèles 2410 et 2412) TU de 24"	1
7	19-1	Lame extérieure (modèles 1910 et 1912) TU de 19"	1
8	310215	Conduit	1
9	16-93	Porte-lame (modèles 3010 et 3012) TU de 30"	5
9	16-93	Porte-lame (modèles 2410 et 2412) TU de 24"	4
9	16-93	Porte-lame (modèles 1910 et 1912) TU de 19"	3
10	16-54A	Vis à large tête cruciforme (modèles 3010 et 3012) TU de 30"	4
10	16-54A	Vis à large tête cruciforme (modèles 2410 et 2412) TU de 24"	3
10	16-54A	Vis à large tête cruciforme (modèles 1910 et 1912) TU de 19"	2
11	3036-B	Contre-écrou à bride 1/4-28	3
12	310505	Vis à large tête 1/4-28 x 1"	1

Ensemble à double tranchant



N ^o DE REP.	N ^o DE RÉF.	DESCRIPTION	QTÉ
1	310100	Ensemble carter d'engrenage (y compris les goupilles embouties à la presse)	1
2	16-54B	Écrou de blocage 1/4-28 Whiz Flange (modèles 3020 et 3022) DT de 30"	7
2	16-54B	Écrou de blocage 1/4-28 Whiz Flange (modèles 2420 et 2422) DT de 24"	6
2	16-54B	Écrou de blocage 1/4-28 Whiz Flange (modèles 1920 et 1922) DT de 19"	5
3	300300	Renfort de barre de coupe	1
4	NA	Ensemble poignée annulaire (voir numéros de référence individuels)	1
5	310325	Ensemble barre de coupe (modèles 3020 et 3022) DT de 30"	1
5	310320	Ensemble barre de coupe (modèles 2420 et 2422) DT de 24"	1
5	310315	Ensemble barre de coupe (modèles 1920 et 1922) DT de 19"	1
6	30-2D	Lame intérieure (modèles 3020 et 3022) DT de 30"	1
6	24-2D	Lame intérieure (modèles 2420 et 2422) DT de 24"	1
6	19-2D	Lame intérieure (modèles 1920 et 1922) DT de 19"	1
7	30-1D	Lame extérieure (modèles 3020 et 3022) DT de 30"	1
7	24-1D	Lame extérieure (modèles 2420 et 2422) DT de 24"	1
7	19-1D	Lame extérieure (modèles 1920 et 1922) DT de 19"	1
8	30-42	Peigne de 76 cm (modèles 3020, 3022) DT de 30"	1
8	24-42	Peigne de 61 cm (modèles 2420, 2422) DT de 24"	1
8	19-42	Peigne de 48 cm (modèles 1920, 1922) DT de 19"	1
9	16-54A	Vis à large tête cruciforme (modèles 3020 et 3022) DT de 30"	4
9	16-54A	Vis à large tête cruciforme (modèles 2420 et 2422) DT de 24"	3
9	16-54A	Vis à large tête cruciforme (modèles 1920 et 1922) DT de 19"	2
10	310500	Vis Plasti-Tite #8 x 3/4"	2
11	310505	Vis à large tête 1/4-28 x 1"	1

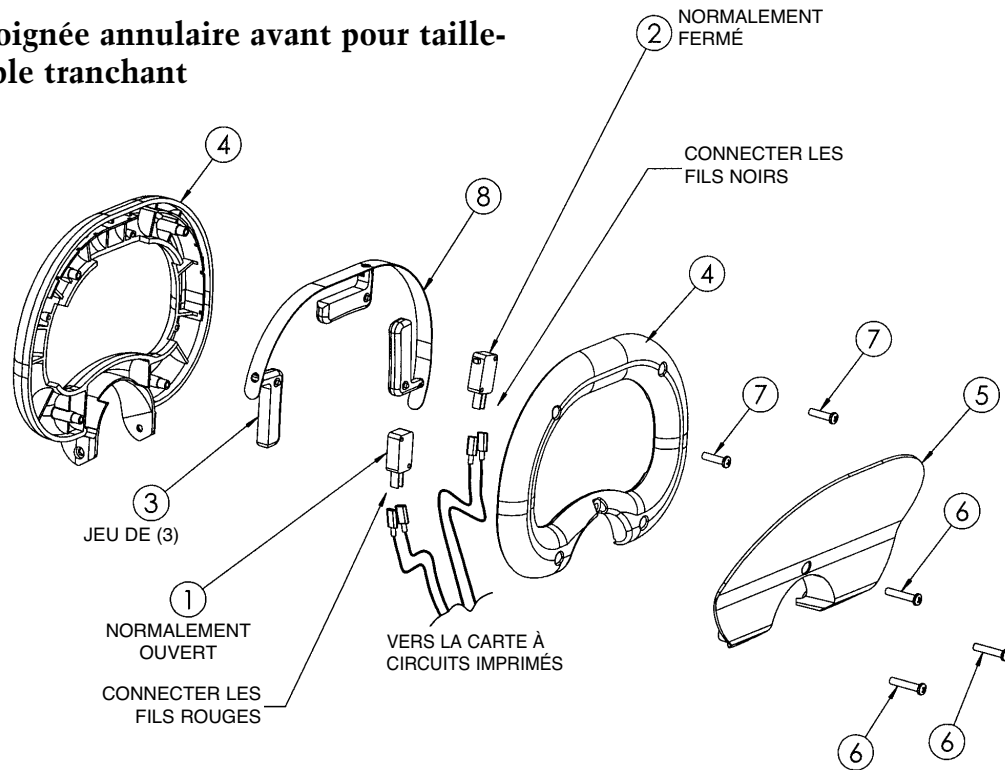
Ensemble réducteur-moteur



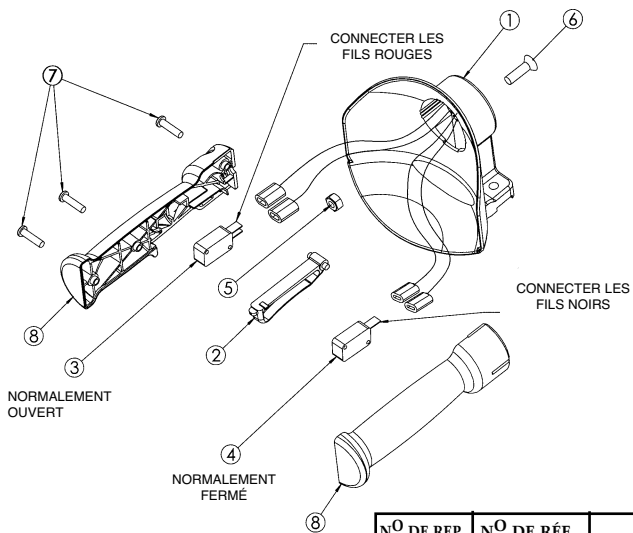
N° DE REP.	N° DE RÉF.	DESCRIPTION	QTÉ.
1	310100	Ensemble carter d'engrenage	1
2	16-57A	Capot du carter d'engrenage	1
3	310407	Guide en caoutchouc	4
4	D16-71	Joint de capot	1
5	310111	Excentrique d'engrenage - (vor remarque)	1
6	310112	Train intermédiaire - (vor remarque)	1
7	16-64	Bielle	1
8	16-65	Bague d'espacement de bielle	1
9	16-67	Feutre	1
10	16-81-1	Vis 6-32 x 5/16	8
11	310503	Boulon de fixation du moteur 8-32 x 2 1/2	2
12	3042	Vis de mécanique	4
13	D16-56F	Plaque d'usure	1
14	310903	Stator 120 V (modèles 3020, 3010, 2420, 2410, 1920 et 1910)	1
14	310900	Stator 230 V (modèles 3022, 3012, 2422, 2412, 1922 et 1912)	1
15	310108	Base du carter de moteur, Couvercle du carter de moteur	1
17	16-69D	Roulement inférieur	1
18	310901	Armature 120 V (modèles 3020, 3010, 2420, 2410, 1920 et 1910)	1
18	310902	Armature 230 V (modèles 3022, 3012, 2422, 2412, 1922 et 1912)	1
19	16-69E	Roulement supérieur	1
20	3025	Porte-balais (non représenté)	2
21	310105	Balai	2
22	3026	Plaque d'arrêt des balais	2

Remarque : les engrenages haute vitesse, la pièce n°310111 doit être utilisée avec la pièce n°310112 ; de même, la pièce n°310112 peut uniquement être utilisée avec la pièce n°310111.

Ensemble poignée annulaire avant pour taille-haies à double tranchant



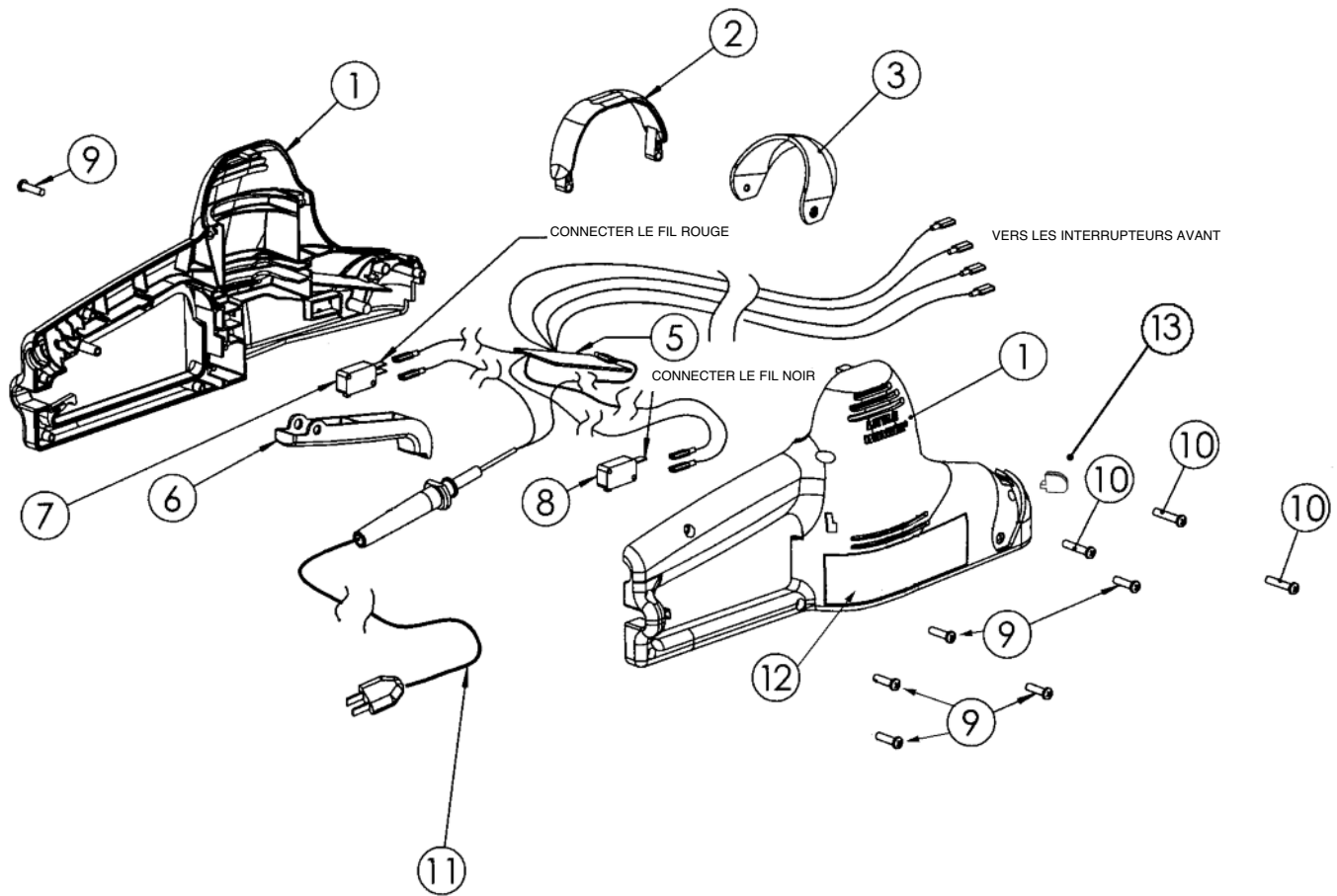
N° DE REP.	N° DE RÉF.	DESCRIPTION	QTÉ
1	3033	Interrupteur normalement ouvert	1
2	310405	Interrupteur normalement fermé	1
3	310219	Jeu de contacts de mise en marche de la poignée annulaire	1
4	310203	Poignée annulaire	1
5	310207	Protection	1
6	310504	Vis Plasti-Tite #8 x 1"	3
7	310500	Vis Plasti-Tite #8 x 3/4"	2
8	310218	Bande de mise en marche de la poignée annulaire	1



Ensemble de la poignée avant du taille-haies à tranchant unique

N° DE REP.	N° DE RÉF.	DESCRIPTION	QTÉ
1	310206	Protection de la poignée latérale	1
2	310210	Détente de la poignée latérale	1
3	3033	Interrupteur normalement ouvert	1
4	310405	Interrupteur normalement fermé	1
5	310502	Contre-écrou Nylock 1/4-28	1
6	310501	Vis de calage à tête plate 1/4-28 x 3/4	1
7	310500	Vis Plasti-Tite #8 x 3/4"	3
8	310200	Coque de poignée latérale	1

Ensemble carter principal



N° DE REP.	N° DE RÉF.	DESCRIPTION	QTÉ.
1	310400	Coque du carter principal	1
2	310403	Capot de carter de la bride d'arrêt des balais	1
3	310404	Capot de carter de la poignée annulaire *	1
5	310420	Carte à circuits imprimés (modèles 3012, 2412 et 1912)	1
5	310419	Carte à circuits imprimés (modèles 3010, 2410 et 1910)	1
5	310406	Carte à circuits imprimés (modèles 3022, 2422 et 1922)	1
5	310408	Carte à circuits imprimés (modèles 3020, 2420 et 1920)	1
6	310209	Boîtier de l'interrupteur arrière de mise en marche	1
7	3033	Interrupteur normalement ouvert	1
8	310405	Interrupteur normalement fermé	1
9	310500	Vis Plasti-Tite #8 x 3/4"	6
10	310504	Vis Plasti-Tite #8 x 1"	3
11	310410	Cordon d'alimentation 120 V	1
11	310412	Cordon d'alimentation 230 V	1
11	310433	Cordon d'alimentation - Canada	1
12	310600	Autocollant d'avertissement	1
13	310217	Passé-câble**	1

* Non présent sur les appareils à double tranchant.

** Non présent sur les modèles à tranchant unique.

VIII. CARACTÉRISTIQUES TECHNIQUES

Modèle	Longueur de coupe en cm (po)	Poids en kg (lb)
1912	48 (19)	3,49 (7,7)
1922	48 (19)	3,89 (8,6)
2412	61 (24)	3,62 (8,0)
2422	61 (24)	4,04 (8,9)
3012	76 (30)	3,85 (8,5)
3022	76 (30)	4,59 (10,1)

Tous les taille-haies mentionnés sont conçus pour une alimentation sous 230 volts à 50 hertz.

La mesure du niveau de pression acoustique pondéré A au poste de l'opérateur est de : $L_{PA} = 80$ dB(A). Ces mesures ont été effectuées conformément à la norme EN ISO 11201:1996 dans des conditions de charge nulle.

La valeur efficace pondérée des vibrations liées à la « maladie des mains blanches » (maladie de Raynaud), mesurée aux poignées conformément à la norme EN 50144-1 section 13.3 sous des conditions nominales et de charge nulle est de $1,0$ m/s².

POLITIQUE DE SERVICE ET GARANTIE LIMITÉE POUR LES TAILLE-HAIES ÉLECTRIQUES

Les taille-haies électriques **LITTLE WONDER** sont garantis contre les vices de matériaux et de main-d'œuvre pendant 2 ANS à compter de la date d'achat lorsqu'ils sont utilisés pour un USAGE RÉSIDENTIEL ou pendant 1 AN lorsqu'ils sont utilisés pour un USAGE COMMERCIAL. Tout taille-haies électrique **LITTLE WONDER** (ou pièce) s'avérant défectueux pendant la période de garantie doit être renvoyé à un revendeur agréé **LITTLE WONDER**.

Les frais de transport des pièces détachées et des appareils renvoyés en vue de leur remplacement dans le cadre de cette garantie incombent à l'acheteur.

LA PRÉSENTE GARANTIE ne couvre pas tout produit ayant fait l'objet d'une utilisation incorrecte, d'une négligence ou d'un accident, ayant été utilisé pour couper des haies ou des arbustes d'un diamètre supérieur à 1,2 cm, ayant été utilisé pour couper des matières étrangères telles que du fil métallique, des cailloux ou des clôtures ou ayant été réparé ou transformé d'une manière qui affecte son état ou son fonctionnement ailleurs que dans notre usine de Southampton ou que chez un revendeur Little Wonder agréé.

LITTLE WONDER décline toute responsabilité en cas de dommages particuliers indirects ou accessoires liés à la défektivité de l'équipement. Aucune garantie implicite, notamment garantie de qualité marchande ou d'aptitude à une fin particulière, ne s'étend au-delà de la période de garantie spécifiée ci-dessus.

LA PRÉSENTE GARANTIE n'est valide que si la carte de garantie et d'enregistrement ci-jointe a été correctement remplie et renvoyée à **LITTLE WONDER**, division de la société Schiller-Pfeiffer, Inc., au moment de l'achat.

Les spécifications, descriptions et illustrations figurant dans le présent document sont correctes au moment de sa publication, mais peuvent changer sans avis préalable.

Fabriqué par :

LITTLE WONDER®

DIVISION OF SCHILLER-PFEIFFER, INCORPORATED

1028 STREET ROAD, P.O. BOX 38

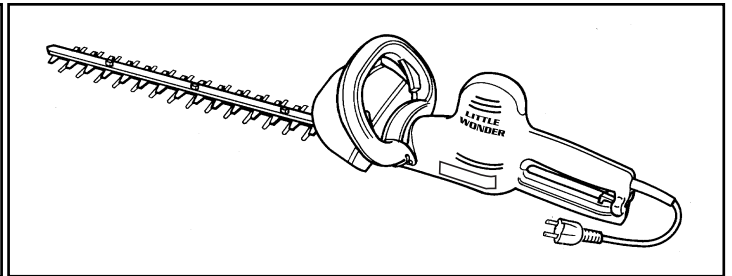
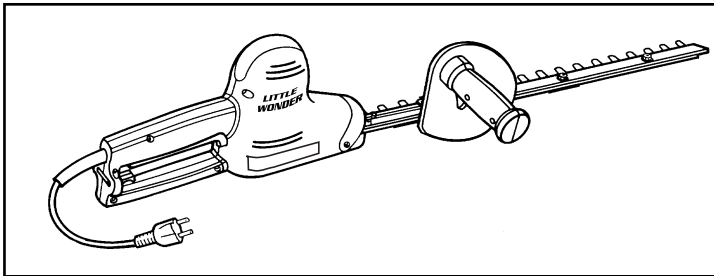
SOUTHAMPTON, PA 18966 ÉTATS-UNIS

TÉLÉPHONE : 215-357-5110 • TÉLÉCOPIEUR : 215-357-8045

©2003, **LITTLE WONDER**, Division Schiller-Pfeiffer, Inc.

P/N 310700
6-03

LITTLE WONDER®



EN

OWNER'S MANUAL and SAFETY INSTRUCTIONS

for *Single Edged (Models 1910, 2410, 3010, 1912, 2412, 3012)*
and *Double Edged (Models 1920, 2420, 3020, 1922, 2422, 3022)*

Electric Hedge Trimmers

▲ WARNING DANGER ▲
BLADES ARE EXTREMELY SHARP.
TO AVOID INJURY WHEN UNPACKING
THE HEDGE TRIMMER,
DO NOT GRASP THE BLADES.

FR

MANUEL DE L'UTILISATEUR et INSTRUCTIONS DE SÉCURITÉ

à *tranchant unique (modèles 1910, 2410, 3010, 1912, 2412 et 3012)*
et à *double tranchant (modèles 1920, 2420, 3020, 1922, 2422 et 3022)*

Taille-haies électriques

▲ AVERTISSEMENT DANGER ▲
LES LAMES SONT EXTRÊMEMENT
COUPANTES. POUR ÉVITER DE SE BLESSER
PENDANT LE DÉBALLAGE DU TAILLE-
HAIES, NE PAS LE SAISIR PAR LES LAMES.

ES

MANUAL DEL PROPIETARIO e INSTRUCCIONES DE SEGURIDAD

para *las unidades con una sola cuchilla (modelos 1910, 2410, 3010, 1912, 2412, 3012)*
y *las unidades con dos cuchillas (modelos 1920, 2420, 3020, 1922, 2422, 3022)*

Podadora de setos eléctrica

▲ ADVERTENCIA PELIGRO ▲
LAS CUCHILLAS ESTÁN
EXTREMADAMENTE FILOSAS. PARA
EVITAR LESIONARSE AL DESEMPACAR LA
PODADORA DE SETOS, EVITE SUJETARLA
POR LAS CUCHILLAS.

ÍNDICE DE MATERIAS

Página

I. INFORMACIÓN IMPORTANTE	
A. Introducción.....	2
II. REGLAS GENERALES DE SEGURIDAD	3
A. Etiquetas engomadas de salvaguardias.....	4
B. Identificación de los símbolos de seguridad.....	4
C. Reglas especiales de seguridad.....	5
D. Advertencias – Nunca.....	5
E. Advertencias – Por hacer	5
III. INSTRUCCIONES PARA DESEMPACARLA Y ENSAMBLARLA	6
IV. OPERACIÓN	
A. Instrucciones para la operación apropiada	6-7
V. MANTENIMIENTO	
A. Lubricación	7
B. Guía del servicio y mantenimiento	7
VI. SERVICIO	
A. Diagnóstico de fallas	8
B. Ajuste de las cuchillas	8
VII. DIAGRAMA DE LOS COMPONENTES	9-13
VII. ESPECIFICACIONES	CONTRAPORTADA
PÓLIZA DE SERVICIO Y GARANTÍA LIMITADOS.....	Contraportada

I. INFORMACIÓN IMPORTANTE

A. INTRODUCCIÓN

En nombre de todos nosotros en **Little Wonder**, quisiéramos darle las gracias por haber adquirido la podadora de arbustos eléctrica **Little Wonder**. Este equipo profesional para podar arbustos, fue diseñado con las normas más altas de la tecnología, para garantizarle muchas horas de servicio ininterrumpido.

Este manual le proporcionará la información necesaria para la operación, servicio eficiente, y segura de este equipo. Antes de operar la podadora de arbustos, y para su propia seguridad, es significativamente importante que lea y entienda el contenido de todo el manual.

II. NORMAS GENERALES DE SEGURIDAD

Advertencia: Durante el uso de las herramientas eléctricas, deberán aplicarse en todo momento las precauciones básicas para su seguridad, que incluyen además la disminución del riesgo de provocar un incendio, exponerse a una descarga eléctrica o lesionarse. Lea y conserve todas estas instrucciones, antes de operar este producto.

Salvaguardas de la operación:

1) Mantenga limpia el área de trabajo.

Las áreas congestionadas y las bancas en los jardines son una invitación a las lesiones.

2) Tome en consideración el medio ambiente en el área de trabajo.

No esponga las herramientas eléctricas a la lluvia. No use las herramientas eléctricas en los lugares húmedos o mojados. Mantenga el área de trabajo bien iluminada. Do not use power tools where there is risk of fire or explosion.

3) Protéjase contra las descargas eléctricas.

Evite que su cuerpo entre en contacto con las tierras físicas o superficies de aterrizado, es decir, las tuberías, radiadores, estufas, refrigeradores.

4) Mantenga alejados a los infantes.

No permita que los curiosos toquen la herramienta ni la extensión del cable. Todos los curiosos deberán ser alejados del área.

5) Almacene las herramientas que no estén en uso.

Cuando no estén en uso, todas las herramientas deberán ser almacenadas en un lugar seco, elevado, o bajo llave, y fuera del alcance de los infantes.

6) No force la capacidad de la herramienta.

Se obtendrán mejores resultados y será más segura si no se excede la capacidad para la cual fue diseñada.

7) Use la herramienta correcta.

No force las herramientas pequeñas ni los accesorios, para hacer las funciones de una herramienta para uso industrial. No use las herramientas para los propósitos que sean diferentes a su diseño, por ejemplo, no use las sierras circulares para cortar ramas o troncos.

8) Vista apropiadamente.

No usar ropa o alhajas holgadas, ya que esta clase de artículos pudiesen ser atrapados por los componentes en movimiento. Se recomienda el uso de guantes y calzado antirresbalante cuando se trabaje en exteriores. Use un dispositivo para proteger e impedir el movimiento del pelo largo.

9) Use gafas de seguridad.

Use una mascarilla cubrepolvo si la operación de corte expulsa mucho polvo.

10) No abuse del cable conductor de electricidad.

Nunca levante la herramienta tirando del cable ni tire del cable para desconectarla del tomacorriente. Mantenga el cable alejado del calor, el aceite y las orillas filosas.

11) Trabaje con seguridad.

Use un tornillo de banco para prensar la barra del armazón mientras ajusta las cuchillas. Esto es más seguro que hacerlo con las manos, además de que deja ambas manos libres para operar las herramientas.

12) No exceda el alcance de sus brazos.

Manténgase en todo momento apoyado firmemente sobre sus pies y mantenga el equilibrio.

13) Mantenga la herramienta con cuidado.

Mantenga las herramientas de corte filosas y limpias para obtener el mejor rendimiento y seguridad. Follow instructions for lubrication and changing accessories. Inspeccione periódicamente el cable de la herramienta. Si presenta algún daño hágalo reparar por conducto de un taller de servicio autorizado. Inspeccione periódicamente las extensiones del cable y sustitúyalo si se ha dañado. Mantenga las empuñaduras secas, limpias y sin contenido de aceite o grasa.

14) Desconecte las herramientas.

Cuando no estén en uso, antes de repararlas o al cambiar los accesorios, como lo son las cuchillas, barrenas y cortadores.

15) Quite las llaves y llaves de tuercas ajustadoras.

Hágase al hábito de verificar si se han quitado las llaves y llaves de tuercas ajustadoras que pudiesen aún permanecer en la herramienta, antes de hacerla funcionar.

16) Evite la marcha no intencional.

Nunca transporte una herramienta conectada a la energía eléctrica con el dedo en el interruptor. Asegúrese de que el interruptor esté en su posición de apagado, antes de conectarla.

17) Use cables de extensión para exteriores.

Cuando las herramientas se utilicen en exteriores, use solamente los cables de extensión diseñados para uso en exteriores.

18) Manténgase alerta.

Vea lo que está haciendo. Use el sentido común. No opere esta herramienta si está cansado.

19) Verifique que no existan componentes dañados.

Antes de proseguir con el uso de esta herramienta, cualquier protector o componente que esté dañado deberá ser cuidadosamente examinado para determinar si su operación será apropiada y que funcione según se ha establecido. Verifique la alineación de todos los componentes en movimiento, los componentes deberán desplazarse sin obstáculos, no deberán existir componentes dañados, que la disposición en general sea la correcta, así como cualesquiera otras circunstancias que pudiesen afectar su operación. Cualquier protector o componente que se haya dañado, deberá ser reparado o sustituido apropiadamente por conducto de un centro de servicio autorizado, salvo que se indique de otra manera en este instructivo. Haga que sean repuestos los interruptores defectuosos por conducto de un taller de servicio autorizado. No use esta herramienta si el interruptor no funciona al ponerse en marcha e interrumpir su funcionamiento.

20) Advertencia:

El uso de cualquier accesorio o aditamento, diferente a aquellos recomendados en este instructivo, pudiesen presentar el riesgo de provocarle una lesión.

21) Haga que su herramienta sea reparada por una persona capacitada.

Esta herramienta eléctrica cumple con los requisitos de seguridad más importantes. Las reparaciones solamente deberán ser hechas por personal capacitado y se deberán utilizar solamente refacciones originales, de otra manera pudiese dar como resultado una situación significativamente peligrosa para el usuario.

▲ ADVERTENCIA PELIGRO ▲

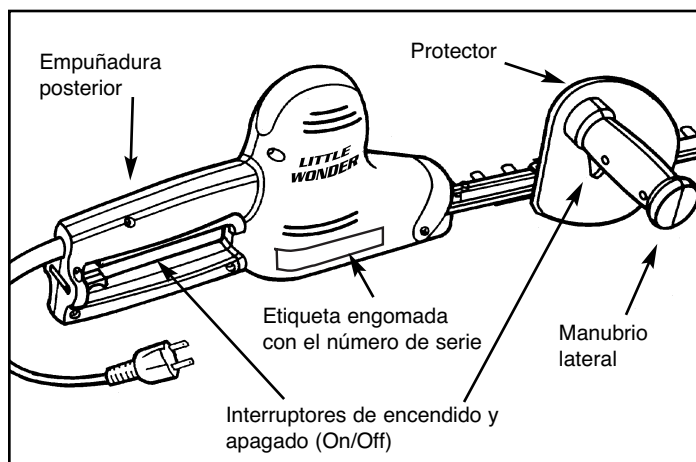
ESTE SÍMBOLO INDICA LAS INSTRUCCIONES IMPORTANTES PARA SU SEGURIDAD.

¡¡RESPECTE LA ADVERTENCIA INDICADA CUANDO VEA ESTE SÍMBOLO!! ¡¡MANTÉNGASE ALERTA!!

▲ A. ETIQUETAS ENGOMADAS Y SÍMBOLOS MOLDEADOS

Los componentes importantes del sistema de seguridad integrado tanto en las podadoras de arbustos de una o doble cuchilla son las etiquetas engomadas de advertencia e información y los símbolos moldeados que se podrán consultar en varios lugares de la podadora. Estas etiquetas engomadas deberán cambiarse

Podadoras con una sola cuchilla



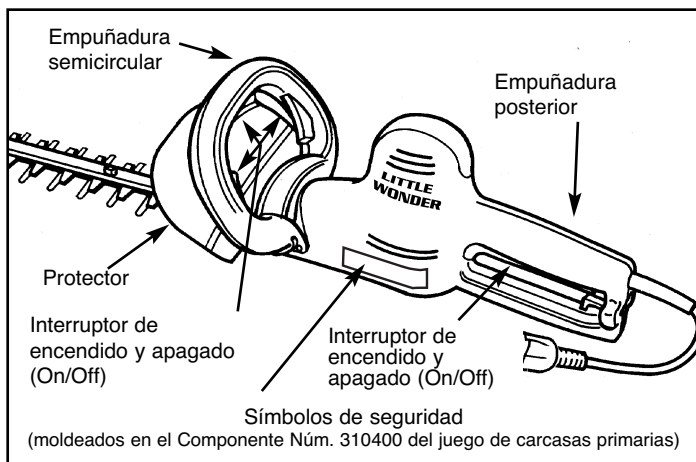
▲ ADVERTENCIA PELIGRO ▲

CUMPLA CON LAS INSTRUCCIONES DE SEGURIDAD MENCIONADAS EN ESTE MANUAL, PARA REDUCIR EL POTENCIAL DE SUFRIR UN ACCIDENTE. OMITIR CUMPLIR CON ESTAS INSTRUCCIONES PUDIERA DAR COMO RESULTADO LESIONES PERSONALES Y/O DAÑAR EL EQUIPO O LOS BIENES DE SU PROPIEDAD.

con el tiempo, debido a los abrasivos, etc.

Queda bajo su responsabilidad cambiar las etiquetas engomadas o las carcasas con advertencias moldeadas cuando estos elementos no sean completamente legibles. Consulte en la página 13 sus números de componentes si desea pedir los repuestos de estos. See page 13 for their part numbers when ordering replacements.

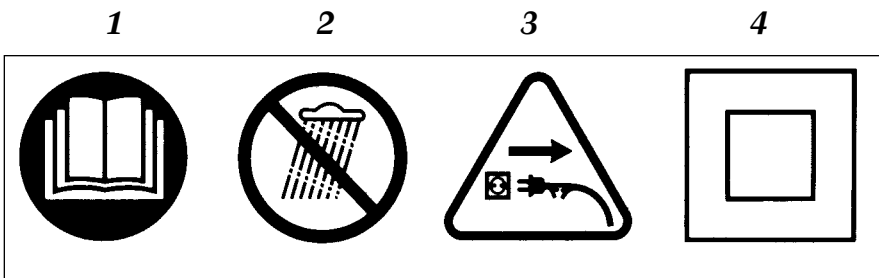
Podadoras con dos cuchillas



▲ B. IDENTIFICACIÓN DE LOS SÍMBOLOS DE SEGURIDAD

SIGNIFICADO DE LOS SÍMBOLOS:

1. Lea las instrucciones.
2. No se exponga a la lluvia.
3. Desconéctela inmediatamente de la fuente primaria (fuente de energía eléctrica) si el cable se ha dañado o ha sido cortado.
4. Aislamiento doble.



▲ ADVERTENCIA PELIGRO ▲

SI ESTA PODADORA SE USA DE MANERA INAPROPIADA, O NO SE RESPETAN LAS PRECAUCIONES DE SEGURIDAD, EL USUARIO ESTARÁ TOMANDO EL RIESGO DE LESIONARSE ÉL MISMO Y A OTRAS PERSONAS.

LEA Y ENTIENDA TODAS LAS REGLAS PARA LA OPERACIÓN SEGURA, ASÍ COMO TODAS LAS INSTRUCCIONES IMPRESAS EN ESTE MANUAL.

C. REGLAS ESPECIALES DE SEGURIDAD



1. Leer y entender el contenido del manual del propietario. Prestarle atención particularmente a todas las secciones relacionadas con la seguridad.
2. Mantener siempre la podadora firmemente sujeta con ambas empuñaduras, mientras las cuchillas están en movimiento y/o cuando el motor esté funcionando. En las unidades con una sola cuchilla, la mano derecha deberá sujetar la empuñadura delantera lateral, y con la mano izquierda sujetar la empuñadura posterior. En las unidades con dos cuchillas, una de sus manos deberá sujetar la empuñadura de "rizo", y con la otra mano sujetar la empuñadura posterior.
3. Manténgase firmemente apoyado sobre sus pies, y bien equilibrado, mientras poda los arbustos; no exceda el alcance de sus brazos. Antes de iniciar las labores de podar los arbustos, verifique que en el área no existan obstáculos que pudieran ser la causa de un tropiezo, perder el equilibrio o el control del equipo.
4. Mantenga a los infantes, mascotas y curiosos alejados del área de trabajo.

D. ADVERTENCIAS — NUNCA

Nunca operar la podadora con una sola mano. Mantenga ambas manos en las empuñaduras, con los dedos y pulgares rodeando ambas empuñaduras, mientras que las cuchillas están en movimiento y el motor está en marcha.

No intentar estirarse más allá de su alcance ni apoyarse sobre un objeto inestable. No hacer sus labores de podar los arbustos si está en la parte superior de una escalera. Use el equipo apropiado para poder alcanzar los arbustos en las alturas. Manténgase en todo momento bien apoyado sobre sus pies.

No detener las cuchillas por cualquier razón.

Nunca intente despejar del área el material cortado mientras las cuchillas están en movimiento y el motor

¡¡MANTÉNGASE ALERTA!! Las cuchillas continúan girando después de haber liberado el gatillo, o al interrumpir la marcha del motor. Asegúrese de que las cuchillas se hayan detenido completamente, antes de soltar cualesquiera de las empuñaduras.

3. Manténgase firmemente apoyado sobre sus pies, y bien equilibrado, mientras poda los arbustos; no exceda el alcance de sus brazos. Antes de iniciar las labores de podar los arbustos, verifique que en el área no existan obstáculos que pudieran ser la causa de un tropiezo, perder el equilibrio o el control del equipo.
4. Mantenga a los infantes, mascotas y curiosos alejados del área de trabajo.

en marcha. **Nunca** trate de extraer los desperdicios antes de apagar el motor y cerciorarse que las cuchillas se hayan detenido completamente.

No nulificar las características de seguridad.

No permitir que los infantes o las personas operen esta podadora, si no tienen la capacidad para hacerlo.

No operar esta podadora de arbustos si está bajo los efectos de las bebidas alcohólicas, o drogas de alguna índole.

No hacer el intento de reparar esta podadora de arbustos. Preocuparse que las reparaciones sean hechas por un distribuidor o reparador calificado. Cerciórese de que solamente se utilicen componentes genuinos **Little Wonder**.

E. ADVERTENCIAS — POR HACER

Hacer lo que se le haya indicado al leer las instrucciones.

Mantenerse alerta en todo momento. Observar lo que está haciendo y usar el sentido común. No opere este equipo si está fatigado.

Vestir siempre con la indumentaria apropiada. No usar ropa holgada ni alhajas, ya que estos artículos pudieran ser atrapados por los componentes en movimiento. Usar siempre guantes antideslizantes, reforzados y bien ajustados. Los guantes reducen la transmisión de la vibración en sus manos. La exposición prolongada a la vibración, puede provocar adormecimiento en las manos y otras molestias. Calzar siempre zapatos que le proporcionen una posición firme y apropiada.

Usar en todo momento la protección para los ojos y los oídos. La protección de la vista deberá cumplir con la norma ANSI Z 87.1. Cuando use este equipo, y para evitar lesionarse los oídos, le recomendamos usar la protección adecuada.

Hacer que ambas manos estén colocadas en los manubrios, mientras la podadora está en funcionamiento. Intentar sostener y usar la podadora de arbustos con una sola mano, o no sostenerla

firmente con ambas manos, pudiera dar como resultado sufrir lesiones graves.

Hacer que los infantes, las mascotas y las personas incapacitadas se mantengan alejadas.

Hacer uso de esta podadora con toda propiedad. Cortar solamente los arbustos del tipo y tamaño que se han descrito en la sección de "Podado" mencionada en este manual. La carga excesiva o abuso de la podadora de arbustos pudiera causar fallas prematuras y resultar en lesiones al operario. Use el sentido común.

Hacer que dos o más operarios estén a una distancia segura cuando ambos operen equipos de manera simultánea.

Hacer que su unidad sea inspeccionada antes de usarla, y asegurarse de que todos los manubrios, guardas, dispositivos de seguridad y sujetadores estén apretados, funcionando adecuadamente y en su lugar.

Mantener y examinar siempre y cuidadosamente su podadora. Seguir las instrucciones mencionadas en este manual.

Hacer que la podadora sea conservada en un área protegida (en un lugar seco), y que no esté al alcance de los infantes. La podadora de arbustos nunca deberá ser almacenada en el interior de una casa.

III. INSTRUCCIONES PARA DESEMPACARLA Y ENSAMBLARLA

▲ ADVERTENCIA PELIGRO ▲
LAS CUCHILLAS ESTÁN
EXTREMADAMENTE FILOSAS. PARA
EVITAR LESIONARSE AL DESEMPACAR
LA PODADORA DE ARBUSTOS, EVITE
SUJETARLA POR LAS CUCHILLAS.

Su podadora de arbustos **Little Wonder** ha sido previamente ensamblada en la fábrica. Antes de operarla asegúrese de que todos los dispositivos

▲ ADVERTENCIA PELIGRO ▲
SI TUVIESE ALGUNA DUDA,
COMUNÍQUESE CON SU
DISTRIBUIDOR EN SU LOCALIDAD.

sujetadores estén firmemente apretados y que los dispositivos de seguridad estén su posición y funcionando apropiadamente.

IV. OPERACIÓN

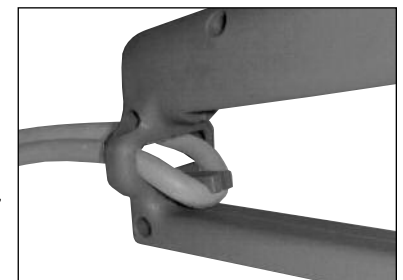
▲ ADVERTENCIA PELIGRO ▲
EL OPERARIO DE ESTA PODADORA DE ARBUSTOS ES
RESPONSABLE DE LOS ACCIDENTES O PELIGROS A QUE SE
EXPONGA ÉL MISMO, OTRAS PERSONAS, O BIENES
DE SU PROPIEDAD.

A. INSTRUCCIONES PARA SU OPERACIÓN APROPIADA

▲ ADVERTENCIA PELIGRO ▲
LAS CUCHILLAS SEGUIRÁN EN
MOVIMIENTO DESPUÉS DE LIBERAR LOS
INTERRUPTORES.
MANTÉNGALA SUJETADA FIRMEMENTE
CON CADA UNA DE LAS MANOS EN CADA
EMPUÑADURA, MIENTRAS LAS
CUCHILLAS ESTÉN EN MOVIMIENTO Y/O
EL MOTOR ESTÉ EN MARCHA.
NO SE PARE EN LA PARTE SUPERIOR DE
UNA ESCALERA MIENTRAS HACE LAS
LABORES DE PODAR LOS ARBUSTOS.
ASEGÚRESE DE QUE SU ESCALERA O
CUALQUIER OTRO MEDIO DE APOYO SEA
ESTABLE Y ESTÉ FIRMEMENTE APOYADO
SOBRE LA SUPERFICIE DEL SUELO.
MANTÉNGASE BIEN APOYADO
SOBRE SUS PIES.
NO INTENTE EXTENDER EL ALCANCE DE
SUS BRAZOS.
SI SU PODADORA DE ARBUSTOS SE
LLEGASE A ATASCAR, INTERRUMPA LA
ENERGÍA ELÉCTRICA DE LA PODADORA.
ASEGÚRESE DE QUE LAS CUCHILLAS SE
HAYAN DETENIDO TOTALMENTE. AHORA,
EXTRAIGA CUALQUIER OBSTRUCCIÓN.

Colocación firme del cable de la extensión.

Doble el extremo del cable de la extensión a una longitud de 15 cm. Empuje el doblez a través de la abertura rectangular en la parte posterior del manubrio. Ahora, haga que el doblez esté debajo del sujetador del cable, como se ilustra. Esto evitará que el cable de la extensión se desconecte del conector de la podadora de arbustos.



El uso inapropiado de esta podadora de arbustos anulará la garantía. Es decir: por cortar arbustos o arbustos que excedan un diámetro de 1.2 cm u objetos extraños como los son cables, rocas, o cercas. Antes de podar un área, examínela cuidadosamente y elimine los objetos extraños como lo son los cables, sogas, vidrios, cercas, o rocas. Asegúrese de haber eliminado cualesquiera objetos en el área en donde trabajará. Omitir darle el mantenimiento apropiado a esta podadora de arbustos, invalidará la garantía.

1. Lea cuidadosamente las instrucciones de conservación y seguridad, antes de intentar utilizar esta podadora. Solamente después de que usted se haya familiarizado con su podadora de arbustos, todos sus controles y funcionamiento, podrá hacerla funcionar.
2. Antes de conectarla a un circuito eléctrico, asegúrese de que el abastecimiento del voltaje sea igual al especificado en la podadora.
*Los modelos 1910, 1920, 2410, 2420, 3010 y 3020 están clasificados con un vatiaje de 464 vatios y a 115 voltios.
Los modelos 1912, 1922, 2412, 2422, 3012 y 3022 están clasificados con un vatiaje de 390 vatios y a 230 voltios.*
3. Asegúrese de que todos los interruptores estén en la posición de apagado (Off) (sin estar oprimidos), antes de conectar la unidad a la corriente eléctrica correspondiente. (120V CA o 220V/240V CA.) Nunca transporte la podadora conectada a la energía eléctrica y con el dedo en el interruptor.
4. La electricidad que deberá abastecer a esta podadora de arbustos solamente deberá ser a abastecida a través de un dispositivo de corriente alterna residual (RCD) con una capacidad de disparo de corriente que no sea superior a los 30 mA. A estos dispositivos protectores también se les conoce como interruptores de corriente alterna residual (RCCB) o interruptores de filtración de tierra física (ELCB).
5. Mantenga el cable de extensión detrás de la podadora. Nunca enrede el cable de extensión por encima del arbusto que será podado. En las unidades con 120V, use la extensión del cable calibre 16 y hasta una distancia

máxima de 100 pies (30 m). Si la distancia supera los 100 pies (30 m) use un cable o una extensión del cable calibre 14 o más grueso. Estos cables están a su disposición a través del distribuidor Little Wonder en su localidad. El uso de cables con un calibre más delgado y para uso en lámparas, o con espesores más delgados a los especificados anteriormente, pudiese dar como resultado la pérdida de la potencia, fallas en el motor, sobrecalentamiento del cable y la posibilidad de provocar un incendio.

6. ¡Advertencia! Estas podadoras han sido diseñadas de manera que solamente puedan operarse con el uso de ambas manos. No intente de ninguna manera modificar esta importante característica de seguridad.
7. Sostenga la podadora con firmeza. En los modelos con una sola cuchilla, mantenga la mano derecha en la empuñadura lateral y la mano izquierda en la empuñadura posterior. En los modelos con dos cuchillas, usted podrá colocar cualquiera de sus manos en cualesquiera de las empuñaduras. Oprima ambos interruptores.

Incline la podadora de manera que los dientes estén inclinados ligeramente en un ángulo hacia el arbusto o seto y proceda con el corte. Para lograr cortes seguros y homogéneos, hágalo con movimientos traslapados y de barrido, manteniéndolos hacia afuera de su cuerpo. Esta unidad ha sido diseñada para cortar cualquier clase de arbusto o seto, no obstante lo anterior, el espesor del arbusto o seto a cortar no deberá exceder 1/2 pulg. (1.2 cm) de diámetro.



V. MANTENIMIENTO

Desconecte el cable de la fuente de la corriente eléctrica, antes de ejecutar cualquier ajuste, servicio, o mantenimiento.

A. LUBRICACIÓN Y MANTENIMIENTO

1. Aplique unas cuantas gotas de lubricante ligero (#10) en el extremo de la parte posterior de la cuchilla precisamente en cada tornillo ajustador, después de aproximadamente cada cuatro horas de operación normal.
2. Si desea obtener los mejores resultados de sus labores de podado, será necesario mantener las cuchillas limpias y lubricadas. La sabia de los arbustos que se adhiere y acumula en las cuchillas podrá ser eliminada con una mezcla de 50 partes de keroseno, por cada 50 partes de aceite ligero del número 10. Debido a que los productos derivados del petróleo pudiesen acortar la vida útil de algunos plásticos, será necesario eliminar de los componentes de material plástico cualquier exceso de la mezcla de aceite y keroseno. Antes de ajustar las cuchillas, estas deberán limpiarse. **¡Cuidado! El keroseno y el aceite son inflamables.**
3. Aplique unas cuantas gotas de aceite lubricante (#10) o 3 en 1, en cada una de las aceiteras indicadas en la placa de la cubierta inferior. Esto será necesario solamente al inicio del día en la que será operada.
4. La carcasa de la transmisión y los cojinetes del motor han

sido lubricados permanentemente con una grasa especial que deberá durar por lo menos durante la vida útil de la podadora. Al reemplazar las cuchillas, o al extraer en cualquier otro momento la placa de la cubierta inferior, deberá verificarse que el contenido de grasa sea el correcto (aproximadamente _ partes llena el área de los engranajes), y deberán instalarse una nueva junta y tornillos nuevos, para asegurarse de que la placa de la cubierta se haya asentado apropiadamente. Use únicamente la grasa lubricante Lubrico M3-3K9K (Núm. de componente 16-78A) en la carcasa del engranaje. La grasa lubricante Lubrico M24M (Núm. de componente 16-78B) deberá utilizarse en los cojinetes del motor. La grasa Lubrico está a su disposición con el distribuidor Little Wonder en su localidad.

5. Antes de cada uso inspeccione, para su propia seguridad, que las empuñaduras, los dispositivos de seguridad, y sujetadores estén en su lugar apropiado y que el cable no esté raído. Si el cable que abastece la corriente eléctrica está dañado, este deberá ser cambiado por el fabricante, su agente de servicio o personal calificado similar, para evitarse riesgos innecesarios.

B. GUÍA DEL SERVICIO Y MANTENIMIENTO

Área	Mantenimiento	Frecuencia
Carcasa del engranaje	Verifique la cantidad de grasa	Mensualmente
Cuchillas	Inspecciónelo / Límpiolo	Después de cada uso
Sujetadores	Inspecciónelo / Sustitúyalo	Antes de cada uso
Etiquetas engomadas	Inspecciónelo / Sustitúyalo	Antes de cada uso
Manubrios	Inspecciónelo / Sustitúyalo	Antes de cada uso
Guardas / Dispositivos de seguridad	Inspecciónelo / Sustitúyalo	Antes de cada uso

IMPORTANTE – Los intervalos de tiempo indicados son los máximos. El uso palpable y su experiencia determinarán la frecuencia con la que se necesitarán las labores de mantenimiento indicadas.

VI. SERVICIO

A. CORRECCIÓN DE POSIBLES AVERÍAS

Problema	Causa	Remedio
1. Las cuchillas no cortan los arbustos eficientemente.	Las cuchillas están desafiladas o no están ajustadas apropiadamente.	Haga que se afilen y ajusten las cuchillas.
2. Las cuchillas no se mueven al poner en marcha el motor.	Las cuchillas están demasiado ajustadas.	Reajuste las cuchillas siguiendo las instrucciones de servicio.
3. Arcos voltaicos excesivos procedentes de las ventilas en la parte superior de la podadora.	Escobillas desgastadas	Reemplace las escobillas – siga las instrucciones de servicio.

B. AJUSTE DE LAS CUCHILLAS

El cuidado y ajuste de las cuchillas es un elemento muy importante para la eficacia del funcionamiento de la podadora y especialmente para conservar la vida útil del motor.

Asegúrese de que la podadora NO esté conectada a la energía eléctrica.

1. Invierta la podadora por su lado contrario. Coloque la podadora en un tornillo de banco, aprisione los costados de la barra. **¡Tenga cuidado! ¡Las cuchillas están filosas!**
2. Con el uso de una llave de tuercas de 7/16 pulg. (11 mm, afloje las contratueras de las cuchillas y destornille solamente dos vueltas completas los tornillos grandes.
3. Empezando con el tornillo más cercano a la carcasa del engranaje, apriete el tornillo hasta que la guarda

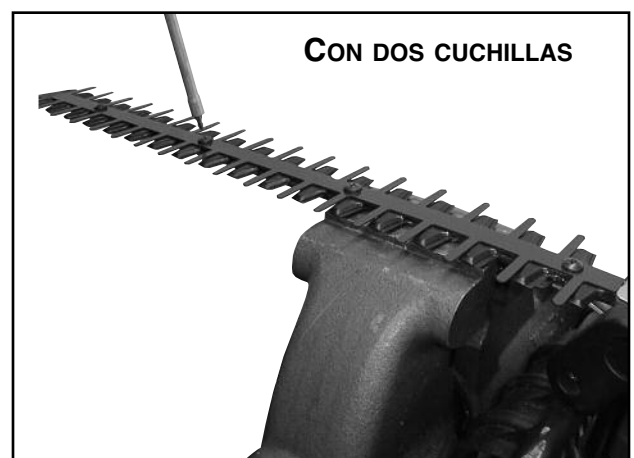
de la cuchilla de la podadora de arbustos, o el peine protector de la podadora de arbustos con dos cuchillas puedan ser desplazados con la fuerza de los dedos. (Cuando una laminilla de espesores de .0015 pulg (1 1/2 milésimas) se deslice apenas por debajo de la guarda de la cuchilla o el peine una vez ajustados apropiadamente.) Apriete las contratueras mientras sostiene el tornillo fijo en su posición de ajuste correcta. Vuelva a verificar que la guarda de la cuchilla o el peine aún puedan desplazarse fácilmente.

4. Repita el paso 3 en cada uno de los tornillos hasta que todos estén ajustados correctamente.

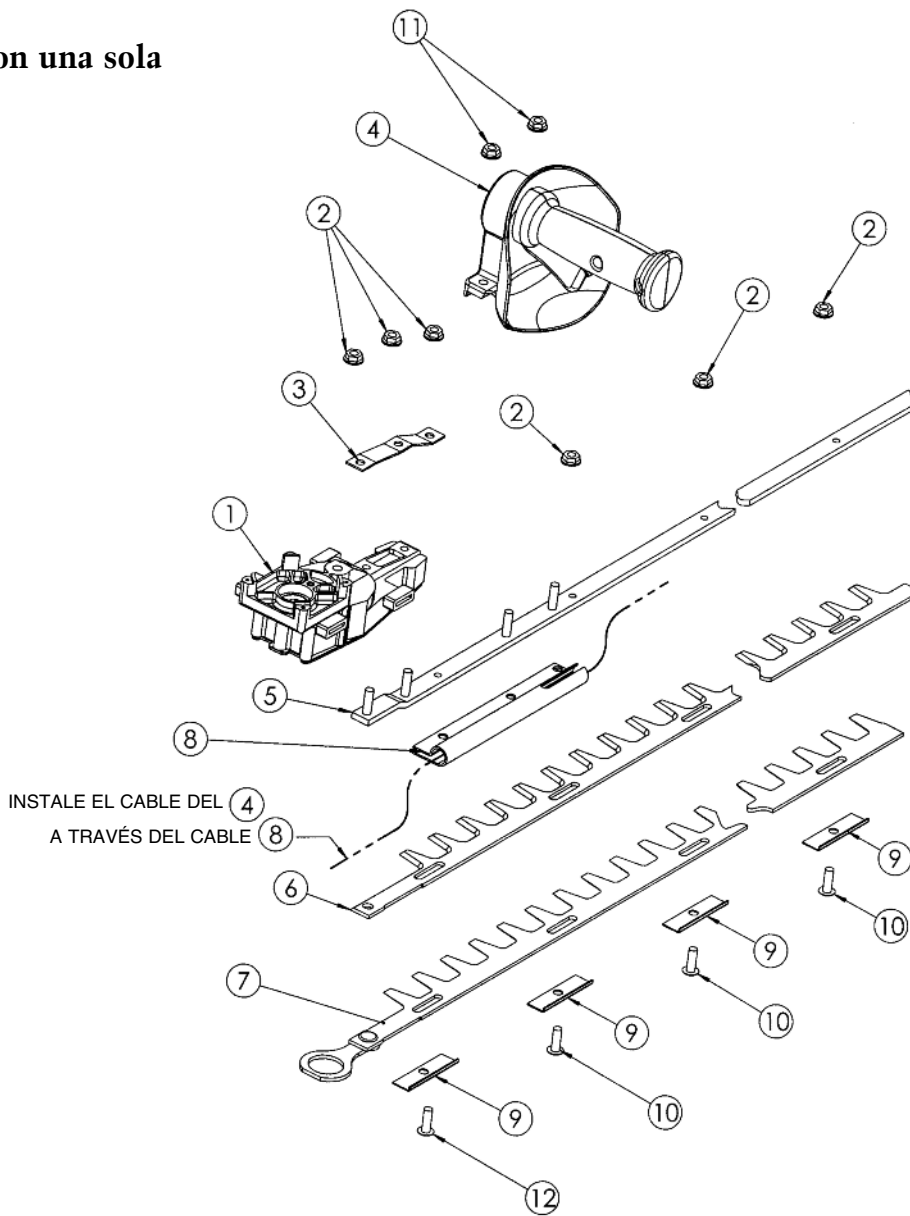
AVISO: EL AJUSTE CORRECTO DE LA CUCHILLAS SOLAMENTE PODRÁ LOGRARSE SI LAS CUCHILLAS ESTÁN LIMPIAS Y LUBRICADAS.

▲ ADVERTENCIA PELIGRO ▲

MANTENGA LAS MANOS ALEJADAS DE LAS CUCHILLAS, MIENTRAS REPARA LA PODADORA DE ARBUSTOS. MIENTRAS HACE LOS AJUSTES CORRESPONDIENTES, ASEGÚRESE DE QUE LA PODADORA ESTÉ FIRMEMENTE INMOVILIZADA, DESCONECTADA, Y LAS CUCHILLAS ESTÉN CUBIERTAS.

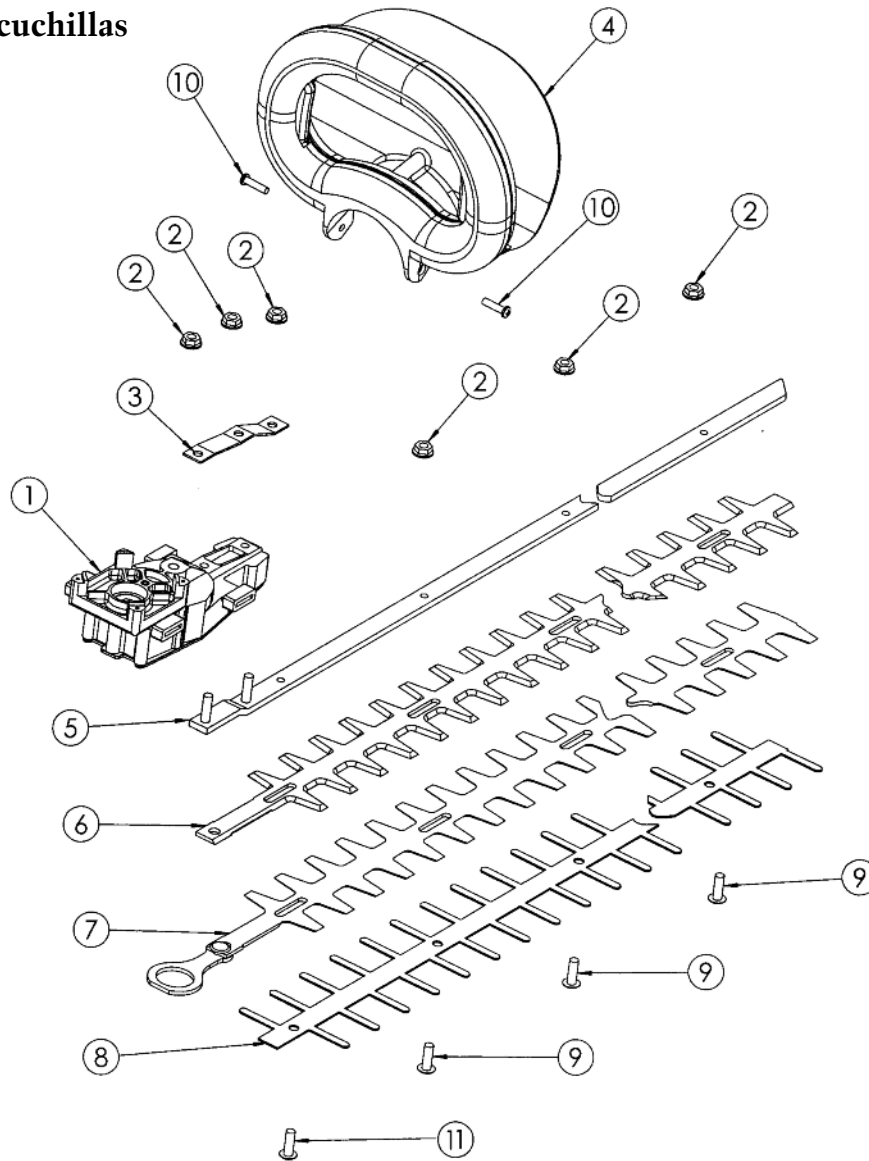


Ensamble con una sola cuchilla



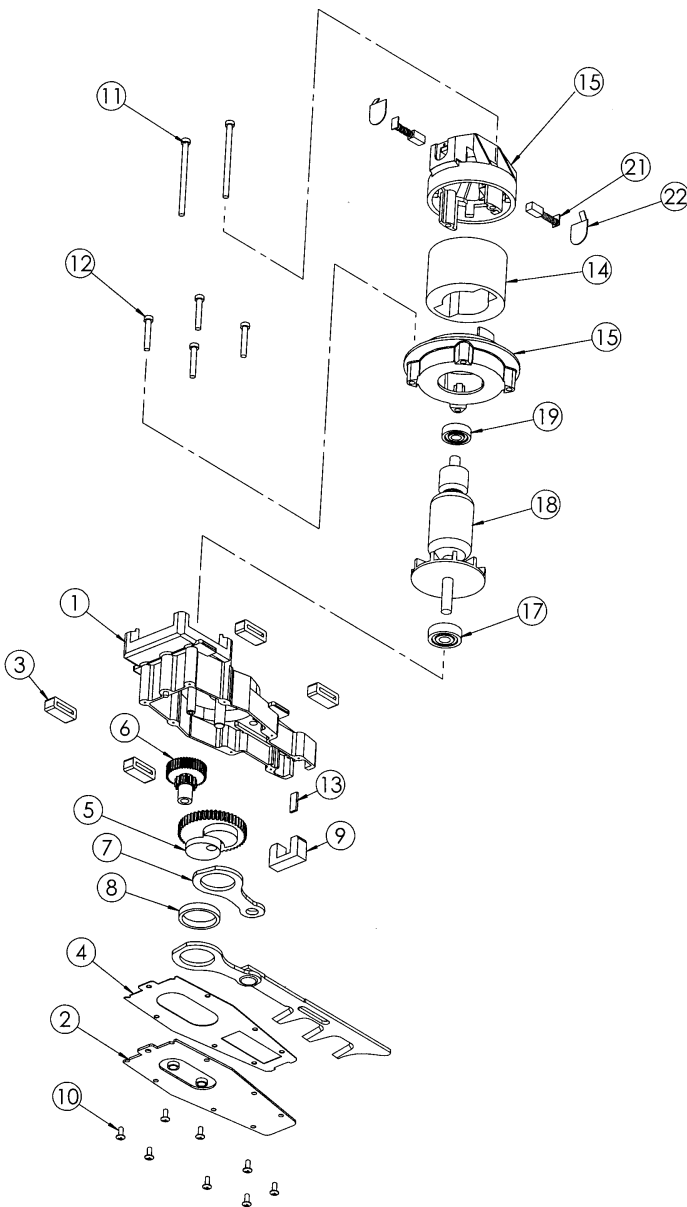
CLAVE #	COMP. #	DESCRIPCIÓN	CANT.
1	310100	Ensamble de la carcasa del engranaje (incluye los pasadores a presión)	1
2	16-54B	Tuerca bloqueante 1/4-28 brida Whiz (en los modelos 3010, 3012) 30" SE	7
2	16-54B	Tuerca bloqueante 1/4-28 brida Whiz (en los modelos 2410, 2412) 24" SE	6
2	16-54B	Tuerca bloqueante 1/4-28 brida Whiz (en los modelos 1910, 1912) 19" SE	5
3	310106	Soporte de la barra del armazón	1
4	NA	Ensamble de la empuñadura lateral (véase los números de componentes individuales)	1
5	310310	Ensamble de la barra del armazón (modelos 3010, 3012) 30" SE	1
5	310305	Ensamble de la barra del armazón (modelos 2410, 2412) 24" SE	1
5	310300	Ensamble de la barra del armazón (modelos 1910, 1912) 19" SE	1
6	30-2	Cuchilla interior (modelos 3010, 3012) 30" SE	1
6	24-2	Cuchilla interior (modelos 2410, 2412) 24" SE	1
6	19-2	Cuchilla interior (modelos 1910, 1912) 19" SE	1
7	30-1	Cuchilla exterior (modelos 3010, 3012) 30" SE	1
7	24-1	Cuchilla exterior (modelos 2410, 2412) 24" SE	1
7	19-1	Cuchilla exterior (modelos 1910, 1912) 19" SE	1
8	310215	Tubo conduit	1
9	16-93	Guarda de la cuchilla (modelos 3010, 3012) 30" SE	5
9	16-93	Guarda de la cuchilla (modelos 2410, 2412) 24" SE	4
9	16-93	Guarda de la cuchilla (modelos 1910, 1912) 19" SE	3
10	16-54A	Tornillo tipo Phillips con cabeza grande (modelos 3010, 3012) 30" SE	4
10	16-54A	Tornillo tipo Phillips con cabeza grande (modelos 2410, 2412) 24" SE	3
10	16-54A	Tornillo tipo Phillips con cabeza grande (modelos 1910, 1912) 19" SE	2
11	3036-B	Contratuerca con brida de 1/4 pulg. - 28	3
12	310505	Tornillo, 1/4-28 x 1" cabeza grande	1

Ensamble con dos cuchillas



CLAVE #	COMP. #	DESCRIPCIÓN	CANT.
1	310100	Ensamble de la carcasa del engranaje (incluye los pasadores a presión)	1
2	16-54B	Tuerca bloqueante 1/4 - 28 brida Whiz (en los modelos 3020, 3022) 30" DE	7
2	16-54B	Tuerca bloqueante 1/4 - 28 brida Whiz (en los modelos 2420, 2422) 24" DE	6
2	16-54B	Tuerca bloqueante 1/4 - 28 brida Whiz (en los modelos 1920, 1922) 19" DE	5
3	300300	Soporte de la barra del armazón	1
4	NA	Ensamble de la empuñadura de rizo (véase los números de componentes individuales)	1
5	310325	Ensamble de la barra del armazón (modelos 3020, 3022) 30" DE	1
5	310320	Ensamble de la barra del armazón (modelos 2420, 2422) 24" DE	1
5	310315	Ensamble de la barra del armazón (modelos 1920, 1922) 19" DE	1
6	30-2D	Cuchilla interior (modelos 3020, 3022) 30" DE	1
6	24-2D	Cuchilla interior (modelos 2420, 2422) 24" DE	1
6	19-2D	Cuchilla interior (modelos 1920, 1922) 19" DE	1
7	30-1D	Cuchilla exterior (modelos 3020, 3022) 30" DE	1
7	24-1D	Cuchilla exterior (modelos 2420, 2422) 24" DE	1
7	19-1D	Cuchilla exterior (modelos 1920, 1922) 19" DE	1
8	30-42	Peine de 30 pulg. (76 cm) (modelos 3020, 3022) 30" DE	1
8	24-42	Peine de 24 pulg. (76 cm) (modelos 2420, 2422) 24" DE	1
8	19-42	Peine de 19 pulg. (76 cm) (modelos 1920, 1922) 19" DE	1
9	16-54A	Tornillo tipo Phillips con cabeza grande (modelos 3020, 3022) 30" DE	4
9	16-54A	Tornillo tipo Phillips con cabeza grande (modelos 2420, 2422) 24" DE	3
9	16-54A	Tornillo tipo Phillips con cabeza grande (modelos 1920, 1922) 19" DE	2
10	310500	Tornillo, Plasti-tite #8 x 1/4 pulg.	2
11	310505	Tornillo, 1/4-28 x 1" cabeza grande	1

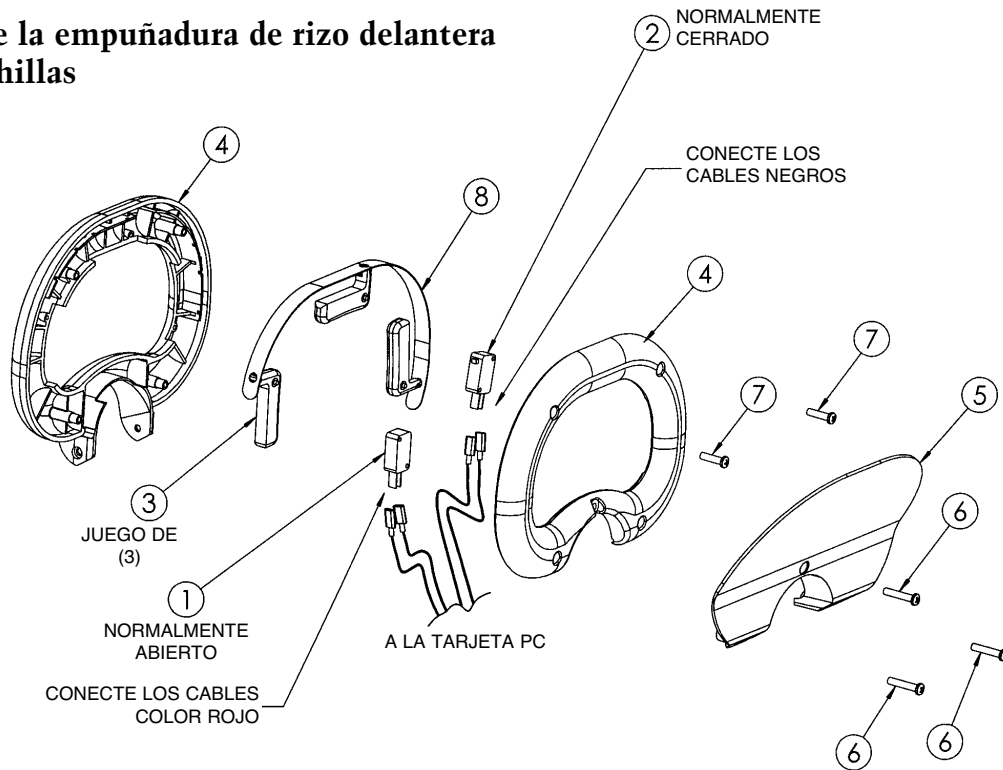
Ensamble del engranaje/motor



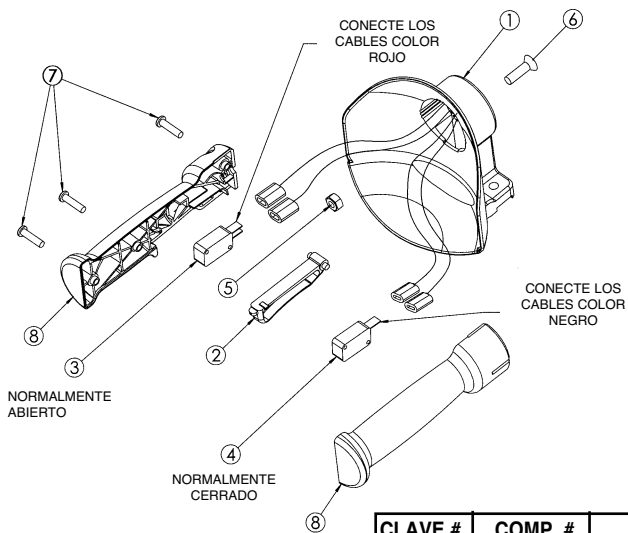
REF. #	COMP. #	DESCRIPCIÓN	CANT.
1	310100	Ensamble de la carcasa del engranaje	1
2	16-57A	Placa de la cubierta de la carcasa del engranaje	1
3	310407	Arandela aislante de caucho	4
4	D16-71	Junta de la placa de la cubierta	1
5	310111	Engranaje excéntrico - (ver nota)	1
6	310112	Claustro del engranaje - (ver nota)	1
7	16-64	Vástago de acoplamiento	1
8	16-65	Espaciador del vástago de acoplamiento	1
9	16-67	Fieltro	1
10	16-81-1	Tornillo 6-32 x 5/16	8
11	310503	Tornillo del motor 8-32 x 2 1/2	2
12	3042	Tornillo para metales	4
13	D16-56F	Placa de frotamiento	1
14	310903	Estator 120V (modelos 3020, 3010, 2420, 2410, 1920, 1910)	1
14	310900	Estator 230V (modelos 3022, 3012, 2422, 2412, 1922, 1912)	1
15	310108	Base y tapón de la carcasa del motor	1
17	16-69D	Cojinete inferior	1
18	310901	Armadura 120V (modelos 3020, 3010, 2420, 2410, 1920, 1910)	1
18	310902	Armadura 230V (modelos 3022, 3012, 2422, 2412, 1922, 1912)	1
19	16-69E	Cojinete superior	1
20	3025	Portaescobillas (no ilustrado)	2
21	310105	Escobilla	2
22	3026	Placa de retención de escobillas	2

Aviso: Los engranajes de alta velocidad, componente número 310111 deberá utilizarse con el componente número 310112, y de la misma manera este componente 310112 solamente podrá utilizarse con el componente número 310111.

Ensamble de la empuñadura de rizo delantera con dos cuchillas



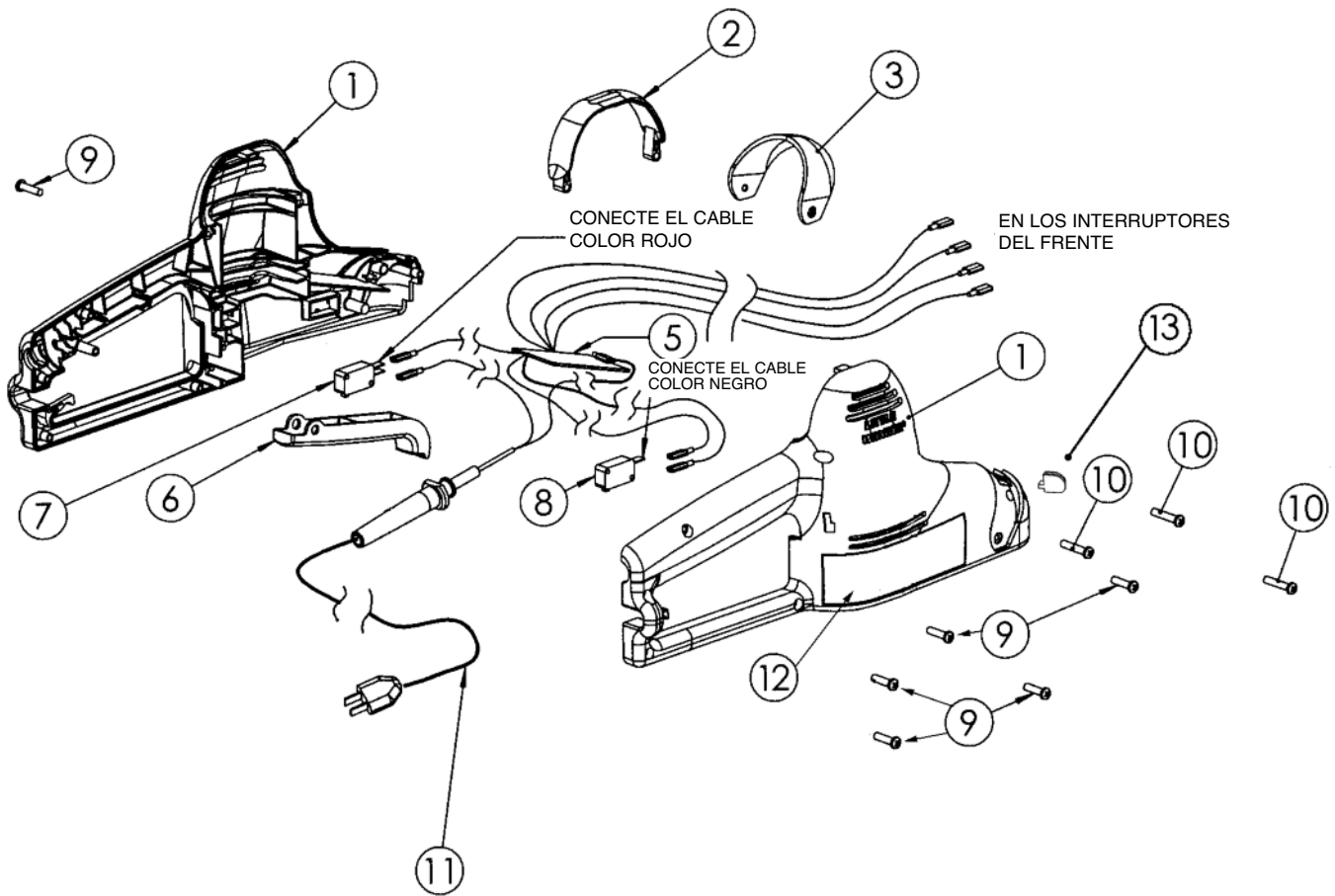
CLAVE #	COMP. #	DESCRIPCIÓN	CANT.
1	3033	Interruptor normalmente abierto	1
2	310405	Interruptor normalmente cerrado	1
3	310219	Juego del gatillo de la empuñadura de rizo	1
4	310203	Juego de la empuñadura de rizo	1
5	310207	Blindaje	1
6	310504	Tornillo, Plasti-Tite #8 x 1 pulg.	3
7	310500	Tornillo, Plasti-Tite #8 x 1/4 pulg.	2
8	310218	Guardacabo del gatillo de la empuñadura de rizo	1



Ensamble de la empuñadura delantera con una sola cuchilla

CLAVE #	COMP. #	DESCRIPCIÓN	CANT.
1	310206	Blindaje de la empuñadura lateral	1
2	310210	Empuñadura del lado del gatillo	1
3	3033	Interruptor normalmente abierto	1
4	310405	Interruptor normalmente cerrado	1
5	310502	Tuerca Nylock 1/4-28	1
6	310501	Prisionero de cabeza plana 1/4-28 x 3/4 acero inoxidable	1
7	310500	Tornillo, Plasti-Tite #8 x 3/4 pulg.	3
8	310200	Juego de la empuñadura lateral	1

Ensamble de la carcasa principal



REF. #	COMP. #	DESCRIPCIÓN	CANT.
1	310400	Juego de la carcasa principal	1
2	310403	Placa de la cubierta del tapón de la carcasa de la escobilla	1
3	310404	Placa de la cubierta de la carcasa de la empuñadura de rizo *	1
5	310438	Ensamble de la tarjeta PC (modelos 3012, 2412, 1912)	1
5	310436	Ensamble de la tarjeta PC (modelos 3010, 2410, 1910)	1
5	310439	Ensamble de la tarjeta PC (modelos 3022, 2422, 1922)	1
5	310437	Ensamble de la tarjeta PC (modelos 3020, 2420, 1920)	1
6	310209	Carcasa posterior del gatillo	1
7	3033	Interruptor normalmente abierto	1
8	310405	Interruptor normalmente cerrado	1
9	310500	Tornillo, Plasti-Tite #8 x 3/4 pulg.	6
10	310504	Tornillo, Plasti-Tite #8 x 1 pulg.	3
11	310410	Ensamble del cable de 120V	1
11	310412	Ensamble del cable de 230V	1
11	310433	Ensamble del cable - Canada	1
12	310600	Etiqueta de advertencia	1
13	310217	Arandela aislante, conducto**	1

* No necesaria en las unidades dobles.

** Innesario en los modelos con una sola cuchilla.

VIII. ESPECIFICACIONES

Modelo	Longitud de corte cm (pulg.)	Peso kg (lb)
1912	48 (19)	3.49 (7.7)
1922	48 (19)	3.89 (8.6)
2412	61 (24)	3.62 (8.0)
2422	61 (24)	4.04 (8.9)
3012	76 (30)	3.85 (8.5)
3022	76 (30)	4.59 (10.1)

Todas las podadoras de arbustos están clasificadas para 230 voltios CA a 50 hertzios.

La emisión del nivel de presión del ruido A fue medida según la postura del operario y resultó ser: $L_{PA} = 80$ dB(A). Este resultado de las medidas se hizo en cumplimiento con la norma EN ISO 11201:1996 sin esfuerzo de carga.

El resultado de la medición de la vibración de la mano y el brazo se hizo en los manubrios en cumplimiento con la norma EN 50144-1 parte 13.3 bajo condiciones de medición, sin esfuerzo de carga resultó en 1.0 m/s².

PÓLIZA LIMITADA DE SERVICIO Y GARANTÍA PARA LAS PODADORAS DE ARBUSTOS ELÉCTRICAS

Todas las podadoras de arbustos eléctricas **LITTLE WONDER** están garantizadas contra defectos en sus materiales y mano de obra durante un periodo de 2 AÑOS a partir de la fecha de adquisición, siempre y cuando se usen para el SERVICIO DOMÉSTICO, o 1 año cuando se usen para el SERVICIO COMERCIAL. Cualesquiera de los componentes de la podadora de arbustos **LITTLE WONDER** que se determinen estar defectuosos dentro del periodo de la garantía, deberán ser devueltos a cualquier Distribuidor **LITTLE WONDER** registrado.

El costo de la transportación de los componentes y las unidades enviadas para su reparación bajo esta garantía deberá ser cubierto por el adquiriente.

ESTA GARANTÍA no surtirá efecto si el producto ha estado sujeto al uso indebido, negligencia o accidente, utilizado para cortar arbustos o arbustos con un espesor que supere $\frac{1}{2}$ pulgada (1.2 cm), utilizado para cortar objetos extraños como lo son cables, rocas o cercas, o si este producto ha sido reparado o alterado, fuera de nuestra planta en Southampton o de cualquier distribuidor Little Wonder registrado, de cualquier manera que afecte su condición u operación.

LITTLE WONDER no se responsabilizará por ningún daño especial, indirecto o consecuencial que haya resultado por el uso de un equipo defectuoso. Cualquier garantía implícita, que incluya la comerciabilidad o adaptación para un propósito en particular, no se extenderá más allá de la vigencia de lo manifestado en la garantía.

ESTA GARANTÍA solamente entrará en vigor si la tarjeta de Registro y/o Garantía que se anexa es llenada apropiadamente y devuelta a **LITTLE WONDER**, Div. Of Schiller-Pfeiffer, Inc., al momento de su adquisición.

Las especificaciones, descripciones y material ilustrativo impreso aquí es lo más exacto hasta el momento de su publicación, no obstante quedará sujeto a cambios sin previo aviso.

Fabricado por:

LITTLE WONDER®

DIVISION OF SCHILLER-PFEIFFER, INCORPORATED
1028 STREET ROAD, P.O. BOX 38
SOUTHAMPTON, PA 18966 E.E.U.U.
TELÉFONO: 215-357-5110 • FAX: 215-357-8045

©2003, **LITTLE WONDER**, Division Schiller-Pfeiffer, Inc.

P/N 310700
6-03

Free Manuals Download Website

<http://myh66.com>

<http://usermanuals.us>

<http://www.somanuals.com>

<http://www.4manuals.cc>

<http://www.manual-lib.com>

<http://www.404manual.com>

<http://www.luxmanual.com>

<http://aubethermostatmanual.com>

Golf course search by state

<http://golfingnear.com>

Email search by domain

<http://emailbydomain.com>

Auto manuals search

<http://auto.somanuals.com>

TV manuals search

<http://tv.somanuals.com>