

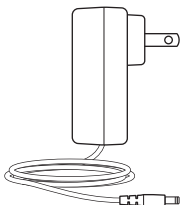
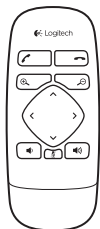
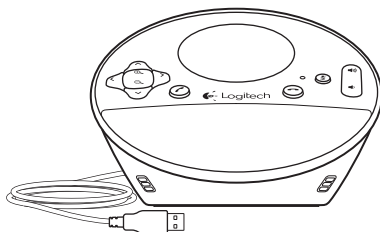
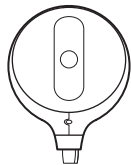


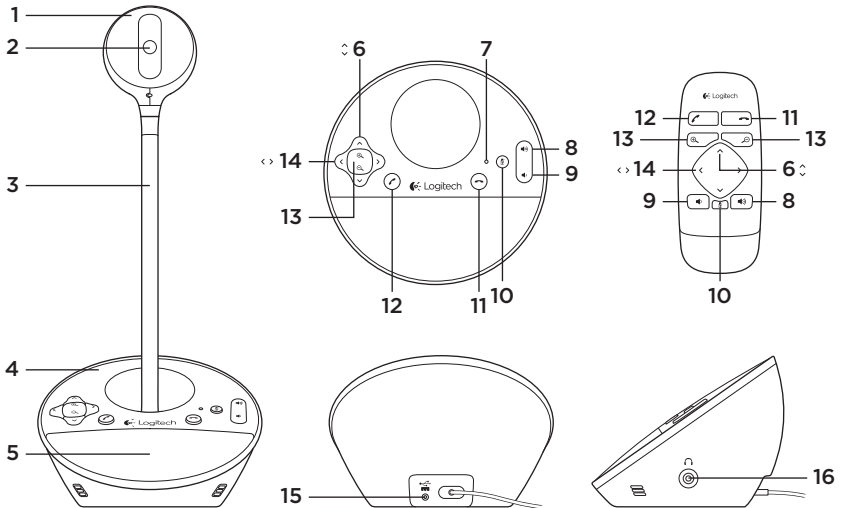
Getting started with
BCC950 ConferenceCam



Logitech for Business

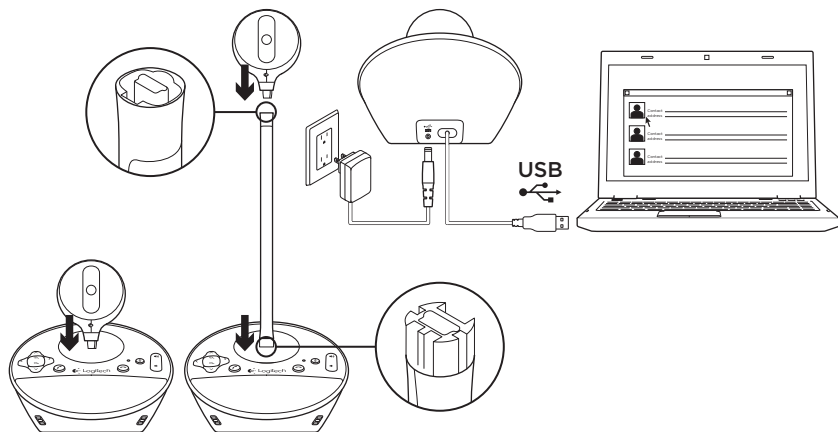
Download from www.somanuals.com. All Manuals Search And Download.





Know your product

- | | | |
|----------------------|-------------------|-------------------------|
| 1. Webcam | 7. Activity light | 13. Zoom |
| 2. Autofocus lens | 8. Volume up | 14. Pan |
| 3. Eye-level stand | 9. Volume down | 15. Power port |
| 4. Speakerphone base | 10. Mute | 16. 3.5mm earphone jack |
| 5. Speaker | 11. Hang up | |
| 6. Tilt | 12. Answer | |



Set up your product

1. Turn on computer.
2. Attach webcam to speakerphone base.
3. Connect power adapter to speakerphone base and AC outlet.
4. Connect the USB cable to a computer USB port.
5. Launch a video conferencing application. Use the stand to place the webcam closer for eye-level conferencing. When attaching or removing the webcam to the stand, first disconnect the AC power.

Use your product

- **Video** Use Pan, Tilt, and Zoom to adjust the image in the preview window of your video conferencing software. Press and release these controls for incremental adjustment. Press and hold for continuous adjustment. When live video is streaming, the webcam's blue activity light is on.
- **Caution** Do not manually rotate the webcam (camera head). Doing so may damage the unit.
- **Volume** Use Volume Up and Down to adjust the volume.
- **Calling** Launch your video conferencing software. Use Answer to pick up a call and Hang up to end a call. Press the Mute button to mute audio.

Usage notes:

- The Answer and Hang Up buttons may not work in some video conferencing software. Use your software to answer and end a call.
- To enable the answer and hang up features in Skype™, download and install the Skype software plug-in available from www.logitech.com/support/bcc950.

- When using the ConferenceCam with Skype on Windows® XP or Windows® Vista, you must download and install the ConferenceCam driver from www.logitech.com/support/bcc950.
- **Optional earphones** Plug optional earphones (not included with the BCC950 ConferenceCam) into the earphone jack for private calls.
- **Speakerphone base activity light**
 - Blue:** ConferenceCam is in an active call.
 - Blinking blue:** A call is being received. (The blue activity light on the speakerphone base may not work in some applications.)
 - Red:** Audio is muted.
 - Blinking red:** A USB connection is being made between the ConferenceCam and a computer.

Troubleshooting

ConferenceCam does not work

- Check the AC power connection.
- Check the USB cable connection. Use another USB port on your computer. Connect directly to your computer. Do not use a USB hub.
- If you are using the eye-level stand, remove the stand from the webcam and speakerphone base, and then attach the webcam directly to the speakerphone base.

Sound or video issues

- Adjust the volume with Volume Up and Volume Down. Also check the volume setting on the Windows® taskbar. Press Mute to unmute the sound. Plugging earphones into ConferenceCam mutes sound through the speaker on the speakerphone base.
- Adjust the recording (voice) level using the Windows Control Panel. For

Windows® 7 and Windows® Vista, go to Start > Control Panel > Sound > Recording tab. For Windows XP, go to Start > Control Panel > Sounds and Audio devices > Voice tab.

- Restart your video conferencing software.
- Check your router function and internet connection. (For more information, refer to your router or networking documentation.) Test your Internet connection speed. To learn how, go to www.logitech.com/support/bcc950.
- Specify the ConferenceCam as the default input/output device in your video conferencing software. (For more information, refer to your video conferencing software documentation.)

Note: In many applications, the ConferenceCam's webcam, speaker, and mic are listed separately. Each are identified by the ConferenceCam's product name.)

- Specify the ConferenceCam as the default input/output audio device for your operating system:

Windows® XP

1. Go to Start > Control Panel > Sounds and Audio devices > Voice tab.
2. Choose “BCC950 ConferenceCam Audio” in both the Voice playback and Voice recording areas. Click OK.
3. Go to the Audio tab. Choose “BCC950 ConferenceCam Audio” in both the Sound playback and Sound recording areas. Click OK.

Windows® Vista and Windows® 7

1. Go to Start > Control Panel > Sounds > Playback tab.
2. Choose “BCC950 ConferenceCam Audio.”
3. Click “Set Default,” and then click OK.
4. Select the Recording Tab.
5. Choose “BCC950 ConferenceCam Audio.”
6. Click “Set Default,” and then click OK.

What do you think?

Please take a minute to tell us.
Thank you for purchasing our product.

www.logitech.com/ithink



www.logitech.com/support/bcc950

United States

+1 646-454-3200

United Kingdom

+44-(0)203-024-81 59



www.logitech.com

© 2012 Logitech. All rights reserved. Logitech, the Logitech logo, and other Logitech marks are owned by Logitech and may be registered. Microsoft, Windows Vista, Windows, and the Windows logo are trademarks of the Microsoft group of companies. Skype is a trademark of Skype or other related companies. Skype is registered in the United States Patent and Trademark Office, and with the Trademark Offices of the countries of Australia, Finland, Benelux, Hong Kong, Israel, Japan, Liechtenstein, New Zealand, South Korea, Switzerland, and Taiwan. All other trademarks are the property of their respective owners. Logitech assumes no responsibility for any errors that may appear in this manual. Information contained herein is subject to change without notice.

620-004226.002

Download from Www.Somanuals.com. All Manuals Search And Download.

Free Manuals Download Website

<http://myh66.com>

<http://usermanuals.us>

<http://www.somanuals.com>

<http://www.4manuals.cc>

<http://www.manual-lib.com>

<http://www.404manual.com>

<http://www.luxmanual.com>

<http://aubethermostatmanual.com>

Golf course search by state

<http://golfingnear.com>

Email search by domain

<http://emailbydomain.com>

Auto manuals search

<http://auto.somanuals.com>

TV manuals search

<http://tv.somanuals.com>