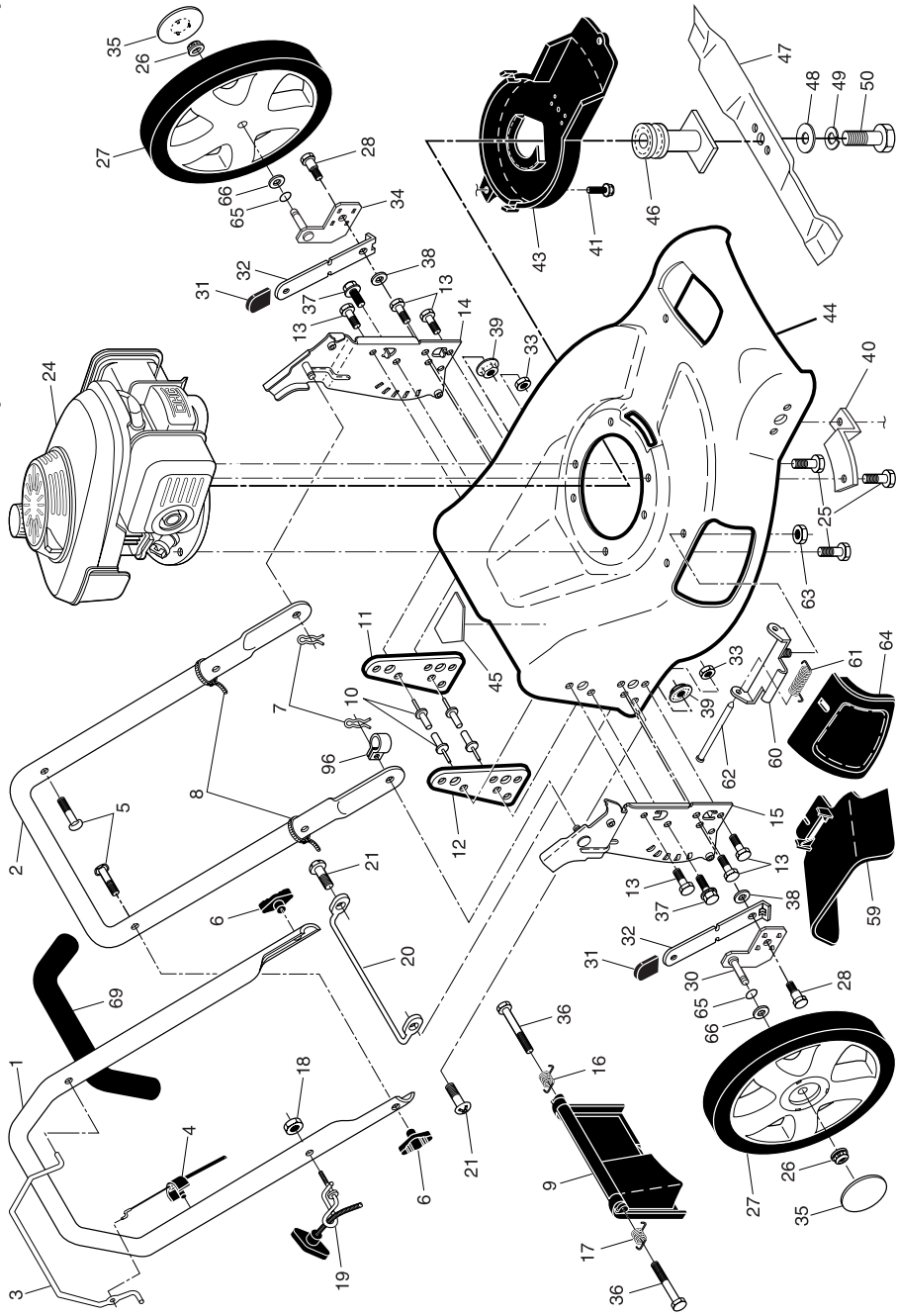


**REPAIR PARTS MANUAL  
MODEL NO. EDITION 1-R  
(MFG. ID. NO. 96141016201)  
Rotary Lawn Mower**

---



ROTARY LAWN MOWER - - MODEL NUMBER EDITION 1-R (MFG. ID. NO. 96141016201)



## LIMITED WARRANTY

The Manufacturer warrants to the original consumer purchaser that this product as manufactured is free from defects in materials and workmanship. For a period of two (2) years from date of purchase by the original consumer purchaser, we will repair or replace, at our option, without charge for parts or labor incurred in replacing parts, any part which we find to be defective due to materials or workmanship. This Warranty is subject to the following limitations and exclusions.

1. This warranty does not apply to the engine. Please contact your nearest dealer where they will send the machine to the engine manufacturer.
2. Transportation charges for the movement of any power equipment unit or attachment are the responsibility of the purchaser. Transportation charges for any parts submitted for replacement under this warranty must be paid by the purchaser unless such return is requested by your dealer.
3. Battery Warranty: On products equipped with a Battery, we will replace, without charge to you, any battery which we find to be defective in manufacture, during the first ninety (90) days of ownership. After ninety (90) days, we will exchange the Battery, charging you 1/12 of the price of a new Battery for each full month from the date of the original sale. Battery must be maintained in accordance with the instructions furnished.
4. The Warranty period for any products used for rental or commercial purposes is limited to 90 days from the date of original purchase.
5. This Warranty applies only to products which have been properly assembled, adjusted, operated, and maintained in accordance with the instructions furnished. This Warranty does not apply to any product which has been subjected to alteration, misuse, abuse, improper assembly or installation, delivery damage, or to normal wear of the product.
6. Exclusions: Excluded from this Warranty are belts, blades, blade adapters, normal wear, normal adjustments, standard hardware and normal maintenance.
7. In case of any problem within the boundaries of this warranty, contact the nearest department store, indicate the model number, serial number and the date of purchase of your machine. This warranty does not apply to accidental damages. All implicit warranties are limited to the same time frames. Or contact:

E.M. Services  
54 Rue Lambrechts  
92400 Courbevoise  
France  
Telephone: (1) 46678078  
Fax: (1) 46678095

THIS WARRANTY DOES NOT APPLY TO INCIDENTAL OR CONSEQUENTIAL DAMAGES. ANY IMPLIED WARRANTIES ARE LIMITED TO THE SAME TIME PERIODS STATED HEREIN.

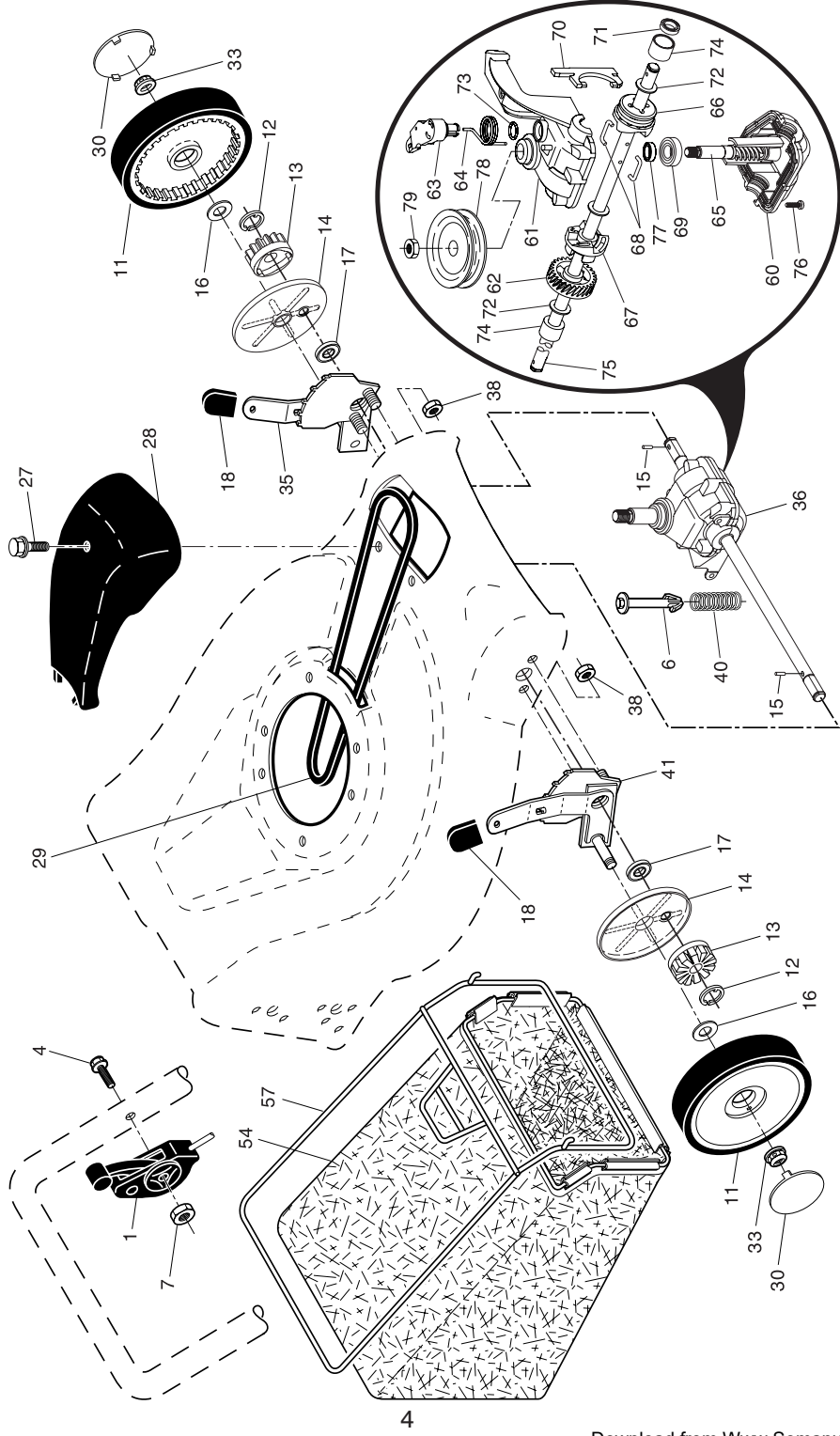
## ROTARY LAWN MOWER - - MODEL NUMBER EDITION 1-R (MFG. ID. NO. 96141016201)

KEY NO.	PART NO.	DESCRIPTION	KEY NO.	PART NO.	DESCRIPTION	KEY NO.	PART NO.	DESCRIPTION
1	532 40 12-50	Upper Handle Assembly (Includes Foam Grip)	26	<b>532 40 91-48</b>	Hex Flange Nut	47	532 19 93-77	Blade, 21"
2	532 15 36-05	Lower Handle	27	532 18 05-52	Wheel & Tire Assembly,	48	532 85 10-74	Hardened Washer
3	532 18 99-03	Control Bar	28	532 16 09-28	Rear, 14"	49	532 85 02-63	Washer, Helical, Grade 8 3/8-24 x 1-3/8
4	532 18 35-67	Engine Zone Control Cable	30	532 18 25-41	Shoulder Bolt 5/16-18 x .33 Axle Arm Assembly,	50	532 85 10-84	Screw, Machine, Hex Head, Grade 8 3/8-24 x 1-3/8
5	532 19 15-74	Handle Bolt	31	532 19 00-69	Rear, RH	59	532 17 50-71	Discharge Deflector
6	532 19 19-38	Handle Knob	32	532 18 25-37	Selector Knob	60	532 17 57-35	Hinge Bracket Assembly
7	532 05 17-93	Hairpin Cotter	33	873 80 05-00	Selector Spring	61	532 19 30-00	Spring, Hinge
8	532 06 64-26	Wire Tie	34	532 18 25-42	Nut, Hex 5/16-18	62	532 17 56-50	Rod, Hinge
9	532 40 69-85	Rear Door Assembly	35	532 19 18-53	Axle Arm Assembly,	63	873 80 04-00	Locknut, Hex 1/4-20
10	532 12 84-15	Pop Rivet	36	532 18 41-93	Rear, LH	64	532 17 50-66	Mulcher Door
11	532 41 05-40	Support Bracket, LH	37	874 78 05-12	Hubcap	65	532 19 74-80	O-Ring
12	532 41 05-42	Support Bracket, RH	38	819 11 22-06	Bolt	66	532 08 83-48	Washer, Flat
13	817 06 04-10	Screw 1/4-20 x 5/8	39	<b>532 15 53-77</b>	Thread Cutting Screw w/Sems 5/16-18 x 3/4	69	532 16 42-65	Grip, Foam
14	532 18 25-43	Handle Bracket, LH	40	532 19 09-39	Spacer	96	532 19 79-91	Clip, Cable
15	532 18 25-45	Handle Bracket, RH	41	532 19 23-25	Nut, Hex	--	532 18 21-34	Decal, Warning (not shown)
16	532 40 54-17	Spring, Rear Door, LH	43	532 40 58-45	Mounting Bracket,	--	532 41 20-75	Operator's Manual, European
17	532 40 54-18	Spring, Rear Door, RH	44	532 40 97-64	Debris Shield	--	532 41 20-73	Operator's Manual, Scandinavian
18	532 13 20-04	Locknut, Hex 1/4-20	45	532 40 97-64	Screw, Debris Shield	--	532 41 20-76	Operator's Manual, East Bloc
19	532 19 47-88	Rope Guide	46	532 40 46-33	Kit, Lawn Mower Housing (Includes Key Numbers 10, 11, 12 and 45)	--	532 41 20-74	Operator's Manual, Baltic
20	<b>532 41 35-43</b>	Foot Guard, C.E.	45	532 18 21-66	Danger Decal	--	<b>532 41 85-49</b>	Repair Parts Manual
21	<b>817 49 04-16</b>	Screw, Tapping 1/4-20 x 1/2	46	532 40 46-33	Blade Adapter / Pulley			
24	---	Engine, Honda, Model No. GCV160 (order parts from engine manufacturer)						
25	532 15 04-06	Screw, Hex Head, Threaded, Rolled 3/8-16 x 1-1/8						

**IMPORTANT:** Use only Original Equipment Manufacturer (O.E.M.) replacement parts. Failure to do so could be hazardous, damage your lawn mower and void your warranty.

**NOTE:** All component dimensions given in U.S. inches. 1 inch = 25.4 mm.

# ROTARY LAWN MOWER - - MODEL NUMBER EDITION 1-R (MFG. ID. NO. 96141016201)



4

# ROTARY LAWN MOWER - - MODEL NUMBER EDITION 1-R (MFG. ID. NO. 96141016201)

KEY NO.	PART NO.	DESCRIPTION	KEY NO.	PART NO.	DESCRIPTION
1	532 18 45-88	Drive Control Assembly (Includes Cable)	54	532 19 48-53	Grassbag Assembly
4	532 15 87-55	Screw, Hex Washer Head 1/4-20 x 2.12	57	532 41 19-50	Frame, Grassbag
6	532 15 04-95	Spring Retainer	60	532 18 34-97	Case, Lower
7	532 19 17-30	Nut, Hex, Flanged 1/4-20	61	532 18 34-98	Case, Upper
11	532 18 07-75	Wheel & Tire Assembly, Front, 8"	62	532 18 34-99	Gear, 27 Teeth
12	812 00 00-58	E-Ring	63	532 18 35-00	Lever, Clutch
13	532 40 38-49	Pinion	64	532 18 35-01	Spring, Return
14	532 18 94-03	Dust Cover	65	<b>532 41 69-88</b>	Shaft, Input
15	<b>532 40 48-45</b>	Pawl, Drive	66	532 18 35-03	Dog, Movable
16	532 06 77-25	Washer 1/2 x 1-1/2 x .134	67	532 18 35-04	Dog, Fixed
17	<b>532 19 10-39</b>	Bearing, Wheel Adjuster	68	532 18 35-05	Wire, Formed
18	532 70 10-37	Selector Knob	69	532 18 35-06	Bearing, Ball
27	532 17 52-62	Screw, Pan Head, Self-Tapping #10-24 x 2-3/4	70	532 18 35-07	Fork, Shift
28	532 18 14-67	Drive Cover	71	532 18 35-08	Seal, Output Shaft
29	532 17 54-36	V-Belt	72	532 18 35-09	Washer
30	532 18 06-26	Hubcap	73	532 18 35-10	Seal, Case
33	<b>532 40 91-49</b>	Locknut, Hex	74	532 18 35-11	Bushing
35	<b>532 40 88-62</b>	Kit, Wheel Adjuster, LH (Includes Knob and Bearing)	75	532 19 66-13	Shaft, Output
36	<b>532 41 52-25</b>	Gear Case Assembly, Complete	76	532 18 35-13	Screw
38	873 80 04-00	Locknut, Hex 1/4-20	77	532 18 35-14	Seal, Input Shaft
40	532 13 70-90	Spring	78	532 41 69-87	Drive Pulley
41	<b>532 40 88-61</b>	Kit, Wheel Adjuster, RH (Includes Knob and Bearing)	79	532 41 69-86	Flange Nut

\* **NOTE:** We advise Total Multis EP00 semi-liquid grease or a comparable grade (quantity 1.15 oz)

**NOTE:** All component dimensions given in U.S. inches. 1 inch = 25.4 mm.

**IMPORTANT:** Use only Original Equipment Manufacturer (O.E.M.) replacement parts. Failure to do so could be hazardous, damage your lawn mower and void your warranty.

## Free Manuals Download Website

<http://myh66.com>

<http://usermanuals.us>

<http://www.somanuals.com>

<http://www.4manuals.cc>

<http://www.manual-lib.com>

<http://www.404manual.com>

<http://www.luxmanual.com>

<http://aubethermostatmanual.com>

Golf course search by state

<http://golfingnear.com>

Email search by domain

<http://emailbydomain.com>

Auto manuals search

<http://auto.somanuals.com>

TV manuals search

<http://tv.somanuals.com>