



SERVICE PARTS LIST

BULLETIN NO.
54-05-0805

SPECIFY CATALOG NO. AND SERIAL NO. WHEN ORDERING PARTS		REVISED BULLETIN	DATE
CORDLESS M18™ COMPACT BLOWER			Nov. 2013
CATALOG NO. 0884-20	STARTING SERIAL NO. F74A	WIRING INSTRUCTION See Page 2	

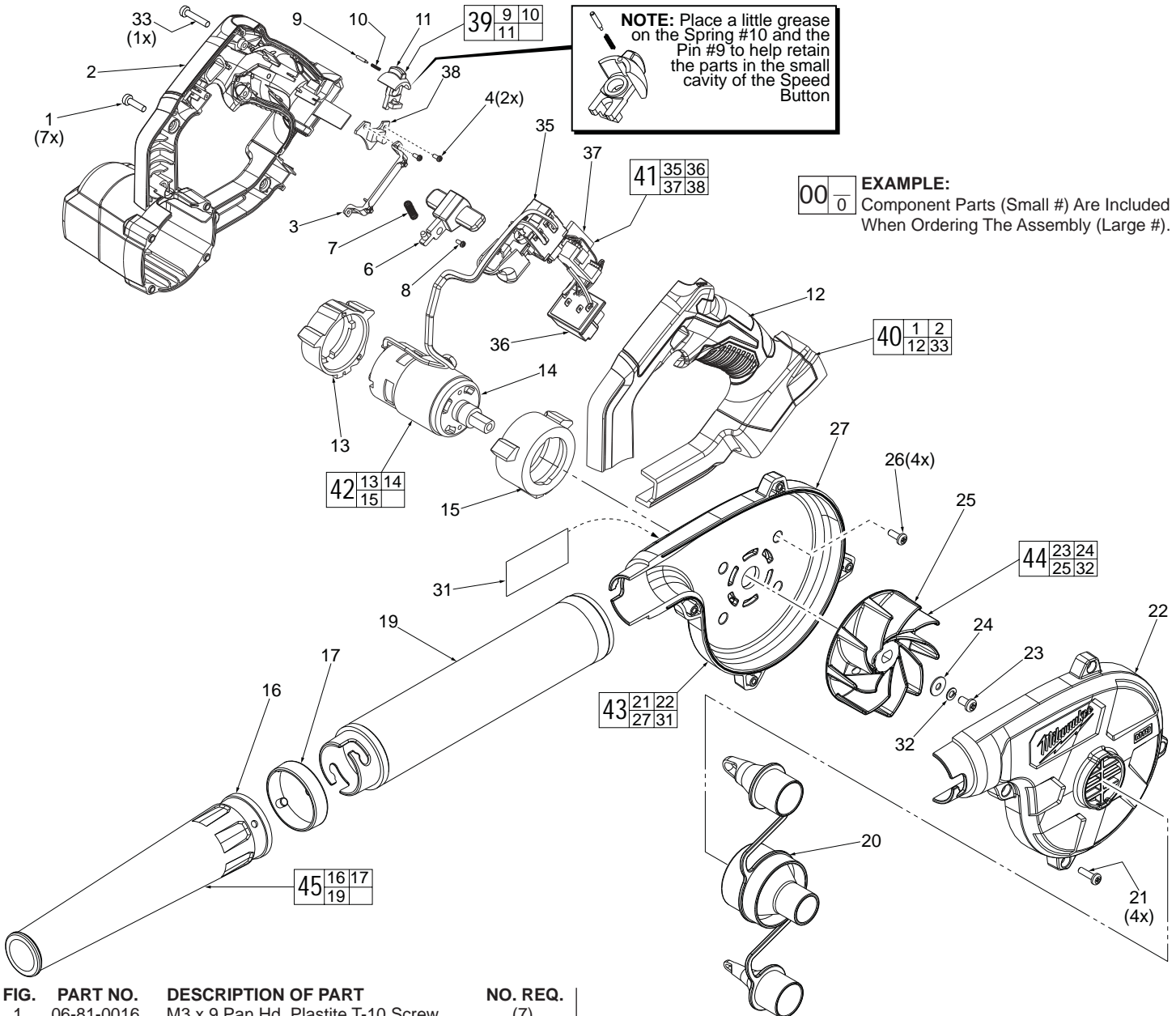
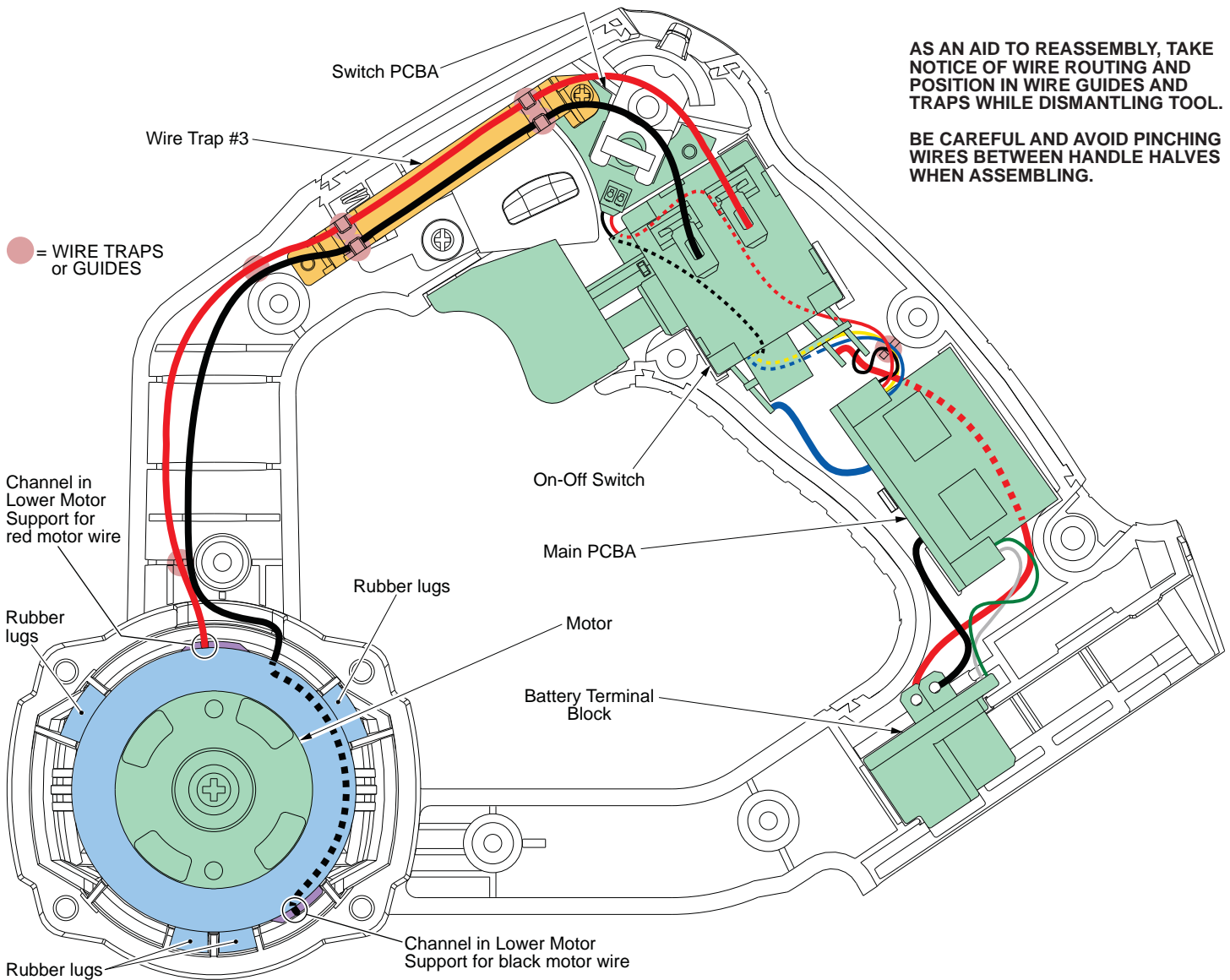


FIG.	PART NO.	DESCRIPTION OF PART	NO. REQ.
1	06-81-0016	M3 x 9 Pan Hd. Plastite T-10 Screw	(7)
2	-----	Handle/Motor Housing Halve-Right	(1)
3	31-17-0130	Wire Trap	(1)
4	06-81-0026	M2.3 x 6 Pan Hd. Plastite Phillips Screw	(2)
6	42-42-0805	Switch Lock Button	(1)
7	40-50-0206	Switch Lock Spring	(1)
8	06-81-0046	M2.3 x 6 Pan Hd. Washer Screw-Phillips	(1)
9	-----	Speed Button Detent Pin	(1)
10	-----	Speed Button Spring	(1)
11	-----	Speed Button	(1)
12	-----	Handle Housing Halve-Left	(1)
13	44-34-0450	Lower Motor Support	(1)
14	-----	Motor with Spindle	(1)
15	44-34-0455	Upper Motor Support	(1)
16	43-24-0510	Nozzle	(1)
17	44-90-1040	Nozzle Ring	(1)
19	43-24-0155	Extension Tube	(1)
20	45-80-0020	Inflator/Deflator Valves	(1)
21	06-81-0056	M4 x 18 Pan Hd. Plastite T-20 Screw	(4)
22	-----	Fan Housing Halve-Left	(1)
23	05-83-0400	M5.0 x 8 Pan Hd. Phillips Machine Screw	(1)
24	45-88-0013	Washer	(1)
25	-----	Fan	(1)

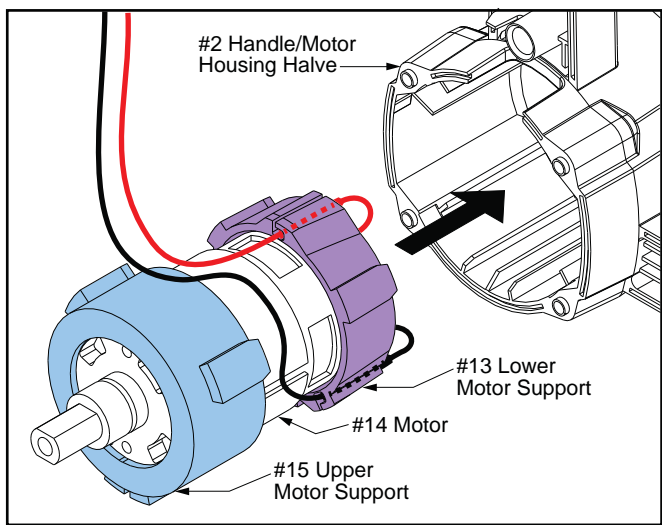
FIG.	PART NO.	DESCRIPTION OF PART	NO. REQ.
26	06-81-0066	M4.0 x 10 Pan Hd. Plastite Phillips Screw	(4)
27	-----	Fan Housing Halve-Right	(1)
31	12-20-0884	Service Nameplate	(1)
32	06-97-0040	Lock Washer	(1)
33	06-81-0017	M3 x 15 Pan Hd. Plastite T-10 Screw	(1)
35	-----	On-Off Switch	(1)
36	-----	Battery Connector Block	(1)
37	-----	Main PCBA	(1)
38	-----	Switch PCBA	(1)
39	31-01-1010	Blower Speed Button Assembly	(1)
40	14-34-1025	Handle/Motor Housing Assembly	(1)
41	14-20-2000	Electronics Assembly	(1)
42	14-50-1300	Motor Assembly with Spindle	(1)
43	14-38-1010	Fan Housing Assembly	(1)
44	22-84-0080	Blower Fan Kit	(1)
45	43-24-0520	Nozzle/Extension Assembly	(1)

MILWAUKEE ELECTRIC TOOL CORPORATION
13135 W. LISBON RD., BROOKFIELD, WI 53005
Drwg. 3



AS AN AID TO REASSEMBLY, TAKE NOTICE OF WIRE ROUTING AND POSITION IN WIRE GUIDES AND TRAPS WHILE DISMANTLING TOOL.

BE CAREFUL AND AVOID PINCHING WIRES BETWEEN HANDLE HALVES WHEN ASSEMBLING.



When reinstalling a new Motor Assembly, be sure that the red and black motor leads are fed through the large opening in the back of the Lower Motor Support before soldering wires to the On-Off Switch.

Slide the lower motor support onto the rear of the motor, orienting it as shown and making sure it is firmly pressed into place.

Be sure that the Upper Motor Support is oriented as shown and firmly seated on the spindle end of the Motor.

Press the motor leads into the channels of the lower motor support and remove most of the slack from the rear of the motor. Line up the rubber lugs of the upper and lower motor supports with the channels in the motor cavity of the Handle/Motor Housing Halve. Install the assembly into the handle/motor housing halve.

NOTE:

For ease of installation, the upper motor support can be left off the spindle end of the motor until the lower motor support and motor are pressed into place. At that time, the upper motor support can be assembled onto the motor, orienting the rubber lugs with the corresponding channels in the motor cavity and firmly seated.

Free Manuals Download Website

<http://myh66.com>

<http://usermanuals.us>

<http://www.somanuals.com>

<http://www.4manuals.cc>

<http://www.manual-lib.com>

<http://www.404manual.com>

<http://www.luxmanual.com>

<http://aubethermostatmanual.com>

Golf course search by state

<http://golfingnear.com>

Email search by domain

<http://emailbydomain.com>

Auto manuals search

<http://auto.somanuals.com>

TV manuals search

<http://tv.somanuals.com>