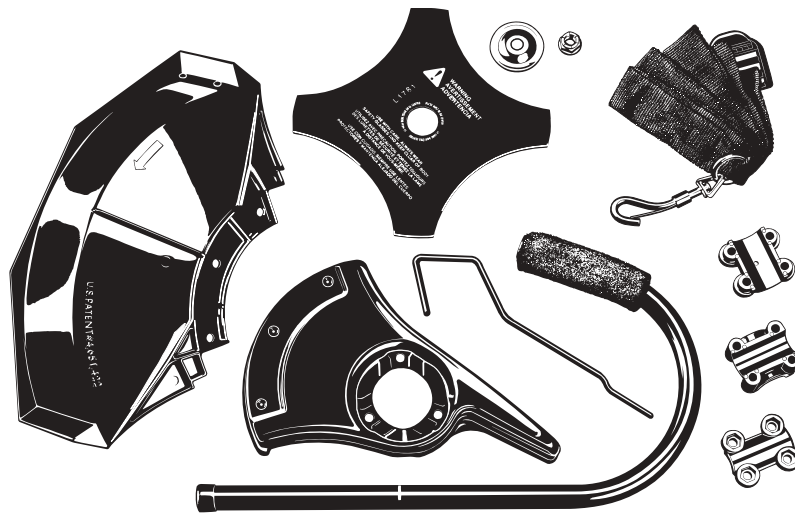


BCR4 BCK Brushcutter Kit

OPERATOR'S MANUAL



IMPORTANT MANUAL



DO NOT THROW AWAY

INTRODUCTION

Thank You

Thank you for purchasing this quality product. This modern outdoor power tool is designed to provide many hours of useful service. You will find it to be a great labor-saving device.

This operator's manual provides you with easy-to-understand operating instructions. Read the entire manual and follow all of the instructions to keep your new outdoor power tool in top operating condition.

PRODUCT REFERENCES, ILLUSTRATIONS AND SPECIFICATIONS

All information, illustrations and specifications in this manual are based on the latest product information available at the time of printing. We reserve the right to make changes at any time without notice.

Copyright© 2002 MTD SOUTHWEST INC
All Rights Reserved.

SpeedSpool® is a registered trademark of
MTD SOUTHWEST INC

SERVICE INFORMATION

Service on this unit both within and after the warranty period should be performed only by an authorized and approved service dealer.

NOTE: PROOF OF PURCHASE WILL BE REQUIRED FOR WARRANTY SERVICE.

Make sure you carefully read and understand this manual before starting or operating this equipment.

THIS PRODUCT IS COVERED BY ONE OR MORE US PATENTS, OTHER PATENTS PENDING.

TABLE of CONTENTS

Rules for Safe Operation	3-5
Important Safety Information	3
Safety and International Symbols	5
Assembly Instructions	6-11
Install the Brush Cutter Kit	6
Remove the D-Handle	6
Install the J-Handle	6
Install the Harness	7
Remove the Cutting Attachment	8
Remove the Old Cutting Attachment Shield	8
Install the New Cutting Shield Mount	9
Install the Cutting Blade	9
Remove the Cutting Blade/Install Attachment	10
Remove and Install the Cutting Shield	11
Operating Instructions	11-12
Holding the Unit	11
Using the Cutting Blade	12

CONTENTS OF CARTON

This unit should consist of the following:

- J-Handle and Hardware
- 4-Tooth Cutting Blade with Hardware
- Cutting Attachment Shield Mount and Hardware
- Cutting Attachment Shield and Hardware
- Shoulder Harness
- Locking Rod
- Operator's Manual

Examine all parts to make certain that nothing is missing and no breakage has occurred during shipping. Any damaged or missing part must be replaced before using this product.



TOOLS REQUIRED



The following tools are needed for assembly:

- 7/16" Wrench
- 5/8" Closed End or Socket Wrench
- Torx T-20 Screwdriver or Flat Blade Screwdriver
- Phillips Screwdriver
- Flat Blade Screwdriver

RULES FOR SAFE OPERATION

The purpose of safety symbols is to attract your attention to possible dangers. The safety symbols and their explanations deserve your careful attention and understanding. The safety warnings do not, by themselves, eliminate any danger. The instructions or warnings they give are not substitutes for proper accident prevention measures.

SYMBOL	MEANING
	SAFETY ALERT SYMBOL: Indicates danger, warning or caution. Special attention is required in order to avoid serious personal injury. May be used in conjunction with other symbols or pictographs.
NOTE:	<i>Advises you of information or instructions vital to the operation or maintenance of the equipment.</i>
	DANGER: Failure to obey a safety warning will result in serious injury to yourself or to others. Always follow the safety precautions to reduce the risk of fire, and personal injury.

SYMBOL	MEANING
	WARNING: Failure to obey a safety warning can result in serious personal injury to yourself or to others. Always follow the safety precautions to reduce the risk of fire and personal injury.
	CAUTION: Failure to obey a safety warning can result in serious personal injury to yourself or to others. Always follow the safety precautions to reduce the risk of fire and personal injury

• IMPORTANT SAFETY INFORMATION •

READ ALL INSTRUCTIONS BEFORE OPERATING

- Read the instructions carefully. Follow all instructions when assembling and using this kit with your unit.
- Clear the area before each use. Remove all objects like rocks, broken glass, nails, wire or string which can be thrown or become entangled in the cutting attachment.
- Keep all bystanders, especially pets and children, outside a 15 m. (50 ft.) radius, at a minimum. Bystanders should also be encouraged to wear eye protection. If you are approached, stop the engine and cutting attachment immediately.

WHILE OPERATING

- Wear safety glasses or goggles that are marked as meeting ANSI Z87.1-1989 standards, and ear/hearing protection when operating this unit. Wear a face or dust mask if the operation is dusty. Long sleeve shirts are recommended.

- Wear heavy, long pants, boots, gloves and a long sleeve shirt. Do not wear loose clothing, jewelry, short pants, sandals or go barefoot. Secure hair above shoulder level.
- The cutting attachment shield must always be in place while operating the unit as a trimmer. Do not operate unit without both trimming lines extended, and the proper line installed. Do not extend the trimming line beyond the length of the shield.
- Read and follow the operator's manual that details the unit where this kit will be used.
- Adjust the J-handle to provide the best grip.
- Be sure the cutting attachment is not in contact with anything before starting the unit.
- Use only in daylight or good artificial light.
- Do not overreach. Always keep proper footing and balance.
- Always hold the unit with both hands when operating. Keep a firm grip on both the front and rear handle or grips.

RULES FOR SAFE OPERATION

- Keep hands, face, and feet at a distance from all moving parts. Do not touch or try to stop the cutting attachment when it is rotating.
- Do not operate the engine faster than the speed needed to cut, trim or edge. Do not run the engine at high speed when not cutting.
- Always stop the engine when cutting is delayed or when walking from one cutting location to another.
- If you strike or become entangled with a foreign object, stop the engine immediately and check for damage. Do not operate before repairing damage. Do not operate the unit with loose or damaged parts.
- Stop and switch the engine to off for maintenance, repair, or for changing the cutting attachment or other attachments.
- Use the right tool. Only use this tool for the purpose intended.
- Keep unit clean of vegetation and other materials. They may become lodged between the cutting attachment and shield.

WHILE OPERATING WITH CUTTING BLADE

- Read and understand all safety warnings before operating this unit.
- Always use the shoulder harness when using the brush blade accessory.
- Keep the handle between the operator and cutting attachment or blade at all times.
- NEVER cut with the cutting blade located over 30 inches (76 cm) or more above the ground level.
- **Blade thrust** may occur when the spinning blade contacts an object that it does not immediately cut. **Blade thrust** can be violent enough to cause the unit and/or operator to be propelled in any direction, and possibly lose control of the unit. **Blade thrust** can occur without warning if the blade snags, stalls or binds. This is more likely to occur in areas where it is difficult to see the material being cut.

- For operation with the blade, do not cut anything thicker than 12.7 mm (1/2 in.) or a violent kickback could occur.
- Do not attempt to touch or stop the blade when it is rotating.
- A coasting blade can cause injury while it continues to spin after the engine is stopped or the throttle trigger is released. Maintain proper control until the blade has completely stopped rotating.
- Do not run the unit at high speed when not cutting.
- If you strike or become entangled with a foreign object, stop the engine immediately and check for damage. Have any damage repaired before attempting further operations. Do not operate unit with a bent, damaged or dull blade. Discard blades that are bent, warped, or damaged.
- Do not sharpen the cutting blade. Sharpening the blade can cause the blade tip to break off while in use. This can result in severe personal injury. Replace the blade.
- Do not use the cutting blade for edging or as an edger, severe personal injury to yourself or others can occur. Use the cutting blade only for the purpose as described in this manual.
- Stop the engine IMMEDIATELY if you feel excessive vibration. Vibration is a sign of trouble. Inspect thoroughly for loose nuts, bolts or damage before continuing. Repair or replace affected parts as necessary.

AFTER USE









- Clean cutting blades with a household cleaner to remove any gum buildup. Oil the blade with machine oil to prevent rust.
- Lock up and store the cutting blade in an appropriate area to protect the blade from unauthorized use or damage.

SAVE THESE INSTRUCTIONS

RULES FOR SAFE OPERATION

SAFETY AND INTERNATIONAL SYMBOLS

This operator's manual describes safety and international symbols and pictographs that may appear on this product. Read the operator's manual for complete safety, assembly, operating, maintenance and repair information.

SYMBOL	MEANING
	<p>SAFETY ALERT SYMBOL</p> <p>Indicates danger, warning or caution. May be used in conjunction with other symbols or pictographs.</p>
	<p>WARNING - READ OPERATOR'S MANUAL</p> <p>Failure to follow operating instructions and safety precautions in operator's manual can result in serious injury. Read operator's manual before operating</p>
	<p>WEAR EYE AND HEARING PROTECTION</p> <p>WARNING: The operation of any power tool can be the source of thrown objects and loud noise which can cause severe eye injury and hearing loss. Always wear safety glasses or eye protection and ear protection when operating this unit. Use a full face shield when needed.</p> <p>NOTE: Long term exposure to the sound pressure levels specified may cause permanent loss of hearing. Wear hearing protectors in accordance with AS 1270.</p>
	<p>KEEP BYSTANDERS AWAY</p> <p>WARNING: Keep all bystanders, especially children and pets, at least 15 meters (50 feet) from the trimming area.</p>
	<p>THROWN OBJECTS AND ROTATING CUTTER CAN CAUSE SEVERE INJURY</p> <p>WARNING: Do not operate without the string guard in place. Keep away from rotating cutting head.</p>
	<p>SHARP BLADE</p> <p>WARNING: Sharp blade on string guard. To prevent serious injury, do not touch blade.</p>
	<p>BRUSHCUTTERS: REPLACE DULL BLADES</p> <p>Do not sharpen the cutting blade. Sharpening the blade can cause the blade tip to break off while in use. This can result in severe personal injury.</p>
	<p>TRIMMER/BRUSHCUTTER SAFETY</p> <p>WARNING: Thrown objects and rotating cutter can cause severe injury. Keep bystanders, especially children and pets, at least 50 feet (15 m) away from the cutting area. The cutting attachment shield must be used when using the trimmer cutting attachment.</p>

ASSEMBLY INSTRUCTIONS

INSTALL THE BRUSHCUTTER KIT

The Brush Cutter Kit consists of:

- J-handle and hardware
- Harness
- New cutting attachment mount
- New cutting attachment shield
- Cutting blade
- Blade retainer and nut
- Locking Rod

The D-handle and old cutting attachment shield must be removed and replaced. All other kit items must be assembled before using the unit with the cutting blade.



WARNING: To avoid serious personal injury or damage to the unit, ALL of the items in the brush cutter kit MUST be installed when operating the unit with the cutting blade.

REMOVE THE D-HANDLE

Remove the D-handle before assembling the J-handle.

1. Remove the four (4) screws and four (4) hex nuts with a Phillips screwdriver.
2. Remove the D-handle and bottom handle clamp on the boom shaft. See Figure 1.

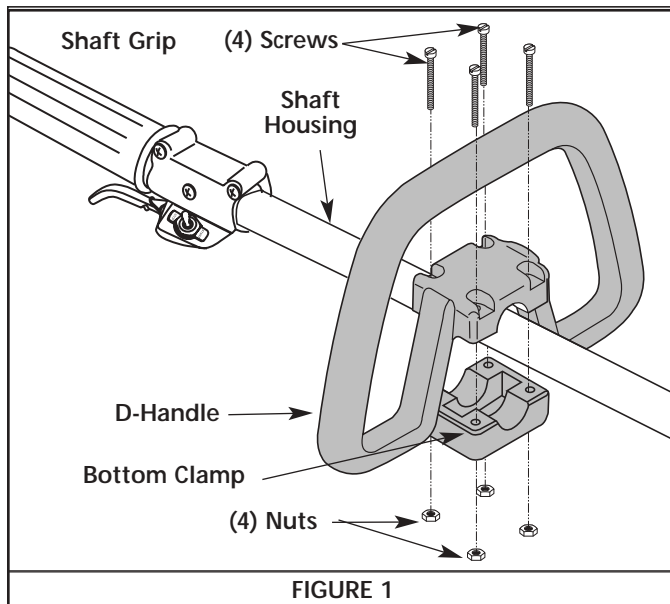


FIGURE 1

INSTALL AND ADJUST THE J-HANDLE Installation

1. Remove the screws, nuts and clamp pieces that were installed on the J-handle for shipping.
2. Lay the unit on its side. On the bottom of the shaft housing is a pre-drilled hole. With a flat blade or Torx T-20 screwdriver, insert the anti-rotation screw through the hole in the bottom clamp and into the hole in the shaft housing. Tighten securely. See Figure 2.

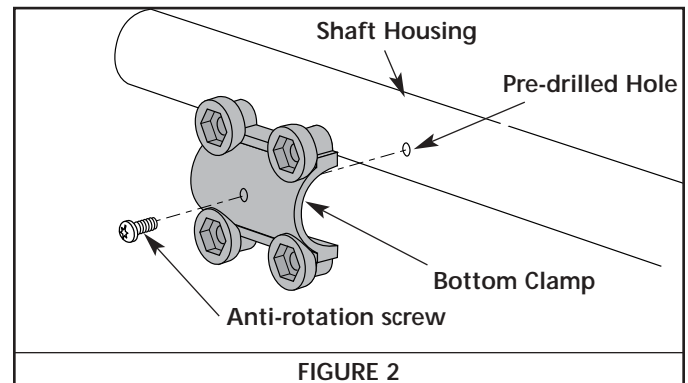


FIGURE 2

3. Place the J-handle between the top and middle clamp pieces. See Figure 3.

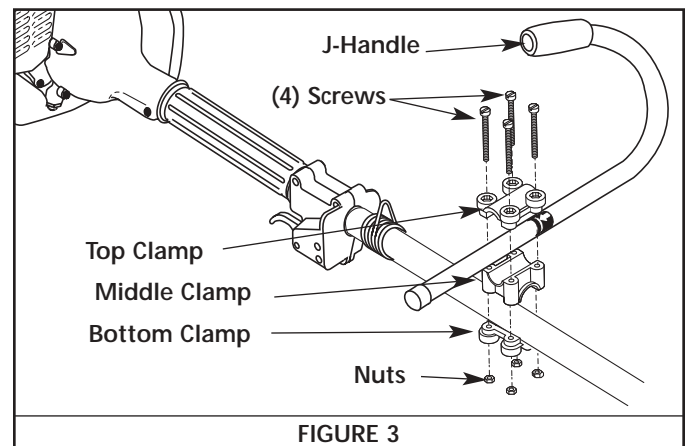


FIGURE 3

4. While holding the three pieces together, install the four (4) screws through the top clamp and into middle clamp.

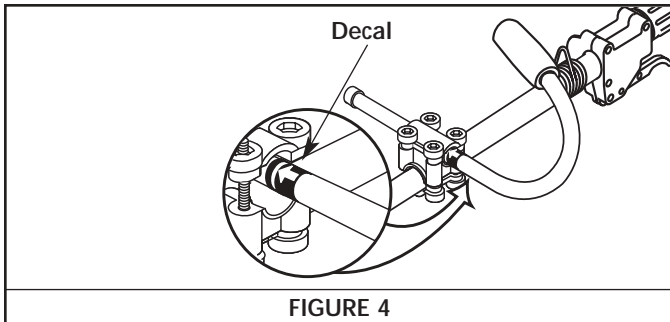
NOTE: *The holes in the top and middle clamp will line up only when assembled correctly.*

5. Place the clamps and J-handle over the shaft housing and onto the bottom clamp.
6. Hold each hex nut in the bottom clamp recess with a finger. Start screws with a large Phillips screwdriver. Do not tighten until you make the handle adjustment.

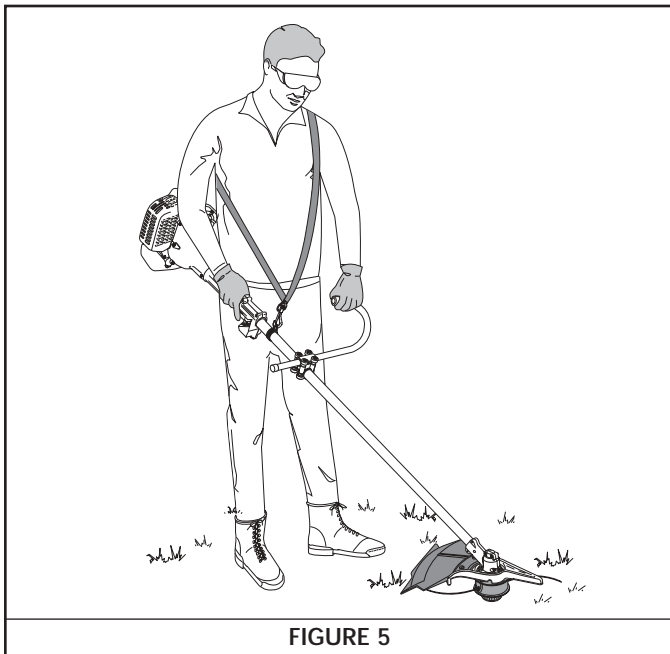
ASSEMBLY INSTRUCTIONS

Adjustment

7. Loosen the screws so that the J-handle easily moves in the clamp assembly. Do not remove the screws or nuts.
8. Slide the J-handle in or out until the arrow/white line on the decal touches the clamp assembly. See Figure 4.



9. While holding the unit in the operating position, arrange the J-handle in the location that provides you with the best grip. See Figure 5.



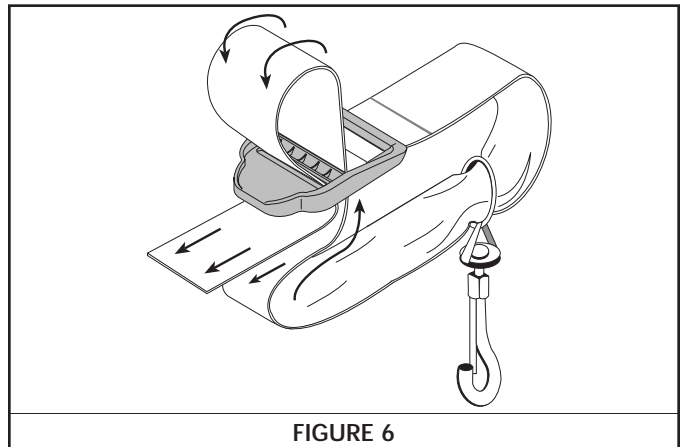
10. Tighten the clamp screws evenly, until the J-handle is secure.

INSTALL THE HARNESS

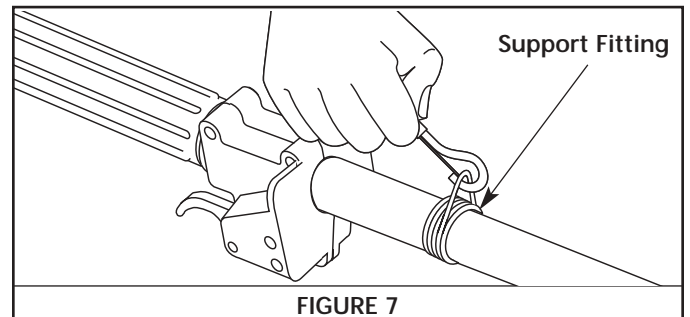


WARNING: To avoid personal injury, always use the shoulder harness when using the cutting blade.

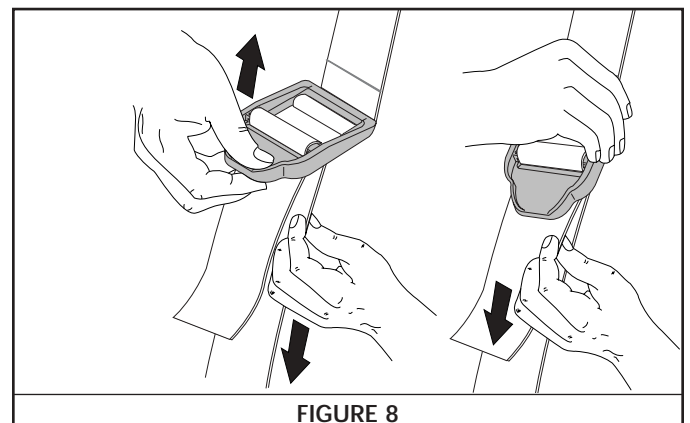
1. Push the strap through the center of the buckle.
2. Pull the strap over the cross bar and down through the slot in the buckle. See Figure 6.



3. Put the harness on over your head and onto your shoulder. Snap it on to the support fitting. See Figure 7.



4. Adjust length to fit the operator's size. Pull tab to lengthen, pull strap to shorten. See Figure 8.



ASSEMBLY INSTRUCTIONS

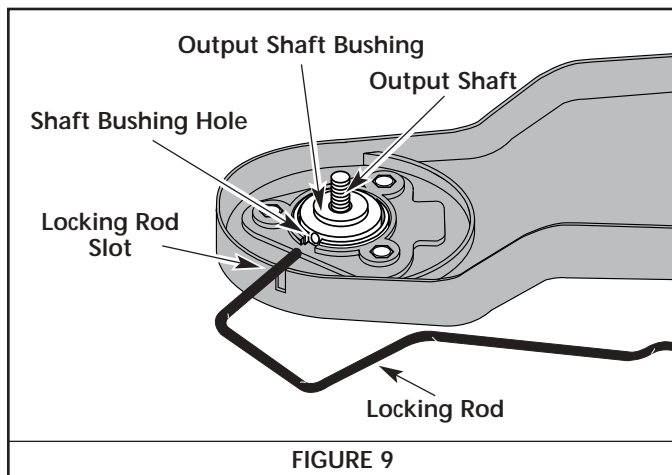
REMOVE THE CUTTING ATTACHMENT

NOTE: To make removing or installing the cutting blade or cutting attachment easier, place the unit on the ground or on a work bench.

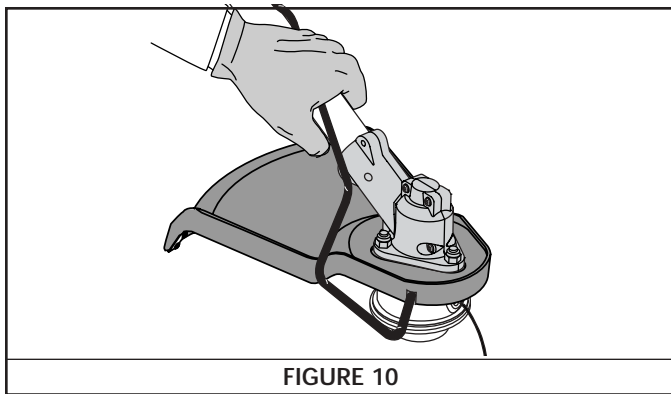


WARNING: The gear housing gets hot with use and can result in injury to the operator. When the unit is turned off it remains hot for a short time. Do not touch the gear housing until it has cooled.

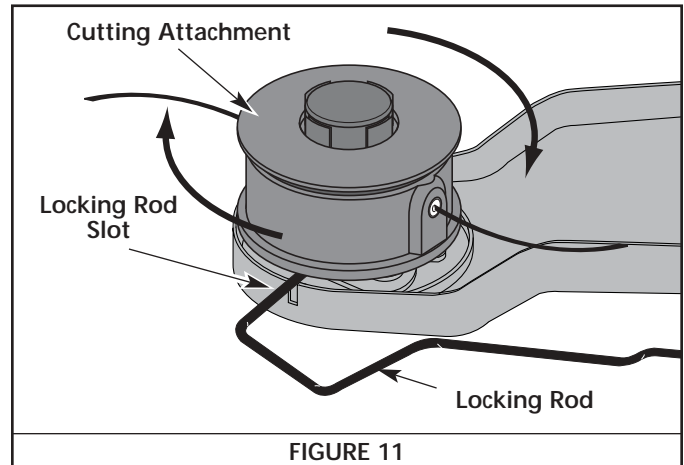
1. Align the shaft bushing hole with the locking rod slot and insert the locking rod into the shaft bushing hole. See Figure 9.



2. Hold the locking rod in place by grasping it next to the boom of the unit. See Figure 10.



3. While holding the locking rod, remove the cutting attachment by turning it clockwise off of the output shaft. Store the cutting attachment for future use. See Figure 11.

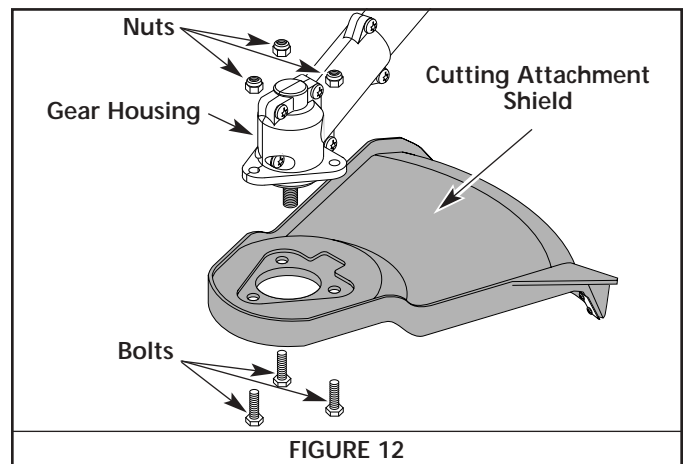


REMOVE THE OLD CUTTING ATTACHMENT SHIELD



WARNING: You MUST remove the cutting attachment shield (on the existing unit) and install the cutting attachment mount (provided with the blade kit) when operating the unit as a brushcutter.

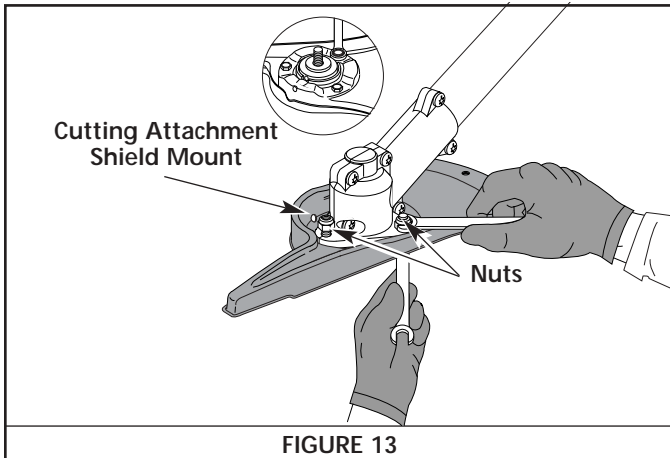
Remove the cutting attachment shield from the gear housing by removing the three (3) bolts and nuts with a 7/16 wrench. Keep the hardware to use while installing the new cutting attachment shield mount. See Figure 12.



ASSEMBLY INSTRUCTIONS

INSTALL THE NEW CUTTING ATTACHMENT SHIELD MOUNT

Install the cutting attachment shield mount on the gear housing by installing the three (3) bolts and nuts removed from the old cutting attachment shield with a 7/16 wrench. Nuts must be positioned on top for correct assembly. See Figure 13.

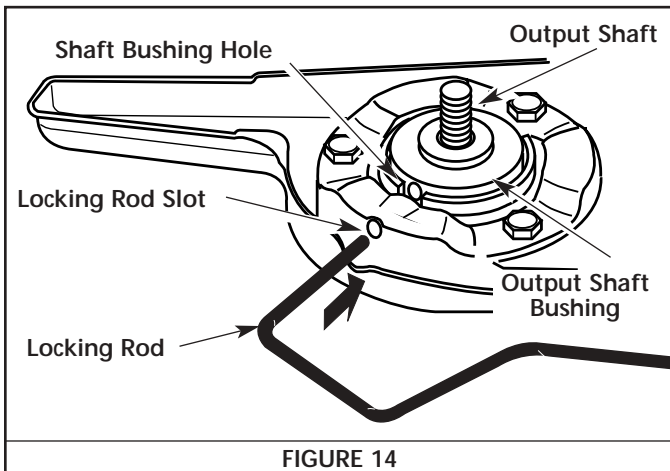


INSTALL THE CUTTING BLADE

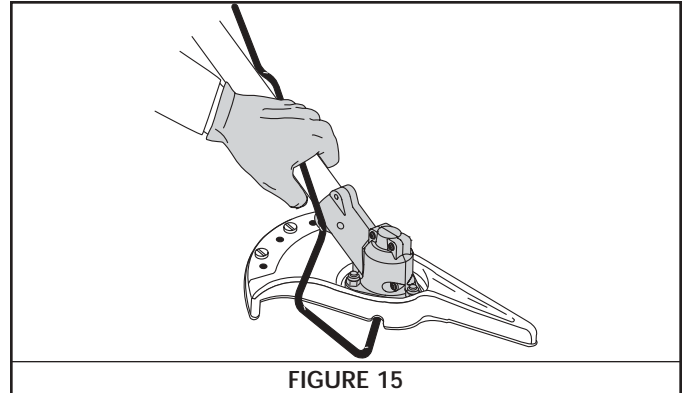


WARNING: To avoid serious personal injury, always wear gloves while handling or installing the blade.

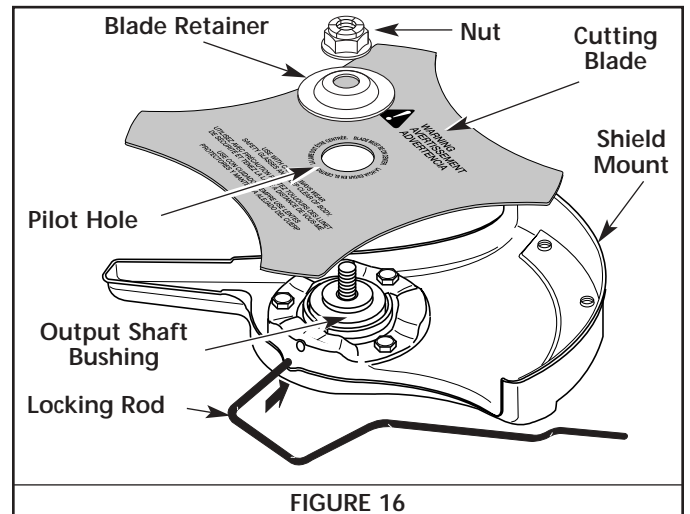
1. Align the shaft bushing hole with the locking rod slot and insert the locking rod into the bushing hole. See Figure 14.



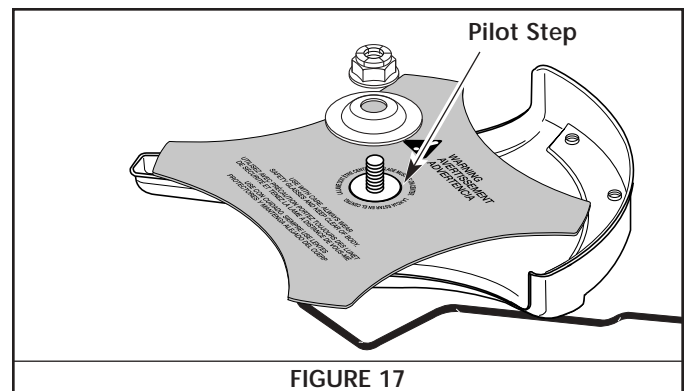
2. Hold the locking rod in place by grasping it next to the boom of the unit. See Figure 15.



3. Place the cutting blade on the output shaft bushing. See Figure 16.



4. Make sure that the cutting blade is centered on the pilot step and sitting flat against the output shaft bushing. See Figure 17.



ASSEMBLY INSTRUCTIONS



WARNING: If the cutting blade is off-center, the unit will vibrate, and the blade may fly off, which can cause serious personal injury.

- Put the blade retainer and nut on the output shaft. Make sure that the blade is installed correctly.
- Tighten nut counterclockwise against the blade while holding the locking rod.

If using a torque wrench and a 5/8-inch socket, tighten to:

325 - 335 in•lb

27 - 28 ft. •lb

37 -38 N•m

Without a torque wrench, use a 5/8-inch closed-end or socket wrench, turning the nut until the blade retainer is snug against the shaft bushing. Make sure that the blade is installed correctly, then rotate the nut an additional 1/4 to 1/2 turn, counterclockwise. See Figure 18.

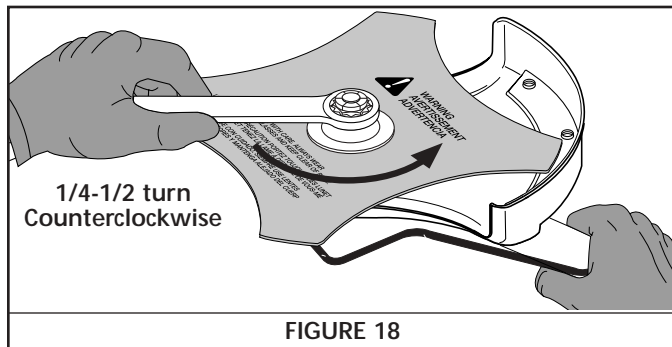


FIGURE 18

- Remove the locking rod from the locking rod slot.



WARNING: To avoid serious personal injury or damage to the unit, do not start or operate this unit with the locking rod in the locking rod slot.



WARNING: Do not sharpen the cutting blade. Sharpening the blade can cause the blade tip to break off while in use. This can result in severe personal injury. Replace the blade.

REMOVE THE CUTTING BLADE AND INSTALL THE CUTTING ATTACHMENT



WARNING: To avoid serious personal injury, always wear gloves while handling or installing the blade.

Remove the Cutting Blade

- Align the shaft bushing hole with the locking rod slot and insert the locking rod into the bushing hole. See Figure 14.
- Hold the locking rod in place by grasping it next to the boom of the unit. See Figure 15.
- While holding the locking rod, loosen the nut on the blade by turning it clockwise with a 5/8-inch closed-end or socket wrench. See Figure 19.

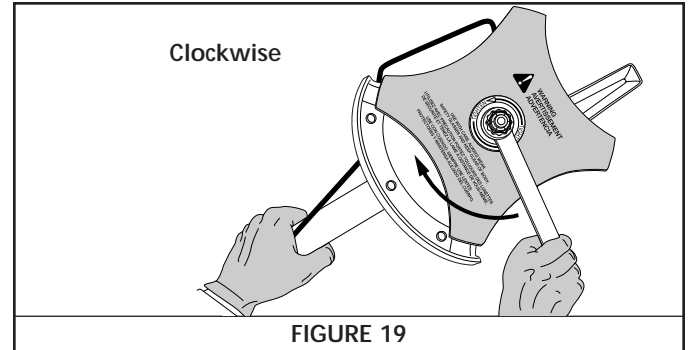


FIGURE 19

- Remove the nut, blade retainer and blade. Store the nut and blade together for future use in a secure place. Store out of reach of children.

Install the Cutting Attachment

- Align the shaft bushing hole with the locking rod slot and insert the locking rod into the shaft bushing hole. See Figure 14. Place the blade retainer on the output shaft with the flat surface against the output shaft bushing as shown in Figure 20. Screw the cutting attachment counterclockwise onto the output shaft. Tighten securely.

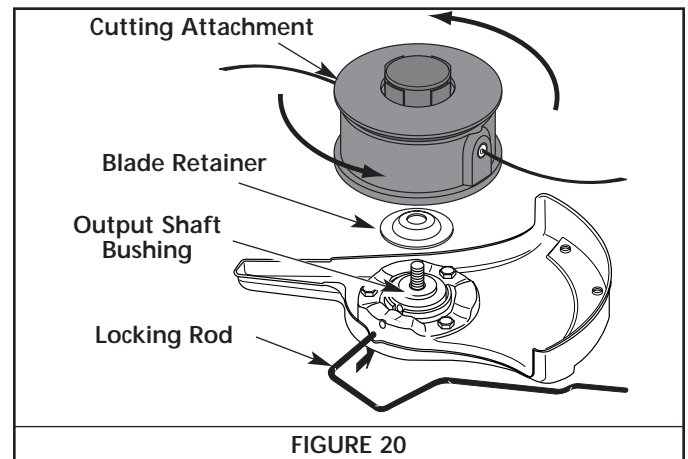


FIGURE 20

NOTE: The blade retainer must be installed on the output shaft in the position shown for the cutting attachment to work correctly.

ASSEMBLY INSTRUCTIONS

- Remove the locking rod.
- Install the cutting attachment shield. See *Remove and Install Cutting Attachment Shield*.



WARNING: To avoid serious personal injury, the cutting attachment shield **MUST** be in place at all times during operation as a grass trimmer.

REMOVE AND INSTALL THE CUTTING ATTACHMENT SHIELD

Remove the cutting attachment shield when using the unit as a brush cutter.



WARNING: The cutting attachment shield should **NOT** be installed when operating the unit with a blade. Remove the cutting attachment shield before removing or installing the blade.

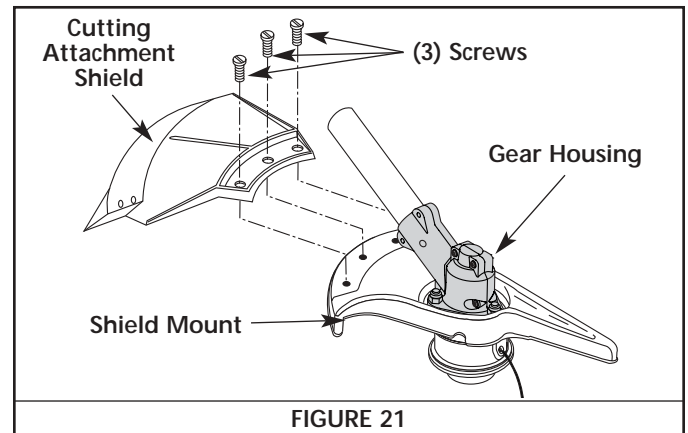
Remove the cutting attachment shield from the shield mount by removing the three (3) screws with a flat blade screwdriver. Store parts for future use. See Figure 21.

Install the cutting attachment shield when using the unit as a grass trimmer.



WARNING: To avoid serious personal injury, the cutting attachment shield **MUST** be in place at all times during operation as a grass trimmer.

Install the cutting attachment shield on the shield mount by inserting the three (3) screws into the shield mount. Tighten securely with a flat blade screwdriver. See Figure 21.



OPERATING INSTRUCTIONS

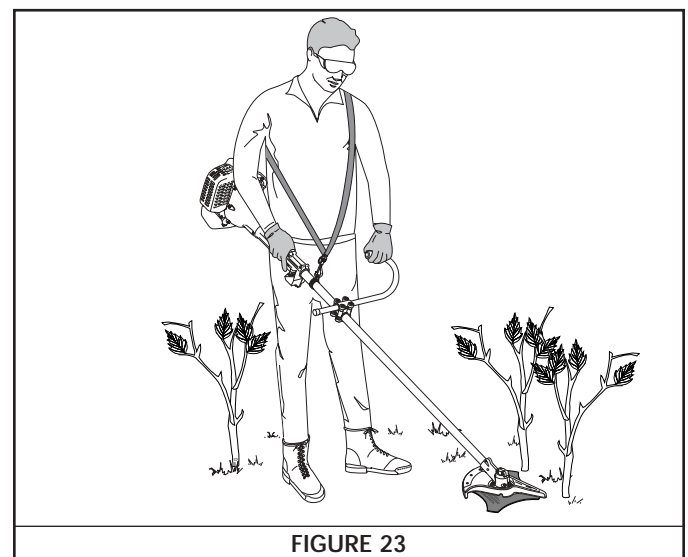
HOLDING THE UNIT



WARNING: Always wear eye, hearing, foot and body protection to reduce the risk of injury when operating this unit.

Before operating the unit, stand in the operating position. See Figure 23. Check for the following:

- The operator is wearing eye protection and proper clothing
- With a slightly-bent right arm, the operator's hand is holding the shaft grip
- The operator's left arm is straight, and the hand is holding the D-Handle
- The unit is at waist level
- The cutting head is parallel to the ground and easily contacts the vegetation without the need to bend over



OPERATING INSTRUCTIONS

USING THE CUTTING BLADE



WARNING: Always wear eye, hearing, foot, body protection and the harness to reduce the risk of injury when operating this unit.



WARNING: Do not use the cutting blade for edging or as an edger; severe personal injury to yourself or others can occur.

Before operating the unit with the cutting blade, stand in the operating position See Figure 23. Refer to the previous section, *Holding the Unit*.

Cutting Blade Operating Tips:

To establish a rhythmic cutting procedure:

- Plant feet firmly, comfortably apart.
- Bring the engine to full throttle before entering the material to be cut. The blade has maximum cutting power at full throttle and is less likely to bind, stall, or cause blade thrust, which can result in serious personal injury to the operator or others.
- Cut while swinging the upper part of your body from right to left. See Figure 24.
- Always release the throttle trigger and allow the engine to return to idle speed when not cutting.
- When done always unsnap unit from harness before taking off the harness.



WARNING: Blade thrust may occur when the spinning blade contacts an object that it does not immediately cut. Blade thrust can be violent enough to cause the unit and/or operator to be propelled in any direction, and possibly lose control of the unit. Blade thrust can occur without warning if the blade snags, stalls or binds. This is more likely to occur in areas where it is difficult to see the material being cut.

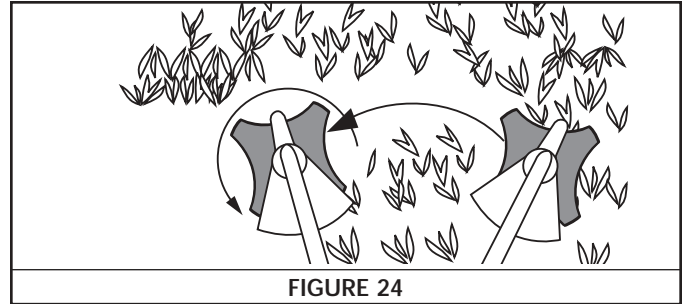


FIGURE 24



WARNING: The blade continues to spin after the engine is turned off. The coasting blade can seriously cut you if you accidentally touch it.

- Swing the unit in the same direction as the blade spins, which increases the cutting action.
- Move forward to the next area to be cut after the return swing and plant feet again.
- The cutting blade is designed with a second cutting edge, which can be used by removing the blade, turning it upside down, and reinstalling it.



WARNING: Do not sharpen the cutting blade. Sharpening the blade can cause the blade tip to break off while in use. This can result in severe personal injury to yourself or others. Replace the blade.

To reduce the chance of material wrapping around the blade, follow these steps:

- Cut at full throttle.
- Swing the unit into material to be cut from your right to your left. See Figure 24.
- Avoid the material just cut as you make the return swing.



WARNING: Do not clear away cut material with the engine running or blade turning. To avoid serious personal injury, turn off engine. Allow the blade to stop before removing materials wrapped around the blade shaft.

Free Manuals Download Website

<http://myh66.com>

<http://usermanuals.us>

<http://www.somanuals.com>

<http://www.4manuals.cc>

<http://www.manual-lib.com>

<http://www.404manual.com>

<http://www.luxmanual.com>

<http://aubethermostatmanual.com>

Golf course search by state

<http://golfingnear.com>

Email search by domain

<http://emailbydomain.com>

Auto manuals search

<http://auto.somanuals.com>

TV manuals search

<http://tv.somanuals.com>