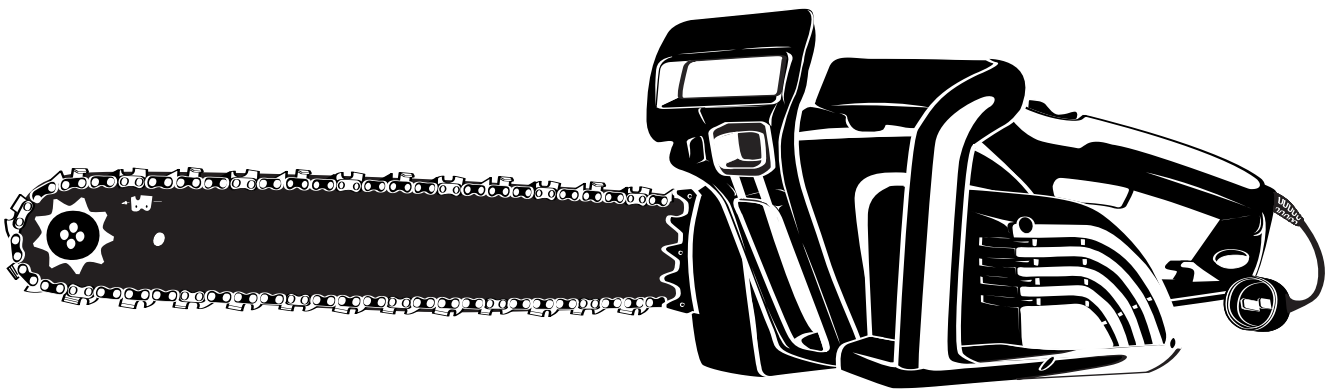




English

Operator's Manual

Electric Chain saws
Model MTD1416NT



**IMPORTANT: READ SAFETY RULES
AND INSTRUCTIONS CAREFULLY**

P/N 6096-211304©2005
PRINTED IN CHINA

INTRODUCTION

THANK YOU

Thank you for buying this quality product. This modern outdoor power tool will provide many hours of useful service. You will find it to be a great labor-saving device. This operator's manual provides you with easy-to-understand operating instructions. Read the whole manual and follow all the instructions to keep your new outdoor power tool in top operating condition.

PRODUCT REFERENCES, ILLUSTRATIONS AND SPECIFICATIONS

All information, illustrations, and specifications in this manual are based on the latest product information available at the time of printing. We reserve the right to make changes at any time without notice.

Copyright© 2004 MTD SOUTHWEST INC, All Rights Reserved.

SERVICE INFORMATION

Service on this unit both within and after the warranty period should be performed only by an authorized and approved service dealer.

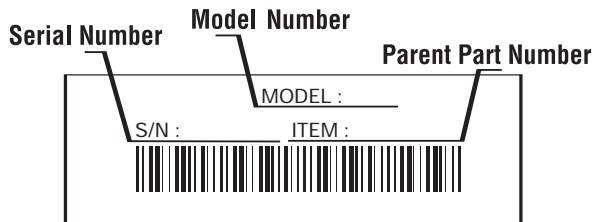
For service call **1-800-668-1238** to obtain a list of authorized service dealers near you. For more details about your unit, visit our website at www.yardmachines.com.

DO NOT RETURN THE UNIT TO THE RETAILER. PROOF OF PURCHASE WILL BE REQUIRED FOR WARRANTY SERVICE.

Before beginning, locate the unit's model plate. It lists the model and serial numbers of your unit. Refer to the sample plate below and copy the information for future reference.

TABLE OF CONTENTS

Service Information	2
Rules for Safe Operation	3
Know Your Unit	8
Starting/Stopping Instructions	10
Operating Instructions	11
Maintenance and Repair Instructions	13
Troubleshooting Chart	19
Specifications	19
Parts List	20
Warranty Information	21



Copy the model and parent part number here: _____

Copy the serial number here: _____

Make sure you carefully read and understand this manual before starting or operating this equipment.

THIS PRODUCT IS COVERED BY ONE OR MORE U.S. PATENTS. OTHER PATENTS PENDING.

RULES FOR SAFE OPERATION

The purpose of safety symbols is to attract your attention to possible dangers. The safety symbols, and their explanations, deserve your careful attention and understanding. The safety warnings do not by themselves eliminate any danger. The instructions or warnings they give are not substitutes for proper accident prevention measures.

SYMBOL	MEANING
--------	---------



SAFETY ALERT: Indicates danger, warning or caution. Attention is required in order to avoid serious personal injury. May be used in conjunction with other symbols or pictographs.

NOTE: Advises you of information or instructions vital to the operation or maintenance of the equipment.

Read the Operator's Manual(s) and follow all warnings and safety instructions.

Failure to do so can result in serious injury to the operator and/or bystanders.

FOR QUESTIONS, CALL 1-800-668-1238

SYMBOL	MEANING
--------	---------



DANGER: Failure to obey a safety warning will result in serious injury to yourself or to others. Always follow the safety precautions to reduce the risk of fire, electric shock and personal injury.



WARNING: Failure to obey a safety warning can result in injury to yourself and others. Always follow the safety precautions to reduce the risk of fire, electric shock and personal injury.



CAUTION: Failure to obey a safety warning may result in property damage or personal injury to yourself or to others. Always follow the safety precautions to reduce the risk of fire, electric shock and personal injury.

• IMPORTANT SAFETY INSTRUCTIONS •

READ ALL INSTRUCTIONS BEFORE OPERATING



WARNING: If correctly used, the chain saw is a quick, easy to handle and efficient tool; if used improperly or without the due precautions it could become a dangerous tool. For pleasant and safe work, always strictly comply with the safety rules that follow and throughout this manual.

- Read the instructions carefully. Be familiar with the controls and proper use of the unit.
- Do not operate this unit when tired, ill or under the influence of alcohol, drugs or medication.
- Only responsible individuals who are familiar with the instructions may operate the chain saw (no one under the age of 16). Provide parental supervision at all times.
- Inspect the unit before use. Replace damaged parts. Make sure all fasteners are in place and secure. Replace parts that are cracked, chipped or damaged in any way.
- Know the controls and know how to stop the chain saw quickly.

- Carry the chain saw with the motor stopped, and with the guide bar and saw chain to the rear.
- When transporting your chain saw, use the appropriate guide-bar scabbard (sheath).

WHILE OPERATING

- Keep all parts of your body away from the chain when the motor is running.
- Wear safety glasses or goggles that are marked as meeting ANSI Z87.1-1989 standards. Also wear ear/hearing protection when operating this unit. Wear a face or dust mask if the operation is dusty. Long sleeve shirts are recommended.
- Wear heavy, long pants, boots or safety footwear and protective gloves. Do not wear loose clothing, jewelry, short pants, sandals or go barefoot. Secure hair above shoulder level.
- Use the unit only in daylight or good artificial light.
- Before you start the motor, make sure that the saw's chain is not contacting anything. Do not cut near electrical cables or power lines.
- Do not start cutting until you have a clear work area, secure footing, and a planned retreat path from the falling tree.

RULES FOR SAFE OPERATION

- Do not operate a chain saw that is damaged, improperly adjusted, or not completely and securely assembled. Be sure that the saw's chain stops moving when the throttle control trigger is released.
- Use extreme caution when cutting small-sized brush and saplings because slender material may catch the chain saw and whip towards you or pull you off balance.
- When cutting a limb that is under tension, be alert for springback so that you will not be struck when the tension in the wood fibers is released
- Do not cut through nails, rods in the tree, railroad ties or pallets. Inspect a tree that you are going to cut for foreign objects that could cause injury or damage to your chain saw.
- After striking a foreign object, stop the motor and thoroughly inspect for damage. Repair as necessary.
- We do not recommend using the chain saw in a tree or on a ladder.
- All chain saw service, other than the items listed in this instruction manual maintenance instructions, should be performed by competent chain saw service personnel.
- Use the right tool. Only use this chain saw for its intended purpose, to cut wood.
- Do not overreach. Always keep proper footing and balance.
- Always hold the unit with both hands when operating. Keep a firm grip on all handles or grips.
- Apply chain brake prior to any repositioning of the operator in the cutting area. As an additional safety precaution, apply the chain brake prior to setting down the saw.
- Never touch the chain or attempt to service the saw while the motor is running. Make sure all moving parts have stopped. Allow the chain saw to cool, as the chain can be hot.
- Check the bar and chain at frequent intervals for proper adjustment. Make sure the bar and chain are properly tightened and sharpened. Visually inspect for damage. Repair any damage before restarting or operating the chain saw.



WARNING: KICKBACK may occur when the nose or tip of the guide bar touches an object, or when the wood closes in and pinches the saw chain in the cut. Tip contact in some cases may cause a lightning-fast reverse reaction, kicking the guide bar up and back towards the operator. Pinching the saw chain along the top of the guide bar may push the guide bar rapidly back toward the operator. Either of these reactions may cause you to lose control of the saw, which could result in serious personal injury.

Do not rely exclusively upon the safety devices built into your saw. As a chain saw user, you should take several steps to keep your cutting jobs free from accident or injury.

KICKBACK SAFETY PRECAUTIONS

- With a basic understanding of kickback, you can reduce or eliminate the element of surprise. Sudden surprise contributes to accidents. Be alert to the potential for kickback at all times.
- Keep a good firm grip on the saw with both hands, the right hand on the rear handle and the left hand on the front handle, when the motor is running. Use a firm grip with thumbs and fingers encircling the chain saw handles. A firm grip will help you reduce kickback and maintain control of the saw. Don't let go.
- Make sure that the area in which you are cutting is free from obstructions. Do not let the nose of the guide bar contact a log, branch, fence, or any other obstruction that could be hit while you are operating the saw.
- Always cut with the motor running at full speed. Fully squeeze the throttle trigger and maintain a steady cutting speed.
- Use only the correct original equipment manufacturer replacement bars, chains and other parts and accessories. These are available from your authorized service dealer. Use of any unauthorized parts or accessories could lead to serious injury to the user, or damage to the unit, and will void your warranty.
- Follow the manufacturer's sharpening and maintenance instructions for the saw chain.
- Use only the replacement guide bars and low kickback chains specified for your saw to avoid injury.

RULES FOR SAFE OPERATION

OTHER SAFETY PRECAUTIONS

- Do not operate a chain saw with one hand! Serious injury to the operator, helpers, bystanders, or any combination of these persons may result from one-handed operation. A chain saw is intended for two-handed use.
- Do not operate a chain saw if you are fatigued.
- Use safety footwear; snug-fitted clothing; protective gloves; and eye, hearing, and head protection devices.
- Do not allow other persons to be near the chain saw when starting or cutting with the chain saw. Keep bystanders and animals out of the work area.
- Do not remove, damage or de-activate any of the safety devices. Never use a damaged, modified, or improperly repaired or assembled chain saw. Check their proper operation regularly. Only use bars and chains of the length indicated in the table herein.
- Never carry out operations or repairs on your own that are other than routine maintenance. For information, contact specialized and authorized workshops only.
- If your chain saw is no longer usable, dispose of it properly without damaging the environment by handing it in to your local dealer who will arrange for its correct disposal.
- Use caution when felling a tree. Make sure you have planned an escape path when felling, and keep all bystanders away.
- Be alert; stop the machine if anyone enters the cutting area, which is usually 3 to 4 feet around the operator.
- Use caution when working in a crew to avoid injury to a fellow worker who may enter the cutting area.
- Only loan your saw to experienced users who are completely familiar with saw operation and correct use. Give other users this manual, which they should read before using the saw. Provide them the operating instructions.

- Shut off the motor before setting down the saw. Do not leave the motor running unattended.
- Store the unit in a dry area, locked up, located up high and located out of the reach of children to prevent unauthorized use or damage.
- Never douse or squirt the unit with water or any other liquid. Keep handles dry, clean and free from debris. Clean after each use.
- Keep these instructions. Refer to them often and use them to instruct other users. If you loan someone this unit, also loan them these instructions.
- Do not use the unit in the rain, in a storm or in inclement weather. Wait until the storm danger has passed before operation of this product.

ELECTRICAL SAFETY WARNINGS

- Since the tool is double-insulated, a 2-wire extension cord (an extension cord without a ground) may be used. A 3-wire extension cord (an extension cord with a ground) that uses a NEMA type connector (parallel blade, U ground) is recommended. Extension cords are available from your local retailer. Use only round-jacketed extension cords approved for outdoor use.
- This tool is double-insulated. Repair or replace damaged cords.
- To reduce the risk of electrical shock, this unit has a polarized plug (one blade is wider than the other). This unit will fit with a polarized plug in one way only. If the plug does not fit fully into the unit, reverse the plug. If it still does not fit, use a cord with the correct connection. Do not modify the unit in any way.



WARNING: To reduce the risk of electrical shock, use only SW-A, SOW-A, STW-A, STOW-A, SJW-A, SJOW-A, SJTW-W or SJTOW-A cord types.

RULES FOR SAFE OPERATION

ELECTRICAL SAFETY WARNINGS (CONT'D)

- **CORD SETS:** Make sure your cord set is in good condition, with a cord that is heavy enough to carry the current that your unit will draw. An undersized cord set will cause a drop in line voltage resulting in a loss of power, as well as overheating. The table shown below illustrates the correct size to use depending on the cord length and nameplate amperage rating. If in doubt, use the next heavier size line gauge. The smaller the gauge number, the heavier the cord. To prevent the cord from disconnecting from the unit, use the cord hook shown in the *Starting/Stopping Instructions*.
- Ground Fault Circuit Interrupter (GFCI) protection should be provided on the circuit(s) or outlet(s) that will be used for the unit. Use receptacles with built-in GFCI protection for an extra measure of safety.
- Avoid dangerous environments. Never operate your unit in damp or wet conditions. Moisture is a shock hazard.
- Inspect all extension cords and the unit power connection periodically. Look closely for deterioration, cuts or cracks in the insulation. Also inspect the connections for damage. Repair or replace the cords if any defects appear.
- Do not handle the plug or the unit with wet hands.
- Examine the electrical switches. Do not use the chain saw if the switches do not properly turn on and off. Do not attempt to make any repairs to the electric switches. Take your saw to an Authorized Service Center.
- Keep the cord away from the cutting area and to position cord so that it will not be caught on branches, and the like, during cutting.
- Use an extension cord heavy enough to carry the current the tool will draw. An undersized cord will cause a drop in line voltage resulting in loss of power and overheating.
- This electric powered saw is classified by CSA as a Class 2C saw. It is intended for infrequent use by homeowner's, cottagers and campers, and for such general applications such as clearing, pruning, cutting firewood, etc. It is not intended for prolonged use. If the intended use involves prolonged periods of operation, this may cause circulatory problems in the user's hands due to vibration. It may be appropriate to use a saw having an anti-vibration feature.










Saw Model	Ampere Rating	Volts AC	Minimum Gauge Wire		
			Length of Power Cord		
			25 ft. / 7.5m	50 ft. / 15m	100 ft. / 30m
MTD1416NT	13.5	110 / 120	16 Gauge	16 Gauge	14 Gauge

SAVE THESE INSTRUCTIONS

RULES FOR SAFE OPERATION

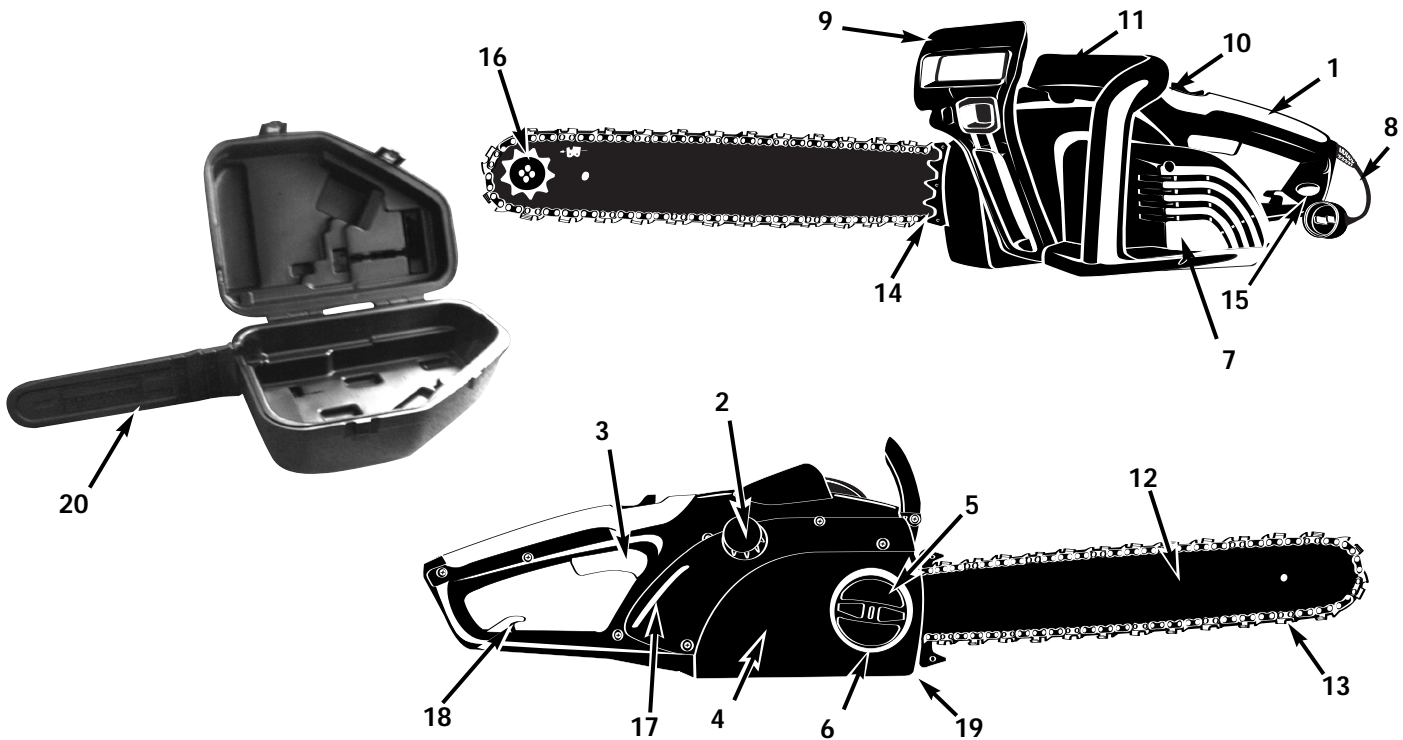
SAFETY AND INTERNATIONAL SYMBOLS

This operator's manual describes safety and international symbols and pictographs that may appear on this product. Read the operator's manual for complete safety, assembly, operating and maintenance and repair information.

SYMBOL	MEANING	SYMBOL	MEANING
	<ul style="list-style-type: none">• SAFETY ALERT SYMBOL Indicates danger, warning, or caution. May be used in conjunction with other symbols or pictographs.	 	<ul style="list-style-type: none">• GUIDE BAR WARNING: Contact of the guide bar tip with any object should be avoided. Tip contact may cause the guide bar to move suddenly upward and backward, which may cause serious injury.
	<ul style="list-style-type: none">• WARNING - READ OPERATOR'S MANUAL Read the Operator's Manual(s) and follow all warnings and safety instructions. Failure to do so can result in serious injury to the operator and/or bystanders.	 	<ul style="list-style-type: none">• USE BOTH HANDS Always use both hands while operating the chain saw. Never use only one hand to operate the saw. Avoid bar nose contact.
	<ul style="list-style-type: none">• WEAR EYE, HEARING AND HARDHAT PROTECTION WARNING: Thrown objects and loud noise can cause severe eye injury and hearing loss. Wear eye protection meeting ANSI Z87.1-1989 standards and ear protection when operating this unit. Wear a hard hat. Use a full face shield when needed.		<ul style="list-style-type: none">• DOUBLE INSULATED Two systems of insulation are provided instead of grounding. There is no grounding provided and no means of grounding should be added to this unit.
	<ul style="list-style-type: none">• DO NOT USE IN THE RAIN WARNING: Avoid dangerous environments. Never operate your unit in the rain, or in damp or wet conditions. Moisture is a shock hazard.		

RULES FOR SAFE OPERATION

KNOW YOUR UNIT



CHAIN SAW COMPONENTS

1. REAR HANDLE
2. OIL TANK CAP
3. TRIGGER START/STOP SWITCH
4. SPROCKET COVER
5. BAR BOLT KNOB
6. CHAIN TENSION RING
7. ELECTRIC MOTOR
8. ELECTRIC CORD
9. CHAIN BRAKE® LEVER / HAND GUARD
10. LOCK / OFF BUTTON
11. FRONT HANDLE
12. GUIDE BAR
13. SAW CHAIN
14. SPIKES
15. REAR HAND GUARD
16. SPROCKET
17. OIL TANK WINDOW
18. CORD RETAINER
19. CHAIN CATCHER
20. CARRY CASE (Available on some models)

SAFETY FEATURES

Numbers preceding the descriptions correspond with the numbers above to help you locate the safety feature.

- 3 TRIGGER START / STOP SWITCH stops saw motor when released.
- 7 ELECTRIC MOTOR is double insulated for added safety.
- 9 CHAIN BRAKE® LEVER / HAND GUARD protects the operator's left hand in the event it slips off the front handle while saw is running.
- 10 LOCK / OFF BUTTON prevents accidental acceleration of the saw motor. The trigger cannot be squeezed unless lock/off button is depressed.
- 13 LOW KICKBACK SAW CHAIN helps significantly reduce kickback, or the intensity of kickback, due to specially designed depth gauges and guard links.
- 19 CHAIN CATCHER reduces the danger of injury in the event saw chain breaks or derails during operation. The chain catcher is designed to intercept a whipping chain.

RULES FOR SAFE OPERATION

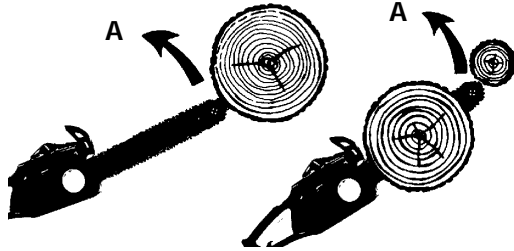
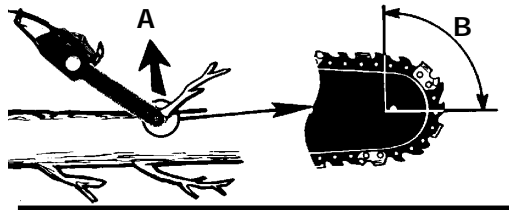
KICKBACK SPECIFICS



WARNING: Kickback can lead to dangerous loss of control of the chain saw and result in serious or fatal injury to the saw operator or to anyone standing close by. Always be alert. Rotational kickback and pinch-kickback are major chain saw operational dangers and the leading cause of most accidents.

Beware of:

Rotational Kickback



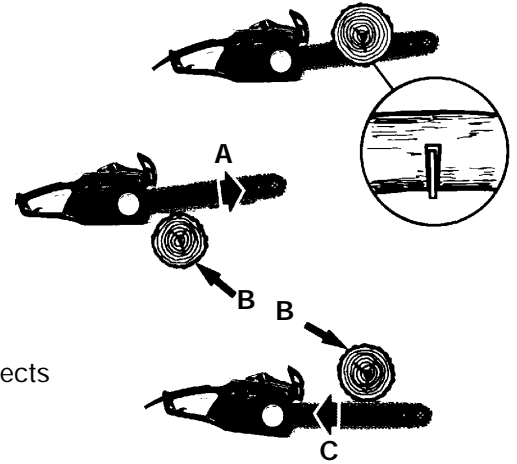
A = Kickback path
B = Kickback reaction zone

Fig. 1

KICKBACK SPECIFICS

Beware of:

Pinch Kickback



A = Pull
B = Solid objects
C = Push

Fig. 2

KICKBACK may occur when the NOSE or TIP of the guide bar touches an object, or when wood closes in and pinches the saw chain in the cut.

Tip contact in some cases may cause a lightning-fast reverse reaction, kicking the guide bar up and back toward the operator.

PINCHING the saw chain along the BOTTOM of the guide bar may PULL the saw forward away from the operator. PINCHING the saw chain along the TOP of the guide bar may PUSH the guide bar rapidly back toward the operator.

Any of these reactions may cause you to lose control of the saw, which could result in serious personal injury.

STARTING/STOPPING INSTRUCTIONS



WARNING: Never operate the saw without the bar and chain properly installed.

STARTING INSTRUCTIONS

1. Fill the oil tank with correct chain and bar oil (Fig. 3). Use a funnel, wipe up any spills and make sure no dirt gets into the tank.

NOTE: The saw chain requires lubrication when in use to minimize friction with the guide bar. The oil tank holds 4.5 ozs of oil, enough to lubricate the chain for 12-15 minutes of sawing. We recommend using original equipment manufacturer Bar and Sprocket Oil, which contains additives to reduce friction wear and reduce resin residue formations.



CAUTION: The oil tank level should be frequently checked during operation to avoid starving the bar and chain of lubrication.

NOTE: Your chain saw is equipped with an Automatic Oiler system and is the ONLY source of lubrication for the bar and chain.

2. Be certain the Chain Brake® is disengaged before starting unit (Fig. 4). Disengage it by pulling backward toward the motor.
3. Hook the extension cord to the extension cord retainer (A) (Fig. 5) that is built into the rear handle. This will prevent the cord from pulling out of the handle. Double the extension cord, about a foot from the end, and insert it through the hole at the end of the handle. Hook the loop formed by doubling the cord over the tab. Gently tug on the cord to ensure that it is firmly retained in the saw's handle. Plug the receptacle end of the extension cord into the tool's power supply cord.



WARNING: Ensure the extension cord is of the proper size and type for your saw.

4. Grip the saw with both hands, left hand holding the front /handle (DO NOT HOLD CHAIN BRAKE®) and the right hand holding the rear handle. Thumbs and fingers should encircle both handles (Fig. 6).



WARNING: Make sure the extension cord does not come in contact with the guide bar and saw chain.

5. With your right thumb, depress the LOCK/OFF button (C) on the top of the rear handle, and at the same time squeeze the trigger. To stop the saw, release the trigger (Fig. 7).

NOTE: It is not necessary to maintain pressure on the LOCK/OFF button once the trigger is squeezed and the motor is running. The LOCK/OFF button is a safety device to avoid accidental starting.

STOPPING INSTRUCTIONS

The saw motor will automatically stop when the trigger is released. To restart the motor, you will have to depress the LOCK/OFF button and squeeze the trigger.

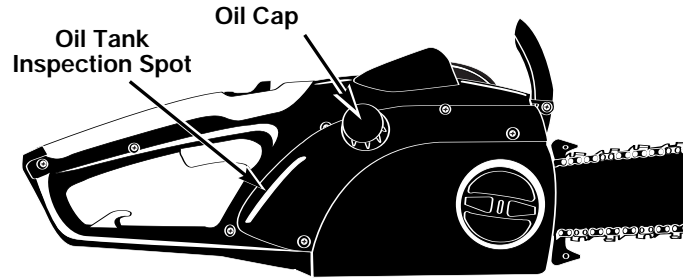


Fig. 3

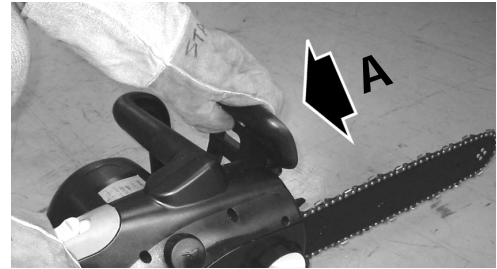


Fig. 4



Fig. 5



Fig. 6

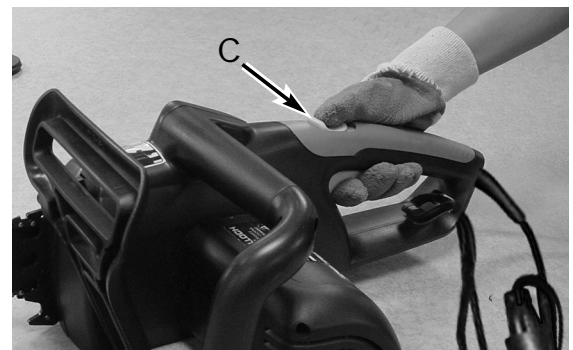


Fig. 7

OPERATING INSTRUCTIONS

FELLING

Felling is the term for cutting down a tree. Small trees up to 6-7 inches (15-18cm) in diameter are usually cut in a single cut. Larger trees require notch cuts. Notch cuts determine the direction the tree will fall.



WARNING: A retreat path (A) should be planned and cleared as necessary before cuts are started. The retreat path should extend back and diagonally to the rear of the expected line of fall, as illustrated in Fig. 8.



CAUTION: If felling a tree on sloping ground, the chain saw operator should keep on the uphill side of the terrain, as the tree is likely to roll or slide downhill after it is felled.

NOTE: Direction of fall (B) is controlled by the notching cut. Before any cuts are made, consider the location of larger branches and natural lean of the tree to determine the way the tree will fall.

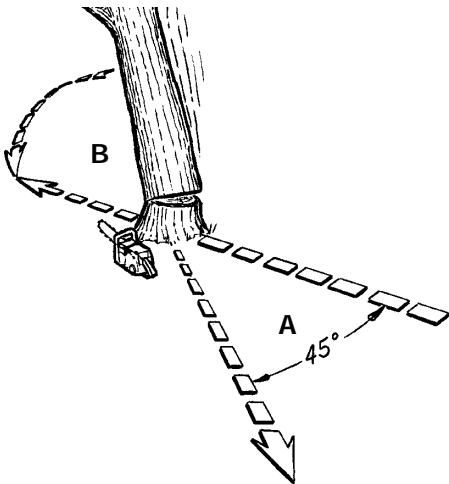


Fig. 8



WARNING: Do not cut down a tree during high or changing winds or if there is a danger to property. Consult a tree professional. Do not cut down a tree if there is a danger of striking utility wires; notify the utility company before making any cuts.

Normally felling consists of 2 main cutting operations, notching (C) and making the felling cut (D).

Start making the upper notch cut (C) on the side of the tree facing the felling direction (E). Be sure you don't make the lower cut too deep into the trunk.

The notch (C) should be deep enough to create a hinge (F) of sufficient width and strength. The notch should be wide enough to direct the fall of the tree for as long as possible.



WARNING: Never walk in front of a tree that has been notched.

Make the felling cut (D) from the other side of the tree and 1.5 - 2.0 inches (3-5 cm) above the edge of the notch (C) (Fig. 9).

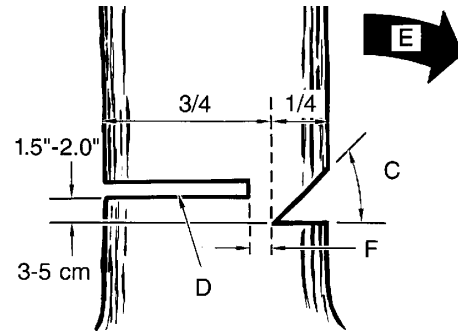


Fig. 9

Never saw completely through the trunk. Always leave a hinge. The hinge guides the tree. If the trunk is completely cut through, control over the felling direction is lost.



WARNING: Before making the final cut, always recheck the area for bystanders, animals or obstacles.

Insert a wedge or felling lever in the cut well before the tree becomes unstable and starts to move. This will prevent the guidebar from binding in the felling cut if you have misjudged the falling direction. Make sure no bystanders have entered the range of the falling tree before you push it over.

Felling Cut:

1. Use wooden or plastic wedges (G) to prevent binding the bar or chain (H) in the cut. Wedges also control felling (Fig. 10).
2. When diameter of wood being cut is greater than the bar length, make 2 cuts as shown (Fig. 11).



WARNING: As the felling cut gets close to the hinge, the tree should begin to fall. When tree begins to fall, remove saw from cut, stop motor, put chain saw down, and leave area along retreat path (Fig. 8).

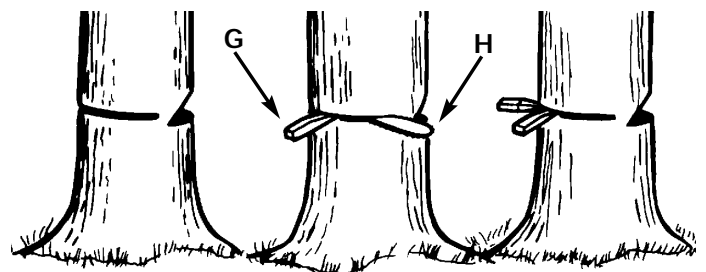


Fig. 10

OPERATING INSTRUCTIONS

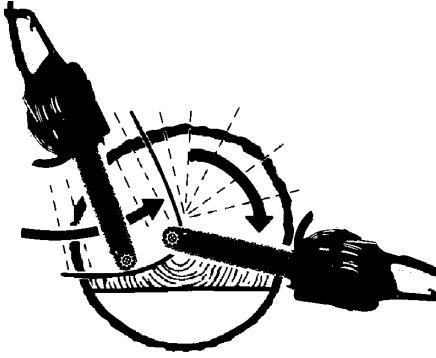


Fig. 11

LIMBING

Limbing a tree is the process of removing the branches from a fallen tree. Do not remove supporting limbs (A) until after the log is bucked (cut) into lengths (Fig. 12). Branches under tension should be cut from the bottom up to avoid binding the chain saw.

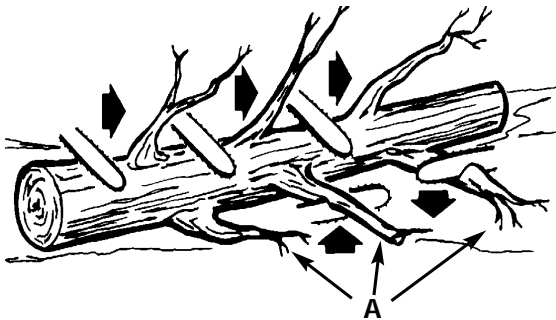


Fig. 12



WARNING: Never cut tree limbs while standing on a tree trunk.

BUCKING

Bucking is cutting a fallen log into lengths. Make sure you have a good footing and stand uphill of the log when cutting on sloping ground. If possible, the log should be supported so that the end to be cut off is not resting on the ground. If the log is supported at both ends and you must cut in the middle, make a downward cut halfway through the log and then make the undercut. This will prevent the log from pinching the bar and chain. Be careful that the chain does not cut into the ground when bucking as this causes rapid dulling of the chain.

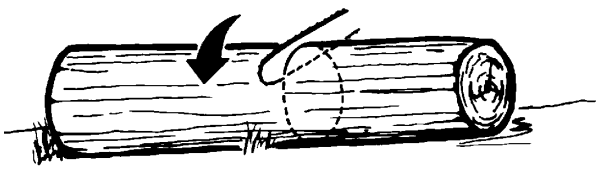


Fig. 13

When bucking on a slope, always stand on the uphill side.

1. Log supported along entire length: Cut from top (overbuck), being careful to avoid cutting into the ground (Fig. 13).
2. Log supported on 1 end: First, cut from bottom (underbuck) 1/3 diameter of log to avoid splintering. Second, cut from above (overbuck) to meet first cut and avoid pinching (Fig. 14).
3. Log supported on both ends: First, overbuck 1/3 diameter of log to avoid splintering. Second, underbuck to meet first cut and avoid pinching (Fig. 15).

NOTE: The best way to hold a log while bucking is to use a sawhorse. When this is not possible, the log should be raised and supported by the limb stumps or by using supporting logs. Be sure the log being cut is securely supported.

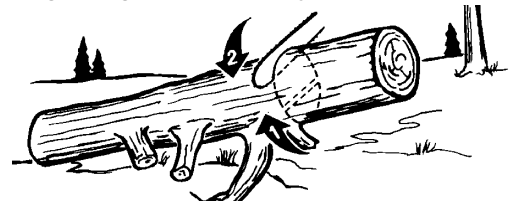


Fig. 14

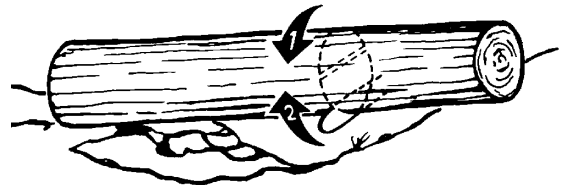


Fig. 15

BUCKING USING A SAWHORSE

For personal safety and ease of cutting, the correct position for vertical bucking is essential (Fig. 16).

- A. Hold the saw firmly with both hands and keep the saw to the right of your body while cutting.
- B. Keep the left arm as straight as possible.
- C. Keep weight on both feet.



CAUTION: While the saw is cutting, be sure the chain and bar are being properly lubricated.

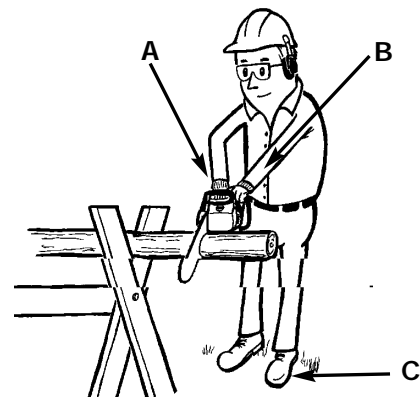


Fig. 16

MAINTENANCE AND REPAIR INSTRUCTIONS

INSTALL THE GUIDE BAR



CAUTION: Disconnect the chain saw from power source before checking or adjusting the chain saw tension.

These instructions are for replacing a bar. The unit is fully assembled when shipped.

Note: Always wear heavy gloves when handling the saw chain.

1. Place the power unit on a flat surface.
2. Loosen knob (B) slightly by turning knob counter-clockwise and then turn the chain tension ring (C) counter-clockwise to relieve chain tension (Fig. 17).
3. To remove the sprocket cover (A), turn knob (B) counter-clockwise. (Fig. 17)
4. Remove saw chain from around the guide bar and the sprocket. Slide the guide bar, with tension plate (D) attached, from the unit. (Fig. 18)
5. Remove screw (C) from the tension plate (D) to remove it from the old bar and attach it to the new bar. (Fig. 19)

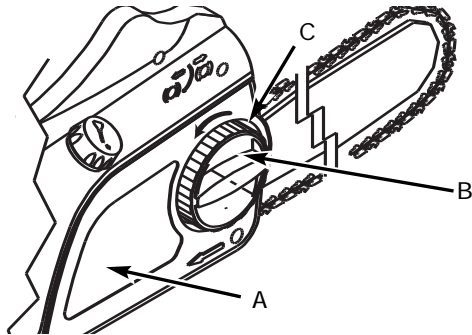


Fig. 17

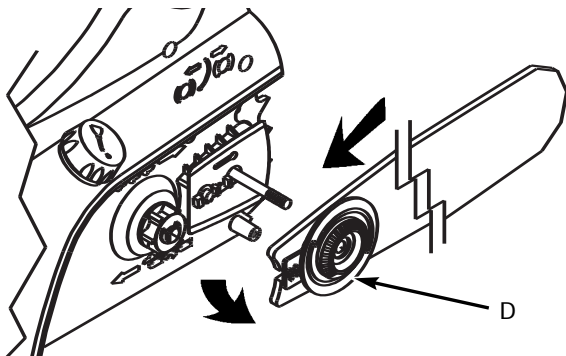


Fig. 18

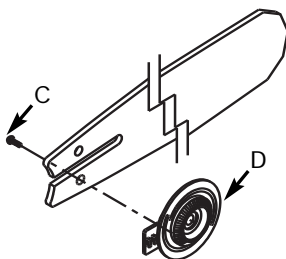


Fig. 19

INSTALL THE SAW CHAIN



WARNING: Always use protective gloves when handling the saw chain.

1. Spread the chain out with the cutting edges (E) of the chain pointing in the DIRECTION OF ROTATION (Fig. 20).
2. To fit the chain links into the groove on the guide bar, turn the tension plate (D) counter-clockwise to the end. Install the chain and bar on the power unit, turn the tension plate (D) clockwise and then put the side cover (A) on (Fig. 21).
3. Turn the knob clockwise, adjust the chain tension ring (F) and then tighten the knob. See Saw Chain Tension Adjustment P14.
4. After running the chain saw even for just 1 hour, retensioning of the chain may be needed. Follow the tension adjustment instructions in the next section.

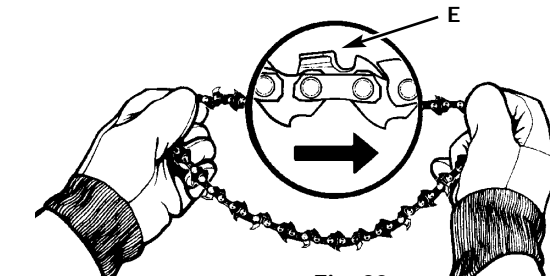


Fig. 20

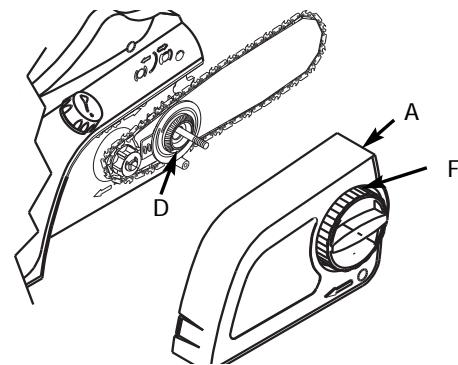


Fig. 21

MAINTENANCE AND REPAIR INSTRUCTIONS

SAW CHAIN TENSION ADJUSTMENT



WARNING: Always use protective gloves when handling the saw chain.

Proper tension of saw chain is extremely important and must be checked before starting, as well as during any cutting operation.

Taking the time to make needed adjustments to the saw chain will result in improved cutting performance and prolonged chain life.

NOTE: A new chain and bar will need readjustment after as few as 5 cuts. This is normal during the break-in period, and the interval between future adjustments will lengthen quickly (Fig. 22).



CAUTION: If saw chain is TOO LOOSE or TOO TIGHT, the sprocket, bar, chain, and crankshaft bearings will wear more rapidly. Study Fig. 22 for information concerning correct cold tension (A), correct warm tension (B), and as a guide for when saw chain needs adjustment (C).

To adjust the saw chain:

NOTE: Make sure the Chain Brake® is disengaged.

Disengage the Chain Brake® (D) by pulling it backward (Fig. 23).

1. Tensioning the chain can be accomplished with relative ease. Turn bar bolt knob (E) counter clock wise. Then turn ring (F) counter clock wise to loosen chain or clock wise to tighten chain (Fig. 24).

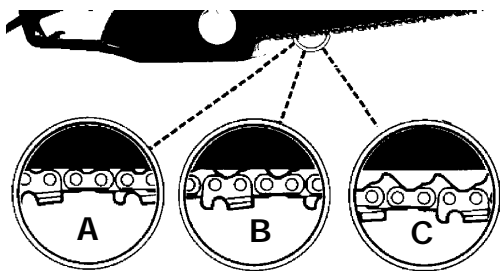


Fig. 22



Fig. 23

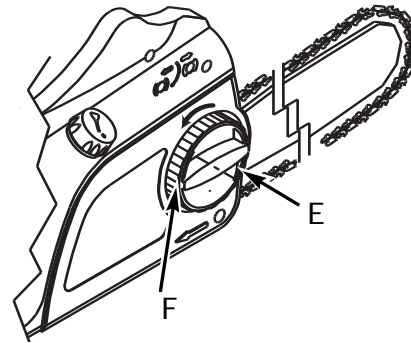


Fig. 24

2. After adjustment and while wearing heavy duty work gloves, move the saw chain back and forth on the guide bar to be sure the chain moves freely and is in proper mesh with sprocket.

NOTE: If the chain is difficult to rotate or if it binds on the guide bar, too much tension has been applied and must be adjusted as described in step 1.

3. While applying tension to the chain, hold the tip of the bar up and then tighten the bar bolt knob (E).

MAINTENANCE AND REPAIR INSTRUCTIONS

CHAIN AND BAR LUBRICATION

Adequate lubrication of the saw chain during cutting operations is essential to minimize friction with the guide bar.

Your chain saw is equipped with an automatic oiler system. The oiler automatically delivers the proper amount of oil to the bar and chain. There is no flow adjustment.

You can check the oil tank level using the inspection slot (D) provided on the right side of the saw. The tank is full when oil is at the top of the slot (Fig. 25).



Fig. 25



CAUTION: Never starve the bar and chain of lubrication oil. Running the saw DRY or with TOO LITTLE OIL will decrease cutting efficiency, shorten chain saw life, and cause rapid dulling of the chain and excessive wear of the bar from overheating. Too little is evidenced by smoke or bar discoloration.

NOTE: The saw chain stretches during use, particularly when it is new, and occasional adjustment will be needed. A new chain requires more frequent adjustment during the break-in period. This is normal. See Section *Saw Chain Tension Adjustment* for instructions.



WARNING: A loose chain can jump off the bar while you are cutting, as well as wear the bar and chain. A chain that is too tight can damage the saw. Either situation, chain too loose or too tight, could cause serious personal injury.

CHAIN BRAKE® / HAND GUARD

This chain saw is equipped with chain brake/hand guard. The Hand Guard protects your left hand in the event it slips off the front handle.

The Chain Brake® is a safety feature which is activated if pressure is applied against the guard or when, in the event of kickback, the operator's hand strikes the lever. When the Chain Brake® is activated, chain movement abruptly stops and the power supply to the motor is immediately cut off.

The purpose of the Chain Brake® is to reduce the possibility of injury due to kickback. The Chain Brake® cannot, however, provide the measure of intended protection if the saw is carelessly operated.

The Chain Brake® is disengaged (chain can move) when the brake is pulled back and locked. This is the normal running position (Fig. 26).



Fig. 26

The Chain Brake® is engaged (chain cannot move) when the brake is in forward position (Fig. 27).

NOTE: The motor will not start if the Chain Brake® is in the engaged position.



Fig. 27



CAUTION: The Chain Brake® should not be used for starting and stopping the saw during normal operation

MAINTENANCE AND REPAIR INSTRUCTIONS

CHAIN BRAKE® TEST

Before cutting with your saw, the Chain Brake® should be tested as follows:

- A. Make sure the Chain Brake® is disengaged (Fig. 26).
- B. Place the saw on a firm, flat, dry surface that is clear of any debris. Do not let the saw come in contact with any objects.
- C. Plug the unit into the power source.
- D. Grasp the front handle (not the Chain Brake®/Hand Guard Lever) with your left hand. Thumb and fingers should encircle the handle.
- E. Grasp the rear handle with your right hand. Thumb and fingers should encircle the handle.
- F. Depress the LOCK/OFF button with your right thumb. Squeeze the trigger with your index finger (Fig. 7).
- G. While the motor is running, activate the Chain Brake® by rolling your left hand forward against the lever.
- H. Chain and motor should stop abruptly.



WARNING: If the chain and motor fail to stop when the Chain Brake® is engaged, take the saw to the nearest Authorized Service Center. Do not use the saw if the Chain Brake® is not in proper working order.

EXTENSION CORDS

When using an electric chain saw, plug it into the extension cord only when you are ready to cut wood. Connect the extension cord to a 110/120 voltage outlet. Refer to the Electrical Safety Warnings section.



CAUTION: A cord that is hot to the touch is overloaded.



WARNING: Do not operate your chain saw in a wet or damp environment. Do not expose the saw to rain, snow or sleet. Moisture will cause short circuits. Replace or repair any damaged or frayed extension cords before using your saw. Keep the cord away from the cutting area and position the cord so that it will not be caught on branches or other objects during cutting.

DOUBLE INSULATION

WHEN SERVICING, USE ONLY IDENTICAL REPLACEMENT PARTS.

Information

Do not use if the cord or plug is damaged. Your appliance is double insulated to help protect against electric shock. Double insulation construction consists of 2 separate "layers" of electrical insulation.

Appliances built with this insulation system are not intended to be grounded. As a result, the extension cord used with your appliance can be plugged into any conventional 120 volt electrical outlet.

Normal safety precautions must be observed when operating an electrical appliance. The double insulation system is only for added protection against injury resulting from a possible internal electrical insulation failure.



WARNING: Your double insulated appliance has no serviceable parts inside. Do not attempt to repair it yourself. For service information, dial 1-800-668-1238.

In this double insulated appliance, 2 systems of insulation, instead of grounding, are provided. No grounding means is provided on a double insulated appliance, nor should a means for grounding be added to the appliance. No serviceable parts are inside. A double insulated appliance is marked with the words, "DOUBLE INSULATION" or "DOUBLE INSULATED." The symbol (square within a square) may also be marked on the appliance.

Maintenance

1. Place switch in OFF position and unplug the power supply before the appliance is serviced, cleaned, or maintenance is performed.
2. Keep the air intake clean and air vents free of debris to avoid overheating the motor.
3. Clean with a damp sponge and mild soap. Do not squirt with a water hose or douse with water or other liquids.
4. Inspect the saw chain for proper tension before each use and frequently during cutting. Sharpen as required.
5. Clean the guide bar and bar pad to ensure free path for oil.
6. No motor lubrication is necessary. The motor is equipped with lifetime lubricated bearings.
7. If the saw does not operate, turn switch to OFF position and disconnect the extension cord, first from the power supply, then from the saw. Check the power supply for blown fuses or tripped circuit breakers. If it still does not operate, contact a Product Service Department. Call 1-800-520-520 for more information.

Do not attempt to repair it yourself. No serviceable parts are inside.

MAINTENANCE AND REPAIR INSTRUCTIONS

GUIDE BAR MAINTENANCE

Frequent lubrication of the guide bar is required. Proper maintenance of the guide bar, as explained in this section, is essential to keep your saw in good working condition.



WARNING: Ensure that the power cord is disconnected before performing any maintenance on your saw.

Sprocket Tip Lubrication



CAUTION: The sprocket tip on your new saw has been pre-lubricated at the factory. Failure to lubricate the guide bar sprocket tip as explained below will result in poor performance and seizure, voiding the manufacturer's warranty.

Lubrication of the sprocket tip is recommended after each saw use. Always thoroughly clean guide bar sprocket tip before lubrication.

The Lube Gun (optional) is recommended for applying grease to the guide bar sprocket tip. The Lube Gun is equipped with a needle nose tip which is necessary for the efficient application of grease to the sprocket tip.

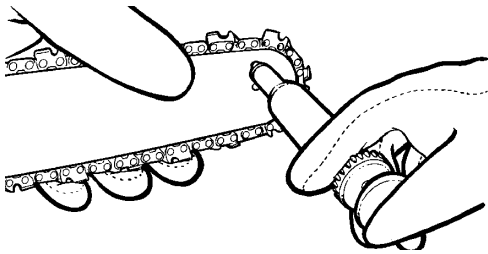


Fig. 28

To lubricate the sprocket tip:

1. Unplug the chain saw from the power source.

NOTE: It is not necessary to remove the saw chain to lubricate the guide bar sprocket tip. Lubrication can be done on the job.



WARNING: Always use protective gloves when handling the saw chain.

2. Clean the guide bar sprocket tip.
3. Using the Lube Gun (optional), insert tip of lube gun into the lubrication hole and inject grease until it appears at outside edge of sprocket tip (Fig. 28).
4. Make sure that the Chain Brake® is deactivated. Rotate saw chain by hand. Repeat lubrication procedure until the entire sprocket tip has been greased.

Maintenance Procedures

Most guide bar problems can be prevented merely by keeping the chain saw well maintained. Incorrect filing and non-uniform cutter and depth gauge settings cause most guide bar problems, primarily resulting in uneven bar wear. As the bar wears unevenly, the rails widen, which may cause chain clatter and difficulty in making straight cuts.

Insufficient guide bar lubrication and operating the saw with chain that is too tight will contribute to rapid bar wear. To help minimize bar wear, the following guide bar maintenance procedures are recommended:

BAR WEAR - Turn guide bar frequently at regular intervals (for example, after 5 hours of use), to ensure even wear on top and bottom of bar.

BAR GROOVES - Bar grooves (or rails which support and carry the chain) should be cleaned if saw has been used heavily or if saw chain appears dirty. Rails should always be cleaned every time saw chain is removed.

OIL PASSAGES - Oil passages on the bar should be cleaned to ensure proper lubrication of the bar and chain during operation. This can be done using a soft wire small enough to insert into the oil discharge hole.

NOTE: The condition of the oil passages can be easily checked. If the passages are clear, the chain will automatically give off a spray of oil within seconds of starting the saw. Your saw is equipped with an automatic oiler system.

Cleaning Bar Rails

1. Remove sprocket cover, bar and chain. Refer to the *Install the Guide Bar/Saw Chain* section.
2. Using a screwdriver, putty knife, wire brush or other similar instrument, clear residue from the rails on the guide bar. This will keep the oil passages open to provide proper lubrication to the bar and chain (Fig. 29).
3. Reinstall the bar, chain, sprocket cover and bar bolt knob. See Section *Install the Guide Bar / Saw Chain* for more information.

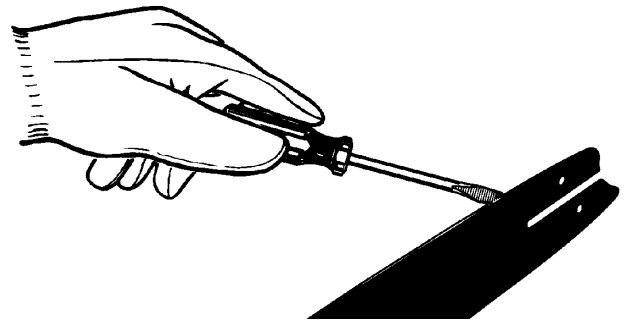


Fig. 29

MAINTENANCE AND REPAIR INSTRUCTIONS

CHAIN MAINTENANCE



WARNING: Unless you have experience and specialized training for dealing with kickback (see Safety Precautions), always use a low-kickback saw chain, which significantly reduces the danger of kickback. Low-kickback saw chain does not completely eliminate kickback. A low-kickback or "safety chain", should never be regarded as total protection against injury.

A low-kickback saw chain should always be used in conjunction with other kickback protection devices such as the Chain Brake®/Hand Guard furnished with your unit.

Always use a replacement saw chain designed as "low-kickback" or a saw chain which meets the low-kickback performance requirements of ANSI (American National Standards Institute).

A standard saw chain (a chain which does not have the kickback reducing guard links) should only be used by an experienced professional chain saw operator.

What is a Low-Kickback Saw Chain?

A low-kickback saw chain is a chain which has met the kickback performance requirements of ANSI B175.1.

By keeping the Chain Brake® and saw chain in good working condition and correctly serviced as recommended in this manual, you will be able to maintain the safety system of your chain saw over the life of the product.

Chain Tension

Check the chain tension frequently and adjust as often as necessary to keep the chain snug on the bar, but loose enough to be pulled around by hand.

Breaking in a New Saw Chain

A new chain and bar will need chain readjustment after as few as 5 cuts. This is normal during the break-in period, and the interval between future adjustments will begin to lengthen quickly.

Over a period of time, however, the moving parts of the saw chain will become worn, resulting in what is called CHAIN STRETCH. This is normal. When it is no longer possible to obtain correct chain tension adjustment, a link will have to be removed to shorten the chain. See your Authorized Service Center to have this repair performed.



WARNING: Never have more than 3 links removed from a loop of chain. This could cause damage to the sprocket.

Chain Lubrication

Always make sure the automatic oiler system is working properly. Keep the oil tank filled with Genuine Factory Parts Chain, Bar and Sprocket Oil.

Adequate lubrication of the bar and chain during cutting operations is essential to minimize friction with the guide bar.

Never starve the bar and chain of lubricating oil. Running the saw dry or with too little oil will decrease cutting efficiency, shorten saw chain life, cause rapid dulling of chain, and lead to excessive wear of bar from overheating. Too little oil is evidenced by smoke or bar discoloration.

Chain Sharpening

Chain sharpening requires special tools to ensure that cutters are sharpened at the correct angle and depth. For the inexperienced chain saw user, we recommend that the saw chain be professionally sharpened by the nearest Authorized Service Center. If you feel comfortable sharpening your own saw chain, special tools are available from your Authorized Service Center.



WARNING: Never remove, modify or make inoperative any safety device furnished with your unit. The Chain Brake® / Hand Guard and low-kickback saw chain are major safety features provided for your protection.

CHAIN REPLACEMENT INFORMATION

There may be other quality equivalent replacement components for achieving kickback protection.

Bar Length	Drive Links	Part Number
16" Bar	55 DL	49M1655P753

TROUBLESHOOTING

UNIT WILL NOT START

CAUSE

Unit is unplugged
GFCI in outlet has tripped (if used)

ACTION

Check cord to make sure it is plugged into an electrical outlet
Reset GFCI

**If further assistance is required, contact your authorized service dealer.
In Canada call :1-800-668-1238 , In US call :1-866-747-9816 for more information.**

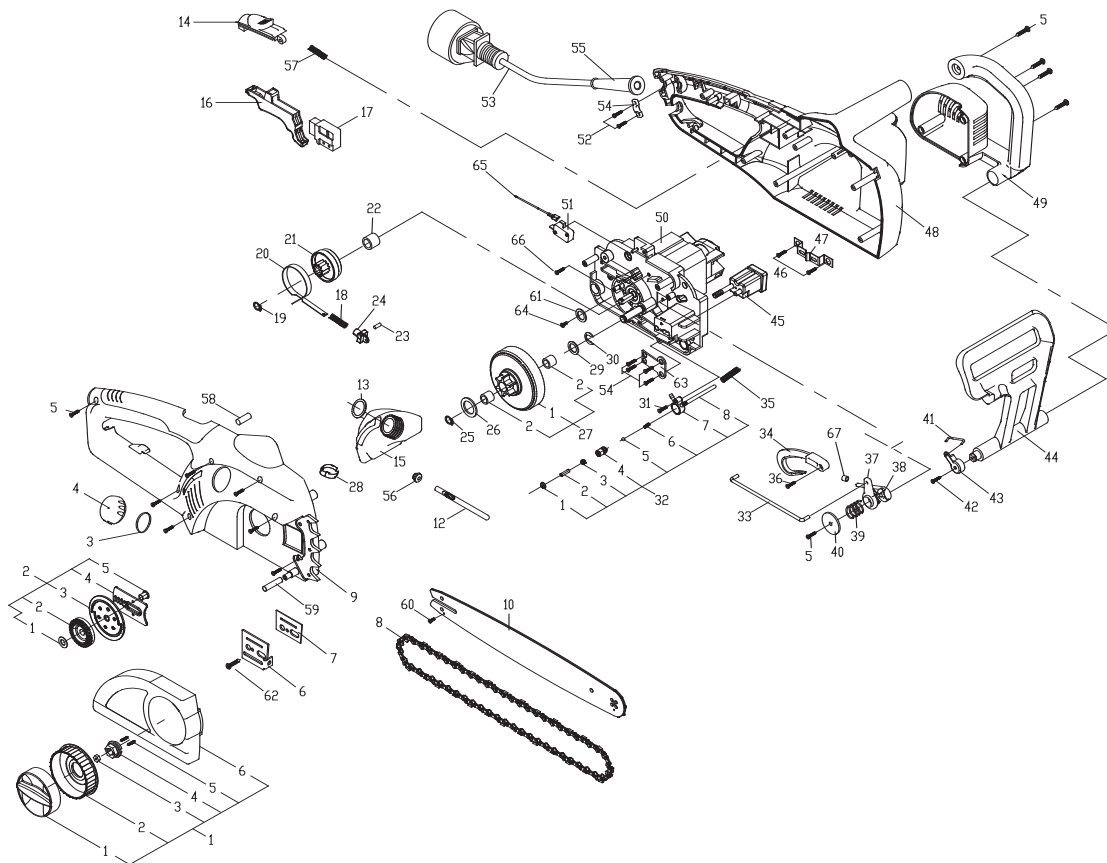
SPECIFICATIONS / FEATURES

Peak H.P. 3 .5HP
Approximate Weight (with bar and chain)9.7 lbs. (MTD1416NT)

Features:

Chain Brake / Hand Guard
Double Insulated
CSA-c-us-Listed
Trigger Lock / Off
Chain Catcher

PARTS LIST



No.	Parts No.	Description	No.	Parts No.	Description
1	6228-211403	HOUSING (R)	35	6024-211507	SPRING
2	6228-211504	CHAIN COVER ASS'Y	36	6SQABB04-20	SCREW
3	6012-210501	WASHER	37	6181-211501	CLUTCH
4	6017-210103	OIL COVER	38	6181-211502	CLUTCH
5	6SDABB04-18	SCREW	39	6024-211503	SPRING
6	6043-211302	ADJUSTMENT PLATE	40	6014-211501	WASHER
7	6050-211301	OIL WASHER	41	6154-211301	CONNECTING BAR
8	6220-210201	CHAIN	42	6SQABB4.5-30	SCREW
9	6038-211505	HOUSING (R)	43	6154-211504	CONNECTOR
10	9040-3101124	BAR	44	6017-211503	FRONT-HAND GUARD
12	6228-211506	OIL PIPE ASS'Y	45	6228-211303	FIXED ASS'Y
13	6076-210503	WASHER	46	6SDABB04-16	SCREW
14	6056-211502	SWITCH BUTTON	47	6079-211503	SPRING
15	6066-211501	OIL TANK	48	6038-211506	HOUSING (L)
16	6028-211502	TRIGGER	49	6086-211501	REAL COVER
17	6022-211502	SWITCH	50	6228-211301	MOTOR GEAR BOX ASS'Y
18	6024-211301	SPRING	51	6022-211501	SWITCH
19	6CY-08	RING	52	6SDABB04-10	SCREW
20	6079-211501	SPRING, BRAKE	53	6011-211502	POWER CORD
21	6073-211501	GEAR	54	6043-840001	STRAIN RELIEF
22	6059-210201	ADJUSTMENT COVER	55	6059-855001	CORD GUARD
23	6115-211502	PIN	56	6012-211501	RUBBER STOP
24	6154-211502	CONNECTION	57	6024-211506	SPRING
25	6CG-9.5	C RING	58	6PC05-14.7	PIN
26	6014-210502	WASHER	59	6PC4.4-35	PIN
27	6228-210104	GEAR BEARING ASS'Y	60	6SQAB-04-06	SCREW
28	6077-211501	COVER	61	6WFB-03-12	WASHER
29	6057-210102	WASHER	62	6SDABB03-15	SCREW
30	6CC-10	C RING	63	6158-211502	PLATE
31	6SDABB03-18	SCREW	64	6SLABB03-06	SCREW
32	6228-210105	OIL PUMP ASS'Y	65	6010-211301	WIRE
33	6188-211501	PULL BAR	66	6SDABB04-14	SCREW
34	6114-211501	PULL PLATE	67	6124-TH0101	SLEEVE

MANUFACTURER'S LIMITED WARRANTY FOR:



The limited warranty set forth below is given by MTD LLC ("MTD") with respect to new merchandise purchased and used in the United States and Canada, its possessions and territories.

MTD warrants this product against defects in material and workmanship for a period of two (2) years commencing on the date of original purchase and will, at its option, repair or replace, free of charge, any part found to be defective in material or workmanship. This limited warranty shall only apply if this product has been operated and maintained in accordance with the Operator's Manual furnished with the product, and has not been subject to misuse, abuse, commercial use, neglect, accident, improper maintenance, alteration, vandalism, theft, fire, water or damage because of other peril or natural disaster. Damage resulting from the installation or use of any accessory or attachment not approved by MTD for use with the product(s) covered by this manual will void your warranty as to any resulting damage. This warranty is limited to ninety (90) days from the date of original retail purchase for any MTD product that is used for rental or commercial purposes, or any other income-producing purpose.

HOW TO OBTAIN SERVICE: Warranty service is available, WITH PROOF OF PURCHASE THROUGH YOUR LOCAL AUTHORIZED SERVICE DEALER. To locate the dealer in your area, please check for a listing in the Yellow Pages or contact the Customer Service Department of MTD LLC by calling 1-866-747-9816 or writing to P.O. Box 361131, Cleveland OH 44136-0019 or if in Canada call 1-800-668-1238. No product returned directly to the factory will be accepted unless prior written permission has been extended by the Customer Service Department of MTD LLC.

This limited warranty does not provide coverage in the following cases:

- A. Guide ,Bar ,Chain.
- B. MTD does not extend any warranty for products sold or exported outside of the United States of America and Canada, its possessions and territories, except those sold through MTD's authorized channels of export distribution.

MTD reserves the right to change or improve the design of any MTD Product without assuming any obligation to modify any product previously manufactured.

No implied warranty, including any implied warranty of merchantability or fitness for a particular purpose, applies after the applicable period of express written warranty above as to the parts as identified. No other express warranty or guaranty, whether written or oral, except as mentioned above, given by any person or entity, including a dealer or retailer, with respect to any product shall bind MTD. During the period of the Warranty, the exclusive remedy is repair or replacement of the product as set forth above. (Some states do not allow limitations on how long an implied warranty lasts, so the above limitation may not apply to you.)

The provisions as set forth in this Warranty provide the sole and exclusive remedy arising from the sales. MTD shall not be liable for incidental or consequential loss or damages including, without limitation, expenses incurred for substitute or replacement lawn care services, for transportation or for related expenses, or for rental expenses to temporarily replace a warranted product. (Some states do not allow limitations on how long an implied warranty lasts, so the above limitation may not apply to you.)

In no event shall recovery of any kind be greater than the amount of the purchase price of the product sold. Alteration of the safety features of the product shall void this Warranty. You assume the risk and liability for loss, damage, or injury to you and your property and/or to others and their property arising out of the use or misuse or inability to use the product.

This limited warranty shall not extend to anyone other than the original purchaser, original lessee or the person for whom it was purchased as a gift.

How State Law Relates to this Warranty: This warranty gives you specific legal rights, and you may also have other rights which vary from state to state.

To locate your nearest service dealer dial 1-866-747-9816 in the United States or 1-800-668-1238 in Canada.

MTD LLC
P.O. Box 361131
Cleveland, OH 44136-0019

YARD MACHINES

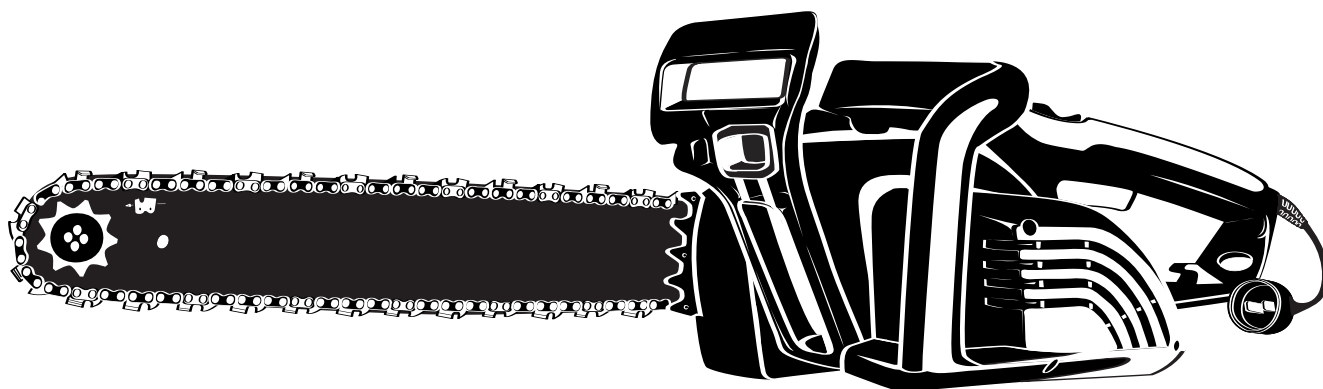
by **MTD**

Français

Manuel de L'utilisateur

Tronçonneuses
Electriques

Modèle MTD1416NT



**IMPORTANT: READ SAFETY RULES
AND INSTRUCTIONS CAREFULLY**

MANUEL IMPORTANT

À NE PAS JETER

P/N 6096-211304©2005
IMPRIMÉ AUX CHINE

INTRODUCTION

TOUS NOS REMERCIEMENTS

Nous vous remercions d'avoir acheté ce produit de qualité. Cet outil mécanique de plein air moderne est conçu pour vous rendre service pendant longtemps. Il vous sauvera beaucoup de temps comme vous pourrez vous en rendre compte. Ce manuel de l'utilisateur comporte un mode d'emploi facile à comprendre. Prenez soin de lire le manuel au complet et suivez toutes ses instructions à la lettre afin de conserver votre nouvel outil mécanique de plein air en excellent état de fonctionnement.

RÉFÉRENCES, ILLUSTRATIONS ET SPÉCIFICATIONS RELATIVES AU PRODUIT

Toutes les informations, illustrations et spécifications contenues dans ce manuel tiennent compte des dernières informations techniques disponibles au moment de mettre sous presse. Nous nous réservons le droit d'y apporter des modifications à tout moment, sans préavis.

Copyright© 2004 MTD SOUTHWEST INC., Tous droits réservés.

INFORMATIONS D'ENTRETIEN

Tout entretien effectué sur cet appareil pendant et après la période de garantie doit être fait par un concessionnaire agréé uniquement. Obtenez la liste des concessionnaires agréés appelez le **1-800-668-1238**. Pour de plus amples informations à propos de votre appareil, visitez www.yardmachines.com.

NE RETOURNEZ PAS L'APPAREIL AU DÉTAILLANT CHEZ QUI VOUS L'AVEZ ACHETÉ. TOUT SERVICE SOUS GARANTIE NÉCESSITE UNE PREUVE D'ACHAT.

Avant d'assembler votre nouvel équipement, repérez la plaque signalétique de l'appareil et copiez ses informations dans l'espace ci-dessous. Ces informations sont essentielles si vous désirez obtenir de l'aide auprès de notre service technique ou d'un distributeur agréé. Un exemple de plaque signalétique est présenté ci-dessous.

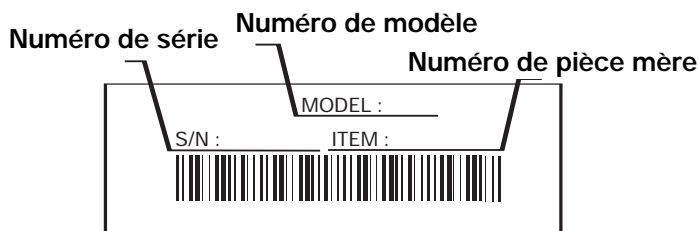


TABLE DES MATIÈRES

Service technique	23
Consignes de sécurité	24
Familiarisez-vous avec votre appareil	29
Instructions de démarrage et d'arrêt	31
Mode d'emploi	32
Entretien et réparations	34
Tableau de dépannage	40
Caractéristiques	40
Liste des Pièces	41
Garantie	42

Copiez le numéro de modèle / pièce mère ici : _____

Copiez le numéro de série ici : _____

Prenez soin de lire et de bien comprendre ce manuel avant de démarrer ou de faire fonctionner cet équipement.

CE PRODUIT EST COUVERT PAR UN OU PLUSIEURS BREVETS AMÉRICAINS, ET D'AUTRES SONT EN INSTANCE.

CONSIGNES DE SÉCURITÉ

Les symboles de sécurité attirent votre attention sur des dangers potentiels. Ces symboles et leurs détails explicatifs méritent que vous les lisiez et compreniez bien. Les avertissements de sécurité ne peuvent éviter les dangers de par eux-mêmes. Les consignes ou mises en garde qu'ils donnent ne remplacent pas des mesures préventives appropriées contre les accidents.

SYMBOLE SIGNIFICATION



ALERTE DE SÉCURITÉ:

indique un danger, un avertissement ou une mise en garde. Soyez vigilant afin d'éviter toute blessure grave. Ce symbole peut être combiné à d'autres symboles ou pictogrammes.

REMARQUE: donne des informations ou des instructions vitales pour le fonctionnement ou l'entretien de l'équipement.

Lisez le(s) manuel(s) de l'utilisateur et suivez tous les avertissements et consignes de sécurité. Vous pourriez à défaut entraîner des blessures graves pour vous ou d'autres personnes.

SI VOUS AVEZ DES QUESTIONS, APPELEZ LE
1-800-668-1238

SYMBOLE SIGNIFICATION



DANGER: le non-respect d'un avertissement peut causer dommages matériels ou blessures graves pour tous. Respectez les consignes de sécurité afin de réduire les risques d'incendie, d'électrocution et de blessures.



AVERTISSEMENT: le non-respect d'un avertissement peut causer dommages matériels ou blessures graves pour tous. Respectez les consignes de sécurité afin de réduire les risques d'incendie, d'électrocution et de blessures.



MISE EN GARDE: le non-respect d'un avertissement peut causer dommages matériels ou blessures graves pour tous. Respectez toujours les consignes de sécurité afin de réduire les risques d'incendie, d'électrocution et de blessures.

• IMPORTANTES CONSIGNES DE SÉCURITÉ •

LIRE TOUTES LES INSTRUCTIONS AVANT UTILISATION



AVERTISSEMENT: Si vous utilisez correctement la tronçonneuse, vous aurez un instrument de travail rapide, pratique et efficace ; utilisé de façon non correcte ou sans adopter les précautions nécessaires, cet instrument pourrait s'avérer dangereux. Pour que votre travail soit toujours agréable et sûr, respectez scrupuleusement les mesures de sécurité reportées ici et au cours du manuel.

- Veuillez lire les instructions avec soin. Familiarisez-vous avec les commandes et l'utilisation correcte de cet appareil.
- N'utilisez pas l'appareil si vous êtes fatigué, malade ou sous l'effet de l'alcool, de drogues ou de médicaments.
- Ne laissez pas les enfants faire fonctionner l'appareil. Ne laissez jamais des adultes qui ne se sont pas familiarisés avec les instructions utiliser l'appareil. Ne laissez jamais des adultes n'ayant jamais reçu les instructions nécessaires faire fonctionner l'appareil.
- Inspectez l'appareil avant utilisation. Remplacez les pièces endommagées. Assurez-vous que les fixations sont solidement en place. Remplacez les pièces de l'accessoire de coupe qui sont fendillées, ébréchées ou endommagées.
- Connaissez la fonction des commandes et sachez comment arrêter la tronçonneuse rapidement.
- Quand vous transportez votre tronçonneuse, veuillez utiliser le protège-lame approprié.

- Après avoir arrêté le moteur, transporter la tronçonneuse par sa poignée avant, le guide-chaîne et chaîne dirigés vers l'arrière.

PENDANT L'UTILISATION DE L'APPAREIL

- Portez des lunettes de sécurité conformes aux normes ANSI Z87.1-1989 ainsi que des protège-oreilles durant l'utilisation de l'appareil. Portez un masque facial ou antipoussières si vous travaillez dans un lieu poussiéreux. Il est recommandé de porter des chemises à manches longues.
- Portez des pantalons épais et longs, des bottes et des gants. Ne marchez pas pieds nus et ne portez pas les articles suivants : vêtements lâches, bijoux, pantalons courts, sandales. Relevez les cheveux au-dessus du niveau des épaules.
- N'utilisez l'appareil qu'en plein jour ou avec un bon éclairage artificiel.
- Avant d'entreprendre l'abattage, veillez à vous tenir sur une surface stable afin de ne pas perdre l'équilibre, vérifiez que votre zone de travail et voie de retraite sont sans obstacle.
- Rester à l'écart de la chaîne lorsque le moteur est en marche.
- Avant de faire démarrer le moteur, s'assurer que la chaîne de la tronçonneuse ne puisse pas entrer en contact avec quoi que ce soit.
- Ne jamais utiliser une tronçonneuse endommagée, mal ajustée, non complètement ou incorrectement montée. S'assurer qu'il y a arrêt de la chaîne quand la gâchette est relâchée.

CONSIGNES DE SÉCURITÉ

- Etre extrêmement prudent lors de la coupe de petits buissons et arbustes car les matériaux plus fins peuvent «s'attraper» dans la chaîne et être projetés dans votre direction ou vous faire perdre l'équilibre.
- Pendant la coupe d'un tronc ou d'une branche en tension, faites attention à ne pas vous faire surprendre par le relâchement instantané de la tension du bois.
- Ne coupez pas à travers des clous, des tiges de fer dans l'arbre, des traverses de chemin de fer ou des palettes. Inspectez l'arbre que vous allez couper pour voir s'il ne renferme pas d'objets étrangers qui pourraient vous blesser ou endommager la tronçonneuse.
- Si vous rencontrez un objet étranger, coupez le moteur et inspectez soigneusement la tronçonneuse pour voir si elle n'est pas endommagée. Réparez si nécessaire.
- Nous déconseillons l'utilisation de la tronçonneuse dans un arbre ou sur une échelle.
- Tous autres services d'entretien de la tronçonneuse, à l'exception de ceux indiqués dans le manuel d'utilisation et d'entretien, doivent être accomplis par un personnel de réparation de tronçonneuse compétent.
- Utiliser le bon outil. Ne couper que du bois. Ne pas utiliser la tronçonneuse à des fins pour lesquelles elle n'apas été conçue. Ne jamais utiliser la tronçonneuse pour couper plastique, maçonnerie, ou tout autre matériel n'étant pas pour la construction.
- Ne vous étirez pas trop loin. Gardez toujours une bonne assise et votre équilibre.
- Tenez toujours la tronçonneuse à deux mains lorsque vous l'opérez. Tenez toujours fermement toutes les poignées ou prises.
- Engagez le frein de chaîne lorsque vous vous déplacez dans la zone de coupe. Comme précaution supplémentaire, engagez le frein de chaîne avant de déposer la tronçonneuse par terre.
- Ne touchez jamais la chaîne et n'essayez jamais de travailler à la tronçonneuse lorsque le moteur tourne. Assurez-vous que toutes les pièces mobiles soient bien arrêtées. Laissez la tronçonneuse refroidir car la chaîne peut être chaude.
- Vérifiez le guide-chaîne et la chaîne régulièrement et ajustez si nécessaire. Assurez-vous que le guide-chaîne et la chaîne soient bien serrés et que la chaîne soit bien aiguisée. Inspectez visuellement pour tout dommage. Réparez tout dommage avant d'utiliser ou de remettre la tronçonneuse en marche.



AVERTISSEMENT: Les rebonds peuvent se produire si la tête du guide-chaîne touche un objet, ou si le bois se resserre sur la chaîne de la tronçonneuse dans la coupe. Si un contact a lieu avec la tête du guide-chaîne, la tronçonneuse peut, en l'espace d'une seconde, être projetée de manière incontrôlée dans un mouvement en arc, en direction de l'opérateur. Coincer la chaîne le long de la partie supérieure du guide-chaîne peut pousser le guide-chaîne peut pousser le guide-chaîne vers l'arrière, vers l'opérateur. Chacune de ces réactions peut vous faire perdre contrôle de la tronçonneuse et peut entraîner de sérieuses blessures.

Ne comptez pas exclusivement sur les dispositifs de sécurité qui équipent votre tronçonneuse. Vous devriez prendre plusieurs mesures pour éviter tout accident ou toute blessure lorsque vous vous servez de votre tronçonneuse.

ATTENTION AUX REBONDS

- El hecho de tener unos conocimientos básicos de el rebote puede ayudarle a reducir o eliminar el elemento sorpresa. Las sorpresas súbitas contribuyen a la ocurrencia de accidentes.
- Sujete la sierra firmemente con ambas manos cuando el motor esté en marcha. Coloque su mano derecha en la empuñadura posterior y la mano izquierda en la empuñadura frontal con los pulgares y los dedos rodeando las empuñaduras de la sierra de cadena. El hecho de agarrar firmemente la unidad y de mantener su brazo izquierdo firme le ayudará a reducir el rebote y a mantener el control de la sierra.
- Scier toujours le moteur à plein régime.
- Ne pas scier au delà de la hauteur des épaules; ne pas se pencher trop en avant.
- Suivre les instructions du fabricant pour l'affûtage et l'entretien de la tronçonneuse.
- Asegúrese de que el área en que esté cortando se encuentre libre de obstrucciones. No deje que el borde de la barra de guía entre en contacto con leños, ramas, cercas o cualquier otro tipo de obstrucción que se pueda golpear mientras usted esté operando su sierra.

CONSIGNES DE SÉCURITÉ

- Votre secteur de travail doit être libre d'obstacle. S'assurer que la pointe du guide-chaîne n'entre pas en contact de branches, troncs ou autres surfaces pendant son fonctionnement.
- N'utiliser que des chaînes et guide-chaînes recommandés par le fabricant ou leur équivalent.

AUTRES PRÉCAUTIONS DE SÉCURITÉ

- Ne pas utiliser la tronçonneuse d'une seule main! De graves blessures à l'opérateur, toute personne l'aidant ou spectateurs pourraient en résulter. Une tronçonneuse est conçue pour être utilisée des deux mains.
- Ne vous servez pas d'une tronçonneuse si vous êtes fatigué.
- S'habiller de manière appropriée: Ne pas porter de vêtements trop amples ou de bijoux car ils risquent de vous gêner et de se faire prendre dans une partie mobile de l'appareil. L'utilisation des élastiques et des semelles antidérapantes est recommandée pour tout travail à l'extérieur. Les cheveux longs doivent être protégés par un casque ou autre protection.
- Vêtements et équipement recommandés: Porter des chaussures, gants et lunettes de protection, des habits moulants, des protecteurs d'oreilles et un casque.
- Ne laissez personne se trouver à proximité quand vous faites démarrer ou utilisez votre tronçonneuse.
- Ne pas enlever, endommager ou désactiver tout dispositif de sécurité. Ne jamais utiliser une tronçonneuse endommagée, modifiée, mal entretenue ou mal remontée. Vérifier régulièrement son bon fonctionnement. N'utilisez que le guide-chaîne et la chaîne de longueur appropriée tel qu'indiqué dans le tableau ci-dessus.
- Ne faites jamais de réparations par vous-même en dehors de l'entretien de routine. Pour plus de renseignements, contactez uniquement des ateliers de réparation spécialisés et agréés.
- Si votre tronçonneuse ne marche plus, ne l'abandonnez pas dans la nature ! Appelez votre revendeur habituel, qui saura résoudre la situation.
- Faites attention lorsque vous faites tomber un arbre. Assurez-vous que vous avez prévu une voie pour vous échapper lorsque vous faites tomber l'arbre, et maintenez les curieux à l'écart.

- Soyez sur vos gardes, arrêtez la machine si quelqu'un entre dans la zone de coupe qui se situe généralement à environ 3 ou 4 pieds de l'opérateur.
- Faites attention lorsque vous travaillez en équipe pour éviter toute blessure à un équipier qui pourrait entrer dans la zone de coupe.
- Ne prêtez votre tronçonneuse qu'à des personnes expertes qui sachent la faire fonctionner correctement. Donnez-leur aussi le manuel avec le mode d'emploi à lire avant de commencer à travailler.
- Arrêtez le moteur avant de déposer la tronçonneuse par terre. Ne laissez pas tourner le moteur sans surveillance.
- Rangez l'appareil dans un endroit verrouillé et sec, ou élevé et sec, hors de portée des enfants, pour éviter une utilisation indésirable ou un accident.
- Ne trempez et n'arrosez jamais l'appareil avec de l'eau ou tout autre liquide. Gardez les poignées sèches, propres et exemptes de débris. Nettoyez après chaque usage. Voir les sections *Nettoyage et Entretien*.
- Conservez ces instructions. Consultez-les souvent et servez-vous en pour instruire d'autres usagers. Si vous prêtez l'appareil à quelqu'un, prêtez-lui également ces instructions.
- Ne pas utiliser la machine dans la pluie, au cours d'un orage ou par mauvais temps. Attendez que la fin de l'orage avant d'opérer ce produit.

AVERTISSEMENTS DE SÉCURITÉ ÉLECTRIQUE

- Comme cet outil comporte une isolation double, il est donc possible d'utiliser des rallonges à 2 conducteurs (rallonges sans terre). Cependant, il est tout à fait possible d'utiliser des rallonges à 3 conducteurs (rallonges avec fil de terre), qui comportent des fiches de type NEMA (fiches parallèles, fiche terre en forme de U). Ces rallonges sont disponibles auprès de votre revendeur local. Veillez à n'utiliser que des rallonges à section circulaire, approuvées pour une utilisation extérieure.



AVERTISSEMENT: Pour réduire le risque de choc électrique, utilisez uniquement des rallonges électriques approuvées pour une utilisation extérieure., comme par exemple les rallonges à cordons de type SW-A, SOW-A, STW-A, STOW-A, SJW-A, SJOW-A, SJTW-W ou SJTOW.

CONSIGNES DE SÉCURITÉ

- Pour réduire le risque de choc électrique, cet appareil est pourvu d'une fiche polarisée (une lame est plus large que l'autre). Cet appareil ne peut être inséré dans une prise polarisée que d'une seule manière. S'il n'est pas possible d'insérer entièrement la fiche dans la prise, essayez de brancher la fiche dans l'autre sens. Si malgré tout, il n'est pas possible d'insérer la fiche, remplacez le cordon par un cordon qui comporte les bonnes fiches. Ne modifiez cet appareil en aucun cas.
- **CORDONS DE BRANCHEMENTS** : Assurez vous que votre cordon de branchement est en bon état, avec un cordon pouvant supporter la courant électrique que votre unité va tirer. Un cordon sous dimensionné causerait une chute de tension en ligne et ainsi une perte de puissance ainsi qu'une surchauffe. Le tableau ci-dessous illustre la jauge correcte à utiliser en fonction de la longueur du cordon et de l'ampérage nominal sur la plaque constructeur. En cas de doute, utilisez la jauge supérieure suivante. Plus le numéro de jauge est faible, et plus le cordon est lourd. Pour éviter que le cordon ne se débranche de l'unité, utilisez le crochet à cordon décrit dans Instruction de démarrage / arrêt.
- Le(s) circuit(s) électrique(s) ou la(les) prise(s) d'alimentation de cet outil de jardinage doit(doivent) comporter une protection de type GFCI (qui coupe le circuit en cas de défaut de terre). Il existe des prises qui comportent une protection GFCI, et que l'on peut utiliser dans ce cas de figure.
- Cet outil comporte une isolation double. Pour toutes les réparations, utilisez uniquement des pièces de rechange identiques. Tout cordon électrique endommagé doit être réparé ou remplacé.
- Ne touchez pas la fiche ou l'appareil lui même si vos mains sont mouillées.
- Écartez le cordon de la zone de coupe et placez-le de façon à ce qu'il ne se prenne pas dans les branches pendant la coupe.
- Procédez à une inspection périodique de vos rallonges électriques et de la fiche de raccord de votre appareil. Examinez plus particulièrement l'isolation qui ne doit pas présenter de traces de détérioration, de coupures ou de mise à nu. Inspectez également les raccords qui doivent être en bon état. Si les cordons paraissent endommagés, remplacez les ou réparez les.
- Evitez d'utiliser cet appareil dans des conditions dangereuses. Ne le faites jamais fonctionner en atmosphère humide ou mouillée. L'humidité constitue un danger réel de choc électrique.
- Contrôler les dispositifs électriques. Ne pas utiliser la tronçonneuse si les interrupteurs/boutons ne fonctionnent pas correctement. Ne pas essayer de les réparer. Apporter la tronçonneuse à un Service Après-Vente agréé.
- Utilisez une rallonge de capacité suffisante pour acheminer le courant dont l'outil aura besoin.
- Cette tronçonneuse électrique est classifiée tronçonneuse catégorie 2C par ACNOR. Elle est conçue pour des usages infrequents de travaux tels que dégager, tailler ou couper du bois... par des propriétaires de maison ou résidences secondaires ou par des campeurs. Elle n'est pas conçue pour une utilisation prolongée. Si le travail prévu demande de longues périodes d'utilisation, la vibration risque de causer des problèmes de circulation aux mains de l'opérateur. Il serait approprié d'utiliser une tronçonneuse pourvue d'un dispositif anti-vibration.

Calibre de Fil Minimum					
Modèle de Tronçonneuse	Ampère	Voltage c.a. (Courant Alternatif)	Longueur du Câble d'Alimentation		
			7,5m / 25 pl.	15m / 50 pl.	30m / 100 pl.
MTD1416NT	13.5	110 / 120	Calibre 16	Calibre 16	Calibre 14

CONSERVER CES INSTRUCTIONS

CONSIGNES DE SÉCURITÉ

SYMBOLES DE SÉCURITÉ ET INTERNATIONAUX

Ce manuel de l'utilisateur décrit les symboles et pictogrammes de sécurité et internationaux pouvant apparaître sur ce produit. Consultez le manuel de l'utilisateur pour les informations concernant la sécurité, le montage, le fonctionnement, l'entretien et les réparations.

SYMBOLE

SIGNIFICATION



• SYMBOLE ALERTE DE SÉCURITÉ

Indique un danger, un avertissement ou une mise en garde. Ce symbole peut être combiné à d'autres symboles ou pictogrammes.



• LISEZ LE MANUEL DE L'UTILISATEUR

Lisez le manuel de l'utilisateur et suivez tous les avertissements et consignes de sécurité. Vous pourriez à défaut entraîner des blessures graves pour vous ou d'autres personnes.



• PORTEZ DES PROTECTIONS **AVERTISSEMENT:**

les objets projetés et les bruits forts peuvent endommager la vue et l'ouïe. Portez une visière de norme ANSI Z87.1-1989 et des protège-oreilles pendant l'utilisation. La chute d'objets peut causer des blessures graves à la tête. Protégez-vous la tête pendant l'utilisation de l'appareil.



• N'UTILISEZ PAS L'APPAREIL SOUS LA PLUIE

AVERTISSEMENT:

évités les lieux dangereux. N'utilisez jamais l'appareil sous la pluie ou dans des conditions humides ou mouillées. L'humidité peut provoquer l'électrocution.

SYMBOLE

SIGNIFICATION



• AVERTISSEMENT SUR LE GUIDE-CHAÎNE

Évitez tout contact de l'extrémité du guide-chaîne avec tout objet. Le contact de l'extrémité peut entraîner un mouvement brusque du guide-chaîne vers le haut et en arrière, ce qui entraîner de sérieuses blessures.



• TENEZ À DEUX MAINS

Tenez toujours la tronçonneuse à deux mains lors de son utilisation. Ne la tenez jamais à une main.



Eviter tout contact avec la pointe du guide-chaîne.

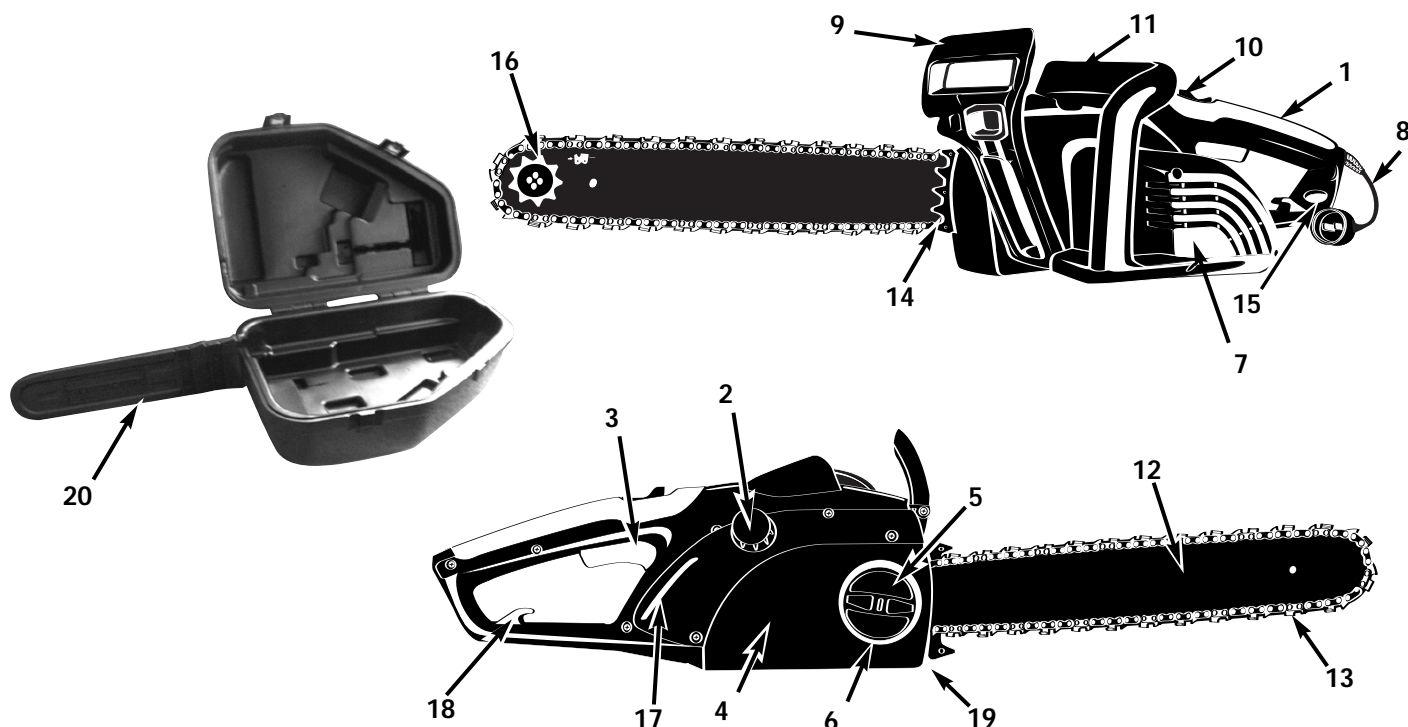


• DOUBLE ISOLEMENT

Les appareils à double isolement comportent deux systèmes d'isolement. Comme il se doit, aucun moyen de mise à la terre n'est fourni sur ce type d'appareil.

CONSIGNES DE SÉCURITÉ

FAMILIARISEZ-VOUS AVEC VOTRE APPAREIL



COMPOSANTS DE LA TRONÇONNEUSE

1. POIGNEE ARRIERE
2. BOUCHON DU RESERVOIR D'HUILE
3. BOUTON DE MARCHE / BOUTON D'ARRET
4. COUVERCLE DU PIGNON
5. VIS DE FIXATION POUR LE CARTER DU PIGNON À CHAÎNE
6. ANNEAU DE TENSION DE LA CHAÎNE
7. MOTEUR ELECTRIQUE
8. CABLE D'ALIMENTATION
9. LEVIER DE CHAIN BRAKE® / ARCEAU PROTECTEUR
10. BOUTON D'ARRET / BLOCAGE
11. POIGNEE AVANT
12. GUIDE-CHAÎNE
13. CHAÎNE DE TRONÇONNEUSE
14. GRIFFES
15. PROTEGE-MAIN ARRIERE
16. TETE DU GUIDE-CHAÎNE
17. VOYANT DU RESERVOIR D'HUILE
18. FIXATION DU CORDON
19. CAPTEUR DE CHAÎNE
20. FOURRE-TOUT ROBUSTE (Disponible sur certains modèles)

DISPOSITIFS DE SECURITE

Afin de vous aider à localiser les dispositifs de sécurité, les numéros précédant les descriptions correspondent à ceux de la page précédente.

- 3 BOUTON MARCHE / ARRET arrête le moteur de la tronçonneuse quand relâché.
- 7 Le MOTEUR ELECTRIQUE possède une double isolation pour plus de sécurité.
- 9 Le LEVIER DE CHAIN BRAKE® / ARCEAU PROTECTEUR fait fonctionner le frein de chaîne et protège la main gauche de l'utilisateur si elle glisse de la poignée avant, pendant que la tronçonneuse est en marche.
- 10 Le BOUTON D'ARRET / BLOCAGE empêche une accélération involontaire du moteur de la tronçonneuse. On ne peut appuyer sur la gâchette si le bouton d'arrêt et de blocage est enclenché.
- 13 Grâce aux limiteurs de profondeurs et aux maillons spécialement conçus, une CHAÎNE A REBONDS REDUITS diminue l'intensité et la quantité de rebonds.
- 19 Le CAPTEUR DE CHAÎNE réduit le danger de blessures en cas de rupture ou de sortie de la chaîne pendant tout fonctionnement. Le capteur du chaîne est conçu de manière à intercepter la chaîne.

CONSIGNES DE SÉCURITÉ

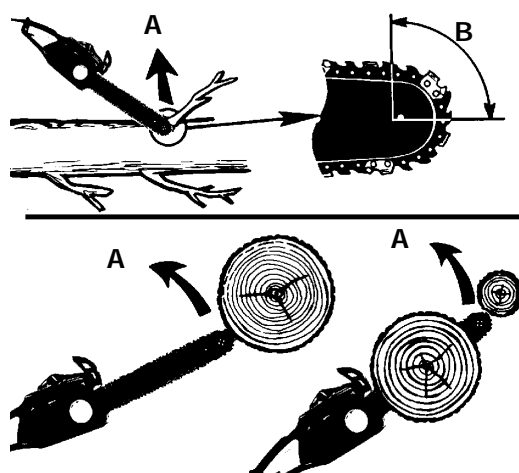
REBONDS: CONSEILS SUPPLEMENTAIRES



AVERTISSEMENT: Les rebonds peuvent vous faire perdre contrôle de votre outil et entraîner des blessures graves et même mortelles soit à l'utilisateur soit à une personne se trouvant à proximité. Soyez toujours vigilant. Les dangers les plus importants pendant l'utilisation d'une tronçonneuse proviennent des rebonds causés par une rotation ou un coincage, la cause principale de la plupart des accidents

Attention aux:

Rebonds Rotatifs

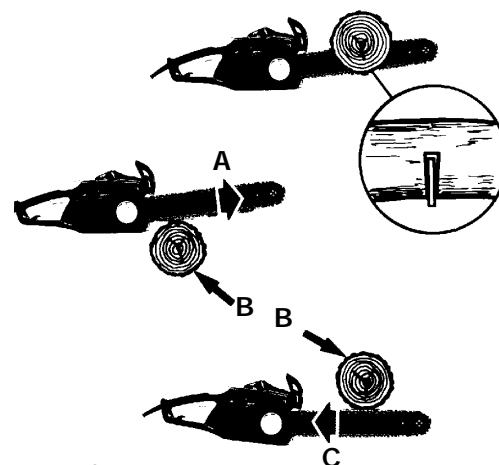


A = Trajectoire rebonds
B = Zone de réaction rebonds

Fig. 1

Attention aux:

Les Reactions de Poussee (Rebond Coincage) et de Propulsion



A = Propulsion vers l'avant
B = Objets solides
C = Poussee vers l'utilisateur

Fig. 2

Il y a des risques de REBONDS si la POINTE du guide-chaîne entre en contact avec un objet, ou si le bois se resserre et coincé la chaîne de la tronçonneuse.

Un contact avec la pointe du guide-chaîne peut parfois causer une réaction inverse instantanée, causant un soubresaut du guide-chaîne le poussant vers le haut et l'arrière où se trouve l'utilisateur.

COINCER la chaîne vers le BAS du guide-chaîne risque de PROPULSER la tronçonneuse vers l'avant en direction opposée de l'utilisateur. COINCER la chaîne le long du HAUT du guide-chaîne risque de POUSSER rapidement ce dernier vers l'utilisateur.

Chacune de ces réactions risque de vous faire perdre contrôle de la tronçonneuse et peut entraîner de sérieuses blessures.

INSTRUCTIONS DE DÉMARRAGE ET ARRÊT



AVERTISSEMENT: N'opérez jamais la tronçonneuse sans que le guide-chaîne et la chaîne aient été correctement installés.

INSTRUCTIONS DE DÉMARRAGE

1. Remplir le réservoir à huile avec une huile à chaîne et guide-chaîne appropriée (Fig. 3). Utilisez un entonnoir, essuyez tout débordement et assurez-vous qu'aucune saleté n'entre dans le réservoir.

REMARQUE : La chaîne de la tronçonneuse doit être graissée en cours de fonctionnement afin de minimiser toute friction avec le guide-chaîne. Le réservoir à huile peut contenir 4.5 ozs d'huile, une quantité suffisante pour lubrifier la chaîne pendant un fonctionnement de 12 à 15 minutes.



ATTENTION: Contrôler fréquemment le niveau d'huile du réservoir au cours du travail afin d'éviter un manque de lubrification de la chaîne et du guide-chaîne.

REMARQUE : Votre tronçonneuse est équipée d'un système de graissage automatique, la SEULE source de lubrification pour la chaîne et le guide-chaîne.

2. S'assurer que Chain Brake® est déclenché avant de mettre l'outil en marche (Fig. 4). Désengrenez en tirant vers l'arrière vers le moteur.
3. Accrochez la rallonge à la fixation prévue à cet effet (A) (Fig. 5), encastrée dans la poignée arrière pour empêcher le cordon de sortir de la poignée. Doublez la rallonge, à environ 30 cm (un pied) du bout, et insérez-le dans l'extrémité de la poignée. Accrochez la boucle formée en doublant le cordon sur la languette. Tirez légèrement sur le cordon pour vous assurer qu'il est bien tenu en place dans la poignée de la tronçonneuse. Raccordez l'extrémité mâle de la rallonge dans le cordon d'alimentation de l'outil.



AVERTISSEMENT: S'assurer que le prolongateur est d'une dimension et d'un modèle appropriés pour votre tronçonneuse.

4. Tenir fermement la tronçonneuse des deux mains, la main gauche sur la poignée avant et la main droite sur la poignée avant et la main droite sur la poignée arrière (NE PAS TENIR [LE FREIN] CHAIN BRAKE®.) Les pouces et les doigts doivent être bien refermés sur les deux poignées (Fig. 6).



AVERTISSEMENT: S'assurer que le prolongateur n'entre pas en contact avec le guide-chaîne et la chaîne de la tronçonneuse.

5. Avec le pouce de la main droite, enfoncer le bouton D'ARRÊT / BLOCAGE (C) se trouvant sur le côté de la poignée arrière, et en même temps appuyer sur le commutateur. Pour arrêter la tronçonneuse, lâcher le commutateur (Fig. 7).

REMARQUE : Il n'est pas nécessaire de maintenir une pression sur le bouton D'ARRÊT / BLOCAGE est un dispositif de sécurité conçu pour empêcher toute mise en marche involontaire.

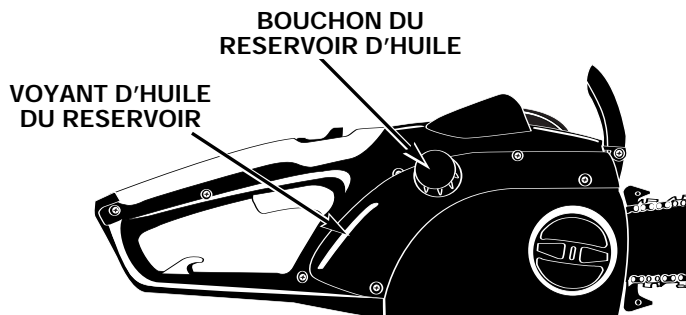


Fig. 3



Fig. 4



Fig. 5



Fig. 6

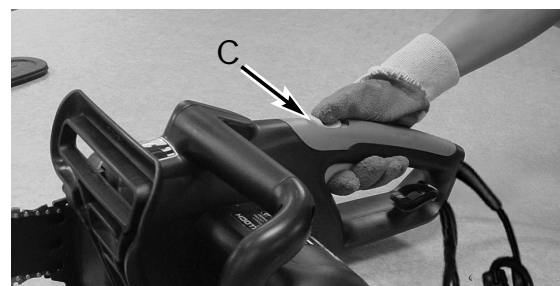


Fig. 7

INSTRUCTIONS D'ARRÊT

Le moteur de la tronçonneuses s'arrêtera automatiquement une fois le commutateur relâché. Il faudra de nouveau enfoncer le bouton D'ARRÊT / BLOCAGE et appuyer sur le commutateur pour remettre le moteur en marche.

MODE D'EMPLOI

ABATTAGE

Abattage est le terme utilisé pour indiquer que l'on coupe (abat) un arbre. De petits arbres d'environ 15 à 18cm (6-7 pouces) de diamètre sont généralement abattus en une coupe. Les arbres plus grands exigent des entailles d'abattage. Ces entailles déterminent la direction de la chute.



AVERTISSEMENT: Il est nécessaire de prévoir une retraite (A) sûre, libre de tout obstacle avant d'entreprendre la coupe de l'arbre. Le chemin de dégagement devrait être situé à l'arrière et en diagonale de la direction de chute prévue; voir Fig. 8.



MISE EN GARDE: Pour l'abattage d'un arbre sur une pente, l'utilisateur de la tronçonneuse devrait se trouver du côté ascendant du terrain, car l'arbre roulera probablement vers le bas après sa chute.

REMARQUE : L'entaille d'abattage contrôle la direction de la chute (B). Avant toute entaille, prendre en considération l'emplacement des grosses branches et l'inclinaison naturelle de l'arbre pour déterminer la direction de la chute de l'arbre.

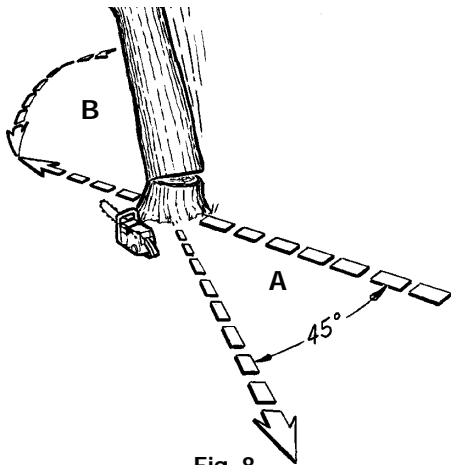


Fig. 8



AVERTISSEMENT: Eviter la coupe par mauvais temps, fort vent, vent changeant ou si cela peut endommager une propriété. Consulter un professionnel du métier. Ne pas couper d'arbre s'il y a une possibilité de heurter des fils électriques ou autres. Prévenir les services publics appropriés avant toute coupe.

En principe, l'abattage se divise en 2 opérations: l'entaille (C) et le trait d'abattage (D).

Toujours commencer par le trait diagonal (du haut) de l'entaille d'abattage (C), du côté choisi pour la chute de l'arbre (E). Eviter de scier trop profondément l'entaille horizontale (du bas).

L'entaille d'abattage (C) doit être suffisamment ouverte pour créer une charnière (F) assez forte de largeur suffisante et pour guider la chute de l'arbre aussi longtemps que possible.



AVERTISSEMENT: Ne jamais marcher devant un arbre entaillé.

Scier le trait d'abattage (D) de l'autre côté du tronc, 3 à 5cm (1,5 à 2,0 po) au-dessus de l'entaille d'abattage (C) (Fig. 9).

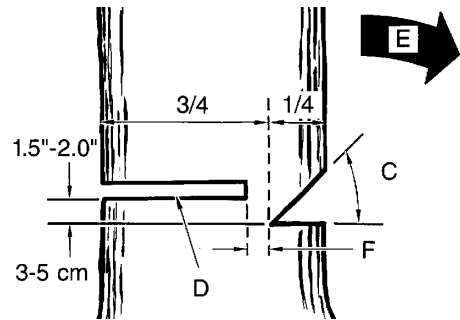


Fig. 9

Ne jamais scier le tronc de part en part. Toujours laisser une charnière. La charnière guide l'arbre. Si le tronçest scié de part en part, l'arbre s'abattra de manière incontrôlée.



AVERTISSEMENT: Avant la dernière entaille, s'assurer qu'il n'y ait aucun animal, obstacle ou individu dans les zones possibles de chute.

Enfoncer des cales ou un levier d'abattage dans le trait sans attendre que l'arbre devienne instable et commence à bouger. Ceci évite le pincement de la pointe du guide-chaîne dans le trait d'abattage au cas où la direction de la chute aurait été mal calculée. S'assurer que personne ne se trouve dans la zone de chute avant de donner l'impulsion finale.

TRAIT D'ABATTAGE:

1. Utiliser des cales de bois ou plastique (G) pour empêcher la chaîne ou le guide-chaîne (H) de se coincer dans le trait d'abattage. Les cales contrôlent aussi la chute (Fig. 10).
2. Si le diamètre du tronc à couper est supérieur à la longueur du guide-chaîne, faire 2 entailles comme indiqué sur l'illustration (Fig. 11).



AVERTISSEMENT: Lorsque le trait d'abattage se rapproche de la charnière, l'arbre devrait commencer à tomber. A ce moment, enlever la tronçonneuse de la coupe, arrêter le moteur, déposer la tronçonneuse, et quitter les lieux, utilisant votre voie de retraite (Fig. 8).

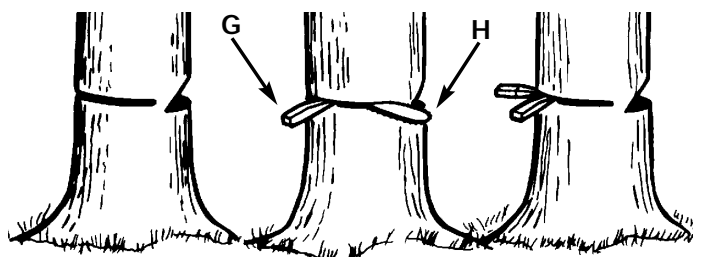


Fig. 10

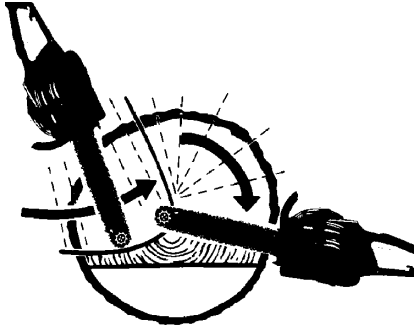


Fig. 11

ÉBRANCHAGE

Nous entendons par ébranchage le fait de débarrasser un arbre abattu de ses branches. Ne pas scier les branches de support (A) avant le tronçonnage de l'arbre (Fig.12). Les branches sous tension devraient être sciées de bas en haut pour éviter de coincer la chaîne.

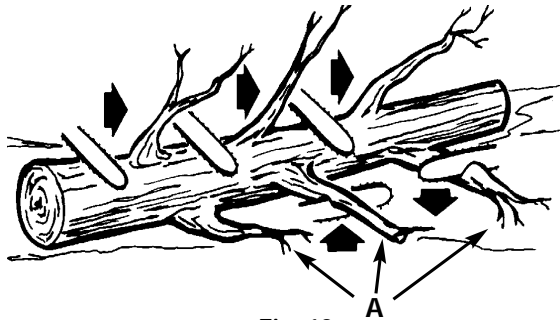


Fig. 12



AVERTISSEMENT: Ne jamais scier de branches en se tenant sur le tronc.

TRONÇONNAGE

Nous entendons par tronçonnage la découpe d'un tronc abattu. S'assurer d'avoir une bonne assise et de se trouver derrière le tronc quand le terrain est incliné. L'extrémité à scier devrait, si possible, ne pas reposer sur le sol, mais être supportée. Si le tronc est supporté aux deux extrémités et que la coupe doit se faire au milieu, faire une coupe vers le bas et jusqu'au milieu, puis faire la coupe par en-dessous. ceci empêche le bois de coincer la chaîne ou guide-chaîne. Faire attention à ne pas scier jusque dans le sol car la chaîne s'éroussera rapidement.

Pour le tronçonnage sur pente, se placer toujours vers le haut.

1. Si le tronc est supporté sur toute sa longueur: Il peut être tronçonné à partir du dessus. Eviter de plonger le guide-chaîne dans la terre (Fig. 13).

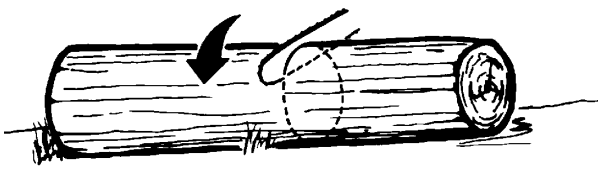


Fig. 13

2. Tronçonnage d'un tronc supporté à une extrémité: Effectuer d'abord une coupe par le dessous (sous-coupe) sur du diamètre, de manière à éviter l'éclatement du bois. Ensuite, effectuer une coupe par dessus (sur-coupe) pour joindre la première coupe et éviter tout coinçage (Fig. 14).
3. Tronçonnage d'un tronc supporté aux deux extrémités: Effectuer d'abord une coupe par dessus sur du diamètre de façon à éviter l'éclatement du bois. Ensuite, effectuer une coupe par dessous (sous-coupe) pour joindre la première coupe et éviter tout coinçage (Fig. 15).

REMARQUE : Un chevalet est le meilleur support pour tronçonnage. Si cela n'est pas possible, soutenir le tronc par des bûches ou par les chicots des branches. S'assurer que le tronc à couper est bien supporté.

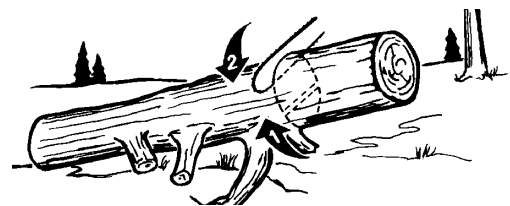


Fig. 14

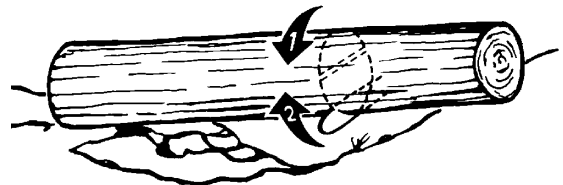


Fig. 15

TRONÇONNAGE SUR CHEVALET

Pour votre sécurité, et pour la facilité de coupe, une position correcte est essentielle lors de tout tronçonnage vertical (Fig. 16).

- A. Tenir la tronçonneuse fermement, des deux mains et placer la tronçonneuse sur votre droite pendant la coupe.
- B. Garder le bras gauche aussi droit que possible.
- C. Votre poids doit reposer sur les deux pieds.



MISE EN GARDE: S'assurer que la chaîne et guide-chaîne soient lubrifiés pendant la durée de la coupe.

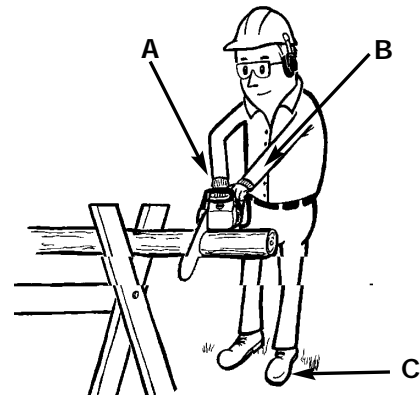


Fig. 16

ENTRETIEN ET RÉPARATIONS

INSTALLATION DU GUIDE-CHAÎNE



MISE EN GARDE: Démontez la scie à chaînes du source de puissance avant de vérifier ou ajuster la tension de scie de chaîne.

Ces instructions concernent le remplacement d'un guide chaîne. L'unité est livrée complètement assemblée.

Note : Portez toujours des gants épais en manipulant la tronçonneuse.

1. Posez l'unité sur une surface plane.
2. Desserrez légèrement le bouton (B) dans le sens inverse des aiguilles d'une montre et tournez l'anneau de tension de la chaîne (C) dans le même sens pour relâcher la tension de la chaîne (Fig. 17).
3. Pour enlever le capot du pignon (A), tournez le bouton (B) dans le sens inverse des aiguilles d'une montre. (Fig. 17)
4. Enlevez la chaîne du guide chaîne et du pignon. Faites coulisser le guide chaîne, avec la plaque de tension (D) attachée, hors de l'unité. (Fig. 18)
5. Enlevez l'écrou (C) de la plaque de tension (D) pour la détacher de l'ancien guide et l'attacher au nouveau. (Fig. 19)

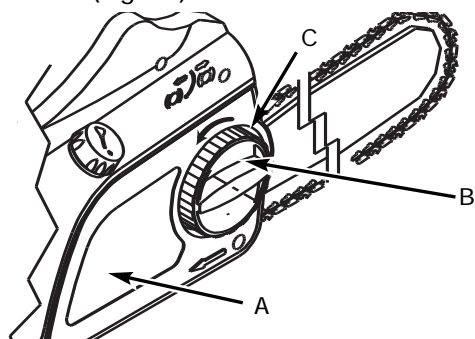


Fig. 17

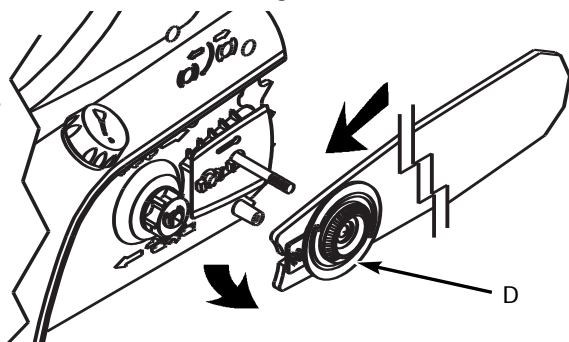


Fig. 18

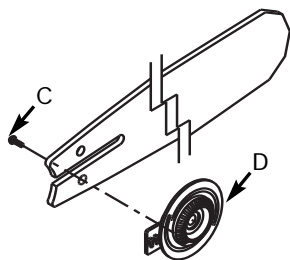


Fig. 19

INSTALLATION DE LA CHAÎNE



AVERTISSEMENT: Porter toujours des gants de protection robustes pendant toute manipulation de la chaîne ou pendant tout réglage.

1. Étendez la chaîne avec les tranchants (E) de la chaîne pointant dans la DIRECTION DE ROTATION (Fig. 20).
2. Pour engager les maillons de la chaîne dans la rainure du guide chaîne, faites tourner la plaque de tension (D) dans le sens inverse des aiguilles d'une montre jusqu'au bout. Installez la chaîne et son guide dans l'unité de puissance, faites tourner la plaque de tension (D) dans le sens des aiguilles d'une montre et remettez le capot latéral (A) (Fig. 21).
3. Tournez le bouton dans le sens des aiguilles d'une montre, réglez l'anneau de tension de la chaîne (F) et serrez alors le bouton. Voir Tension de la tronçonneuse Réglage P14.
4. Après avoir fait tourner la tronçonneuse pendant une heure – retendez la chaîne. Si nécessaire, suivez les instructions de réglage de la tension dans le chapitre suivant.

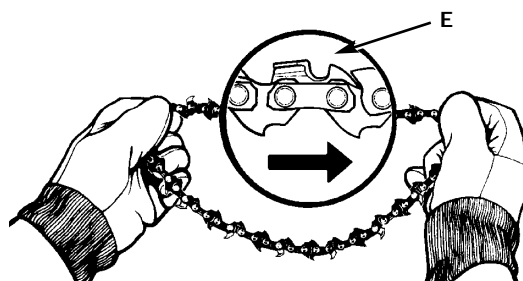


Fig. 20

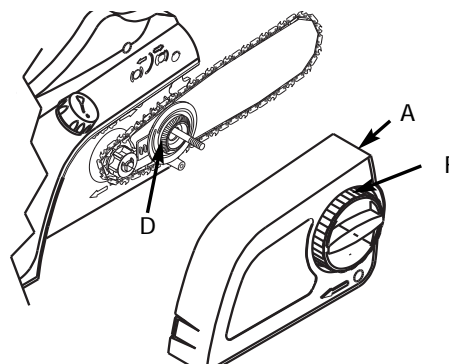


Fig. 21

ENTRETIEN ET RÉPARATIONS

REGLAGE DE LA TENSION DE LA CHAÎNE



AVERTISSEMENT: Porter toujours des gants de protection robustes pendant toute manipulation de la chaîne ou pendant tout réglage.

La tension correcte d'une chaîne est très importante et doit être vérifiée avant et durant tout tronçonnage.

Faire les réglages nécessaires est synonyme de bonne capacité de coupe et de longévité de votre outil.

REMARQUE : La tension d'une chaîne neuve doit être contrôlée fréquemment pendant son rodage, après aussi peu que cinq coupes. Les intervalles entre réglages s'espaceront rapidement (Fig. 22).



MISE EN GARDE: Si la chaîne est TROP TENDUE ou PAS ASSEZ, le pignon, guide-chaîne, chaîne et roulements de vilebrequin s'useront plus rapidement. Etudier la Fig. 22 pour tout renseignement concernant la tension appropriée pour moteur chaud (A) ou froid (B), et comme guide indiquant quand la chaîne a besoin d'être ajustée (C).



Fig. 23

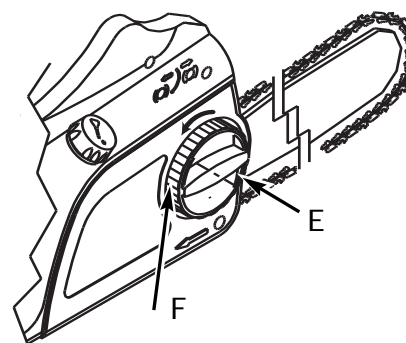


Fig. 24

REGLAGE DE LA TENSION DE LA CHAÎNE :

REMARQUE : S'assurer que le frein de chaîne Chain Brake® est débloqué.

Débloquer Chain Brake® (D) en le poussant vers l'arrière (Fig. 23).

1. Il est relativement facile de tendre la chaîne. Tournez le bouton à boulon du guide-chaîne (E) dans le sens contraire des aiguilles d'une montre. Tournez ensuite l'anneau (F) dans le sens contraire des aiguilles d'une montre pour détendre la chaîne ou dans le sens des aiguilles d'une montre pour tendre la chaîne (Fig. 24).

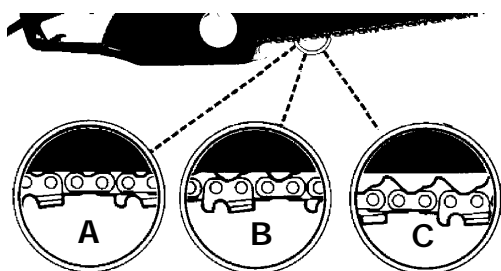


Fig. 22

2. Après avoir ajusté la chaîne, et toujours en portant des gants de protection, tirer la chaîne vers l'avant et l'arrière le long du guide-chaîne pour s'assurer qu'elle bouge librement et qu'elle est bien placée sur le pignon.

REMARQUE : S'il est difficile de faire tourner la chaîne ou si elle se coince sur le guide-chaîne, elle est trop tendue et elle doit être ajustée tel que décrit dans la première étape.

3. Lorsque vous tendez la chaîne, tenez l'extrémité du guide-chaîne vers le haut et serrez ensuite le bouton à boulon du guide-chaîne (E).

ENTRETIEN ET RÉPARATIONS

LUBRIFICATION DU GUIDE-CHAÎNE ET DE LA CHAÎNE

Une lubrification adéquate de la chaîne est essentielle pour minimiser la friction avec le guide-chaîne pendant la coupe.

Votre tronçonneuse est équipée d'un système de graissage automatique. Ce système fournit une quantité adéquate d'huile au guide-chaîne et à la chaîne. Le débit ne peut être ajusté.

Le niveau d'huile du réservoir peut être contrôlé grâce au voyant (D) se trouvant sur le côté droit de la tronçonneuse. Le réservoir est plein quand l'huile se trouve jusqu'en haut du voyant (Fig. 25).



Fig. 25



MISE EN GARDE : ne jamais laisser le guide-chaîne ou la chaîne non lubrifiés. Utiliser la tronçonneuse A SEC ou AVEC TROP PEU DE LUBRIFIANT diminue son efficacité de coupe et sa longévité, émousse rapidement la chaîne, et use excessivement le guide-chaîne car surchauffé. Une décoloration du guide-chaîne et du fumée indiquent un manque d'huile.

REMARQUE : La chaîne se détend pendant son utilisation, particulièrement si elle est neuve; il est donc nécessaire de l'ajuster périodiquement ; une nouvelle chaîne nécessite des réglages plus fréquents pendant sa période de rodage. Cela est normal. Suivre les instructions de la Section *Réglage de la Tension de la Chaîne*.



AVERTISSEMENT: Une chaîne trop lâche peut glisser hors du guide-chaîne pendant la coupe et user le guide-chaîne et la chaîne. Une chaîne trop ajustée peut endommager la tronçonneuse. Que la chaîne soit trop lâche ou trop ajustée cause un risque de blessures graves.

CHAIN BRAKE® / ARCEAU PROTECTEUR

Cette tronçonneuse est équipée d'un frein de chaîne/d'une protection pour les mains. L'Arceau Protecteur protège aussi votre main gauche au cas où elle glisserait de la poignée avant.

Chain Brake® est un dispositif de sécurité qui est actionnés s'il y a pression sur le protège-main ou quand, pendant un rebond, la main de l'opérateur huerte le levier. Quand Chain Brake® est actionné, la chaîne s'arrête de manière abrupte et l'amenée du courant au moteur est interrompue immédiatement.

Le but de Chain Brake® est de réduire les possibilités de blessures causées par les rebonds, Chain Brake® ne peut en aucun cas fournir une protection adéquate si la tronçonneuse est utilisée de manière dangereuse.

Chain Brake® est débloqué (la chaîne bouge) quand le levier de frein est repoussé vers l'arrière et bloqué. C'est la position normale pendant le travail (Fig. 26).



Fig. 26

Chain Brake® est bloqué (la chaîne ne peut pas bouger) quand le levier du frein est repoussé vers l'avant (Fig. 27).

REMARQUE : Le moteur ne démarrera pas si Chain Brake® est bloqué.



Fig. 27



MISE EN GARDE: Chain Brake® ne devrait pas être utilisé pour mettre en marche ou arrêter la tronçonneuse pendant son fonctionnement normal.

ENTRETIEN ET RÉPARATIONS

TEST DE CHAIN BRAKE®

Avant d'effectuer tout travail de coupe avec votre tronçonneuse, Chain Brake® devrait être testé de la manière suivante :

- S'assurer que Chain Brake® est débloqué (Fig. 26).
- Poser la tronçonneuse sur une surface plane, ferme et sèche, exempte de débris. Ne pas laisser la tronçonneuse entrer en contact avec un objet quelconque.
- Brancher l'appareil dans une prise électrique.
- Saisir la poignée avant (pas Chain Brake® / ou le levier du protège-main) avec le main gauche; pouce et doigts resserrés autour de la poignée.
- Saisir la poignée arrière ; pouce doigts resserrés autour de la poignée.
- Enfoncer le bouton d'ARRÊT/BLOCAGE avec le pouce droit. Appuyer sur le commutateur avec l'index (Fig. 7).
- Pendant que le moteur tourne, actionner Chain Brake® en faisant glisser votre main vers l'avant, contre le levier.
- la chaîne et le moteur devraient s'arrêter instantanément.



AVERTISSEMENT: Si la chaîne et le moteur ne s'arrêtent pas quand Chain Brake® est bloqué, apporter la tronçonneuse au Service Après-Vente agréé le plus proche. Ne pas utiliser la tronçonneuse si Chain Brake® ne fonctionne pas correctement.

PROLONGATEURS ELECTRIQUES

Quand vous utilisez une tronçonneuse électrique, branchez-la au prolongateur uniquement quand vous êtes prêt à couper du bois. Relier le prolongateur à une prise ayant une tension de 110/120 volts. Suivre les instructions de la Section *Avertissements de Sécurité Électrique*.



ATTENTION: Un cordon trop chaud au toucher est surchargé.



AVERTISSEMENT: Ne pas utiliser la tronçonneuse dans un lieu mouillé ou humide. Ne pas exposer la tronçonneuse aux intempéries (pluie, neige ou grésil). L'humidité cause des courts-circuits. Remplacer ou réparer tout prolongateur endommagé ou étripé avant d'utiliser la tronçonneuse.

DOUBLE ISOLATION

LORS DE L'ENTRETIEN, N'UTILISEZ QUE DES PIÈCES DE RECHANGE IDENTIQUES.

Information

Ne pas utiliser si le prolongateur ou la prise est endommagé. L'appareil est pourvu d'une double isolation pour protéger l'opérateur des risques de chocs électriques. La double isolation consiste en deux «couches» séparées d'isolant électrique.

Les appareils construits avec ce type d'isolation ne sont pas conçus pour être mis à la terre. Par conséquent, le prolongateur utilisé avec votre appareil peut être branché dans n'importe quelle prise 120 volts conventionnelle.

Des mesures de sécurité élémentaires doivent être prises lorsqu'un appareil électrique est utilisé. La double isolation constitue seulement une protection supplémentaire en cas de défaillance de l'isolation interne.



AVERTISSEMENT: Cet appareil à double isolation ne comporte aucune pièce réparable par l'opérateur. Pour tout renseignement, contacter le Service Après-Vente au numéro 1-800-668-1238.

Cet appareil à double isolation comprend deux systèmes d'isolation au lieu d'une prise de terre. Un appareil à double isolation n'est pourvu d'aucune possibilité de mise à terre ; il ne faut pas y ajouter cette possibilité. Il n'y a aucune pièce interne réparable. Une étiquette indiquant «DOUBLE ISOLATION» ou «ISOLATION DOUBLE» se trouve sur un appareil à double isolation. Le symbole (un carré à l'intérieur d'un carré) peut aussi se trouver sur l'appareil..

Entretien

- Placer le bouton en position d'arrêt «OFF» et débrancher le câble d'alimentation avant tout entretien, nettoyage ou réparation.
- Garder le secteur d'arrivée d'air propre et les fentes d'air de refroidissement exemptes de tout débris afin de ne pas surchauffer le moteur.
- Nettoyer à l'aide d'une éponge humide et de savon doux. Ne pas asperger d'eau ou tremper dans tout autre liquide.
- Contrôler la tension de la chaîne avant chaque utilisation et fréquemment pendant la coupe. Affûter si nécessaire.
- Nettoyer le guide-chaîne et le barre du guide chaîne pour assure une libre coulée d'huile.
- Le moteur n'a pas besoin d'être lubrifié. Il est équipé de paliers lubrifiés de manière permanente.
- Si la tronçonneuse ne fonctionne pas, mettre le bouton en position d'arrêt «OFF» et débrancher le prolongateur de la prise d'alimentation en premier, puis de la tronçonneuse. Vérifier votre source d'alimentation ; un fusible peut avoir sauté ou un disjoncteur peut avoir été déclenché. Si la tronçonneuse ne fonctionne toujours pas, contacter le Service Après-Vente dont le numéro 1-800-668-1238. Ne pas essayer de faire la réparation soi-même. Aucune pièce interne n'est réparable par l'opérateur.

ENTRETIEN DU GUIDE-CHAÎNE

Une fréquente lubrification de la roulette du guide-chaîne (une barre à rainure qui soutient et porte la chaîne de la tronçonneuse) est nécessaire. L'entretien du guide-chaîne, comme nous l'expliquerons dans cette section, est essentiel au bon fonctionnement de votre tronçonneuse.



AVERTISSEMENT: S'assurer que le câble d'alimentation est débranché avant tout entretien de la tronçonneuse.

Lubrification de la Roulette



MISE EN GARDE: Si la roulette du guide-chaîne n'est pas lubrifiée (voir ci-dessous) la tronçonneuse aura des secousses et une performance pauvre, tout en annulant la garantie du fabricant. La roulette du guide-chaîne de cette tronçonneuse a été graissée à l'usine. La lubrification de la pointe du pignon est recommandée après chaque utilisation de la tronçonneuse. Toujours nettoyer complètement la roulette du guide-chaîne avant la lubrification.

Le Lube Gun (burette- optionnel) est recommandé pour graisser la roulette du guide-chaîne. Le Lube Gun est équipé d'un bec-aiguille nécessaire pour l'application d'huile sur la roulette.

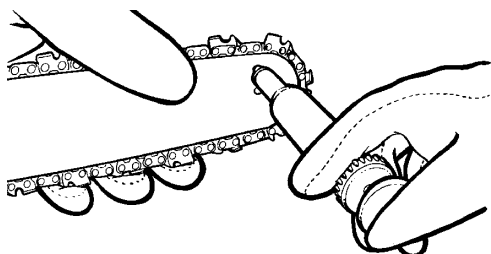


Fig. 28

1. Débranchez la tronçonneuse de la source d'alimentation.

REMARQUE : Il n'est pas nécessaire de retirer la chaîne pour lubrifier la roulette. La lubrification peut se faire sur le site du travail.

2. Nettoyer la roulette du guide-chaîne.
3. A l'aide du Lube Gun (optionnel), insérer le bec-aiguille dans le trou de lubrification et injecter le lubrifiant jusqu'à ce qu'il ressorte sur les côtés de la roulette (Fig. 28).



AVERTISSEMENT: Porter toujours des gants de protection robustes pendant toute manipulation de la chaîne ou pendant tout réglage.

4. Faire avancer la chaîne à la main. Répéter le procédé de lubrification jusqu'à ce que toute la roulette ait été graissée.

Entretien

La majorité des problèmes du guide-chaîne peuvent être évités par un simple bon entretien. Un affûtage incorrect, des tranchants irréguliers et un mauvais réglage de la hauteur des limiteurs de profondeur sont à l'origine de la plupart des problèmes de guide-chaîne, résultant principalement en une usure irrégulière du guide-chaîne. Au fur et à mesure que le guide-chaîne s'use irrégulièrement, les rails s'élargissent, ce qui peut causer le cliquetis de la chaîne et des difficultés pour faire des coupes droites.

Une lubrification insuffisante du guide-chaîne et l'utilisation de la tronçonneuse avec une chaîne TROP AJUSTEE contribuent à l'usure rapide du guide-chaîne. Pour minimiser l'usure du guide-chaîne, nous recommandons l'entretien suivant.

USURE DU GUIDE-CHAÎNE - Tourner le guide-chaîne fréquemment et à intervalles réguliers (après 5 heures d'utilisation, par exemple), afin d'assurer une usure uniforme sur le haut et le bas du guide-chaîne.

RAINURES DU GUIDE-CHAÎNE - Les rainures du guide-chaîne (ou les «gorges» qui soutiennent et portent la chaîne) doivent être nettoyées si la chaîne a été fortement utilisée ou si elle paraît sale. Les rainures doivent être nettoyées à chaque retrait de chaîne.

PASSAGES D'HUILE - Les passages d'huile sur le guide-chaîne doivent être nettoyés pour assurer une lubrification adéquate du guide-chaîne et de la chaîne pendant leur fonctionnement.

REMARQUE : Les passages d'huile peuvent facilement être contrôlés. Si les passages sont propres, la chaîne fera automatiquement gicler un peu d'huile quelques secondes après la mise en marche de la tronçonneuse. Votre tronçonneuse est équipée d'un système de graissage automatique.

Para Limpiar los Rieles de la Barra:

1. Enlevez le capot du pignon, le guide chaîne et la chaîne. Référez-vous à la section Installer la chaîne / le guide chaîne.
2. Utilizando un desarmador, navaja, cepillo de alambre o cualquier otro instrumento similar, limpie residuos de los rieles de la barra guía. Esto mantendrá los pasajes abiertos para proveer una lubricación adecuada a la barra y cadena (Fig. 29).
3. Reinstale la barra, cadena, cubierta del piñón y las tuercas retenedoras de la barra. Sivre les instructions de la Section *Installation du guide-chaîne et la chaîne*.

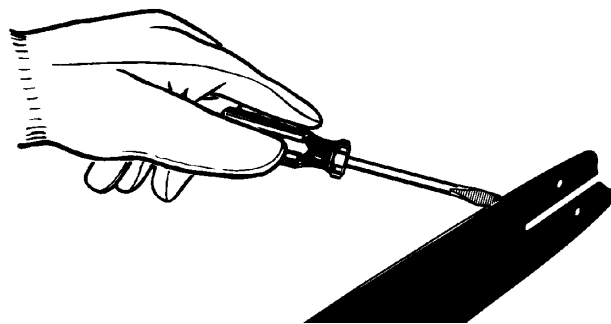


Fig. 29

ENTRETIEN ET RÉPARATIONS

ENTRETIEN DE LA CHAÎNE



AVERTISSEMENT: A moins d'avoir reçu une formation spéciale et d'être expérimenté en ce qui concerne les rebonds (Voir les Mesures de Sécurité), utiliser toujours une chaîne de sécurité qui réduit de manière significative les dangers de rebonds. Une chaîne de sécurité ne peut en aucune manière éliminer totalement les risques de rebonds. Une chaîne à «rebonds réduits» ou chaîne de sécurité ne doit jamais être considérée comme protection totale contre des blessures potentielles.

Une chaîne de sécurité doit toujours être utilisée en conjonction avec d'autres dispositifs de sécurité tels Chain Brake® / et l'Arceau Protecteur fournis avec la tronçonneuse.

Utiliser toujours une chaîne de rechange conçue pour réduire les rebonds ou une chaîne qui rebondit aux normes de ANSI (L'Institut des Standards Nationaux Américains).

Une chaîne standard de tronçonneuse (c'est à dire une chaîne ne possédant pas de maillons de protection réduisant les rebonds) ne doit être utilisée que par des professionnels du métier.

Qu'est-ce qu'une chaîne «à rebonds réduits»?

Une chaîne à rebonds réduits est une chaîne dont la performance répond aux normes requises par ANSI B175.1. Maintenir CHAIN BRAKE® et la chaîne de la tronçonneuse en bon état de fonctionnement et les entretenir correctement comme indiqué dans ce manuel, vous permettra de garder le système de sécurité aussi longtemps que votre outil.

Tension de la Chaîne

Vérifier fréquemment la tension de la chaîne et régler aussi souvent que nécessaire afin de garder la chaîne bien ajustée autour du guide-chaîne, mais suffisamment lâche pour pouvoir être avancée à la main.

Rodage de Votre Nouvelle Tronçonneuse

Une nouvelle chaîne et un nouveau guide-chaîne doivent être réajustés après aussi peu que cinq coupes. Ceci est normal pendant cette période de rodage; les intervalles entre les réglages s'espaceront rapidement.

Par contre, après un certain temps, les parties mobiles de la chaîne de la tronçonneuse s'useront, résultant en ce qu'on appelle DETENTE DE CHAÎNE. Cela est normal. Quand il n'est plus possible d'obtenir un réglage de tension correct, un maillon devra être enlevé pour raccourcir la chaîne. Pour effectuer cette réparation, voir votre Service Après-Vente. Téléphonez au 1-800-668-1238 pour plus de renseignements.



AVERTISSEMENT: Ne jamais enlever plus de 3 maillons d'une chaîne. Cela pourrait endommager la roulette.

Lubrification de la Chaîne

S'assurer toujours que le système de graissage automatique fonctionne correctement. Garder le réservoir d'huile rempli d'huile pour chaîne, guide-chaîne et roulette. Une lubrification adéquate du guide-chaîne et chaîne pendant toute coupe est essentielle pour minimiser la friction.

Ne jamais laisser la chaîne et le guide-chaîne sans aucune huile. Le fonctionnement de la tronçonneuse à sec ou avec peu d'huile décroîtrait sa performance et sa longévité, rendrait la chaîne émoussée et userait rapidement le guide-chaîne à cause du surchauffage. Une décoloration du guide-chaîne et de la fumée sont des signes de manque d'huile.

Affûtage de la Chaîne

L'affûtage de la chaîne exige des outils spéciaux afin d'assurer que les dents sont aiguisées au bon angle et à la bonne profondeur. Pour l'utilisateur inexpérimenté, il est recommandé que la tronçonneuse soit affûtée dans un Service Après-Vente agréé.

Si vous désirez affûter votre propre chaîne, des outils spéciaux sont disponibles chez votre revendeur.



AVERTISSEMENT: Ne jamais enlever, modifier ou rendre inutilisable tout dispositif de sécurité fourni avec l'appareil. Chain Brake®/ Arceau Protecteur et la chaîne de sécurité (rebonds réduits) de la tronçonneuse sont des dispositifs de sécurité primordiaux, présents pour votre protection.

RENSEIGNEMENTS SUR LE REMPLACEMENT DE LA CHAÎNE

Il peut y avoir l'autre qualité pièces de remplacement équivalentes pour atteindre de protection de dessous-de-table.

Longueur de barre	L'unité Relie	#
16"	55 DL	49M1655P753

DÉPANNAGE

MOTEUR REFUSE DE DÉMARRER

CAUSE

Moteur s'arrête ou le cordon électrique

SOLUTION

Vérifier le cordon électrique et s'assurer qu'il est branché dans une prise électrique

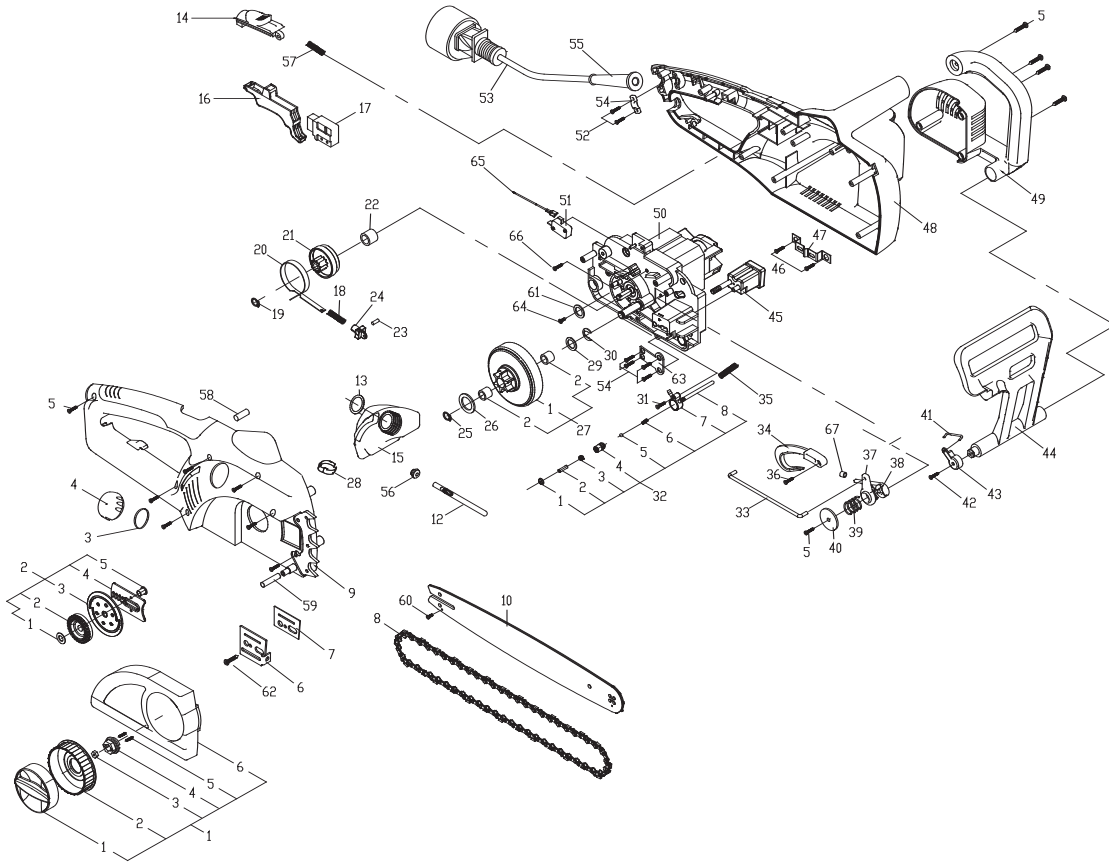
Si vous avez besoin d'aide, contactez votre concessionnaire agréé.

**Dans l'appel du Candas :1-800-668-1238 , Dans l'appel des USA :1-866-747-9816
pour plus de renseignements.**

CARACTÉRISTIQUES

CHEVAUX MAXIMUM	3.5
POIDS (LIVRES) AVEC GUIDE CHAÎNE ET CHAÎNE	9,7
AUTRES CARACTÉRISTIQUES:	
CHAIN BRAKE® / Arceau protecteur	
Double Isolation	
Protège-main droit	
CSA-c-us-Énuméré	
Bouton d'arrêt/blocage	
Capteur de chaîne	

PARTS LIST



N	R f r e n c e	Description	N	R f r e n c e	Description
1	6228-211403	BOITIER (R)	35	6024-211507	RESSORT
2	6228-211504	COVERTURE ASS'Y De CHAN	36	6SQABB04-20	VIS
3	6012-210501	RONDELLE	37	6181-211501	EMBRAYAGE
4	6017-210103	COVERTURE D HUILE	38	6181-211502	EMBRAYAGE
5	6SDABB04-18	VIS	39	6024-211503	RESSORT
6	6043-211302	PEIGNE MOBILE	40	6014-211501	RONDELLE
7	6050-211301	RONDELLE D HUILE	41	6154-211301	BARRE SE RELIANTE
8	6220-210201	CHA N	42	6SQABB4.5-30	VIS
9	6038-211505	BOITIER (R)	43	6154-211504	CONNECTEUR
10	9040-3101124	BARRE	44	6017-211503	GARDE DE FRONT -HAND
12	6228-211506	PIPE ASS'Y D HUILE	45	6228-211303	ASS'Y FIXE
13	6076-210503	RONDELLE	46	6SDABB04-16	VIS
14	6056-211502	COMMUTEZ LE BUTTON	47	6079-211503	RESSORT
15	6066-211501	R SERVOIR D HUILE	48	6038-211506	BOITIER (L)
16	6028-211502	D CLENCHMET	49	6086-211501	VRAIE COVERTURE
17	6022-211502	INTERRUPTEUR	50	6228-211301	R DUCTEUR DE TRANSMISSION
18	6024-211301	RESSORT			DE MOTEUR ASS'Y
19	6CY-08	ANNEAU	51	6022-211501	INTERRUPTEUR
20	6079-211501	RESSORT, FREIN	52	6SDABB04-10	VIS
21	6073-211501	VITESSE	53	6011-211502	CORDON DE SECTEUR
22	6059-210201	COUVERTURE D AJUSTEMENT	54	6043-840001	PASSE-FILS
23	6115-211502	GOUPILLE	55	6059-855001	GARDE DE CORDE
24	6154-211502	RACCORDEMENT	56	6012-211501	ARRÊT EN CAOUTCHOUC
25	6CG-9.5	ANNEAU De C	57	6024-211506	RESSORT
26	6014-210502	RONDELLE	58	6PC05-14.7	GOUPILLE
27	6228-210104	ROULEMENT ASS'Y DE VITESSE	59	6PC4.4-35	GOUPILLE
28	6077-211501	COVERTURE	60	6SQAB-04-06	VIS
29	6057-210102	RONDELLE	61	6WFB-03-12	RONDELLE
30	6CC-10	ANNEAU De C	62	6SDABB03-15	VIS
31	6SDABB03-18	VIS	63	6158-211502	PLAT
32	6228-210105	POMPE ASS'Y D HUILE	64	6SLABB03-06	VIS
33	6188-211501	TIREZ LA BARRE	65	6010-211301	FIL
34	6114-211501	TIREZ LA PLAT	66	6SDABB04-14	VIS
			67	6124-TH0101	DOUILLE

GARANTIE LIMITÉE DU FABRICANT POUR:



La garantie limitée énoncée ci-après est accordée par MTD LLC (« MTD ») et concerne les marchandises neuves achetées et utilisées aux États-Unis, ainsi que dans leurs possessions et territoires.

MTD garantit ce produit contre tout vice de matière ou de façon pendant une période de deux (2) ans à compter de la date d'achat initiale et elle se réserve le choix de réparer ou de remplacer, à titre gratuit, toute pièce présentant un vice de matière ou de façon. Cette garantie limitée ne s'appliquera que dans la mesure où le produit aura été utilisé et entretenu conformément au Guide de l'utilisateur fourni avec le produit et n'aura pas fait l'objet d'un usage inadéquat, abusif, commercial ou négligent, d'un accident, d'un entretien inadéquat, d'une modification, de vandalisme, d'un vol, d'un incendie, de dégâts d'eau ou d'un endommagement résultant d'un autre péril ou d'un désastre naturel. Les dommages résultants de l'installation ou de l'utilisation de tout accessoire ou équipement non approuvé par MTD pour une utilisation avec le(s) produit(s) couvert(s) par le présent guide annuleront la garantie et ce qui concerne les dommages qui en résulteraient éventuellement. La présente garantie est limitée à quatre-vingt-dix (90) jours à compter de la date d'achat au détail initiale pour tout produit MTD utilisé à des fins locatives ou commerciales, ou toute utilisation produisant des revenus.

POUR L'ENTRETIEN-DÉPANNAGE : L'Entretien-dépannage au titre de la garantie est disponible, SUR PRÉSENTATION DE PREUVE D'ACHAT, AUPRÈS DU DISTRIBUTEUR AGRÉÉ LOCAL. Pour obtenir le nom du distributeur agréé local, consulter les Pages Jaunes ou se mettre en rapport avec le Service après-vente de MTD LLC. en appelant le 1-866-747-9816 ou en écrivant au P.O. Box 361131, Cleveland OH 44136-0019 ou en appelant le 1-800-668-1238 au Canada. Aucun produit retourné à l'usine sans permission écrite préalable du service après-vente de MTD LLC ne sera accepté.

La garantie limitée n'offre aucune couverture dans les cas suivants :

- A. Lame
- B. MTD n'accorde aucune garantie pour les produits vendus ou exportés des États-Unis, de leurs possessions et territoires, exception faite en ce qui concerne les produits vendus par l'intermédiaire de ses canaux agréés de distribution à l'exportation.

MTD se réserve le droit de modifier ou d'améliorer la conception de tout produit MTD sans assumer l'obligation de modifier tout produit d'une fabrication plus ancienne.

Aucune garantie implicite, y compris toute garantie de valeur marchande ou d'adaptation à une fin particulière, ne s'applique après la période applicable de garantie expresse écrite ci-dessus concernant les pièces qui sont identifiées. Aucune autre garantie ou caution expresse, écrite ou orale, à l'exception de celle mentionnée ci-dessus, accordée par toute personne ou entité, y compris tout distributeur ou détaillant, concernant tout produit n'engagera la responsabilité de MTD. Pendant la période de la garantie, le remède exclusif est la réparation ou le remplacement du produit dans les conditions énoncées ci-dessus. (Certains états ne permettent pas la limitation de la garantie implicite, il est donc possible que la limitation ci-dessus ne s'applique pas à vous.)

Les clauses énoncées dans la présente Garantie constituent le recours unique et exclusif inhérent aux ventes. MTD ne sera en aucun cas tenue pour responsable de tout dommage indirect ou consécutif ou de dommages comprenant, entre autres mais pas seulement, les dépenses encourues du fait du recours à des services de remplacement ou de substitution pour l'entretien des pelouses, le transport ou des frais connexes, ou les frais entraînés par une location destinée à remplacer provisoirement un produit sous garantie. (Certains états ne permettent pas la limitation de la garantie implicite, il est donc possible que la limitation ci-dessus ne s'applique pas à vous.)

Aucun recouvrement, quel qu'il soit, ne sera d'un montant supérieur au prix du produit vendu. Toute modification des dispositifs de sécurité du produit annulera la présente Garantie. Vous assumez tout risque et toute responsabilité résultant de la perte, de l'endommagement ou du préjudice que vous et votre propriété et/ou d'autres et leur propriété pourront encourir du fait de l'utilisation normale, de la mauvaise utilisation ou de l'empêchement d'utiliser le produit.

La présente garantie limitée n'est accordée qu'à l'acheteur initial, au preneur initial ou à la personne à laquelle le produit a été offert.

Le Droit des États vis à vis de la présente garantie : la présente garantie vous confère certains droits juridiques, et vous pouvez bénéficier d'autres droits, lesquels varient d'une juridiction à l'autre.

Pour obtenir l'adresse du distributeur agréé le plus proche, composer le : 1-866-747-9816 aux États-Unis ou le 1-800-668-1238 au Canada.

MTD LLC
P.O. Box 361131
Cleveland, OH 44136-0019

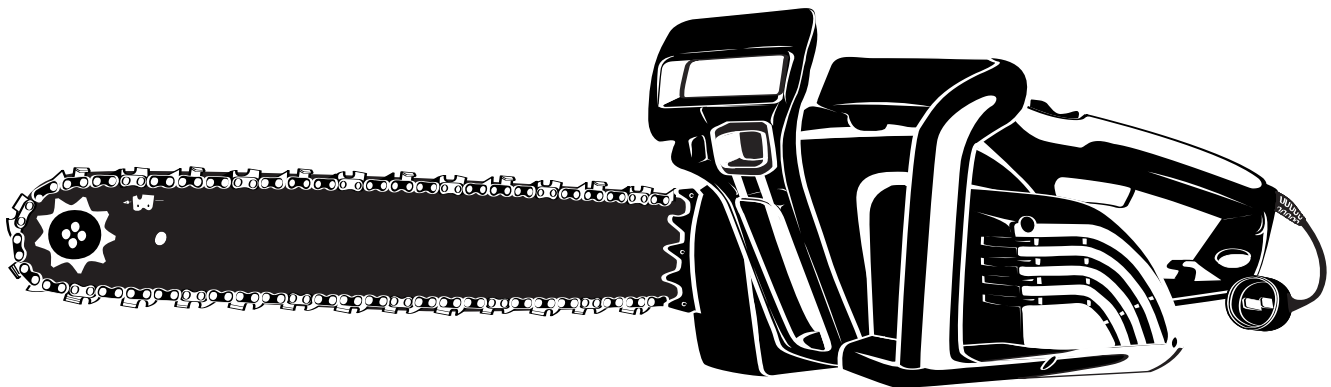


Español

Manuel del Dueño/Operador

**Sierras Electricas
de Cadena**

Modelo MTD1416NT



**IMPORTANT: READ SAFETY RULES
AND INSTRUCTIONS CAREFULLY**

ESTE MANUAL ES IMPORTANTE

NO LO DESECHE

P/N 6096-211304©2005
IMPRESO EN CHINA

INTRODUCCION

MUCHAS GRACIAS

Gracias por haber adquirido este gran producto. Esta moderna herramienta motriz de exteriores está diseñada para brindarle muchas horas de servicio útil. Usted comprobará que es un artefacto que le ahorrará mucho trabajo. Este manual del operador le brinda instrucciones de operación de fácil comprensión. Lea todo el manual y siga todas las instrucciones para mantener su nueva herramienta motriz de exteriores en las mejores condiciones de funcionamiento.

REFERENCIAS, ILUSTRACIONES Y ESPECIFICACIONES DEL PRODUCTO

Toda la información, las ilustraciones y las especificaciones contenidas en este manual se basan en la información más reciente disponible en el momento de impresión del manual. Nos reservamos el derecho de hacer cambios en cualquier momento sin aviso previo.

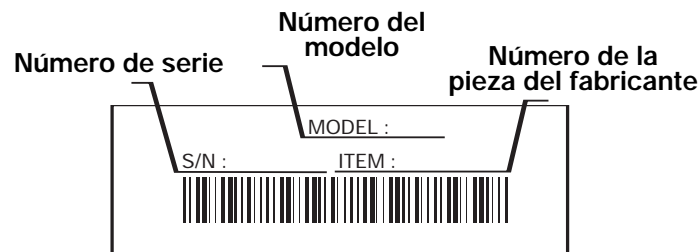
Copyright© 2004 MTD SOUTHWEST INC. Todos los derechos reservados.

INFORMACION DEL SERVICIO

El servicio de esta unidad, ya sea durante o después del período cubierto por la garantía, debe ser realizado solamente por un proveedor de servicios autorizado y aprobado. Llame **1-800-668-1238** para obtener una lista de distribuidores de servicio localizados cerca de usted. Para obtener más detalles sobre su unidad, visite nuestro sitio en www.yardmachines.com.

NO REGRESE SU UNIDAD AL VENDEDOR. PARA SOLICITAR SERVICIO POR LA GARANTIA, DEBERA PRESENTAR PRUEBA DE SU COMPRA.

Antes de que empiece a ensamblar su nuevo equipo, por favor ubique la placa que contiene el modelo de la unidad y escriba esa información en el espacio en blanco aquí debajo. Aquí debajo se explica la muestra de una placa del modelo.



INDICE DE CONTENIDOS

Llamadas a apoyo al cliente	44
Normas para una operación segura	45
Conozca su unidad	50
Instrucciones de arranque y apagado	52
Instrucciones de operación	53
Instrucciones de mantenimiento y reparación	55
Cuadro de solución de problemas	61
Especificaciones	61
Lista de Piezas	62
Garantía	63

Copie el número del modelo/
pieza del fabricante aquí: _____

Copie el número
de serie aquí: _____

Antes de arrancar u operar este equipo, asegúrese de leer y comprender bien este manual.

ESTE PRODUCTO ESTA CUBIERTO POR UNA O MAS PATENTES DE EE.UU., OTRAS PATENTES EN TRAMITE.

NORMAS PARA UNA OPERACION SEGURA

Los símbolos de seguridad se utilizan para llamar su atención sobre posibles peligros. Los símbolos de seguridad y sus explicaciones merecen toda su atención y comprensión. Los símbolos de seguridad no eliminan ningún peligro por sí mismos. Las instrucciones o advertencias que ofrecen no substituyen las medidas adecuadas de prevención de accidentes.

SIMBOLO	SIGNIFICADO
---------	-------------



ALERTA DE SEGURIDAD:

Indica peligro, advertencia o precaución. Debe prestar atención para evitar sufrir graves lesiones personales. Puede ser utilizado junto con otros símbolos o figuras.

NOTA: Le ofrece información o instrucciones que son esenciales para la operación o mantenimiento del equipo.

Lea el manual del operador y siga todas las advertencias e instrucciones de seguridad. De no hacerlo, el operador y/o los espectadores pueden sufrir graves lesiones.

SI TIENE PREGUNTAS, LLAME AL 1-800-668-1238

SIMBOLO	SIGNIFICADO
---------	-------------



PELIGRO: El no obedecer una advertencia de seguridad puede conducir a que usted u otras personas sufran graves lesiones. Siga siempre las precauciones de seguridad para reducir el riesgo de incendio, descarga eléctrica y lesiones personales.



ADVERTENCIA: El no seguir una advertencia de seguridad puede conducir a que usted u otras personas sufran lesiones. Siga siempre las precauciones de seguridad para reducir el riesgo de incendio, descarga eléctrica y lesiones personales.



PRECAUCION: El no seguir una advertencia de seguridad puede conducir a daño patrimonial o a que usted u otras personas sufran lesiones personales. Siga siempre las precauciones de seguridad para reducir el riesgo de incendio, descarga eléctrica y lesiones personales.

• IMPORTANTE INFORMACION DE SEGURIDAD •

LEA TODAS LAS INSTRUCCIONES ANTES DE LA OPERACION



ADVERTENCIA: La motosierra, si se emplea bien, es un instrumento de trabajo cómodo y eficaz; si se usa incorrectamente o sin las debidas precauciones puede convertirse en un instrumento peligroso. Para que su trabajo sea siempre agradable y seguro, respete escrupulosamente las normas de seguridad indicadas a continuación en el presente manual.

- Lea todas las instrucciones con cuidado. Conozca bien los controles y el uso correcto de la unidad.
- No opere esta unidad si está cansado, enfermo, o bajo los efectos del alcohol, drogas o medicamentos.
- Nunca permita que los niños manejen el equipo. Nunca permita que los adultos usen la unidad cuando no estén familiarizados con las instrucciones. Nunca permita que las personas adultas manejen el equipo si no cuentan con las instrucciones apropiadas.
- Inspeccione la unidad antes de utilizarla. Cambie las partes dañadas. Asegúrese de que los sujetadores estén bien colocados y asegurados. Cambie las partes accesorias de corte que estén quebradas, cascadas o dañadas de cualquier forma.
- Conozca los controles y cómo parar con rapidez la sierra de cadena.

- Transporte la sierra-de-cadena con el motor apagado, la barra guía y la cadena de la sierra hacia atrás.
- Cuando transporte su sierra-de-cadena, utilice la funda apropiada para la barra guía.

DURANTE LA OPERACION

- Use lentes o gafas de protección que cumplan con las normas ANSI Z87.1-1989, y protección para sus oídos/audición mientras opere esta unidad. Use siempre una máscara facial o para protegerse contra el polvo si la operación levanta polvo.
- Use pantalones largos y gruesos y guantes. No vista ropa holgada, alhajas, pantalones cortos, sandalias ni esté descalzo. Asegure su cabello sobre el nivel de los hombros.
- Use la unidad únicamente con la luz del día o con buena luz artificial.
- NO empiece a cortar hasta que no tenga una área de trabajo despejada, se encuentre seguramente parado, y haya planeado el sendero de retirada del árbol que está cayendo.
- Mantenga todas las partes de su cuerpo alejadas de la cadena de la sierra cuando el motor éste encendido.
- Antes de arrancar el motor, asegúrese que la cadena de la sierra no este haciendo contacto con ningún objeto.

NORMAS PARA UNA OPERACION SEGURA

- NO opere la sierra-de-cadena cuando este dañada, impropriadamente ajustada, o no segura y completamente ensamblada. Asegúrese de que la cadena de la sierra deje de moverse cuando el gatillo de aceleración sea liberado.
- Use extrema precaución cuando corte arbustos pequeños, porque material delgado puede ser atrapado por la cadena de la sierra y azotarlo, o hacerle perder el balance.
- Cuando corte ramas que contengan tensión, este alerta del resorteo para que usted no sea golpeado cuando la tensión de las fibras de la madera sea liberada.
- No corte a través de clavos, cabillas en el árbol, traviesas o plataformas de ferrocarril. Inspeccione el árbol que vaya a cortar para determinar si hay objetos extraños que pudieran causar lesiones personales o dañar su sierra de cadena.
- Tan pronto golpee un objeto extraño, pare el motor e inspeccione minuciosamente para Over si hay alguna avería. Repare según sea necesario.
- No recomendamos que se use la sierra de cadena subido a un árbol o desde una escalera.
- Todo el servicio de la sierra-de-cadena, además de los artículos listados en las instrucciones de seguridad y mantenimiento en el manual del usuario, deberán ser ejecutadas por un personal de servicio de sierra-de-cadena competente.
- Utilice la herramienta adecuada. Corte solamente madera. No utilice la sierra de cadena para propósitos para los cuales no fue diseñada. Pro ejemplo, no utilice la sierra de cadena para cortar plásticos, mampostería, o materiales que no sean para la construcción.
- No se estire demasiado. Mantenga siempre el equilibrio y el balance debidos.
- Sostenga siempre la unidad con ambas manos cuando la esté operando. Agarre con firmeza todos los mangos o agarraderas.
- Aplique el freno de cadena antes de cualquier cambio de posición del operador en el área de corte. Como medida adicional de precaución, aplique el freno de cadena antes de soltar la sierra.
- Nunca toque la cadena ni trate de dar servicio a la sierra con el motor encendido. Cerciórese de que todas las partes móviles se hayan detenido. Deje enfriar la sierra, ya que la cadena pudiera estar caliente.
- Inspeccione la barra y la cadena a intervalos frecuentes para el ajuste debido. Cerciórese de que la barra y la cadena estén debidamente apretadas y afiladas. Verifique visualmente que no estén averiadas. Repare cualquier avería antes de arrancar o de operar de nuevo la sierra de cadena.

PROTEJASE CONTRA EL CONTRAGOLPE



ADVERTENCIA: El contragolpe puede ocurrir cuando la nariz o la punta de la barra guía toca un objeto, o cuando la madera se cierra y pellizca la sierra de cadena cuando esta cortando. Si la punta de la barra hace contacto, puede causar un a reacción reversiva relámpago, pateando la barra guía hacia arriba y atrás en dirección del operado. Pellizcando la sierra de cadena a lo largo de la barra guía puede empujar la barra rápidamente hacia atrás en dirección el operador. Cualquiera de estas reacciones puede causar que usted pierda el control de la sierra, lo cual puede resultar en serias lesiones personales.

No dependa exclusivamente de los dispositivos de seguridad integrados en su sierra. Como usuario de sierra de cadena, usted debe dar varios pasos para que en sus trabajos de corte no ocurran accidentes ni lesiones.

- Con una comprensión básica del contragolpe, usted puede reducir o eliminar el elemento de sorpresa. La sorpresa repentina contribuye a los accidentes.
- Sostenga la sierra firmemente con ambas manos cuando el motor esté en marcha. Mantengo un buen agarre en la sierra con ambas manos, la mano derecha en la manija posterior, y la mano izquierda en la manija frontal, cuando el motor este en marcha. Utilice un agarre firme con los dedos y el pulgar al rededor de las manijas de la sierra.
- Asegúrese de que el área donde este cortando esté libre de obstrucciones. No deje que la nariz de la barra haga contacto con un tronco, rama, o cualquier otra obstrucción que pueda ser golpeada mientras usted se encuentra operando la sierra.
- Corte solo a altas velocidades del motor.
- No trate de sobrepasar o cortar arriba de la altura del hombro.
- Siga las instrucciones de afilado y mantenimiento del fabricante para la cadena de la sierra.
- Utilice solamente barras y cadenas especificadas por el fabricante o el equivalente.

NORMAS PARA UNA OPERACION SEGURA

OTRAS PRECAUCIONES DE SEGURIDAD

- ¡NO opere la sierra de cadena con una mano! Serias lesiones al operador, ayudantes, espectadores, o cualquier combinación de estas personas puede resultar por la operación con una mano. La sierra esta destinada para el uso con dos manos.
- No opere la sierra de cadena cuando esté cansado.
- No se vista con ropa suelta o joyeria ya que pueden ser atrapadas por las partes en movimiento. Ligas o calzado contra el resbalo son recomendados cuando trabaje al aire libre. Utilice cubiertas protectoras para cabello para sostener el cabello largo.
- Utilice lentes de precaución, ropa entallada, calzado de precaución, guantes de protección, y equipo de protección para oídos y cabeza.
- Mantenga niños y espectadores alejados. No permita que los visitantes tengan contacto con la sierra o la extensión de poder. Todos los visitantes deberán ser mantenidos fuera del área de trabajo.
- No retire, dañe ni desactive ninguno de los dispositivos de seguridad. No use nunca una sierra de cadena averiada, modificada ni reparada o armada indebidamente. Verifique con regularidad si funciona correctamente. Use solamente barras y cadenas de la longitud indicada en la tabla que aparece aquí.
- Nunca realice operaciones ni reparaciones por cuenta propia salvo las de mantenimiento de rutina. Para obtener información, consulte solamente con talleres especializados y autorizados.
- Si se necesita poner fuera de servicio la motosierra, no se debe de abandonar en el medio ambiente, se aconseja entregarla al Distribuidor que proveerá a su correcta colocación.
- Tenga cuidado al derribar un árbol. Cerciórese de que ha planificado una ruta de escape cuando está derribando, y mantenga alejados a todos los transeúntes.
- Esté alerta; pare la máquina si alguien entra en el área de corte, que es generalmente de 3 a 4 pies alrededor del operador.
- Tenga cuidado al trabajar en una cuadrilla para evitar lesiones a un compañero de trabajo que pudiera entrar en el área de corte.

- Dar (prestar) la motosierra solamente a personas expertas o con conocimiento del funcionamiento y del correcto uso. Prestar conjuntamente el manual de instrucciones de uso, que se deberá leer antes de comenzar el trabajo.
- Apague el motor antes de soltar la sierra. No deje el motor encendido cuando la sierra está sola.
- Guarde la unidad bajo llave en un lugar adecuado y seco para evitar que sea usada por personas no autorizadas y se dañe, fuera del alcance de los niños.
- Nunca moje ni rocíe la unidad con agua ni con ningún otro líquido. Mantenga las manijas secas, limpias y sin residuos. Limpie la unidad luego de cada uso, lea las instrucciones de *Limpieza y Almacenamiento*.
- Guarde estas instrucciones. Consúltelas con frecuencia y utilícelas para enseñar a otros usuarios. Si le presta esta unidad a alguien, préstele también estas instrucciones.
- No utilice la unidad bajo la lluvia, en una tormenta ni en condiciones inclementes del tiempo. Espere hasta que haya pasado el peligro de tormenta antes de operar este producto.

ADVERTENCIAS DE SEGURIDAD ELECTRICA

- Puede utilizar un cable de extensión de 2 alambres (o sea, sin alambre de tierra), ya que la herramienta tiene doble aislación. Sin embargo, puede usarse también un cable de extensión de 3 alambres (un cable de extensión con alambre de tierra) que utilice un conector tipo NEMA (patillas paralelas, tierra en "U"). Puede adquirir cables de extensión en su comercio local. Utilice únicamente cables de extensión de camisa cilíndrica aprobados para uso al aire libre.



ADVERTENCIA: Para reducir el riesgo de choque eléctrico, utilice únicamente cables de extensión aprobados para uso al aire libre, por ejemplo un cable tipo SW-A, SOW-A, STW-A, STOW-A, SJW-A, SJOW-A, SJTW-W, o SJTOW-A.

NORMAS PARA UNA OPERACION SEGURA

- Esta herramienta tiene doble aislación. Repare o sustituya los cables dañados.
- Para reducir el riesgo de choques eléctricos, esta unidad tiene un enchufe polarizado (una patilla es más ancha que la otra). Esta unidad calza en un enchufe polarizado de una sola manera. Si el enchufe no calza totalmente en la unidad, inviértalo. Si tampoco calza así, utilice un cable con la conexión correcta. No modifique el cable ni la unidad de manera alguna.
- **JUEGOS DE CABLES:** Asegúrese de que su juego de cables está en buen estado y que el cable tenga la capacidad adecuada para conducir la corriente que su equipo utilice. Un juego de cables de menor tamaño producirá una caída del voltaje de línea que producirá una pérdida de potencia y un sobrecalentamiento. La tabla siguiente ilustra el tamaño correcto de cable a utilizar según la longitud del cable y el régimen de amperaje de la placa de identificación. En caso de duda, utilice la siguiente medida de cable más grande. Cuanto menor sea el número de medida, mayor capacidad tendrá el cable. Para evitar la desconexión del cable de la unidad, utilice el gancho de cable que se indica en las Instrucciones de arranque/parada.
- Debe proveerse protección de interrupción de circuito accionada por corriente de pérdida a tierra (GFCI) para el/los circuito(s) o toma(s) que se utilizarán para esta unidad. Existen receptáculos disponibles que tienen protección GFCI incorporada y pueden ser utilizados para esta medida de seguridad.
- Inspeccione periódicamente todos los cables de extensión y la conexión de la unidad a la corriente. Revise el cable con cuidado para Over si hay deterioros, cortes, o grietas en la aislación. Inspeccione también las conexiones para Over si han sufrido daños. Si observa algún defecto, repare o reemplace los cables.
- Evite los ambientes peligrosos. Nunca utilice la unidad en ambientes húmedos o mojados. La humedad crea peligro de choque eléctrico.
- No toque el enchufe o la unidad con las manos mojadas.
- Examine los interruptores eléctricos. No utilice la sierra de cadena si los interruptores no se encienden y apagan correctamente. No intente hacer cualquier reparación en los interruptores eléctricos. Lleve su sierra un Centro de Servicio Autorizado.
- Mantenga el cordón alejado del área de corte y colóquelo de modo que no se enrede en ramas y demás, durante el corte.
- Use un cordón de extensión suficientemente fuerte como para portar la corriente que utilizará la herramienta. Un cordón demasiado corto provocará una caída del voltaje de línea que resultará en pérdida de potencia y recalentamiento.
- Esta sierra de cadena con motor eléctrico fue clasificada por la CSA como una sierra de clase 2C. Y fué destinada para el uso infrecuente por dueños caseros, excursionistas, jornaleros. Para aplicaciones generales tales como el limpiado, podado, cortado de leña para chimenea, etc. No fue diseñada para un uso prolongado. Si el uso destinado envuelve el uso prolongado de los periodos de operación, esto puede causar problemas circulatorios en las manos del usuario debido a la vibración. Puede ser apropiado el utilizar la sierra teniendo un mecanismo de anti-vibrado.

Escala Mínima del Alambre					
Modelo de Sierra	Promedio de Amperaje	Voltios AC	Longitud del Cable de Poder		
			7.5m / 25 pies	5m / 50 pies	30m / 100 pies
MTD1416NT	13.5	110 / 120	16 Escala	16 Escala	14 Escala

CONSERVE ESTAS INSTRUCCIONES

NORMAS PARA UNA OPERACION SEGURA

SIMBOLOS DE SEGURIDAD E INTERNACIONALES

Este manual del operador describe los símbolos y figuras de seguridad e internacionales que pueden aparecer en este producto. Lea el manual del operador para obtener información completa acerca de la seguridad, ensamble, operación y mantenimiento y reparación.

SIMBOLO

SIGNIFICADO



- **SIMBOLO DE ALERTA DE SEGURIDAD**

Indica peligro, advertencia o precaución. Puede ser utilizado junto con otros símbolos o figuras.



- **ADVERTENCIA - LEA EL MANUAL DEL OPERADOR**

Lea el manual del operador y siga todas las advertencias e instrucciones de seguridad. De no hacerlo, el operador y/o los espectadores pueden sufrir graves lesiones.



- **USE PROTECCION OCULAR, AUDITIVA Y EN SU CABEZA**

ADVERTENCIA: Los objetos arrojados por la unidad y el ruido fuerte pueden causar graves lesiones oculares y pérdida auditiva. Utilice protección ocular que cumpla con las normas ANSI Z87.1 y protección auditiva cuando opere esta unidad. Los objetos que caen pueden causar graves lesiones en su cabeza. Use protección en su cabeza mientras opere esta unidad. Use una careta completa cuando la necesite.



- **NO USE LA UNIDAD BAJO LA LLUVIA**

ADVERTENCIA: Evite los ambientes peligrosos. No opere nunca su unidad bajo la lluvia, ni en condiciones de humedad. La humedad presenta un riesgo de descarga eléctrica.

SIMBOLO

SIGNIFICADO



- **AVISO SOBRE LA BARRA DE GUÍA**

Debe evitarse el contacto de la punta de la barra de guía con cualquier objeto. El contacto con la punta pudiera hacer que la barra de guía se mueva repentinamente hacia arriba y hacia atrás, lo cual pudiera provocar lesiones graves.



- **USE AMBAS MANOS**

Use siempre ambas manos al operar la sierra de cadena. Nunca opere la sierra con una sola mano.



Evite el contacto con la cabeza de barra.

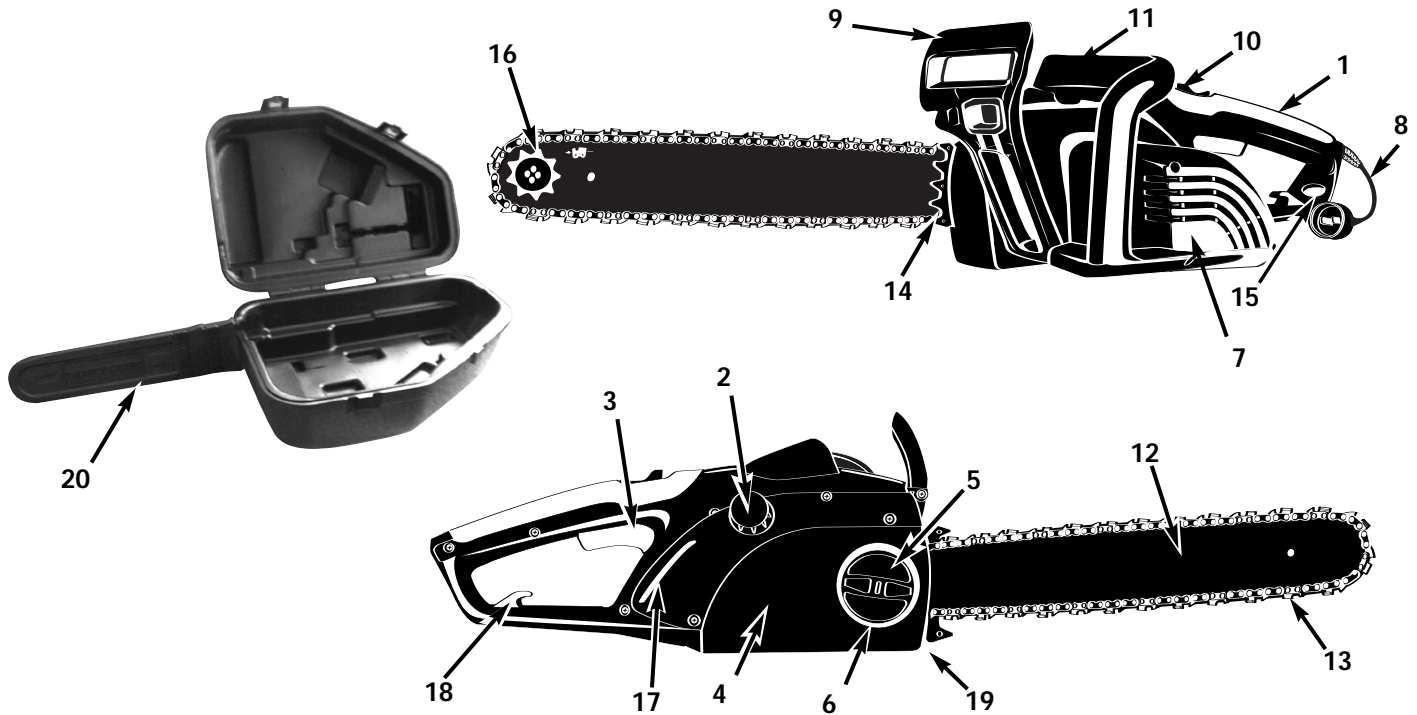


- **AISLAMINETO DOBLE**

Existen dos sistemas de aislamiento en vez de conexión a tierra. No se proporciona ningún medio de conexión a tierra en una unidad de aislamiento doble, ni deben agregarse medios de conexión a tierra a esta unidad.

NORMAS PARA UNA OPERACION SEGURA

CONOZCA SU UNIDAD



COMPONENTES DE LA SIERRA DE CADENA

1. MANIJA TRASERA
2. TAPADERA DEL TANQUE DE ACEITE
3. INTERRUPTOR DEL GATILLO DE ENCENDIDO / APAGADO
4. CUBIERTA DEL PINON
5. TORNILLO DE AJUSTE PARA LA TAPA DE LA RUEDA DE CADENA ARTICULADA.
6. ANILLO TENSOR DE LA CADENA
7. MOTOR ELECTRICO
8. CABLE ELECTRICO
9. MANIJA DEL CHAIN BRAKE® / GUARDAMANOS
10. BOTON DE SEGURO / LIBRE
11. MANIJA FRONTAL
12. BARRA GUIA
13. CADENA DE LA SIERRA
14. CLAVOS
15. GUARDAMANOS TRASERO
16. NARIZ DE LA BARRA GUIA
17. RANURA DE INSPECCION DEL TANQUE DE ACEITE
18. RETENEDOR DEL CORDÓN
19. ENGANCHE DE LA CADENA
20. CAJA PORTATIL SILENCIOSA (disponible en algunos modelos)

ASPECTOS DE SEGURIDAD

Los números que preceden a la descripción corresponden con los números en la página anterior para ayudarle a localizar los aspectos de seguridad.

- 3 EI INTERRUPTOR DEL GATILLO DE ENCENDIDO / APAGADO detiene el motor de la sierra cuando es abatido.
- 7 EI MOTOR ELECTRICO está doblemente aislado para mayor seguridad.
- 9 La MANIJA DEL CHAIN BRAKE® / GUARDAMANOS protege la mano izquierda del operador en caso de que se resbale de la manija frontal mientras la sierra esta en marcha.
- 10 EI BOTON DE SEGURO / LIBRE previene la aceleración accidental del motor de la sierra. El gatillo no puede ser apretado a menos de que el botón de seguro / libre esté presionado.
- 13 CADENA PARA SIERRA DE CONTRAGOLPE BAJO ayuda significativamente a reducir el contragolpe, o la intensidad del mismo, debido a los eslabones de resguardo y al hondo calibre especialmente diseñado.
- 19 EI ENGANCHE DE LA CADENA reduce el peligro de una lesión en caso de que la cadena de la sierra se roompa o descarrile durante la operación. El enganche de la cadena esta diseñado para interceptar el azote de una cadena.

NORMAS PARA UNA OPERACION SEGURA

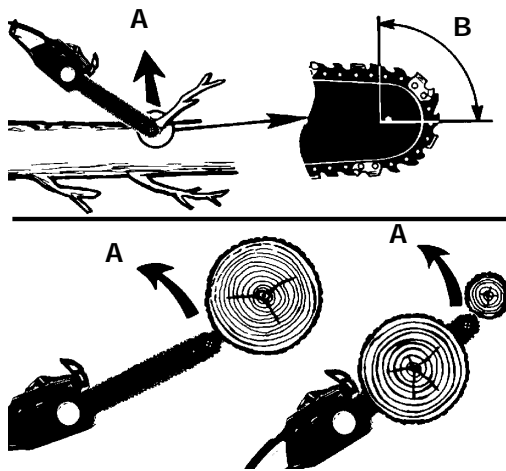
MAS ACERCA DEL CONTRAGOLPE



ADVERTENCIA: El contragolpe puede conducir a peligrosa pérdida de control de la sierra-de-cadena y resultar en serias o fatales lesiones al operador de la sierra o cualquier persona que se encuentre cerca. Siempre esté alerta. El contragolpe rotacional y el contragolpe por pellizco, son los mayores peligros operacionales de la sierra-de-cadena, y la causa principal de la mayoría de los accidentes.

Cuidese de:

El Contragolpe

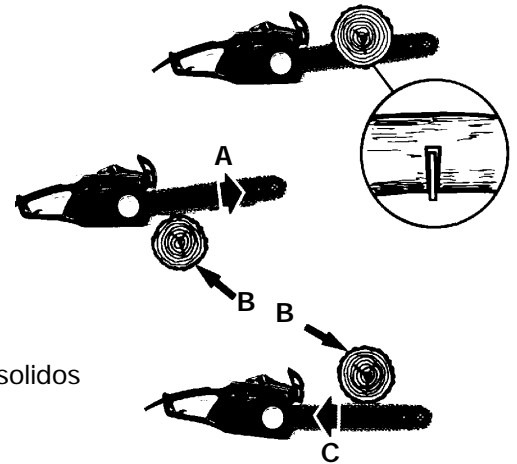


A = Sendero del contragolpe
B = Zona de reacción del contragolpe

Fig. 1

Cuidese de:

El Empuje (Contragolpe de Pellizco) y las Reacciones de Jalado



A = Jalado
B = Objetos solidos
C = Empuje

Fig. 2

EL CONTRAGOLPE puede ocurrir cuando la NARIZ o la PUNTA de la barra guía toca un objeto, o cuando la madera se cierra y pellizca la cadena al momento del corte.

El contacto de la punta algunas veces puede causar una reacción reversiva relámpago, pateando la barra guía hacia arriba y atrás hacia el operador.

EL PELLIZCADO de la cadena de la sierra a lo largo de la BASE de la barra guía puede JALAR la sierra hacia adelante lejos del operador. PELLIZCANDO la cadena de la sierra a lo largo de la PUNTA de la barra guía puede EMPUJAR la barra guía rápidamente para atrás hacia el operador.

Cualquiera de estas reacciones puede causar que usted pierda el control de la sierra, lo cual puede resultar en serias lesiones personales.

INSTRUCCIONES DE ARRANQUE Y APAGADO



ADVERTENCIA: Nunca opere la sierra sin que la barra y la cadena estén debidamente instaladas.

INSTRUCCIONES DE ARRANQUE

1. Llene el tanque de aceite con el aceite correcto para barra y cadena (Fig. 3). Use un embudo, limpie los derrames y cerciórese de que no entre ninguna suciedad en el tanque.

NOTA: La cadena requiere lubricación cuando está en uso, para minimizar la fricción con la barra guía. El tanque de aceite almacena 4.5 ozs de aceite, suficiente para lubricar la cadena de 12-15 minutos de cortado.



PRECAUCION: El nivel de aceite del tanque de aceite deberá ser revisado frecuentemente durante la operación para evitar la falta de lubricación a la barra y cadena.

NOTA: Su sierra de cadena esta equipada con un sistema de Aceitador Automático y es la UNICA fuente de lubricación para la barra y cadena.

2. Asegúrese de que el Chain Brake® se encuentre desenganchado antes de arrancar su unidad (Fig. 4). Desengánchelo halando hacia atrás hacia el motor.
3. Enganche el cordón de extensión al retenedor del cordón (A) (Fig. 5), empotrado en el mango trasero para evitar que el cordón se salga del mango. Doble el cordón de extensión, aproximadamente 30 cm (1 pie) desde el extremo, e insértelo en el extremo del mango. Enganche el lazo formado al doblar el cordón sobre la lengüeta. Ajuste suavemente el cordón para garantizar que esté sujeto firmemente en el mango de la sierra. Enchufe el extremo del receptáculo del cordón de extensión en el cordón de alimentación de corriente de la herramienta.



ADVERTENCIA: Asegúrese de que el cable de extensión es del tamaño y tipo apropiado para su sierra.

4. Sostenga la sierra con ambas manos, la mano izquierda sosteniendo la manija frontal (NO SOSTENGA EL CHAIN BRAKE®) y la mano derecha sosteniendo la manija trasera. El pulgar y los dedos deberán rodear ambas manijas (Fig. 6).



ADVERTENCIA: Asegúrese de que el cable de extensión no entre en contacto con la barra guía y la cadena de la sierra.

5. Con su pulgar derecho, oprima el botón de SEGURO / LIBRE (C) al lado de la manija trasera, y al mismo tiempo apriete el gatillo. Para detener la sierra, libere el gatillo (Fig. 7).

NOTA: No es necesario el mantener presión en el botón de SEGURO / LIBRE una vez que gatillo es apretado y el motor esta en marcha. El botón de SEGURO / LIBRE es un mecanismo de seguridad para prevenir el encendido accidental.

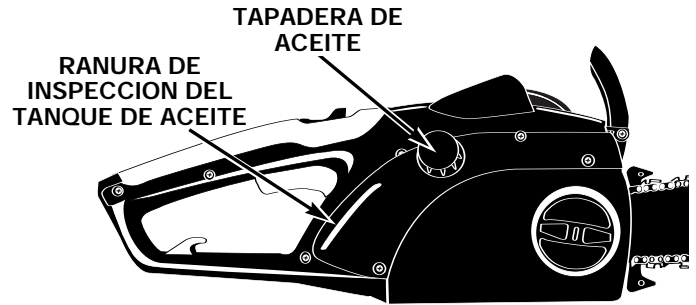


Fig. 3

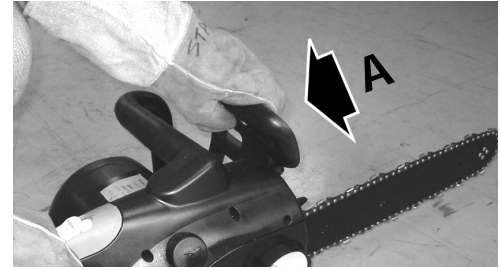


Fig. 4



Fig. 5



Fig. 6



Fig. 7

INSTRUCCIONES DE APAGADO

El motor de la sierra se detendrá automáticamente cuando el gatillo es liberado. El botón de SEGURO / LIBRE tendrá que estar oprimido y el gatillo apretado para rearrancar el motor.

INSTRUCCIONES DE OPERACION

TALADO

Talado es el termino que se da al cortar un árbol. Arboles pequeños hasta de 15-18cm (6-7 pulgadas) de diámetro son generalmente cortados en un solo corte. Arboles más grandes requieren de cortes de ranura. Cortes de ranura determinan la dirección en que el árbol caerá.



ADVERTENCIA: Un sendero de retirada (A) deberá de ser planeado y despejado como se necesite antes de que empiece los cortes. El sendero de retirada deberá extenderse hacia atrás y diagonalmente a la parte posterior de la línea de caída esperada, como se ilustra en la Fig. 8.



PRECAUCION: Si se tala un árbol en un terreno con pendiente, el operador de la sierra de cadena deberá mantenerse en la parte de arriba del terreno, debido a que el árbol tiende a rodar o deslizarse hacia abajo después de que es talado.

NOTA: La dirección de la caída (B) es controlada por el corte de ranura. Antes de que cualquier corte sea realizado, considere la localización de las ramas mas largas y la inclinación natural del árbol para determinar la forma en que caerá.

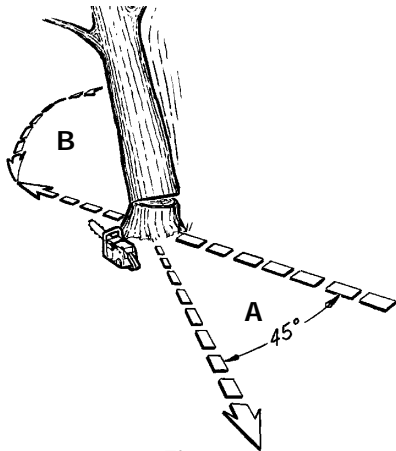


Fig. 8



ADVERTENCIA: No corte un árbol durante vientos rápidos o cambiantes o si hay peligro para una propiedad. Consulte a un profesional de árboles. No corte un árbol si hay peligro de que alambres de servicio sean golpeados; notifique a la compañía de servicio antes de hacer cualquier corte.

Normalmente el talado consiste en 2 operaciones de corte principales, haciendo la ranura (C) y realizando el corte de talado (D). Empiece haciendo el corte de ranura (C) superior en la parte del árbol apuntando a la dirección de caída (E). Asegúrese de no hacer el corte profundo dentro del tronco.

La ranura (C) deberá ser lo bastante profunda para crear una articulación (F) de suficiente anchura y fuerza. La ranura deberá ser lo suficiente ancha para dirigir la caída del árbol por el mayor tiempo posible.



ADVERTENCIA: Nunca camine en frente de un árbol que haya sido ranurado.

Realice el corte de talado (D) desde la otra parte del árbol y 3-5cm (1.5 - 2.0 pulgadas) arriba del borde de la ranura (C) (Fig. 9).

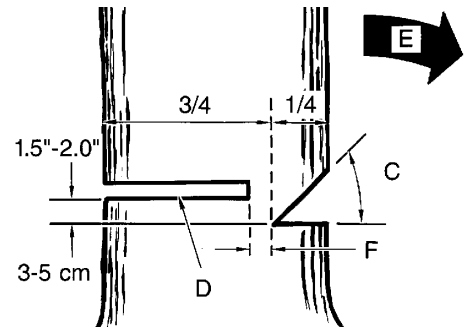


Fig. 9

Nunca corte completamente a través del tronco. Siempre deje una articulación. La articulación guía el árbol. Si el tronco es completamente cortado a través, se pierde el control sobre la dirección de la caída.



ADVERTENCIA: Antes de realizar el corte final, siempre revise el área de espectadores, animales u obstáculos.

Inserte una cuña o una barra de talado en el corte antes de que el árbol se vuelva inestable y empiece a moverse. Esto prevendrá que la barra guía se doble en el corte si usted juzga mal la dirección de la caída. Asegúrese de que ningún espectador haya entrado dentro del alcance del árbol antes de empujarlo.

CORTE DE TALADO:

1. Utilice cuñas de madera o plástico (G) para prevenir el doblamiento de la barra o cadena (H) en el corte. Las cuñas también controlan la caída (Fig. 10).
2. Cuando el diámetro de la madera es más grande que la longitud de la barra, realice 2 cortes como se muestra (Fig. 11).



ADVERTENCIA: Al tiempo que el corte de talado se acerca a la articulación, el árbol deberá de empezar a caer. Cuando el árbol empiece a caer, remueva la sierra del corte, apague el motor, ponga la sierra en el suelo, y abandone el área a lo largo del sendero de retirada (Fig. 8).

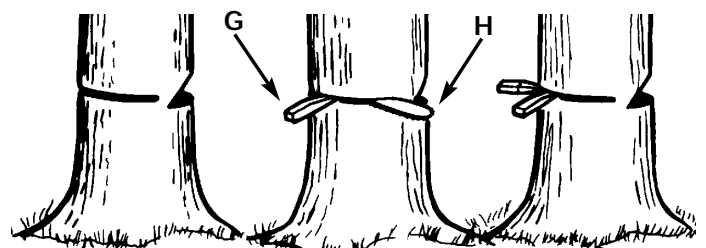


Fig. 10

INSTRUCCIONES DE OPERACION

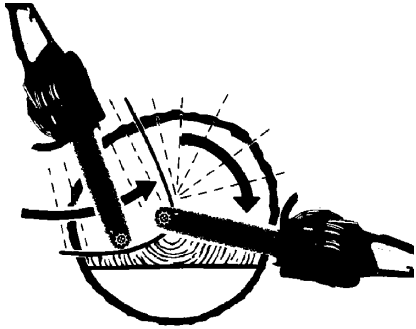


Fig. 11

DESRAMADO

El desramado es el proceso por el cual se remueven las ramas de un árbol caído. No remueva las ramas de soporte (A) hasta que el tronco es aserrado (cortado) en piezas (Fig. 12). Las ramas bajo tensión deberán ser cortadas desde abajo para evitar el doblado de la sierra-de-cadena.

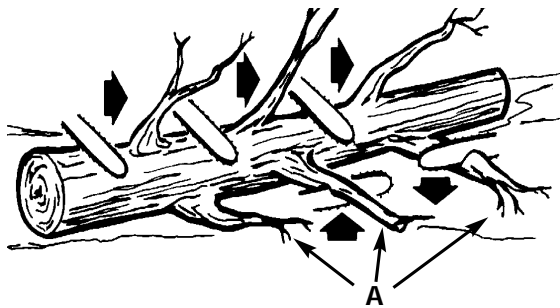


Fig. 12



ADVERTENCIA: Nunca corte las ramas del árbol mientras se encuentre parado sobre el tronco del árbol.

LEÑADO

Leñado es cortar un tronco caído en pedazos. Asegúrese de tener una buena base para los pies y pararse hacia arriba del tronco cuando corte en un terreno con pendiente. Si es posible, el tronco deberá ser apoyado de manera que el extremo que será cortado no repose en el suelo. Si el tronco está apoyado en los dos extremos y usted tiene que cortar en la mitad, realice un corte inclinado hasta la mitad dentro del tronco y luego realice el corte por abajo. Esto evitará que el tronco pellizque la barra y cadena. Tenga cuidado de que la cadena no corte dentro del suelo cuando leñe, esto causa un rápido desafilado de la cadena.

Cuando leñe en una pendiente, siempre parese en la parte de arriba.

1. Tronco apoyado a lo largo de toda la longitud: Corte desde arriba (leñar por arriba), siendo cuidadoso para evitar cortar dentro del suelo (Fig. 13).

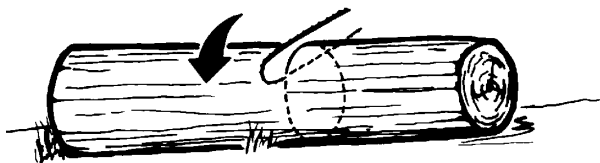


Fig. 13

2. Tronco apoyado en 1 extremo: Primero, corte desde abajo (leñar por abajo) 1/3 del diámetro del tronco para evitar astillamiento. Segundo, corte desde arriba (leñar por arriba) para encontrar el primer corte y evitar el pellizcado (Fig. 14).
3. Tronco apoyado en ambos extremos: Primero, Leñe por arriba 1/3 del diámetro del tronco para evitar astillamiento. Segundo, leñe por abajo para encontrar el primer corte y evitar el pellizcado (Fig. 15).

NOTA: La mejor manera de sostener un tronco mientras es leñado es usar un caballete de leñado. Cuando esto no es posible, el tronco deberá ser levantado y soportado por las ramas soporte o usando troncos de soporte. Asegúrese de que el tronco que está siendo cortado este seguramente soportado.

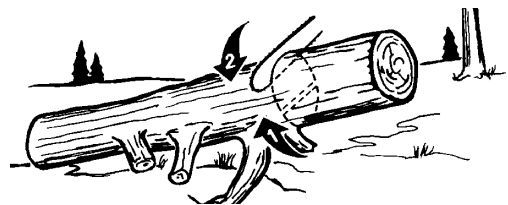


Fig. 14

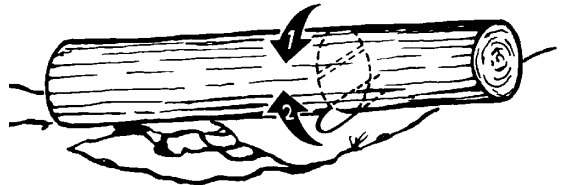


Fig. 15

LEÑADO USANDO UN CABALLETE PARA ASERRAR

Para seguridad personal y un cortado mas sencillo, la posición correcta para el leñado vertical es esencial (Fig. 16).

- A. Sostenga la sierra firmemente con ambas manos y mantenga la sierra a la derecha del cuerpo mientras esta cortando.
- B. Mantenga el brazo izquierdo lo más recto posible.
- C. Conserve su balance sobre ambos pies.



PRECAUCION: Mientras la sierra esta cortando, asegúrese que la barra y cadena estén siendo propiamente lubricadas.

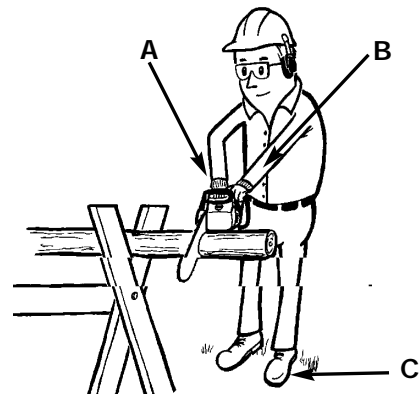


Fig. 16

INSTRUCCIONES DE MANTENIMIENTO Y REPARACION

PARA INSTALAR LA BARRA GUIA



PRECAUCION: Desconecte la sierra de cadena de source de la energía antes de comprobar o de ajustar la tensión de la sierra de la cadena.

Estas instrucciones describen la sustitución de una barra. La unidad está totalmente montada cuando se envía.

Nota: Lleve siempre guantes reforzados cuando manipule la cadena de la sierra.

1. Coloque la unidad de alimentación en una superficie plana.
2. Suelte un poco el pomo (B) en sentido contrario al de las agujas del reloj y luego gire el anillo de tensión de la cadena (C) en sentido contrario al de las agujas del reloj para quitar tensión en la cadena (Fig. 17).
3. Para extraer la tapa de la rueda dentada (A), gire el pomo (B) en sentido contrario al de las agujas del reloj. (Fig. 17)
4. Extraiga la cadena de la sierra de la barra guía y la rueda dentada. Saque la barra guía del equipo con la placa de tensión (D) fijada. (Fig. 18)
5. Extraiga el tornillo (C) de la placa de tensión (D) para quitarlo de la barra antigua y fijelo a la nueva barra. (Fig. 19)

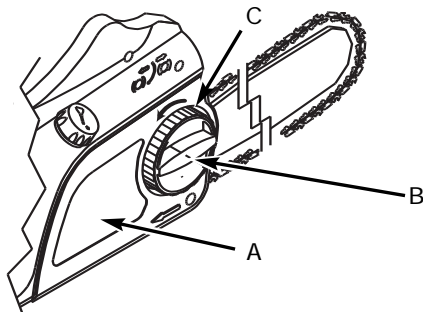


Fig. 17

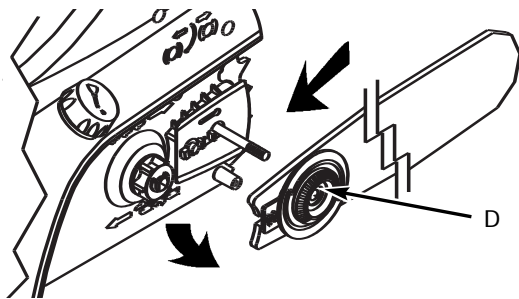


Fig. 18

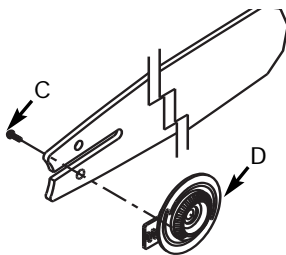


Fig. 19

PARA INSTALAR LA SIERRA DE LA CADENA



ADVERTENCIA: Siempre utilice guantes de trabajo pesado cuando maneje o haga ajustes en la cadena de la sierra.

1. Estire la cadena hacia afuera con los bordes de corte (E) de la cadena apuntados en la DIRECCIÓN DE ROTACIÓN (Fig.20).
2. Para instalar los eslabones de cadena en la ranura de la barra guía, gire la placa de tensión (D) en sentido contrario al de las agujas del reloj hasta el final. Instale la cadena y la barra en la unidad de alimentación, gire la placa de tensión (D) en el sentido de las agujas del reloj y coloque la tapa lateral (A) (Fig. 21).
3. Gire el pomo en el sentido de las agujas del reloj, ajuste el anillo de tensión de la cadena (F) y apriete el pomo. Consulte la sección Ajuste de la tensión de la cadena de la sierra P14.
4. Después de haber operado la sierra de cadena durante aproximadamente 1 hora, vuelva a ajustar la tensión de la cadena. En caso necesario, siga las instrucciones para ajustar la tensión que aparecen en la sección que viene a continuación.

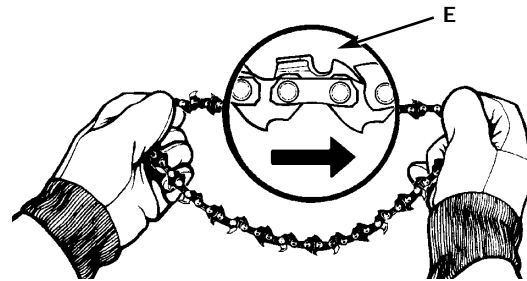


Fig. 20

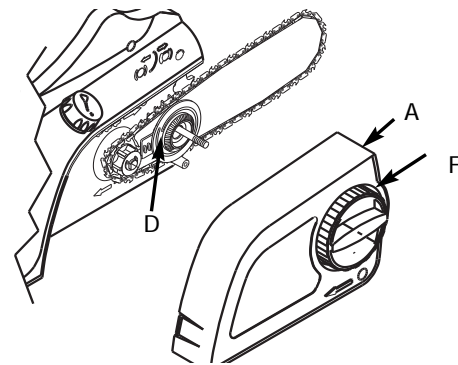


Fig. 21

INSTRUCCIONES DE ENSAMBLE

AJUSTES DE TENSION DE LA CADENA DE LA SIERRA



ADVERTENCIA: Siempre utilice guantes de trabajo pesado cuando maneje o haga ajustes en la cadena de la sierra.

Una tensión propia de la cadena de la sierra es extremadamente importante y debe de ser revisada antes de arrancar, al igual que durante cualquier operación de corte.

El tomar tiempo para hacer los ajustes necesarios para la cadena de la sierra resultara en un mejor rendimiento. Para ajustar la cadena del la sierra:

NOTA: Una cadena y barra nueva requerirán un reajuste después de por lo menos 5 cortes. Esto es normal dentro del periodo de acondicionamiento, y el intervalo dentro de los próximos ajustes se alagará pronto (Fig. 22).



PRECAUCION: Si la cadena de la sierra se encuentra MUY SUELTA o MUY APRETADA, la rueda dentada, barra, cadena y los rodamientos de el cigüeñal se desgastaran mas rápidamente. Estudie la Fig. 22 para información respecto a la tensión fría correcta (A), tensión caliente correcta (B), y como una guía para cuando la cadena de la sierra requiera algún ajuste (C).



Fig. 23

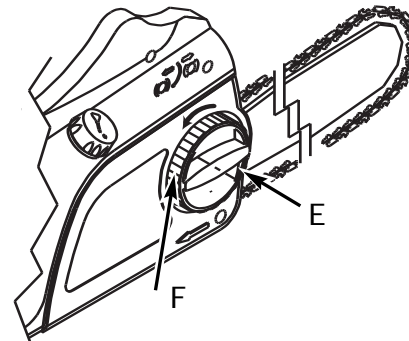


Fig. 24

AJUSTE DE LA CADENA DE LA SIERRA:

NOTA: Asegúrese de que el Chain Brake® se encuentre desactivado.

Desactive el Chain Brake® (D) jalándolo hacia atrás (Fig. 23).

1. Se puede ajustar la tensión de la cadena con relativa facilidad. Gire la manija del cerrojo de la barra (E) en sentido antihorario. Después gire el anillo (F) en sentido antihorario para aflojar la cadena o en sentido horario para apretarla (Fig. 24).

2. Después del ajuste y mientras tiene puestos los guantes de trabajo pesado, mueva la cadena de la sierra hacia adelante y hacia atrás en la barra guía para asegurarse de que la cadena se mueve libremente y está propiamente encajada con el piñón.

NOTA: Si es difícil hacer girar la cadena o si se traba en la barra de guía, se ha aplicado demasiada tensión y debe ajustarse como se describió en el paso 1.

3. Mientras ajusta la tensión de la cadena, sostenga la punta de la barra hacia arriba y entonces apriete la manija del cerrojo de la barra (E).

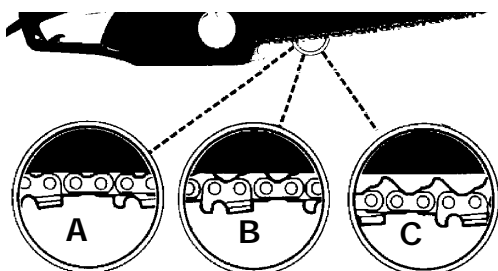


Fig. 22

INSTRUCCIONES DE MANTENIMIENTO Y REPARACION

LUBRICACION DE LA BARRA Y CADENA DE LA SIERRA

Una lubricación adecuada de la sierra de cadena durante las operaciones de cortado es esencial para minimizar la fricción con la barra guía.

Su sierra esta equipada con un sistema de aceitador automático provee la cantidad apropiada de aceite a la barra y cadena. NO tiene un ajuste de flujo.

El nivel de tanque de aceite puede ser revisado en la ranura de inspección (D) proveida en el lado derecho de la sierra. El tanque esta lleno cuando el aceite se encuentra en la parte superior de la ranura (Fig. 25).



Fig. 25



PRECAUCION: Nunca deje que le falte aceite de lubricación a la barra y cadena. Comiendo una sierra SECA o con MUY POCO ACEITE reducirá la eficiencia en el cortado, acortar la vida de su sierra, causando un desafilado rápido de la cadena y un desgaste excesivo de la barra por sobre calentamiento. Muy poco aceite es detectado por humo o decoloración de la barra.

NOTA: La cadena de la sierra se alarga durante el uso, particularmente cuando es nueva, y un ajuste ocasional será necesario. Una cadena nueva requiere mas frecuentemente cuando de un ajuste durante el periodo de acondicionamiento. Esto es normal. Siga las instrucciones en la Sección *Ajustes de la Tensión de la Cadena de la Sierra.*



ADVERTENCIA: Una cadena suelta puede saltarse de la barra mientras usted esta cortando, lo mismo que desgastar la barra y cadena. Una cadena muy apretada puede dañar la sierra. En cualquier situación, una cadena muy suelta o muy apretada, puede resultar en serias lesiones personales.

CHAIN BRAKE® / GUARDAMANOS

Esta sierra de cadena está equipada con freno de cadena/protector de mano.

El Guardamanos también protege su mano izquierda en el evento de que se resbale de la manija delantera.

El Chain Brake® es un mecanismo de seguridad el cual es activado si se aplica presión contra la manija o cuando, en el evento de un contragolpe, la mano del operador golpea la palanca. Cuando el Chain Brake® es activado, el movimiento de la cadena se detiene abruptamente y la fuente de poder del motor es cortada inmediatamente.

El propósito del Chain Brake® es el de reducir la posibilidad de una lesión debida a un contragolpe. El Chain Brake® de cualquier manera, no puede proveer la cantidad de protección si la sierra es operada sin precaución. El Chain Brake® es un mecanismo de seguridad el cual es activado si se aplica presión contra la manija o cuando, en el evento de un contragolpe, la mano del operador golpea la palanca. Cuando el Chain Brake® es activado, el movimiento de la cadena se detiene abruptamente y la fuente de poder del motor es cortada inmediatamente.

El Chain Brake® esta desactivado (la cadena se puede moverse) cuando el freno es jalado hacia atrás y asegurado. Esta es la posición de operación normal (Fig. 26).



Fig. 26

El Chain Brake® está activado (la cadena no puede moverse) cuando la manija del freno se encuentra en una posición hacia adelante (Fig. 27).

NOTA: El motor no encenderá si el Chain Brake® está en la posición de activado.



Fig. 27



PRECAUCION: Durante la operación normal, el Chain Brake® no deberá ser usado para el arranque o apagado de la sierra.

INSTRUCCIONES DE MANTENIMIENTO Y REPARACION

PRUEBA DEL CHAIN BRAKE®

Antes de cortar con su sierra, el Chain Brake® deberá ser probado como sigue:

- Asegúrese de que el Chain Brake® se encuentre desactivado (Fig. 26).
- Coloque la sierra en una superficie firme, plana, seca que este libre de cualquier escombros. No deje que la cadena de la sierra entre en contacto con cualquier objeto.
- Conecte la unidad a la fuente de poder.
- Agarre la manija frontal (no la palanca de el Chain Brake® / Guardamanos) con su mano izquierda. El pulgar y los dedos deberán rodear la manija.
- Agarre la manija trasera. El pulgar y los dedos deberán rodear la manija.
- Oprima el botón de SEGURO / LIBRE con su pulgar derecho. Apriete el gatillo con su dedo índice (Fig. 7).
- Mientras el motor está en marcha, active el Chain Brake® moviendo su mano izquierda hacia adelante contra la manija.
- La cadena y el motor deberan detenerse abruptamente.



ADVERTENCIA: Si el motor y la cadena fallan al detenerse cuando el Chain Brake® es activado, lleve su sierra a su Centro de Servicio Autorizado. No utilice su sierra si el Chain Brake® no esta funcionando apropiadamente.

CABLES DE EXTENSION

Cuando utilice una sierra de cadena eléctrica, conéctela con el cable de extensión solamente cuando esté listo para cortar madera. Conecte la extensión a un tomacorriente de 110/120 voltios. Siga las instrucciones en la Sección *Advertencias de Seguridad Eléctrica*.



PRECAUCION: Un cable que se siente caliente al contacto está sobrecargado.



ADVERTENCIA: No opere su sierra de cadena en ambientes mojados. No exponga su sierra a la lluvia, nieve o aguanieve. El vapor causara cortos circuitos. Reemplácelo o repare cualquier daño o cables de extensión desgastados antes de utilizar su sierra. Mantenga el cable alejado del área de corte y coloque el cable de manera que no quedé atorado con ramus u otros objetos durante el cortado.

AISLACION DOBLE

AL DAR MANTENIMIENTO, USE PIEZAS DE REPUESTO IDÉNTICAS.

Información

No utilice el cable o lo conecte si está dañado. Su aparato esta doblemente aislado para ayudar a proteger contra un choque eléctrico. Una construcción de aislación doble consiste en dos hileras separadas de aislación eléctrica.

Aparatos construidos con este sistema de aislación no son diseñados para hacer tierra. Como resultado, el cable de extensión utilizado para su aparato puede ser enchufado a cualquier tomacorriente convencional de 120 voltios.



ADVERTENCIA: Su aparato de aislación doble no tiene partes de servicio para el usuario adentro de la sierra. No intente repararlo usted mismo. Para información de servicio, contacte el Departamento de Servicio del Producto al número 1-800-668-1238.

En este aparato de aislado doble, 2 sistemas de aislamiento, en lugar de una conexión de tierra, son proveidos. El que no halla conexión de tierra significa que es proveido en un aparato con doble aislamiento, no que una conexión de tierra deberá ser adherida al aparato. No se encuentran partes de servicio para el usuario adentro de la sierra. Un aparato con doble aislamiento es marcado con las siguientes palabras, "AISLAMIENTO DOBLE" o "DOBLEMENTE AISLADO". El simbolo (cuadro dentro de un cuadro) también podrá ser marcado en el aparato.

Mantenimiento

1. Ponga el interruptor en la posición de APAGADO y desconecte la fuente de poder antes de que el aparato tenga servicio, limpiado, o mantenimiento es realizado.
2. Mantenga la toma de aire limpia y los orificios de ventilación libres de escombros para prevenir el sobre calentamiento del motor.
3. Limpie con una esponja y poco jabón. No la rocíe con una manguera de agua o moje con agua u otros líquidos.
4. Inspeccione la cadena de la sierra para una tensión propia antes de cada uso y frecuentemente durante el cortado. Afiela como se requiera.
5. Limpie la barra guía y el cojín de la barra para asegurarse de que el sendero se encuentre libre para aceite.
6. No es necesaria la lubricación del motor. El motor esta equipado con engranes lubricados de por vida.
7. Si la sierra no opera, coloque el interruptor en la posición de APAGADO y desconecte el cable de extensión, primero de la fuente de poder, después de la sierra. Inspeccione la fuente de poder de fusibles quemados o interruptores automáticos sueltos. Si sigue sin operar, contacte el Departamento de Servicio del Producto, a través del número 1-800-668-1238. No intente repararla usted mismo. No se encuentran partes de servicio para el usuario adentro de la sierra.

INSTRUCCIONES DE MANTENIMIENTO Y REPARACION

MANTENIMIENTO DE LA BARRA GUIA

Una lubricación frecuente de la rueda dentada de la barra guía (barra de rieles que soporta la sierra-de-cadena) es requerida. El mantenimiento propio de la barra guía, como se explica en esta sección, es esencial para mantener su sierra en buenas condiciones de trabajo.



ADVERTENCIA: Asegúrese de que los cables de poder estén desconectados antes de realizar cualquier mantenimiento en su sierra.

Erramientas Para la Lubricación



PRECAUCION: La falta de lubricar la rueda dentada de la barra guía como se explica abajo resultará en una baja eficiencia y daño, anulando la garantía del fabricante. La punta de la rueda dentada de su nueva sierra ha sido previamente lubricada en la fábrica. Se recomienda que siempre se lubrique la punta de la catalina después de usar la sierra. Siempre limpie completamente la rueda dentada de la barra guía antes de lubricarla.

La Lube Gun (pistola de lubricación- opcional) es recomendada para la aplicación de grasa para la rueda dentada de la barra guía. La Lube Gun esta equipada con una nariz de punta de aguja la cual es necesaria para la eficiente aplicación de grasa a la rueda dentada.

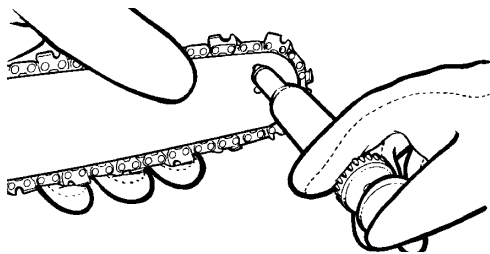


Fig. 28

1. Desenchufe la sierra de cadena del tomacorriente.

NOTA: No es necesario que remueva la cadena para lubricar la guía de la rueda dentada de la barra. La lubricación puede ser hecha en el trabajo.

2. Limpie la guía de la rueda dentada de la barra.
3. Utilizando la Lube Gun (opcional), inserte la punta de aguja dentro del agujero de lubricación e inyecte grasa hasta que aparezca fuera del borde de la rueda dentada (Fig. 28).



ADVERTENCIA: Siempre utilice guantes de trabajo pesado cuando maneje o haga ajustes en la cadena de la sierra.

4. Gire la cadena de la barra con la mano. Repita los procedimientos de lubricación hasta que toda la rueda dentada haya sido engrasada.

Mantenimiento

La mayoría de los problemas de la barra guía pueden ser prevenidos simplemente manteniendo bien la sierra-de-cadena. El afilado incorrecto y los ajustes no uniformes de la hoja de corte y del espacio de profundidad provocan casi todos los problemas de la barra de guía, resultando principalmente en un desgaste desigual de la barra. A medida que la barra se desgasta sin uniformidad, los rieles se anchan, lo cual pudiera causar ruido de la cadena y dificultar el hacer cortes en línea recta.

Una insuficiente lubricación de la barra guía y operación de la sierra con la cadena DEMASIADO APRETADA contribuirá a un desgaste rapido de la barra. Para ayudar a minimizar el desgaste de la barra, los siguientes procedimientos de mantenimiento para la barra guía son recomendados.

DESGASTE DE LA BARRA - Dé vuelta a la barra guía frecuentemente a intervalos regulares (por ejemplo, después de cada 5 horas de uso), para asegurarse de un desgaste parejo en la parte superior e inferior de la barra.

RANURAS DE LA BARRA - Las ranuras de la barra (o rieles que soportan y conducen la cadena) deberán ser limpiados si la sierra ha sido utilizada para servicio pesado o si la sierra manifiesta suciedad. Los rieles deben de ser limpiados cada vez que la cadena es removida.

PASAJES DE ACEITE - Los pasajes de aceite sobre la barra deben de ser limpiados, para asegurar una lubricación propia de la barra y cadena durante la operación.

NOTA: La condición de los pasajes de aceite puede ser fácilmente revisada. Si los pasajes están limpios, la sierra automáticamente dará una rociada de aceite dentro de los primeros segundos de arrancada la sierra. Su sierra esta equipada con un sistema de aceite automático.

Para Limpiar los Rieles de la Barra:

1. Extraiga la tapa de la rueda dentada, la barra y la cadena. Consulte la sección Instalación de la barra guía/cadena de la sierra.
2. Utilizando un desarmador, navaja, cepillo de alambre o cualquier otro instrumento similar, limpie residuos de los rieles de la barra guía. Esto mantendrá los pasajes abiertos para proveer una lubricación adecuada a la barra y cadena (Fig. 29).
3. Reinstale la barra, cadena, cubierta del piñón y las tuercas retenedoras de la barra. Siga las instrucciones en la Sección *Para Instalar la Barra Guía y la Sierra de la Cadena*.

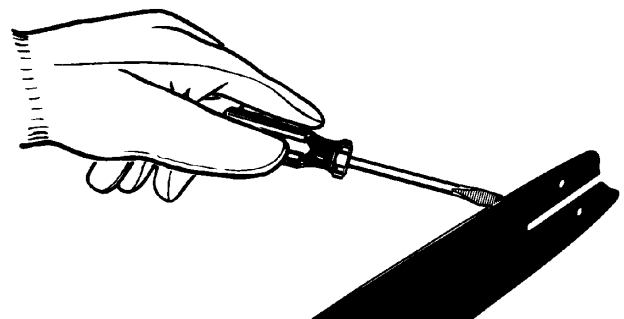


Fig. 29

INSTRUCCIONES DE MANTENIMIENTO Y REPARACION

MANTENIMIENTO DE LA CADENA



ADVERTENCIA: A menos de que usted tenga experiencia y entrenamiento especializado para tratar con el contragolpe (vea las Precauciones de Seguridad), siempre utilice una cadena para sierra de contragolpe bajo, la cual reduce significativamente el peligro de un contragolpe. Una cadena de contragolpe bajo o "cadena de precaución" nunca deberá ser referida como protección total contra una lesión.

Siempre utilice cadenas para sierras de reemplazo designadas como "contragolpe bajo" o una cadena para sierra que reúna los requisitos de rendimiento del contragolpe de la ANSI (Instituto Nacional Americano de Normas).

Una cadena para sierra convencional (una cadena que no tiene los eslabones de resguardo para reducir el contragolpe) solamente deberá ser utilizado por un operador de sierras de cadena profesional experimentado.

¿Que es una Cadena de Contragolpe Bajo?

Una cadena de contragolpe bajo es una cadena la cual ha cumplido los requerimientos de rendimiento del contragolpe de la ANSI B175.1.

Mediante el mantenimiento del Chain Brake® y la cadena de la sierra en buenas condiciones de trabajo y dándole servicio correctamente como se recomienda en este manual, usted podrá mantener el sistema de precaución de su sierra mas allá de la vida del producto.

Tension de la Cadena

Inspeccione la tensión de la cadena frecuentemente y ajústela tan seguido como se necesite para mantener la cadena adecuadamente ajustada en la barra, pero lo suficientemente suelta para ser jalada con la mano.

Pausado en Una Cadena de la Sierra Nueva

Una barra y cadena nueva requeriran un reajuste aproximadamente a los 5 cortes. Esto es normal dentro del periodo de pausado, y los intervalos dentro de los próximos ajustes se alargaran rápidamente.

Sobre un periodo de tiempo, de cualquier manera, las partes movibles de la sierra se gastarán, dando como resultado lo que es llamado ALARGAMIENTO DE LA CADENA. Esto es normal. Cuando no es posible obtener el ajuste de tensión correcto, un eslabón tendrá que ser removida para acortar la cadena. Vea a su Centro de Servicio Autorizado. Contacte el Departamento de Servicio del Producto al número 1-800-668-1238.



ADVERTENCIA: Nunca tenga mas de 3 eslabones removidos del lazo de la cadena. Esto causara daño a la rueda dentada.

Lubricación de la Cadena

Siempre asegúrese de que el sistema de aceite automático esté funcionando propiamente. Mantenga el tanque de aceite lleno con aceite para rueda dentada.

Una lubricación adecuada de la barra y cadena durante las operaciones de corte es esencial para minimizar la fricción con la barra guía.

Nunca deje que le falte aceite de lubricación a la barra y cadena. El correr una sierra seca o con muy poco aceite reducirá la eficiencia en el cortado, acortará la vida de la cadena de la sierra, causará un desafilado rápido y conducirá a un desgaste extensivo de la barra por sobrecalentamiento. Muy poco aceite es detectado por humo o decoloración de la barra.

Afilado de la Cadena

El afilado de la cadena requiere de herramientas especiales para asegurar que los dientes de cortado sean afilados con el ángulo y profundidad correcta. Para el usuario inexperto de sierra de cadena, nosotros recomendamos que la sierra sea profesionalmente afilada por su Centro de Servicio Autorizado mas cercano. Si usted se siente agusto afilando su propia cadena de la sierra, herramientas especiales de su distribuidor estan disponibles.



ADVERTENCIA: Nunca remueva, modifique o haga inoperativo cualquier mecanismo de seguridad construido en su unidad. El Chain Brake® / Guardamanos y la cadena de contragolpe bajo son los mayores aspectos de seguridad proveisos para us protección.

INFORMACIÓN SOBRE EL REEMPLAZO DE LA CADENA

Puede haber otra calidad los componentes equivalentes del reemplazo para lograr la protección de comisión confidencial.

Barra de Longitud	La compañía Traba	#
16"	55 DL	49M1655P753

RESOLUCION DE PROBLEMAS

EL MOTOR NO ARRANCA

CAUSA

El motor se detiene, o la unidad está desenchufada tomacorriente

ACCION

Revise el cable para Over si está enchufado a un

Si necesita asistencia adicional, comuníquese con su proveedor de servicio autorizado.

Para más información,

En la llamada de Canadá :1-800-668-1238 , En llamada de los E.E.U.U. :1-866-747-9816.

ESPECIFICACIONES

ITENSIDAD MAXIMA DE CABALLOS DE FUERZA..... 3.5
PESOS (LIBRES) CON BARRA Y CADENA9,7 (MTD1416NT)

OTORS MECANISMO:

CHAIN BRAKE® / Guardamanos

Doblemente Aislada

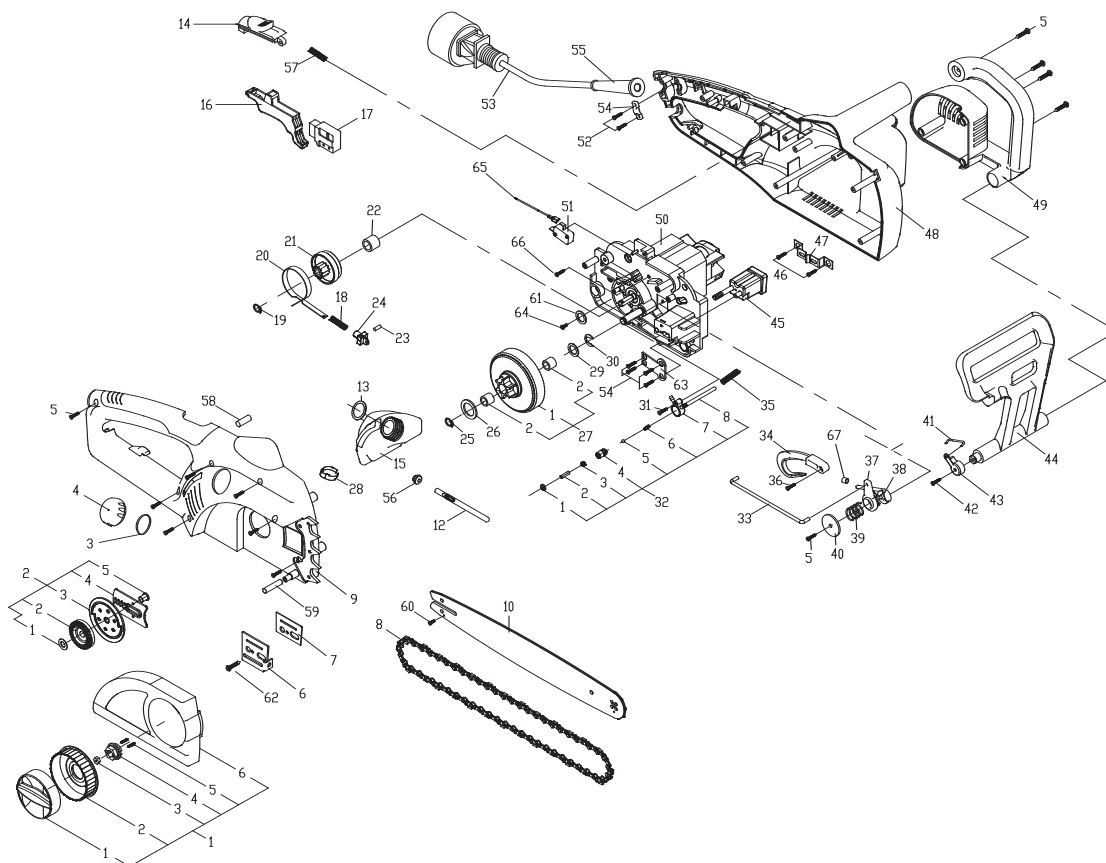
Guardamanos Derecho

CSA-c-us-Mencionado

Gatillo Seguro / Libre

Enganche de la Cadena

PARTS LIST



No.	Pieza N .	Descripci n	No.	Pieza N .	Descripci n
1	6228-211403	CUBIERTA (R)	35	6024-211507	MUELLE
2	6228-211504	CUBIERTA DE CADENA ASS'Y	36	6SQABB04-20	TORNILLO
3	6012-210501	ARANDELA	37	6181-211501	EMBRAGUE
4	6017-210103	CUBIERTA DE ACEITE	38	6181-211502	EMBRAGUE
5	6SDABB04-18	TORNILLO	39	6024-211503	MUELLE
6	6043-211302	PLACA DE AJUSTE	40	6014-211501	ARANDELA
7	6050-211301	ARANDELA DEL ACEITE	41	6154-211301	BARRA QUE CONECTA
8	6220-210201	CADENA	42	6SQABB4.5-30	TORNILLO
9	6038-211505	CUBIERTA (R)	43	6154-211504	CONECTADOR
10	9040-3101124	BARRA	44	6017-211503	PROTECTOR DE FRONT-HAND
12	6228-211506	ARANDELA DEL ACEITE	45	6228-211303	ASS'Y FIJO
13	6076-210503	ARANDELA	46	6SDABB04-16	TORNILLO
14	6056-211502	CAMBIE EL BONT N	47	6079-211503	MUELLE
15	6066-211501	TANQUE DE ACEITE	48	6038-211506	CUBIERTA (L)
16	6028-211502	DISPARADOR	49	6086-211501	CUBIERTA VERDADERA
17	6022-211502	INTERRUPTOR	50	6228-211301	CAJA DE ENGRANAJES DEL
18	6024-211301	MUELLE			MOTOR ASS'Y
19	6CY-08	ANILLO	51	6022-211501	INTERRUPTOR
20	6079-211501	RESORTE, FRENO	52	6SDABB04-10	TORNILLO
21	6073-211501	ENGRANAJE	53	6011-211502	CABLE EK CTRICO
22	6059-210201	CUBIERTA DEL AJUSTE	54	6043-840001	RETENDOR DE CABLE
23	6115-211502	CLAVIJA	55	6059-855001	PROTECTOR DE LA CUERDA
24	6154-211502	CONEXI N	56	6012-211501	PARAD DE GOMA
25	6CG-9.5	ANILLO De C	57	6024-211506	MUELLE
26	6014-210502	ARANDELA	58	6PC05-14.7	CLAVIJA
27	6228-210104	COJINETE ASS'Y DEL ENGRANAJE	59	6PC4.4-35	CLAVIJA
28	6077-211501	CUBIERTA	60	6SQAB-04-06	TORNILLO
29	6057-210102	ARANDELA	61	6WFB-03-12	ARANDELA
30	6CC-10	ANILLO De C	62	6SDABB03-15	TORNILLO
31	6SDABB03-18	TORNILLO	63	6158-211502	PLACA
32	6228-210105	BOMBA ASS'Y DEL ACEITE	64	6SLABB03-06	TORNILLO
33	6188-211501	TIRE DE LA BARRA	65	6010-211301	ALAMBRE
34	6114-211501	TIRE DE LA BLATE	66	6SDABB04-14	TORNILLO
			67	6124-TH0101	MANGA

GARANTÍA LIMITADA DEL FABRICANTE PARA:



MTD LLC concede la garantía limitada establecida debajo para mercancías nuevas que sean compradas y usadas en los Estados Unidos, sus posesiones y territorios.

MTD LLC garantiza este producto contra defectos en el material y la mano de obra durante un período de dos (2) años, a partir de la fecha de compra original y a su entera discreción, arreglará o substituirá sin costo alguno cualquier pieza cuyo material o mano de obra se considere defectuoso. Esta garantía limitada se deberá aplicar únicamente si este producto ha sido manejado y mantenido de acuerdo al Manual del Operario incluido con el producto y, si no ha sido sometido a mal uso, abuso, uso comercial, negligencia, accidente, mantenimiento inapropiado, alteración, vandalismo, hurto, fuego, agua o daños debidos a otros riesgos o desastre natural. Los daños ocasionados por la instalación o el uso de cualquier accesorio o aditamento que no esté aprobado por MTD y que sea usado con el (los) producto(s) contemplados en este manual, anularán la garantía con respecto a cualquier daño resultante. Esta garantía está limitada a noventa (90) días a partir de la fecha de compra original al detalle de cualquier producto MTD que se use para alquiler, para propósitos comerciales o cualquier otro propósito que genere ingresos.

CÓMO OBTENER SERVICIO: El servicio de garantía se encuentra disponible A TRAVÉS DE SU DISTRIBUIDOR LOCAL AUTORIZADO, AL PRESENTAR UN COMPROBANTE DE COMPRA. Para ubicar al distribuidor de su área, por favor consulte las Páginas Amarillas o contacte al Departamento de Servicio al Consumidor de MTD LLC llame al 1-866-747-9816 o, escriba a P.O. Box 361131, Cleveland OH 44136-0019. Si está en Canadá, llame al 1-800-668-1238. No se aceptará ningún producto que sea enviado directamente a la fábrica, a menos que haya recibido autorización previa por escrito por parte del Departamento de Servicio al Consumidor de MTD LLC.

Esta garantía limitada no ofrece cobertura en los siguientes casos:

- A. Cuchilla
- B. MTD no le ofrece ninguna garantía a los productos que sean vendidos o exportados fuera de los Estados Unidos de América, sus posesiones y territorios, excepto aquellos que se vendan a través de los canales de distribución para exportación autorizados por MTD.

MTD se reserva el derecho a cambiar o mejorar el diseño de cualquier producto MTD, sin adoptar ninguna obligación para modificar cualquier producto fabricado con anterioridad.

Ninguna garantía implícita es aplicable después del período de aplicabilidad de la garantía expresa escrita con anterioridad, incluyendo cualquier garantía implícita de comerciabilidad o idoneidad para un propósito particular con respecto a las piezas identificadas. Exceptuando lo mencionado anteriormente, ninguna otra garantía expresa bien sea escrita o verbal con respecto a cualquier producto que sea concedida por cualquier persona o entidad, incluyendo al distribuidor o minorista, deberá comprometer a MTD LLC durante el período de la Garantía, el remedio exclusivo es el arreglo o la sustitución del producto según lo establecido anteriormente. (Algunos estados no permiten limitaciones en cuanto al período de duración de una garantía implícita, de manera que puede que la limitación anterior no sea aplicable en su caso.)

Las estipulaciones establecidas en esta Garantía ofrecen la solución única y exclusiva que resulte de las ventas. MTD no deberá ser responsable de pérdidas o daños incidentales o consecuentes que incluyan, sin limitación, gastos incurridos debido a la sustitución de servicios de mantenimiento de prados, transporte o gastos relacionados, o gastos de alquiler para reemplazar temporalmente un producto bajo garantía. (Algunos estados no permiten limitaciones en cuanto al período de duración de una garantía implícita, de manera que puede que la limitación anterior no sea aplicable en su caso.)

Ningún tipo de recuperación deberá ser superior al precio de compra del producto vendido, en ningún caso. La alteración de las características de seguridad del producto deberá anular esta Garantía. Usted adopta el riesgo y la obligación de la pérdida, daño o lesión en su persona o a su propiedad y/o la de otras personas y sus propiedades, que se origine a raíz del uso o mal uso, o la incompetencia para usar el producto.

Esta garantía limitada no deberá cubrir a ninguna otra persona distinta al comprador original, arrendatario original, o la persona para la cual se compró en calidad de regalo.

Relación de las leyes estatales con esta Garantía: Esta garantía le confiere derechos legales específicos, y puede que usted también tenga otros derechos, los cuales varían en cada estado.

Para ubicar a su distribuidor de servicio más cercano, llame al 1-866-747-9816 en los Estados Unidos o al 1-800-668-1238 en Canadá.

MTD LLC
PO Box 361131
Cleveland, OH 44136-0019

YARD MACHINES

by **MTD** 



For problems or questions, DO NOT return this product to the store. Contact your Customer Service Agent.

En cas de problèmes ou pour des questions, NE PAS retourner ce produit au point de vente. S'adresser au préposé du Service à la clientèle en composant.

Para problemas o preguntas, NO devolver este producto a la tienda. Contacte a su Agente de Servicio al Cliente.

U.S.A. Imported by:
MTD LLC
P.O. Box 361131
Cleveland, OH 44136-0019

Canada Imported by / Importé par:
MTD PRODUCTS LIMITED
97 Kent Avenue
Kitchener, ON
CANADA N2G 4J1

**For Consumer Assistance Please Call
L'Aide Du Consommateur Necessitez S'il Vous Plait
Para La Ayuda Del Consumidor Llame Por Favor**



**U.S.A. 1-866-747-9816
CANADA 1-800-668-1238**

Made in China / Fabriqué à China / Hecho en China

Free Manuals Download Website

<http://myh66.com>

<http://usermanuals.us>

<http://www.somanuals.com>

<http://www.4manuals.cc>

<http://www.manual-lib.com>

<http://www.404manual.com>

<http://www.luxmanual.com>

<http://aubethermostatmanual.com>

Golf course search by state

<http://golfingnear.com>

Email search by domain

<http://emailbydomain.com>

Auto manuals search

<http://auto.somanuals.com>

TV manuals search

<http://tv.somanuals.com>