

# OWNER'S GUIDE

Model Nos.  
111-890-033, 111-892-033  
111-894-033, 111-900-033  
and 111-902-033

10 CENTS

## ROTARY MOWER

### WARRANTY

For one year from date of purchase, MTD Products, Inc., will replace for the original purchaser, free of charge, F.O.B. factory or authorized service firm, any part or parts found to be defective in material or workmanship. All transportation charges on parts submitted for replacement under this warranty must be paid by the purchaser. This warranty does not include replacement of parts which become inoperative through misuse, excessive use, accident, neglect, improper maintenance or alterations by unauthorized persons. This warranty does not include the engine, motor, battery, battery charger or any component parts thereof. For service on these units refer to the applicable manufacturer's warranty.

The above warranty will apply only to the original owner and will be effective only if the warranty card has been properly processed. It will not apply where the unit has been used commercially.

Warranty service is available through your local authorized service dealer or distributor. UNDER NO CIRCUMSTANCES WILL THE RETURN OF A COMPLETE UNIT BE ACCEPTED BY THE FACTORY UNLESS PRIOR WRITTEN PERMISSION HAS BEEN EXTENDED.

### SAFETY RULES

Your rotary mower is a precision piece of power equipment, not a plaything. Therefore exercise extreme caution at all times.

1. Remove all sticks, stones, wire and other hazardous items from lawn before mowing. Such items are dangerous to both the mower and individuals in the vicinity of the mower.
2. Always disconnect spark plug cable during repairs or refueling operations.
3. Always start engine from side opposite discharge chute.
4. NEVER place hands or feet under mower or near discharge chute while engine is running.
5. Do not tilt mower at extreme angle while engine is running. Cut grass on hills and banks sideways, not up and down.
6. Always stop engine when not cutting grass.
7. Do not fill gas tank while engine is running. Do not spill gasoline on hot engine.
8. Keep children and pets away from area at all times during mowing operation. Never allow mower to discharge grass toward any person.
9. Do not attempt to start engine while mower is resting in high grass.
10. Check all nuts and bolts, particularly the blade bolts, for tightness. This is especially important during the initial operation period. Make this same check periodically thereafter.
11. While operating the mower, if any foreign object is struck, stop the mower and inspect for damage. Do not restart or operate the mower until all damage has been repaired.

**WARNING:** Should excessive vibration develop, check your blade and crankshaft immediately. Do not operate mower with an unbalanced blade, a damaged blade or a damaged crankshaft.

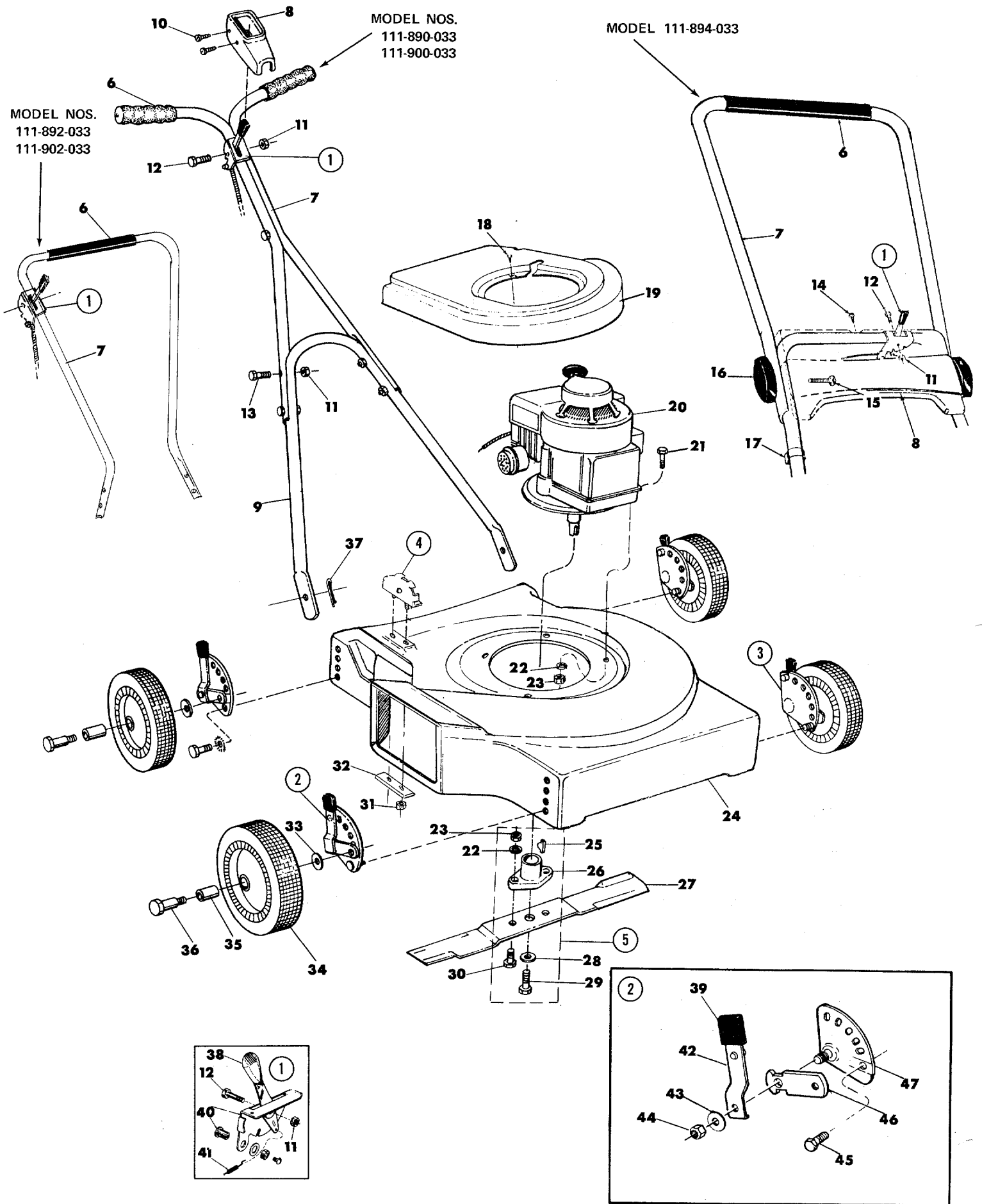
MTD PRODUCTS INC • 5389 WEST 130th ST. • P.O. BOX 2741 • CLEVELAND, OHIO 44111

FORM NO. 770-3173A

MODEL NOS.  
111-890-033  
111-900-033

MODEL 111-894-033

MODEL NOS.  
111-892-033  
111-902-033



**PARTS LIST FOR MOWER MODELS 111-890-033, 111-892-033,  
111-894-033, 111-900-033 and 111-902-033**

*catcher  
190-086-000*

Ref. No.	Part No. 111-890-033	Part No. 111-892-033	Part No. 111-894-033	Part No. 111-900-033	Part No. 111-902-033	DESCRIPTION
1	310-10029	310-8842	310-10033	310-10029	310-8842	Throttle Control - Complete
2	NONE	310-10414	310-10414	NONE	310-10414	Height Adjuster - Complete - R.H.
3	NONE	310-10415	310-10415	NONE	310-10415	Height Adjuster - Complete - L.H.
4	310-8388	310-8388	310-8388	310-8388	310-8388	Handle Mount Bracket - R.H.
	310-8389	310-8389	310-8389	310-8389	310-8389	Handle Mount Bracket - L.H. (Not Shown)
5	901-10769	901-10769	901-10769	901-10769	901-10769	Blade Adapter Kit/Less Blade
6	305-7071	718-143	718-143	305-7071	718-143	Grip
7	310-9364	310-7585	310-10011	310-9364	310-7585	Upper Handle
8	305-9973	NONE	387-9998	305-9973	NONE	Handle Control Cover
9	310-8398	310-8398	310-10024	310-8398	310-8398	Lower Handle
10	710-129	NONE	NONE	710-129	NONE	Self Tap Screw #8-32 x 5/16" Lg. *
11	710-107	710-107	710-107	710-107	710-107	Hex Centerlock Nut 1/4-20 Thread *
12	710-606	710-606	710-606	710-606	710-606	Hex Head Cap Screw 1/4-20 x 1-1/2" Lg. *
13	710-106	710-106	NONE	710-106	710-106	Hex Head Cap Screw 1/4-20 x 1-1/4" Lg. *
14	NONE	NONE	710-224	NONE	NONE	Hex Head Sheet Metal Screw #10 x 1/2" Lg. *
15	NONE	NONE	710-405	NONE	NONE	Curved head Bolt
16	NONE	NONE	305-9966	NONE	NONE	Hand Knob
17	746-145	746-145	746-128	746-145	746-145	Cable Clip
18	NONE	710-407	710-407	NONE	710-407	Slotted Hex Head Cap Screw #8-32 x 1/2" Lg. *
19	NONE	393-10900	387-10900	NONE	393-10900	Engine Shroud
20	-----	-----	-----	-----	-----	Engine
21	710-158	710-158	710-158	710-158	710-158	Hex Head Machine Screw 5/16-24 x 1/1/2" Lg. *
22	736-119	736-119	736-119	736-119	736-119	Spring Lockwasher 5/16" Screw *†
23	712-123	712-123	712-123	712-123	712-123	Hex Nut 5/16-24 Thread *†
24	350-10791	393-10791	387-10791	-----	-----	Deck Assembly Complete (20" Models)
	-----	-----	-----	350-10799	393-10799	Deck Assembly Complete (22" Models)
25	714-365	714-365	714-365	714-365	714-365	Key Hi-Pro #505 *†
26	748-189	748-189	748-189	748-189	748-189	Blade Adapter †
27	312-7582	312-7582	312-7582	-----	-----	Blade 20"
	-----	-----	-----	312-7581	312-7581	Blade 22"
28	736-217	736-217	736-217	736-217	736-217	Spring Lockwasher 3/8 Screw Heavy Duty *†
29	710-459	710-459	710-459	710-459	710-459	Hex Head Cap Screw 3/8-24 x 1-1/2" Lg. Heat Treated †
30	710-117	710-117	710-117	710-117	710-117	Hex Head Cap Screw 5/16-24 x 1" Lg. Heat Treated †
31	710-107	710-107	710-107	710-107	710-107	Hex Centerlock Nut 1/4-20 Thread *
32	310-8405	310-8405	310-8405	310-8405	310-8405	Reinforcement Plate
33	736-105	736-105	736-105	736-105	736-105	Belleville Washer
34	502-9392	502-9392	502-9392	501-9392	501-9392	Wheel Complete
35	3057006	305-7006	305-7006	305-7006	305-7006	Fortiflex Bearing
36	738-213	738-102	738-102	738-213	738-102	Axle Bolt
37	714-104	714-104	714-104	714-104	714-104	Hair Pin Cotter
38	305-7470	305-7470	305-7470	305-7470	305-7470	Throttle Control Knob ††
39	NONE	305-7520	305-7520	NONE	305-7520	Knob - Height Adjuster **
40	901-7627	901-7627	901-7627	901-7627	901-7627	Ferrule Assembly ††
41	732-141	732-141	732-141	732-141	732-141	Conduit and Wire ††
42	NONE	310-8313	310-8313	NONE	310-8313	Spring Lever **
43	NONE	736-105	736-105	NONE	736-105	Belleville Washer **
44	NONE	712-116	712-116	NONE	712-116	Elastic Stop Nut **
45	NONE	710-209	710-209	NONE	710-209	Sems Hex Head Cap Screw 3/8-16 x 5/8" Lg. **
46	NONE	310-7492	310-7492	NONE	310-7492	Pivot Bar
47	NONE	310-10408	310-10408	NONE	310-10408	Index Plate R.H.
	NONE	310-10409	310-10409	NONE	310-10409	Index Plate L.H.
48	NONE	305-9871	305-9871	NONE	305-9871	Hub Caps (Not Shown)

\* For faster service obtain standard nuts, bolts and washers locally.  
If these items cannot be obtained locally, order by part number and size as shown on the parts list.

† Part of Blade Adapter Kit/Less Blade 901-10769.

†† Part of Throttle Control Complete 310-10029 (Models 111-890-033 and 111-900-033). 310-10033 (Model 111-894-033). 310-8842 (Models 111-892-033 and 111-902-033).

\*\* Part of Height adjuster Complete 310-10414 R.H. and 310-10415 L.H.

**NOTE:** This instruction manual covers various models and all accessories shown do not necessarily apply to your model mower.

If repairs or service is needed on the engine, please contact your nearest authorized engine service outlet. Check the "Yellow Pages" of your telephone book under "Engines - Gasoline."



## ASSEMBLY INSTRUCTIONS

### ASSEMBLY – Optional handle

Your new mower is shipped completely assembled with the exception of the handle and throttle control assembly.

1. Remove lawn mower and all parts from carton. Make certain that all loose parts and literature are removed from carton before carton is discarded.
2. Extend throttle control assembly, which is attached to engine, to rear of mower and place on floor. **CAUTION:** Do not bend or kink control wire.
3. Assemble upper handle to lower handle using four each screws and lock nuts provided in parts bag.
4. Assemble complete handle assembly to mower so that throttle control mounting hole in upper handle will be on right side. Holes at bottom of lower handle are to be fitted over studs located in front of each rear wheel mounting position.
5. Position throttle control assembly on right hand side of upper handle so that holes in control assembly and handle are in line. Secure in place with screw and lock nut found in parts bag. Secure throttle wire to lower right handle tube with clips in parts bag.
6. Place the plastic control cover over the throttle control and secure with two self-tapping screws.

### OPERATION

**NOTE:** For shipping purposes your mower is set with the wheels in a low cutting height position. For best results, raise the cutting position until it is determined which height is best for your lawn. See adjustments.

1. Service engine with gas and oil. See Engine Manual packed with lawn mower for complete instructions for the care and maintenance of engine. **READ DIRECTIONS CAREFULLY.**
2. When ready to start engine, place throttle control lever in "START" position and start engine in accordance with instructions in Engine Manual. After engine starts, move throttle control lever to desired engine speed. The engine is stopped by placing control lever in the "STOP" position.
3. Be sure that lawn is clear of stones, sticks, wire or other objects which could damage lawn mower or engine. For best results and to insure more even grass distribution, do not mow when lawn is excessively wet.
4. Check blade bolts for proper tightness.

### ADJUSTMENTS

**CAUTION:** Do not at any time make any adjustment to lawn mower without first stopping engine and disconnecting spark plug wire.

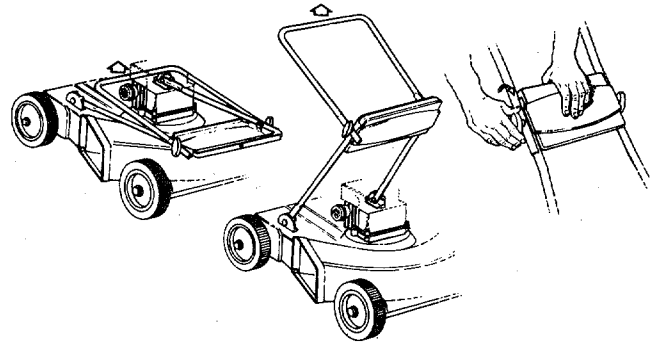
**CUTTING HEIGHT** – An adjusting plate and thumb lever at each wheel position provides cutting height adjustment. Each adjusting plate has five holes. Height of cut will be changed when the thumb lever is moved from one hole to another. Simply depress thumb lever towards wheel and move wheel and lever assembly to desired position. Cutting height will be raised as lever is moved toward front and lowered as lever is moved toward rear. All wheels must be positioned in relative height of cut positions.

**THROTTLE** – If adjustment becomes necessary, the throttle control wire assembly can be reset as follows:

1. Loosen, but do not remove, screw securing throttle control wire assembly at engine.
2. Move throttle control lever on handle to "FAST" position.
3. Move lever, to which control wire is fastened at engine, to full open position and retighten screw to secure throttle control wire assembly.

### LUBRICATION

**IMPORTANT:** Always stop engine and disconnect spark plug wire before cleaning, lubricating or doing any kind of work on lawn mower.



**WHEELS:** Wheel bearings are of lifetime Fortiflex. They require no lubrication.

**THROTTLE:** Periodically lubricate throttle control lever and throttle wire assembly with a few drops of light oil (S.A.E. No. 10 or 20) for ease of operation.

**ENGINE:** Follow Engine Manual for lubrication instructions.

### MAINTENANCE

**CUTTING BLADE** – The blade may easily be removed for grinding or replacement as follows:

1. Remove bolt and lock washer holding blade and hub assembly to engine crankshaft.
2. Remove blade and hub assembly from engine crankshaft.
3. Remove two bolts, lock washers and nuts holding blade to blade hub.

When sharpening blade, follow the original angle of grind as a guide. It is extremely important that each cutting edge receives an equal amount of grinding to prevent an unbalanced blade. An unbalanced blade will cause excessive vibration when rotating at high speeds and may cause damage to the mower.

Upon reassembly, make certain all parts are assembled properly and tightened securely.

**DECK** – The underside of mower deck should be cleaned after each period of use as grass clippings, leaves, dirt and other matter will accumulate. This accumulation of grass clippings, etc. is undesirable as it will invite corrosion and may cause an uneven discharge of grass clippings at the next cutting.

The deck may be cleaned by tilting the mower forward or on its left side and scraping clean with a suitable tool or by washing with a stream of water from a garden hose.

**CAUTION:** Do not direct the stream of water at a hot engine as damage to the engine may result.

**STORAGE** – The following steps should be taken to prepare lawn mower for storage.

1. Clean and lubricate mower thoroughly as described in the preceding instructions.
2. Refer to Engine Manual for correct engine storage instructions.
3. Coat mower's cutting blade with chassis grease to prevent rusting.
4. Place blocks under deck to raise tires clear of floor.
5. Store mower in a dry, clean area.

### USING YOUR MOWER

For best results, do not cut wet grass because it tends to stick to underside of the mower thus preventing proper discharge of grass clippings. If wet grass must be cut, reduce engine speed and walking speed to help distribute the clippings more effectively.

New grass should be treated as wet grass, otherwise a normal walking speed is about the right pace for efficient mowing. The best mowing pattern is one that allows the clippings to discharge towards the uncut part of the lawn. This permits recutting of the clippings to further pulverize them. When cutting high weeds, discharge towards cut portion, then recut at right angles to first direction.

Lawn should be cut in the fall as long as there is growth.

## Free Manuals Download Website

<http://myh66.com>

<http://usermanuals.us>

<http://www.somanuals.com>

<http://www.4manuals.cc>

<http://www.manual-lib.com>

<http://www.404manual.com>

<http://www.luxmanual.com>

<http://aubethermostatmanual.com>

Golf course search by state

<http://golfingnear.com>

Email search by domain

<http://emailbydomain.com>

Auto manuals search

<http://auto.somanuals.com>

TV manuals search

<http://tv.somanuals.com>