

OWNER'S GUIDE

10 CENTS

**Model Nos. 111-150
111-180**

ROTARY MOWER

WARRANTY

For one year from date of purchase, MTD Products Inc., will replace for the original purchaser, free of charge, F.O.B. factory or authorized service firm, any part or parts found to be defective in material or workmanship. All transportation charges on parts submitted for replacement under this warranty must be paid by the purchaser. This warranty does not include replacement of parts which become inoperative through misuse, excessive use, accident, neglect, improper maintenance or alterations by unauthorized persons. This warranty does not include the engine, motor, battery, battery charger or any component parts thereof. For service on these units refer to the applicable manufacturer's warranty.

The above warranty will apply only to the original owner and will be effective only if the warranty card has been properly processed. It will not apply where the unit has been used commercially.

Warranty service is available through your local authorized service dealer or distributor. UNDER NO CIRCUMSTANCES WILL THE RETURN OF A COMPLETE UNIT BE ACCEPTED BY THE FACTORY UNLESS PRIOR WRITTEN PERMISSION HAS BEEN EXTENDED.

SAFETY RULES

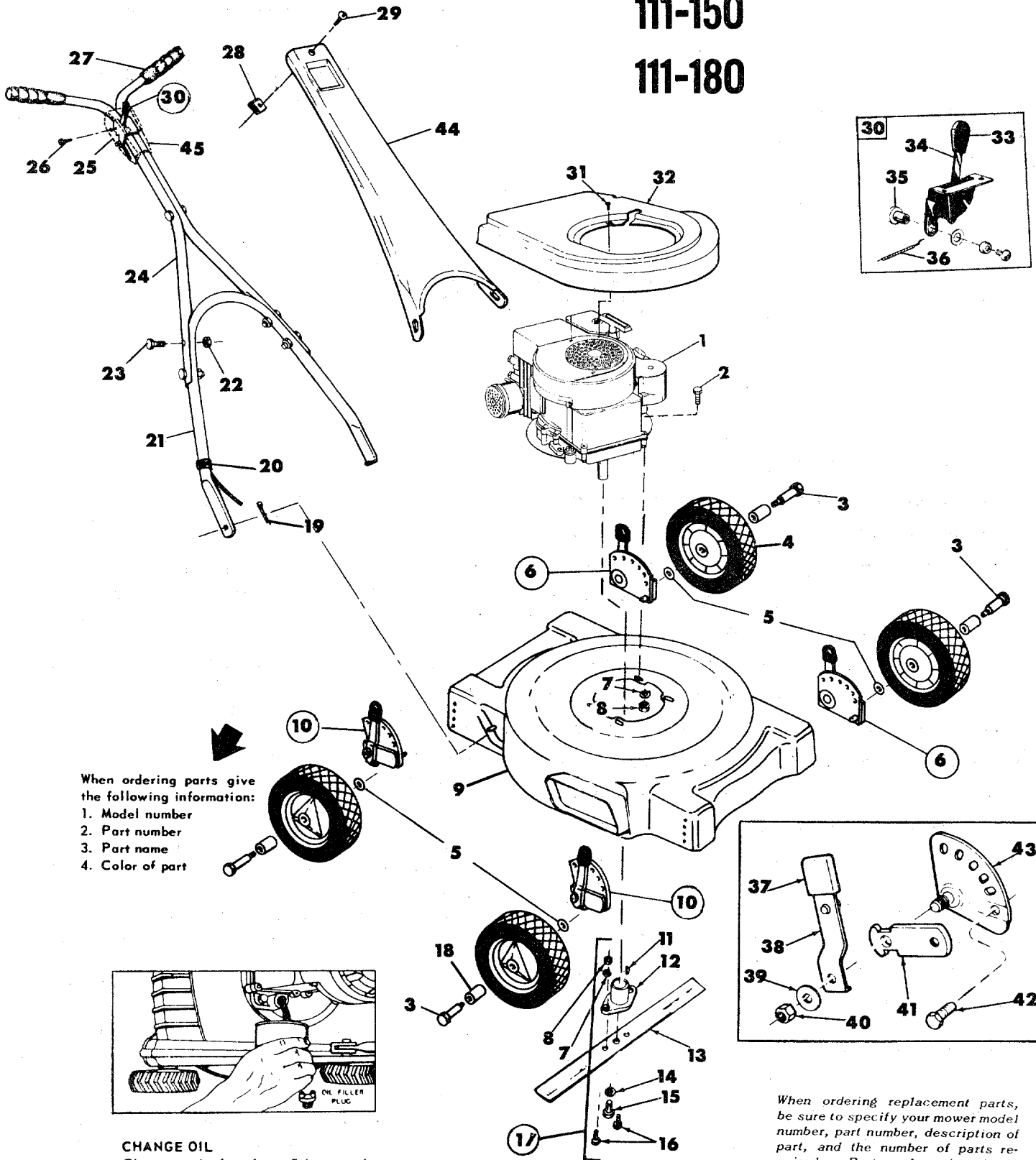
Your rotary mower is a precision piece of power equipment, not a plaything. Therefore exercise extreme caution at all times.

1. Remove all sticks, stones, wire and other hazardous items from lawn before mowing. Such items are dangerous to both the mower and individuals in the vicinity of the mower.
2. Always disconnect spark plug cable during repairs or refueling operations.
3. Always start engine from side opposite discharge chute.
4. NEVER place hands or feet under mower or near discharge chute while engine is running.
5. Do not tilt mower at extreme angle while engine is running. Cut grass on hills and banks sideways, not up and down.
6. Always stop engine when not cutting grass.
7. Do not fill gas tank while engine is running. Do not spill gasoline on hot engine.
8. Keep children and pets away from area at all times during mowing operation. Never allow mower to discharge grass toward any person.
9. Do not attempt to start engine while mower is resting in high grass.
10. Check all nuts and bolts, particularly the blade bolts, for tightness. This is especially important during the initial operation period. Make this same check periodically thereafter.
11. While operating the mower, if any foreign object is struck, stop the mower and inspect for damage. Do not restart or operate the mower until all damage has been repaired.

WARNING: Should excessive vibration develop, check your blade and crankshaft immediately. Do not operate mower with an unbalanced blade, a damaged blade or a damaged crankshaft.

111-150

111-180



CHANGE OIL

Change oil after first 5 hours of operation while engine is warm. Thereafter change oil every 25 hours of operation while engine is warm. Engine may be drained through oil filler opening. Be sure to replace drain plug and oil filler cap.

PARTS LIST FOR MOWER MODEL NOS. 111-150 and 111-180

Ref. No.	Part No. 111-150	Part No. 111-180	DESCRIPTION
1	----	----	Engine
2	710-158	710-158	Hex Head Cap Screw 5/16-24 x 1-1/4" Lg. *
3	738-102	738-102	Axle Bolt
4	504-9392	505-9392	Wheel Assembly - Complete
5	736-105	736-105	Belleville Washer
6	310-10415	310-10415	Height Adjuster Complete - L.H.
7	736-119	736-119	Spring Lockwasher 5/16 Screw *†
8	712-123	712-123	Hex Nut 5/16-24 Thread *†
9	437-10909	437-10911	Deck Assembly
10	310-10414	310-10414	Height Adjuster Complete - R.H.
11	714-365	714-365	Hi Pro Key #505 *†
12	748-189	748-189	Blade Adapter †
13	312-7582	312-7581	Blade
14	736-217	736-217	Spring Lockwasher 3/8 Screw Heavy Duty *†
15	710-459	710-459	Hex Head Cap Screw 3/8-24 x 1-1/2" Lg. Heat Treated †
16	710-117	710-117	Hex Head Cap Screw 5/16-24 x 1" Lg. Heat Treated †
17	901-10769	901-10769	Blade Adapter Kit/Less Blade
18	305-7006	305-7006	Fortiflex Bearing
19	714-104	714-104	Hairpin Cotter
20	746-128	746-128	Cable Clip
21	310-7016	310-7036	Lower Handle
22	712-107	712-107	Hex Center Locknut 1/4-20 Thread *
23	710-106	710-106	Hex Head Cap Screw 1/4-20 x 1-1/4" Lg. *
24	310-9364	310-9364	Upper Handle
25	710-606	710-606	Hex Head Cap Screw 1/4-20 x 1-1/2" Lg. *
26	710-129	710-129	Round Head Self Tapping Screw #8-32 x 5/16" Lg. *
27	305-7071	305-7071	Grip
28	712-526	712-526	Speed Nut
29	710-437	710-437	Round Head Machine Screw #10-24 x 1/2" Lg.
30	310-8511	310-8511	Throttle Control - Complete
	310-10029	310-10029	Throttle Control - Complete (Optional Cover)
31	710-407	710-407	Slot Hex Head Extension Screw #8-32 x 1/2" Lg.
32	437-10611	437-10611	Engine Shroud (Optional)
33	305-7470	305-7470	Throttle Control - Knob ††
34	310-8506	310-8506	Throttle Control - Bracket ††
	310-9996	310-9996	Throttle Control - Bracket (Optional Cover)
35	901-7627	901-7627	Ferrule Assembly ††
36	732-141	732-141	Conduit and Wire ††
37	305-7520	305-7520	Knob - Height Adjuster **
38	310-8313	310-8313	Spring Lever **
39	736-105	736-105	Belleville Washer
40	712-116	712-116	Elastic Stop Nut **
41	310-7492	310-7492	Pivot Bar **
42	710-209	710-209	Sems Hex Head Cap Screw 3/8-16 x 5/8" Lg. **
43	310-10408	310-10408	Index Plate - R.H. **
	310-10409	310-10409	Index Plate - L.H. **
44	437-7857	437-7857	Handle Panel
45	305-9973	305-9973	Control Cover (Optional)
46	305-9871	305-9871	Hub Cap (Not Shown) (Optional)

* For faster service obtain standard nuts, bolts and washers locally. If these items cannot be obtained locally, order by part number and size as shown on the parts list.

† Part of Blade Adapter Kit/Less blade (901-10769). ** Part of Height Adjuster Complete (310-10414-R.H., 310-10415-L.H.).

†† Part of Throttle Control Complete (310-8511). (Optional 310-10029).

NOTE! This instruction manual covers various models, and all accessories shown do not necessarily apply to your model mower.

If repairs or service is needed on the engine, please contact your nearest authorized engine service outlet. Check the "Yellow Pages" of your telephone book under "Engines - Gasoline."



ASSEMBLY INSTRUCTIONS

Your new mower is shipped preassembled with the exception of the handle and throttle control assembly.

1. Remove lawn mower and all parts from carton. Make certain that all loose parts and literature are removed from carton before carton is discarded.
2. Extend throttle control assembly, which is attached to engine at rear of mower, and place on floor. CAUTION: Do not bend or kink control wire.
3. Snap lower handle into position on two lugs which extend from either side on rear of the deck.
4. Assemble the two upper handle parts with cap screw in lower holes. Place speed nut on control. Line up control mounting holes with top holes in upper handle and secure with cap screw (yellow) and locknut. Do not tighten.
5. Attach upper handle to lower handle with cap screws in lower holes only. Do not tighten.
6. Fasten control panel to upper handle with cap screws in lower holes and round head machine screw through upper hole. Tighten all nuts.
7. Secure control wires to lower handle with cable clips.

OPERATION

NOTE: For shipping purposes your mower is set with the wheels in a low cutting height position. For best results, raise the cutting position until it is determined which height is best for your lawn. See adjustments.

1. Service engine with gas and oil. See Engine Manual packed with lawn mower for complete instructions for the care and maintenance of engine. **READ DIRECTIONS CAREFULLY.**
2. When ready to start engine, place throttle control lever in "START" position and start engine in accordance with instructions in Engine Manual. After engine starts, move throttle control lever to desired engine speed. The engine is stopped by placing control lever in the "STOP" position.
3. Be sure that lawn is clear of stones, sticks, wire or other objects which could damage lawn mower or engine. For best results and to insure more even grass distribution, do not mow when lawn is excessively wet.

ADJUSTMENTS

CAUTION: Do not at any time make any adjustment to lawn mower without first stopping engine and disconnecting spark plug wire.

EASY CUTTING HEIGHT – An adjusting plate and thumb lever at each wheel position provides cutting height adjustment. Each adjusting plate has five holes. Height of cut will be changed when the thumb lever is moved from one hole to another. Simply depress thumb lever towards wheel and move wheel and lever assembly to desired position. Cutting height will be raised as lever is moved toward front and lowered as lever is moved toward rear. All wheels must be positioned in relative height of cut positions.

STANDARD CUTTING HEIGHT – Adjustment may be made by removing and moving wheel studs to desired position. Cutting heights will be raised as wheel studs are moved to a lower hole and lowered as wheel studs are moved to a higher hole in the deck. All wheel studs must be mounted in a relative position to the deck.

THROTTLE – If adjustment becomes necessary, the throttle control wire assembly can be reset as follows:

1. Loosen, but do not remove, screw securing throttle control wire assembly at engine.
2. Move throttle control lever on handle to "FAST" position.
3. Move lever, to which control wire is fastened at engine, to full open position and retighten screw to secure throttle control wire assembly.

LUBRICATION

IMPORTANT: Always stop engine and disconnect spark plug wire before cleaning, lubricating or doing any kind of work on lawn mower.

WHEELS: Wheel bearings are of lifetime Fortiflex. They require no lubrication.

THROTTLE: Periodically lubricate throttle control lever and throttle wire assembly with a few drops of light oil (S.A.E. No. 10 or 20) for ease of operation.

ENGINE: Follow Engine Manual for lubrication instructions.

MAINTENANCE

CUTTING BLADE – The blade may easily be removed for grinding or replacement as follows:

1. Remove bolt and lock washer holding blade and hub assembly to engine crankshaft.
2. Remove blade and hub assembly from engine crankshaft.
3. Remove two bolts, lockwashers and nuts holding blade to blade hub.

When sharpening blade, follow the original angle of grind as a guide. It is extremely important that each cutting edge receives an equal amount of grinding to prevent an unbalanced blade. An unbalanced blade will cause excessive vibration when rotating at high speeds and may cause damage to the mower.

Upon reassembly, make certain all parts are assembled properly and tightened securely.

DECK – The underside of mower deck should be cleaned after each period of use as grass clippings, leaves, dirt and other matter will accumulate. This accumulation of grass clippings, etc. is undesirable as it will invite corrosion and may cause an uneven discharge of grass clippings at the next cutting.

The deck may be cleaned by tilting the mower forward or on its left side and scraping clean with a suitable tool or by washing with a stream of water from a garden hose.

CAUTION: Do not direct the stream of water at a hot engine as damage to the engine may result.

STORAGE – The following steps should be taken to prepare lawn mower for storage.

1. Clean and lubricate mower thoroughly as described in the preceding instructions.
2. Refer to Engine Manual for correct engine storage instructions.
3. Coat mower's cutting blade with chassis grease to prevent rusting.
4. Place blocks under deck to raise tires clear of floor.
5. Store mower in a dry, clean area.

USING YOUR MOWER

For best results, do not cut wet grass because it tends to stick to underside of the mower thus preventing proper discharge of grass clippings. If wet grass must be cut, reduce engine speed and walking speed to help distribute the clippings more effectively.

New grass should be treated as wet grass, otherwise a normal walking speed is about the right pace for efficient mowing. The best mowing pattern is one that allows the clippings to discharge towards the uncut part of the lawn. This permits recutting of the clippings to further pulverize them. When cutting high weeds, discharge towards cut portion, then recut at right angles to first direction.

Lawn should be cut in the fall as long as there is growth.

Free Manuals Download Website

<http://myh66.com>

<http://usermanuals.us>

<http://www.somanuals.com>

<http://www.4manuals.cc>

<http://www.manual-lib.com>

<http://www.404manual.com>

<http://www.luxmanual.com>

<http://aubethermostatmanual.com>

Golf course search by state

<http://golfingnear.com>

Email search by domain

<http://emailbydomain.com>

Auto manuals search

<http://auto.somanuals.com>

TV manuals search

<http://tv.somanuals.com>