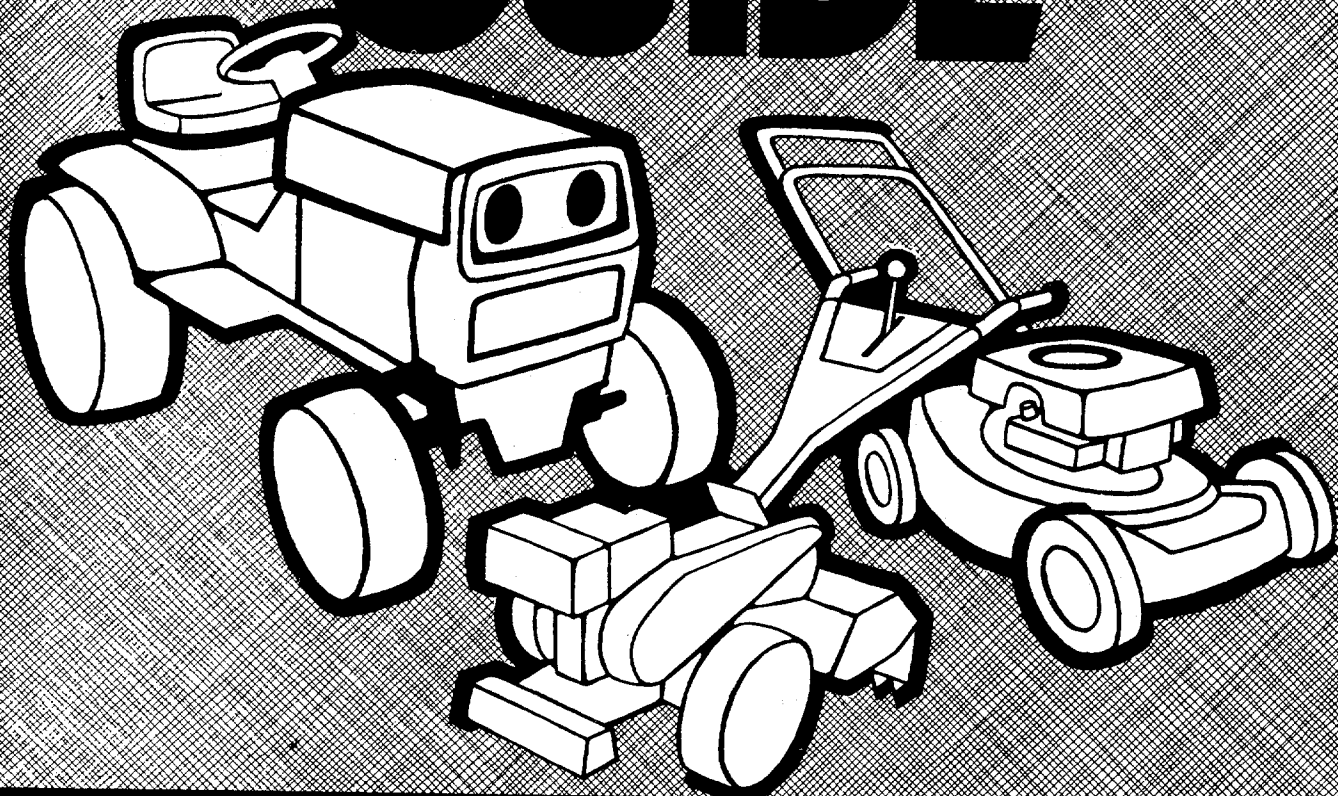


# OWNER'S GUIDE



**ASSEMBLY • OPERATION • MAINTENANCE • PARTS**

## 20" AND 22" ROTARY MOWERS

**Important:**

**Read Safety Rules and  
Instructions Carefully**

Thank you  
for purchasing an  
American built product.

**Model Numbers**

**112-112A**

**112-120A**

**112-112-033**

**112-120-120**

Safe Operation Practices .....	3	Maintenance .....	8
Assembly Instructions .....	4	Off-Season Storage .....	9
Operation .....	6	Illustrated Parts View .....	10
Adjustments .....	6	Parts List for Mower .....	11
Lubrication .....	7	Parts Information .....	Back Cover

## LIMITED WARRANTY

For one year from the date of original retail purchase, MTD PRODUCTS INC will either repair or replace, at its option, free of charge, F.O.B. factory or authorized service firm, any part or parts found to be defective in material or workmanship. Transportation charges for the movement of any power equipment unit or attachment are the responsibility of the purchaser. Transportation charges for any parts submitted for replacement under this warranty must be paid by the purchaser unless such return is requested by MTD PRODUCTS INC.

This warranty will not apply to any part which has become inoperative due to misuse, excessive use, accident, neglect, improper maintenance, alterations, or unless the unit has been operated and maintained in accordance with the instructions furnished. This warranty does not apply to the engine, motor, battery, battery charger or component parts thereof. Please refer to the applicable manufacturer's warranty on these items.

This warranty will not apply where the unit has been used commercially.

Warranty service is available through your local authorized service dealer or distributor. If you do not know the dealer or distributor in your area, please write to the Customer Service Department of MTD.

The return of a complete unit will not be accepted by the factory unless prior written permission has been extended by MTD.

This warranty gives you specific legal rights. You may also have other rights which vary from state to state.



**TO PURCHASERS  
OF INTERNAL COMBUSTION ENGINE EQUIPPED  
MACHINERY OR DEVICES IN THE STATE OF CALIFORNIA**

The equipment which you have just purchased does not have a spark arrester. If this equipment is used on any forest covered land, brush covered land, or grass covered unimproved land in the State of California, before using on such land, the California law requires that a spark arrester be provided. In addition, spark arrester is required by law to be in effective working order. The spark arrester must be attached to the exhaust system and comply with Section 4442 of the California Public Resources Code.



**WARNING**

To reduce the potential for any injury, comply with the following safety instructions. Failure to comply with the instructions may result in personal injury.

## **SAFE OPERATION PRACTICES FOR WALK-BEHIND MOWERS**

### **TRAINING**

1. It is suggested that this manual be read in its entirety before attempting to assemble or operate this unit. Keep this manual in a safe place for future reference and for ordering replacement parts.
2. Your rotary mower is a precision piece of power equipment, not a plaything. Therefore, exercise extreme caution at all times.
3. Read this Owner's Manual carefully. Be thoroughly familiar with the controls and the proper use of the equipment.
4. Never allow children to operate a power mower. Only persons well acquainted with these rules of safe operation should be allowed to use your mower.
5. Keep the area of operation clear of all persons, particularly small children and pets. Stop engine when they are in the vicinity of your mower. Although the area of operation should be completely cleared of foreign objects, a small object may have been overlooked and could be accidentally thrown by the mower in any direction and cause injury.
4. After striking a foreign object, stop the engine, remove the wire from the spark plug, and thoroughly inspect the mower for any damage. Repair the damage before restarting and operating the mower.
5. If the equipment should start to vibrate abnormally, stop the engine and check immediately for the cause. Vibration is generally a warning of trouble.
6. Stop the engine whenever you leave the mower, before cleaning the mower housing, and when making any repairs or inspections.
7. When cleaning, repairing or inspecting, make certain the blade and all moving parts have stopped. Disconnect the spark plug wire, and keep the wire away from the plug to prevent accidental starting.
8. Before attempting to unclog the mower or discharge chute, stop the engine and be sure the blade has stopped completely. The cutting blade continues to rotate for a few seconds after the engine is shut off. Never place any part of the body in the blade area until you are sure the blade has stopped rotating. Disconnect the spark plug wire and keep the wire away from the plug to prevent accidental starting.
9. Do not run the engine indoors.
10. Shut the engine off and wait until the blade comes to a complete stop before removing the grass catcher or unclogging chute.
11. Mow across the face of slopes, never up-and-down. Exercise extreme caution when changing direction on slopes. Do not mow excessively steep slopes.
12. Always disconnect electric mowers (line operated) before cleaning, repairing or adjusting.
13. Never operate mower without proper guards, plates or other safety protective devices in place.
14. Keep washout ports and other mower-housing service openings closed when mowing.

### **PREPARATION**

1. Thoroughly inspect the area where the equipment is to be used. Remove all stones, sticks, wire, bones and other foreign objects which could be picked up and thrown by the mower in any direction and cause injury.
2. Do not operate equipment when barefoot or wearing open sandals. Always wear substantial footwear.
3. Do not wear loose fitting clothing that could get caught on the mower.
4. Check the fuel before starting the engine. Gasoline is an extremely flammable fuel. Do not fill the gasoline tank indoors, while the engine is running, or while the engine is still hot. Wipe off any spilled gasoline before starting the engine as it may cause a fire or explosion.
5. Disengage the self-propelled mechanism or drive clutch on units so equipped before starting the engine.
6. Never attempt to make a wheel or cutting height adjustment while the engine is running.
7. Mow only in daylight or in good artificial light.
8. Never operate the equipment in wet grass. Always be sure of your footing. Keep a firm hold on the handle and walk, never run.

### **OPERATION**

1. Do not change the engine governor settings or overspeed the engine. Excessive engine speeds are dangerous.
2. Do not put hands or feet near or under rotating parts. Keep clear of the discharge opening at all times as the rotating blade can cause injury.
3. Stop the blade when crossing gravel drives, walks or roads.

### **MAINTENANCE AND STORAGE**

1. Check the blade and engine mounting bolts at frequent intervals for proper tightness.
2. Keep all nuts, bolts, and screws tight to be sure the equipment is in safe working condition.
3. Never store the equipment with gasoline in the tank inside of a building where fumes may reach an open flame or spark. Allow the engine to cool before storing in any enclosure.
4. To reduce fire hazard, keep the engine free of grass, leaves, or excessive grease.
5. Check the grass catcher bag frequently for wear or deterioration. For safety protection, replace only with new bag meeting original equipment specifications.

# ASSEMBLY INSTRUCTIONS



NOTE

This unit is shipped WITHOUT GAS-OILINE or OIL. After assembly, see operating section of this manual for proper fuel and engine oil recommendations.

Your new mower is shipped preassembled with the exception of the handle.

## ← Contents of Hardware Pack: (See Figure 1)

- A (2) Curved Head Carriage Bolts 5/16-18 x 1.38" Long
- B (2) Lock Washers 5/16" I.D.
- C (2) Hex Nuts 5/16-18 Thread
- D (2) Cable Ties
- E (1) Hex Bolt 1/4-20 x 1.50" Long
- F (1) Hex Lock Nut 1/4-20 Thread
- G (2) Hairpin Cotter

1. Remove lawn mower and all parts from the carton. Make certain that all loose parts and literature have been removed before the carton is discarded.
2. Extend throttle control assembly which is attached to engine at the rear of the mower and place on floor.



CAUTION

Do not bend or kink control wires.

- ← 3. Place **upper slotted hole** in lower handle over studs located in front of each rear wheel. Secure with hairpin cotter (G) provided in hardware pack. See figure 2.



NOTE

It may be necessary to bend the ends of the lower handle inward slightly to obtain a snug fit against the deck.



NOTE

Figure 2 is shown with the rear wheel removed for clarity. It is not necessary to remove wheel for handle assembly.

- ← 4. There are two height positions for the handle. Place upper handle in position over lower handle, selecting hole for either high or low position. See figure 8. Secure with two curved head bolts (A), lock washer (B) and hex nuts (C) as shown in figure 3. Tighten securely using a 1/2" wrench.

5. Check **all** nuts and bolts for correct tightness.

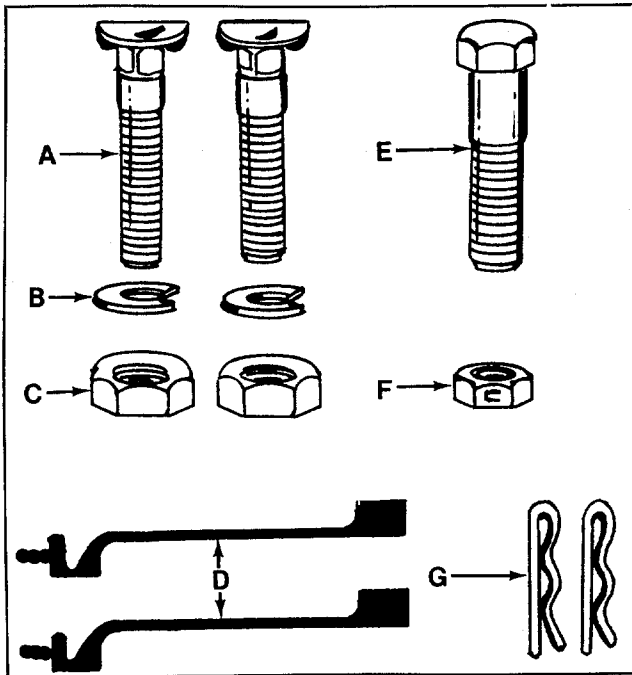


FIGURE 1.

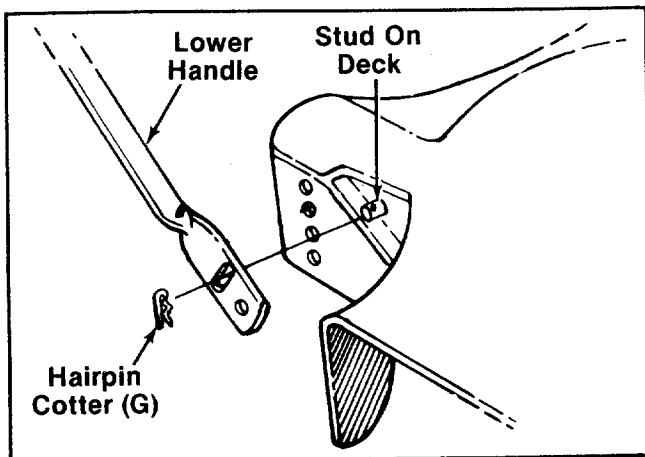


FIGURE 2.

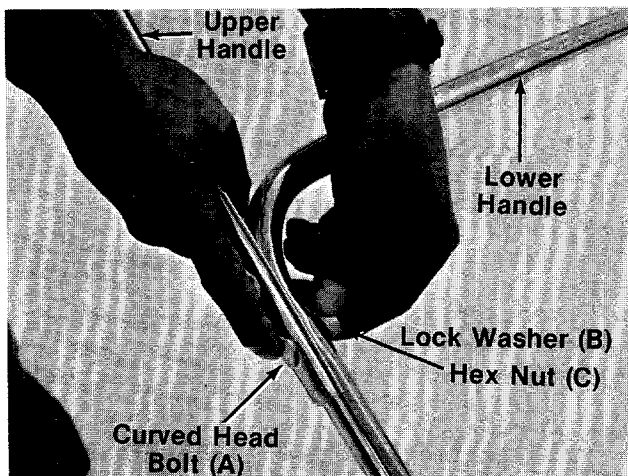


FIGURE 3.

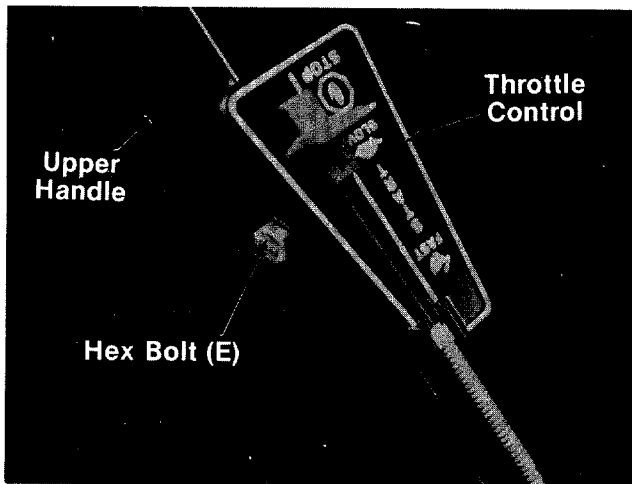


FIGURE 4.

6. Place the throttle control in position on right side of upper handle. Secure with hex bolt and lock nut. See figure 4.



Reference to right and left hand sides of the unit is observed from the operating position.

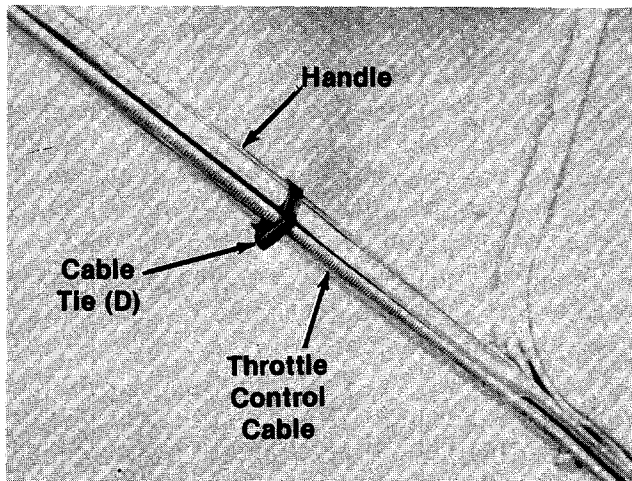


FIGURE 5.

7. Secure throttle control cable to upper and lower handles with cable ties (D) provided. See figure 5.

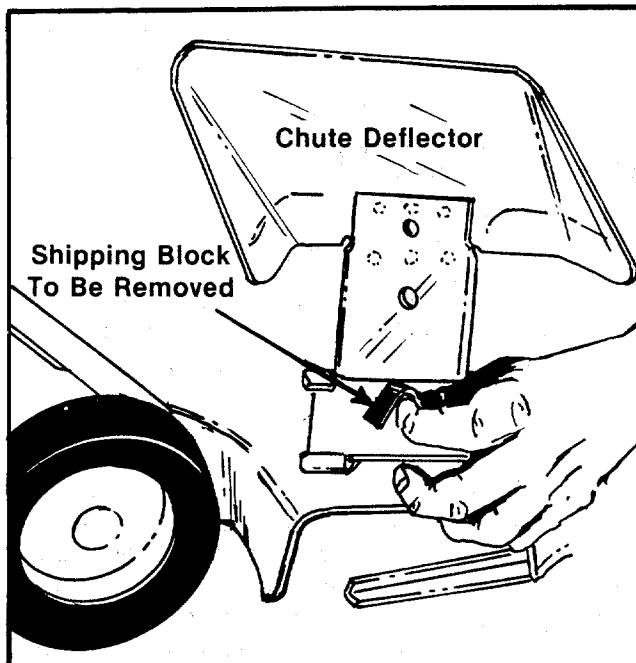


FIGURE 6.



- Please note that the chute deflector on your mower is in an upright position. It is held in that position by a shipping block. This block is used for shipping purposes only. It must be removed and discarded before your mower is put into operation. See figure 6.

# OPERATION

## Caution

Do Not Operate Mower Unless Guard Or Grass Catcher Is In Its Proper Place.



FIGURE 7.

Keep hands and feet away from the chute area on cutting deck. See figure 7.

For shipping purposes, the wheels on your mower are generally set in the upper mounting holes. Relocating the wheels to the second holes from the bottom will give better mowing results in most cases. When changing wheel positions, be sure Belleville washers are assembled properly. (See cutting height instructions.)

1. Fill sump with oil using a high quality detergent oil classified "For Service SC, SD, SE or MS." Nothing should be added to the recommended oil.

Use SAE 30 oil. If not available, use SAE 10W-30 or SAE 10W-40 oil.

Place the engine level. Remove oil filler plug. FILL THE OIL SUMP TO POINT OF OVERFLOWING. Pour slowly. Capacity 1-1/4 pints.

2. Fill fuel tank using clean, fresh, **regular** grade automotive gasoline. Fill tank completely!  
DO NOT MIX OIL WITH GASOLINE.
3. When ready to start engine, place throttle control lever on handle in "START" position and start engine in accordance with instructions in engine manual. After engine starts, move

throttle control lever on handle to desired engine speed. The engine is stopped by placing control lever on handle in the "STOP" position.

Be sure that lawn is clear of stones, sticks, wire, or other objects which could damage lawn mower or engine. For best results and to insure more even grass distribution, do not mow when lawn is excessively wet.



## IMPORTANT

If you strike a foreign object, stop the engine. Remove wire from spark plug and thoroughly inspect the mower for any damage. Repair the damage before restarting and operating the mower.

## USING YOUR ROTARY MOWER

For the best results, do not cut wet grass because it tends to stick to the underside of the mower, preventing proper discharge of grass clippings. If wet grass must be cut, reduce walking speed to help distribute the clippings more effectively.

New grass, thick grass or wet grass may require a narrower cut. Blade speed should be adjusted to the condition of the lawn.

The best mowing pattern is one that allows the clippings to discharge towards the uncut part of the lawn. This permits recutting of the clippings to further pulverize them. When cutting high weeds, discharge towards cut portion then recut at right angles to first direction.

For best results, cut off one-third or less of the total length of the grass. Lawn should be cut in the fall as long as there is growth.

## ADJUSTMENTS



### CAUTION

Do not at any time make any adjustment to lawn mower without first stopping engine and disconnecting spark plug wire.

## CUTTING HEIGHT

An adjusting plate and thumb lever at each wheel position provides cutting height adjustment. Each adjusting plate has five holes. Height of cut will be changed when the thumb lever is moved from one hole to another. Simply depress the lever towards wheel and move wheel and lever assembly to desired position.

Cutting height will be raised as front levers are moved to the front, and rear levers are moved to the rear.

Cutting height will be lowered as front levers are moved to the rear, and rear levers moved to the front. All wheels must be positioned at the same height.

For rough or uneven lawns, move the wheels to a position which will give a higher cutting height.

### HANDLE POSITION

The upper handle can be adjusted to a high or low position. The adjustment is made by removing the hex nuts, lock washers and curved head bolts and reassembling in the other position. A 1/2" wrench is required. See figure 8.

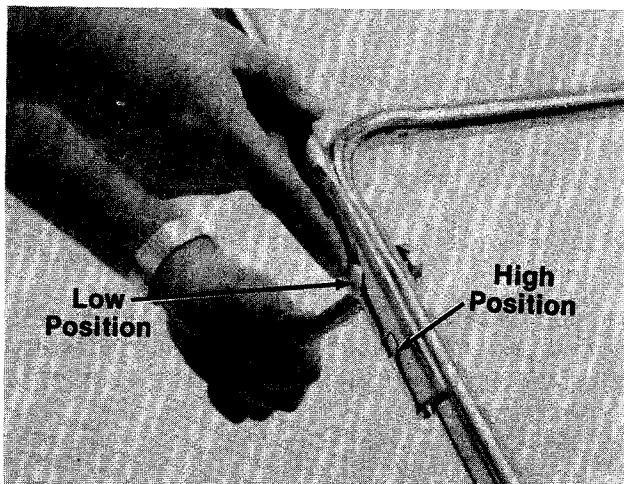


FIGURE 8.

### THROTTLE

If adjustment becomes necessary, the throttle control wire assembly can be reset as follows:

1. Loosen, but do not remove, screw securing throttle control wire assembly at engine. See figure 9.
2. Move throttle control lever on handle to "FAST" position.
3. Move lever, to which control wire is fastened at engine, to full open position and retighten screw to secure throttle control wire assembly.



FIGURE 9.  
CARBURETOR ADJUSTMENTS



If any adjustments are made to the engine while the engine is running (e.g. carburetor), disengage all clutches and blades. Keep clear of all moving parts. Be careful of heated surfaces and muffler.

Minor carburetor adjustment may be required to compensate for differences in fuel, temperature, altitude and load.

All carburetor adjustments should be made with the air cleaner on engine. Air cleaner mounting screw must be in carburetor when engine is run. Best adjustment is made with a fuel tank half full of gasoline.

To adjust the carburetor, refer to the separate engine manual packed with your mower.

### LUBRICATION



Always stop engine and disconnect spark plug wire before cleaning, lubricating or doing any kind of work on lawn mower.

**Wheels**—The wheels require no lubrication. However, if the wheels are removed for any reason, lubricate the surface of the axle bolt and the inner surface of the wheel with light oil. A 4 oz. plastic bottle of light oil lubricant is available. Order part number 737-0170. Engine oil may also be used.

If your unit is provided with optional ball bearing wheels, lubricate at least once a season with light oil.

**Protective Shield**—The pivot points on the protective shield should be lubricated periodically with light oil to prevent any rust or binding.

**Chute Deflector**—The torsion spring and pivot point should be lubricated periodically with light oil to prevent any rust or binding. Deflector must work freely.

**Engine**—Follow engine manual for lubrication instructions.

**Throttle**—Periodically lubricate throttle control lever and throttle wire assembly with a few drops of light oil for ease of operation.

## MAINTENANCE

### CUTTING BLADE

#### A. Removal for Sharpening or Replacement



Be sure to disconnect and ground the spark plug wire before working on the cutting blade to prevent accidental engine starting.

1. Remove the large bolt and lock washer which holds the blade and adapter to the engine crankshaft.
2. Remove the blade and adapter from the crankshaft. Be careful not to lose the key on the crankshaft.
3. If the blade or blade adapter needs replacing, remove the two small bolts, lock washers and nuts which hold the blade to the adapter.

#### B. Sharpening

Remove the cutting blade by following the directions of the preceding section.

When sharpening the blade, follow the original angle of grind as a guide. It is **extremely important** that each cutting edge receives an equal amount of grinding to prevent an unbalanced blade. An unbalanced blade will cause excessive vibration when rotating at high speeds, may cause damage to the mower and could break, causing personal injury.

The blade can be tested for balance by balancing it on a round shaft screwdriver. Remove metal from the heavy side until it balances evenly.



It is recommended that the blade always be removed from the adapter for the best test of balance.

### C. Reassembly

Before reassembling the blade and the blade adapter to the unit, lubricate the engine crankshaft and the inner surface of the blade adapter with light oil. Lubricating the bolt holes, bolts and inner surface of the nuts with light oil is also recommended. A 4 oz. plastic bottle of light oil lubricant is available. Order part number 737-0170. Engine oil may also be used.

When replacing the blade, be sure to install the blade with the side of the blade marked "Bottom" (or with part number) facing the ground when the mower is in the operating position. Make certain key is in place on the crankshaft.

#### Blade Mounting Torque

3/8" Dia. Bolt 375 in. lb. min., 450 in. lb. max.

5/16" Dia. Bolt 150 in. lb. min., 250 in. lb. max.

To insure safe operation of your unit, ALL nuts and bolts must be checked periodically for correct tightness.

### DECK

The underside of mower deck should be cleaned after each period of use as grass clippings, leaves, dirt and other matter will accumulate. This accumulation of grass clippings, etc., is undesirable as it will invite rust and corrosion and may cause an uneven discharge of grass clippings at the next cutting.

The deck may be cleaned by tilting the mower forward or on its side and scraping clean with a suitable tool or by washing with a stream of water from a garden hose.



Do not direct the stream of water at a hot engine as damage to the engine may result.

### ENGINE OIL

Check oil level before starting engine and after every 5 hours of operation. ADD oil as necessary to keep level FULL TO POINT OF OVERFLOWING. Before removing oil fill plug, clean area around plug to prevent dirt from entering oil fill hole. Engine should be in a level position when checking oil.

Change oil after first 5 hours of operation. Thereafter change every 25 hours. Change oil while engine is warm. Oil may be drained thru drain on bottom of engine. To drain completely, always place engine level when draining thru the bottom. Oil capacity 1-1/4 pints. See figure 10.



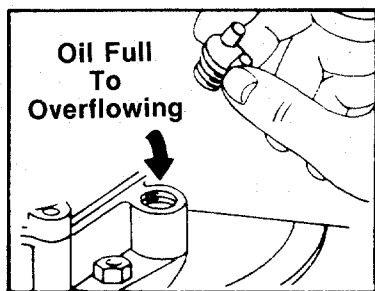


FIGURE 10.

### AIR CLEANER

Service air cleaner every 25 hours under normal conditions. Clean every few hours under extremely dusty conditions. Poor engine performance and flooding usually indicates that the air cleaner should be serviced.

To service the air cleaner, refer to the separate engine manual packed with your mower.

### SPARK PLUG

The spark plug should be cleaned and the gap reset once a season. Spark plug replacement is recommended at the start of each mowing season; check engine manual for correct plug type and gap specifications.

## OFF-SEASON STORAGE

The following steps should be taken to prepare lawn mower for storage.

1. Clean and lubricate mower thoroughly as described in the preceding instructions.
2. Refer to engine manual for correct engine storage instructions.
3. Coat mower's cutting blade with chassis grease to prevent rusting.
4. Place blocks under deck to raise tires clear of floor.
5. Store mower in a dry, clean area.



### NOTE

The use of any accessory on this Rotary Mower other than those manufactured by the mower manufacturer is **not** recommended.

GRASS CATCHER Model 003 is available as optional equipment for the mowers shown in this manual.



### WARNING

1. The mower should not be operated without the entire grass catcher or chute deflector in place.
2. The mower should not be operated without the protective shield on the rear of the deck in place.



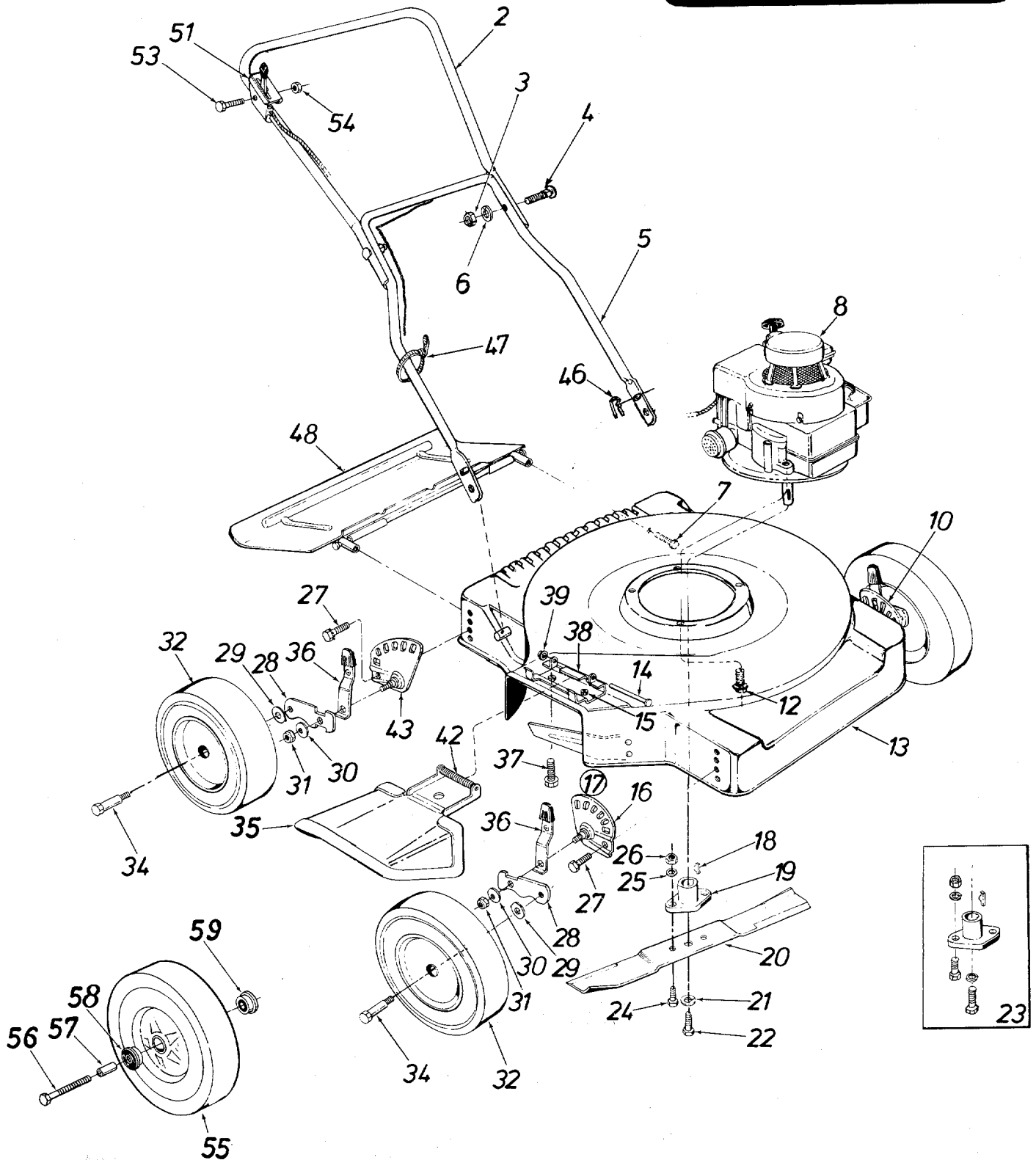
### NOTE

Under normal usage bag material is subject to wear and should be checked periodically. Be sure any replacement bag complies with the mower manufacturer's recommendations.

For replacement bags, use only factory authorized replacement bag No. 764-0176.

# Models 112 and 120

IF YOU WRITE TO US ABOUT THIS ARTICLE  
OR IF YOU ORDER REPLACEMENT PARTS AL-  
WAYS MENTION THIS MODEL & SERIAL NO  
MODEL



# Models 112 and 120

## PARTS LIST FOR MODELS 112 AND 120 ROTARY MOWERS

REF. NO.	PART NO.	COLOR CODE	DESCRIPTION	NEW PART	REF. NO.	PART NO.	COLOR CODE	DESCRIPTION	NEW PART
2	749-0385		Upper Handle (Chrome)		26	712-0123		Hex Nut 5/16-24 Thd.*	
	749-0465		Upper Handle (Painted)		27	710-0209		Hex Sems Bolt 3/8-16 x .62" Lg.*	
3	712-0267		Hex Nut 5/16-18 Thd.*						
4	710-0671		Curved Hd. Carr. Bolt 5/16-18 x 1.38" Lg.		28	10937		Pivot Bar	
5	<del>749-0449</del>		Lower Handle (Chrome)		29	736-0105		Bell-Wash. 3/8" I.D.	
	749-0448		Lower Handle (Painted)		30	736-0219		Bell-Wash. .400 I.D. x 1.130 O.D.	
6	736-0119		L-Wash. 5/16" I.D.		31	712-0116		Elastic Stop Nut	
7	710-0567		Hex Bolt 1/4-28 x .62" Lg. Nylock		32	734-0841		Wheel Ass'y. Comp. (8" Plastic)†	
8	—		Engine		34	738-0102		Axle Bolt (Used w/Ref. No. 32)†	
10	10941		Height Adjuster Ass'y. Comp.—L.H.		35	11679		Chute Deflector Ass'y. Comp.	
12	710-0654		Hex Wash. Hd. Self-Tap Scr. 3/8-16 x .88" Lg.		36	10949		Spring Lever Ass'y. w/Knob	
13	11409	—462	20" Deck Ass'y. (112)		37	710-0289		Hex Bolt 1/4-20 x .50" Lg.*	
	12920	—463	22" Deck Ass'y. (120)		38	11130		Adapter Plate	
14	711-0555		Pivot Pin		39	726-0106		Push-On Flange Palnut	
15	712-0107		Hex Cent. L-Nut 1/4-20 Thd.		42	732-0253		Torsion Spring	
16	10934		Index Plate Ass'y.—R.H.		43	10937		Index Plate Ass'y.—L.H.	
17	10938		Height Adjuster Ass'y. Comp.—R.H.		46	714-0104		Hairpin Cotter	
18	714-0365		#6 Hi-Pro Key 5/32 x 5/8" Dia.		47	726-0188		Cable Tie	
19	10769		Blade Adapter Kit		48	11193	—462	Rear Shield Ass'y. (20")	
0	742-0123		20" Blade (112)			14084	—463	Rear Shield Ass'y. (22")	
	742-0125		22" Blade (120)		51	746-0259		Throttle Control Ass'y.	
21	736-0217		L-Wash. 3/8" Scr.—H.D.		53	710-0606		Hex Bolt 1/4-20 x 1.50" Lg.*	
22	710-0459		Hex Bolt 3/8-24 x 1.50" Lg.—H.T.		54	712-0107		Hex Cent. L-Nut 1/4-20 Thd.	
23	10769		Blade Adapter Kit		55	734-0636		Wheel Ass'y. Comp. (7" w/Ball Bearings)†	
24	710-0117		Hex Bolt 5/16-24 x 1.00" Lg.—H.T.		56	710-0347		Axle Bolt (Used w/Ref. No. 55)†	
25	736-0119		L-Wash. 5/16" Scr.*		57	750-0434		Spacer†	
					58	741-0267		Ball Bearing 3/8" I.D.†	
					59	741-0484		Ball Bearing 1/2" I.D.†	

### †Optional Parts

\*For faster service obtain standard nuts, bolts and washers locally. If these items cannot be obtained locally, order by part number and size as shown on parts list.

(462—Red Flake)  
(463—Top Flite Red)

When ordering parts, if color or finish is important use the appropriate color code shown above. (e.g. Top Flite Red Finish—12920 (463).)

The engine is not under warranty by the mower manufacturer. If repairs or service is needed on the engine, please contact your nearest authorized engine service outlet. Check the "Yellow Pages" of your telephone book under "Engines—Gasoline."



This instruction manual covers various models and all specifications shown do not necessarily apply to your model. Specifications subject to change without notice or obligation.

# PARTS INFORMATION

## POWER EQUIPMENT PARTS AND SERVICE

Parts and service for all MTD manufactured power equipment are available through the authorized service firms listed below. All orders should specify the model number of your unit, part numbers, description of parts and the quantity of each part required.

**NOTE:** If any parts are found to be missing or defective upon assembly of this unit, write to advise the factory so that immediate replacement can be made.

<b>ALABAMA</b>	<b>BIRMINGHAM</b>
Auto Electric & Carburetor Co. . . . .	2625 4th Ave. S. . . . . 35233
<b>ARKANSAS</b>	<b>FORT SMITH</b>
Mity Mite Motors, Inc. . . . .	4515 S. 16th St. . . . . 72901
Sutton's Lawn Mower Shop . . . . .	<b>NORTH LITTLE ROCK</b>
<b>CALIFORNIA</b>	Rt. 4, Box 368 . . . . . 72117
Billious . . . . .	<b>PORTERVILLE</b>
<b>COLORADO</b>	75 North D Street . . . . . 93257
Spitzer Industrial Products Co. . . . .	<b>DENVER</b>
	6601 N. Washington St.,
	Box 29114 . . . . . 80229
<b>FLORIDA</b>	<b>JACKSONVILLE</b>
Radco Distributors . . . . .	4909 Victor St.,
	Box 5459 . . . . . 32207
Small Eng. Dist. . . . .	<b>OPA LOCKA</b>
<b>GEORGIA</b>	2351 N.W. 147th St. . . . . 33054
East Point Cycle & Key . . . . .	<b>EAST POINT</b>
<b>ILLINOIS</b>	2834 Church St. . . . . 30344
Keen Edge Co. . . . .	<b>LYONS</b>
<b>INDIANA</b>	8615 Ogden Ave. . . . . 60534
Parts & Sales Inc. . . . .	<b>ELKHART</b>
<b>IOWA</b>	2101 Industrial Pkwy. . . . . 46514
Power Lawn & Garden Equip. . . . .	<b>DUBUQUE</b>
<b>LOUISIANA</b>	2551 J.F. Kennedy . . . . . 52001
Suhren Engine Co. . . . .	<b>NEW ORLEANS</b>
<b>MARYLAND</b>	8330 Earhart Blvd. . . . . 70118
Center Supply Co. . . . .	<b>TAKOMA PARK</b>
	6867 New Hampshire
	Ave. . . . . 20012
<b>MASSACHUSETTS</b>	<b>SPRINGFIELD</b>
Morton B. Collins Co. . . . .	300 Birnie Ave. . . . . 01107
<b>MICHIGAN</b>	<b>LANSING</b>
Lorenz Service Co. . . . .	2500 S. Pennsylvania . . . . . 48910
Power Equipment Dist. . . . .	<b>MOUNT CLEMENS</b>
<b>MINNESOTA</b>	340 Hubbard . . . . . 48043
Hance Distributing Inc. . . . .	<b>HOPKINS</b>
<b>MISSISSIPPI</b>	420 Excelsior Ave. W. . . . . 55343
Biloxi Sales & Service, Inc. . . . .	<b>BILOXI</b>
<b>MISSOURI</b>	506 Caillavet St. . . . . 39533
Automotive Equip. Service . . . . .	<b>KANSAS CITY</b>
	3117 Holmes St. . . . . 64109
Ross-Frazier Supply Co. . . . .	<b>ST. JOSEPH</b>
	8th and Monterey . . . . . 64503
Henzler, Inc. . . . .	<b>ST. LOUIS</b>
<b>NEW JERSEY</b>	2015 Lemay Ferry Rd. . . . . 63125
Lawnmower Parts Inc. . . . .	<b>BELLMAWR</b>
<b>NEW MEXICO</b>	717 Creek Rd. . . . . 08030
Spitzer Eng. & Parts . . . . .	<b>ALBUQUERQUE</b>
<b>NEW YORK</b>	1023 Third St. N.W. . . . . 87103
Gamble Dist., Inc. . . . .	<b>CARTHAGE</b>
	West End Ave. . . . . 13619

## BRIGGS AND STRATTON, TECUMSEH AND PEERLESS PARTS AND SERVICE

Briggs & Stratton, Tecumseh and Peerless parts and service should be handled by your nearest authorized engine service firm. Check the yellow pages of your telephone directory under the listing **Engines—Gasoline**, Briggs & Stratton or Tecumseh Lauson.

<b>NORTH CAROLINA</b>	<b>GOLDSBORO</b>
Smith Hardware Co. . . . .	515 N. George St. . . . . 27530
Dixie Sales Company . . . . .	<b>GREENSBORO</b>
<b>OHIO</b>	335 N. Green . . . . . 27402
Stebe's Mid-State Mower Supply . . . . .	<b>CARROLL</b>
	71 High St., Box 366 . . . . . 43112
Bleckrie, Inc. . . . .	<b>CLEVELAND</b>
	7900 Lorain Ave. . . . . 44102
National Central . . . . .	<b>WADSWORTH</b>
	687 Seville Rd. . . . . 44281
Burton Supply Co. . . . .	<b>YOUNGSTOWN</b>
	1301 Logan Ave.,
	Box 929 . . . . . 44501
<b>OKLAHOMA</b>	<b>MUSKOGEE</b>
Victory Motors, Inc. . . . .	605 S. Cherokee . . . . . 74401
<b>OREGON</b>	<b>PORTLAND</b>
Kenton Supply Co. . . . .	8216 N. Denver Ave. . . . . 97217
<b>PENNSYLVANIA</b>	<b>HARRISBURG</b>
EECO Inc. . . . .	4021 N. 6th St. . . . . 17110
Thompson Rubber Co. . . . .	<b>PHILADELPHIA</b>
	5222-24 N. Fifth St. . . . . 19120
Bluemont Co. . . . .	<b>PITTSBURGH</b>
	11125 Frankstown Rd. . . . . 15235
Frank Roberts & Sons . . . . .	<b>PUNXSUTAWNEY</b>
<b>TENNESSEE</b>	R.D. 2 . . . . . 15767
Master Repair Service . . . . .	<b>KNOXVILLE</b>
	2000 Western Ave. . . . . 37921
American Sales & Service, Inc. . . . .	<b>MEMPHIS</b>
<b>TEXAS</b>	3035-43 Bellbrook . . . . . 3811
Marr Brothers, Inc. . . . .	<b>DALLAS</b>
	423 E. Jefferson . . . . . 75203
Woodson Sales Corp. . . . .	<b>FORT WORTH</b>
	1702 N. Sylvania . . . . . 76111
Bullard Supply Co. . . . .	<b>HOUSTON</b>
<b>UTAH</b>	2409 Commerce St. . . . . 77003
A-1 Engine & Mower Co. . . . .	<b>SALT LAKE CITY</b>
<b>VERMONT</b>	437 E. 9th St. . . . . 84111
Vermont Hdwe. Co. Inc. . . . .	<b>BURLINGTON</b>
<b>VIRGINIA</b>	180 Flynn Ave. . . . . 05401
RBI Corp. . . . .	<b>ASHLAND</b>
	Lake Ridge Park,
	101 Cedar Run Dr. . . . . 23005
<b>WASHINGTON</b>	<b>SEATTLE</b>
Bailey's Inc. . . . .	1414 14th Ave. . . . . 98102
<b>WEST VIRGINIA</b>	<b>CHARLESTON</b>
Young's, Inc. . . . .	233 Virginia St., E. . . . . 25301
<b>WISCONSIN</b>	<b>MARSHFIELD</b>
Power Pac . . . . .	301 E. 29th St. . . . . 54449

## WARRANTY PARTS AND SERVICE POLICY

The purpose of warranty is to protect the customer from defects in workmanship and materials, defects which are NOT detected at the time of manufacture. It does not provide for the unlimited and unrestricted replacement of parts. Use and maintenance are the responsibility of the customer. The manufacturer cannot assume responsibility for conditions over which it has no control. Simply put, if it's the manufacturer's fault, it's the manufacturer's responsibility; if it's the customer's fault, it's the customer's responsibility.

### CLAIMS AGAINST THE MANUFACTURER'S WARRANTY INCLUDES:

1. **Replacement of Missing Parts** on new equipment.
2. **Replacement of Defective Parts** within the warranty period.
3. **Repair of Defects** within the warranty period.

All claims MUST be substantiated with the following information:

1. **Model Number** of unit involved.
2. **Date** unit was purchased or first put into service.
3. **Date of failure.**
4. **Nature of failure.**

## Free Manuals Download Website

<http://myh66.com>

<http://usermanuals.us>

<http://www.somanuals.com>

<http://www.4manuals.cc>

<http://www.manual-lib.com>

<http://www.404manual.com>

<http://www.luxmanual.com>

<http://aubethermostatmanual.com>

Golf course search by state

<http://golfingnear.com>

Email search by domain

<http://emailbydomain.com>

Auto manuals search

<http://auto.somanuals.com>

TV manuals search

<http://tv.somanuals.com>