

## ROTARY MOWER

Model No. 112-200

### IMPORTANT

### SAFE OPERATION PRACTICES - WALK BEHIND MOWERS

#### TRAINING

1. Read the Operating and Service Instruction Manual carefully. Be thoroughly familiar with the controls and proper use of the equipment.
2. Never allow children to operate a power mower.
3. Keep the area of operation clear of all persons, particularly small children, and pets.

#### PREPARATION

1. Thoroughly inspect the area where the equipment is to be used and remove all stones, sticks, wire, bones and other foreign objects.
2. Do not operate equipment when barefoot or wearing open sandals. Always wear substantial footwear.
3. Check fuel before starting engine. Do not fill gasoline tank indoors, when engine is running, or while engine is still hot. Wipe off any spilled gasoline before starting engine.
4. Disengage self-propelled mechanism or drive clutch on units so equipped before starting engine (motor).
5. Never attempt to make a wheel height adjustment while engine (motor) is running.
6. Mow only in daylight or in good artificial light.
7. Never operate equipment in wet grass. Always be sure of your footing; keep a firm hold on the handle and walk; never run.

#### OPERATION

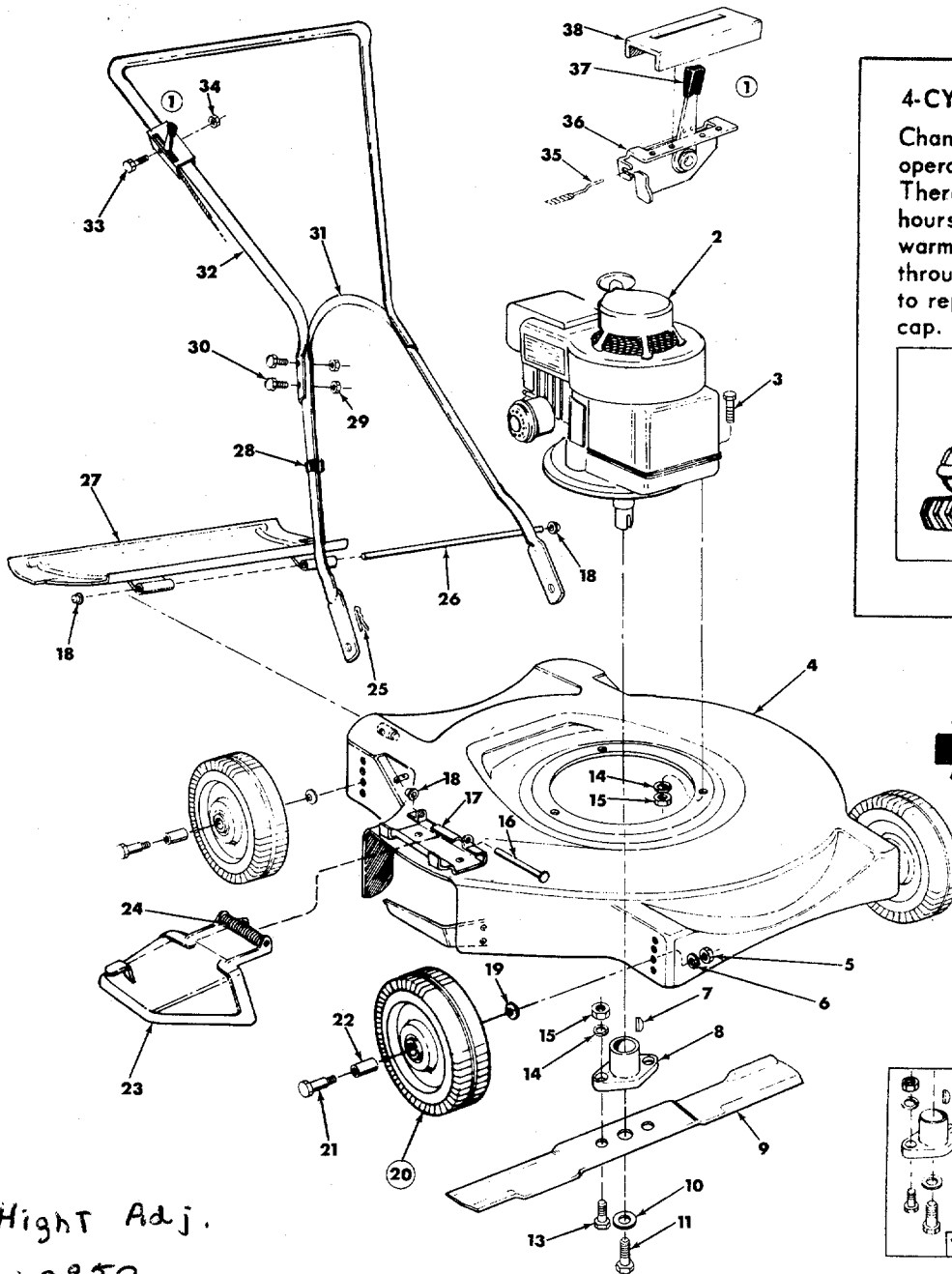
1. Do not change engine governor settings or overspeed engine.
2. Do not put hands or feet near or under rotating parts. Keep clear of discharge opening at all times.
3. Stop blade(s) when crossing gravel drive, walks or roads.
4. After striking a foreign object, stop the engine (motor), remove wire from spark plug, thoroughly inspect the mower for any damage, and repair the damage before restarting and operating the mower.

5. If the equipment should start to vibrate abnormally, stop the engine (motor) and check immediately for the cause. Vibration is generally a warning of trouble.
6. Stop engine (motor) whenever you leave the equipment, before cleaning mower housing, and when making any repairs or inspections.
7. When cleaning, repairing or inspecting, make certain blade and all moving parts have stopped. Disconnect spark plug wire and keep wire away from plug to prevent accidental starting.
8. Do not run engine (motor) indoors.
9. Shut engine (motor) off and wait until blade comes to a complete stop before removing grass catcher and/or unclogging chute.
10. Mow across the face of slopes, never up-and-down. Exercise extreme caution when changing direction on slopes. Do not mow excessively steep slopes.
11. Always disconnect electric mowers (line operated) before cleaning, repairing, or adjusting.
12. Never operate mower without proper guards, plates or other safety protective devices in place.
13. Keep washout ports and other mower housing service openings closed when mowing

#### MAINTENANCE AND STORAGE

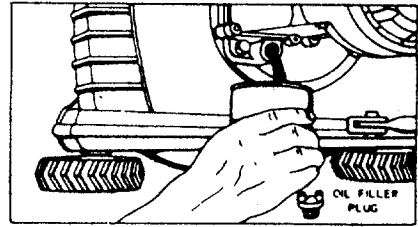
1. Check blade and engine mounting bolts at frequent intervals for proper tightness.
2. Keep all nuts, bolts, and screws tight to be sure equipment is in safe working condition.
3. Never store equipment with gasoline in the tank inside of a building where fumes may reach an open flame or spark. Allow engine to cool before storing in any enclosure.
4. To reduce fire hazard keep engine free of grass, leaves or excessive grease.
5. Check grass catcher bags frequently for wear or deterioration. Replace with new bags for safety protection.

# 112-200



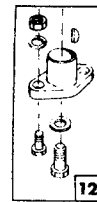
## 4-CYCLE ENGINE

Change oil after first 5 hours of operation while engine is warm. Thereafter, change oil every 25 hours of operation while engine is warm. Engine may be drained through oil filler opening. Be sure to replace drain plug and oil filler cap.



## IMPORTANT

After striking a foreign object, stop the engine (motor), remove wire from spark plug, thoroughly inspect the mower for any damage, and repair the damage before restarting and operating the mower.



Height Adj.

10950

10951

710-209

712-798

736-169

When ordering replacement parts, be sure to specify your mower model number, part number, description of part, and the number of parts required . . . Parts and service should be handled by your nearest authorized service firm as recommended by your dealer. Request for parts and service received at the factory will be forwarded to the appropriate Central Service Distributor in your area for handling.

When ordering parts give the following information:

1. MODEL NO.
2. PART NO.
3. PART NAME
4. COLOR OF PART

## PARTS LIST FOR MOWER MODEL 112-200

REF. NO.	PART NO.	DESCRIPTION
1	11609	Throttle Control Complete
2	—	Engine
3	710-158	Hex Head Cap Screw 5/16-24 x 1-1/4" Long *
4	11413	Deck Assembly
5	712-798	Hex Nut 3/8-16 Thread *
6	736-169	Spring Lock Washer 3/8 Screw *
7	714-365	Hi Pro Key No. 505
8	748-189	Blade Adapter
9	742-123	Blade - 20 inch
10	736-217	Spring Lockwasher 3/8 Screw - Heavy Duty
11	710-459	Hex Head Cap Screw 3/8-24 x 1-1/2" Long - Heat Treated
12	10769	Blade Adapter Kit
13	710-117	Hex Head Cap Screw 5/16-24 x 1" Long - Heat Treated
14	736-119	Spring Lock Washer 5/16 Screw *
15	712-123	Hex Nut 5/16-24 Thread *
16	711-555	Pivot Pin
17	11130	Adapter Plate
18	726-106	Push-on Flange Palnut
19	736-105	Belleville Washer
20	506-9392	Wheel Assembly - Complete
21	738-213	Axle Bolt
22	305-7006	Fortiflex Bearing
23	11148	Chute Deflector
24	732-253	Torsion Spring
25	714-507	Cotter Pin
26	11144	Hinge Rod
27	11160	Protective Shield
28	746-145	Cable Clip
29	712-107	Hex Center Lock Nut 1/4-20 Thread
30	710-106	Hex Head Cap Screw 1/4-20 x 1-1/4 Long *
31	312-7039	Lower Handle
32	312-7584	Upper Handle
33	710-606	Hex Head Cap Screw 1/4-20 x 1-1/2" Long *
34	712-107	Hex Center Lock Nut 1/4-20 Thread
35	732-141	Conduit and Wire
36	11603	Throttle Control-Bracket Assembly
37	305-7470	Throttle Control-Knob
38	731-180	Throttle Control-Cover

\* For faster service obtain standard nuts, bolts, and washers locally. If these items cannot be obtained locally, order by part number and size as shown on parts list.

**437 - FLAG RED** - When ordering parts, if color or finish is important, use the appropriate color code shown above. (i.e. - Flag Red Finish . . . 11413 (437).)

The engine is not under warranty by the mower manufacturer.

If repairs or service is needed on the engine, please contact your nearest authorized engine service outlet. Check the "Yellow Pages" of your telephone book under "Engines - Gasoline."



## ASSEMBLY

Your new mower is shipped preassembled with the exception of the handle.

1. Remove lawn mower and all parts from the carton. Make certain that all loose parts and literature have been removed before the carton is discarded.
2. Extend throttle control assembly which is attached to engine at the rear of the mower and place on the floor. **CAUTION:** Do not bend or kink control wires.
3. Assemble the upper and lower handle parts with cap screws and locknuts provided in parts bag. Use the longer (yellow) screw to attach throttle control.
4. Holes at the bottom of the lower handle are to be fitted over studs located in front of each rear wheel mounting position.
5. Secure throttle control wire to lower right handle with cable clips.
6. Check blade bolts for proper tightness.

## OPERATION

For shipping purposes, the wheels on your mower are generally set in the upper mounting holes. Relocating the wheels to the second holes from the bottom will give better mowing results in most cases. When changing wheel positions, be sure Belleville washers are assembled properly. (See cutting height instructions.)

1. Service engine with gas and oil. See engine manual packed with lawn mower for complete instructions for the care and maintenance of engine. **READ DIRECTIONS CAREFULLY.**
2. When ready to start engine, place throttle control lever on handle in "START" position and start engine in accordance with instructions in engine manual. After engine starts, move throttle control lever on handle to desired engine speed. The engine is stopped by placing control lever on handle in the "STOP" position.
3. Be sure that lawn is clear of stones, sticks, wire or other objects which could damage lawn mower or engine. For best results and to insure more even grass distribution, do not mow when lawn is excessively wet.

## ADJUSTMENTS

**CAUTION:** Do not at any time make any adjustment to lawn mower without first stopping engine and disconnecting spark plug wire.

### CUTTING HEIGHT

Adjustment may be made by removing and moving wheel studs to desired position. Cutting heights will be raised as wheel studs are moved to a lower hole and lowered as wheel studs are moved to a higher hole in the deck. All wheel studs must be mounted in a relative position to the deck.

### THROTTLE

If adjustment becomes necessary, the throttle control wire assembly can be reset as follows:

1. Loosen, but do not remove, screw securing throttle control wire assembly at engine.
2. Move throttle control lever on handle to "Fast" position.
3. Move lever, to which control wire is fastened at engine, to full open position and retighten screw to secure throttle control wire assembly.

## LUBRICATION

**IMPORTANT:** Always stop engine and disconnect spark plug wire before cleaning, lubricating or doing any kind of work on lawn mower.

**PROTECTIVE SHIELD** – The pivot points on the protective shield should be lubricated periodically with light oil to prevent any rust or binding.

**CHUTE DEFLECTOR** – The torsion spring and pivot point should be lubricated periodically with light oil to prevent any rust or binding. Deflector must work freely.

**WHEELS** – Wheel bearings are of lifetime Fortiflex. They require no lubrication.

**THROTTLE** – Periodically lubricate throttle control lever and throttle wire assembly with a few drops of light oil (S.A.E. No. 10 or 20) for ease of operation.

**ENGINE** – Follow engine manual for lubrication instructions.

## MAINTENANCE

**CUTTING BLADE** – The blade may easily be removed for grinding or replacement as follows:

1. Remove bolt and lock washer holding blade and blade adapter to engine crankshaft.
2. Remove blade and blade adapter from engine crankshaft.
3. Remove two bolts, lock washers and nuts holding blade to blade adapter (if necessary).

When sharpening blade, follow the original angle of grind as a guide. It is extremely important that each cutting edge receives an equal amount of grinding to prevent an unbalanced blade. An unbalanced blade will cause excessive vibration when rotating at high speeds and may cause damage to the mower.

Upon reassembly, make certain all parts are assembled properly and tightened securely.

**DECK** – The underside of mower deck should be cleaned after each period of use as grass clippings, leaves, dirt and other matter will accumulate. This accumulation of grass clippings, etc., is undesirable as it will invite rust and corrosion and may cause an uneven discharge of grass clippings at the next cutting.

The deck may be cleaned by tilting the mower forward or on its left side and scraping clean with a suitable tool or by washing with a stream of water from a garden hose. **CAUTION:** Do not direct the stream of water at a hot engine as damage to the engine may result.

**STORAGE** – The following steps should be taken to prepare lawn mower for storage.

1. Clean and lubricate mower thoroughly as described in the preceding instructions.
2. Refer to engine manual for correct engine storage instructions.
3. Coat mower's cutting blade with chassis grease to prevent rusting.
4. Place blocks under deck to raise tires clear of floor.
5. Store mower in a dry, clean area.

## USING YOUR ROTARY MOWER

For the best results do not cut wet grass because it tends to stick to the underside of the mower, thus preventing proper discharge of grass clippings. If wet grass must be cut, reduce engine speed and walking speed to help distribute the clippings more effectively.

New grass should be treated as wet grass, otherwise a normal walking speed is about the right pace for efficient mowing. The best mowing pattern is one that allows the clippings to discharge towards the uncut part of the lawn. This permits recutting of the clippings to further pulverize them. When cutting high weeds, discharge towards cut portion then recut at right angles to first direction.

Lawn should be cut in the fall as long as there is growth.

GRASS CATCHER Model No. 192-003 is available as optional equipment for the mower shown in this manual.

**WARNING:**

1. The mower should not be operated without the entire grass catcher or chute deflector in place.
2. The mower should not be operated without the protective shield on the rear of the deck in place.

**NOTE:**

Under normal usage bag material is subject to wear, and should be checked periodically. Be sure any replacement bag complies with the mower manufacturer's recommendations.

For replacement bags, use only factory authorized replacement bag No. 764-119.

## WARRANTY

For one year from date of purchase, MTD Products Inc will replace for the original purchaser, free of charge, F.O.B. factory or authorized service firm, any part or parts found to be defective in material or workmanship. All transportation charges on parts submitted for replacement under this warranty must be paid by the purchaser. This warranty does not include replacement of parts which become inoperative through misuse, excessive use, accident, neglect, improper maintenance or alterations by unauthorized persons. This warranty does not include the engine, motor, battery, battery charger or any component parts thereof. For service on these units refer to the applicable manufacturer's warranty.

The above warranty will apply only to the original owner and will be effective only if the warranty card has been properly processed. It will not apply where the unit has been used commercially.

Warranty service is available through your local authorized service dealer or distributor. **UNDER NO CIRCUMSTANCES WILL THE RETURN OF A COMPLETE UNIT BE ACCEPTED BY THE FACTORY UNLESS PRIOR WRITTEN PERMISSION HAS BEEN EXTENDED.**

# PARTS INFORMATION

## MOWER, TILLER, SNOW THROWER AND TRACTOR PARTS

Mower, tiller, snow thrower and tractor parts are available through the authorized service firms listed below. All orders should specify the model number of your unit, parts numbers, description of parts and the quantity of each part required.

## ENGINE PARTS AND SERVICE

Engine parts and service should be handled by your nearest authorized engine service firm. Check the yellow pages of your telephone directory under the listing *Engines - Gasoline*, Briggs and Stratton or Tecumseh Lauson - Power Products.

**A 1 Engine & Mower Co.**  
327 East 9th Street  
Salt Lake City, Utah 84102

**American Electric Ignition Co.**  
124 N. W. 8th Street  
Oklahoma City, Oklahoma 73102

**Auto Electric & Carburetor Co.**  
2625 4th Avenue, S.  
P. O. Box 1948  
Birmingham, Alabama 35233

**Automotive Equipment Service Co.**  
3117 Holmes Street  
Kansas City, Missouri 64109

**Bailey's Rebuild Inc.**  
1325 E. Madison Street  
Seattle, Washington 98102

**Brown Equipment Distributor Inc.**  
110 Beech Street  
Corydon, Indiana 47112

**Bullard Supply**  
2409 Commerce Street  
Houston, Texas 77003

**Center Supply Company**  
6867 New Hampshire Avenue  
Takoma Park, Maryland 20012

**R. T. Clapp Co.**  
2016 Magnolia Ave., N. E.  
Knoxville, Tennessee 37917

**W. B. Clements**  
400 Salem Avenue  
Roanoke, Virginia 24016

**Morton B. Collins Co.**  
300 Birnie Avenue  
Springfield, Massachusetts 01107

**Dixie Sales Company**  
P. O. Box 1408  
327 Battleground Avenue  
Greensboro, North Carolina 27402

**East Point Cycle & Key Shop**  
1617 Whiteway  
East Point, Georgia 30044

**Gamble Distributors**  
West End Avenue  
Carthage, New York 13619

**Garden Equipment Co., Inc.**  
6600 Cherry Avenue  
Long Beach, California 90805

**Henzler, Inc.**  
2015 Lemay Ferry Road  
St. Louis, Missouri 63125

**Frank E. Ives & Son**  
1101 Lincoln Avenue  
Prospect Park, Pennsylvania 19076

**J. W. Jewett Co.**  
981 Folsom Street  
San Francisco, California 94107

**Kenton Supply**  
8216 North Denver Avenue  
Portland, Oregon 97217

**Kimber's Inc.**  
615 W. Genesee Street  
Syracuse, New York 13204

**Marr Brothers**  
423 E. Jefferson  
Dallas, Texas 75203

**Mathews Auto Electric Co.**  
420 East 2nd Street  
Tulsa, Oklahoma 74120

**McClure Lawn & Garden Supply**  
1114 Lexington Avenue  
Mansfield, Ohio 44907

**Memphis Cycle & Supply Co.**  
421 Monroe Avenue  
Memphis, Tennessee 38103

**Moz-All of Florida, Inc.**  
365 Greco Avenue  
Coral Gables, Florida 33146

**National Central, Div. of  
Joe Sterling, Inc.**  
Drawer "D" 687 Seville Rd.  
Wadsworth, Ohio 44281

**Power Equipment Distributor**  
36463 So. Gratiot Avenue  
Mt. Clemens, Michigan 48043

**Parts & Sales Inc.**  
335 West St. Charles Road  
Villa Park, Illinois 60181

**Power Lawn & Garden Equip. Co.**  
2551-2571 J. F. Kennedy Road  
Dubuque, Iowa 52001

**Raub Supply Company**  
James & Mulberry Sts.  
Lancaster, Pennsylvania 17604

**Radco Distributors**  
2403 Market Street  
P. O. Box 3216  
Jacksonville, Florida 32206

**Richmond Battery & Ignition**  
P. O. Box 25369 - 957 Myers St.  
Richmond, Virginia 23260

**Smith Hardware Company**  
515 N. George Street  
Goldsboro, North Carolina 27530

**South Denver Lawn Equip. Co.**  
527 West Evans  
Denver, Colorado 80223

**Suhren Engine**  
8330 Earhart Blvd.  
New Orleans, Louisiana 70118

**Sutton's Lawn Mower Shop**  
Route 4, Box 343  
North Little Rock, Arkansas 72117

**Warner Equipment**  
7520 Lyndale Avenue, So.  
Minneapolis, Minnesota 55423

## Free Manuals Download Website

<http://myh66.com>

<http://usermanuals.us>

<http://www.somanuals.com>

<http://www.4manuals.cc>

<http://www.manual-lib.com>

<http://www.404manual.com>

<http://www.luxmanual.com>

<http://aubethermostatmanual.com>

Golf course search by state

<http://golfingnear.com>

Email search by domain

<http://emailbydomain.com>

Auto manuals search

<http://auto.somanuals.com>

TV manuals search

<http://tv.somanuals.com>