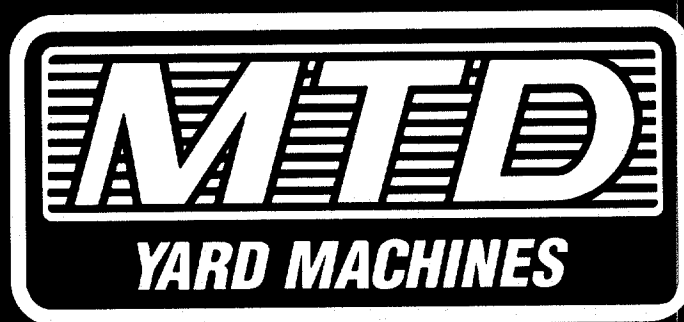


ILLUSTRATED PARTS

AMERICAN  AMERICAN
M A D E O W N E D
OUTDOOR POWER EQUIPMENT



1996

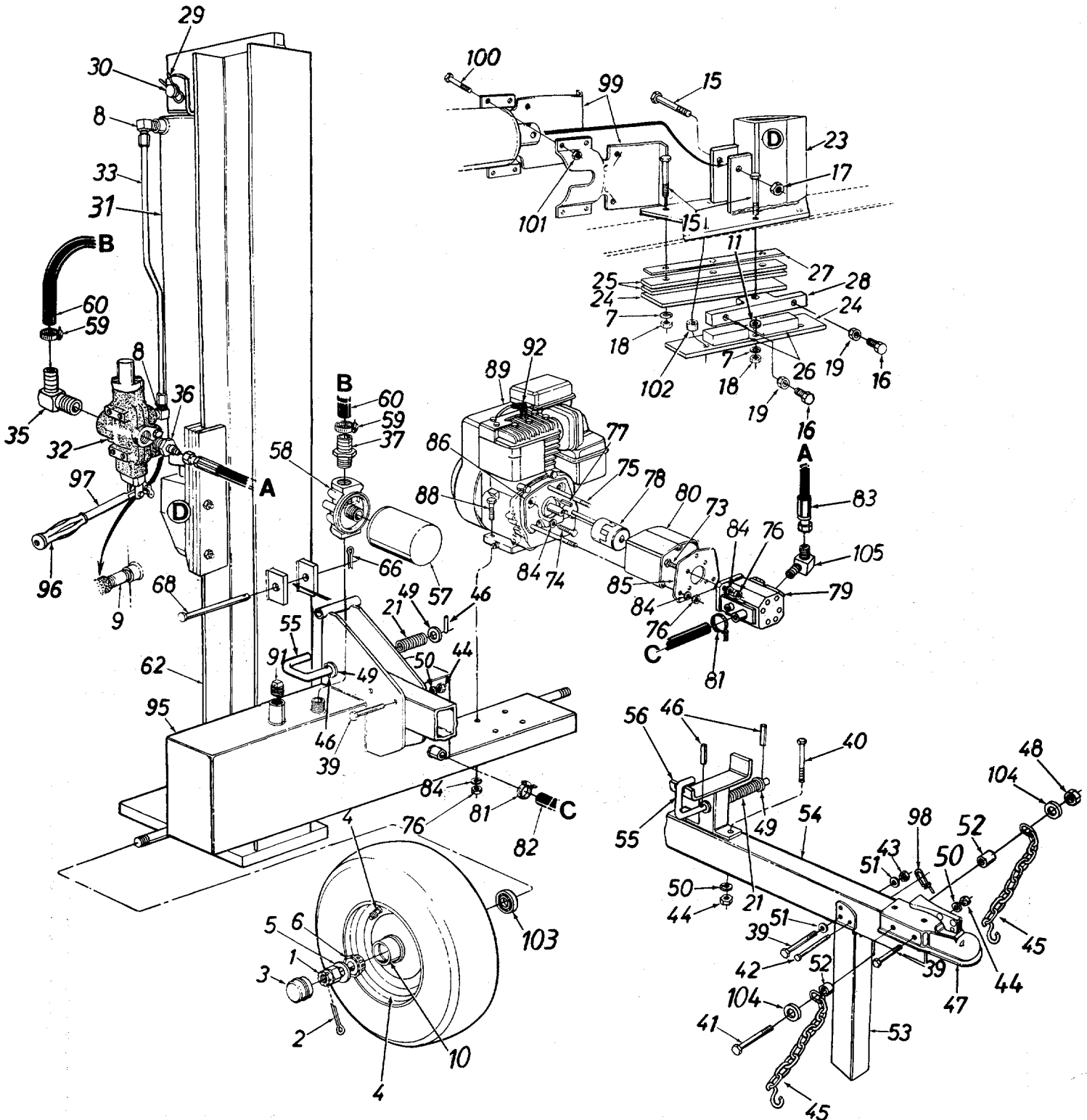
LOG SPLITTERS

Model Number	Pages
246-630-000.....	2, 3
246-631-000.....	2, 3
246-634-000.....	2, 3
246-635-000.....	4, 5
246-636-000.....	4, 5
246-637-000.....	4, 5
246-638-000.....	6, 7

MTD PRODUCTS INC • P.O. BOX 368022 • CLEVELAND, OHIO 44136-9722

FORM NO. 770-96-7B

Models 630, 631 and 634



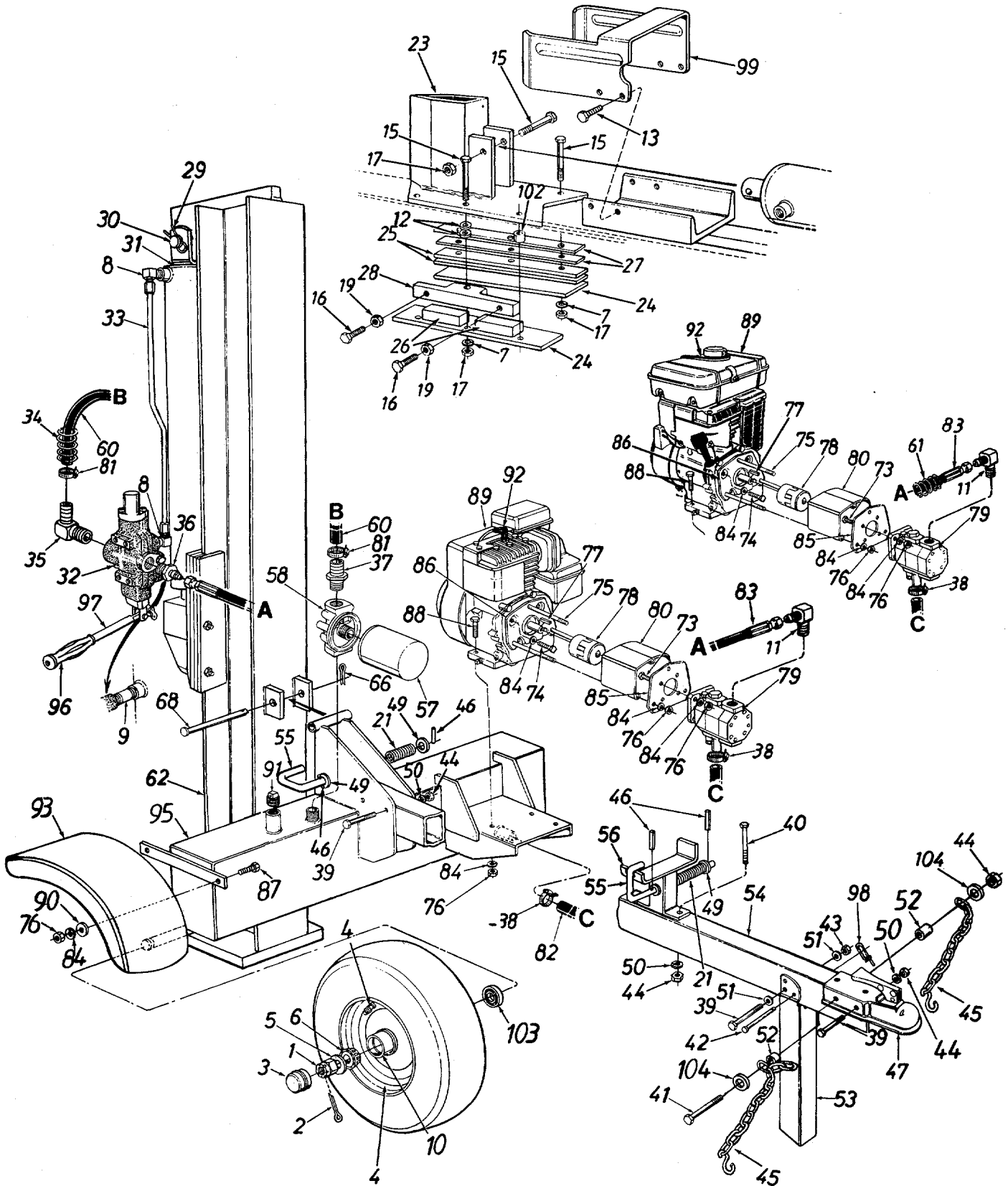
Models 630, 631 and 634

PARTS LIST FOR MODELS 630, 631 AND 634 LOG SPLITTERS

REF. NO.	PART NO.	CODE	DESCRIPTION	REF. NO.	PART NO.	CODE	DESCRIPTION
1	712-0359		Slotted Nut 3/4-16 Thd.	46	715-0116		Roll Pin
2	714-0162		Cotter Pin 5/32" Dia. x 1-1/4" Lg.	47	727-0311		Hitch Coupler
3	734-0873		Hub Cap	48	712-3000		Hex Ctr. L-Nut 3/8-16 Thd.
4	734-1016		Wheel Ass'y. Comp.	49	736-0116		FI-Wash. .635" I.D. x .93" O.D.
	734-0872		Tire Only	50	736-0169		L-Wash. 3/8" I.D.*
	734-1017		Rim Only	51	736-0185		FI-Wash. .406" I.D. x .75" O.D.
	721-0168		Bearing Seal Only	52	750-0507		Spacer 3/8" I.D. x .625" O.D.
	734-0255		Air Valve Only	53	781-0162		Jack Stand
5	736-0351		FI-Wash. .76" I.D. x 1.5" O.D.	54	781-0399		Tongue Tube
6	741-3028		Bearing Cone	55	781-0370A		Locking Rod
7	736-0921		L-Wash. 1/2" I.D.*	56	781-0398		Beam Support Ass'y.
8	737-0192		90° Solid Male Adapter	57	723-0405		Filter Element
9	737-0238		Pipe Nipple 1/2 NPT	58	723-0406		Filter Head
10	741-3029		Bearing Cup	59	726-0132		Hose Clamp 5/8"
11	736-0192		FI-Wash. .531" I.D. x .94" O.D.	60	727-0443		Return Hose 3/4" I.D. x 44" Lg.
15	710-1018		Hex Bolt 1/2-20 x 2.75" Lg. (Grade 8)	62	781-0404A		Vertical Beam Ass'y.
				66	714-0470		Cotter Pin 1/8" Dia.
16	710-1032		Hex Bolt 3/8-24 x 1.5" Lg.	68	738-0805		Hinge Pin 1/2 x 4.8" Lg.
17	712-0239		Hex L-Nut 1/2-20 Thd.	73	710-0117		Hex Bolt 5/16-24 x 1" Lg.
18	712-0333		Hex Nut 1/2-20 Thd.	74	710-0237		Hex Bolt 5/16-24 x .62" Lg.
19	712-3001		Hex Jam Nut 3/8-24 Thd. (Grade 5)	75	710-0363		Hex Bolt 5/16-24 x 4" Lg.
				76	712-0123		Hex Nut 5/16-24 Thd.
21	732-0583		Comp. Spring 4" Lg.	77	714-0122		Sq.-Key 3/16" x .75"
23	781-0323B		Wedge Ass'y.	78	717-0891		Flexible Coupling
24	781-0537		Back Plate	79	717-0936		Gear Pump
25	781-0350A		Fixed Side Gib	80	719-0278		Coupling Shield
26	781-0351		Adjustable Gib	81	726-0174		Hose Clamp
27	781-0352A		Adjustable Gib Shim	82	727-0641		Suction Hose
28	781-0356		Floating Gib Plate	83	727-0452		High Pressure Hydraulic Hose
29	714-0203		External Cotter Pin	84	736-0119		L-Wash. 5/16" I.D.*
30	715-0216		Cylinder Mounting Pin	85	781-0097		Rear Coupling Support Brkt.
31	718-0245		Hydraulic Cylinder (630 & 634)	86	781-0098		Front Coupling Support Brkt.
	718-0262		Hydraulic Cylinder (631)	88	710-0409		Hex Bolt 5/16-24 x 1.75" Lg.
32	717-0899		Control Valve	89	—		Engine
33	727-0323		Metal Pressure Tube	91	737-0236		L-Vent Pipe Plug
35	737-0153		Return Elbow	92	735-0639		Spark Plug Boot
36	737-0279		Adapter	95	781-0501B	N	Tank Ass'y.
37	737-0235		3/4" Hose Barb.	96	720-0235		Grip
39	710-3066		Hex Bolt 3/8-16 x 2.75" Lg. (Grade 8)	97	747-0583		Control Handle
				98	732-0194		Spring Pin
40	710-0411		Hex Bolt 3/8-16 x 4" Lg.	99	781-0168A		Stripper Plate
41	710-3080		Hex Bolt 3/8-16 x 4" Lg. (Grade 5)	100	710-3144		Hex Bolt 3/8-16 x 2.0" Lg. (Gr. 5)
				101	712-0430		Hex L-Nut 3/8-16 Thd.
42	711-0813		Clevis Pin 5/16 x 2.5" Lg.	102	750-0743		Spacer 1/2" I.D. x .68" Lg.
43	712-0375		Hex L-Nut 3/8-16 Thd.	103	721-0168		Bearing Seal Only
44	712-0798		Hex Nut 3/8-16 Thd.*	104	736-0262		FI-Wash. 3/8" I.D. x .87" O.D.
45	713-0433		Chain—Tow Hitch	105	737-0265		90° Male Adapter

*For faster service obtain standard nuts, bolts and washers locally.
If these items cannot be obtained locally, order by part number
and size as shown on parts list.

Models 635, 636 and 637



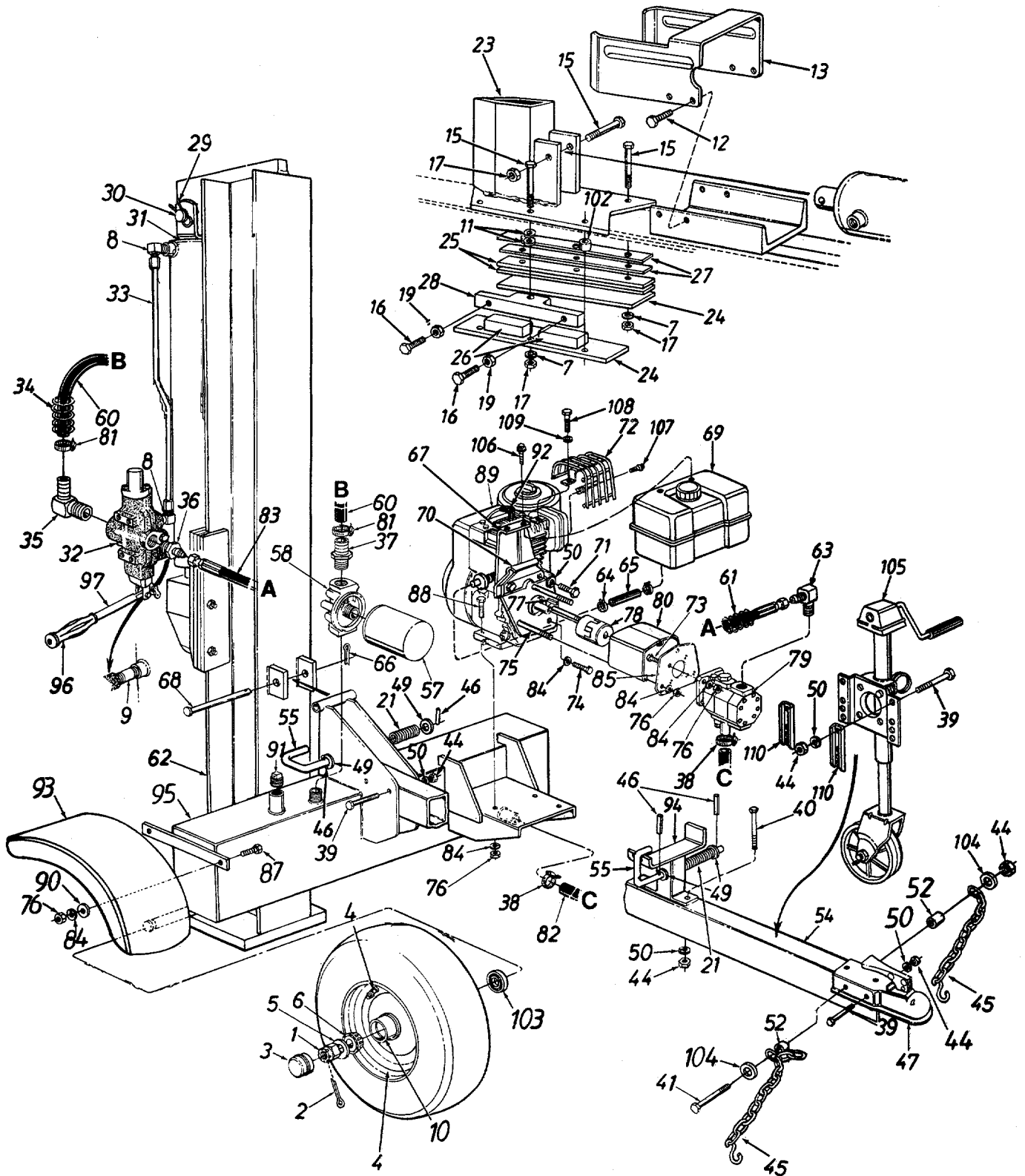
Models 635, 636 and 637

PARTS LIST FOR MODELS 635, 636 AND 637 LOG SPLITTERS

REF. NO.	PART NO.	CODE	DESCRIPTION	REF. NO.	PART NO.	CODE	DESCRIPTION
1	712-0359		Slotted Nut 3/4-16 Thd.	46	715-0116		Roll Pin
2	714-0162		Cotter Pin 5/32" Dia.	47	727-0311		Hitch Coupler
3	734-0873		Hub Cap	49	736-0116		FI-Wash. .635" I.D. x .93" O.D.
4	734-1016		Wheel Ass'y. Comp.	50	736-0169		L-Wash. 3/8" I.D.*
	734-0872		Tire Only	51	736-0185		FI-Wash. .406" I.D. x .75" O.D.
	734-1017		Rim Only	52	750-0497		Spacer .44" Lg.
	734-0255		Air Valve Only	53	781-0162		Jack Stand
5	736-0351		FI-Wash. .76" I.D. x 1.5" O.D.	54	781-0399		Tongue Tube
6	741-3028		Bearing Cone	55	781-0370A		Locking Rod
7	736-0921		L-Wash. 1/2" I.D.*	56	781-0398		Beam Support Ass'y.
8	737-0192		90° Solid Male Adapter	57	723-0405		Filter Element
9	737-0238		Pipe Nipple 1/2 NPT	58	723-0406		Filter Head
10	741-3029		Bearing Cup	60	727-0443		Return Hose 3/4" I.D. x 44" Lg.
11	737-0265		90° Male Adapter	61	781-0538		Hose Guard (637)
12	736-0192		FI-Wash. .531" I.D. x .94" O.D.	62	681-0014		Vertical Beam Ass'y.
13	710-0514		Hex Cap Scr. 3/8-16 x 1" Lg.	66	714-0470		Cotter Pin 1/8" Dia.
15	710-1018		Hex Bolt 1/2-20 x 2.75" Lg. (Grade 8)	68	738-0805		Hinge Pin 1/2 x 4.8" Lg.
				73	710-0117		Hex Bolt 5/16-24 x 1" Lg.
16	710-1032		Hex Bolt 3/8-24 x 1.5" Lg.	74	710-0237		Hex Bolt 5/16-24 x .62" Lg.
17	712-0239		Hex L-Nut 1/2-20 Thd.	75	710-0363		Hex Bolt 5/16-24 x 4" Lg.
19	712-3001		Hex Jam Nut 3/8-24 Thd. (Grade 5)	76	712-0123		Hex Nut 5/16-24 Thd.
				77	714-0122		Sq. Key 3/16" x .75"
21	732-0583		Comp. Spring 4" Lg.	78	717-0891		Flexible Coupling
23	781-0323B		Wedge Ass'y.	79	717-0936		Gear Pump
24	781-0537		Back Plate	80	719-0278		Coupling Shield
25	781-0350A		Fixed Side Gib	81	726-0132		Hose Clamp 5/8"
26	781-0351		Adjustable Gib	82	727-0451		Suction Hose
27	781-0352A		Adjustable Gib Shim	83	727-0452		High Pressure Hydraulic Hose 48"
28	781-0356		Floating Gib Plate				
29	714-0203		External Cotter Pin	84	736-0119		L-Wash. 5/16" I.D.*
30	715-0216		Cylinder Mounting Pin	85	781-0097		Rear Coupling Support Brkt.
31	718-0246		Hydraulic Cylinder	86	781-0098		Front Coupling Support Brkt.
32	717-0899		Control Valve	87	710-0157		Hex Bolt 5/16-24 x .75" Lg.
33	727-0323		Metal Pressure Tube	88	710-0409		Hex Bolt 5/16-24 x 1.75" Lg.
34	781-0526		Hose Guard (637)	89	—		Engine
35	737-0153		Return Elbow	90	736-0159		FI-Wash. .344" I.D. x .875" O.D.
36	737-0279		Adapter	91	737-0236		L-Vent Pipe Plug
37	737-0235		3/4" Hose Barb.	92	735-0639		Spark Plug Boot (Optional)
38	726-0174		Hose Clamp	93	781-0556		Fender (Optional)
39	710-0521		Hex Bolt 3/8-16 x 3" Lg. (Grade 8)	95	681-0011A	N	Frame Weldment (635 & 637)
					681-0085	N	Frame Weldment (636)
40	710-0411		Hex Bolt 3/8-16 x 4" Lg.	96	720-0235		Grip
41	710-0944		Hex Bolt 3/8-16 x 4.25" Lg. (Grade 5)	97	747-0583		Control Handle
				98	732-0194		Spring Pin
42	711-0813		Clevis Pin 5/16 x 2.5" Lg.	99	781-0525		Dislodger
43	712-0375		Hex L-Nut 3/8-16 Thd.	102	750-0750		Spacer 1/2" I.D. x .86" Lg.
44	712-0798		Hex Nut 3/8-16 Thd.	103	721-0168		Bearing Seal Only
45	713-0433		Chain—Tow Hitch	104	736-0262		FI-Wash. 3/8" I.D. x .87" O.D.

*For faster service obtain standard nuts, bolts and washers locally.
If these items cannot be obtained locally, order by part number
and size as shown on parts list.

Model 638



Model 638

PARTS LIST FOR MODEL 638 LOG SPLITTER

REF. NO.	PART NO.	CODE	DESCRIPTION	REF. NO.	PART NO.	CODE	DESCRIPTION
1	712-0359		Slotted Nut 3/4-16 Thd.	55	781-0370A		Locking Rod
2	714-0162		Cotter Pin 5/32" Dia.	57	723-0405		Filter Element
3	734-0873		Hub Cap	58	723-0406		Filter Head
4	734-1016		Wheel Ass'y. Comp.	60	727-0443		Return Hose 3/4" I.D. x 44" Lg.
	734-0872		Tire Only	61	781-0538		Hose Guard
	734-1017		Rim Only	62	681-0014		Vertical Beam Weldment
	734-0255		Air Valve Only	63	737-0264		90° Adapter (Male)
5	736-0351		FI-Wash. .76" I.D. x 1.5" O.D.	64	726-0199		Hose Clamp .37" Dia.
6	741-0328		Bearing Cone	65	751-0535-15		Fuel Line (6" Lg.)
7	736-0921		L-Wash. 1/2" I.D.*	66	714-0470		Cotter Pin 1/8" Dia.
8	737-0192		90° Solid Male Adapter	67	781-0535		Tank Mtg. Brkt.
9	737-0238		Pipe Nipple 1/2 NPT	68	738-0805		Hinge Pin 1/2 x 4.8" Lg.
10	741-3029		Bearing Cup	69	751-0570		Fuel Tank Ass'y.
11	736-0192		FI-Wash. .531" I.D. x .94" O.D.	70	781-0536		Support Brkt.
12	710-0514		Hex Cap Scr. 3/8-16 x 1" Lg.	71	710-0253		Hex Bolt 3/8-16 x 1" Lg.
13	781-0525		Dislodger	72	751-0580		Muffler Guard
15	710-1018		Hex Bolt 1/2-20 x 2.75" Lg. (Grade 8)	73	710-0117		Hex Bolt 5/16-24 x 1" Lg.
				74	710-0237		Hex Bolt 5/16-24 x .62" Lg.
16	710-1032		Hex Bolt 3/8-24 x 1.5" Lg.	75	710-1253		Hex Bolt 5/16-24 x 5.25" Lg.
17	712-0239		Hex L-Nut 1/2-20 Thd.	76	712-0123		Hex Nut 5/16-24 Thd.
19	712-3001		Hex Jam Nut 3/8-24 Thd. (Grade 5)	77	714-0114		Sq.-Key 1/4" x 2" Lg.
				78	717-0462		Flexible Coupling
21	732-0583		Comp. Spring 4" Lg.	79	718-0248		Gear Pump
23	781-0323B		Wedge Ass'y.	80	719-0315		Coupling Shield
24	781-0537		Back Plate	81	726-0132		Hose Clamp 5/8"
25	781-0350A		Fixed Side Gib	82	727-0451		Suction Hose 1" I.D.
26	781-0351		Adjustable Gib	83	727-0452		High Pressure Hydraulic Hose 48"
27	781-0352A		Adjustable Gib Shim				
28	781-0356		Floating Gib Plate	84	736-0119		L-Wash. 5/16" I.D.*
29	714-0203		External Cotter Pin	85	781-0097		Rear Coupling Support Brkt.
30	715-0216		Cylinder Mounting Pin	87	710-0157		Hex Bolt 5/16-24 x .75" Lg.
31	718-0247		Hydraulic Cylinder	88	710-0409		Hex Bolt 5/16-24 x 1.75" Lg.
32	717-0899		Control Valve	89	—		Engine
33	727-0323		Metal Pressure Tube	90	736-0159		FI-Wash. .344" I.D. x .875" O.D.
34	781-0526		Hose Guard	91	737-0236		L-Vent Pipe Plug
35	737-0153		Return Elbow	92	735-0639		Spark Plug Boot (Optional)
36	737-0279		Adapter	93	781-0556		Fender
37	737-0235		3/4" Hose Barb.	94	681-0008		Support Ass'y.
38	726-0174		Hose Clamp 1.5" O.D.	95	681-0011A	N	Frame Weldment
39	710-0521		Hex Bolt 3/8-16 x 3" Lg. (Grade 8)	96	720-0235		Grip
				97	747-0583		Control Handle
40	710-3153		Hex Bolt 3/8-16 x 4.75" Lg.	102	750-0750		Spacer 1/2" I.D. x .86" Lg.
41	710-0944		Hex Bolt 3/8-16 x 4.25" Lg.	103	721-0168		Bearing Seal Only
44	712-0798		Hex Nut 3/8-16 Thd.	104	736-0262		FI-Wash. 3/8" I.D. x .87" O.D.
45	713-0433		Chain—Tow Hitch	105	681-0006		Jack Stand
46	715-0116		Roll Pin	106	710-0895		Hex AB-Tap Scr. 1/4 x 3/4" Lg.
47	727-0311		Hitch Coupler	107	710-0200		Hex Wash. Hd. Scr. #8 x .5" Lg.
49	736-0116		FI-Wash. .635" I.D. x .93" O.D.	108	710-0289		Hex Bolt 1/4-20 x .5" Lg.*
50	736-0169		L-Wash. 3/8" I.D.*	109	736-0142		FI-Wash. .25" I.D. x .5" O.D.
52	750-0497		Spacer .445" Lg.	110	781-0558		Jack Stand Brkt.
54	781-0368A		Tongue Tube				

*For faster service obtain standard nuts, bolts and washers locally.
If these items cannot be obtained locally, order by part number
and size as shown on parts list.

Free Manuals Download Website

<http://myh66.com>

<http://usermanuals.us>

<http://www.somanuals.com>

<http://www.4manuals.cc>

<http://www.manual-lib.com>

<http://www.404manual.com>

<http://www.luxmanual.com>

<http://aubethermostatmanual.com>

Golf course search by state

<http://golfingnear.com>

Email search by domain

<http://emailbydomain.com>

Auto manuals search

<http://auto.somanuals.com>

TV manuals search

<http://tv.somanuals.com>