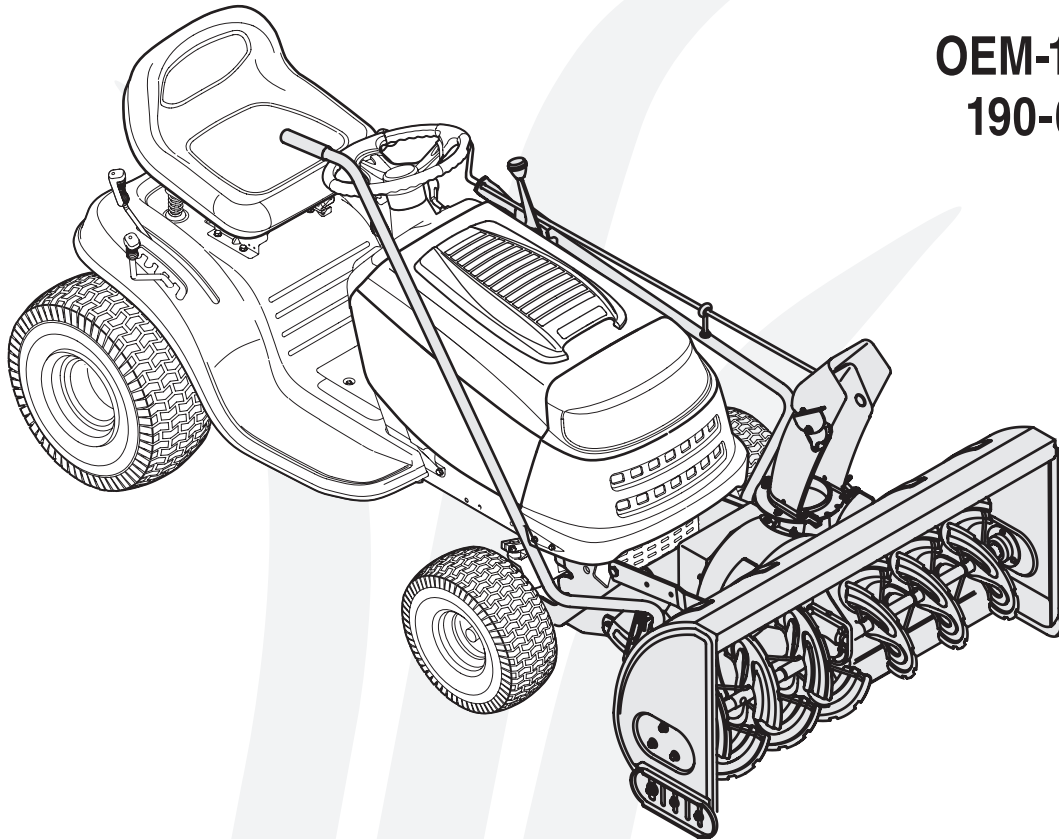


# OPERATOR'S MANUAL

Model  
OEM-190-032  
190-032-101



## 42-inch Two-Stage Snow Thrower Attachment For FastAttach™ Compatible Lawn Tractors & Garden Tractors

**This Operator's Manual is an important part of your snow thrower attachment. It will help you assemble, prepare and maintain the unit for best performance. Please read and understand what it says.**

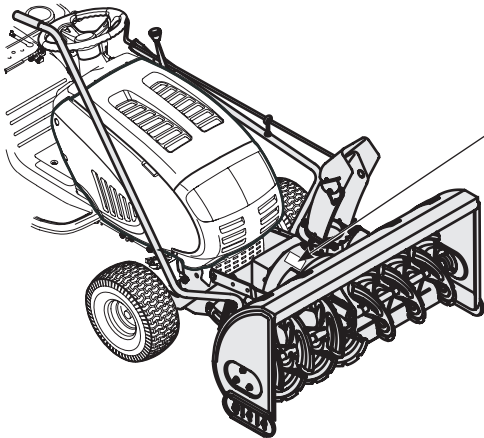
## TABLE OF CONTENTS

1. Rider Model Identification .....	Page 3	9. Controls .....	Page 20
2. Snow Thrower Attachment Safety .....	Page 4-5	10. Operation .....	Page 21
3. Carton Contents .....	Page 6-7	11. Adjustments .....	Page 22
4. Assembly Models 600-649 & 800 Series .....	Page 8-13	12. Maintenance .....	Page 23
5. Assembly All Model 700 Series .....	Page 14-15	13. Parts List.....	Page 24-29
6. Attaching Controls .....	Page 16	13. Notes .....	Page 30-31
7. Attaching Auger Housing .....	Page 17	Warranty .....	Page 32
8. Routing Upper & Lower Drive Belts .....	Page 18-19		

## Finding and Recording Model Number

### BEFORE YOU START ASSEMBLING YOUR NEW EQUIPMENT,

please locate the model plate and copy the information from it in this Operator's Manual for future reference. The information on the model plate is very important if you need help from our Customer Support Department or your authorized dealer. You can locate it by looking on the top rear portion of the auger housing:



**Model Number**

**Serial Number**



MTD LLC  
P.O. BOX 361131  
CLEVELAND, OH 44136  
**330-220-4683**  
**800-800-7310**

\*Locate the model plate on your snow thrower attachment and copy the information from it in the space provided above for future reference.

## Customer Support

**Please do *NOT* return the unit to the retailer from which it was purchased, without first contacting Customer Support.**

If you have difficulty assembling this product or have any questions regarding the controls, operation, or maintenance of this unit, you can seek help from the experts. Choose from the options below:

- Visit [www.mtdproducts.com](http://www.mtdproducts.com). Click on the Service & Support menu option.
- Phone a **Customer Support Representative** at 1-800-800-7310.
- Please have your unit's model number and serial number ready when you call. See above to locate this information. You will be asked to enter the serial number in order to process your call.

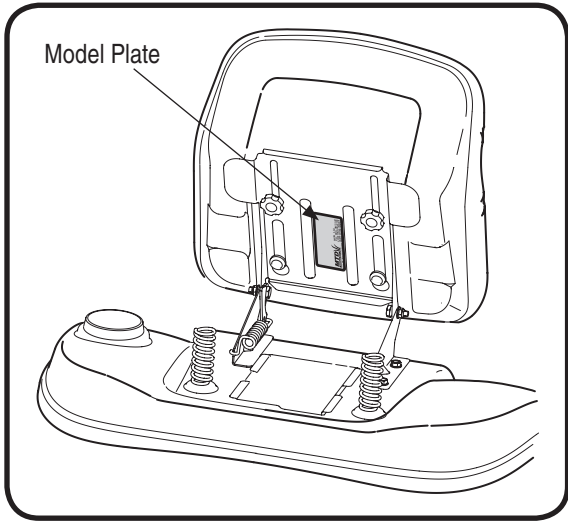


Figure 1

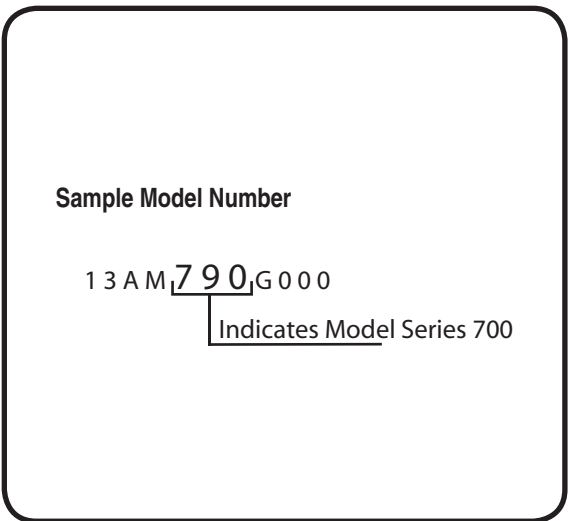


Figure 2

## Snow Thrower Attachment

NOTE: This Operator's Manual covers several models. Snow thrower hook-up instructions vary by model. Not all features discussed in this manual are applicable to all snow thrower attachments. Assistance may be needed to complete installation.

### To The Owner

Model OEM-190-032 two-stage snow thrower attachment is designed for use on FastAttach™ Compatible Lawn Tractors and Garden Tractors ONLY. It will NOT fit nor operate properly or safely on ANY other tractor.

### Determine The Model of Your Rider

Since this manual is designed for installation of your new snow thrower attachment on several different rider units, it is important for you to determine which model of rider you have. Therefore you will know which set of instructions in the following pages to follow.

To determine which model of rider you have, you will need to locate the rider's model plate, located under the seat. Simply flip the seat up and locate the model plate, which will consist of an 11 digit/letter model number and a serial number. For ease in this installation and for future use, copy your rider's model number & serial number below now:



Rider Model Number: \_\_\_\_\_

Rider Serial Number: \_\_\_\_\_

The 5<sup>th</sup>, 6<sup>th</sup> & 7<sup>th</sup> numbers from the left in your model number determine your rider's model series. See Figure 2.

When you fill in your model number in the space above, the actual model series number should fall into the gray shaded area.

Now that you have determined what model rider you are attaching this snow thrower attachment to, follow the instructions in the following pages according to your model of rider. You can locate which instructions apply to your model of rider by the gray-shaded area in the border of each page. For instance, an 809 or 80R would signify that you should follow the instructions for Model Series 800.

# 1

## Rider Model Identification



**NOTE:**

*References to LEFT and RIGHT indicate the left and right sides of the tractor when facing forward in the operator's position. Reference to the FRONT indicates the grille end; to the REAR, the rear end of the rider.*

# 3

## Carton Contents



If you are missing any parts, please do not contact the retailer where you purchased this unit, call MTD directly at 1-330-220-4MTD or toll free at 1-800-800-7310.

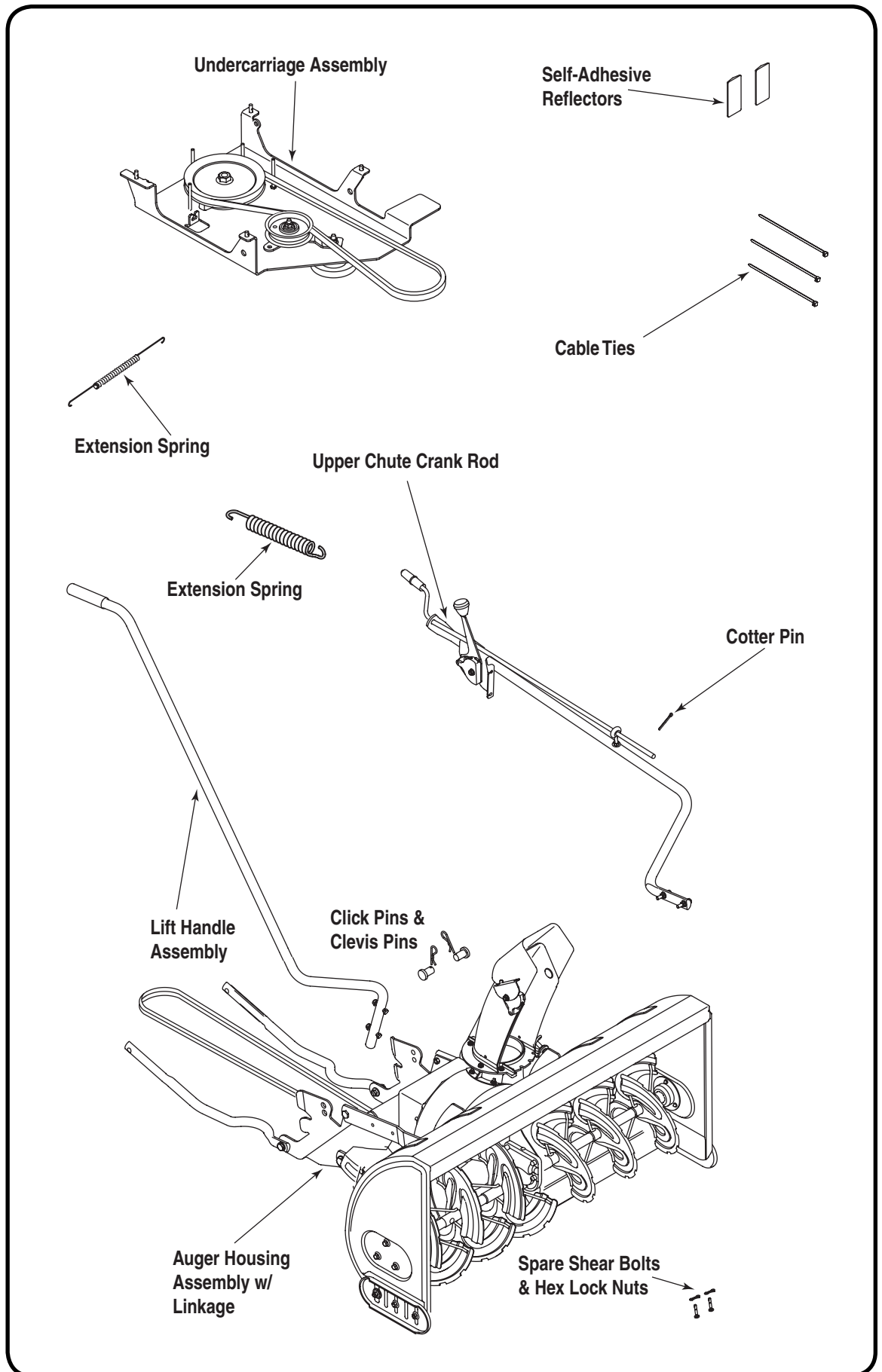


Figure 3



## CONTENTS OF CARTON

Before beginning installation, remove all parts from the carton to make sure everything is present. Carton contents are listed below and shown in Figure 3. Hardware part numbers are shown in parentheses.

- One Auger Housing Assembly w/ Lower V-belt
- One Undercarriage Assembly w/ Upper V-belt
- One Lift Handle Assembly
- One Upper Chute Crank Rod
- Three Cable Ties (725-0157)
- Two Spare Shear Pins (738-04124) & Cotter Pins (714-04040)
- One Cotter Pin (714-0507)
- Two Self-adhesive Reflectors (730-3000)
- Extension Spring (732-04237)
- Extension Spring (732-04237)
- Clevis Pin (711-0332)
- Click Pin (714-0145)

# 3

## Carton Contents



*If you are missing any parts, please do not contact the retailer where you purchased this unit, call MTD directly at 1-330-220-4MTD or toll free at 1-800-800-7310.*

# 4

## Assembly Model Series 600-649 & All 800 series.



### WARNING

Before installing attachment, place tractor on a firm and level surface. Place the PTO in the disengaged (OFF) position, set the parking brake, shut engine off and remove key to prevent unintended starting.



**WARNING:** Before installing attachment, place tractor on a firm and level surface. Place the PTO in the disengaged (OFF) position, set the parking brake, shut engine off and remove key to prevent unintended starting.

**NOTE:** References to LEFT and RIGHT indicate the left and right sides of the tractor when facing forward in the operator's position. Reference to the FRONT indicates the grille end; to the REAR the drawbar end.

**IMPORTANT:** You must first figure out which model of rider you are attaching this snow thrower to. Refer to Determine Your Model of Rider on page 3 of this manual to determine what model rider you are attempting to install this attachment to. Then proceed to the applicable instructions for your model of rider.

Your tractor's cutting deck, PTO belt and front deck stabilizer bracket must be removed prior to mounting the snow thrower attachment. Refer to your tractor's Operator's Manual for detailed instructions. If your tractor is equipped with any front-end accessory (i.e. front bumper kit), it must also be removed.

### Do you have an Electric PTO or Manual PTO?

If you engage your tractor's cutting deck by using your left hand to pivot a lever forward, your tractor has a Manual PTO. If you engage your tractor's cutting deck by pulling outward on a small knob located on the tractor's dash, your tractor has an Electric PTO.

## Mounting the Idler Assembly

### Electric PTO Undercarriage Assembly Setup

Proceed as follows when mounting this snow thrower attachment to a tractor equipped with a 42, 46, 50 or 54-inch deck with electric PTO:

1. Attach one end of the extension spring (732-0594A) to the hole in the idler assembly. Mount the opposite end of the extension spring to the belt keeper pin as illustrated in Figure 4-1.
2. Refer to Figure 4-2 for correct position.

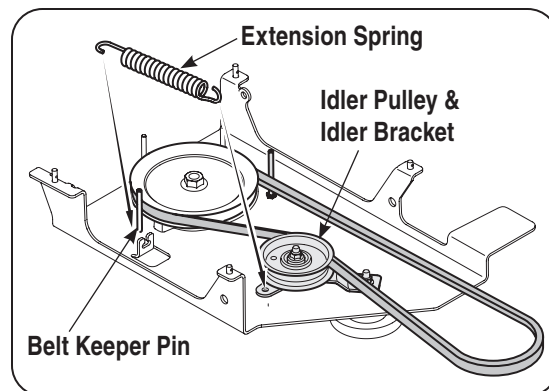


Figure 4-1

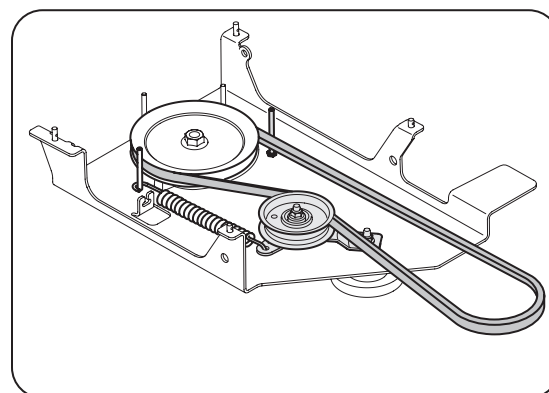


Figure 4-2

### Manual PTO Undercarriage Assembly Setup

1. Attach the PTO cable to the idler bracket, then fit the cable into the slotted fitting as seen in Figure 4-3.

**NOTE:** The PTO cable should be hanging down under you tractor after you removed the mowing deck. You will need to slide the undercarriage unit under your tractor in position for which it will be mounted. The slanted side should be pointed towards the front of your tractor.

2. Refer to Figure 4-4 for correct position.

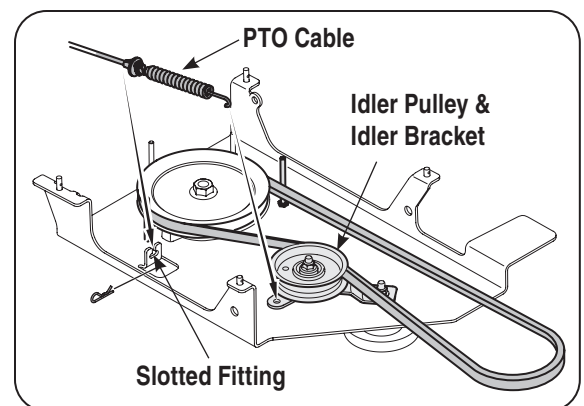


Figure 4-3

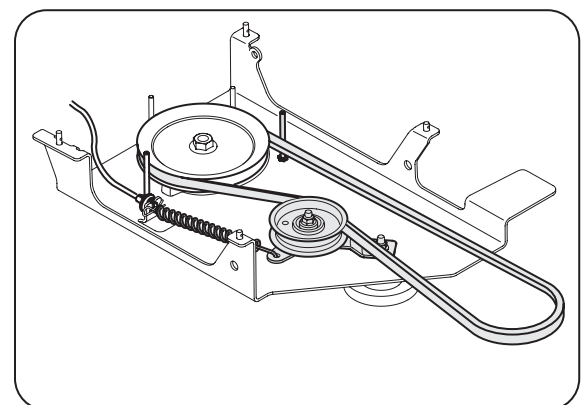


Figure 4-4

# Mounting The Undercarriage Assembly

1. Remove and retain the four hairpin clips from the weld pins found on the top side of the undercarriage assembly. Remove and retain the two clevis pins with hairpin clips. This hardware is for later installation. See Figure 4-5.
  2. With the undercarriage assembly beneath the tractor, see figure 4-6, lift the undercarriage assembly up against the frame of the tractor. The weldpins on the top of the undercarriage assembly should go through the aligning holes found along the tractor's frame. See Figure 4-7.
  3. Fasten the undercarriage assembly to the frame with the hairpin clips removed in step 1. See figure 4-8
  4. Route the upper drive belt around the engine pulley. See Figure 4-7.
- NOTE:** Proceed to the Assembling Controls section of this manual if you have an Electric PTO.
5. Attach the extension spring to the idler pulley. See figure 4-9. Connect the other end to tractor's frame rail. See Figure 4-10.

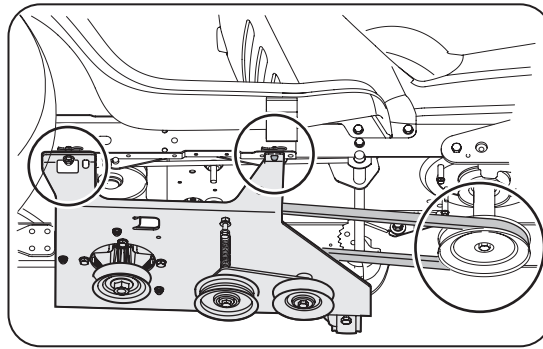


Figure 4-7

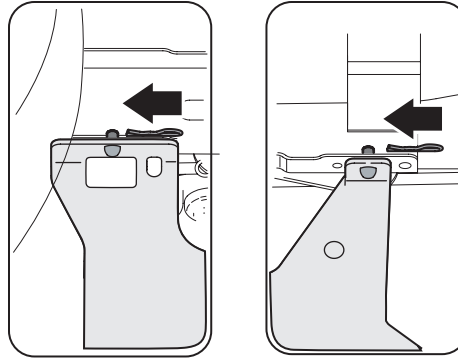


Figure 4-8

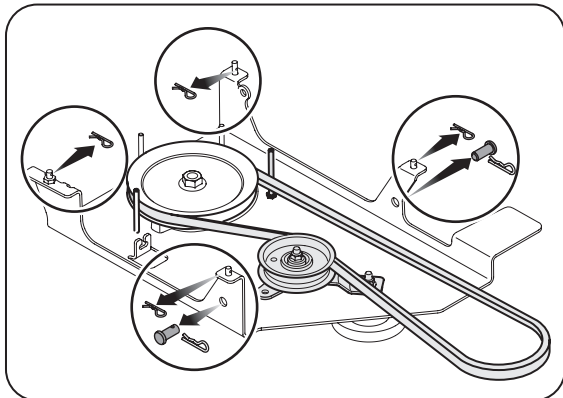


Figure 4-5

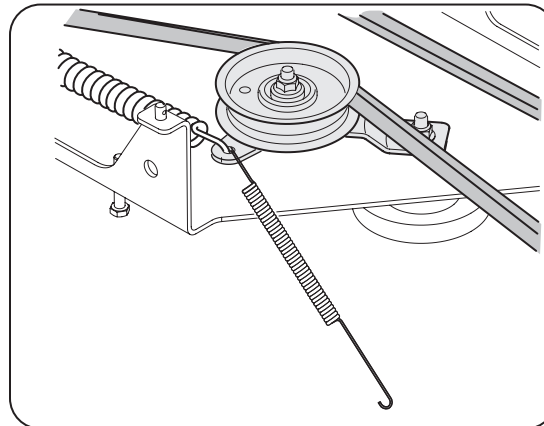


Figure 4-9

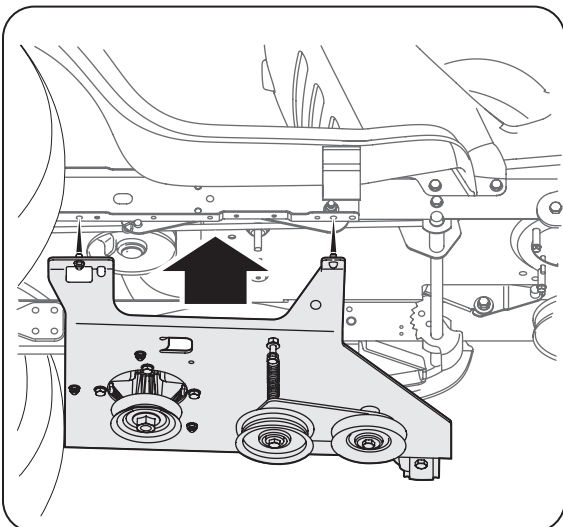


Figure 4-6

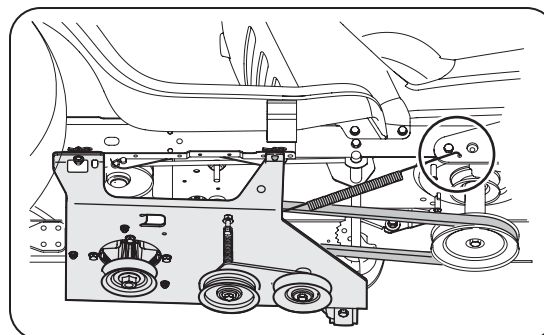


Figure 4-10

# 4

**Assembly**  
**Model Series**  
**600-649 &**  
**All 800 series.**



## WARNING

Before installing attachment, place tractor on a firm and level surface. Place the PTO in the disengaged (OFF) position, set the parking brake, shut engine off and remove key to prevent unintended starting.

# 6

## Assembling Controls



### NOTE:

All references to left or right side of the snow thrower is from the operating position only.

## Attaching Chute Directional Control

1. Attach the chute directional control assembly to the upper lift link on the left side of the auger housing. Assemble with two hex screws and washers as illustrated in Figure 6-1. Secure with two flange nuts.
1. Secure the upper chute crank rod to the joint block (A) on the lower chute crank rod with the cotter pin (B) provided. See Figure 6-2.
3. Fasten chute tilt cables to chute directional control with two of the cable ties provided. Pull cable ties until snug and trim excess.

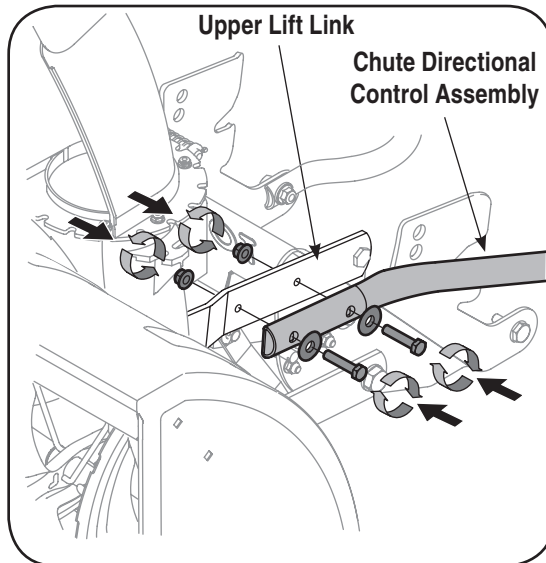


Figure 6-1

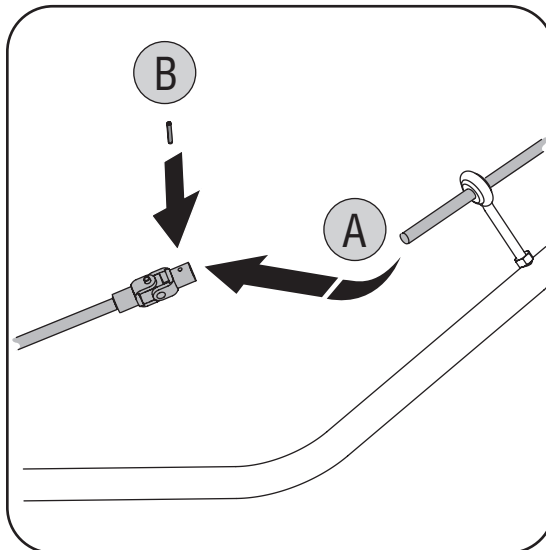


Figure 6-2

## Attaching Lift Handle

1. Attach lift handle to lift bracket on the right side of auger housing assembly with two hex screws and two flange nuts provided. See Figure 6-3.
2. Fasten the lift cable to the lift handle with two of the cable ties provided. Pull the cable ties until snug and trim excess.

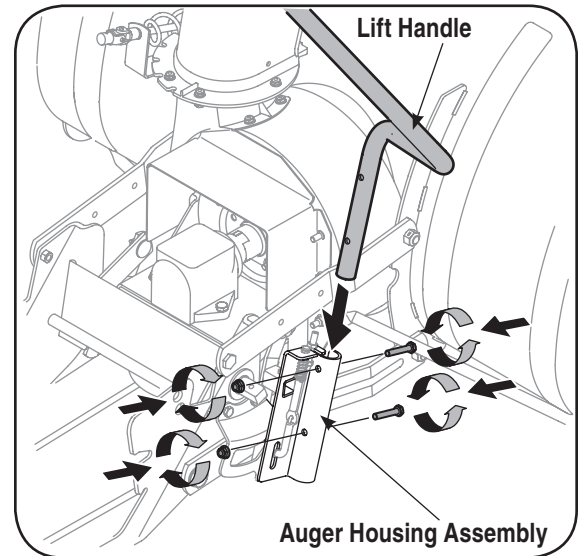


Figure 6-3

## Mounting Auger Assembly



**WARNING:** Before installing attachment, place tractor on a firm and level surface. Place PTO in the disengaged (OFF) position, set the parking brake, shut engine off and remove key to prevent unintended starting.

**IMPORTANT:** If you are installing this snow thrower attachment on any tractor model with a side discharge muffler, See Figure 6-4, then the heat shield on the auger housing must be removed. See figure 6-5. To

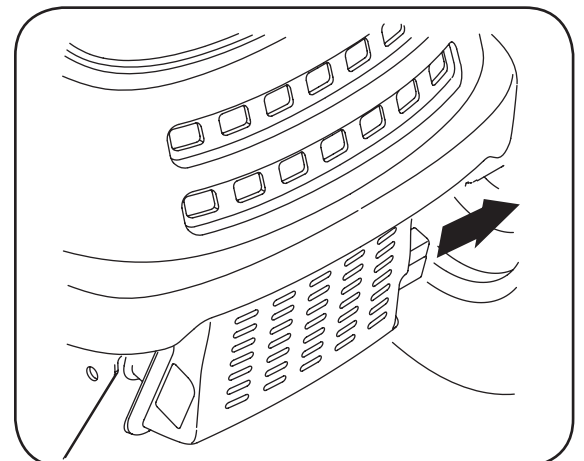


Figure 6-4

## Attaching Reflectors

Peel off the backing from each of the reflectors to expose the adhesive surface. Adhere the reflectors to the rear of the tractor's fender (one on the left and one on the right) so that the reflectors simulate taillights.

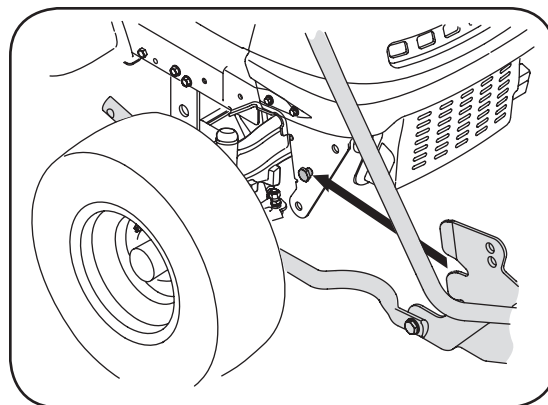
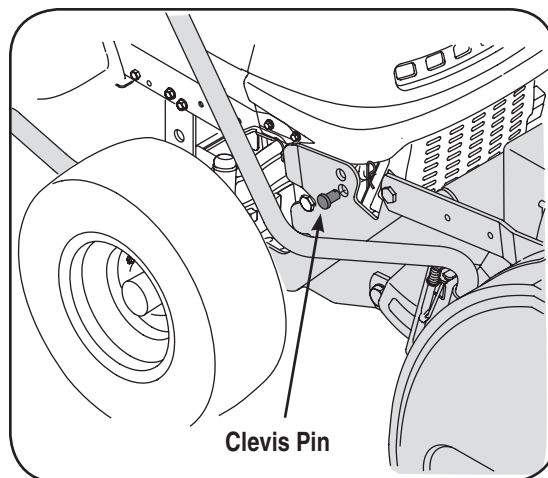


Figure 6-7



Clevis Pin

Figure 6-8

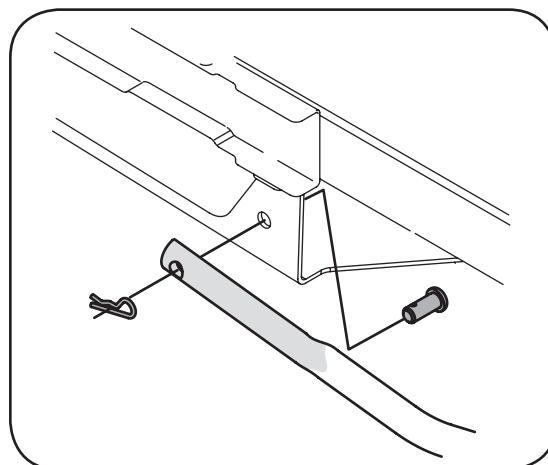


Figure 6-9

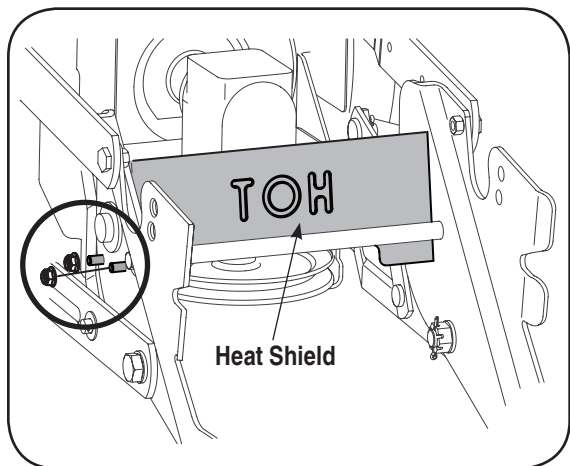


Figure 6-5

remove the heat shield remove the four lock nuts and bolts (two on either side of the unit) securing the heat shield to the lift linkage. See figure 6-5.

**IMPORTANT:** It will be necessary to have a second person assist you to complete the following steps.

1. Position the auger housing assembly in front of the tractor as seen in Figure 6-6. Lay the belt and support tubes on the installation surface.
2. Carefully move the tractor forward (by pushing, NOT driving it) so that support tubes found on the rear of the auger housing assembly are positioned between the tractor's front tires. Set the parking brake.
3. With the help of an assistant, lift up the auger housing and move it so that it rests over the shoulder bolts found on tractor See Figure 6-7.
4. Maneuver the auger housing until the mounting holes line up. Insert the clevis pins from your hardware pack and secure with a click pins. See Figure 6-8.

## Attaching Support Tubes

1. Secure the left support tube to the front of the undercarriage assembly with the clevis pin and hairpin clip removed earlier. See Figure 6-9.
2. Repeat the previous step on the right side.

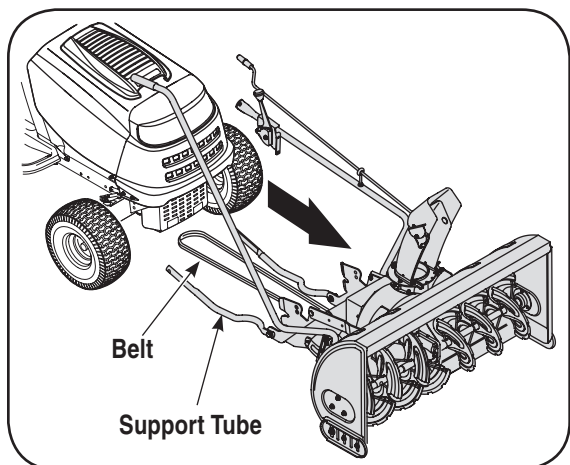


Figure 6-6

# 7

## Mounting Auger Housing All Models



### WARNING

Before installing attachment, place tractor on a firm and level surface. Place the PTO in the disengaged (OFF) position, set the parking brake, shut engine off and remove key to prevent unintended starting.



# 8

## Belt Routing Various Models



### WARNING

Before installing attachment, place tractor on a firm and level surface. Place the PTO in the disengaged (OFF) position, set the parking brake, shut engine off and remove key to prevent unintended starting.

**IMPORTANT:** Make certain that the flat side of the belt is facing outward. This allows the “V” side of the belt to ride snugly in both pulleys.

### Routing the Upper Drive Belt (*Tractors Models with an Electric PTO*)

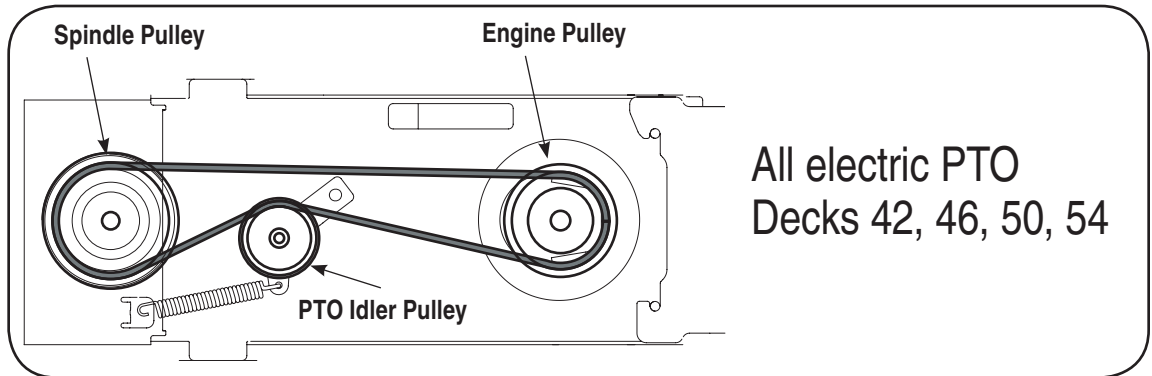


Figure 8-1

1. Attach and route upper drive belt around spindle pulley and idler pulley found on undercarriage, electric PTO clutch and PTO idler pulley as illustrated in Figure 8-1. Make sure that the belt is routed to the **INSIDE** of the belt keeper on the undercarriage idler pulley and the remaining keeper pins found around the spindle pulley.

**IMPORTANT:** Make certain that the flat side of the belt is facing outward as it sits against both the electric PTO clutch and spindle pulley. This allows the “V” side of the belt to ride snugly in both pulleys.

All electric PTO  
Decks 42, 46, 50, 54

### Routing the Upper Drive Belt (*Tractor Models with a Manual PTO*)

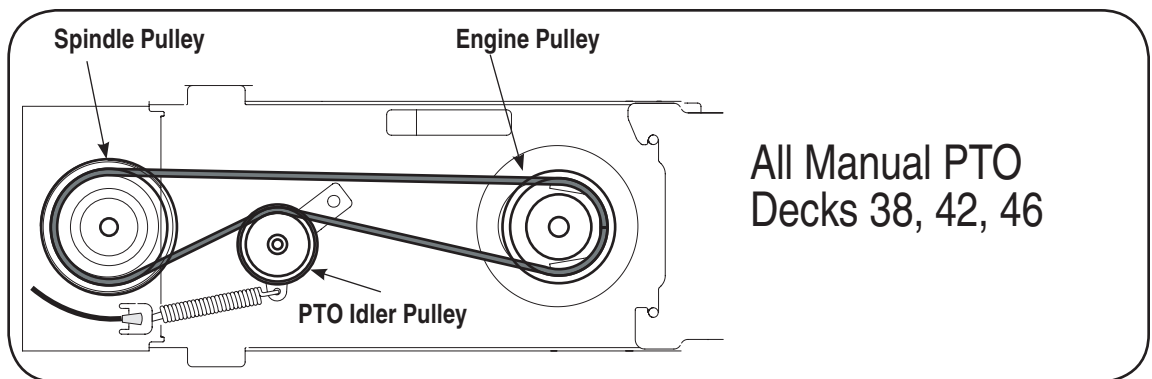


Figure 8-2

1. Attach and route the upper drive belt around the engine pulley and spindle pulley, routed to the **INSIDE** of the PTO idler pulley on the undercarriage. Make sure the belt is routed inside of the belt keeper pins found around the spindle pulley and engine pulley. See Figure 8-2.

**IMPORTANT:** Be certain flat side of belt is facing outward. This allows “V” side of belt to ride snugly in both pulleys.

All Manual PTO  
Decks 38, 42, 46

### Routing the Lower Drive Belt (*All Tractors Models*)

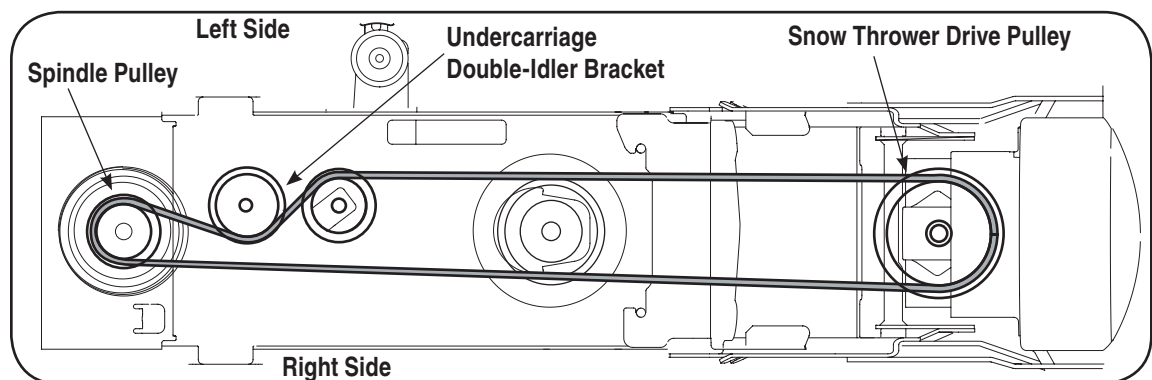


Figure 8-3

1. Attach and route the lower drive belt around the lower pulley on the spindle assembly, both pulleys on the double-idler bracket found beneath the undercarriage, and the drive pulley found on the rear of the snow thrower housing as illustrated in Figure 8-3.
2. Attach tension spring (found on undercarriage double-idler bracket) to the hex screw if it is not already attached.





**WARNING:** Be familiar with all controls and their proper operation. Know how to stop the machine and disengage them quickly.

## Engaging the Augers and Impeller

Power to the snow thrower attachment is activated by engaging the tractor's PTO.

1. Place the tractor's throttle control in the FAST (rabbit) position and allow it to remain there for efficient snow removal.
2. Move the PTO knob or PTO lever (on tractor's so equipped) into the "ON" position to engage the augers and impeller.
3. Move the PTO knob or PTO lever (on tractor's so equipped) into the "OFF" position to disengage the augers and impeller.

**NOTE:** The PTO knob (on units so equipped) cannot be in the engaged (ON) position when the tractor is driving in the reverse direction. The PTO knob must be in the disengaged (OFF) position when the shift lever is placed in REVERSE or the electric PTO clutch will automatically shut off.

Refer to your tractor's Operator's Manual for more information regarding your tractor's PTO and safety interlock system.

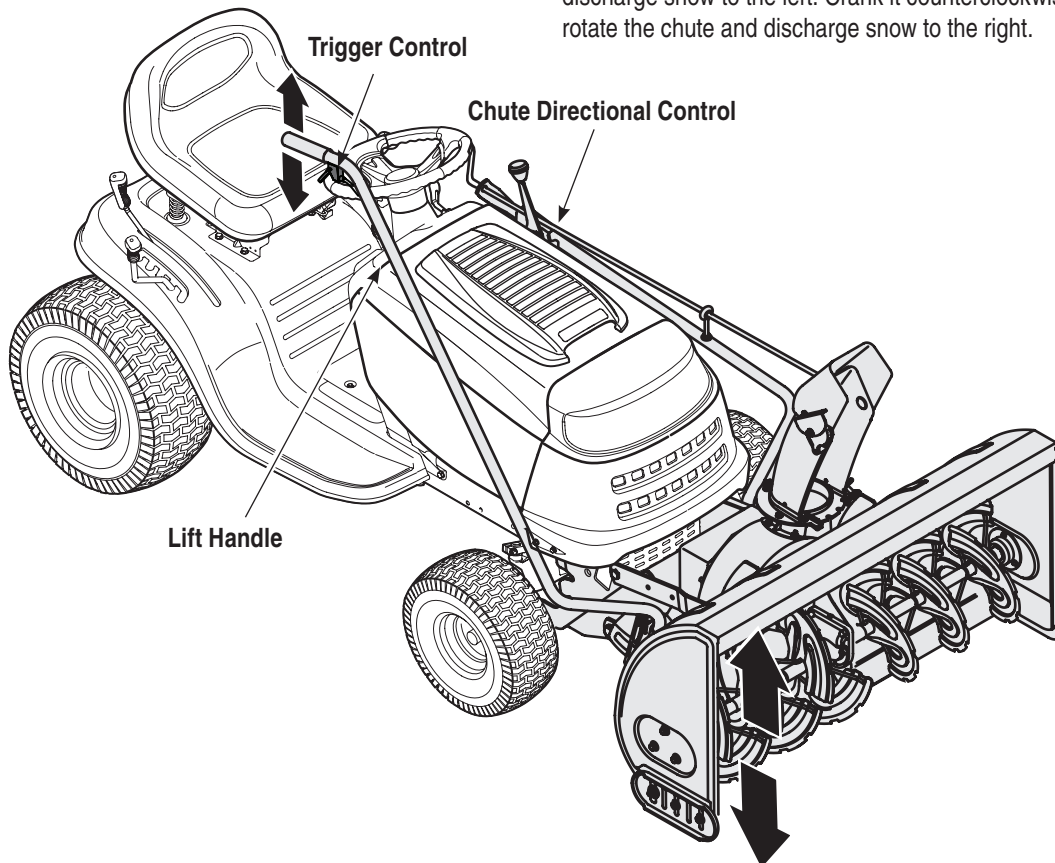


Figure 9-1

## Lift Handle

The lift handle is located on the right side of tractor and is used to raise and lower snow thrower attachment.

1. To raise snow thrower attachment off of the ground, pull rearward and down on the lift handle until you feel the lift latch on the right side of the snow thrower engage, locking the snow thrower in a raised position See Figure 9-1.
2. To lower the snow thrower, push downward on the lift handle until there is enough slack in the lift cable so that you may squeeze the trigger control. With the trigger control squeezed, gently allow the snow thrower to lower until it reaches the ground.

## Chute Directional Control

The chute directional control assembly is found on the left side of the tractor and includes both the chute tilt lever as well as the chute crank. Both affect the direction that the discharged snow is thrown.

To pivot upper section of discharge chute, affecting the distance and angle which the snow is thrown, move the chute tilt lever forward or rearward into a desired position.

The direction which snow is thrown can be changed by rotating the discharge chute with the chute crank. Turn the chute crank clockwise to rotate the chute and discharge snow to the left. Crank it counterclockwise to rotate the chute and discharge snow to the right.

# 9

## Controls



### WARNING

**Be familiar with all controls and their proper operation. Know how to stop the machine and disengage them quickly.**



#### NOTE:

The PTO knob (on units so equipped) cannot be in the engaged (ON) position when the tractor is driving in the reverse direction. The PTO knob must be in the disengaged (OFF) position when the shift lever is placed in REVERSE or the electric PTO clutch will automatically shut off.

# 10

## Operation



### WARNING

**Read, understand, and follow all instructions and warnings on the tractor, attachment, and in the Operator's Manuals before operating.**

#### IMPORTANT:

The augers are secured to the spiral shaft with two shear bolts and hex lock nuts. If you hit a hard foreign object or an ice jam, the snow thrower is designed so that the bolts may shear. Two replacement shear bolts and hex lock nuts are provided for your convenience. Store in a safe place until needed. NEVER replace the auger shear bolts with standard hex bolts. Any damage to the auger gearbox or other components as a result of doing so will NOT be covered by your snow thrower's warranty.

## OPERATION



**WARNING: Read, understand, and follow all instructions and warnings on the tractor, attachment, and in the Operator's Manuals before operating.**

Your snow thrower attachment is capable of displacing snow and clearing a path a width of 42 inches.

Observe the following operating instructions for efficient snow removal.

1. Become familiar with and comfortable using all of your tractor's controls as instructed in your tractor's Operator's Manual before operating it with the snow thrower attachment.
2. Make certain the correct weight (and volume) of motor oil in is your tractor's engine as instructed in the engine Owner's Guide packed with the tractor's Operator's Manual.
3. Always operate the snow thrower with the tractor's engine at maximum RPM (full throttle).
4. NEVER override any safety features on either your tractor or the snow thrower attachment.
5. Make certain that all nuts, bolts, and hardware are fastened securely and tight on both the tractor and the snow thrower attachment prior to use.
6. Make certain snow thrower is assembled properly and mounted to the tractor as instructed in this manual.
8. Test all controls (tractor PTO, snow thrower lift handle, chute tilt lever & chute crank) for smooth operation prior to operating snow thrower in snow.
9. Make all adjustments (i.e. skid shoes, lift latch) before operating your snow thrower attachment. Follow instructions in the Adjustments section of this manual when doing so.
10. Engage the tractor's PTO to activate power to the augers and impeller BEFORE driving the tractor forward and into snow.
11. Keep your tractor's ground-speed slow. The slower your tractor is traveling, the more effectively the snow thrower attachment can displace snow.
12. Adjust ground speed for snow conditions and become familiar with different snow applications. Your snow thrower attachment will operate differently in wet heavy snow than it will in light, fluffy snow.
13. Overlap a previously cleared path when necessary (deep snow) so as not to overload the auger housing with snow.
14. NEVER drive the tractor into a snow bank. The snow thrower attachment is not a dozer plow. The lift linkage and/or the snow thrower drive system can be damaged as a result of "plowing" with the snow thrower attachment.

15. If the augers become jammed with a chunk of ice or a foreign object, move the PTO into the disengaged (OFF) position immediately and turn off the tractor's engine and remove the ignition key. Examine the auger area thoroughly for damage and do NOT operate the snow thrower attachment until any damage is repaired.

**IMPORTANT:** The augers are secured to the spiral shaft with two shear bolts and hex lock nuts. If you hit a hard foreign object or an ice jam, the snow thrower is designed so that the bolts may shear. Two replacement shear bolts and hex lock nuts are provided for your convenience. Store in a safe place until needed. NEVER replace the auger shear bolts with standard hex bolts. Any damage to the auger gearbox or other components as a result of doing so will NOT be covered by your snow thrower's warranty.

16. Whenever possible, discharge snow downwind.
17. Do NOT attempt to remove ice or hard-packed frozen snow.
18. When the tractor (with the snow thrower attachment mounted) is not in service, use the lift lever to lower the auger housing assembly to the ground to relieve strain on the tractor's front end between uses.
19. Always use tire chains and rear wheel weights on your tractor where extra traction is needed. Refer to the table to the right to determine which kits will fit your tractor (tire dimensions are can be found on the sidewalls of your tractor's tires).
20. Use drift cutters to aid in displacing snow through deep, drifted areas.

### Tire Chain Kit Number

#### Garden Tractors

23" x 9.5" tires	OEM-190-964
22" x 7.5" tires	OEM-190-974

#### Lawn Tractors

20" x 10.0" tires	OEM-190-916
20" x 8.0" tires	OEM-190-658
18" x 9.5" tires	OEM-190-657
18" x 8.5" tires	OEM-190-754
18" x 6.5" tires	OEM-190-664

#### Weight Kit Number

All Garden Tractors	OEM-190-784
All Lawn Tractors	OEM-190-215

#### Drift Cutter Kit Number

All Tractors	OEM-390-679
--------------	-------------

NOTE: None of the kits in the table are included as standard equipment with snow thrower attachment OEM-190-032. Call our Customer Support Department as instructed on page 2 of this manual for availability and information regarding these kits.

## Making Adjustments



**WARNING:** Never attempt to make any adjustments while the engine is running, except where specified in the Operator's Manual. Place tractor on a firm and

level surface. Place the PTO in the disengaged (OFF) position, set the parking brake, shut engine off, and remove key to prevent unintended starting.

### Lift Adjustment

If the lift index rod doesn't latch securely or the pivot release has too much slack in it, an adjustment can be made as follows:

1. Loosen the upper hex nut a few turns, then tighten the lower hex nut to shorten the cable length. See Figure 11-1.
2. Loosen the lower hex nut a few turns, then tighten the upper hex nut to lengthen the cable. See Figure 11-1.

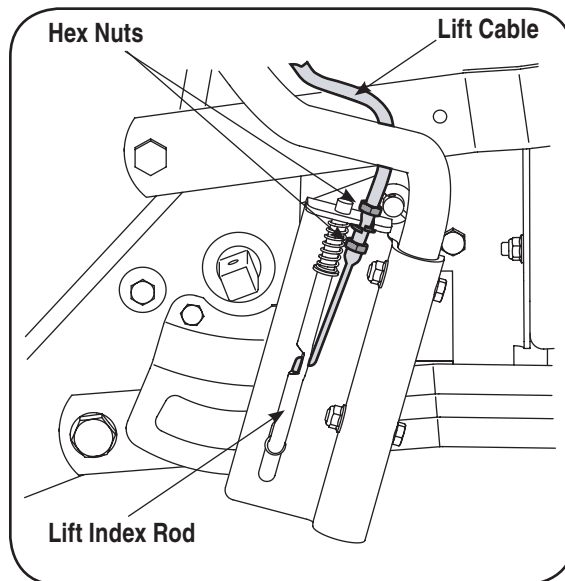


Figure 11-1

### Lower Chute Crank

#### Support Bracket Adjustment

If the spiral at the base of the lower chute crank isn't fully engaging with the notches in the lower chute assembly, the support bracket can be adjusted inward or outward as follows:

1. Loosen, but do NOT remove the two hex nuts which secure the support bracket to the snow thrower housing. See Figure 11-2.
2. Adjust the support bracket inward or outward so that the spiral is fully engaged in the notches on the chute before retightening the hex nuts.

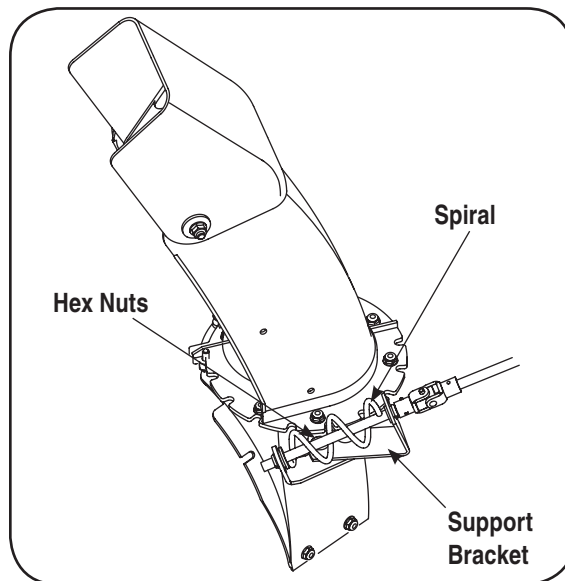


Figure 11-2

### Skid Shoe Adjustment

The space between the shave plate and the ground can be adjusted by repositioning the skid shoes found on either side of the snow thrower's auger housing. For close snow removal, place skid shoes in the low position. Use a middle or high position when the area to be cleared is uneven.

**IMPORTANT:** It is NOT recommended that this snow thrower be operated on a gravel surface, as loose stones can be easily picked up and thrown by the machine. If you must operate on a gravel surface, ALWAYS adjust the skid shoes into the HIGH position to allow the shave plate maximum clearance.

Adjust skid shoes as follows:

1. Loosen, but do NOT remove, the three hex nuts which fasten the skid shoe to the auger housing. See Figure 11-3.

2. Raise or lower the skid shoe to desired position.

**NOTE:** Make certain the entire base of both skid shoes are against the ground to avoid uneven wear on the skid shoes. When one side does wear out, the skid shoes are reversible.

3. Retighten the hex nuts loosened earlier.
4. Repeat this adjustment on the skid shoe found on the opposite side of the snow thrower.

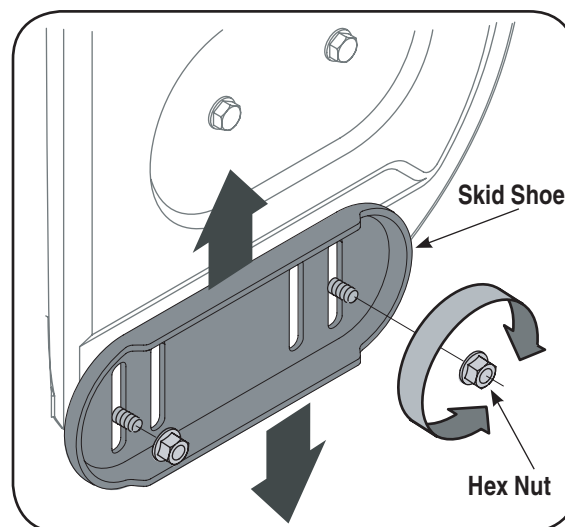


Figure 11-3

# 11

## Adjustments



### WARNING

Never attempt to make any adjustments while the engine is running, except where specified in the Operator's Manual. Place tractor on a firm and level surface. Place the PTO in the disengaged (OFF) position, set the parking brake, shut engine off, and remove key to prevent unintended starting.

# 12

## Maintenance



### WARNING

Before lubricating, repairing, or inspecting, place tractor on a firm and level surface. Place the PTO in the disengaged (OFF) position, set the parking brake, shut engine off, and remove key to prevent unintended starting.

## Maintenance



**WARNING:** Before lubricating, repairing, or inspecting, place tractor on a firm and level surface. Place the PTO in the disengaged (OFF) position, set the parking brake, shut engine off, and remove key to prevent unintended starting.

### Lubrication of Chute Directional Control

The spiral on the end of the lower chute crank, the base of the discharge chute itself and the joint blocks which connect the lower and upper chute cranks should be lubed with multi-purpose automotive grease once a season. See Figure 12-1.

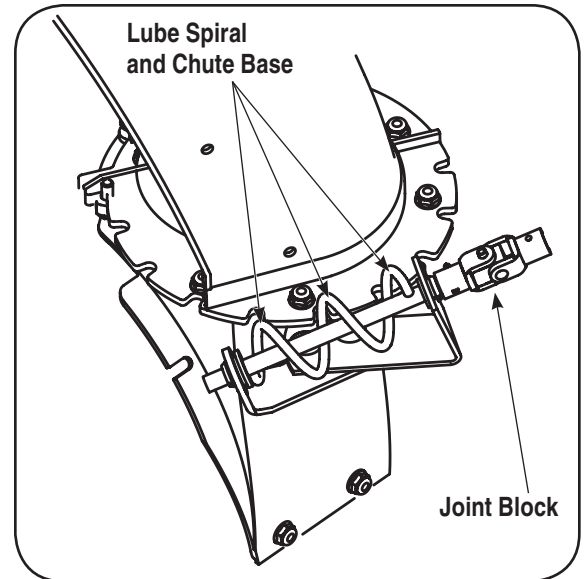


Figure 12-1

### Auger Shaft

1. At least once a season, remove the shear bolts on the auger shaft. Oil or spray lubricant inside and on the plastic bearings on the shaft and near the holes where the shear bolts were removed before reattaching them. See Figure 12-2.

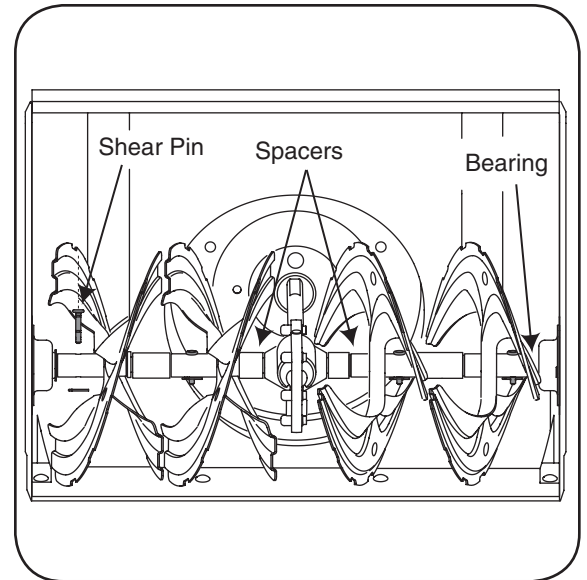
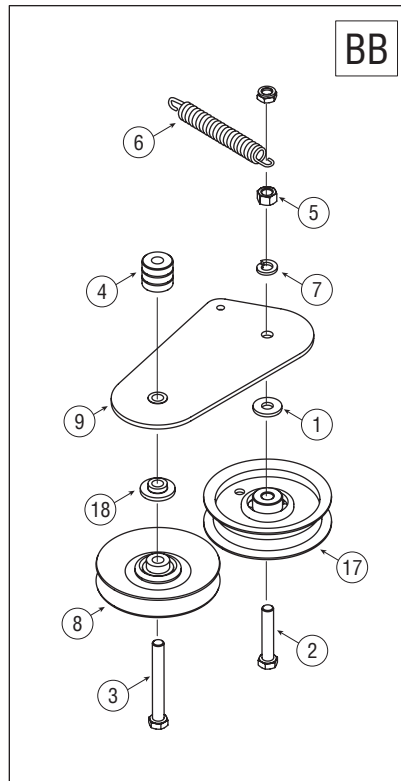
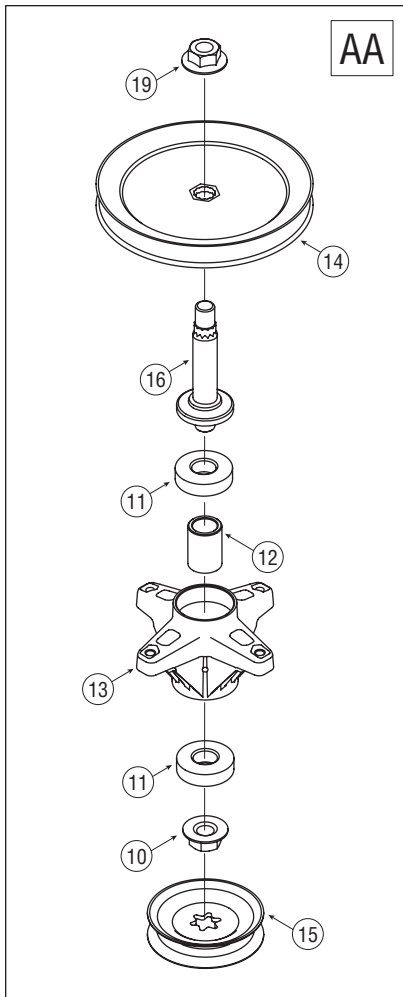


Figure 12-2





# 13

## Part List: Snow Thrower Attachment



For parts and/or accessories please call 1-800-800-7310, or 1-330-220-4683. [www.mtdproducts.com](http://www.mtdproducts.com)

### NOTE:

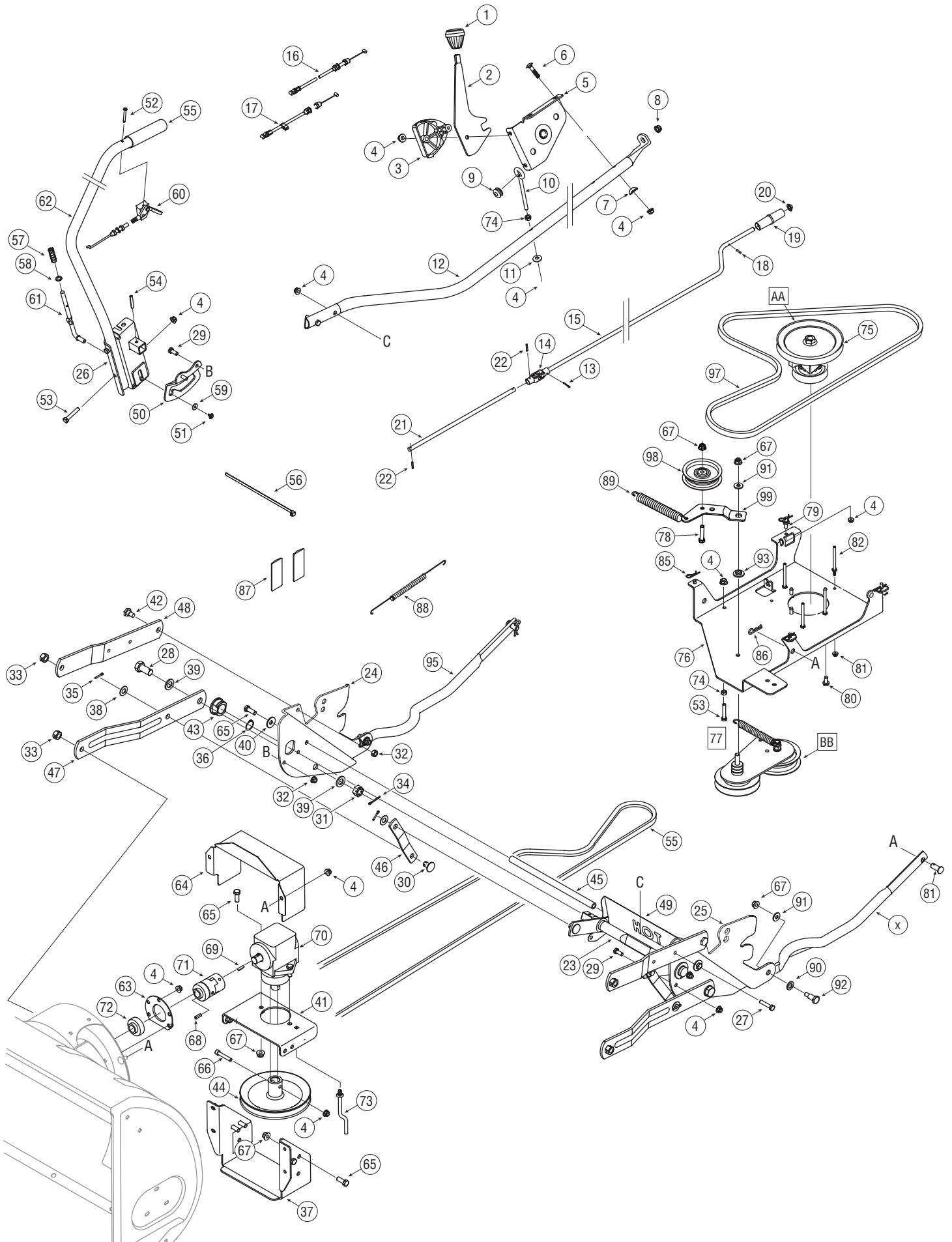
For painted parts, please refer to the list of color codes below. Please add the applicable color code, wherever needed, to the part number to order a replacement part.

For instance, if a part numbered 700-xxxx is painted powder black, the part number to order would be 700-xxxx-0637.

Yardman Green - 0665  
Black - 0637

REF NO.	PART NUMBER	DESCRIPTION
1	736-3072	Flat Washer, .38 x .93 x .11
2	710-0151	Hex Cap Screw, 3/8-24 x 2
3	710-0521	Hex Cap Screw, 3/8-16 x 3
4	711-0242	Spacer
5	712-0241	Hex Nut, 3/8-24
6	732-0978	Extension Spring, .620 x 5.62
7	736-0169	Lock Washer, 3/8
8	756-0487	Idler pulley, 4" Diameter
9	784-5727	Idler Pivot Arm
10	712-0417	Flange Nut 5/8-18

REF NO.	PART NUMBER	DESCRIPTION
11	741-0919	Ball Bearing
12	750-1096	Spacer
13	619-0044	Deck Spindle Housing
14	756-0999	Deck Pulley 7"
15	756-1173	Pulley 3.75"
16	738-0976	Spindle Shaft
17	756-0627D	Idler Pulley 3.50 dia.
18	738-0347	Shoulder Spacer, .625 x .169
19	712-0417	Flange Nut 5/8-18





REF NO.	PART No.	DESCRIPTION
1	720-0232	Knob
2	784-5604	Chute Tilt Handle
3	731-1313C	Chute Tilt Cable Guide
4	712-04063	Nylon Hex Lock Nut, 5/16-18
5	603-0302	Chute Tilt Bracket Assembly
6	710-0262	Carriage Bolt, 5/16-18 x 1.5
7	736-0451	Saddle Washer, .32 x .93
8	741-0475	Plastic Bushing
9	735-0234	Rubber Grommet, .44 x .94 x .5
10	747-0697	Eye Bolt
11	736-0242	Bell Washer, .340 x .872
12	750-04467	Support Chute Tube
13	714-0507	Cotter Pin, 3/32 x .75
14	784-5149	Joint Block Assembly
15	747-1201	Chute Crank Rod, .375 x 33
16	746-1108	Chute Cable, 62"
17	746-1109	Chute Cable w/ Clip, 62"
18	715-0138	Rolled Pin, 1/8 x .63
19	720-0201A	Crank Knob
20	726-0100	Push Cap, 3/8 ID
21	747-04400	Rod, .375 x 11.375
22	715-0129	Spirol Pin, .125 x .82
23	611-0132A	Rod Assembly
24	783-0880C	RH Support Plate Assembly
25	783-0879C	LH Support Plate Assembly
26	683-04150	Lift Bracket Assembly
27	710-0805	Hex Cap Screw, 5/16-18 x 1.50
28	710-0964A	Hex Cap Screw, 5/8-18 x 1.31
29	710-3008	Hex Cap Screw, 5/16-18 x .75
30	711-0332	Clevis Pin, .5 x .78
31	712-0386A	Slotted Hex Nut, 5/8-18
32	712-3000	Hex Lock Nut, 3/8-16
33	712-3022	Hex Lock Nut, 1/2-13
34	714-0470	Cotter Pin, 1/8 x 1.25
35	714-0474	Cotter Pin, .125 x .75
36	716-0102	Snap Ring
37	784-0402	Skid Plate
38	736-0272	Flat Washer, .51 x 1.0 x .060
39	736-0366	Flat Washer, .64 x 1.12 x .125
40	736-0452	Bell Washer, .396 x 1.14 x .095
41	783-1014A	Drive Mounting Bracket
42	738-0234	Shoulder Screw, .5 x .29, 3/8-16
43	741-0170	Flange Bearing w/ Flats
44	756-1181A	Drive Pulley, 7"
45	747-1192	Rod, 1/2 x 11.55
46	783-0876	Link, 5.875
47	783-0877	Link, 15.4
48	783-0878	Link, 13.35
49	783-1274B	Heat Shield
50	790-00110	Snow Thrower Lift Bracket
51	710-1268	Hex Index Washer Screw #10-16

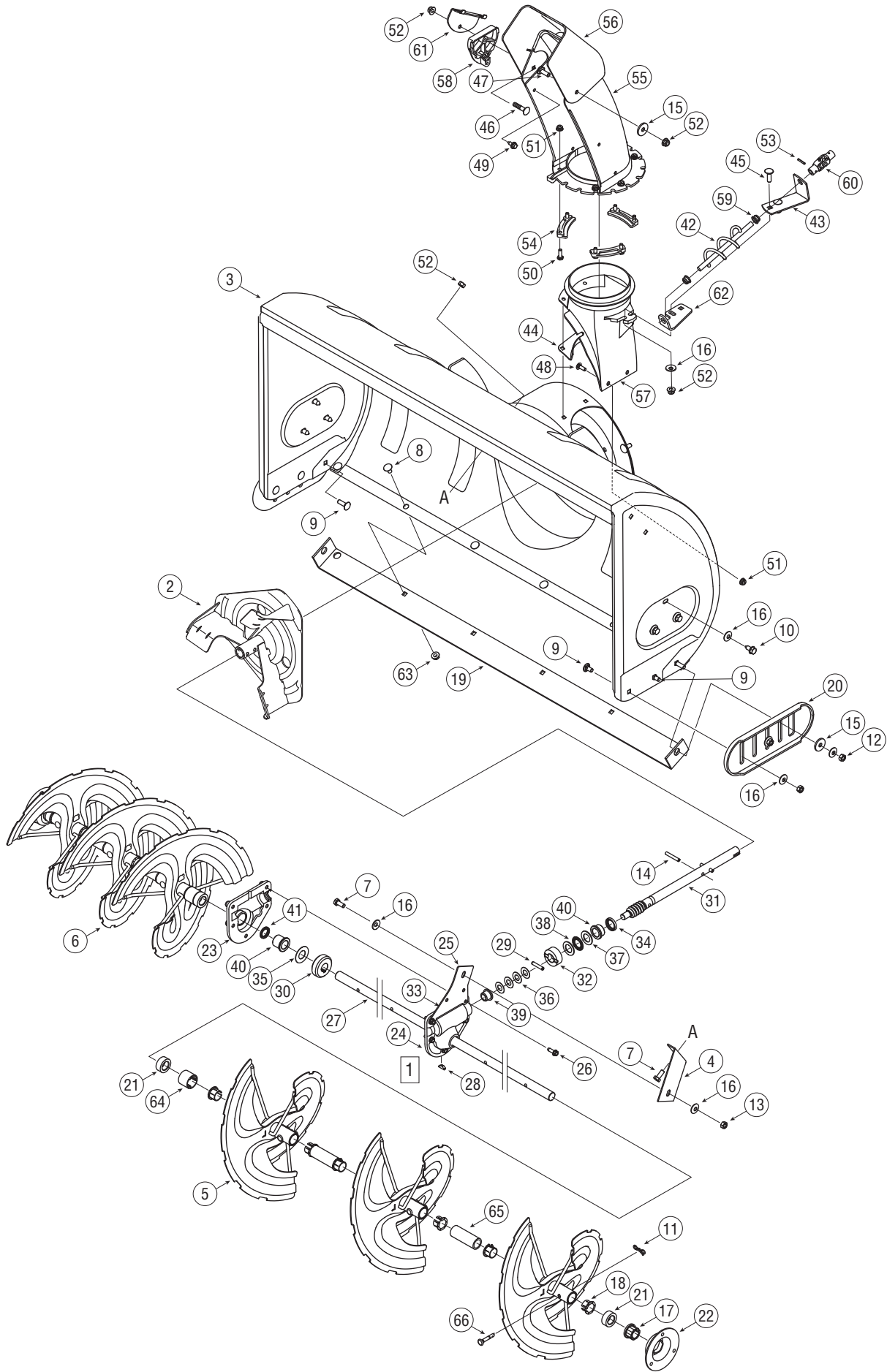
REF NO.	PART No.	DESCRIPTION
52	710-3143	Pan Phillips Screw, #10-24 x .75
53	710-3180	Hex Cap Screw, 5/16-18 x 1.75
54	715-0114	Heavy Duty Spirol Pin, 1/4 x 1.5
55	720-0274	Handle Grip
56	725-0157	Cable Tie
57	732-0306	Compression Spring
58	736-0140	Flat Washer, .385 x .62 x .063
59	736-0400	Flat Washer, .194 x .62 x .063
60	746-1103A	Lift Cable, 42" w/ Trigger Control
61	747-1203	Lift Index Rod
62	750-1221	Lift Handle Tube
63	05931A	Bearing Housing, 1.85 ID
64	703-2736	Belt Cover
65	710-0514	Hex Cap Screw, 3/8-16 x 1.0
66	710-3251	Socket Head Cap Screw
67	712-04065	Flange Lock Nut, 3/8-16
68	714-0122	Square Key, 3/16 x .75
69	714-0126	Hi-pro Key, 3/16 x .75
70	717-1714A	Right Angle Drive
71	718-0691	Coupling
72	741-0309	Flange Ball Bearing, .75 x 1.85
73	747-1257	Belt Keeper Rod
74	712-3010	Flange Nut, 5/16
75	618-0411	Spindle Assembly (Incl. 38-44)
76	683-04210	Pulley Mounting Bracket
77	684-0149	Double Idler Bracket Assembly
78	710-0347	Hex Cap Screw, 3/8-16 x 1.75
79	710-04511	Pin 5/16-18
80	710-0260A	Carriage Bolt, 5/16-18 x .62
81	711-0310	Clevis Pin, .5 x 1.18
82	711-1000	Belt Keeper Pin
83	712-04064	Nylon Hex Lock Nut, 1/4-20
84	712-04100	Wing Nut 5/16-18
85	714-0145	Click Pin, .092 x 1.64
86	714-0147	Internal Cotter Pin, .125 x 1.75
87	730-3000	Reflector
88	732-04237	Extension Spring .50 x 12.00
89	732-0594A	Extension Spring .91 x 7.33
90	736-0192	Flat Washer, .531 x .93 x .09
91	736-3072	Flat Washer, .38 x .93 x .11
92	738-0145	Shoulder Screw, 3/8-16
93	738-0347	Shoulder Spacer, .625 x .169
94	749-1103	LH Support Tube
95	749-1104	RH Support Tube
96	754-0125A	V-Belt
97	754-0498	V-Belt
98	756-0627D	Idler Pulley 3.50 dia.
99	783-1291	Idler Bracket

# 13

## Part List: Snow Thrower Attachment



**For parts and/or  
accessories  
please call  
1-800-800-7310, or  
1-330-220-4683.  
www.mtdproducts.com**



# 13

## Part List: Snow Thrower Attachment



**For parts and/or  
accessories  
please call  
1-800-800-7310, or  
1-330-220-4683.  
www.mtdproducts.com**

**NOTE:**

For painted parts, please refer to the list of color codes below. Please add the applicable color code, wherever needed, to the part number to order a replacement part.

For instance, if a part numbered 700-xxxx is painted powder black, the part number to order would be 700-xxxx-0637.

Yardman Green - 0665  
Black - 0637

REF NO.	PART NUMBER	DESCRIPTION
1	618-04315	Auger Gear Box (Incl. Ref. 23-41)
2	684-0158	Impeller Assembly, 12"
3	684-0148	Housing Assembly
4	703-2734	Housing Brace Bracket
5	684-04163	LH Spiral Auger
6	684-04164	RH Spiral Auger
7	710-0157	Hex Cap Screw, 5/16-24 x .75
8	710-0260A	Carriage Bolt, 5/16-18 x .62
9	710-0276	Splined Carriage Screw
10	710-0726	Self Tapping Screw
11	714-04040	Bow-Tie Cotter Pin
12	712-3010	Hex Nut, 5/16-18
13	712-3057	Hex Nut, 5/16-24
14	715-0114	Spirol Pin, 1/4 x 1-1/2
15	736-0231	Flat Washer, .344 x 1.125 x .12
16	736-0242	Bell Washer, .340 x .872
17	741-0245	Hex Flange Bearing, .75 ID
18	741-0493A	Flange Bushing, .80 x .91
19	784-0396A	Skid Plate Bracket, 42"
20	784-5038B	Slide Shoe
21	711-0469	Spacer, .75 x .125 x .5
22	784-5618	Hex Bearing Housing, 1.0
23	618-0123A	RH Reducer Housing
24	618-0124A	LH Reducer Housing
25	703-2733A	Housing Brace Plate
26	710-0642	Self Tapping Screw, 1/4-20 x .75
27	711-04468	Spiral Axle, 41.5"
28	714-0161	Hi-Pro Key, 3/16 x 5/8
29	715-0143	Spring Spirol Pin, .25 x 1.25
30	717-0528A	Worm Gear, 20-tooth
31	717-3320	Worm Shaft
32	718-0513	Thrust Collar
33	721-0325	Grease Plug

REF NO.	PART NUMBER	DESCRIPTION
34	721-0327	Grease Seal
35	736-0351	Flat Washer, .76 x 1.5 x .030
36	736-0369	Flat Washer, .508 x 1.0 x .020
37	736-0617	Thrust Washer, .75 x 1.25 x .0615
38	741-0150	Thrust Bearing, .75 x 1.25 x .078
39	748-0108	Flange Bearing, .503 x .75
40	741-0700	Flange Bearing, .75 x 1.0 x .59
41	721-0179	Grease Seal
42	684-0061	Chute Crank Assembly
43	703-2735A	Chute Crank Bracket
44	705-5226	Chute Reinforcer
45	710-0276	Splined Carriage Screw
46	710-0262	Carriage Bolt, 5/16-18 x 1.5
47	710-04071	Carriage Screw, 5/16-18 x 1.0
48	710-0703	Screw, 1/4-20 x .75
49	710-0896	Hex Index Washer Screw
50	710-3015	Hex Cap Screw, 1/4-20 x .75
51	712-04064	Nylon Hex Lock Nut, 1/4-20
52	712-04063	Nylon Hex Lock Nut, 5/16-18
53	715-0129	Spirol Pin, .125 x .82
54	731-0851A	Chute Flange Keeper
55	731-1300B	Lower Chute
56	731-1320	Upper Chute
57	731-1379C	Adapter Chute
58	731-1313C	Chute Tilt Cable Guide
59	741-0475	Plastic Bushing
60	784-5149	Joint Block Assembly
61	784-5594	Cable Bracket
62	784-5647	Chute Crank Bracket
63	712-3004A	Flange Lock Nut, 5/16-18
64	731-04870	Spacer 1.25 x .75 x 1.00
65	731-1086A	Sleeve .758 x 1.00 x 2.70
66	738-04124	Shear Pin, .25 x 1.50

## Free Manuals Download Website

<http://myh66.com>

<http://usermanuals.us>

<http://www.somanuals.com>

<http://www.4manuals.cc>

<http://www.manual-lib.com>

<http://www.404manual.com>

<http://www.luxmanual.com>

<http://aubethermostatmanual.com>

Golf course search by state

<http://golfingnear.com>

Email search by domain

<http://emailbydomain.com>

Auto manuals search

<http://auto.somanuals.com>

TV manuals search

<http://tv.somanuals.com>