

OWNER'S GUIDE

10 CENTS

**Model Nos. 190-768
191-768**

HABAN MANUFACTURING
MARION & MARQUETT ST
RACINE, WISCONSIN 53404
1-414-637-8388

36" SNOW THROWER

WARRANTY

For one year from date of purchase, MTD Products Inc., will replace for the original purchaser, free of charge, F.O.B. factory or authorized service firm, any part or parts found to be defective in material or workmanship. All transportation charges on parts submitted for replacement under this warranty must be paid by the purchaser. This warranty does not include replacement of parts which become inoperative through misuse, excessive use, accident, neglect, improper maintenance or alterations by unauthorized persons. This warranty does not include the engine, motor, battery, battery charger or any component parts thereof. For service on these units refer to the applicable manufacturer's warranty.

The above warranty will apply only to the original owner and will be effective only if the warranty card has been properly processed. It will not apply where the unit has been used commercially.

Warranty service is available through your local authorized service dealer or distributor. UNDER NO CIRCUMSTANCES WILL THE RETURN OF A COMPLETE UNIT BE ACCEPTED BY THE FACTORY UNLESS PRIOR WRITTEN PERMISSION HAS BEEN EXTENDED.

SAFETY RULES

1. Know the controls and how to stop quickly—READ THE OWNER'S MANUAL.
2. Disengage power and stop motor before cleaning discharge, removing obstacles, making adjustments, or when leaving operation position.
3. Never direct discharge at bystanders nor allow anyone in front of machine—debris may be hidden in the snow.
4. Keep children and pets a safe distance away.
5. Do not allow children to operate machine nor allow adults to operate it without proper instruction.
6. Adjust height to clear gravel or crushed rock surface.
7. Exercise caution to avoid slipping or falling, especially when operating in reverse.
8. Handle gasoline with care — it is highly flammable.
 - A. Use approved gasoline container.
 - B. Never add gasoline to a running motor — fill tank out of doors and wipe up spilled gasoline.
 - C. Replace gasoline cap securely.
 - D. Open door if motor is run in garage — exhaust gases are dangerous.
9. Disengage all clutches and shift into neutral before starting motor. Keep hands, feet and clothing away from power driven parts.
10. Use a grounded three wire extension cord for all plug-in electric units.
11. Keep machine in good operating condition and keep safety devices in place.

MTD PRODUCTS INC • 5389 WEST 130th ST. • P.O. BOX 2741 • CLEVELAND, OHIO 44111

FORM NO. 770-2862A

ASSEMBLY INSTRUCTIONS FOR MODEL 190-768 AND 191-768 SNOW BLOWER

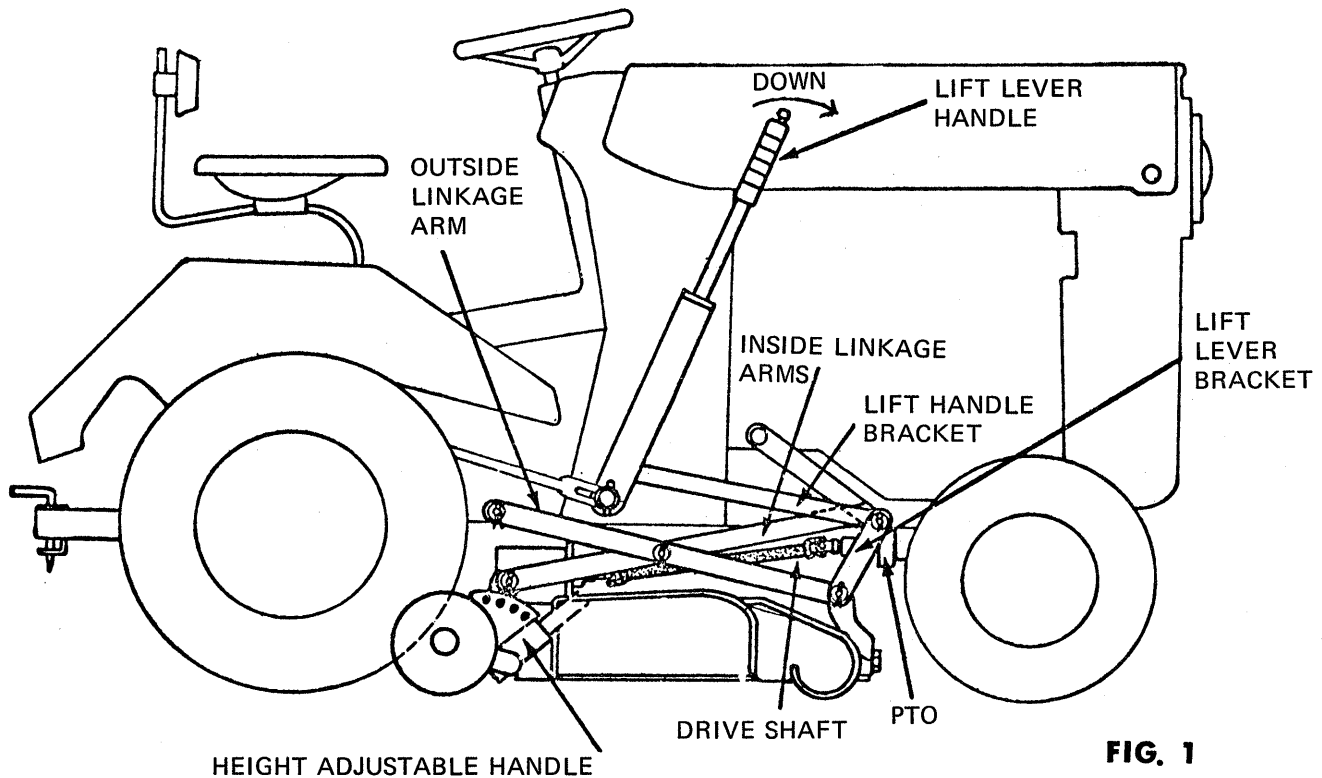


FIG. 1

1. Remove bag of parts, elbow assembly and control rods.
2. Remove cardboard inserts.
3. Remove snow thrower. Be sure that everything is out of the carton before discarding the carton.
4. Remove cutting unit from tractor.
 - A. Remove cotter pin and outside linkage arm from tractor.
 - B. Remove cotter pin and Inside linkage arm from tractor.
 - C. Remove cotter pin and Lift lever bracket from tractor.
 - D. Disconnect Drive shaft at the P.T.O. and remove.
 - E. Slide cutting unit out.
5. Remove front hanger bracket from snow thrower by removing the clevis pin and cotter hairpin.
6. Attach hanger bracket to tractor with four 5/16 bolts and sems nuts provided. See Fig. 3.
7. Attach snow thrower to mounting brackets with clevis pins and cotter hairpin. See Fig. 2.
8. Remove battery ground wire from Left Hand side plate. Attach clutch support bracket to side plate and replace battery ground wire and bolt.
9. Attach clutch rod to clutch engagement lever with 5/16 x 7/8 bolt.
10. Attach stack control rod in eye bolt. Attach clip to control rod and attach clip to clutch support bracket with clevis pin and cotter hairpin.

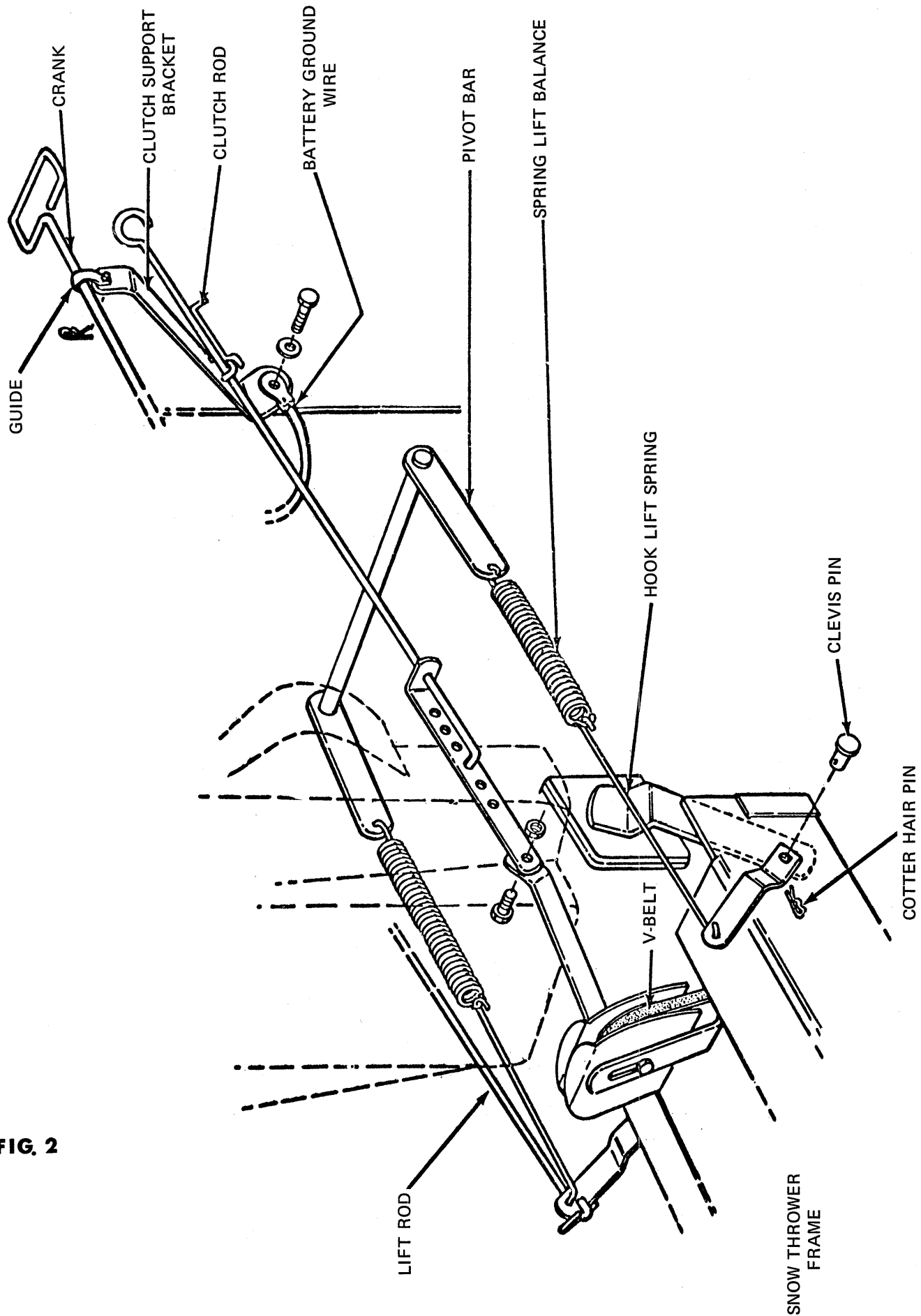
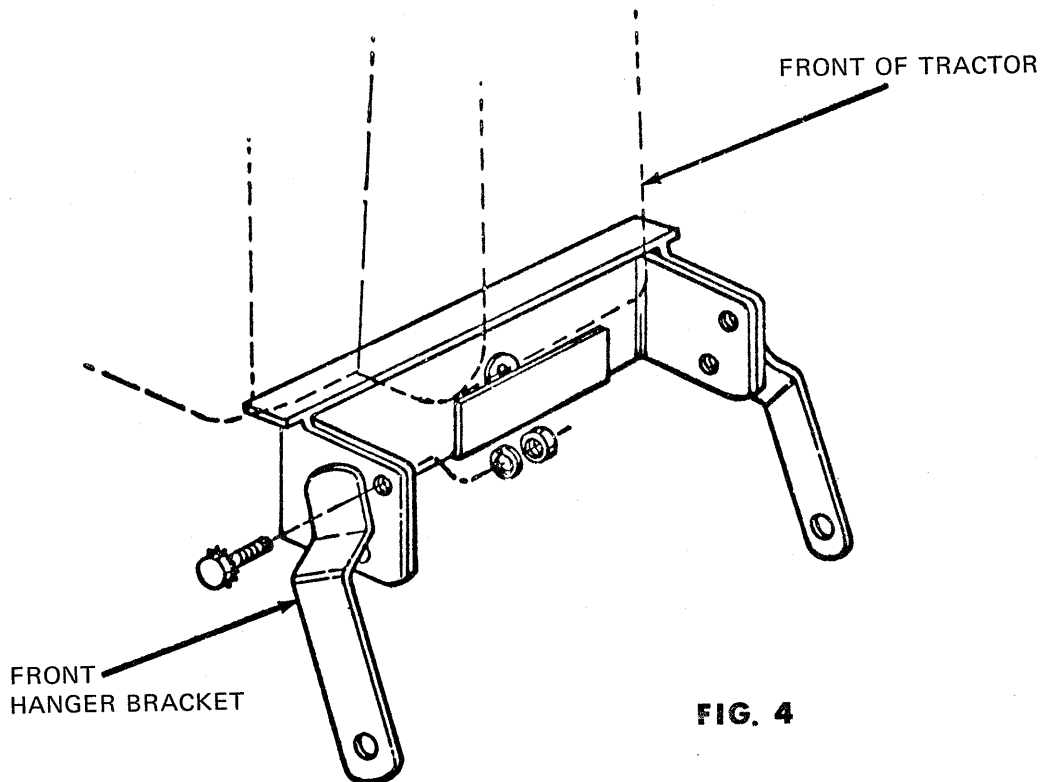
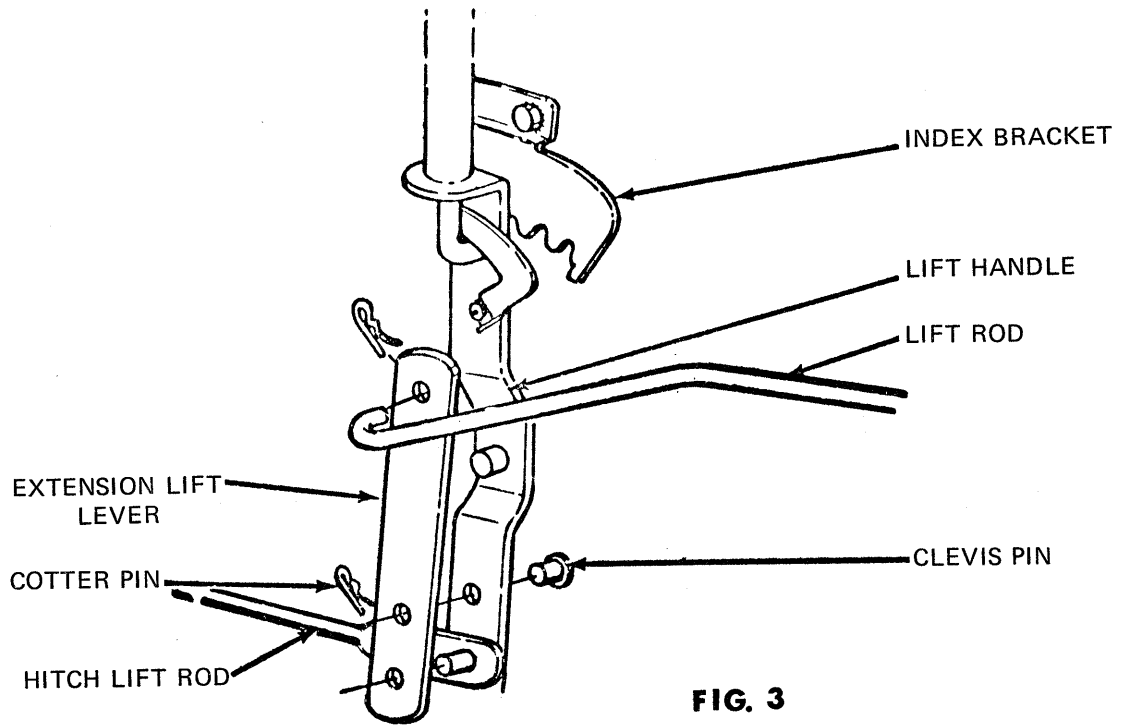


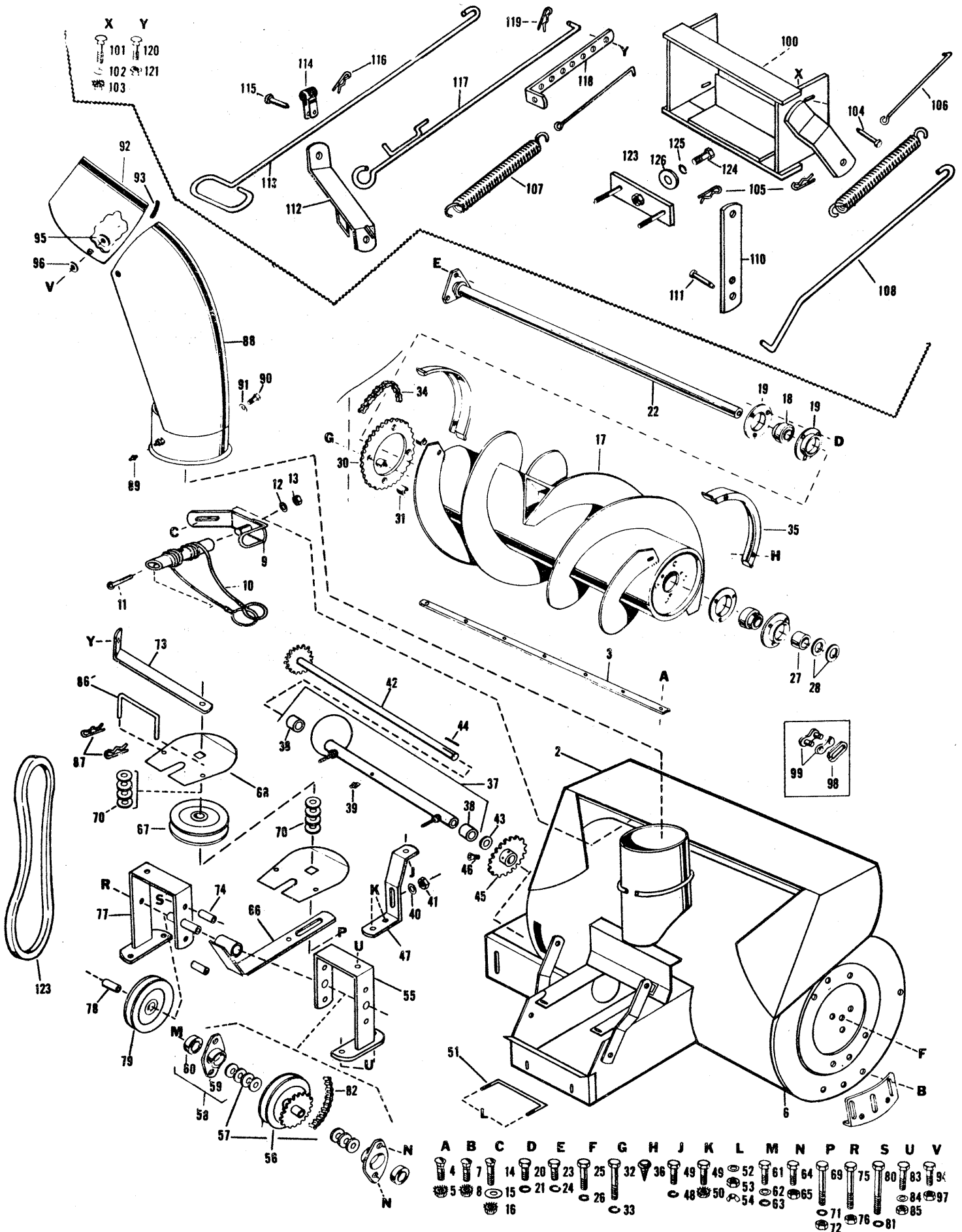
FIG. 2



11. Remove clevis pin from lift bar. Attach wire hook to one end of each spring. Attach wire hook end of spring on the snow thrower arm with hole and the other end of spring on the lift bar.
12. Remove lift hitch rod from lift handle. Insert oblong spacer between lift handle and hitch lift rod. Attach with clevis pin and cotter hairpin. (Clevis pin provided is longer than the one on the tractor.)
13. Attach lift rod to snow thrower and oblong spacer. Use cotter hairpin to attach lift rod to spacer.
14. Attach belt keeper on inside of grille with large flat washer, lockwasher and bolt provided. DO NOT TIGHTEN. Be sure belt keeper is in such a position that it will not allow the belt to come off the pulley.
15. Be sure the snow thrower is disengaged. Attach belt to front P.T.O. sheave. Tighten belt keeper.
16. Attach elbow assembly to stack control. Hook loop end of cable over the stud on the elbow.

WHEN ORDERING REPLACEMENT PARTS, PLEASE ORDER FROM:

**HABAN MANUFACTURING COMPANY
MOUND AND MARQUETTE STREET
RACINE, WISCONSIN 53404**



PARTS LIST FOR 36" SNOW THROWER MODEL NOS. 190-768 AND 191-768

Illus. No.	Part No.	Description	Illus. No.	Part No.	Description
2	6462	Assembly - Header Hsg. (AW)	32	GM-180087	Bolt - Sprocket to Auger (5/16-18 x 2 Hex Head)
3	3013	Blade - Scraper	33	GM-120214	Washer - Sprocket to Auger (5/16 Med. Lock)
4	GM-126203	Bolt - Blade to Header 1/4-20 x 5/8 Carr.	34	6474	Chain - Auger Drive 68 Links (Conn. Endless)
5	GM-271178	Nut & Lock Washer Ass'y. Blade to Header (1/4-20 Hex)	35	3036	Guard - Chain (Galvanized)
6	3045	Shoe - Skid	36	GM-9414012	Screw - Chain Guard (1/4 x 1/2 Hex Washer) Head Self Tap
7	GM-126216	Bolt - Shoe to Header (5/16-18 x 3/4) Carr.	37	6476	Assembly - Jackshaft Housing & Bushings (Complete)
8	GM-271184	Nut & Lock Washer Ass'y. - Shoe to Header (5/16-18 Hex)	38	3034	Bushing - Jackshaft
9	6336	Assembly - Stack Drive Brkt. (AW)	39	5074	Fitting - Grease (1/4-28 Self Tap. Str.)
10	6338	Assembly - Tube & Cable (Complete)	40	GM-120389	Washer - Jackshaft Hsg. to Supports (1/2 x 1-1/4 x .083 Flat)
11	3955	Eye Bolt - Drive Tube	41	GM-120238	Nut - Jackshaft Hsg. to Supports (1/2-13 Half Hex)
12	GM-120388	Washer - Eye Bolt (3/8 Flat) 7/16 x 1 x .083	42	6479	Assembly - Jackshaft & Sprocket (AW)
13	GM-9413534	Nut - Eye Bolt (3/8-16 Hex Lock)	43	3396	Washer - Drive Pulley Spacer (3/4 Flat) 49/64 x 1-1/2 x 16 Ga.
14	GM-120915	Bolt - Brkt. to Header 3/8-16 x 1 Carr.	44	S-271	Key - Drive Pulley Locking #9 Woodruff
15	4506	Washer - Brkt. to Header (3/8 Flat) 13/32 x 1-1/2 x .0598	45	6481	Assembly - Sprocket & Hub (AW)
16	GM-271190	Nut & Lock Washer Ass'y. - Brkt. to Header 3/8-16 Hex	46	GM-142671	Screw - Set (Sprocket & Hub) 5/16-18 x 1/2 Sq. Head Cup Pt.
17	3014	Assembly - Auger (36" AW)	47	6484	Bracket - Jackshaft Mounting
18	5474	Bearing - Auger	48	GM-120382	Washer - Jackshaft Mtg. Brkt. to Header Channel (3/8 Med. Lock)
19	5473	Flangette - Bearing	49	GM-180120	Bolt - Jackshaft Mtg. Brkt. to Header Channel (3/8-16 x 3/4 Hex Head)
20	GM-180075	Bolt - Auger Bearing (5/16-18 x 5/8 Hex Head)	50	GM-271190	Nut & Lock Washer Assembly - Jackshaft Mtg. Brkt. to Header Channel (3/8-16 Hex)
21	GM-120214	Washer - Auger Bearing (5/16 Med. Lock)	51	6485	Retainer - Belt (Rear)
22	3022	Assembly - Auger Shaft (36") AW	52	GM-120386	Washer - Retainer to Header Channel (1/4 Flat) 5/16 x 3/4 x .065
23	GM-180075	Bolt - Shaft to Header (5/16-18 x 5/8 Hex Head)	53	4119	Nut - Retainer to Header Channel 1/4-20 Hex Lock
24	GM120214	Washer - Shaft to Header (5/16 Med. Lock)	54	GM-126177	Nut - Retainer to Header Channel 1/4-20 Wing
25	GM-180175	Bolt - Shaft to Header (1/2-13 x 1-1/4 Hex Head)	55	6547	Assembly - Jackshaft Mounting Brkt. (AW)
26	GM-138549	Washer - Shaft to Head (1/2 Shake-proof Lock)	56	6550	Assembly - Jackshaft (Complete) (AW)
27	3916	Spacer - Auger Shaft (End Opposite Sprocket)	57	5429	Washer - (J'shaft to Brg.) (1-1/16 x 49/64 x .1196)
28	4143	Washer - Auger Shaft (1-1/32 x 1-1/2 x 1/8 Flat) Between Brg. & welded Washer	58	5030	Assembly - Bearing & Flange
29	4143	Washer - Auger Shaft (1-1/32 x 1-1/2 x 1/8 Flat) (End Opposite Sprocket for Spacing)	59	5028	Flange - Bearing
30	3026	Sprocket - Auger Driven (35 Tooth)	60	4611	Bearing
31	3027	Spacer - Sprocket			

PARTS LIST FOR 36" SNOW THROWER MODEL NOS. 190-768 AND 191-768 (Continued)

Illus. No.	Part No.	Description	Illus. No.	Part No.	Description
61	GM180120	Bolt - (J'shaft to Brg.) 3/8-16 x 3/4 Hex Head	95	3903	Washer - Deflector to Elbow 3/8 x 7/8 Concave Tooth
62	GM-120388	Washer - (J'shaft to Brg.) 3/8 Med. Flat (7/16 x 1 x .083)	96	4506	Washer - Deflector to Elbow 3/8 Flat Special (13/32 x 1-1/2 x 16 Ga.)
63	GM-120382	Washer - (J'shaft to Brg.) (3/8 Med. Lock)	97	4119	Nut - Deflector to Elbow 1/4-20 Hex Lock
64	GM-180120	Bolt - (Flange to J'shaft Brkt.) 3/8-16 x 3/4 Hex Head	98	3095	Clip - Connector Link
65	GM-9413534	Nut - (Flange to J'shaft Brkt.) 3/8-16 Hex Lock	99	3095	Link - Connector
66	6490	Assembly - Idler Arm (AW)	100	6493	Assembly - MTG. Frame (AW)
67	6488	Assembly - Idler Pulley (4-1/2 O.D. A Sec.)	101	GM-180079	Bolt - (Mtg. Frame to Tractor) 5/16-18 x 1 Hex Head
68	6495	Shield - Pulley	102	GM-446363	Washer - (Mtg. Frame to Tractor) 5/16 Flat 3/8 x 7/8 x .083
69	GM-126509	Bolt - (Pulley & Shields to Arm) 1/2-13 x 2-1/4 Carr.	103	GM-271184	Nut & Lock Washer Ass'y. - Mtg. Frame to Tractor 5/16-18 Hex
70	GM-9417098	Washer - (Pulley & Shields to Arm 1/2 Flat) (17/32 x 1 x .063)	104	3980	Pin - Clevis (Frame to Header) Assembly to Header
71	GM-138549	Washer - (Pulley & Shields to Arm) 1/2 Shakeproof Lock	105	3341	Pin - Hair Cotter (Frame to Header) Assembly to Header
72	GM-120378	Nut - (Pulley & Shields to Arm) 1/2-13 Lt. Hx.	106	6502	Hook - Lift Spring
73	6496	Strap - Clutch Rod Mounting	107	3434	Spring - Lift Balance
74	5759	Spacer - (Idler Brkt. To J'shaft Bracket)	108	6503	Rod - Lift
75	GM-180134	Bolt - (Idler Brkt. Spacer, J'shaft Bracket, Flange) 3/8-16 x 2-1/2 Hex Head	110	6504	Extension - Lift Lever
76	GM-9413534	Nut - (Idler Brkt. Spacer, J'shaft Brkt. Flange) 3/8-16 Hex Lock	111	6505	Pin - Clevis (Ext. to Tractor - Lift Lever
77	6553	Assembly - Idler Bracket (AW)	112	6506	Assembly - Rod Support Bracket (AW) (MTD with Hardware on Tractor)
78	3554	Spacer - Idler Bracket	113	6508	Rod - Crank
79	6488	Assembly - Idler Pulley (4-1/2 O.D. A Sec.)	114	6521	Guide - Crank Rod
80	GM-180192	Bolt - (Spacer & Pulley to Brkt.) 1/2-13 x 3-1/2 Hex Head	115	3694	Pin - Clevis (Guide to Support Bracket)
81	GM-138549	Washer - (Spacer & Pulley to Brkt.) 1/2 Shakeproof Lock	116	3090	Pin - Hair Cotter (Guide to Support Bracket)
82	6556	Chain - (Shaft to Rear Drive Brkt.) 46 Conn. Endless	117	6509	Assembly - Clutch Rod (SW)
83	GM-180122	Bolt - (Mtg. Brkt.) to Header Channel) 3/8-16 x 1" Hex Head	118	4743	Ext. Clutch Rod (Assembly to Rod)
84	GM-120388	Washer - (Mtg. Brkt. to Header Channel) 3/8 Flat (7/16 x 1 x .083)	119	3090	Pin - Hair Cotter (Ext. to Rod)
85	GM-271190	Nut & Lock Washer Ass'y. - (Mtg. Brkt. to Header Channel) 3/8-16 Hex	120	GM-180077	Bolt - Ext. to Clutch Rod Mtg. Strap 5/16-18 x 3/4 Hex Head
86	6498	Belt - Retainer	121	GM-9413447	Nut - Ext. to Clutch Rod Mtg. Strap 5/16-18 Hex Lock
87	3090	Pin - Hair Cotter	122	6511	V-Belt - (Main Drive) A-66 68.3 - O.C. (Ass'y. on Header)
88	4957	Assembly - Deflector & Elbow (AW)	123	6512	Assembly - Belt Popper (AW) (Engine)
89	5074	Fitting - Grease 1/4-28 Str. Self Tap	124	GM-180130	Bolt - Belt Popper to Tractor Grill 3/8-16 x 1-3/4 Hex Head
90	GM-180016	Bolt - Cable 1/4-20 x 1/2 Hex Head	125	GM-120382	Washer - Belt Popper to Tractor Grill 3/8 Med. Lock
91	GM-120386	Washer - Cable 1/4 Flat 5/16 x 3/4 x .065	126	6515	Washer - Belt Popper to Tractor Grill 3/8 Special Flat (13/32 x 2-3/8 x 3/16)
92	3052	Deflector Elbow			
93	6558	Molding - Deflector (See Note)			
94	GM-180020	Bolt - Deflector to Elbow 1/4-20 x 3/4 Hex Head			

Free Manuals Download Website

<http://myh66.com>

<http://usermanuals.us>

<http://www.somanuals.com>

<http://www.4manuals.cc>

<http://www.manual-lib.com>

<http://www.404manual.com>

<http://www.luxmanual.com>

<http://aubethermostatmanual.com>

Golf course search by state

<http://golfingnear.com>

Email search by domain

<http://emailbydomain.com>

Auto manuals search

<http://auto.somanuals.com>

TV manuals search

<http://tv.somanuals.com>