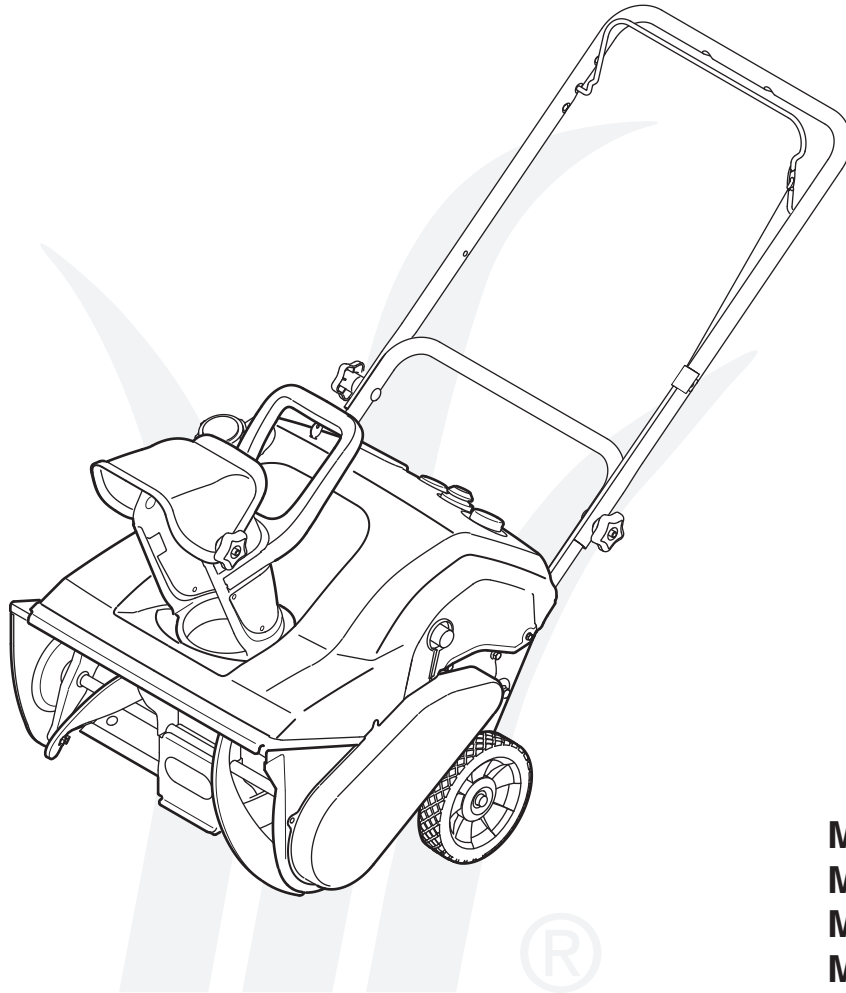


OPERATOR'S MANUAL



Model 230, S230
Model 240, S240
Model 250, S250
Model 260, S260
Model 261, S261

Single-Stage Snow Thrower

IMPORTANT

READ SAFETY RULES AND INSTRUCTIONS CAREFULLY BEFORE OPERATION

Warning: This unit is equipped with an internal combustion engine and should not be used on or near any unimproved forest-covered, brush-covered or grass-covered land unless the engine's exhaust system is equipped with a spark arrester meeting applicable local or state laws (if any). If a spark arrester is used, it should be maintained in effective working order by the operator. In the State of California the above is required by law (Section 4442 of the California Public Resources Code). Other states may have similar laws. Federal laws apply on federal lands. A spark arrester for the muffler is available through your nearest engine authorized service dealer or contact the service department, P.O. Box 361131 Cleveland, Ohio 44136-0019.


This Operator's Manual is an important part of your new snow thrower. It will help you assemble, prepare and maintain the unit for best performance. Please read and understand what it says.

Table of Contents

Safety Labels	3	Adjustments & Maintenance	10
Safe Operation Practices	4	Off-Season Storage	12
Set Up & Adjustment.....	6	Trouble Shooting	13
Know Your Snow Thrower	7	Illustrated Parts Lists	14
Operation.....	8	Warranty	18

Finding and Recording Model Number

BEFORE YOU START ASSEMBLING YOUR NEW EQUIPMENT, please locate the model plate on the equipment and copy the the model number and the serial number to the sample model plate provided to the right. You can locate the model plate by standing at the operating position and looking down at the frame.

Model Number Numéro de modèle	Serial Number Numéro de série
XXXXXXXXXXXX	XXXXXXXXXXXX
	MTD LLC CLEVELAND, OH 44136 MTD PRODUCTS LIMITED KITCHENER, ON N2G 4J1
USA-www.mtdproducts.com CAN-www.mtdcanada.com	1-800-800-7310 1-800-668-1238

Customer Support

Please do **NOT** return the unit to the retailer from which it was purchased, without first contacting Customer Support.

If you have difficulty assembling this product or have any questions regarding the controls, operation or maintenance of this unit, you can seek help from the experts. Choose from the options below:

1. Visit www.mtdcanada.ca for many useful suggestions, click on Customer Support button.
2. Call a Customer Support Representative: **For US Customers: 1-330-220-4MTD (4683) or 1-800-800-7310**

For Canadian Customers: 1-800-668-1238

3. The engine manufacturer is responsible for all engine-related issues with regards to performance, power-rating, specifications, warranty and service. Please refer to the engine manufacturer's Owner's/Operator's Manual, packed separately with your unit, for more information.

Please have your unit's model number and serial number ready when you call. See previous section to locate this information. You will be asked to enter the serial number in order to process your call.



! DANGER

- NEVER PUT HAND IN CHUTE. CAN AMPUTATE HANDS AND FINGERS.
- STOP ENGINE AND AUGER BEFORE USING CLEAN-OUT TOOL OR STICK.

- NE PLACEZ JAMAIS VOS MAINS DANS LA GOULOTTE. LES PIÈCES EN MOUVEMENT PEUVENT AMPUTER MAINS ET DOIGTS.
- ARRÊTEZ LE MOTEUR ET LA TARIÈRE AVANT D'UTILISER L'OUTIL DE DÉGAGEMENT DE LA GOULOTTE OU UN BÂTON.

! DANGER

1

Safety Labels



WARNING

This symbol points out important safety instructions which, if not followed, could endanger the personal safety and/or property of yourself and others. Read and follow all instructions in this manual before attempting to operate this machine. Failure to comply with these instructions may result in personal injury. When you see this symbol.

HEED ITS WARNING!

Your Responsibility

Restrict the use of this power machine to persons who read, understand and follow the warnings and instructions in this manual and on the machine.

2

Safe Operation Practices



WARNING

This symbol points out important safety instructions which, if not followed, could endanger the personal safety and/or property of yourself and others. Read and follow all instructions in this manual before attempting to operate this machine. Failure to comply with these instructions may result in personal injury. When you see this symbol.

HEED ITS WARNING!

Your Responsibility

Restrict the use of this power machine to persons who read, understand and follow the warnings and instructions in this manual and on the machine.



WARNING: Engine Exhaust, some of its constituents, and certain vehicle components contain or emit chemicals known to State of California to cause cancer and birth defects or other reproductive harm.

DANGER: This machine was built to be operated according to the rules for safe operation in this manual. As with any type of power equipment, carelessness or error on the part of the operator can result in serious injury. This machine is capable of amputating hands and feet and throwing objects. Failure to observe the following safety instructions could result in serious injury or death.

Training

1. Read, understand, and follow all instructions on the machine and in the manual(s) before attempting to assemble and operate. Keep this manual in a safe place for future and regular reference and for ordering replacement parts.
2. Be familiar with all controls and their proper operation. Know how to stop the machine and disengage them quickly.
3. Never allow children under 14 years old to operate this machine. Children 14 years old and over should read and understand the operation instructions and safety rules in this manual and should be trained and supervised by a parent.
4. Never allow adults to operate this machine without proper instruction.
5. Thrown objects can cause serious personal injury. Plan your snow-throwing pattern to avoid discharge of material toward roads, bystanders and the like.
6. Keep bystanders, helpers, pets and children at least 75 feet from the machine while it is in operation. Stop machine if anyone enters the area.
7. Exercise caution to avoid slipping or falling, especially when operating in reverse.

Preparation

1. Thoroughly inspect the area where the equipment is to be used. Remove all doormats, newspapers, sleds, boards, wires and other foreign objects, which could be tripped over or thrown by the auger/impeller.
2. Always wear safety glasses or eye shields during operation and while performing an adjustment or repair to protect your eyes. Thrown objects which ricochet can cause serious injury to the eyes.
3. Do not operate without wearing adequate winter outer garments. Do not wear jewelry, long scarves or other loose clothing, which could become entangled in moving parts. Wear footwear which will improve footing on slippery surfaces.
4. Use a grounded three-wire extension cord and receptacle for all units with electric start engines.
5. Adjust collector housing height to clear gravel or crushed rock surfaces.
6. Disengage all control levers before starting the engine.
7. Never attempt to make any adjustments while engine is running, except where specifically recommended in the operator's manual.
8. Let engine and machine adjust to outdoor temperature before starting to clear snow.
9. To avoid personal injury or property damage use extreme care in handling gasoline. Gasoline is extremely flammable and the vapors are explosive. Serious personal injury can occur when gasoline is spilled on yourself or your clothes, which can ignite. Wash your skin and change clothes immediately.
 - a. Use only an approved gasoline container.
 - b. Extinguish all cigarettes, cigars, pipes and other sources of ignition.
 - c. Never fuel machine indoors.
 - d. Never remove gas cap or add fuel while the engine is hot or running.
 - e. Allow engine to cool at least two minutes before refueling.
 - f. Never over fill fuel tank. Fill tank to no more than ½ inch below bottom of filler neck to provide space for fuel expansion.
 - g. Replace gasoline cap and tighten securely.
 - h. If gasoline is spilled, wipe it off the engine and equipment. Move machine to another area. Wait 5 minutes before starting the engine.
 - i. Never store the machine or fuel container inside where there is an open flame, spark or pilot light (e.g. furnace, water heater, space heater, clothes dryer etc.).
 - j. Allow machine to cool at least 5 minutes before storing.

Operation

1. Do not put hands or feet near rotating parts, in the auger/impeller housing or chute assembly. Contact with the rotating parts can amputate hands and feet.
2. The auger/impeller control lever is a safety device. Never bypass its operation. Doing so makes the machine unsafe and may cause personal injury.
3. The control levers must operate easily in both directions and automatically return to the disengaged position when released.
4. Never operate with a missing or damaged chute assembly. Keep all safety devices in place and working.
5. Never run an engine indoors or in a poorly ventilated area. Engine exhaust contains carbon monoxide, an odorless and deadly gas.
6. Do not operate machine while under the influence of alcohol or drugs.
7. Muffler and engine become hot and can cause a burn. Do not touch.
8. Exercise extreme caution when operating on or crossing gravel surfaces. Stay alert for hidden hazards or traffic.
9. Exercise caution when changing direction and while operating on slopes.
10. Plan your snow-throwing pattern to avoid discharge towards windows, walls, cars etc. Thus, avoiding possible property damage or personal injury caused by a ricochet.
11. Never direct discharge at children, bystanders and pets or allow anyone in front of the machine.
12. Do not overload machine capacity by attempting to clear snow at too fast of a rate.
13. Never operate this machine without good visibility or light. Always be sure of your footing and keep a firm hold on the handles. Walk, never run.
14. Disengage power to the auger/impeller when transporting or not in use.
15. Never operate machine at high transport speeds on slippery surfaces. Look down and behind and use care when backing up.
16. If the machine should start to vibrate abnormally, stop the engine, disconnect the spark plug wire and ground it against the engine. Inspect thoroughly for damage. Repair any damage before starting and operating.
17. Disengage all control levers and stop engine before you leave the operating position (behind the handles). Wait until the auger/impeller comes to a complete stop before unclogging the chute assembly, making any adjustments, or inspections.
18. Never put your hand in the discharge or collector openings. Always use the clean-out tool provided to unclog the discharge opening. Do not unclog chute assembly while engine is running. Shut off engine and remain behind handles until all moving parts have stopped before unclogging.
19. Use only attachments and accessories approved by the manufacturer (e.g. wheel weights, tire chains, cabs etc.).
20. If situations occur which are not covered in this manual, use care and good judgment. Contact your dealer or call (800) 800-7310 for assistance and the name of your nearest servicing dealer..

Maintenance & Storage

1. Never tamper with safety devices. Check their proper operation regularly. Refer to the maintenance and adjustment sections of this manual.
2. Before cleaning, repairing, or inspecting machine disengage all control levers and stop the engine. Wait until the auger/impeller come to a complete stop. Disconnect the spark plug wire and ground against the engine to prevent unintended starting.
3. Check bolts and screws for proper tightness at frequent intervals to keep the machine in safe working condition. Also, visually inspect machine for any damage.
4. Do not change the engine governor setting or over-speed the engine. The governor controls the maximum safe operating speed of the engine.
5. Snow thrower shave plates and skid shoes are subject to wear and damage. For your safety protection, frequently check all components and replace with original equipment manufacturer's (OEM) parts only. "Use of parts which do not meet the original equipment specifications may lead to improper performance and compromise safety!"
6. Check controls periodically to verify they engage and disengage properly and adjust, if necessary. Refer to the adjustment section in this operator's manual for instructions.
7. Maintain or replace safety and instruction labels, as necessary.
8. Observe proper disposal laws and regulations for gas, oil, etc. to protect the environment.
9. Prior to storing, run machine a few minutes to clear snow from machine and prevent freeze up of auger/impeller.
10. Never store the machine or fuel container inside where there is an open flame, spark or pilot light such as a water heater, furnace, clothes dryer etc.
11. Always refer to the operator's manual for proper instructions on off-season storage.

Do not modify engine

To avoid serious injury or death, do not modify engine in any way. Tampering with the governor setting can lead to a runaway engine and cause it to operate at unsafe speeds. Never tamper with factory setting of engine governor.

Notice regarding Emissions

Engines which are certified to comply with California and federal EPA emission regulations for SORE (Small Off Road Equipment) are certified to operate on regular unleaded gasoline, and may include the following emission control systems: Engine Modification (EM) and Three Way Catalyst (TWC) if so equipped.

Your Responsibility

Restrict the use of this power machine to persons who read, understand and follow the warnings and instructions in this manual and on the machine.

2

Safe Operation Practices



WARNING

This symbol points out important safety instructions which, if not followed, could endanger the personal safety and/or property of yourself and others. Read and follow all instructions in this manual before attempting to operate this machine. Failure to comply with these instructions may result in personal injury. When you see this symbol.

HEED ITS WARNING!

Your Responsibility

Restrict the use of this power machine to persons who read, understand and follow the warnings and instructions in this manual and on the machine.

3

Setup And Adjustment



NOTE: This Operator's Manual covers several models. Snow thrower features vary by model. Not all features discussed in this manual are applicable to all snow thrower models.

NOTE: All references to left or right side of the snow thrower is from the operating position only.

IMPORTANT: Do not use the chute handle to lift the snow thrower.

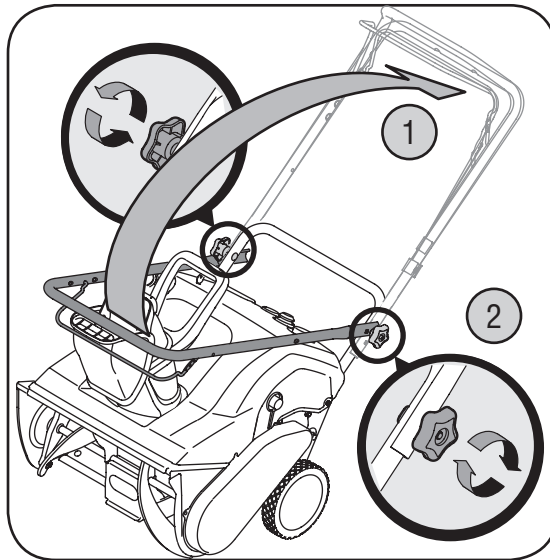


Figure 1

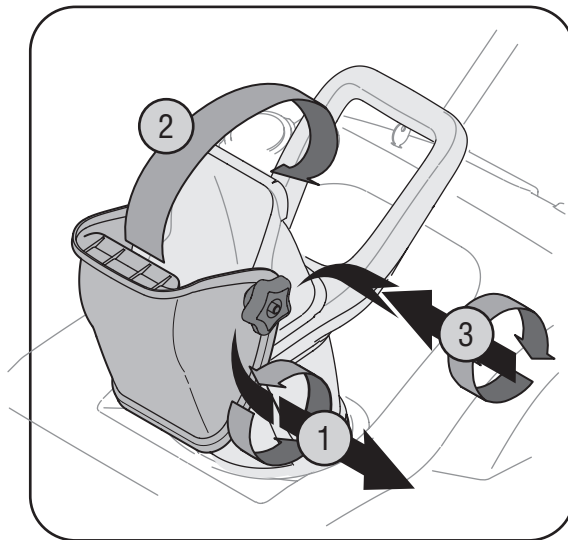


Figure 2

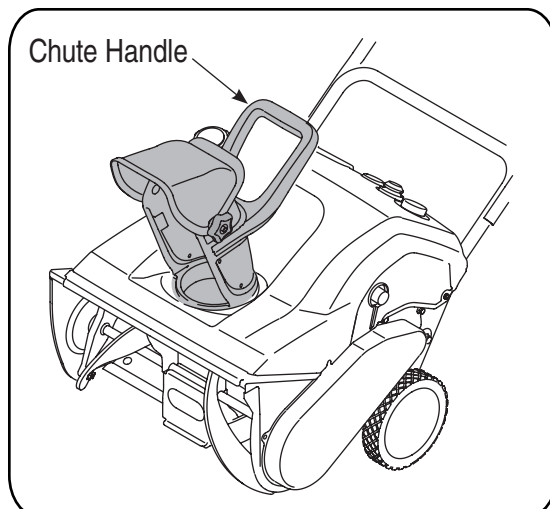


Figure 3

Contents of Carton

Carton contents are listed below with part numbers in parentheses.

1. Two Ignition Keys (725-0201)
2. 2.6 oz Bottle of 2 Cycle Oil (737-04037)
3. Extension Cord (if so equipped) (629-0236)



WARNING: Disconnect the spark plug wire and ground it against the engine to prevent unintended starting.

Positioning the Upper Handle

1. Remove packing material, if present.
2. Making sure not to pinch the cable in the process, pivot the upper handle into the operating position as illustrated in Figure 1 until it clicks into place.
3. Tighten the star knobs to secure the handle in place as in Figure 1.

Assembling the Discharge Chute

For shipping reasons, the snow thrower has been packaged with the upper chute pivoted all the way down. To pivot it upward, proceed as follows:

1. Turn the chute until the chute opening is facing straight ahead. Remove the wing knob, flat washer and carriage bolt from the lower chute. See Figure 2.
2. Pivot the upper chute upward over the lip on the lower chute so that there is NO gap between the upper chute and the lower chute.
3. Resecure with the hardware just removed. If installed correctly, your snow thrower should look like Figure 3.

IMPORTANT: Do not use the chute handle to lift the snow thrower.

4

Know Your Snow Thrower



IMPORTANT:
This unit runs on a mixture of gasoline and oil. Do NOT operate the snow thrower without first reading the engine operator's manual for instructions regarding proper fuel and engine oil.

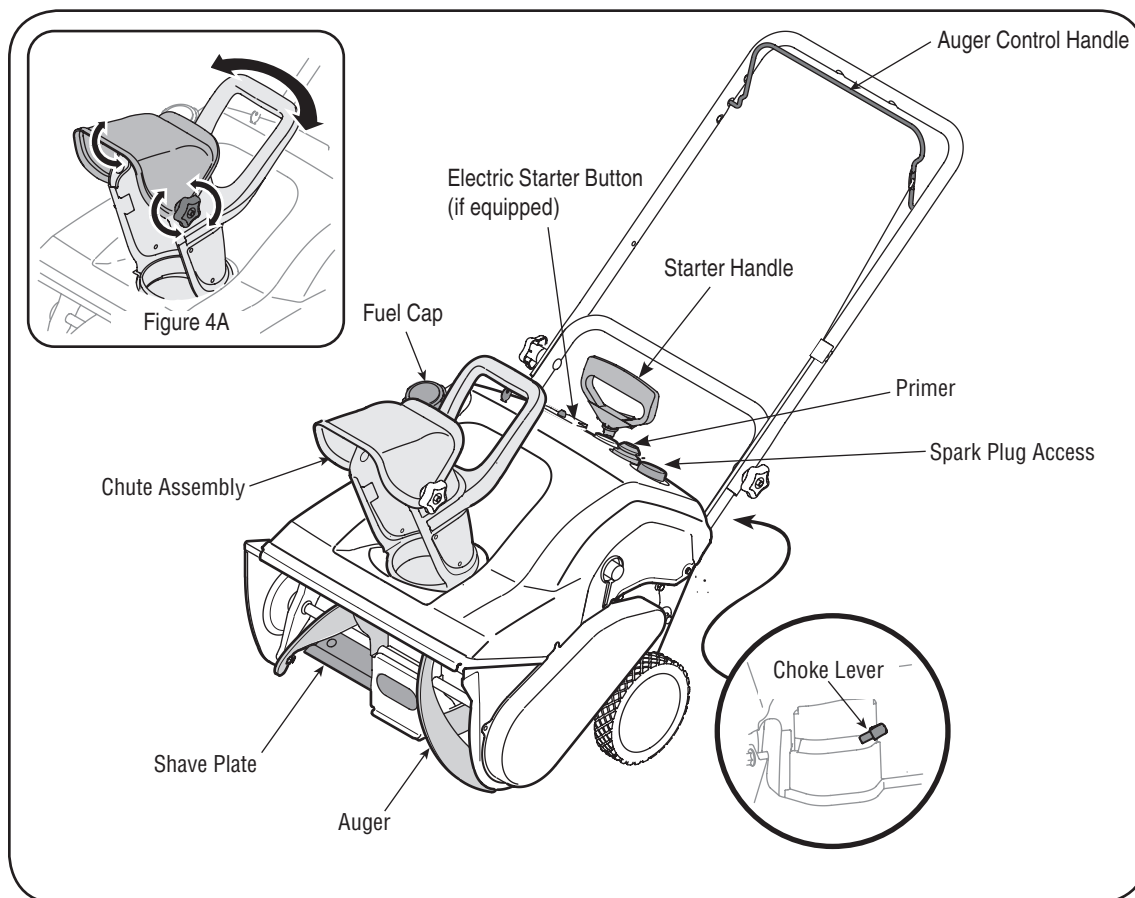


Figure 4

IMPORTANT: This unit runs on a mixture of gasoline and oil. Do NOT operate the snow thrower without first reading the engine operator's manual for instructions regarding proper fuel and engine oil.

Choke Lever

Activating choke control closes the choke plate on carburetor and aids in starting engine. Refer to the engine manual packed with unit for more detailed instructions.

Primer

Depressing primer forces fuel directly into engine's carburetor to aid in cold-weather starting. Refer to engine manual packed with unit for more detailed instructions.

Ignition Key

Ignition key **must** be present, inserted in key switch, and in the "ON" position for engine to start.

Recoil Starter

The starter handle is used to manually start the engine.

Electric Starter Button (If so equipped)

Pressing the electric starter button engages the engine's electric starter when plugged into a 120V power source

Electric Starter Plug (If so equipped)

Requires use of a two-prong outdoor extension cord (packed with the snow thrower) and a 120V power source/wall outlet.

Spark Plug Cover

Remove spark plug cover to access spark plug.

Auger

When engaged, the augers rotation draws snow into the auger housing and throws it out the discharge chute. Rubber paddles on the augers also aid in propelling the unit as they come in contact with the pavement.

Auger Control Handle

Located on the upper handle, the auger control handle is used to engage and disengage drive to the auger. Squeeze the control handle against the upper handle to engage auger; release it to disengage.

Discharge Chute / Chute Handle

Rotate the discharge chute to the left or right using chute handle. Pitch of the discharge chute controls angle at which the snow is thrown. Loosen wing knob on side of the discharge chute before pivoting discharge chute upward or downward. Retighten the knob once desired position has been achieved.

Shave Plate

The shave plate maintains contact with pavement as the snow thrower is propelled, allowing snow close to pavement's surface to be discharged.

5

Operation



WARNING

Read, understand, and follow all instructions and warnings on the machine and in this manual before operating.

Use extreme care when handling gasoline. Gasoline is extremely flammable and the vapors are explosive. Never fuel the machine indoors or while the engine is hot or running. Extinguish cigarettes, cigars, pipes and other sources of ignition.

The electric starter must be used with a properly grounded three-prong receptacle at all times to avoid the possibility of electric shock. Follow all instructions carefully prior to operating the electric starter.

Before Starting



WARNING: Before starting the engine, read, understand, and follow all instructions and warnings on the machine and in this manual.

1. The spark plug wire was disconnected for safety. Attach spark plug wire to spark plug before starting.

IMPORTANT: For complete and detailed engine starting, stopping and storing instructions, it is recommended that you read the engine manual also included with this unit.

Fuel And Oil Mixture



WARNING: Use extreme care when handling gasoline. Gasoline is extremely flammable and the vapors are explosive. Never fuel machine indoors or while the engine is hot or running. Extinguish cigarettes, cigars, pipes and other sources of ignition.

IMPORTANT: This unit runs on a mixture of gasoline and oil. Do NOT operate the snow thrower without first reading the engines operator's manual for detailed instructions regarding proper fuel and engine oil. Do NOT operate the snow thrower without the fuel cap securely in place on the fuel tank.

Positioning the Discharge Chute

1. Loosen the star knob found on the left side of the discharge chute and pivot the upper chute upward or downward to the desired pitch. Retighten the star knob before operating the snow thrower.



Figure 5

2. Rotate the discharge chute to the left or right using the chute handle. See Figure 5.

To Start Engine

1. Insert ignition key into slot.
2. Now follow the instructions below as it pertains to your unit. See Figure 5 for location of controls.

Electric Starter (if equipped)



WARNING: The electric starter must be used with a properly grounded three-prong receptacle at all times to avoid the possibility of electric shock. Follow all instructions carefully prior to operating the electric starter.

1. The electric starter is equipped with a grounded three-wire power cord and plug, and is designed to operate on 120 volt AC household current.
2. Determine that your house wiring is a three-wire grounded system. Ask a licensed electrician if you are not certain.
3. **If your home wiring system is not a three-wire grounded system**, do not use this electric starter under any conditions.
4. **If your home electrical system is grounded**, but a three-hole receptacle is not available, one should be installed by a licensed electrician before using the electric starter.
5. **If you have a grounded three-prong receptacle**, proceed as follows.
6. Move Choke Control to the "Full" position.
7. Push Primer three (3) times, making sure to cover vent hole when pushing.
8. Connect power cord to switch box on dash panel. Plug the other end of power cord into a three-prong 120-volt, grounded, AC receptacle.
9. Push starter button to crank engine.
10. When engine starts, release starter button, and move choke gradually to 1/2 Choke until the engine runs smoothly. Next move Choke to OFF. If engine falters, move choke immediately to FULL and then gradually to 1/2 then to OFF.
11. Disconnect the power cord. **Always unplug from the outlet first, and then from the snow thrower.**

Recoil Starter

1. Move choke lever to FULL choke position (*cold engine start*).
2. If engine is warm, place choke in OFF position instead of FULL.
3. Push Primer three (3) times, making sure to cover vent hole when pushing.
4. If engine is warm, push primer button only once.

NOTE: Always cover vent hole in primer button when pushing. Additional priming may be necessary for first start if temperature is below 15 degrees Fahrenheit.

5. Grasp starter handle and pull rope out slowly, until it pulls slightly harder. Let rope rewind slowly.
6. Pull starter handle rapidly. Do not allow handle to snap back. Allow it to rewind slowly while keeping a firm hold on the starter handle.

- As engine warms up and begins to operate evenly, rotate choke lever slowly to the 1/2 Choke position. When the engine begins to run smoothly, move the choke to the OFF position. If engine falters, return to FULL choke, then slowly move to 1/2 then OFF position.

To Stop Engine

- To stop engine, turn ignition key counter-clockwise. Disconnect the spark plug wire from the spark plug to prevent accidental starting while equipment is unattended.

To help prevent possible freeze-up of starter, proceed as follows:

- Run engine for a few minutes before stopping to help dry off any moisture on the engine.
- Electric Starter: Connect power cord to switch box on engine, then to 120 volt AC receptacle. With the engine running, push starter button and spin the starter for several seconds. The unusual sound made by spinning the starter will not harm engine or starter. Disconnect the power cord from receptacle first, and then from switch box.
- Recoil Starter: With engine running, pull starter rope with a rapid, continuous full arm stroke three or four times. Pulling the starter rope will produce a loud clattering sound, which is not harmful to the engine or starter.
- Wipe all snow and moisture from the carburetor cover in the area of the control levers. Also, move control levers back and forth several times. Leave choke control in the FULL choke position.
- Remove ignition key and disconnect spark plug wire to prevent accidental starting.

Operating the Snow Thrower

The pitch of the chute assembly controls the angle at which the snow is thrown.

- Loosen the star knob found on the left side of the chute assembly and pivot the upper chute upward or downward to the desired pitch. Retighten the star knob before operating the snow thrower.
- Position the chute assembly opening by using the Chute Handle to throw the snow in the desired direction. See inset Figure 6.

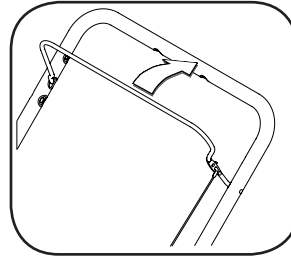


Figure 6

Clearing Snow



WARNING: Never operate the snow thrower with bystanders in front of or near the discharge chute opening.

- Engage the auger by squeezing the auger control handle against the upper handle. See Figure 5.
- Lift up slightly on the handle to allow the rubber paddles on the auger to contact the pavement and propel the snow thrower forward. Pushing downward on the handle will raise the augers off the ground and stop forward motion.
- Discharge snow downwind whenever possible. Slightly overlap each previously cleared path.

NOTE: Excessive upward pressure on the handle will result in premature wear on the rubber auger blades which would not be covered by warranty.

Operating Tips

- Run the engine for a few minutes before stopping to help dry any moisture on the engine.
- Clean the snow thrower thoroughly after each use.



WARNING: Muffler, engine and surrounding areas become hot and can cause a burn. Be careful and do not touch when hot.

5

Operation



WARNING

Muffler, engine and surrounding areas become hot and can cause a burn. Do not touch.

Never operate the snow thrower with bystanders in front of or near the discharge chute opening.



NOTE: Excessive upward pressure on the handle will result in premature wear on the rubber auger blades which would not be covered by warranty.

6

Adjustments & Maintenance



WARNING

Disconnect the spark plug wire and ground it against the engine to prevent unintended starting.

NEVER attempt to make any adjustments while the engine is running, except where specified in the operator's manual.

Before servicing, repairing, or inspecting, disengage the control bail and stop engine. Wait until all moving parts have come to a complete stop.

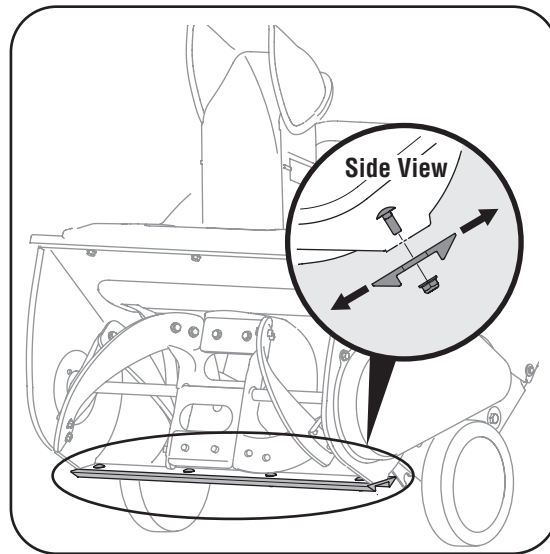


Figure 7

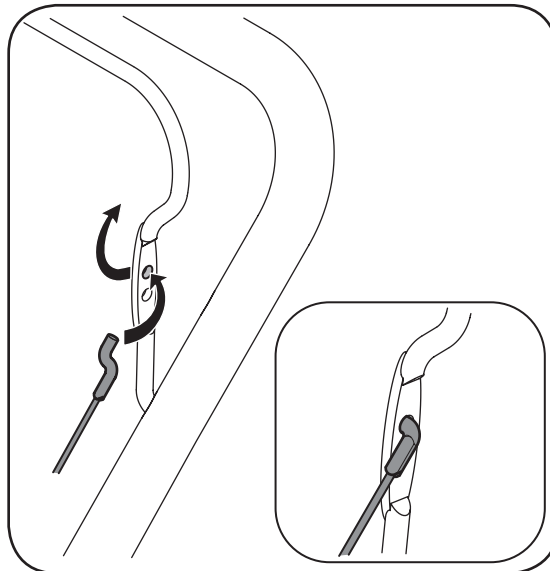


Figure 8



WARNING: Disconnect the spark plug wire and ground it against the engine to prevent unintended starting.



WARNING: NEVER attempt to make any adjustments while the engine is running, except where specified in the operator's manual.

Shave Plate

1. To check the adjustment of the shave plate, place the unit on a level surface. The wheels, shave plate and augers should all contact level surface. Note that if the shave plate is adjusted too high, snow may blow under the housing. If the shave plate wears out excessively, or the unit does not self-propel, the shave plate may be too low and needs to be adjusted.

NOTE: On new units or units with a new shave plate installed, the augers may be slightly off the ground.

2. To adjust, tip the snow thrower back so that it rests on the handle. Loosen the lock nuts and bolts which secure the shave plate to the housing. See Figure 7. Move the shave plate to desired position and retighten the nuts and bolts securely.

Replacing Shave Plate

The shave plate is attached to the bottom of the auger housing and is subject to wear. It should be checked periodically. There are two wearing edges and the shave plate can be reversed. Refer to Figure 7.

1. Remove the carriage bolts and hex lock nuts which attach it to the snow thrower housing.
2. Install new shave plate, making sure the heads of the carriage bolts are on the inside of the housing.
3. Adjust the shave plate according to instructions above. Tighten the nuts securely before operating the snow thrower.

NOTE: For information regarding the price and availability of Shave Plate Kit refer to customer support on page 2.

Control Cable

As a result of both the control cable and the drive belt stretching due to wear, periodic adjustments may be necessary.

If the auger seems to hesitate when rotating while the engine maintains a constant speed, an adjustment is necessary. Proceed as follows:

The upper hole in the control handle provides for an adjustment in cable tension. To adjust, disconnect the end of control cable from the bottom hole in the control handle and reinsert it in the upper hole. Insert the cable from the outside as shown in Figure 8. Test the snow thrower to see if there is a noticeable difference.

Carburetor



WARNING: If any adjustments need to be made to the engine while the engine is running (e.g. carburetor), keep clear of all moving parts. Be careful of muffler, engine and other surrounding heated surfaces.

1. Refer to the separate engine manual, packed with your unit, for carburetor adjustment information.

Replacing Belt



WARNING: Before servicing, repairing, or inspecting, disengage the control bail and stop engine. Wait until all moving parts have come to a complete stop. Disconnect spark plug wire and ground it against the engine to prevent unintended starting.

Remove the belt cover by removing five hex screws. See Figure 9. Then simply pull the belt off by grasping it from the bottom of the auger pulley and pulling off. Once you remove the belt from the pulleys, you can push down on the idler pulley to release the belt from under the belt keeper.

To replace the belt follow these instructions and refer to Figure 10:

1. Push down on the Idler pulley.
2. Put belt on top of the auger pulley, under belt keeper.
3. Thread belt around engine pulley.
4. Push belt over bottom of auger pulley.

Reinstall the belt cover removed earlier.

Engine

1. Refer to the separate engine manual for all engine maintenance procedures.
2. Check engine and snow thrower frequently for loose hardware, and tighten as needed.

Lubrication

Lubricate pivot points on the control handle and the extension spring at the end of the control cable with a light oil once every season and before storage of the snow thrower at the end of the season.

Replacing Auger Paddles

The snow thrower auger's rubber paddles are subject to wear and should be replaced if any signs of excessive wear is present.

IMPORTANT: Do NOT allow the auger's rubber paddles to wear to the point where portions of the metal auger itself can come in contact with the pavement. Doing so can result in serious damage to your snow thrower.

NOTE: For information regarding the price and availability of Auger Kit refer to customer support on page 2.

To change the rubber paddles, proceed as follows:

1. Remove the existing rubber paddles by unscrewing the self-tapping screws which secure them to the auger. See Figure 11.
2. Secure the replacement rubber paddles to the auger using the hardware removed earlier.

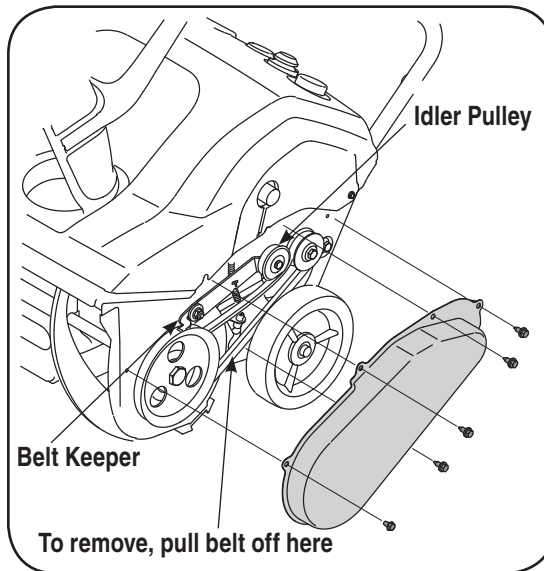


Figure 9

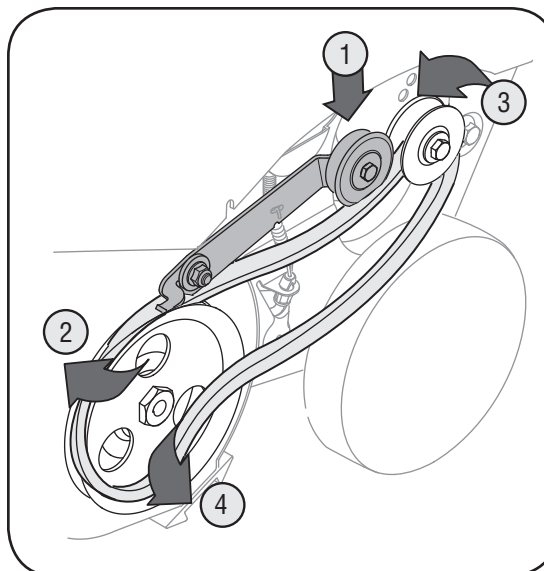


Figure 10

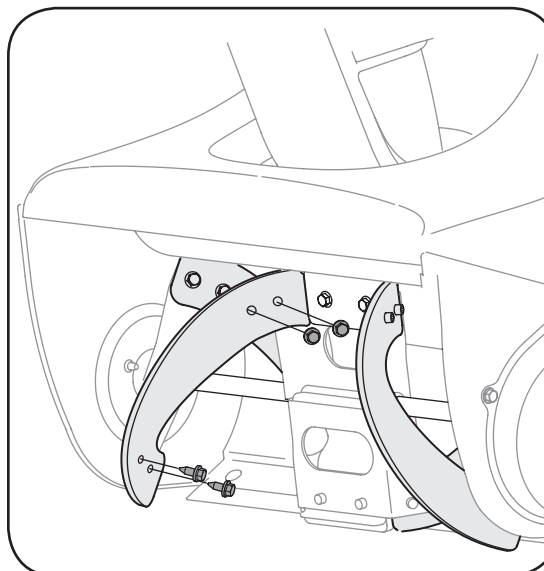


Figure 11

6

Adjustments & Maintenance



WARNING

Before servicing, repairing, or inspecting, disengage the control bail and stop engine. Wait until all moving parts have come to a complete stop. Disconnect spark plug wire and ground it against the engine to prevent unintended starting.



IMPORTANT: Do NOT allow the auger's rubber paddles to wear to the point where portions of the metal auger itself can come in contact with the pavement. Doing so can result in serious damage to your snow thrower.

7

Off-Season Storage



WARNING

Never store snow thrower with fuel in tank indoors or in poorly ventilated areas, where fuel fumes may reach an open flame, spark or pilot light as on a furnace, water heater, clothes dryer or gas appliance.

Drain fuel into an approved container outdoors, away from any open flame. Be certain engine is cool. Do not smoke. Fuel left in engine during warm weather deteriorates and will cause serious starting problems.

Do not drain carburetor if using fuel stabilizer. Never use engine or carburetor cleaning products in the fuel tank or permanent damage may occur.

Observe the following, when preparing your snow thrower for off-season storage:

- Drain fuel into an approved container outdoors, away from any open flame. Allow engine to cool. Extinguish cigarettes, cigars, pipes and other sources of ignition prior to draining fuel. Fuel left in engine during warm weather deteriorates and will cause serious starting problems.
- If unit is to be stored over 30 days, prepare for storage as instructed in the separate engine manual packed with your unit.
- Run engine until fuel tank is empty and engine stops due to lack of fuel.
- Remove gasoline from carburetor and fuel tank to prevent gum deposits from forming on these parts and causing possible malfunction of engine.
- Drain carburetor by pressing upward on bowl drain, located below the carburetor cover.
- Fuel stabilizers, such as STA-BIL®, are an acceptable alternative in minimizing the formation of fuel gum deposits during storage. Do not drain carburetor if using a fuel stabilizer.
- Wipe equipment with an oiled rag to prevent rust.
- Remove spark plug and pour one ounce of engine oil through spark plug hole into cylinder. Cover spark plug hole with rag. Crank engine several times to distribute oil. Replace spark plug.
- Follow the lubrication recommendations found in the Maintenance Section.
- Always store the snow thrower in a clean, dry area.

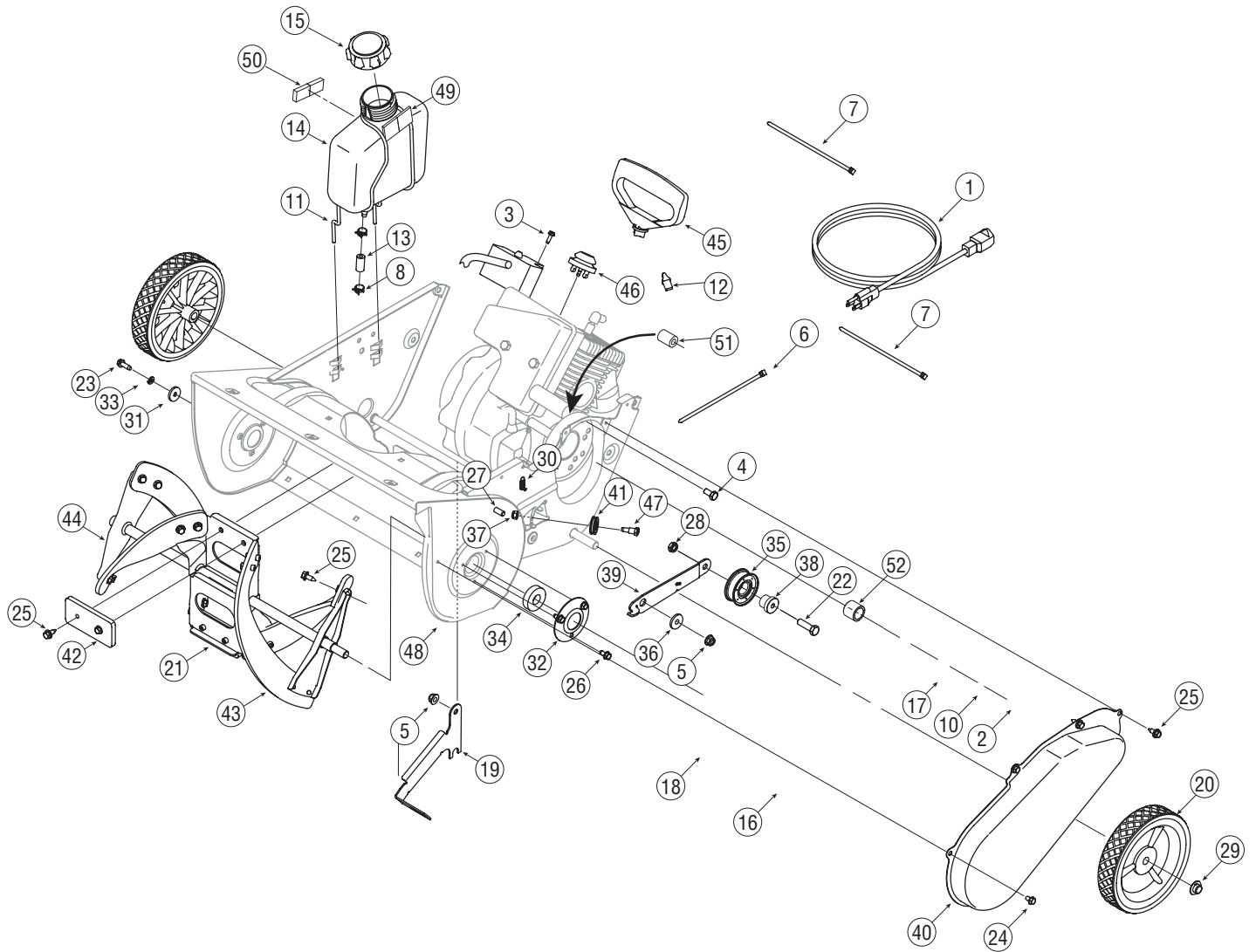
Problem	Cause	Remedy
Engine fails to start	<ol style="list-style-type: none"> 1. Choke not in ON position. 2. Spark plug wire disconnected. 3. Fuel tank empty or stale fuel. 4. Engine not primed. 5. Faulty spark plug. 6. Blocked fuel line. 7. Safety key not in ignition on engine. 8. Fuel shut-off valve closed. (If 	<ol style="list-style-type: none"> 1. Move choke to ON position. 2. Connect wire to spark plug. 3. Fill tank with clean, fresh gasoline. 4. Prime engine as instructed in "Operating Your Snow Thrower". 5. Clean, adjust gap, or replace. 6. Clean fuel line. 7. Insert key fully into the switch. 8. Open fuel shut-off valve.
Engine runs erratic	<ol style="list-style-type: none"> 1. Unit running on CHOKE. 2. Blocked fuel line or stale fuel. 3. Water or dirt in fuel system. 4. Carburetor out of adjustment. 	<ol style="list-style-type: none"> 1. Move choke lever to OFF position. 2. Clean fuel line; fill tank with clean, fresh gasoline. 3. Drain fuel tank. Refill with fresh fuel. 4. Contact Service Center.
Engine overheats	<ol style="list-style-type: none"> 1. Carburetor not adjusted properly. 	<ol style="list-style-type: none"> 1. Contact Service Center.
Excessive Vibration	<ol style="list-style-type: none"> 1. Loose parts or damaged auger. 	<ol style="list-style-type: none"> 1. Stop engine immediately and disconnect spark plug wire. Tighten all bolts and nuts. If vibration continues, have unit serviced by a Service Center.
Loss of power	<ol style="list-style-type: none"> 1. Spark plug wire loose. 2. Gas cap vent hole plugged. 3. Exhaust port plugged. 	<ol style="list-style-type: none"> 1. Connect and tighten spark plug wire. 2. Remove ice and snow from gas cap. Be certain vent hole is clear. 3. Contact Service Center.
Unit fails to propel itself	<ol style="list-style-type: none"> 1. Drive control cable in need of adjustment. 2. Drive belt loose or damaged. 	<ol style="list-style-type: none"> 1. Adjust drive control cable. Refer to "Adjustments". 2. Replace drive belt.
Unit fails to discharge snow	<ol style="list-style-type: none"> 1. Chute assembly clogged. 2. Foreign object lodged in auger. 3. Auger belt loose or damaged. 	<ol style="list-style-type: none"> 1. Stop engine immediately and disconnect spark plug wire. Clean chute assembly and inside of auger housing with clean-out tool or a stick. 2. Stop engine immediately and disconnect spark plug wire. Remove object from auger. 3. Refer to Maintenance section.

8

Trouble-Shooting



NOTE: This section addresses minor service issues. For further details, contact customer assistance.



Models/Modèles 230-260

REF NO. N° DE RÉF	PART NO. N° DE PIÈCE	DESCRIPTION	DESCRIPTION
1	629-0236	Cord-Extension 110V3M 2 Prong	Corde
2	710-0627	Hex L-Bolt 5/16-24 x .75 Gr. 5	Boulon hex 5/16-24 x 0,75 Qual. 5
3	710-1003	Hex Wash B-Tapp Scr #10 x .62" Lg.	Vis taraudée n°. 10 x 0,62 po de lg.
4	710-3025	Screw-Hex Cap	Vis à tête hex
5	712-04063	Flange Locknut 5/16-18 Gr. F, Nylon	Contre-écrou à embase 5/16-18 Qual. F, nylon
6	725-0157	Cable Tie	Attache-câble
7	726-0154	Push Mount Tie	Tige de poussoir
8	726-0205	Hose Clamp	Collier
10	736-0242	Cupped Washer .340 ID x .872 OD x .06	Rondelle creuse 0,340 DI x 0,872 DE x 0,06
11	747-04150	Gas Tank Support Wire	Fil de support - réservoir à carburant
12	7511825510	Choke Lever Knob	Manette du volet de départ
13	751-0535	Fuel Line	Ligne d'essence
14	751-10023	Fuel Tank 2 Quart	Réservoir de carburant de 2 quarts
15	751-10278	Cap-Fuel	Capuchon d'essence
16	754-0101A	V-Belt 1/2 x 35.0" Lg.	Courroie trapezoïdale 1/2 x 35,0 po de lg
*	754-0367	V-Belt (3.5 HP Tec. only)	Courroie trapezoïdale (Tec. 3,5 HP seulement)
17	756-0416B	Pulley Half .625 ID x 2.25 OD	Moitié poulie 0,625 DI x 2,25 DE
18	756-04232	V-Pulley 1/2 x 6,0" OD (5.0 Tec. HP only)	Poulie, 1/2 x 6,0" DE (Tec. 5,0 HP seulement)
*	756-04243	Pulley (3.5 HP Tec. only)	Poulie (Tec. 3,5 HP seulement)
19	790-00225	2-cycle Mounting Bracket	Support de montage
20	734-04225	Wheel, 7 x 1.50 dia. Lug	Roue, 7 x 1,50 diam. Lug
21	684-04228	Auger Assembly	Ensemble de la tarière
22	710-0106	Hex Screw 1/4-20 x 1.25 Gr. 5	Vis à tête hexagonale 1/4-20 x 1,25 Qual 5
23	710-0642	Thd Forming Scr. 1/4-20 x .75 Lg.	Vis taraudée 1/4-20 x 0,75 lg.
24	710-0653	Hex Wash HD Tapp Scr 1/4-20 x .375	Vis auto-taraudeuse hexagonale 1/4-20 x 0,375
25	710-0896	Hex B-Tap Scr 1/4-28 x .25" Lg	Vis taraudée à tête hexagonale 1/4-28 x 0,25
26	710-0352	Hex Tap Scr. 1/4-14 x .375" Lg.	Vis taraudée 1/4-14 x 0,375 po de lg.
27	710-3008	Hex Bolt 5/16-18 x .75" Lg. Gr. 5	Boulon hex. 5/16-18 x 0,75 po de lg. Qual. 5
28	712-04064	Flange Locknut 1/4-20 Gr. F, Nylon	Contre-écrou à embase 1/4-20 Qual. F, nylon
29	726-0299	Push Cap x 1/2" Rod	Écrou pour tige de 1/2 po
30	732-0357A	Extension Spring .33 OD x 1.12 Lg.	Ressort d'extension 0,33 DE x 1,12 po de lg
31	736-0176	Flat Washer .25 ID x .93 OD x .125	Rondelle plate 0,25 DI x 0,93 DE x 0,125
32	790-00249	Bearing Cup	Roulement à cuvette
33	736-0329	L-Wash 1/4 ID	Rondelle frein 1/4 DI
34	741-04188	Ball Bearing .625 x 37 x 12.63	Roulement à billes 0,625 x 37,0 x 12,63
35	684-04168	Idler Pulley (1/4" hole)	Poulie du tendeur (trou 1/4 po)
36	748-0234	Shoulder Spacer .25 Thk.	Entretoise épaulée
37	712-0896	Hex Ins Jam L-Nut 1/4-28	Contre-écrou de blocage 1/4-28
38	750-04571	Shoulder Spacer	Entretoise
39	790-00283	Idler Bracket	Support du tendeur
40	790-00045A	Belt Cover	Couvercle de courroie
41	756-0625	Cable Guide Roller	Guide du câble
42	735-04033	Rubber Paddle	Pale en caoutchouc
43	735-04032	Rubber Spiral-Crescent	Spirale en caoutchouc - croissant
44	684-04202	Auger Ass'y 21" w/Solid Shaft (w/o rubber paddels)	Ensemble de la tarière de 21 po avec arbre solide (sans pale en caoutchouc)
45	7510009636	Recoil Handle, Mitten	Poignée du démarreur
46	7512B1476	Primer	Amorçeur
47	738-0924A	Hex Shld.Scr.1/4-28 x .375	Vis à épaulement 1/4-28 x 0,375
48	684-04227	Auger Assembly Housing	Logement de la tarière
49	721-04006	Fuel Tank Gasket	Joint
50	722-3022	Tape	Bande
* 51	750-0589	Spacer .325 ID x .625 OD x .88	Entretoise 0,325 DI x 0,625 DE x 0,88
* 52	750-0716A	Spacer .630 x .88 x .747	Entretoise 0,630 DI x 0,88 DE x 0,747

* 3.5 HP Tec. only/3,5 HP Tec. seulement

31A-2501
5.17.06

NOTE: Snow thrower features/components vary by model. NOT all parts listed above and pictured on the previous page are standard equipment.

9

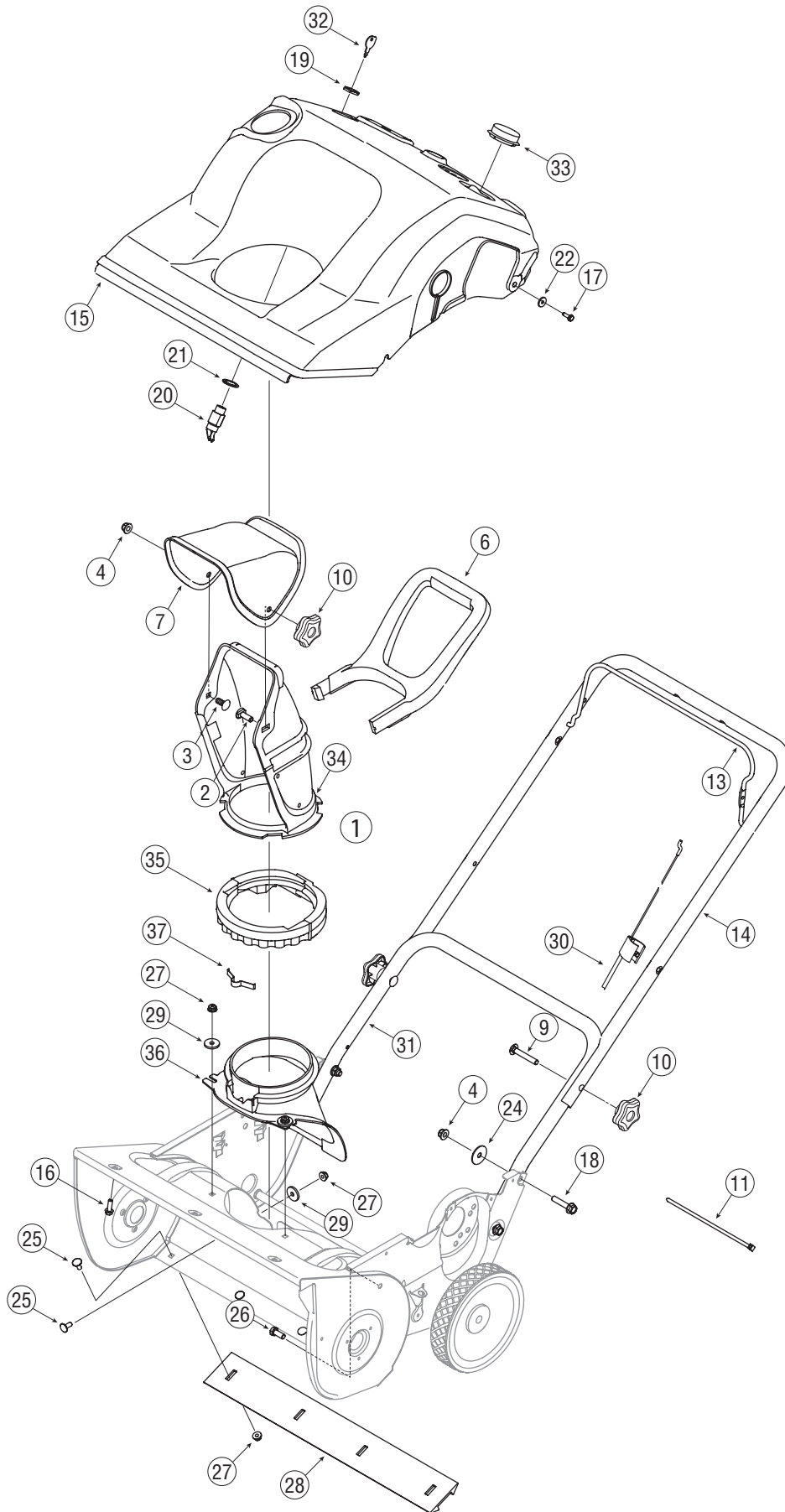
Illustrated Parts/ Pièces détachés



For parts and/or accessories refer to customer support on page 2.

Adressez-vous au «Service après-vente» à la page 2 pour ce qui concerne les pièces et/ou accessoires.

Models/Modèles 230-260



Models/Modèles 230-260

REF NO. N° DE RÉF	PART NO. N° DE PIÈCE	DESCRIPTION	DESCRIPTION
1	684-04127	Lower Chute Ass'y (Incl. #5-7 and 10)	Ens. de la goulotte inf. comp. les nos. 5-7 et 10
2	710-04071	Carriage Screw 5/16-18 x 1.0	Vis ordinaire 5/16-18 x 1,0
3	710-0451	Carriage Bolt 5/16-18 x .75	Boulon ordinaire 5/16-18 x 0,75
4	712-04063	Flange Locknut 5/16-18 Gr. F, Nylon	Contre-écrou à embase 5/16-18 Qual. F, nylon
5	720-0284	Handle Knob Assembly	Bouton
6	731-04388A	Chute Handle	Poignée - goulotte d'éjection
7	731-04354A	Upper Chute	Goulotte supérieur
8	736-0159	Flat Washer .349 ID x .879 OD x .063	Rondelle plate 0,349 DI x 0,879 DE x 0,063
9	710-04532	Carriage Bolt 5/16-18 x 2.0 Gr. 5	Boulon ordinaire 5/16-18 x 2,0 Qual. 5
10	720-04072	Handle Knob Assembly	Bouton
11	725-0157	Cable Tie	Attache-câble
13	747-04165	Gull Wing Bail	Étier de suspension
14	749-1092A	Upper Handle	Guidon supérieur
15	684-04144	Shroud Ass'y (3.5 HP)	Capot (3,5 HP)
	684-04145	Shroud Ass'y (4.5 HP)	Capot (4,5 HP)
16	710-04187	Hi-Lo Screw 1/4-15 x .50	Vis 1/4-15 x 0,50
17	710-1003	Hex Wash B-Tapp Scr #10 x .62" Lg.	Vis taraudée no. 10 x 0,62 po de lg.
18	710-1882	Hex Scr. 5/16-18 x 1.50 Gr. 5	Vis hexagonal 5/16-18 x 1,50 Qual. 5
19	712-0252	Hex Nut 5/8-32 x .12 Special	Écrou à six pans 5/8-32 x 0,12 speciale
20	725-2018	Key Switch-Electric Start	Contacteur d'allumage - démarreur électrique
21	736-0225	L-Washer Internal	Rondelle frein interne
22	736-0400	Flat Washer .218" ID x .62" OD	Rondelle plate 0,218" DI x 0,62" DE
24	736-0362	Flat Washer .22 ID x 1.25	Rondelle plate 0,22 DI x 1,25
25	710-0134	Carriage Bolt 1/4-20 x .62	Boulon ordinaire 1/4-20 x 0,62
26	710-3008	Hex Bolt 5/16-18 x .75" Lg. Gr. 5	Boulon hex. 5/16-18 x 0,75 po de lg. Qual. 5
27	712-04064	Hex L-Flanged Nut 1/4-20 Gr. F Nylon	Contre-écrou à embase 1/4-20 Qual. F nylon
28	731-1033	Shave Plate	Grattoir
29	736-0176	Flat Washer .25 ID x .93 OD x .125	Rondelle plate 0,25 DI x 0,93 DE x 0,125
30	746-04237	Control Cable	Câble de la commande
31	749-04114	Lower Handle	Guidon inférieur
32	725-0201	Ignition Key	Clavette
33	731-1133C	Spark Plug Cover	Couvercle de la bougie
34	731-04127	Lower Chute 5" Dia	Goulotte d'éjection inferieur dia. 5 po
35	731-04353	Ring-Lower Chute	Bague - goulotte d'éjection inférieur
36	731-04886	Chute Adapter 5" Dia	Adaptateur de la goulotte 5 po de dia.
37	732-04111	Chute Adjustment Spring	Ressort d'ajustement - goulotte d'éjection

31A-2502
5.17.06

9

**Illustrated
Parts/
Pièces
détachés**



For parts and/or accessories refer to customer support on page 2.
Adressez-vous au «Service après-vente» à la page 2 pour ce qui concerne les pièces et/ou accessoires.

10

Warranty



Failure to comply with suggested maintenance and lubrication specifications will void warranty.

TWO YEAR LIMITED WARRANTY

The limited warranty set forth below is given by MTD LLC with respect to new merchandise purchased and used in the United States and/or its territories and possessions, and by MTD Products Limited with respect to new merchandise purchased and used in Canada and/or its territories and possessions (either entity respectively, "MTD").

MTD warrants this product (excluding its normal wear parts as described below) against defects in material and workmanship for a period of two (2) years commencing on the date of original purchase and will, at its option, repair or replace, free of charge, any part found to be defective in materials or workmanship. This limited warranty shall only apply if this product has been operated and maintained in accordance with the Operator's Manual furnished with the product, and has not been subject to misuse, abuse, commercial use, neglect, accident, improper maintenance, alteration, vandalism, theft, fire, water, or damage because of other peril or natural disaster. Damage resulting from the installation or use of any part, accessory or attachment not approved by MTD for use with the product(s) covered by this manual will void your warranty as to any resulting damage.

Normal wear parts are warranted to be free from defects in material and workmanship for a period of thirty (30) days from the date of purchase. Normal wear parts include, but are not limited to items such as: batteries, belts, blades, blade adapters, grass bags, rider deck wheels, seats, snow thrower skid shoes, friction wheels, shave plates, auger spiral rubber and tires.

HOW TO OBTAIN SERVICE: Warranty service is available, WITH PROOF OF PURCHASE, through your local authorized service dealer. To locate the dealer in your area;

In the U.S.A.: Check your Yellow Pages, or contact MTD LLC at P.O. Box 361131, Cleveland, Ohio 44136-0019, or call 1-800-800-7310 or 1-330-220-4683 or log on to our Web site at www.mtdproducts.com.

In Canada: Contact MTD Products Limited, Kitchener, ON N2G 4J1, or call 1-800-668-1238 or log on to our Web site at www.mtdcanada.com.

This limited warranty does not provide coverage in the following cases:

- a. The engine or component parts thereof. These items may carry a separate manufacturer's warranty. Refer to applicable manufacturer's warranty for terms and conditions.
- b. Log splitter pumps, valves, and cylinders have a separate one-year warranty.
- c. Routine maintenance items such as lubricants, filters, blade sharpening, tune-ups, brake adjustments, clutch adjustments, deck adjustments, and normal deterioration of the exterior finish due to use or exposure.
- d. Service completed by someone other than an authorized service dealer.
- e. MTD does not extend any warranty for products sold or exported outside of the United States and/or Canada, and their respective possessions and territories, except those sold through MTD's authorized channels of export distribution.
- f. Replacement parts that are not genuine MTD parts.
- g. Transportation charges and service calls.
- h. If Products are used commercially. (MTD may separately offer Limited Commercial Warranties on certain select products. Ask your dealer or retailer for details or contact MTD Service for more information.)

No implied warranty, including any implied warranty of merchantability of fitness for a particular purpose, applies after the applicable period of express written warranty above as to the parts as identified. No other express warranty, whether written or oral, except as mentioned above, given by any person or entity, including a dealer or retailer, with respect to any product, shall bind MTD. During the period of the warranty, the exclusive remedy is repair or replacement of the product as set forth above.

The provisions as set forth in this warranty provide the sole and exclusive remedy arising from the sale. MTD shall not be liable for incidental or consequential loss or damage including, without limitation, expenses incurred for substitute or replacement lawn care services or for rental expenses to temporarily replace a warranted product.

Some jurisdictions do not allow the exclusion or limitation of incidental or consequential damages, or limitations on how long an implied warranty lasts, so the above exclusions or limitations may not apply to you.

In no event shall recovery of any kind be greater than the amount of the purchase price of the product sold. **Alteration of safety features of the product shall void this warranty.** You assume the risk and liability for loss, damage, or injury to you and your property and/or to others and their property arising out of the misuse or inability to use the product.

This limited warranty shall not extend to anyone other than the original purchaser or to the person for whom it was purchased as a gift.

HOW LOCAL LAWS RELATE TO THIS WARRANTY: This limited warranty gives you specific legal rights, and you may also have other rights that vary in different jurisdictions.

IMPORTANT: Owner must present Original Proof of Purchase to obtain warranty coverage.

**MTD LLC, P.O. BOX 361131 CLEVELAND, OHIO 44136-0019; Phone: 1-800-800-7310, 1-330-220-4683
MTD Products Ltd., P. O. BOX 1386, KITCHENER, ON N2G 4J1; Phone: 1-800-668-1238**

GARANTIE LIMITÉE DE DEUX ANS

La garantie limitée qui est énoncée ci-dessous est offerte par MTD LLC pour toutes les marchandises neuves achetées et utilisées aux États-Unis, dans ses possessions et territoires, et par MTD Products Limited, pour toutes les marchandises achetées et utilisées au Canada et/ou ses territoires (l'une ou l'autre entité respectivement appelée « MTD »).

« MTD » garantit que ce produit (à l'exception des pièces à usure normale énumérées ci-dessous) est exempt de tout vice de matière et de fabrication pour une durée de deux (2) ans à compter de la date de l'achat initial et s'engage à réparer ou à remplacer, gratuitement et à son choix, toute pièce qui s'avère défectueuse en raison d'un vice de matière ou de fabrication. Cette garantie limitée n'est applicable que si ce produit a été utilisé et entretenu conformément aux instructions de la notice d'utilisation qui l'accompagne. De plus, le produit ne doit pas avoir fait l'objet d'un emploi incorrect ou abusif, d'une utilisation à des fins commerciales, d'une négligence, d'un accident, d'un entretien incorrect, d'une modification, d'un acte de vandalisme, d'un vol, d'un incendie, d'une inondation ou de tout autre dégat causé par tout incident ou désastre naturel. Les dégâts causés par l'installation ou l'utilisation d'une pièce, d'un accessoire ou d'un équipement annexe, dont l'emploi avec le produit faisant l'objet de la notice d'utilisation n'est pas homologué par MTD, rendront la garantie nulle et non avenue.

Les pièces ou composants à usure normale sont garantis exempts de tout vice de matière et de fabrication pour une période de 30 jours à compter de la date d'achat. Les pièces et composants à usure normale comprennent, sans s'y limiter, les batteries, courroies, lames, adaptateurs de lame, sacs à herbe, roues du plateau de coupe, sièges, patins de souffler, roues de frotement, lames de raclage, le caoutchouc de la tarrière et pneus.

POUR FAIRE HONORER LA GARANTIE : Présentez UNE PREUVE D'ACHAT à la station technique agréée de votre localité. Pour localiser une station technique agréée ou un concessionnaire dans votre région :

Aux États-Unis : Consultez les Pages Jaunes ou adressez-vous à MTD LLC, P.O. Box 361131, Cleveland, Ohio 44136-0019 ou appelez le 1-800-800-7310 ou le 1-330-220-4683. Vous pouvez aussi visiter notre site web au www.mtdproducts.com

Au Canada : Adressez-vous à MTD Products Limited, Kitchener, Ontario, N2G 4J1 ou appelez le 1-800-668-1238 ou visitez notre site web au www.mtdcanada.com

a. Le moteur ou ses composants. Ces articles peuvent être couverts par une garantie séparée du fabricant. Consultez la garantie du fabricant quant aux conditions.

b. Les pompes, soupapes et pistons des tenduses à bois sont couverts par une garantie séparée d'un an.

c. Les articles d'entretien courant tels que les lubrifiants, filtres, aiguillages de lame et révisions, les réglages de frein, de l'embrayage ou du plateau de coupe et la détérioration normale de la finition du fait de l'utilisation de la machine ou de son exposition aux intempéries.

d. L'entretien ou les réparations effectuées par quiconque autre qu'une station technique agréée.

e. MTD ne garantit pas les produits vendus ou exportés hors des États-Unis et/ou du Canada, de leurs possessions et territoires respectifs, sauf si ces produits ont été vendus par l'intermédiaire des services d'exportation de MTD.

f. Les pièces de rechange si elles ne sont pas des pièces MTD authentiques.

g. Les frais de transport des machines et de déplacement des techniciens.

h. Les produits utilisés dans un but commercial. Certains produits peuvent être accompagnés d'une garantie limitée MTD séparée pour usage commercial. Renseignez-vous auprès du concessionnaire ou détaillant pour plus de détails ou adressez-vous directement au service après-vente de MTD.)

Aucune garantie tacite, y compris toute garantie tacite de qualité marchande ou d'adaptabilité dans un but particulier, ne s'applique aux pièces identifiées ci-dessus après la période de validité de la garantie écrite expresse. Aucune autre garantie expresse, qu'elle soit verbale ou écrite, à l'exception des stipulations ci-dessus, offerte par toute personne ou entité (y compris un concessionnaire/revendeur), pour tout produit, n'engage MTD. Pendant la période de garantie, la réparation ou le remplacement du produit ci-dessus constitue le recours exclusif à la disposition du client.

Les stipulations énoncées dans cette garantie offrent le seul recours à la suite de la vente. MTD ne peut être tenue responsable pour toute perte ou tout dommage accessoire ou immatériel comprenant, sans s'y limiter, les frais de remplacement ou de substitution des services d'entretien des pelouses ou les frais de location pour remplacez temporairement un article sous garantie.

Certains juridictions ne permettent pas l'inclusion ou la restriction des dommages accessoires ou immatériels ou une limite à la durée de la garantie tacite. Par conséquent, les exclusions ci-dessus peuvent ne pas s'appliquer dans votre situation.

Le remboursement ou remplacement quel qu'il soit ne sera en aucun cas supérieur au montant du produit vendu. **Toute modification des caractéristiques de sécurité rendra la garantie nulle et non avenue.** L'utilisateur assume tout risque et toute responsabilité en cas de perte, de dommage matériel ou de blessure résultant de l'utilisation incorrecte du produit ou de l'incapacité de l'employer.

Cette garantie limitée n'est offerte qu'à l'acheteur initial ou à la personne à laquelle le produit a été offert en cadeau. **LES LOIS LOCALES ET CETTE GARANTIE** : Cette garantie limitée vous accorde des droits juridiques spécifiques et vous pouvez bénéficier d'autres droits qui varient selon les juridictions.

IMPORTANT : Le propriétaire doit présenter le reçu original pour faire honorer la garantie.

MTD LLC, P.O. Box 361131, Cleveland, Ohio 44136-0019; téléphone: 1-800-800-7310, 1-330-220-4683
 MTD Products Ltd., C.P. 1386, Kitchener, Ontario N2G 4J1; téléphone: 1-800-668-1238

Garantie

6



Le non-respect des conseils d'entretien et de lubrification annule la garantie.

Dépannage



REMARQUE: Ce

chapitre concerne des problèmes d'entretien mineurs. Pour plus de détails, adressez-vous au service après-vente.


8

Problème	Cause(s)	Solution
Le moteur ne démarre pas	<ol style="list-style-type: none"> 1. Volet de départ fermé. 2. Fil de la bougie débranché. 3. Réservoir vide ou essence éventée. 4. Bouton de l'armateur n'étant pas employé correctement. 5. Bougie défectueuse. 6. Canaïlisation de carburant bouchée. 7. La clé de contact du moteur n'est pas mise. 8. Robinet d'arrivée de carburant fermé. (le cas échéant) 	<ol style="list-style-type: none"> 1. Ouvrez le volet de départ. 2. Branchez le fil de la bougie. 3. Faites le plein avec une essence propre et fraîche. 4. Consultez le chapitre "Utilisation de la Souffleuse". 5. Nettoyez, réglez l'écartement ou remplacez la bougie. 6. La nettoyer. 7. Mettez la clé. 8. Ouvrez le robinet.
Fonctionnement irrégulier	<ol style="list-style-type: none"> 1. Machine fonctionnant avec le volet de départ fermé. 2. Canaïlisation de carburant bouchée ou essence éventée. 3. Eau ou saleté dans le système d'essence. 4. Carburateur est mal réglé. 	<ol style="list-style-type: none"> 1. Nettoyez la canaïlisation; faites le plein avec une essence propre. 2. Débranchez la canaïlisation d'essence au carburateur pour vider le réservoir d'essence. Faites le plein avec une essence fraîche. 4. Adressez-vous à une station technique.
Moteur surchauffe	<ol style="list-style-type: none"> 1. Carburateur est mal réglé. 	<ol style="list-style-type: none"> 1. Adressez-vous à une station technique.
Vibration excessives	<ol style="list-style-type: none"> 1. Pièces desserrées ou vis sans fin endommagée. 	<ol style="list-style-type: none"> 1. Arrêtez immédiatement le moteur et débranchez le fil de la bougie. Serrez tous les boulons et écrous. Si les vibrations persistent, faites vérifier la machine par une station technique agréée.
Perte de puissance	<ol style="list-style-type: none"> 1. Fil de la bougie desserré. 2. Chapreau d'échappement du trou d'aération bouché. 3. Le port d'échappement est bouché. 	<ol style="list-style-type: none"> 1. Branchez et serrez le fil de la bougie. 2. Dégagez la glace et la neige du trou d'aération. 3. Adressez-vous à une station technique.
La souffleuse n'avance pas	<ol style="list-style-type: none"> 1. Câble d'entraînement mal réglé. 2. Courroie d'entraînement abîmée ou ayant 	<ol style="list-style-type: none"> 1. Réglez le câble d'entraînement. Voir le Réglages. 2. Remplacez la courroie d'entraînement.
La souffleuse n'évacue pas la neige	<ol style="list-style-type: none"> 1. Goulotte d'évacuation bouchée. 2. Présence de corps étranger dans la tarière. 3. Courroie d'entraînement de la tarière abîmée ou ayant du jeu. 	<ol style="list-style-type: none"> 1. Arrêtez immédiatement le moteur et débranchez le fil de la bougie. Nettoyez la goulotte d'éjection et l'intérieur du logement de la tarière avec l'outil de dégagement de la goulotte ou un bâton. 2. Arrêtez immédiatement le moteur et débranchez le fil de la bougie. Dégagez le corps étranger de la tarière. 3. Voir l'Entretien.

Cause(s)

Solution

- Procédez comme suit pour préparer la souffreuse avant de la remiser.
- Videz le carburant à l'extérieur dans un récipient homologué, à distance de toute flamme nue. Assurez-vous que le moteur a refroidi. Ne fumez pas et éteignez toute source de chaleur incandescente avant de vider le carburant. Tout carburant restant dans le réservoir par temps chaud se détériorera et causera de graves problèmes au démarrage.
 - Si la machine doit être entreposée pendant plus de 30 jours, préparez-la selon les instructions fournies dans la notice d'utilisation du moteur qui accompagne votre souffreuse.
 - Laissez tourner le moteur jusqu'à ce qu'il s'arrête pour cause de panne d'essence.
 - Videz toute l'essence du carburateur et du réservoir pour éviter la formation de dépôts de gomme qui pourraient causer le mauvais fonctionnement du moteur.
 - Videz le carburateur en appuyant sur l'évacuation qui se trouve sous le couvercle du carburateur.
 - Les agents de stabilisation du carburant (STA-BIL® par exemple) offrent une solution acceptable pour minimiser la formation de dépôts de gomme pendant le remisage. Ne videz pas le carburateur si vous décidez d'utiliser un agent de stabilisation du carburant.
 - Essayez la machine avec un chiffon imbibé d'huile pour empêcher la formation de rouille.
 - Retirez la bougie et versez une once d'huile à moteur dans le trou de la bougie de la chemise. Reouvrez le trou avec un chiffon et faites tourner le moteur plusieurs fois pour bien répartir l'huile. Remettez la bougie en place.
 - Suivez les instructions concernant la lubrification dans le chapitre sur l'entretien.
 - Entreposez toujours la souffreuse dans un endroit sec et propre.



Remisage hors saison

AVERTISSEMENT

N'entreposez jamais le moteur avec du carburant dans le réservoir à l'intérieur ou dans des endroits fermés si la ventilation n'est pas adéquate et si les vapeurs de carburant peuvent venir en contact avec une flamme ou une étincelle ou veillez à un chauffe-eau, un radiateur, un fourneau, un sèche-linge ou autre appareil à gaz.

Videz le carburant à l'extérieur dans un récipient homologué, à distance de toute flamme nue. Assurez-vous que le moteur a refroidi. Ne fumez pas. Tout carburant restant dans le réservoir par temps chaud se détériorera et causera de graves problèmes au démarrage.

Ne videz pas le carburateur si vous utilisez un stabilisateur de carburant. N'utilisez jamais des produits de nettoyage du moteur ou du carburateur pour nettoyer le réservoir de carburant car vous pouvez causer des dégâts permanents.

Remplacement de la courroie



AVERTISSEMENT: Débrayez la manette de commande et arrêtez le moteur avant de faire une réparation, un ajustement quelconque ou d'examiner la machine. Attendez que la tarière/turbine se soit complètement immobilisée. Débranchez le fil de la bougie et mettez-le à la terre contre le moteur pour empêcher tout remplacement de la courroie

Enlevez les cinq vis hex. pour démonter le couvre-courroie. Voir la Figure 9. Enlevez la courroie en la dégageant simplement de la base de la poulie de la tarière. Il sera alors possible d'abaisser la poulie de tension pour dégager la poulie du guide-courroie. Pour replacer la courroie, suivez ces instructions et consultez la Figure 10.

1. Abaissez la poulie de tension.

2. Placez la courroie sur le dessus de la poulie de la tarière, sous le guide-courroie.

3. Glissez la courroie sur la poulie motrice.

4. Insérez la courroie sur la base de la poulie de la tarière.

Replacez le couvre-courroie retiré plus tôt.

Moteur

1. Consultez la notice d'utilisation du moteur qui accompagne la souffeuse pour tout ce qui concerne l'entretien du moteur.
2. Vérifiez fréquemment que toute la bouloignerie du moteur est bien serrée et resserrer-la selon le besoin.

Lubrification

Lubrifiez les points de pivot sur la manette de commande et le ressort d'extension à la fin du câble d'embrayage avec une huile légère une fois chaque saison et avant le remisage de la souffeuse à la fin de la saison.

Remplacement des pales en caoutchouc

Les pales en caoutchouc sur la tarière ont une tendance à s'user et devraient être remplacé dès l'apparition de signes d'usure.

IMPORTANT: Ne laissez pas les aubes en caoutchouc de la tarière s'user au point où certaines parties de la tarière métallique peuvent toucher le sol, car la souffeuse pourrait être gravement endommagée.

Pour changer les pales en caoutchouc, procédez comme suit:

1. Pour démonter les pales, enlevez les vis taraudées qui les maintiennent sur la souffeuse. Voir la Figure 11.
2. Maintenez les nouvelles pales de caoutchouc en place sur la tarière avec les vis taraudées.

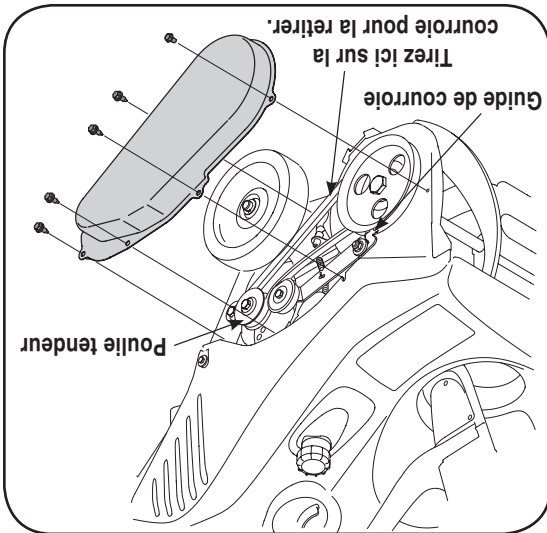


Figure 9

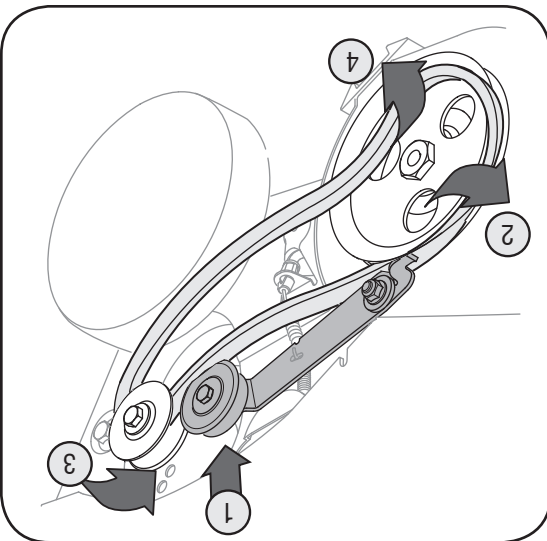


Figure 10

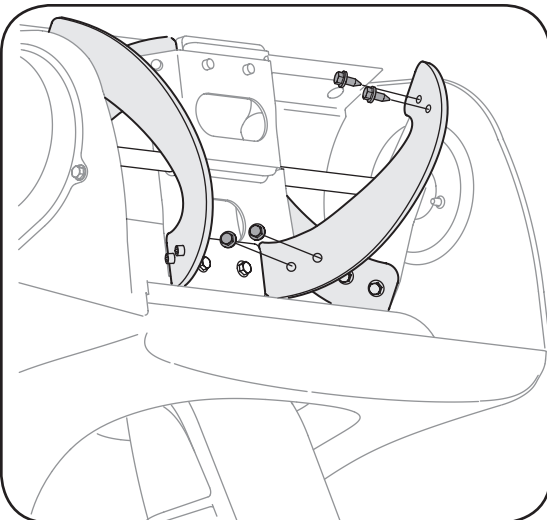


Figure 11

REMARQUE: Adressez-vous au «Service après-vente» à la page 2, pour l'information en ce qui concerne le prix et la disponibilité du kit de tarière.

6

Réglages & Entretien



AVERTISSEMENT

Débrayez la manette de commande et arrêtez le moteur avant de faire une réparation, un ajustement quelconque ou d'examiner la machine. Attendez que la tarière/turbine se soit complètement immobilisée. Débranchez le fil de la bougie et mettez-le à la terre contre le moteur pour empêcher tout remplacement de la courroie



IMPORTANT: Ne

laissez pas les aubes en caoutchouc de la tarière s'user au point où certaines parties de la tarière métallique peuvent toucher le sol, car la souffeuse pourrait être gravement endommagée.

3. Ajustez la plaque de racleage comme instruit dans la section Réglages de cette notice d'utilisation. Serrez les écrous au fond avant le fonctionnement.

REMARQUE: Adressez-vous au «Service après-vente» à la page 2, pour l'information en ce qui concerne le prix et la disponibilité du kit de la plaque de racleage.

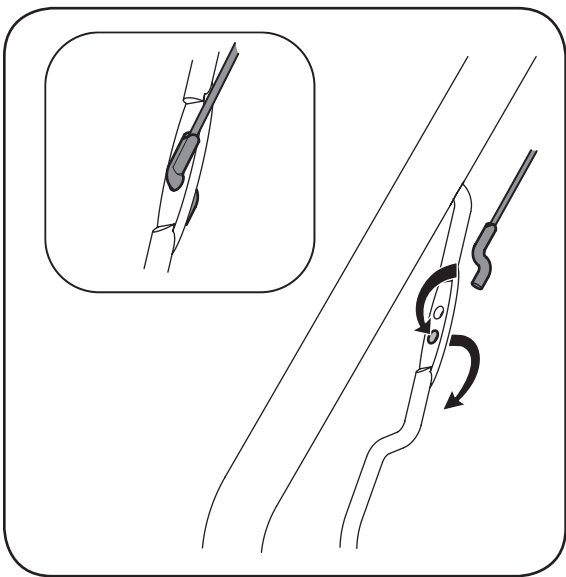


Figure 8

Réglage de le câble d'embrayage

Un réglage périodique de la courroie et le câble d'embrayage peut s'avérer nécessaire du fait de l'usure normale de la courroie et du câble.

Il faut régler la courroie ou le câble si la tarrière paraît d'hésiter alors que le moteur tourne au même régime. Procédez comme suit:

Le trou supérieur dans la manette de commande prévoit un ajustement dans la tension du câble. Pour ajuster, débranchez la fin de câble d'embrayage du trou de fond dans la manette de commande et le réinsèrent dans le trou supérieur. Évaluez la souplesse pour voir s'il y a une différence considérable.

Carburateur



AVERTISSEMENT: Si vous devez faire des réglages quelconques au moteur pendant qu'il tourne (par ex. au carburateur), éloignez-vous de toutes les pièces mobiles. Ne touchez pas les surfaces chaudes ni le silencieux.

1. Consultez la notice d'utilisation du moteur fournie avec la souffeuse quant aux réglages à effectuer au carburateur.

Réglage de la plaque de racleage

1. Pour vérifier le réglage, placez la souffeuse sur une surface plate. La plaque doit être réglée de manière que les roues, la plaque et la tarrière touchent le sol simultanément lors de l'utilisation de la souffeuse. Voir la Figure 6. Si la neige souffie en dessous du logement de la souffeuse la plaque peut être réglé trop haut. Si la plaque présente des signes d'usure excessive, ou la souffeuse n'auto-propulsera pas, la plaque peut être ajusté trop bas

REMARQUE: Les tarrières peuvent être légèrement relevées sur les modèles neufs ou sur les modèles équipés d'un plaque de racleage neuve.

2. Pour ajuster, basculez la souffeuse en arrière pour qu'il repose sur le guidon. Desserrez les écrous à six pans et les boulons ordinairement qui maintiennent la plaque de racleage au logement. Voir la Figure 7. Ajustez la plaque de racleage à la position voulue et serrez à fond les écrous à six pans et les boulons ordinairement.

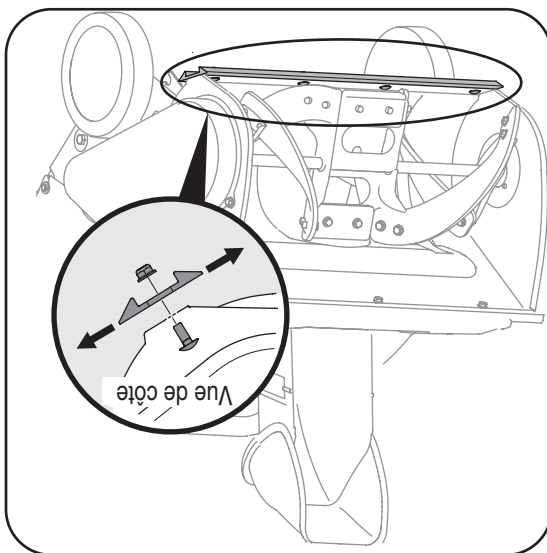


Figure 7

Remplacement de la plaque de racleage

La plaque de racleage s'usera et devrait être vérifiée périodiquement. La plaque de racleage a deux côtés d'usage et peut être renversé après que un côté s'use. Voir la Figure 7. Pour remplacer ou renverser la plaque de racleage, procédez comme suit:

1. Enlevez les quatre boulons ordinaire, et les écrous à six pans qui la maintiennent sur la souffeuse.
2. Installez la plaque neuve assurant que la tête des boulons ordinaires se trouve sur l'intérieur du logement.

6

Réglages & Entretien

AVERTISSEMENT



Débranchez le fil de la bougie et mettez-le à la terre contre le moteur pour empêcher tout démarrage accidentel.

N'essayez jamais d'effectuer un réglage quelconque pendant que le moteur tourne, sauf en cas d'instructions spéciales dans la notice d'utilisation.

Débrayez la manette de commande et arrêtez le moteur avant de faire une réparation, un ajustement quelconque ou d'examiner la machine. Attendez que la tarrière/turbine se soit complètement immobilisée.

5

Utilisation de la souffluse



AVERTISSEMENT

Le silencieux, le moteur et des zones voisines deviennent chauds et peuvent causer des brûlures. Évitez de les toucher.

Ne faites jamais fonctionner la souffluse avec des spectateurs devant ou près de l'ouverture de la goulotte d'éjection.



REMARQUE: Une

pression ascendante excessive cause une usure prématurée des pales en caoutchouc de la tarière. L'usure résultante ne serait pas couverte selon la garantie.

Utilisation de la souffluse

1. Desserrez le bouton à en forme d'étoile qui se trouve sur le côté gauche de la goulotte d'éjection et faites pivoter la goulotte supérieure vers le haut ou de haut en bas au direction souhaitable. Reserrez le bouton en forme d'étoile avant le fonctionnement de la souffluse.
2. Positionnez l'ouverture de la goulotte d'éjection à l'aide de la poignée de la goulotte d'éjection pour projeter la neige à l'endroit voulu. Voir la Figure 4A à la page 7.

Déblayage de la neige

1. Projetez la neige dans le sens du vent dans la mesure du possible.



AVERTISSEMENT: Ne faites jamais fonctionner la souffluse avec des spectateurs devant ou près de l'ouverture de la goulotte d'éjection.

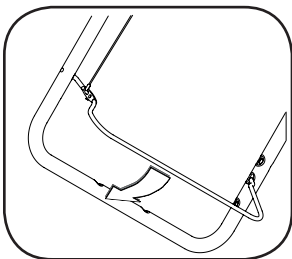


Figure 6

1. Pressez la manette de commande contre le guidon supérieur pour enclencher les tarières. Voir la Figure 6.
2. Soulevez-vous légèrement sur le guidon supérieur pour permettre la tarière d'entrer en contact avec le trottoir et propulsez la souffluse en avant. Appuyez sur le guidon pour relever la tarière et pour arrêter le mouvement de la souffluse.
3. Dans la mesure du possible, projetez la neige dans le sens du vent. Chevauchez légèrement les passages successifs.

REMARQUE: Une pression ascendante excessive cause une usure prématurée des pales en caoutchouc de la tarière. L'usure résultante ne serait pas couverte selon la garantie.

Conseils d'utilisation

1. Après avoir déblayé la neige, laissez le moteur tourner pendant quelques minutes avant de l'arrêter. Ceci permet le moteur de sécher.
2. Essayez la neige et la condensation de la machine.



AVERTISSEMENT: Le silencieux, le moteur et des zones voisines deviennent chauds et peuvent causer des brûlures. Évitez de les toucher.

3. Appuyez lentement deux ou trois (3) fois sur le bouton de l'armocœur pour démarrage à froid.
4. Si le moteur est chaud, appuyez une seule fois sur le bouton de l'armocœur.

REMARQUE: Couvrez toujours l'évent du bouton de l'armocœur en appuyant. Un amorçage supplémentaire peut être nécessaire lors du premier démarrage si la température est inférieure à 15°F (-9°C).

5. Tirez lentement sur la poignée du démarreur jusqu'à ce que vous sentiez une légère résistance. Laissez la corde s'enrouler lentement.
6. Tirez à nouveau, mais rapidement. Ne laissez pas la poignée claquer contre la souffluse. Laissez la corde s'enrouler lentement en maintenant la poignée du bouton du volet de départ à la position SANS VOLET. Si le moteur hésite, tournez à nouveau le bouton du volet de départ à la position SANS VOLET. Si le moteur hésite, tournez à nouveau le bouton du volet de départ à la position SANS VOLET.

Pour arrêter le moteur

1. Pour arrêter le moteur, tournez la clé vers la position "OFF" (ARRÊT). Débranchez le fil de la bougie pour empêcher tout démarrage accidentel.

Pour empêcher le démarrage de geler, procédez

comme suit:

1. Laissez tourner le moteur pendant quelques minutes pour sécher toute l'humidité qui aurait pu s'y accumuler.
2. **Démarrure électrique (en option):** Branchez le fil électrique sur le commutateur du moteur, puis à une prise de courant de 120 volts C.A. Quand le moteur tourne, appuyez sur le bouton du démarreur et faites tourner le démarreur pendant quelques secondes. Le bruit particulier émis par le démarreur ne risque pas d'endommager le moteur ni le démarreur. Débranchez le fil électrique de la prise de courant d'abord, puis du commutateur.
3. **Démarrure à lanceur:** Quand le moteur tourne, tirez rapidement et fermement sur la corde du démarreur à trois ou quatre reprises. Vous entendrez un claque-ment qui ne risque pas d'endommager le moteur ni le démarreur.
4. Enlevez toute la neige et l'humidité du couvercle du carburateur et près des manettes de commande. Déplacez celles-ci plusieurs fois. Laissez la manette de l'obturateur à la position ARRÊT et le bouton du volet de départ à la position VOLET FERME.
5. Enlevez la clé de contact et débranchez le fil de la bougie pour empêcher tout démarrage accidentel.

2. Suivez maintenant les instructions ci-dessous comme il s'applique à votre machine. Voir la Figure 5 pour la position des commandes.

Démarrage électrique

(le cas échéant)



AVERTISSEMENT: Le démarreur électrique (en option) doit être utilisé avec une prise de courant à trois fils reliée à la terre à tout instant, pour éviter la possibilité d'une décharge électrique. Suivez soigneusement toutes les instructions avant d'utiliser le démarreur électrique.

1. Ce démarreur est équipé d'un fil et d'une prise électrique à trois fils et il est conçu pour fonctionner sur un courant de 120 volts, C.A.
2. Vérifiez que le câblage de votre maison comporte trois fil reliés à la terre. Si vous n'est pas certain, renseignez-vous auprès d'un électricien.
3. Si le câblage de votre maison n'est pas un système à trois fils reliés à la terre, n'utilisez en aucun cas ce démarreur électrique.
4. Si votre système est relié à la terre, mais il n'y a pas de prise à trois trous à l'endroit où le démarreur doit normalement être utilisé, faites-en installer une par un électricien qualifié.

5. Si vous avez une prise de courant à trois trous

reliée à la terre, procédez comme suit :

6. Tournez le bouton du volet de départ à la position **VOLET PLEIN**.
7. Appuyez lentement trois (3) fois sur le bouton de l'amorçeur. Couvrez toujours l'évent du bouton de l'amorçeur en appuyant.

8. Branchez le fil électrique dans le commutateur, sur la terre.
9. Enfoncez le bouton du démarreur pour faire tourner le moteur. Quand le moteur démarre, lâchez le bouton du démarreur et tournez progressivement le bouton du volet de départ à la position **SANS VOLET**.
10. Si le moteur hésite, déplacez immédiatement le bouton du volet de départ à la position **VOLET PLEIN**, puis revenez progressivement à la position **SANS VOLET**.

11. Débranchez toujours d'abord le fil électrique de la prise de courant reliée à la terre, puis de la souffreuse.

Démarrateur à lanceur

1. Tournez le bouton du volet de départ à la position **VOLET PLEIN** (démarrage à froid).
2. Si le moteur est chaud, tournez le bouton du volet de départ à la position **SANS VOLET**.

Avant le démarrage

AVERTISSEMENT: Avant de commencer le moteur, lisez, comprenez et suivez toutes les instructions et les conseils sur la machine et dans ce



notice avant le fonctionnement.

1. Le fil de bougie d'allumage a été débranché pour la sûreté. Attachez le fil de bougie d'allumage à la bougie d'allumage avant de commencer.

IMPORTANT: Nous vous conseillons de lire la notice d'utilisation du moteur, fournie avec la machine, pour obtenir des instructions complètes et détaillées concernant la mise en marche et l'arrêt du moteur ainsi que son remisage.

Pleins d'essence et d'huile

AVERTISSEMENT: Faites très attention en manipulant de l'essence.



Ne faites jamais le plein d'essence à l'intérieur, pendant que le moteur tourne ou quand le moteur est chaud. Ne fumez pas en faisant le plein d'essence.

IMPORTANT: Cette machine fonctionne sur un mélange d'essence et l'huile. **NE FAITES PAS** fonctionner la souffreuse sans avoir consulté la notice d'utilisation du moteur pour les instructions quant au carburant approprié et l'huile de moteur.

Ne faites PAS fonctionner la souffreuse sans avoir bien serré le bouchon de carburant sur le réservoir à carburant.

Montage de la goulotte d'éjection

1. Desserrez le bouton en forme d'étoile qui se trouve sur le côté gauche de la goulotte d'éjection et faites

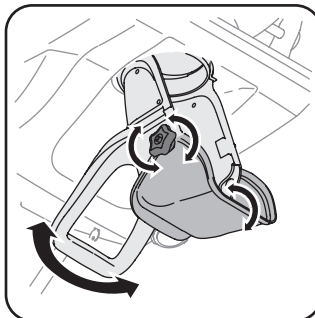


Figure 5

2. Tournez la goulotte d'éjection vers la droite ou vers la gauche à l'aide de la poignée de la goulotte. Voir la Figure 5.

Mise en marche du moteur

1. Enfoncez la clé de contact.

5

Utilisation de la souffreuse



AVERTISSEMENT

Lisez, comprenez, et suivez toutes les instructions et les consignes sur la machine et dans ce notice avant le fonctionnement.

Faites très attention en manipulant de l'essence. L'essence est extrêmement inflammable et les vapeurs sont explosif. Ne faites **jamais** le plein d'essence à l'intérieur, pendant que le moteur tourne ou quand le moteur est chaud. Éteignez toute cigarette ou pipe, tout cigare ou toute autre source incendieuse.

Le démarreur électrique (en option) doit être utilisé avec une prise de courant à trois fils reliée à la terre à tout instant, pour éviter la possibilité d'une décharge électrique. Suivez soigneusement toutes les instructions avant d'utiliser le démarreur électrique.

et une source de courant de 120 V.
Exige l'utilisation d'une rallonge à 3 fiches pour l'extérieur

Prise pour démarrage électrique

Pour faire démarrer un moteur avec une source de courant de 120 V.
Démarrateur électrique (le cas échéant)

Pour faire démarrer le moteur manuellement.

Démarrateur à lanceur

utilisée. N'essayez pas de tourner la clé.
marche. Retirez la clé quand la souffluse n'est pas être complètement enfoncée pour mettre le moteur en La clé de contact est un dispositif de sécurité. Elle doit

Clé de contact

notice d'utilisation du moteur.
à faire démarrer le moteur en temps froid. Consultez la directement dans le carburateur du moteur pour aider L'enfoncement du bouton d'amorçage force le carburant

Amorçeur

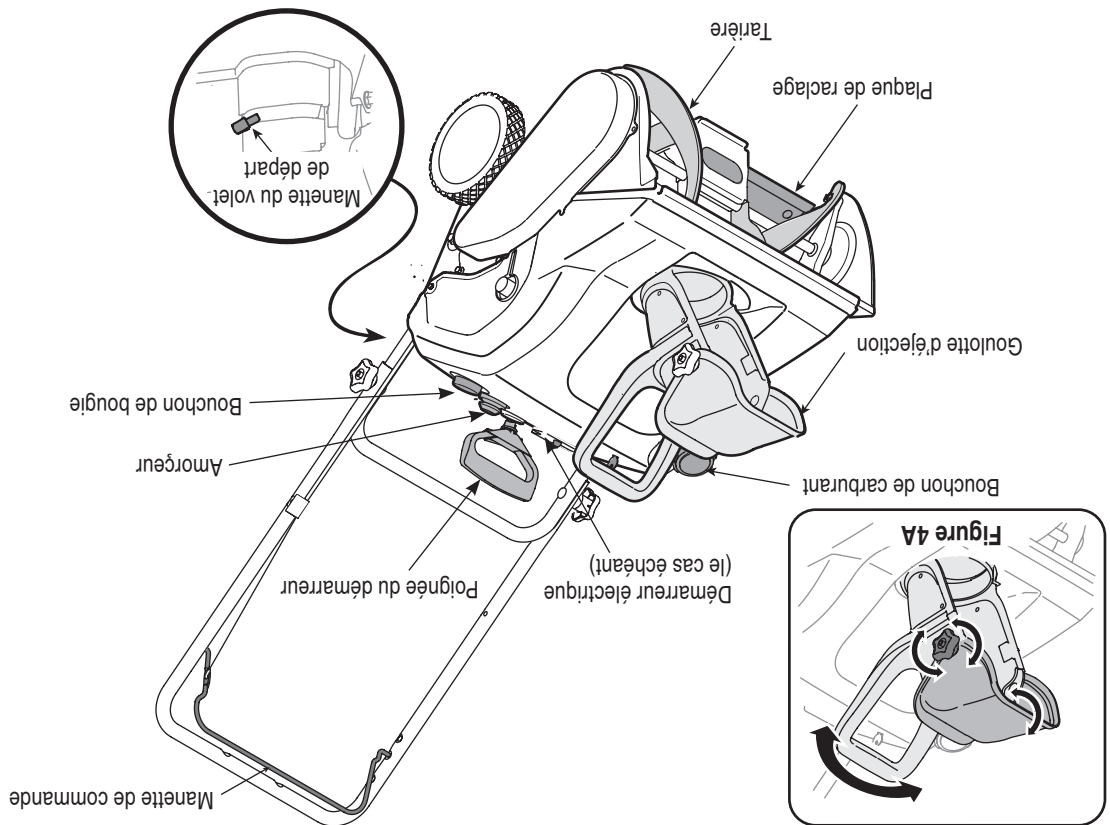
pour plus de renseignements.
notice d'utilisation du moteur qui accompagne la machine du carburateur ce qui facilite le démarrage. Consultez la La manette du volet de départ permet de fermer le volet

Manette du volet de départ

et l'huile de moteur.
moteur pour les instructions quant au carburant approprié souffluse sans avoir consulté la notice d'utilisation du d'essence et l'huile. NE FAITES PAS fonctionner la

IMPORTANT: Cette machine fonctionne sur un mélange

Figure 4



Accès à la bougie

La bougie se trouve sous le couvercle.

Tarrière

Lorsqu'elles sont enclenchées, les tarrières amènent la neige dans l'habitacle en tournant et la neige est ensuite évacuée par la goulotte d'éjection. Les aubes en caoutchouc des tarrières permettent de faire avancer la souffluse quand elles touchent la surface à débayer.

Manette de commande des tarrières

Elle se trouve sur le guidon supérieur et sert à embrayer ou à débrayer les tarrières. Serrez la manette contre le guidon supérieur pour embrayer les tarrières, lâchez-la pour les débrayer.

Goulotte d'éjection/Poignée de la goulotte d'éjection

Utilisez la manette de la goulotte d'éjection pour la faire tourner vers la droite ou vers la gauche. L'angle de la goulotte d'éjection détermine la distance à laquelle la neige est projetée. Redressez la goulotte pour projeter la neige plus loin ou abaissez-la pour la projeter plus près. Desserrez le bouton sur le côté de la goulotte d'éjection pour l'ajuster. Inclinez la goulotte à la position voulue et resserrez le bouton.

Plaque de raclage

Elle maintient le contact avec le sol et facilite le dégagement et la neige proche de la surface à débayer au fur et à mesure que la souffluse avance.



Connaitre votre souffluse



IMPORTANT: Cette machine fonctionne sur un mélange d'essence et l'huile. NE FAITES PAS fonctionner la souffluse sans avoir consulté la notice d'utilisation du moteur pour les instructions quant au carburant approprié et l'huile de moteur.

CONTENU DE LA CARTON

Les pièces sont énumérées ci-dessous avec le numéro de pièce apparaît entre parenthèses.

1. Deux clés (725-0201)

2. Bouteille d'huile, 2 temps, 2,60 oz. (737-04037)

3. Rallonge (le cas échéant) (629-0236)



AVERTISSEMENT: Débranchez le fil de la bougie et mettez le à la masse contre le moteur, pour empêcher tout démarrage accidentel.

Positionnez le guidon supérieur

1. Enlevez toute garniture d'expédition éventuelle.
2. Relevez le guidon supérieur dans la direction indiquée à la Figure 1 jusqu'à ce qu'il s'emboîte à la position de travail. Faites attention de ne pas pincer le câble.
3. Serrez les bouton.

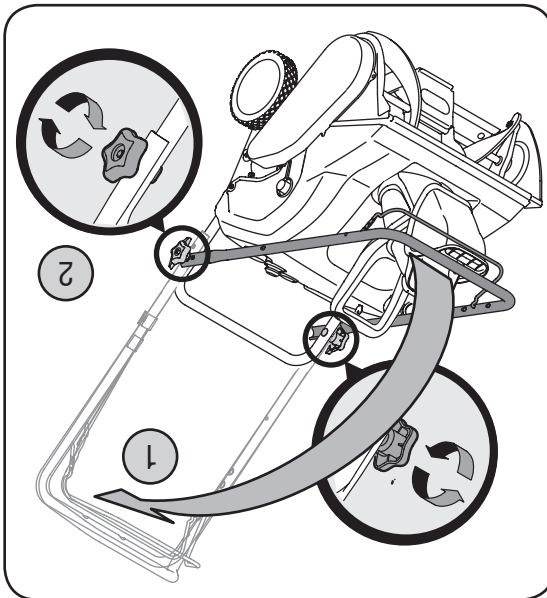


Figure 1

Installation de la goulotte

Pour expédier, la souffeuse a été empaqueté avec la goulotte supérieure pivoter entièrement en bas, comme à la Figure 2. Pour le faire pivoter vers le haut, procédez comme suit:

1. Tournez la goulotte jusqu'à ce que l'ouverture de la goulotte d'éjection face l'avant de la machine.
2. Retirez le bouton, la rondelle plate et le boulon ordinaire de la partie inférieure de la goulotte.
3. Faites pivoter la goulotte supérieure au-dessus de le rebord sur la goulotte inférieure pour qu'il n'y ait plus d'espace entre les deux parties.
4. Attachez avec la boulonnerie que vous venez de retirer.

IMPORTANT: Ne soulevez pas la machine par la poignée de la goulotte.

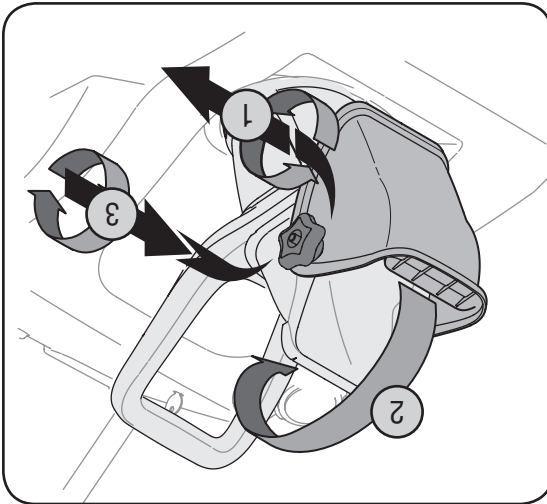


Figure 2

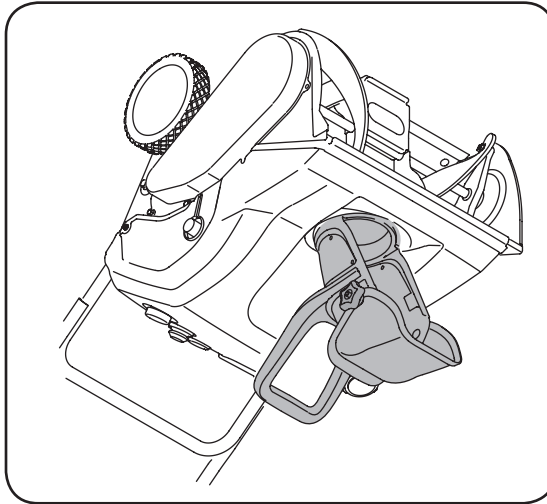


Figure 3

Instructions de montage

3



REMARQUE: Cette notice d'utilisation couvre plusieurs modèles. Les traits du souffeuse varient par le modèle. Pas toutes les traits discutées dans ce notice sont applicables à tous les modèles de souffeuse.

REMARQUE: Les côtés droit et gauche de la souffeuse sont déterminés du poste de conduite, derrière la souffeuse.

IMPORTANT: Ne soulevez pas la machine par la poignée de la goulotte.

Consignes de sécurité



Ce symbole attire votre attention sur des consignes de sécurité importantes qui, si elles ne sont pas respectées, peuvent mettre en danger non seulement vous-même, mais aussi ceux d'autrui. Prière de lire toutes les instructions figurant dans cette notice d'utilisation avant d'essayer de vous servir de cette machine. Le non-respect de ces instructions peut entraîner des blessures corporelles.

RESPECTEZ L'AVERTISSEMENT QUI ACCOMPAGNE CE SYMBOLE!

Votre responsabilité

Cette machine ne doit être utilisée que par des personnes qui peuvent lire, comprendre et respecter les avertissements et instructions qui figurent dans cette notice et sur la machine.

3. Vérifiez régulièrement que les boulons et vis sont bien serrés et maintenez la machine en bon état de marche. Examinez soigneusement la machine pour vous assurer qu'elle n'est pas endommagée.
 4. Ne modifiez pas le réglage du régulateur et ne laissez pas le moteur s'emballer, ce qui peut être dangereux.
 5. Les plaques de raclage et les patins de la souffluse s'usent avec l'usage. Par mesure de sécurité, vérifiez souvent tous les composants et remplacez-les par des pièces authentiques seulement. L'utilisation de pièces qui ne sont pas conformes aux spécifications de l'équipement d'origine peuvent donner lieu à de mauvaises performances et compromettre la sécurité de l'utilisateur.
 6. Vérifiez fréquemment que les commandes fonctionnent bien et faites les réglages nécessaires. Consultez le chapitre « Réglages » dans la notice d'utilisation de la machine.
 7. Prenez soin des étiquettes de sécurité et d'instructions et remplacez-les au besoin.
 8. Respectez les règlements concernant l'élimination des déchets et liquides qui risquent de nuire à la nature et à l'environnement.
 9. Laissez la machine fonctionner pendant quelques minutes pour éliminer la neige de la tarière et éviter que l'ensemble de la tarière et de la turbine ne gèle avant de remettre la souffluse.
 10. Ne remisez jamais la machine ou les bidons d'essence à l'intérieur s'il y a une flamme, une étincelle ou une veilleuse (d'un chauffe-eau, un radiateur, un fourneau, un sèche-linge ou autre appareil à gaz).
 11. Consultez toujours la notice d'utilisation quant aux instructions de remisage hors-saison.
- Ne modifiez pas le moteur.**
- Pour éviter toute blessure grave ou fatale, ne modifiez pas du tout le moteur. Toute modification du réglage du régulateur peut provoquer l'emballement du moteur et entraîner son fonctionnement à des vitesses dangereuses. Ne modifiez jamais le réglage de l'usine du régulateur.
- AVIS CONCERNANT LES ÉMISSIONS DE GAZ**
- Les moteurs certifiés conformes aux normes réglementaires de la Californie et de l'agence EPA fédérales pour SORE (petit équipement hors route) sont écrits pour fonctionner avec de l'essence sans plomb ordinaire et peuvent être dotés de systèmes de contrôle des émissions de gaz suivants : Engine Modification (EM) et Three Way Catalyst (TWC) le cas échéant.
- contient du monoxyde de carbone, un gaz inodore très dangereux.
6. Ne vous servez pas de la machine après avoir bu des boissons alcoolisées ou après avoir pris des médicaments.
7. Le silencieux et le moteur deviennent très chauds et peuvent causer des brûlures. Ne les touchez pas.
8. Soyez extrêmement prudent à proximité des routes, allées ou chemins en gravier. Faites attention aux dangers non évidents et à la circulation.
9. Faites très attention en changeant de direction et en travaillant sur une pente.
10. Prévoyez de travailler en évitant de projeter la neige vers des fenêtres, murs, vitres, etc. car les débris peuvent ricocher et causer des blessures graves ou des dégâts matériels.
11. Ne dirigez jamais la neige vers des enfants, des spectateurs et des animaux de compagnie et ne permettez jamais à quiconque de se tenir devant la machine.
12. Ne fatiguez pas la machine en essayant de déblayer la neige trop rapidement.
13. N'utilisez pas la machine si la visibilité est mauvaise ou si la lumière est insuffisante. Gardez toujours un bon équilibre et tenez fermement le guidon.
14. Débrayez la commande de l'ensemble de la tarière et de la turbine pour transporter la machine et lorsqu'elle n'est pas utilisée.
15. Ne déplacez jamais rapidement la souffluse sur des surfaces glissantes. Soyez prudent en reculant.
16. Arrêtez le moteur, débranchez le fil de la bougie et mettez-le à la terre contre le moteur si la machine commence à vibrer de façon anormale. Vérifiez que la machine n'est pas endommagée. Réparez tout dégât éventuel avant de la remettre en marche.
17. Débrayez toutes les commandes et arrêtez le moteur avant de quitter le poste de conduite (derrière les guidons). Attendez que la tarière/turbine se soit complètement immobilisée avant de déboucher la goulotte d'éjection, de faire un ajustement quelconque ou d'examiner la machine. Ne placez jamais votre main dans la goulotte d'éjection ou près de l'admission. Utilisez toujours l'outil de dégagement pour déboucher l'ouverture de la goulotte. Ne débouchez pas la goulotte d'éjection pendant que le moteur tourne. Arrêtez le guidon jusqu'à ce que toutes les pièces en mouvement se soient immobilisées avant de déboucher la goulotte.
19. N'utilisez que des accessoires homologués par le fabricant de la machine. (ex. poids de roues, chaînes, cabine etc.)
20. Faites toujours preuve de bon sens dans des situations qui n'ont pas été abordées par cette notice d'utilisation. Adressez-vous au service après-vente pour obtenir le nom du concessionnaire le plus proche de chez vous.
- Entretien et Remisage**
1. Ne modifiez jamais les dispositifs de sécurité. Vérifiez souvent qu'ils fonctionnent correctement.
2. Débrayez toutes les commandes et arrêtez le moteur avant de quitter le poste de conduite. Attendez que la tarière/turbine se soit complètement immobilisée avant de déboucher la goulotte d'éjection, de faire un ajustement quelconque ou d'examiner la machine.
- d'examiner la machine.

Consignes de sécurité



AVERTISSEMENT

Ce symbole attire votre attention sur des consignes de sécurité importantes qui, si elles ne sont pas respectées, peuvent mettre en danger non seulement votre personne et vos biens, mais aussi ceux d'autrui. Prière de lire toutes les instructions figurant dans cette notice d'utilisation avant d'essayer de vous servir de cette machine. Le non-respect de ces instructions peut entraîner des blessures corporelles.

RESPECTEZ L'AVERTISSEMENT QUI ACCOMPAGNE CE SYMBOLE

Cette machine ne doit être utilisée que par des personnes qui peuvent lire, comprendre et respecter les avertissements et instructions qui figurent dans cette notice et sur la machine.



AVERTISSEMENT: Les gaz d'échappement de ce produit contiennent des produits chimiques reconnus dans l'Etat de Californie comme causant le cancer, des anomalies congénitales ou d'autres problèmes liés à la reproduction.

DANGER: Cette machine doit être utilisée conformément aux consignes de sécurité qui figurent dans la notice d'utilisation. Comme avec tout appareil motorisé, une négligence ou une erreur de la part de l'utilisateur peut entraîner des blessures graves. Cette machine peut amputer mains et pieds et projeter des débris. Par conséquent, le non-respect de ces consignes peut causer des blessures corporelles graves et même mortelles.

Formation

1. Assurez-vous de lire et de bien comprendre toutes les instructions qui figurent sur la machine et dans la notice d'utilisation avant de la mettre en marche. Conservez cette notice d'utilisation à un endroit sûr pour toute consultation ultérieure et pour commander des pièces de rechange.
2. Familiarisez-vous avec les commandes et la bonne utilisation de cette machine avant de vous en servir. Apprenez à arrêter la machine et à débrayer rapidement les commandes.
3. Ne permettez jamais à des enfants de moins de 14 ans de se servir de la machine. Des adolescents plus âgés doivent lire la notice d'utilisation, bien comprendre le fonctionnement de la machine et respecter les consignes de sécurité. Ils doivent apprendre à utiliser la machine et s'en servir sous la surveillance étroite d'un adulte.
4. Ne permettez jamais à des adultes ne connaissant pas bien le fonctionnement de la machine de s'en servir.
5. Les objets projetés par la machine peuvent causer des blessures graves. Évitez de travailler en évitant de projeter la neige vers la route, des spectateurs, etc.
6. Gardez les spectateurs, les animaux de compagnie et les enfants à une distance d'au moins 75 pieds de la machine quand elle est en marche. Arrêtez la machine si quelqu'un s'approche.
7. Soyez toujours prudent pour ne pas glisser ou tomber, surtout en reculant.

Préparation

1. Examinez soigneusement la zone à déblayer et enlevez tous les paillassons, traîneaux, morceaux de bois, fils de fer et autres objets sur lesquels vous pourriez trébucher ou qui risquent d'être projetés par la tarière/turbine.
2. Portez toujours des lunettes de sécurité en utilisant la machine ou en effectuant un réglage ou une réparation. Un objet peut en effet être projeté, ricocher et vous blesser aux yeux.
3. Ne travaillez pas sans porter des vêtements d'hiver adéquats. Ne portez pas de bijoux, d'écharpes longues ou de vêtements amples qui risquent de se prendre dans les pièces en mouvement. Portez des chaussures qui amélioreraient votre stabilité sur des surfaces glissantes.
4. Utilisez une rallonge à 3 fils et une prise de courant mises à la terre avec toutes les machines équipées d'un moteur à démarreur électrique.
5. Réglez la hauteur de l'habillage pour éviter tout contact avec les surfaces en gravier ou en pierre concassée.
6. Débrayez toutes les commandes avant de mettre le moteur en marche.

Utilisation

1. Ne placez jamais vos mains ou vos pieds près d'une pièce en mouvement, dans l'habillage de la tarière ou de la turbine ou dans la goulotte d'éjection. Les pièces en mouvement peuvent amputer mains et pieds.
 2. La manette de commande de l'ensemble de la tarière et de la turbine est un dispositif de sécurité. Ne contournez jamais son rôle ce qui rendrait dangereux l'emploi de la machine et pourrait causer des blessures corporelles.
 3. Toutes les manettes de commande doivent fonctionner facilement dans les deux directions et revenir automatiquement à la position de débrayage lorsqu'elles sont relâchées.
 4. Ne travaillez jamais sans la goulotte d'éjection ou si elle est endommagée. Laissez tous les dispositifs de sécurité en place et assurez-vous qu'ils sont en bon état.
 5. Ne faites jamais fonctionner la machine dans un local clos ou mal aéré car les gaz d'échappement du moteur peuvent causer des blessures corporelles.
7. N'essayez jamais de régler le moteur pendant qu'il tourne (à moins d'indications contraires de la part du fabricant).
 8. Laissez le moteur et la machine s'habituer à la température extérieure avant de commencer à déblayer.
 9. Pour éliminer tout risque de blessure grave, faites très attention en manipulant de l'essence. Il s'agit d'un produit extrêmement inflammable et les vapeurs risquent d'exploser. Vous pouvez être grièvement blessé si des étincelles sur votre peau ou sur vos vêtements s'enflamment. Rincez votre peau et changez immédiatement de vêtements.
 - a. Remisez le carburant dans des bidons homologués seulement.
 - b. Éteignez toute cigarette ou pipe, tout cigare ou toute autre source incandescente.
 - c. Ne faites jamais le plein à l'intérieur.
 - d. N'enlevez jamais le capuchon d'essence et n'ajoutez pas d'essence pendant que le moteur tourne.
 - e. Laissez le moteur refroidir pendant au moins deux minutes avant de faire le plein.
 - f. Ne faites jamais déborder le réservoir. Laissez un espace d'un demi-pouce environ pour permettre l'expansion du carburant.
 - g. Resserrez bien le capuchon d'essence.
 - h. En cas de débordement, essuyez toute éclaboussure sur le moteur et la machine. Déplacez la machine et attendez 5 minutes avant de la remettre en marche.
 - i. Ne remisez jamais la machine ou les bidons d'essence à l'intérieur s'il y a une flamme, une étincelle ou une veilleuse (d'un chauffe-eau, un radiateur, un fourneau, un sèche-linge ou autre appareil à gaz).
 - j. Laissez la machine refroidir pendant au moins 5 minutes avant de la remettre.

Respectez l'avertissement qui accompagne ce symbole!
 Cette machine ne doit être utilisée que par des personnes qui peuvent lire, comprendre et respecter les avertissements et instructions qui figurent dans cette notice et sur la machine.

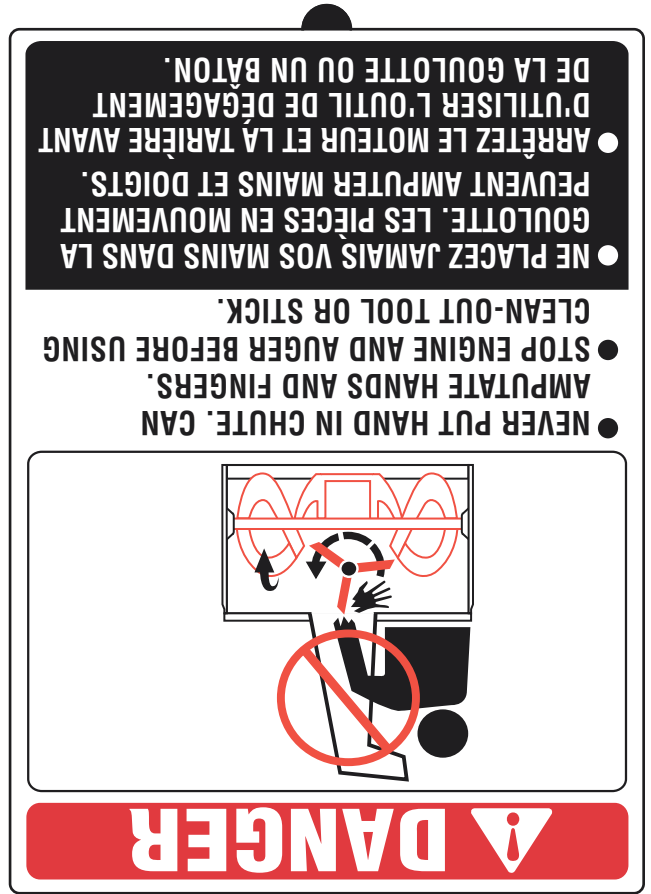
Respectez l'avertissement qui accompagne ce symbole!
 Cette machine ne doit être utilisée que par des personnes qui peuvent lire, comprendre et respecter les avertissements et instructions qui figurent dans cette notice et sur la machine.

Ce symbole attire votre attention sur des consignes de sécurité importantes qui, si elles ne sont pas respectées, peuvent mettre en danger non seulement votre personne et vos biens, mais aussi ceux d'autrui. Prière de lire toutes les instructions figurant dans cette notice d'utilisation avant d'essayer de vous servir de cette machine. Le non-respect de ces instructions peut entraîner des blessures corporelles.

AVERTISSEMENT



Étiquettes de sécurité



Préparez vos numéros de modèle et de série avant de téléphoner. Veuillez lire le chapitre précédent pour déterminer l'emplacement de ces numéros. On vous demandera d'enregistrer le numéro de série avant de pouvoir poursuivre votre consultation.

3. Le fabricant du moteur est responsable de toutes les questions concernant les performances, la puissance indiquée, les caractéristiques techniques, la garantie et le service après-vente du moteur. Pour plus de renseignements à ce sujet, veuillez consulter la notice d'utilisation du moteur fournie avec votre machine.

2. Appelez un agent du service après-vente au : **Pour clients des Etats-Unis: 1-330-220-4MTD (4683) or 1-800-800-7310**
Pour clients du Canada: 1-800-668-1238

1. Visitez le site www.mtdcanada.ca où vous trouverez de nombreuses suggestions utiles. Cliquez sur le bouton Service après-vente.

Si l'assemblage de cette machine vous pose des problèmes ou pour toute question concernant les commandes, le fonctionnement ou l'entretien de la machine, les spécialistes sont à votre disposition. Choisissez l'une des options ci-dessous:

Veillez retourner la machine au détaillant qui vous l'a vendue, sans vous adresser d'abord au service après-vente.

Service après-vente

Serial Number	XXXXXXXXXXXX
Model Number	XXXXXXXXXXXX
Numéro de modèle	XXXXXXXXXXXX
Numéro de série	XXXXXXXXXXXX

MTD LLC
 CLEVELAND, OH 44136
 MTD PRODUCTS LIMITED
 KITCHENER, ON N2G 4J1
 USA-www.mtdproducts.com 1-800-800-7310
 CAN-www.mtdcanada.com 1-800-668-1238

Pour trouver le numéro de modèle

Étiquettes	3
Important consignes de sécurité	4
Instructions de montage	6
Connaitre votre souffeuse	7
Utilisation de la souffeuse	8
Réglages	10
Entretien de la souffeuse	10
Remisage hors saison	12
Dépannage	13
Garantie	14
Pièces détachées (voir la page 14 de la version anglaise de cette notice d'utilisation	

Table des matières

Cette notice d'utilisation est une pièce importante de votre nouvel équipement. Elle vous fournit les renseignements nécessaires à l'assemblage, à la préparation et à l'entretien de votre machine. Veuillez donc la lire attentivement et vous assurer de bien comprendre toutes les instructions.

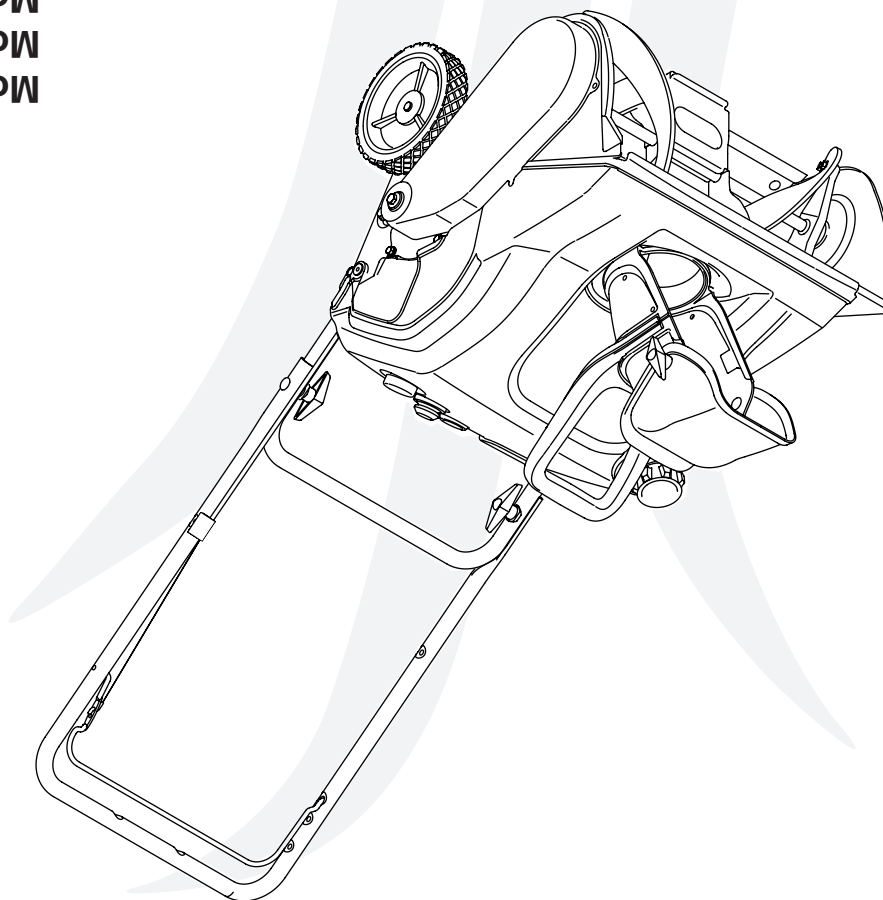
Avertissement: Cet appareil est équipé d'un moteur à combustion interne. Pour cette raison, il ne doit pas être utilisé sur un terrain forestier non débroussaillé ou sur tout autre terrain recouvert de broussailles ou d'herbes s'il n'est pas équipé d'un pare-étincelles conforme à toutes les lois applicables à l'échelle locale ou de l'état (le cas échéant). Tout pare-étincelles doit être maintenu en parfait état de fonctionnement par l'utilisateur. L'état de Californie exige en vertu du Code sur les ressources publiques 4442 et 4443. D'autres lois similaires peuvent être en vigueur dans certains autres états. Les lois fédérales sont applicables sur les terres fédérales. Vous pouvez vous procurer un pare-étincelles à installer sur le silencieux auprès de la station technique agréée la plus proche ou adressez-vous au service après-vente, P. O. 361131, Cleveland, Ohio 44136-0019.

LISEZ ATTENTIVEMENT LES RÈGLES DE SÉCURITÉ ET LES INSTRUCTIONS AVANT DE METTRE EN MARCHÉ LA MACHINE.

IMPORTANT

Souffleuse à une phase

Modèles 230, S230
Modèles 240, S240
Modèles 250, S250
Modèles 260, S260
Modèles 261, S261



NOTICE D'UTILISATION

Sécurité • Montage • Fonctionnement • Réglages • Entretien • Dépannage
• Listes des pièces détachées • Garantie

Free Manuals Download Website

<http://myh66.com>

<http://usermanuals.us>

<http://www.somanuals.com>

<http://www.4manuals.cc>

<http://www.manual-lib.com>

<http://www.404manual.com>

<http://www.luxmanual.com>

<http://aubethermostatmanual.com>

Golf course search by state

<http://golfingnear.com>

Email search by domain

<http://emailbydomain.com>

Auto manuals search

<http://auto.somanuals.com>

TV manuals search

<http://tv.somanuals.com>