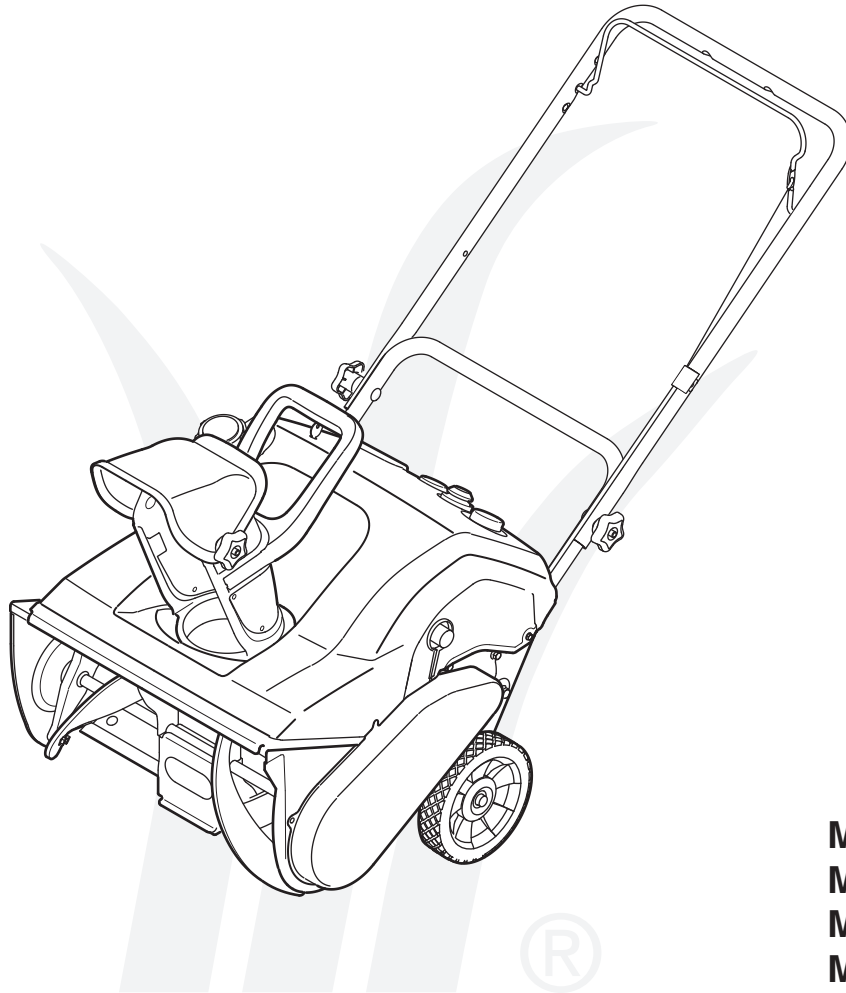


# OPERATOR'S MANUAL



Model 230, S230  
Model 240, S240  
Model 250, S250  
Model 260, S260  
Model 261, S261

## Single-Stage Snow Thrower

### IMPORTANT

#### READ SAFETY RULES AND INSTRUCTIONS CAREFULLY BEFORE OPERATION

**Warning:** This unit is equipped with an internal combustion engine and should not be used on or near any unimproved forest-covered, brush-covered or grass-covered land unless the engine's exhaust system is equipped with a spark arrester meeting applicable local or state laws (if any). If a spark arrester is used, it should be maintained in effective working order by the operator. In the State of California the above is required by law (Section 4442 of the California Public Resources Code). Other states may have similar laws. Federal laws apply on federal lands. A spark arrester for the muffler is available through your nearest engine authorized service dealer or contact the service department, P.O. Box 361131 Cleveland, Ohio 44136-0019.


This Operator's Manual is an important part of your new snow thrower. It will help you assemble, prepare and maintain the unit for best performance. Please read and understand what it says.

## Table of Contents

Safety Labels .....	3	Adjustments & Maintenance .....	10
Safe Operation Practices .....	4	Off-Season Storage .....	12
Set Up & Adjustment.....	6	Trouble Shooting .....	13
Know Your Snow Thrower .....	7	Illustrated Parts Lists .....	14
Operation.....	8	Warranty .....	18

## Finding and Recording Model Number

BEFORE YOU START ASSEMBLING YOUR NEW EQUIPMENT, please locate the model plate on the equipment and copy the the model number and the serial number to the sample model plate provided to the right. You can locate the model plate by standing at the operating position and looking down at the frame.

Model Number Numéro de modèle	Serial Number Numéro de série
XXXXXXXXXXXX	XXXXXXXXXXXX
	MTD LLC CLEVELAND, OH 44136 MTD PRODUCTS LIMITED KITCHENER, ON N2G 4J1
USA-www.mtdproducts.com CAN-www.mtdcanada.com	1-800-800-7310 1-800-668-1238

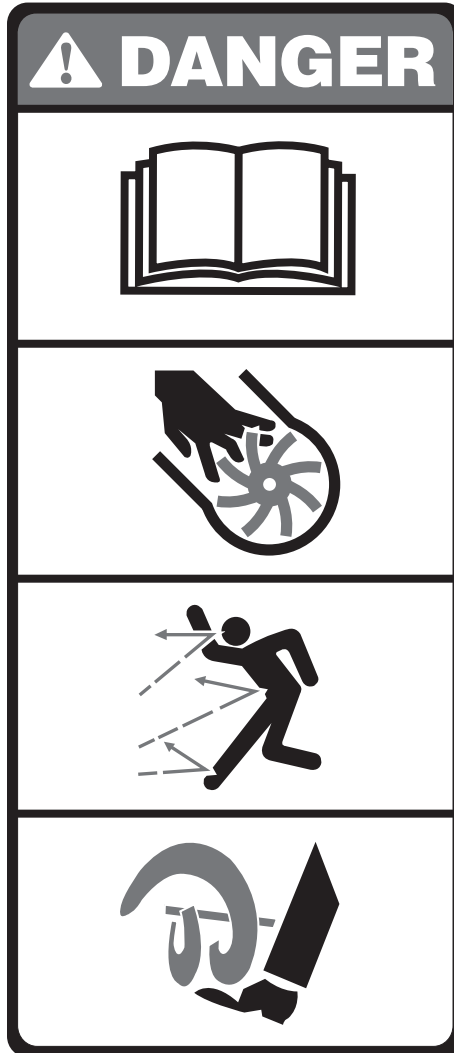
## Customer Support

Please do **NOT** return the unit to the retailer from which it was purchased, without first contacting Customer Support.

If you have difficulty assembling this product or have any questions regarding the controls, operation or maintenance of this unit, you can seek help from the experts. Choose from the options below:

1. Visit [www.mtdcanada.ca](http://www.mtdcanada.ca) for many useful suggestions, click on Customer Support button.
2. Call a Customer Support Representative: **For US Customers: 1-330-220-4MTD (4683) or 1-800-800-7310**  
**For Canadian Customers: 1-800-668-1238**
3. The engine manufacturer is responsible for all engine-related issues with regards to performance, power-rating, specifications, warranty and service. Please refer to the engine manufacturer's Owner's/Operator's Manual, packed separately with your unit, for more information.

Please have your unit's model number and serial number ready when you call. See previous section to locate this information. You will be asked to enter the serial number in order to process your call.



# 1

## Safety Labels



### WARNING

This symbol points out important safety instructions which, if not followed, could endanger the personal safety and/or property of yourself and others. Read and follow all instructions in this manual before attempting to operate this machine. Failure to comply with these instructions may result in personal injury. When you see this symbol.

#### HEED ITS WARNING!

#### Your Responsibility

Restrict the use of this power machine to persons who read, understand and follow the warnings and instructions in this manual and on the machine.

# 2

## Safe Operation Practices



### WARNING

This symbol points out important safety instructions which, if not followed, could endanger the personal safety and/or property of yourself and others. Read and follow all instructions in this manual before attempting to operate this machine. Failure to comply with these instructions may result in personal injury. When you see this symbol, HEED

#### ITS WARNING!

#### Your Responsibility

Restrict the use of this power machine to persons who read, understand and follow the warnings and instructions in this manual and on the machine.



**WARNING:** Engine Exhaust, some of its constituents, and certain vehicle components contain or emit chemicals known to State of California to cause cancer and birth defects or other reproductive harm.

**DANGER:** This machine was built to be operated according to the safe operation practices in this manual. As with any type of power equipment, carelessness or error on the part of the operator can result in serious injury. This machine is capable of amputating hands and feet and throwing objects. Failure to observe the following safety instructions could result in serious injury or death.

### Training

1. Read, understand, and follow all instructions on the machine and in the manual(s) before attempting to assemble and operate. Keep this manual in a safe place for future and regular reference and for ordering replacement parts.
2. Be familiar with all controls and their proper operation. Know how to stop the machine and disengage them quickly.
3. Never allow children under 14 years old to operate this machine. Children 14 years old and over should read and understand the instructions and safe operation practices in this manual and on the machine and be trained and supervised by an adult.
4. Never allow adults to operate this machine without proper instruction.
5. Thrown objects can cause serious personal injury. Plan your snow-throwing pattern to avoid discharge of material toward roads, bystanders and the like.
6. Keep bystanders, helpers, pets and children at least 75 feet from the machine while it is in operation. Stop machine if anyone enters the area.
7. Exercise caution to avoid slipping or falling, especially when operating in reverse.

### Preparation

1. Thoroughly inspect the area where the equipment is to be used. Remove all doormats, newspapers, sleds, boards, wires and other foreign objects, which could be tripped over or thrown by the auger/impeller.
2. Always wear safety glasses or eye shields during operation and while performing an adjustment or repair to protect your eyes. Thrown objects which ricochet can cause serious injury to the eyes.
3. Do not operate without wearing adequate winter outer garments. Do not wear jewelry, long scarves or other loose clothing, which could become entangled in moving parts. Wear footwear which will improve footing on slippery surfaces.
4. Use a grounded three-wire extension cord and receptacle for all units with electric start engines.
5. Adjust collector housing height to clear gravel or crushed rock surfaces.
6. Disengage all control levers before starting the engine.
7. Never attempt to make any adjustments while engine is running, except where specifically recommended in the operator's manual.
8. Let engine and machine adjust to outdoor temperature before starting to clear snow.

### Safe Handling of Gasoline

To avoid personal injury or property damage use extreme care in handling gasoline. Gasoline is extremely flammable and the vapors are explosive. Serious personal injury can occur when gasoline is spilled on yourself or your clothes, which can ignite. Wash your skin and change clothes immediately.

- a. Use only an approved gasoline container.
- b. Extinguish all cigarettes, cigars, pipes and other sources of ignition.
- c. Never fuel machine indoors.
- d. Never remove gas cap or add fuel while the engine is hot or running.
- e. Allow engine to cool at least two minutes before refueling.
- f. Never over fill fuel tank. Fill tank to no more than ½ inch below bottom of filler neck to provide space for fuel expansion.
- g. Replace gasoline cap and tighten securely.
- h. If gasoline is spilled, wipe it off the engine and equipment. Move machine to another area. Wait 5 minutes before starting the engine.
- i. Never store the machine or fuel container inside where there is an open flame, spark or pilot light (e.g. furnace, water heater, space heater, clothes dryer etc.).
- j. Allow machine to cool at least 5 minutes before storing.

## Operation

1. Do not put hands or feet near rotating parts, in the auger/impeller housing or chute assembly. Contact with the rotating parts can amputate hands and feet.
2. The auger/impeller control lever is a safety device. Never bypass its operation. Doing so makes the machine unsafe and may cause personal injury.
3. The control levers must operate easily in both directions and automatically return to the disengaged position when released.
4. Never operate with a missing or damaged chute assembly. Keep all safety devices in place and working.
5. Never run an engine indoors or in a poorly ventilated area. Engine exhaust contains carbon monoxide, an odorless and deadly gas.
6. Do not operate machine while under the influence of alcohol or drugs.
7. Muffler and engine become hot and can cause a burn. Do not touch.
8. Exercise extreme caution when operating on or crossing gravel surfaces. Stay alert for hidden hazards or traffic.
9. Exercise caution when changing direction and while operating on slopes.
10. Plan your snow-throwing pattern to avoid discharge towards windows, walls, cars etc. Thus, avoiding possible property damage or personal injury caused by a ricochet.
11. Never direct discharge at children, bystanders and pets or allow anyone in front of the machine.
12. Do not overload machine capacity by attempting to clear snow at too fast of a rate.
13. Never operate this machine without good visibility or light. Always be sure of your footing and keep a firm hold on the handles. Walk, never run.
14. Disengage power to the auger/impeller when transporting or not in use.
15. Never operate machine at high transport speeds on slippery surfaces. Look down and behind and use care when backing up.
16. If the machine should start to vibrate abnormally, stop the engine, disconnect the spark plug wire and ground it against the engine. Inspect thoroughly for damage. Repair any damage before starting and operating.
17. Disengage all control levers and stop engine before you leave the operating position (behind the handles). Wait until the auger/impeller comes to a complete stop before unclogging the chute assembly, making any adjustments, or inspections.
18. Never put your hand in the discharge or collector openings. Always use the clean-out tool provided to unclog the discharge opening. Do not unclog chute assembly while engine is running. Shut off engine and remain behind handles until all moving parts have stopped before unclogging.
19. Use only attachments and accessories approved by the manufacturer (e.g. wheel weights, tire chains, cabs etc.).
20. If situations occur which are not covered in this manual, use care and good judgment. Call customer assistance for the name of your nearest servicing dealer.

## Maintenance & Storage

1. Never tamper with safety devices. Check their proper operation regularly. Refer to the maintenance and adjustment sections of this manual.
2. Before cleaning, repairing, or inspecting machine disengage all control levers and stop the engine. Wait until the auger/impeller come to a complete stop. Disconnect the spark plug wire and ground against the engine to prevent unintended starting.
3. Check bolts and screws for proper tightness at frequent intervals to keep the machine in safe working condition. Also, visually inspect machine for any damage.
4. Do not change the engine governor setting or over-speed the engine. The governor controls the maximum safe operating speed of the engine.
5. Snow thrower shave plates and skid shoes are subject to wear and damage. For your safety protection, frequently check all components and replace with original equipment manufacturer's (OEM) parts only. "Use of parts which do not meet the original equipment specifications may lead to improper performance and compromise safety!"
6. Check controls periodically to verify they engage and disengage properly and adjust, if necessary. Refer to the adjustment section in this operator's manual for instructions.
7. Maintain or replace safety and instruction labels, as necessary.
8. Observe proper disposal laws and regulations for gas, oil, etc. to protect the environment.
9. Prior to storing, run machine a few minutes to clear snow from machine and prevent freeze up of auger/impeller.
10. Never store the machine or fuel container inside where there is an open flame, spark or pilot light such as a water heater, furnace, clothes dryer etc.
11. Always refer to the operator's manual for proper instructions on off-season storage.

### Do not modify engine

To avoid serious injury or death, do not modify engine in any way. Tampering with the governor setting can lead to a runaway engine and cause it to operate at unsafe speeds. Never tamper with factory setting of engine governor.

### Notice regarding Emissions

Engines which are certified to comply with California and federal EPA emission regulations for SORE (Small Off Road Equipment) are certified to operate on regular unleaded gasoline, and may include the following emission control systems: Engine Modification (EM) and Three Way Catalyst (TWC) if so equipped.

### Average Useful Life

According to the Consumer Products Safety Commission (CPSC) and the U.S. Environmental Protection Agency (EPA), this product has an *Average Useful Life* of seven (7) years, or 60 hours of operation. At the end of the *Average Useful Life*, buy a new machine or have the machine inspected annually by an authorized service dealer to ensure that all mechanical and safety systems are working properly and not worn excessively. Failure to do so can result in accidents, injuries or death.

# 2

## Safe Operation Practices



### WARNING

This symbol points out important safety instructions, which if not followed, could endanger the personal safety and/or property of yourself and others. Read and follow all instructions in this manual before attempting to operate this machine. Failure to comply with these instructions may result in personal injury. When you see this symbol, HEED IT'S WARNING!

**Your Responsibility**  
Restrict the use of this power machine to persons who read, understand and follow the warnings and instructions in this manual and on the machine.

# 3

## Setup And Adjustment



**NOTE:** This Operator's Manual covers several models. Snow thrower features vary by model. Not all features discussed in this manual are applicable to all snow thrower models.

**NOTE:** All references to left or right side of the snow thrower is from the operating position only.

**IMPORTANT:** Do not use the chute handle to lift the snow thrower.

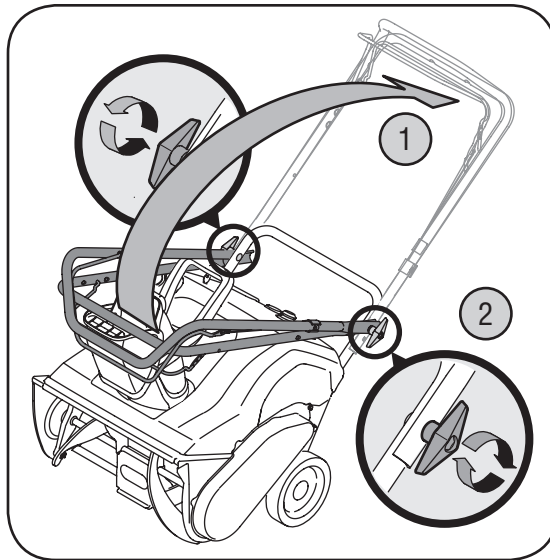


Figure 1



Figure 2

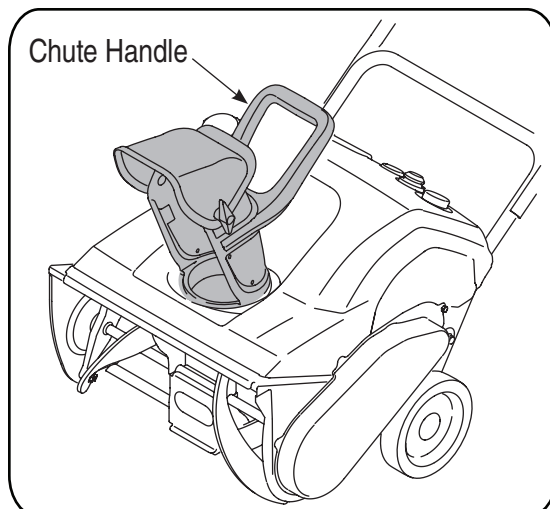


Figure 3

## Contents of Carton

Carton contents are listed below with part numbers in parentheses.

1. Two Ignition Keys (725-0201)
2. 2.6 oz Bottle of 2 Cycle Oil (737-04037)
3. Extension Cord (if so equipped) (629-0236)



**WARNING:** Disconnect the spark plug wire and ground it against the engine to prevent unintended starting.

## Positioning the Upper Handle

1. Remove packing material, if present.
2. Making sure not to pinch the cable in the process, pivot the upper handle into the operating position as illustrated in Figure 1 until it clicks into place.
3. Tighten the wing knobs to secure the handle in place as in Figure 1.

## Assembling the Discharge Chute

For shipping reasons, the snow thrower has been packaged with the upper chute pivoted all the way down. To pivot it upward, proceed as follows:

1. Turn the chute until the chute opening is facing straight ahead. Remove the wing knob and carriage bolt from the lower chute. See Figure 2.
2. Pivot the upper chute upward over the lip on the lower chute so that there is NO gap between the upper chute and the lower chute.
3. Resecure with the hardware just removed. If installed correctly, your snow thrower should look like Figure 3.

**IMPORTANT:** Do not use the chute handle to lift the snow thrower.

# 4

## Know Your Snow Thrower



**IMPORTANT:**  
This unit runs on a mixture of gasoline and oil. Do NOT operate the snow thrower without first reading the engine operator's manual for instructions regarding proper fuel and engine oil.

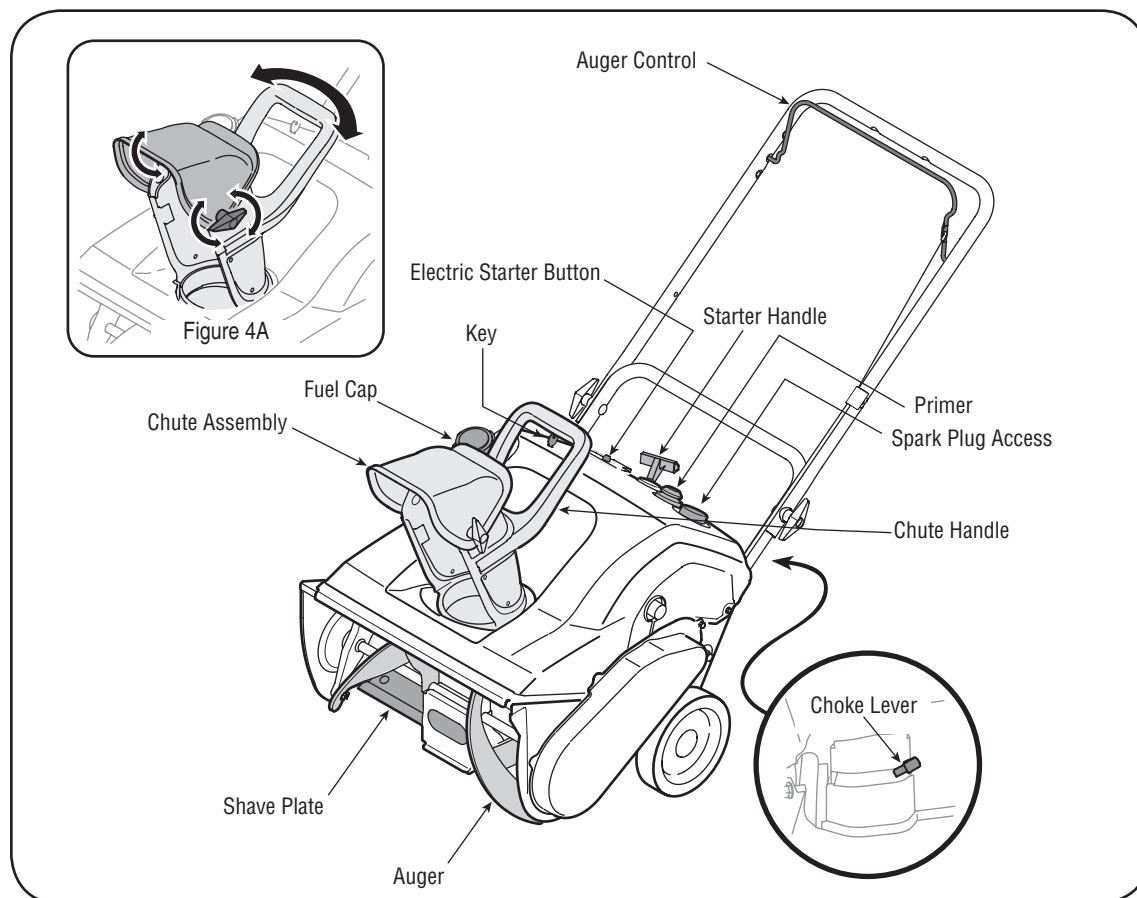


Figure 4

**IMPORTANT:** This unit runs on a mixture of gasoline and oil. Do NOT operate the snow thrower without first reading the engine operator's manual for instructions regarding proper fuel and engine oil.

### Choke Lever

Activating choke control closes the choke plate on carburetor and aids in starting engine. Refer to the engine manual packed with unit for more detailed instructions.

### Primer

Depressing primer forces fuel directly into engine's carburetor to aid in cold-weather starting. Refer to engine manual packed with unit for more detailed instructions.

### Ignition Key

Ignition key **must** be present, inserted in key switch, and in the "ON" position for engine to start.

### Recoil Starter

The starter handle is used to manually start the engine.

### Electric Starter Button (If so equipped)

Pressing the electric starter button engages the engine's electric starter when plugged into a 120V power source

### Electric Starter Plug (If so equipped)

Requires use of a two-prong outdoor extension cord (packed with the snow thrower) and a 120V power source/wall outlet.

### Spark Plug Cover

Remove spark plug cover to access spark plug.

### Auger

When engaged, the augers rotation draws snow into the auger housing and throws it out the discharge chute. Rubber paddles on the augers also aid in propelling the unit as they come in contact with the pavement.

### Auger Control Handle

Located on the upper handle, the auger control handle is used to engage and disengage drive to the auger. Squeeze the control handle against the upper handle to engage auger; release it to disengage.

### Discharge Chute / Chute Handle

Rotate the discharge chute to the left or right using chute handle. Pitch of the discharge chute controls angle at which the snow is thrown. Loosen wing knob on side of the discharge chute before pivoting discharge chute upward or downward. Retighten the knob once desired position has been achieved.

### Shave Plate

The shave plate maintains contact with pavement as the snow thrower is propelled, allowing snow close to pavement's surface to be discharged.

# 5

## Operation



### WARNING

Read, understand, and follow all instructions and warnings on the machine and in this manual before operating.

Use extreme care when handling gasoline. Gasoline is extremely flammable and the vapors are explosive. Never fuel the machine indoors or while the engine is hot or running. Extinguish cigarettes, cigars, pipes and other sources of ignition.

The electric starter must be used with a properly grounded three-prong receptacle at all times to avoid the possibility of electric shock. Follow all instructions carefully prior to operating the electric starter.

## Before Starting



**WARNING:** Before starting the engine, read, understand, and follow all instructions and warnings on the machine and in this manual.

1. The spark plug wire was disconnected for safety. Attach spark plug wire to spark plug before starting.

**IMPORTANT:** For complete and detailed engine starting, stopping and storing instructions, it is recommended that you read the engine manual also included with this unit.

## Fuel And Oil Mixture



**WARNING:** Use extreme care when handling gasoline. Gasoline is extremely flammable and the vapors are explosive. Never fuel machine indoors or while the engine is hot or running. Extinguish cigarettes, cigars, pipes and other sources of ignition.

**IMPORTANT:** This unit runs on a mixture of gasoline and oil. Do NOT operate the snow thrower without first reading the engines operator's manual for detailed instructions regarding proper fuel and engine oil. Do NOT operate the snow thrower without the fuel cap securely in place on the fuel tank.

## Positioning the Discharge Chute

1. Loosen the wing knob found on the left side of the discharge chute and pivot the upper chute upward or downward to the desired pitch. Retighten the star knob before operating the snow thrower.



Figure 5

2. Rotate the discharge chute to the left or right using the chute handle. See Figure 5.

## To Start Engine

1. Insert ignition key into slot.
2. Now follow the instructions below as it pertains to your unit. See Figure 5 for location of controls.

## Electric Starter (if equipped)



**WARNING:** The electric starter must be used with a properly grounded three-prong receptacle at all times to avoid the possibility of electric shock. Follow all instructions carefully prior to operating the electric starter.

1. The electric starter is equipped with a grounded three-wire power cord and plug, and is designed to operate on 120 volt AC household current.
2. Determine that your house wiring is a three-wire grounded system. Ask a licensed electrician if you are not certain.
3. **If your home wiring system is not a three-wire grounded system**, do not use this electric starter under any conditions.
4. **If your home electrical system is grounded**, but a three-hole receptacle is not available, one should be installed by a licensed electrician before using the electric starter.
5. **If you have a grounded three-prong receptacle**, proceed as follows.
6. Move Choke Control to the "Full" position.
7. Push Primer three (3) times, making sure to cover vent hole when pushing.
8. Connect power cord to switch box on dash panel. Plug the other end of power cord into a three-prong 120-volt, grounded, AC receptacle.
9. Push starter button to crank engine.
10. When engine starts, release starter button, and move choke gradually to 1/2 Choke until the engine runs smoothly. Next move Choke to OFF. If engine falters, move choke immediately to FULL and then gradually to 1/2 then to OFF.
11. Disconnect the power cord. **Always unplug from the outlet first, and then from the snow thrower.**

## Recoil Starter

1. Move choke lever to FULL choke position (*cold engine start*).
2. If engine is warm, place choke in OFF position instead of FULL.
3. Push Primer three (3) times, making sure to cover vent hole when pushing.
4. If engine is warm, push primer button only once.

**NOTE:** Always cover vent hole in primer button when pushing. Additional priming may be necessary for first start if temperature is below 15 degrees Fahrenheit.

5. Grasp starter handle and pull rope out slowly, until it pulls slightly harder. Let rope rewind slowly.
6. Pull starter handle rapidly. Do not allow handle to snap back. Allow it to rewind slowly while keeping a firm hold on the starter handle.



- As engine warms up and begins to operate evenly, rotate choke lever slowly to the 1/2 Choke position. When the engine begins to run smoothly, move the choke to the OFF position. If engine falters, return to FULL choke, then slowly move to 1/2 then OFF position.

## To Stop Engine

- To stop engine, turn ignition key counter-clockwise. Disconnect the spark plug wire from the spark plug to prevent accidental starting while equipment is unattended.

### To help prevent possible freeze-up of starter, proceed as follows:

- Run engine for a few minutes before stopping to help dry off any moisture on the engine.
- Electric Starter: Connect power cord to switch box on engine, then to 120 volt AC receptacle. With the engine running, push starter button and spin the starter for several seconds. The unusual sound made by spinning the starter will not harm engine or starter. Disconnect the power cord from receptacle first, and then from switch box.
- Recoil Starter: With engine running, pull starter rope with a rapid, continuous full arm stroke three or four times. Pulling the starter rope will produce a loud clattering sound, which is not harmful to the engine or starter.
- Wipe all snow and moisture from the carburetor cover in the area of the control levers. Also, move control levers back and forth several times. Leave choke control in the FULL choke position.
- Remove ignition key and disconnect spark plug wire to prevent accidental starting.

## Operating the Snow Thrower

The pitch of the chute assembly controls the angle at which the snow is thrown.

- Loosen the star knob found on the left side of the chute assembly and pivot the upper chute upward or downward to the desired pitch. Retighten the star knob before operating the snow thrower.

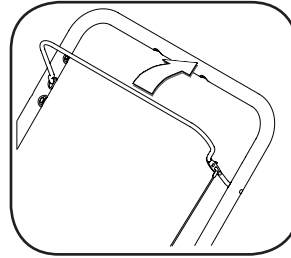


Figure 6

- Position the chute assembly opening by using the Chute Handle to throw the snow in the desired direction. See inset Figure 6.

## Clearing Snow



**WARNING: Never operate the snow thrower with bystanders in front of or near the discharge chute opening.**

- Engage the auger by squeezing the auger control handle against the upper handle. See Figure 5.
- Lift up slightly on the handle to allow the rubber paddles on the auger to contact the pavement and propel the snow thrower forward. Pushing downward on the handle will raise the augers off the ground and stop forward motion.
- Discharge snow downwind whenever possible. Slightly overlap each previously cleared path.

**NOTE:** Excessive upward pressure on the handle will result in premature wear on the rubber auger blades which would not be covered by warranty.

## Operating Tips

- Run the engine for a few minutes before stopping to help dry any moisture on the engine.
- Clean the snow thrower thoroughly after each use.



**WARNING: Muffler, engine and surrounding areas become hot and can cause a burn. Be careful and do not touch when hot.**

# 5

## Operation



## WARNING

**Muffler, engine and surrounding areas become hot and can cause a burn. Do not touch.**

**Never operate the snow thrower with bystanders in front of or near the discharge chute opening.**



**NOTE: Excessive upward pressure on the handle will result in premature wear on the rubber auger blades which would not be covered by warranty.**

# 6

## Adjustments & Maintenance



### WARNING

Disconnect the spark plug wire and ground it against the engine to prevent unintended starting.

NEVER attempt to make any adjustments while the engine is running, except where specified in the operator's manual.

Before servicing, repairing, or inspecting, disengage the control bail and stop engine. Wait until all moving parts have come to a complete stop.

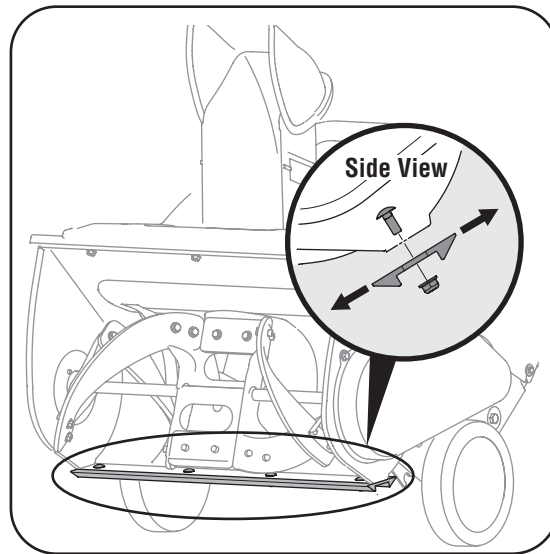


Figure 7

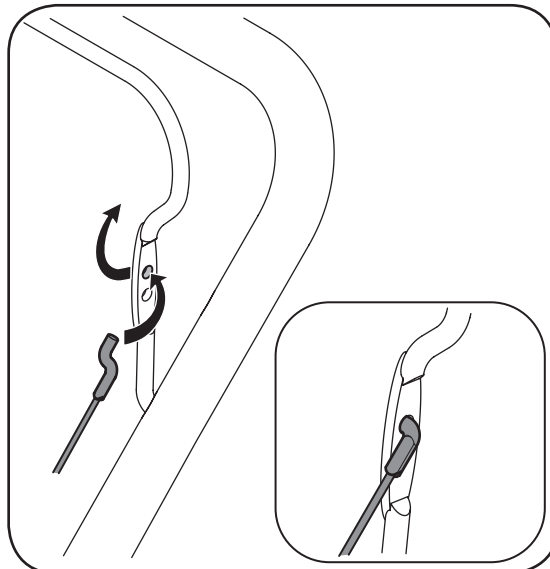


Figure 8



**WARNING:** Disconnect the spark plug wire and ground it against the engine to prevent unintended starting.



**WARNING:** NEVER attempt to make any adjustments while the engine is running, except where specified in the operator's manual.

## Shave Plate

1. To check the adjustment of the shave plate, place the unit on a level surface. The wheels, shave plate and augers should all contact level surface. Note that if the shave plate is adjusted too high, snow may blow under the housing. If the shave plate wears out excessively, or the unit does not self-propel, the shave plate may be too low and needs to be adjusted.

**NOTE:** On new units or units with a new shave plate installed, the augers may be slightly off the ground.

2. To adjust, tip the snow thrower back so that it rests on the handle. Loosen the lock nuts and bolts which secure the shave plate to the housing. See Figure 7. Move the shave plate to desired position and retighten the nuts and bolts securely.

## Replacing Shave Plate

The shave plate is attached to the bottom of the auger housing and is subject to wear. It should be checked periodically. There are two wearing edges and the shave plate can be reversed. Refer to Figure 7.

1. Remove the carriage bolts and hex lock nuts which attach it to the snow thrower housing.
2. Install new shave plate, making sure the heads of the carriage bolts are on the inside of the housing.
3. Adjust the shave plate according to instructions above. Tighten the nuts securely before operating the snow thrower.

**NOTE:** For information regarding the price and availability of Shave Plate Kit refer to customer support on page 2.

## Control Cable

As a result of both the control cable and the drive belt stretching due to wear, periodic adjustments may be necessary.

If the auger seems to hesitate when rotating while the engine maintains a constant speed, an adjustment is necessary. Proceed as follows:

The upper hole in the control handle provides for an adjustment in cable tension. To adjust, disconnect the end of control cable from the bottom hole in the control handle and reinsert it in the upper hole. Insert the cable from the outside as shown in Figure 8. Test the snow thrower to see if there is a noticeable difference.

## Carburetor



**WARNING:** If any adjustments need to be made to the engine while the engine is running (e.g. carburetor), keep clear of all moving parts. Be careful of muffler, engine and other surrounding heated surfaces.

1. Refer to the separate engine manual, packed with your unit, for carburetor adjustment information.

## Replacing Belt



**WARNING:** Before servicing, repairing, or inspecting, disengage the control bail and stop engine. Wait until all moving parts have come to a complete stop. Disconnect spark plug wire and ground it against the engine to prevent unintended starting.

Remove the belt cover by removing five hex screws. See Figure 9. Then simply pull the belt off by grasping it from the bottom of the auger pulley and pulling off. Once you remove the belt from the pulleys, you can push down on the idler pulley to release the belt from under the belt keeper.

To replace the belt follow these instructions and refer to Figure 10:

1. Push down on the Idler pulley.
2. Put belt on top of the auger pulley, under belt keeper.
3. Thread belt around engine pulley.
4. Push belt over bottom of auger pulley.

Reinstall the belt cover removed earlier.

## Engine

1. Refer to the separate engine manual for all engine maintenance procedures.
2. Check engine and snow thrower frequently for loose hardware, and tighten as needed.

## Lubrication

Lubricate pivot points on the control handle and the extension spring at the end of the control cable with a light oil once every season and before storage of the snow thrower at the end of the season.

## Replacing Auger Paddles

The snow thrower auger's rubber paddles are subject to wear and should be replaced if any signs of excessive wear is present.

**IMPORTANT:** Do NOT allow the auger's rubber paddles to wear to the point where portions of the metal auger itself can come in contact with the pavement. Doing so can result in serious damage to your snow thrower.

**NOTE:** For information regarding the price and availability of Auger Kit refer to customer support on page 2.

To change the rubber paddles, proceed as follows:

1. Remove the existing rubber paddles by unscrewing the self-tapping screws which secure them to the auger. See Figure 11.
2. Secure the replacement rubber paddles to the auger using the hardware removed earlier.

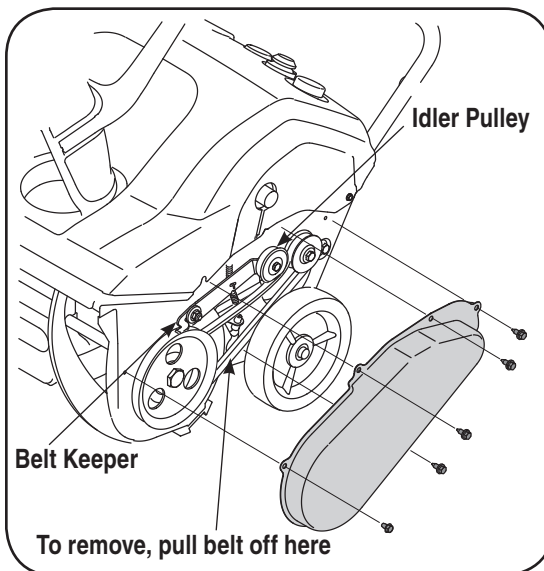


Figure 9

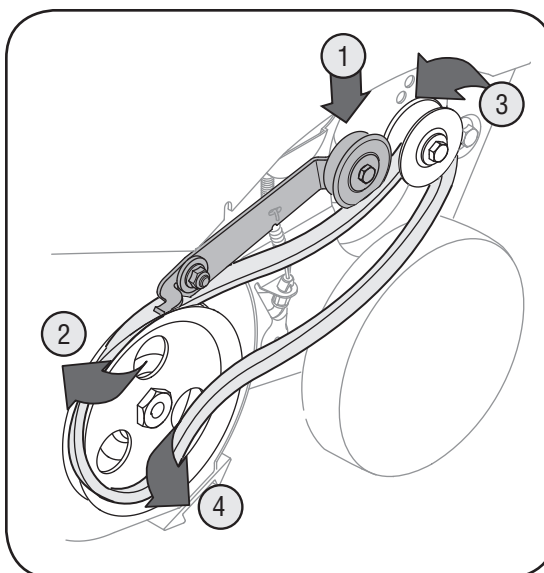


Figure 10

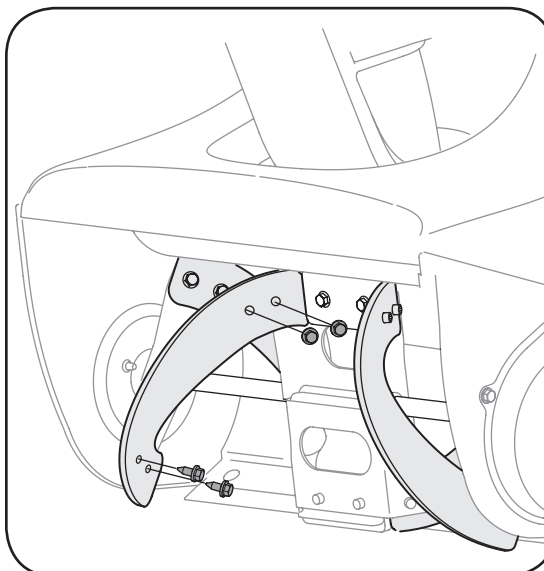


Figure 11

# 6

## Adjustments & Maintenance



### WARNING

Before servicing, repairing, or inspecting, disengage the control bail and stop engine. Wait until all moving parts have come to a complete stop. Disconnect spark plug wire and ground it against the engine to prevent unintended starting.



**IMPORTANT:** Do NOT allow the auger's rubber paddles to wear to the point where portions of the metal auger itself can come in contact with the pavement. Doing so can result in serious damage to your snow thrower.

# 7

## Off-Season Storage



### WARNING

**Never store snow thrower with fuel in tank indoors or in poorly ventilated areas, where fuel fumes may reach an open flame, spark or pilot light as on a furnace, water heater, clothes dryer or gas appliance.**

**Drain fuel into an approved container outdoors, away from any open flame. Be certain engine is cool. Do not smoke. Fuel left in engine during warm weather deteriorates and will cause serious starting problems.**

**Do not drain carburetor if using fuel stabilizer. Never use engine or carburetor cleaning products in the fuel tank or permanent damage may occur.**

Observe the following, when preparing your snow thrower for off-season storage:

- Drain fuel into an approved container outdoors, away from any open flame. Allow engine to cool. Extinguish cigarettes, cigars, pipes and other sources of ignition prior to draining fuel. Fuel left in engine during warm weather deteriorates and will cause serious starting problems.
- If unit is to be stored over 30 days, prepare for storage as instructed in the separate engine manual packed with your unit.
- Run engine until fuel tank is empty and engine stops due to lack of fuel.
- Remove gasoline from carburetor and fuel tank to prevent gum deposits from forming on these parts and causing possible malfunction of engine.
- Drain carburetor by pressing upward on bowl drain, located below the carburetor cover.
- Fuel stabilizers, such as STA-BIL®, are an acceptable alternative in minimizing the formation of fuel gum deposits during storage. Do not drain carburetor if using a fuel stabilizer.
- Wipe equipment with an oiled rag to prevent rust.
- Remove spark plug and pour one ounce of engine oil through spark plug hole into cylinder. Cover spark plug hole with rag. Crank engine several times to distribute oil. Replace spark plug.
- Follow the lubrication recommendations found in the Maintenance Section.
- Always store the snow thrower in a clean, dry area.

<b>Problem</b>	<b>Cause</b>	<b>Remedy</b>
Engine fails to start	<ol style="list-style-type: none"> <li>1. Choke not in ON position.</li> <li>2. Spark plug wire disconnected.</li> <li>3. Fuel tank empty or stale fuel.</li> <li>4. Engine not primed.</li> <li>5. Faulty spark plug.</li> <li>6. Blocked fuel line.</li> <li>7. Safety key not in ignition on engine.</li> <li>8. Fuel shut-off valve closed. (If</li> </ol>	<ol style="list-style-type: none"> <li>1. Move choke to ON position.</li> <li>2. Connect wire to spark plug.</li> <li>3. Fill tank with clean, fresh gasoline.</li> <li>4. Prime engine as instructed in "Operating Your Snow Thrower".</li> <li>5. Clean, adjust gap, or replace.</li> <li>6. Clean fuel line.</li> <li>7. Insert key fully into the switch.</li> <li>8. Open fuel shut-off valve.</li> </ol>
Engine runs erratic	<ol style="list-style-type: none"> <li>1. Unit running on CHOKE.</li> <li>2. Blocked fuel line or stale fuel.</li> <li>3. Water or dirt in fuel system.</li> <li>4. Carburetor out of adjustment.</li> </ol>	<ol style="list-style-type: none"> <li>1. Move choke lever to OFF position.</li> <li>2. Clean fuel line; fill tank with clean, fresh gasoline.</li> <li>3. Drain fuel tank. Refill with fresh fuel.</li> <li>4. Contact Service Center.</li> </ol>
Engine overheats	<ol style="list-style-type: none"> <li>1. Carburetor not adjusted properly.</li> </ol>	<ol style="list-style-type: none"> <li>1. Contact Service Center.</li> </ol>
Excessive Vibration	<ol style="list-style-type: none"> <li>1. Loose parts or damaged auger.</li> </ol>	<ol style="list-style-type: none"> <li>1. Stop engine immediately and disconnect spark plug wire. Tighten all bolts and nuts. If vibration continues, have unit serviced by a Service Center.</li> </ol>
Loss of power	<ol style="list-style-type: none"> <li>1. Spark plug wire loose.</li> <li>2. Gas cap vent hole plugged.</li> <li>3. Exhaust port plugged.</li> </ol>	<ol style="list-style-type: none"> <li>1. Connect and tighten spark plug wire.</li> <li>2. Remove ice and snow from gas cap. Be certain vent hole is clear.</li> <li>3. Contact Service Center.</li> </ol>
Unit fails to propel itself	<ol style="list-style-type: none"> <li>1. Drive control cable in need of adjustment.</li> <li>2. Drive belt loose or damaged.</li> </ol>	<ol style="list-style-type: none"> <li>1. Adjust drive control cable. Refer to "Adjustments".</li> <li>2. Replace drive belt.</li> </ol>
Unit fails to discharge snow	<ol style="list-style-type: none"> <li>1. Chute assembly clogged.</li> <li>2. Foreign object lodged in auger.</li> <li>3. Auger belt loose or damaged.</li> </ol>	<ol style="list-style-type: none"> <li>1. Stop engine immediately and disconnect spark plug wire. Clean chute assembly and inside of auger housing with clean-out tool or a stick.</li> <li>2. Stop engine immediately and disconnect spark plug wire. Remove object from auger.</li> <li>3. Refer to Maintenance section.</li> </ol>

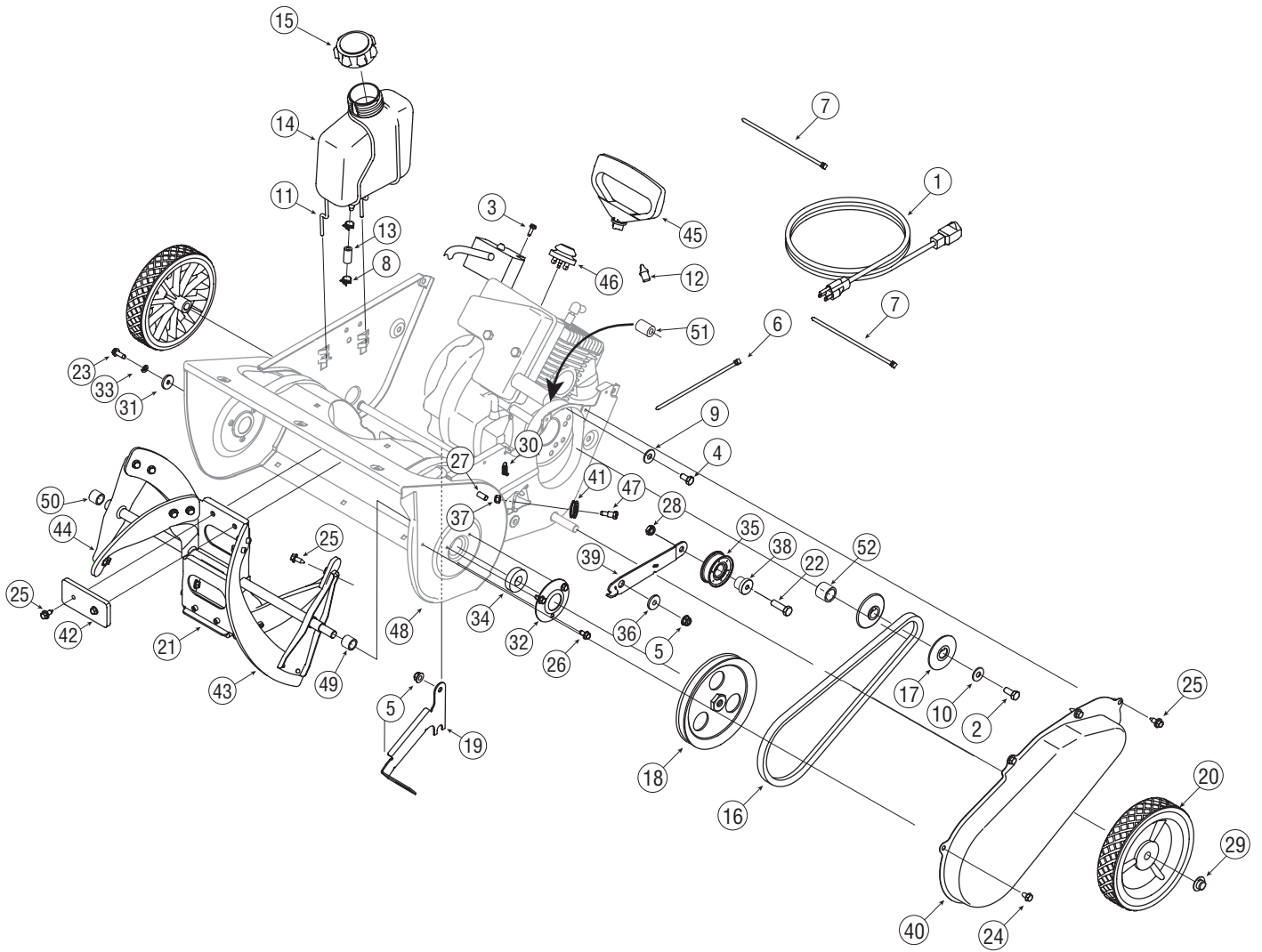
# 8

## Trouble-Shooting



**NOTE:** This section addresses minor service issues. For further details, contact customer assistance.

# Models/Modèles 230-260



## Models/Modèles 230-260

REF NO. N° DE RÉF	PART NO. N° DE PIÈCE	DESCRIPTION	DESCRIPTION
1	629-0236	Cord-Extension 110V3M 2 Prong	Corde
2	710-0627	Hex L-Bolt 5/16-24 x .75 Gr. 5	Boulon hex 5/16-24 x 0,75 Qual. 5
3	710-1003	Hex Wash B-Tapp Scr #10 x .62" Lg.	Vis taraudée n°. 10 x 0,62 po de lg.
* 4	710-0805	Screw-Hex Cap 5/16-18 x 1.5 Gr. 5	Vis à tête hex. 5/16-18 x 1,5 Qual. 5
**	710-3025	Screw-Hex Cap 5/16-18 x .625 Gr. 5	Vis à tête hex. 5/16-18 x 0,625 Qual. 5
5	712-04063	Flange Locknut 5/16-18 Gr. F, Nylon	Contre-écrou à embase 5/16-18 Qual. F, nylon
6	725-0157	Cable Tie	Attache-câble
7	726-0154	Push Mount Tie	Tige de poussoir
8	726-0205	Hose Clamp	Collier
9	736-0119	Lockwasher 5/16	Rondelle frein 5/16
10	736-0242	Cupped Washer .340 ID x .872 OD x .06	Rondelle creuse 0,340 DI x 0,872 DE x 0,06
11	747-04150	Gas Tank Support Wire	Fil de support - réservoir à carburant
12	7511825510	Choke Lever Knob	Manette du volet de départ
13	751-0535	Fuel Line	Ligne d'essence
14	751-10023	Fuel Tank 2 Quart	Réservoir de carburant de 2 quarts
15	751-10487	Cap-Fuel	Capuchon d'essence
* 16	754-0367	V-Belt	Courroie trapezoidale
**	754-0101A	V-Belt 1/2 x 35.0" Lg.	Courroie trapezoidale 1/2 x 35,0 po de lg
17	756-0416B	Pulley Half .625 ID x 2.25 OD	Moitié poulie 0,625 DI x 2,25 DE
* 18	756-04243	Pulley	Poulie
**	756-04232	V-Pulley 1/2 x 6,0" OD	Poulie, 1/2 x 6,0" DE
19	790-00225	2-cycle Mounting Bracket	Support de montage
20	734-04070	Wheel, 7 x 1.50 dia. Lug	Roue, 7 x 1,50 diam. Lug
21	684-04253	Auger Assembly	Ensemble de la tarière
22	710-0106	Hex Screw 1/4-20 x 1.25 Gr. 5	Vis à tête hexagonale 1/4-20 x 1,25 Qual 5
23	710-0642	Thd Forming Scr. 1/4-20 x .75 Lg.	Vis taraudée 1/4-20 x 0,75 lg.
24	710-0653	Hex Wash HD Tapp Scr 1/4-20 x .375	Vis auto-taraudeuse hexagonale 1/4-20 x 0,375
25	710-0896	Hex B-Tap Scr 1/4-28 x .25" Lg	Vis taraudée à tête hexagonale 1/4-28 x 0,25
26	710-1005	Hex Tap Scr. 1/4-14 x .5" Lg.	Vis taraudée 1/4-14 x 0,50 po de lg.
27	710-3008	Hex Bolt 5/16-18 x .75" Lg. Gr. 5	Boulon hex. 5/16-18 x 0,75 po de lg. Qual. 5
28	712-04064	Flange Locknut 1/4-20 Gr. F, Nylon	Contre-écrou à embase 1/4-20 Qual. F, nylon
29	726-0299	Push Cap x 1/2" Rod	Écrou pour tige de 1/2 po
30	732-0357A	Extension Spring .33 OD x 1.12 Lg.	Ressort d'extension 0,33 DE x 1,12 po de lg
31	736-0176	Flat Washer .25 ID x .93 OD x .125	Rondelle plate 0,25 DI x 0,93 DE x 0,125
32	790-00249	Bearing Cup	Roulement à cuvette
33	736-0329	L-Wash 1/4 ID	Rondelle 1/4 DI
34	741-04188A	Ball Bearing .625 x 37 x 12.63	Roulement à billes 0,625 x 37,0 x 12,63
35	684-04168	Idler Pulley (1/4" hole)	Poulie du tendeur (trou 1/4 po)
36	748-0234	Shoulder Spacer .25 Thk.	Entretoise épaulée
37	712-0896	Hex Ins Jam L-Nut 1/4-28	Contre-écrou de blocage 1/4-28
38	750-04571	Shoulder Spacer	Entretoise
39	790-00238A	Idler Bracket	Support du tendeur
40	790-00045A	Belt Cover	Couvercle de courroie
41	756-0625	Cable Guide Roller	Guide du câble
42	735-04033	Rubber Paddle	Pale en caoutchouc
43	735-04032	Rubber Spiral-Crescent	Spirale en caoutchouc - croissant
44	684-04252	Auger Ass'y 21" w/Solid Shaft (w/o rubber paddels)	Ensemble de la tarière de 21 po avec arbre solide (sans pale en caoutchouc)
45	7510009636	Recoil Handle, Mitten	Poignée du démarreur
46	7512B1476	Primer	Amorçeur
47	738-0924A	Hex Shld.Scr.1/4-28 x .375	Vis à épaulement 1/4-28 x 0,375
48	684-04227	Auger Assembly Housing	Logement de la tarière
* 49	750-04757	Auger Spacer LH	Entretoise de la tarière - gauche
* 50	750-04758	Auger Spacer RH	Entretoise de la tarière - droite
* 51	750-0589	Spacer .325 ID x .625 OD x .88	Entretoise 0,325 DI x 0,625 DE x 0,88
* 52	750-0716A	Spacer .630 x .88 x .747	Entretoise 0,630 DI x 0,88 DE x 0,747

\* 98 cc Tec. only/98 cc Tec. seulement  
 \*\* 139 cc Tec. only/139 cc Tec. seulement

31A-2501  
 6.26.07

NOTE: Snow thrower features/components vary by model. NOT all parts listed above and pictured on the previous page are standard equipment.

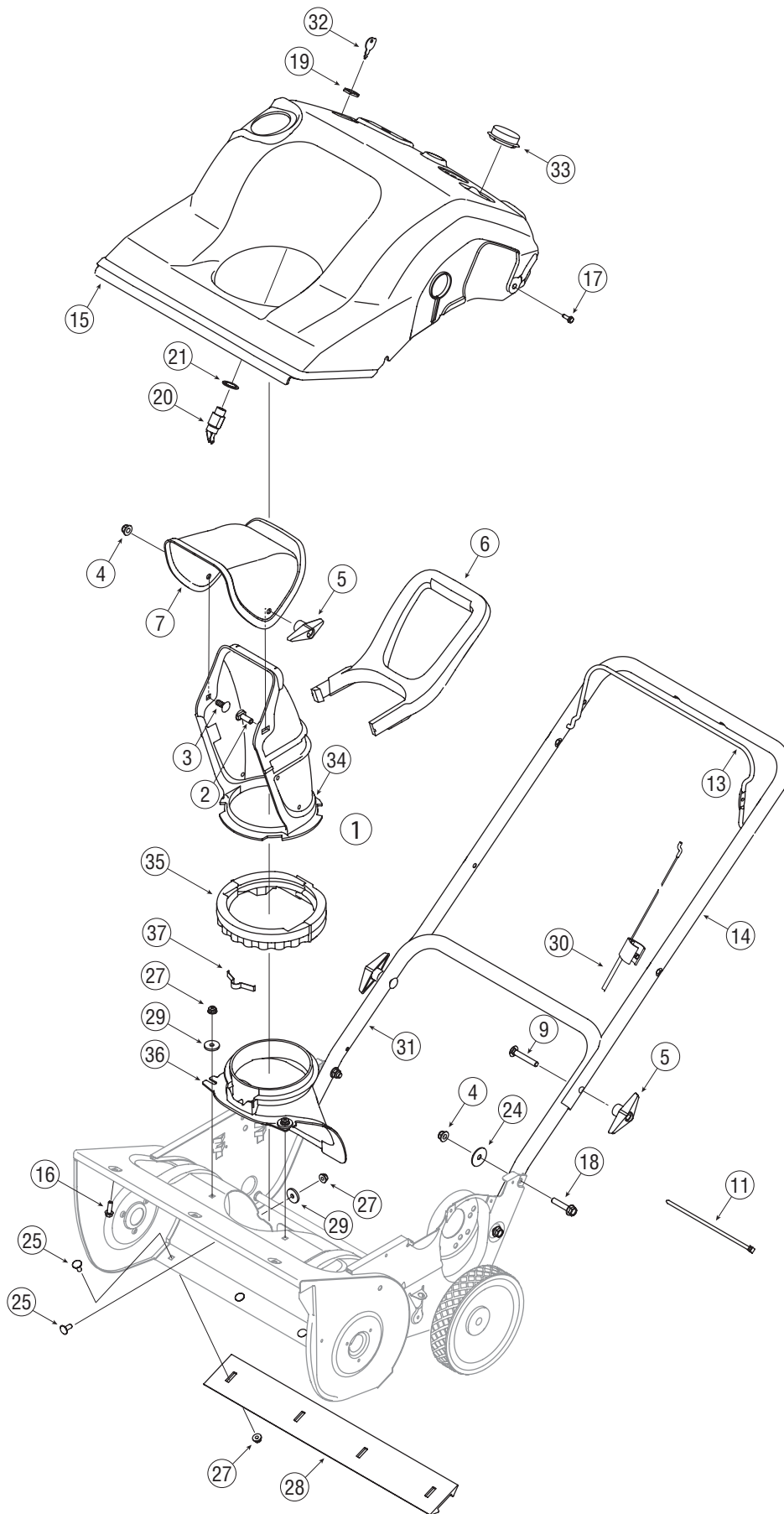
# 9

## Illustrated Parts/ Pièces détachés



For parts and/or accessories refer to customer support on page 2.

Adressez-vous au «Service après-vente» à la page 2 pour ce qui concerne les pièces et/ou accessoires.





## Models/Modèles 230-260

REF NO. N° DE RÉF	PART NO. N° DE PIÈCE	DESCRIPTION	DESCRIPTION
1	684-04127	Lower Chute Ass'y (Incl. #5-7 and 10)	Ens. de la goulotte inf. comp. les nos. 5-7 et 10
2	710-04071	Carriage Screw 5/16-18 x 1.0	Vis ordinaire 5/16-18 x 1,0
3	710-0451	Carriage Bolt 5/16-18 x .75	Boulon ordinaire 5/16-18 x 0,75
4	712-04063	Flange Locknut 5/16-18 Gr. F, Nylon	Contre-écrou à embase 5/16-18 Qual. F, nylon
5	720-0284	Handle Knob Assembly	Bouton
6	731-04388A	Chute Handle	Poignée - goulotte d'éjection
7	731-04354B	Upper Chute	Goulotte supérieur
8	736-0159	Flat Washer .349 ID x .879 OD x .063	Rondelle plate 0,349 DI x 0,879 DE x 0,063
9	710-04532	Carriage Bolt 5/16-18 x 2.0 Gr. 5	Boulon ordinaire 5/16-18 x 2,0 Qual. 5
11	725-0157	Cable Tie	Attache-câble
13	747-04165	Gull Wing Bail	Étier de suspension
14	749-1092A	Upper Handle	Guidon supérieur
15	684-04144	Shroud Ass'y (98 cc)	Capot (98 cc)
	684-04042	Shroud Ass'y (139 cc)	Capot (139 cc)
16	710-04187	Hi-Lo Screw 1/4-15 x .50	Vis 1/4-15 x 0,50
17	710-04669	Hex Wash B-Tapp Scr #10 x .62" Lg.	Vis taraudée no. 10 x 0,62 po de lg.
18	710-1882	Hex Scr. 5/16-18 x 1.50 Gr. 5	Vis hexagonal 5/16-18 x 1,50 Qual. 5
19	712-0252	Hex Nut 5/8-32 x .12 Special	Écrou à six pans 5/8-32 x 0,12 speciale
20	725-2018	Key Switch-Electric Start	Contacteur d'allumage - démarreur électrique
21	736-0225	L-Washer Internal	Rondelle frein interne
22	736-0400	Flat Washer .218" ID x .62" OD	Rondelle plate 0,218" DI x 0,62" DE
24	736-0362	Flat Washer .22 ID x 1.25	Rondelle plate 0,22 DI x 1,25
25	710-0134	Carriage Bolt 1/4-20 x .62	Boulon ordinaire 1/4-20 x 0,62
27	712-04064	Hex L-Flanged Nut 1/4-20 Gr. F Nylon	Contre-écrou à embase 1/4-20 Qual. F nylon
28	731-1033	Shave Plate	Grattoir
29	736-0176	Flat Washer .25 ID x .93 OD x .125	Rondelle plate 0,25 DI x 0,93 DE x 0,125
30	746-04237	Control Cable	Câble de la commande
31	749-04114	Lower Handle	Guidon inférieur
32	725-0201	Ignition Key	Clavette
33	731-1133C	Spark Plug Cover	Couvercle de la bougie
34	731-04127	Lower Chute 5" Dia	Goulotte d'éjection inférieure dia. 5 po
35	731-04353	Ring-Lower Chute	Bague - goulotte d'éjection inférieure
36	731-04886	Chute Adapter 5" Dia	Adaptateur de la goulotte 5 po de dia.
37	732-04111	Chute Adjustment Spring	Ressort d'ajustement - goulotte d'éjection

31A-2502  
6.27.07

# 9

## Illustrated Parts/ Pièces détachés



For parts and/or accessories refer to customer support on page 2.  
Adressez-vous au «Service après-vente» à la page 2 pour ce qui concerne les pièces et/ou accessoires.

# 10

## Warranty



**Failure to comply with suggested maintenance and lubrication specifications will void warranty.**

## TWO YEAR LIMITED WARRANTY

The limited warranty set forth below is given by MTD LLC with respect to new merchandise purchased and used in the United States and/or its territories and possessions, and by MTD Products Limited with respect to new merchandise purchased and used in Canada and/or its territories and possessions (either entity respectively, "MTD").

MTD warrants this product (excluding its normal wear parts as described below) against defects in material and workmanship for a period of two (2) years commencing on the date of original purchase and will, at its option, repair or replace, free of charge, any part found to be defective in materials or workmanship. This limited warranty shall only apply if this product has been operated and maintained in accordance with the Operator's Manual furnished with the product, and has not been subject to misuse, abuse, commercial use, neglect, accident, improper maintenance, alteration, vandalism, theft, fire, water, or damage because of other peril or natural disaster. Damage resulting from the installation or use of any part, accessory or attachment not approved by MTD for use with the product(s) covered by this manual will void your warranty as to any resulting damage.

Normal wear parts are warranted to be free from defects in material and workmanship for a period of thirty (30) days from the date of purchase. Normal wear parts include, but are not limited to items such as: batteries, belts, blades, blade adapters, grass bags, rider deck wheels, seats, snow thrower skid shoes, friction wheels, shave plates, auger spiral rubber and tires.

**HOW TO OBTAIN SERVICE:** Warranty service is available, WITH PROOF OF PURCHASE, through your local authorized service dealer. To locate the dealer in your area;

**In the U.S.A.:** Check your Yellow Pages, or contact MTD LLC at P.O. Box 361131, Cleveland, Ohio 44136-0019, or call 1-800-800-7310 or 1-330-220-4683 or log on to our Web site at [www.mtdproducts.com](http://www.mtdproducts.com).

**In Canada:** Contact MTD Products Limited, Kitchener, ON N2G 4J1, or call 1-800-668-1238 or log on to our Web site at [www.mtdcanada.com](http://www.mtdcanada.com).

This limited warranty does not provide coverage in the following cases:

- a. The engine or component parts thereof. These items may carry a separate manufacturer's warranty. Refer to applicable manufacturer's warranty for terms and conditions.
- b. Log splitter pumps, valves, and cylinders have a separate one-year warranty.
- c. Routine maintenance items such as lubricants, filters, blade sharpening, tune-ups, brake adjustments, clutch adjustments, deck adjustments, and normal deterioration of the exterior finish due to use or exposure.
- d. Service completed by someone other than an authorized service dealer.
- e. MTD does not extend any warranty for products sold or exported outside of the United States and/or Canada, and their respective possessions and territories, except those sold through MTD's authorized channels of export distribution.
- f. Replacement parts that are not genuine MTD parts.
- g. Transportation charges and service calls.
- h. If Products are used commercially. (MTD may separately offer Limited Commercial Warranties on certain select products. Ask your dealer or retailer for details or contact MTD Service for more information.)

**No implied warranty, including any implied warranty of merchantability of fitness for a particular purpose, applies after the applicable period of express written warranty above as to the parts as identified. No other express warranty, whether written or oral, except as mentioned above, given by any person or entity, including a dealer or retailer, with respect to any product, shall bind MTD. During the period of the warranty, the exclusive remedy is repair or replacement of the product as set forth above.**

**The provisions as set forth in this warranty provide the sole and exclusive remedy arising from the sale. MTD shall not be liable for incidental or consequential loss or damage including, without limitation, expenses incurred for substitute or replacement lawn care services or for rental expenses to temporarily replace a warranted product.**

Some jurisdictions do not allow the exclusion or limitation of incidental or consequential damages, or limitations on how long an implied warranty lasts, so the above exclusions or limitations may not apply to you.

In no event shall recovery of any kind be greater than the amount of the purchase price of the product sold. **Alteration of safety features of the product shall void this warranty.** You assume the risk and liability for loss, damage, or injury to you and your property and/or to others and their property arising out of the misuse or inability to use the product.

This limited warranty shall not extend to anyone other than the original purchaser or to the person for whom it was purchased as a gift.

**HOW LOCAL LAWS RELATE TO THIS WARRANTY:** This limited warranty gives you specific legal rights, and you may also have other rights that vary in different jurisdictions.

**IMPORTANT:** Owner must present Original Proof of Purchase to obtain warranty coverage.

**MTD LLC, P.O. BOX 361131 CLEVELAND, OHIO 44136-0019; Phone: 1-800-800-7310, 1-330-220-4683  
MTD Products Ltd., P. O. BOX 1386, KITCHENER, ON N2G 4J1; Phone: 1-800-668-1238**

## Free Manuals Download Website

<http://myh66.com>

<http://usermanuals.us>

<http://www.somanuals.com>

<http://www.4manuals.cc>

<http://www.manual-lib.com>

<http://www.404manual.com>

<http://www.luxmanual.com>

<http://aubethermostatmanual.com>

Golf course search by state

<http://golfingnear.com>

Email search by domain

<http://emailbydomain.com>

Auto manuals search

<http://auto.somanuals.com>

TV manuals search

<http://tv.somanuals.com>