



Illustrated Parts Book



SNOW THROWERS

Model Nos.

317-140-000

317E140-000

317-150-000

317E150-000

317E152-000

1997

Index on Page 2

MTD PRODUCTS INC • P.O. BOX 368022 • CLEVELAND, OHIO 44136-9722

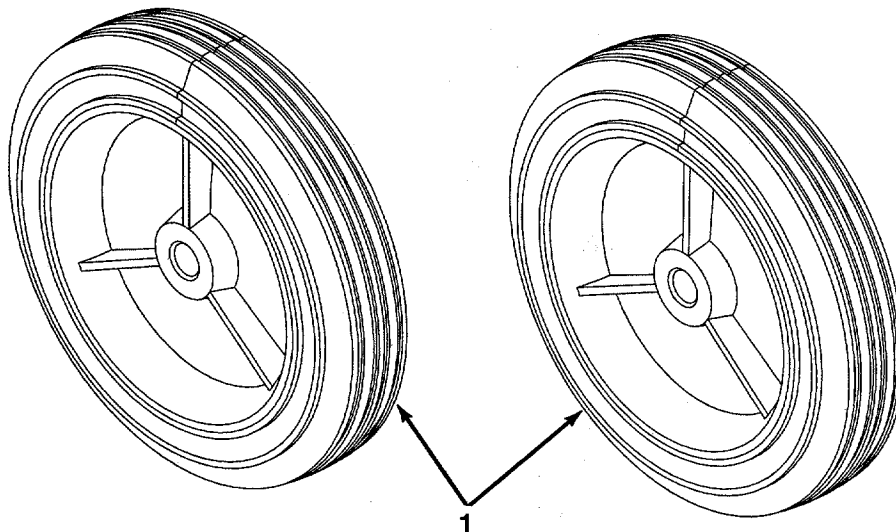
PRINTED IN U.S.A.

FORM NO. 770-97-9A

SINGLE STAGE SNOW THROWERS

Model No.	Page	Model No.	Page
317-140-000		317E150-000	
Chassis	4, 5	Chassis.....	4, 5
Cover & Dash	6	Cover & Dash	7
Engine & V-Belt	9	Engine & V-Belt	12
Upper Handle.....	3	Upper Handle	3
Wheels.....	2	Wheels	2
317E140-000		317E152-000	
Chassis	4, 5	Chassis.....	4, 5
Cover & Dash	6	Cover & Dash	8
Engine & V-Belt	10	Engine & V-Belt	12
Upper Handle.....	3	Upper Handle	3
Wheels.....	2	Wheels	2
317-150-000			
Chassis	4, 5		
Cover & Dash	7		
Engine & V-Belt	11		
Upper Handle.....	3		
Wheels.....	2		

- Model Nos.**
317-140-000
317E140-000
317-150-000
317E150-000
317E152-000

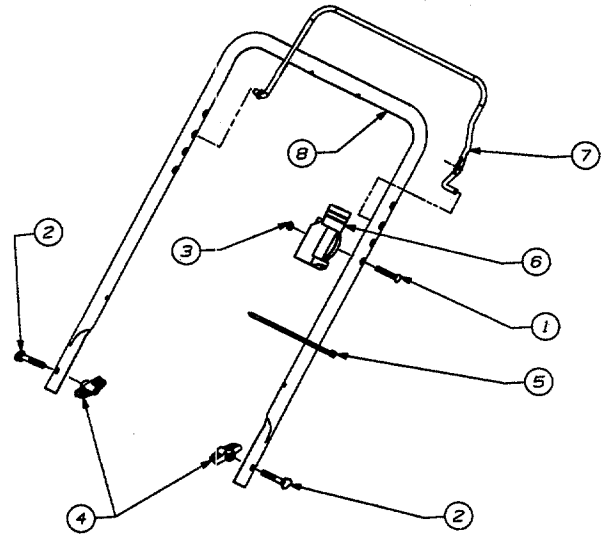


REF. NO.	PART NO.	DESCRIPTION	QTY.
1	734-1176	Wheel Ass'y.—White	2
	734-1799	Wheel Ass'y.—Yellow	2

*Special Order
 Commander
 704-5484*

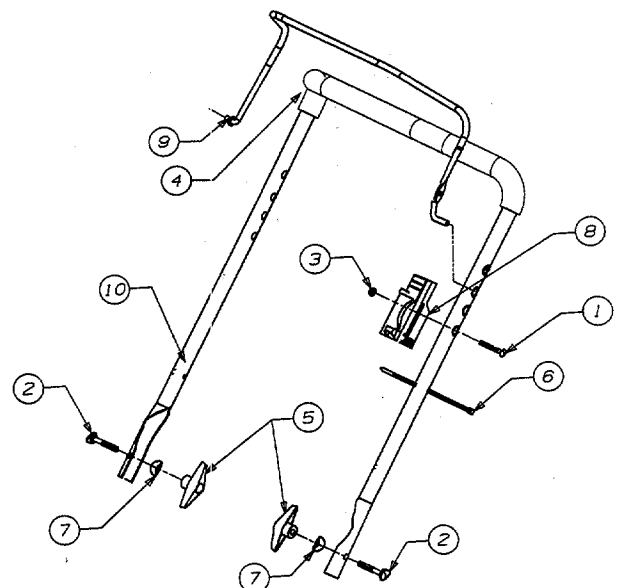
Model Nos.
317-140-000
317E140-000
317-150-000
317E150-000

REF. NO.	PART NO.	DESCRIPTION	QTY.
1	710-1270	Screw—Oval C-Sink L	1
2	710-1174	Bolt Carriage	2
3	712-0324	Nut Insl. Lock	1
4	720-0276	Knob—Handle	2
5	725-0157	Tie Cable	1
6	746-0883	Body—Lever Control	1
7	747-0946	Handle Ass'y. Control	1
8	749-0705	Handle—Upper	1

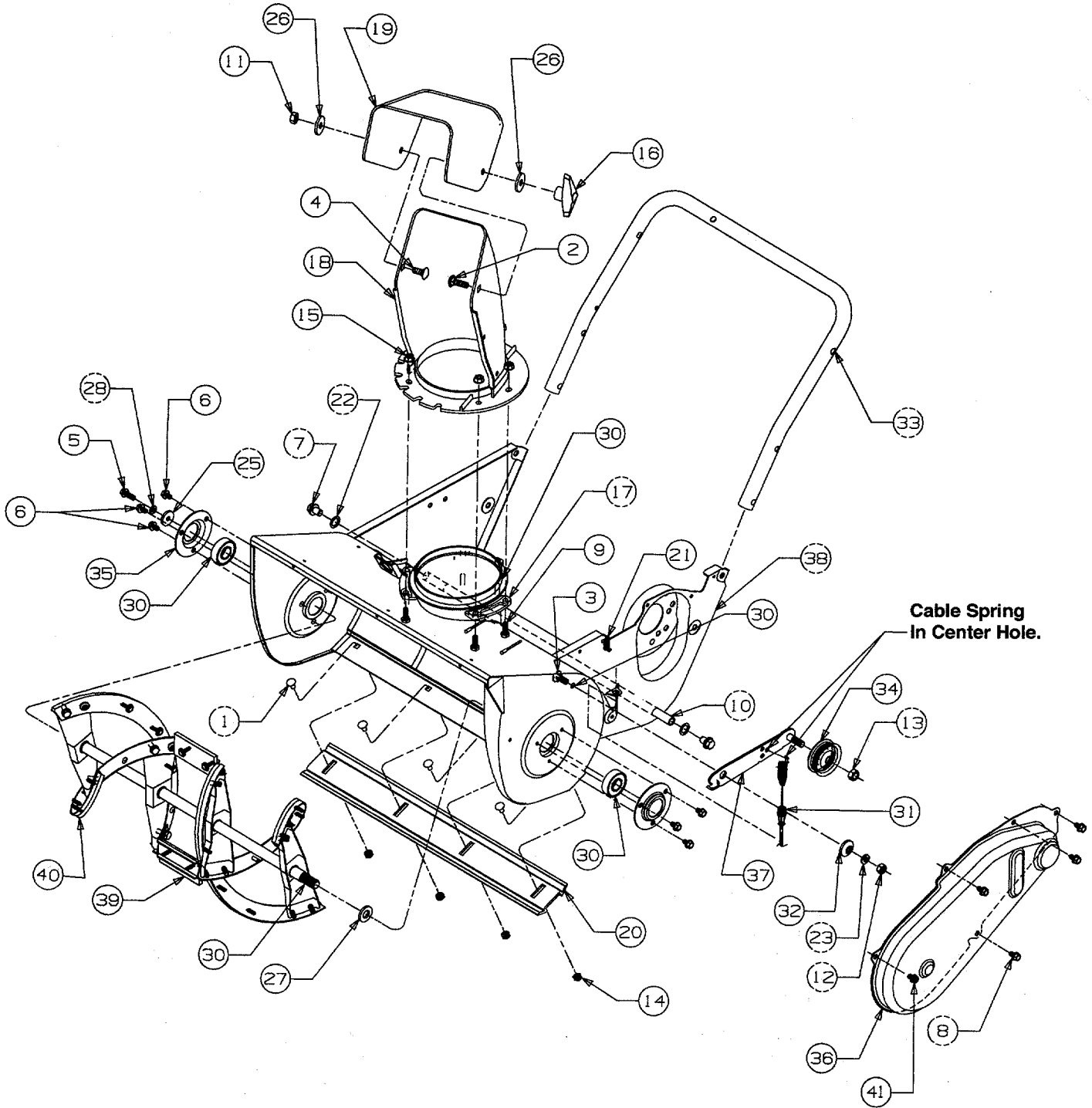


Model No.
317E152-000

REF. NO.	PART NO.	DESCRIPTION	QTY.
1	710-1270	Screw—Oval C-Sink L	1
2	710-1174	Bolt—Carriage	2
3	712-0324	Nut Insl. Lock	1
4	720-0295	Grip Foam	1
5	720-0284	Knob Handle	2
6	725-0157	Tie Cable	1
7	736-0451	Washer Saddle	2
8	746-0883	Body—Lever Control	1
9	747-0956	Handle Ass'y. Control	1
10	749-0711A	Handle—Upper	1



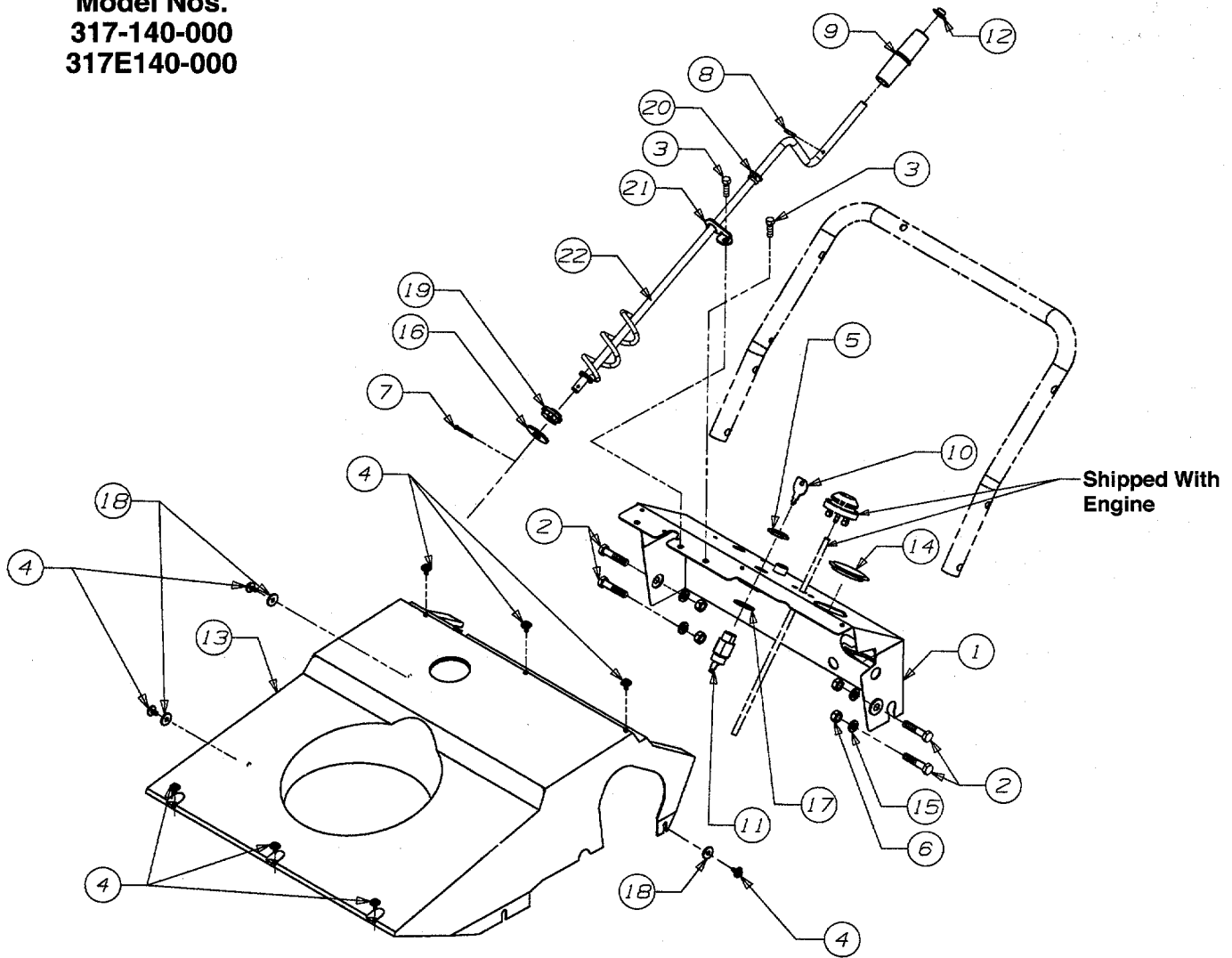
Model Nos.
317-140-000
317E140-000
317-150-000
317E150-000
317E152-000



Model Nos.
317-140-000
317E140-000
317-150-000
317E150-000
317E152-000

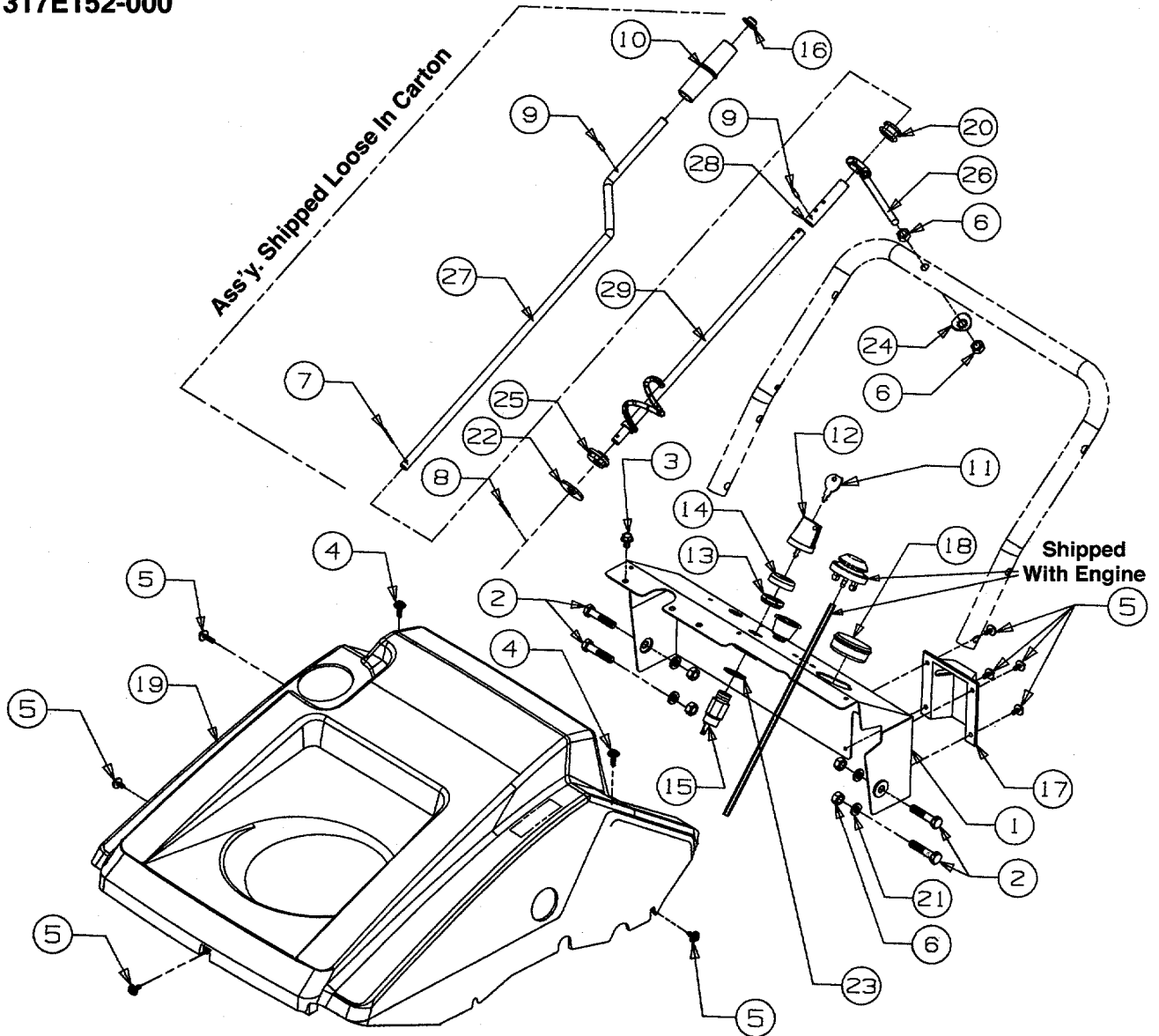
REF. NO.	PART NO.	DESCRIPTION	QTY.	REF. NO.	PART NO.	DESCRIPTION	QTY.
1	710-0167	Bolt—Carriage	4	22	736-0108	Washer—Flat	2
2	710-0276	Bolt—Carriage	1	23	736-0119	Washer—Lock	1
3	771-0323	Screw—Pan Head	1	24	736-0173	Washer—Flat	4
4	710-0451	Bolt—Carriage	1	25	736-0176	Washer—Flat	1
5	710-0642	Screw—Hex Washer	1	26	736-0231	Washer	2
6	710-1005	Screw—Hex Washer	6	27	736-0326	Washer—Flat	1
7	710-0773	Screw—Hex Washer	2	28	736-0329	Washer—Lock	1
8	710-0896	Screw—Hex Washer	4	29	737-0133	Grease	1
9	710-3015	Screw—Hex Cap	6	30	741-0600	Ball Bearing	2
10	711-0848	Axle	1	31	746-0910A	Cable—Clutch	1
11	712-3068	Nut—Hex Center Lock	1	32	748-0234	Spacer—Shoulder	1
12	712-0267	Nut—Hex	1	33	749-0796	Handle—Lower	1
13	712-0296	Nut—Hex Lock	1	34	756-0313	Idler—Flat	1
14	712-0298	Nut—Hex Jam	4	35	784-5174	Cup—Bearing	2
15	712-3027	Nut—Hex Lock Flanged	6	36	784-5176	Cover—Belt	1
16	720-0284	Knob	1	37	784-5180B	Bracket—Idler/Brake	1
17	731-0851A	Keeper—Chute	3	38	784-5325D	Housing—Blower	1
18	731-0915B	Chute—Lower	1	39	784-5485	Auger Ass'y. Comp.	1
19	731-0921	Chute—Upper	1	40	753-0613	Auger Rubber Replacement	1
20	731-1033	Shave Plate	1	41	710-0352	Screw—Hex Washer	1
21	732-0357A	Spring—Extension	1				

Model Nos.
317-140-000
317E140-000



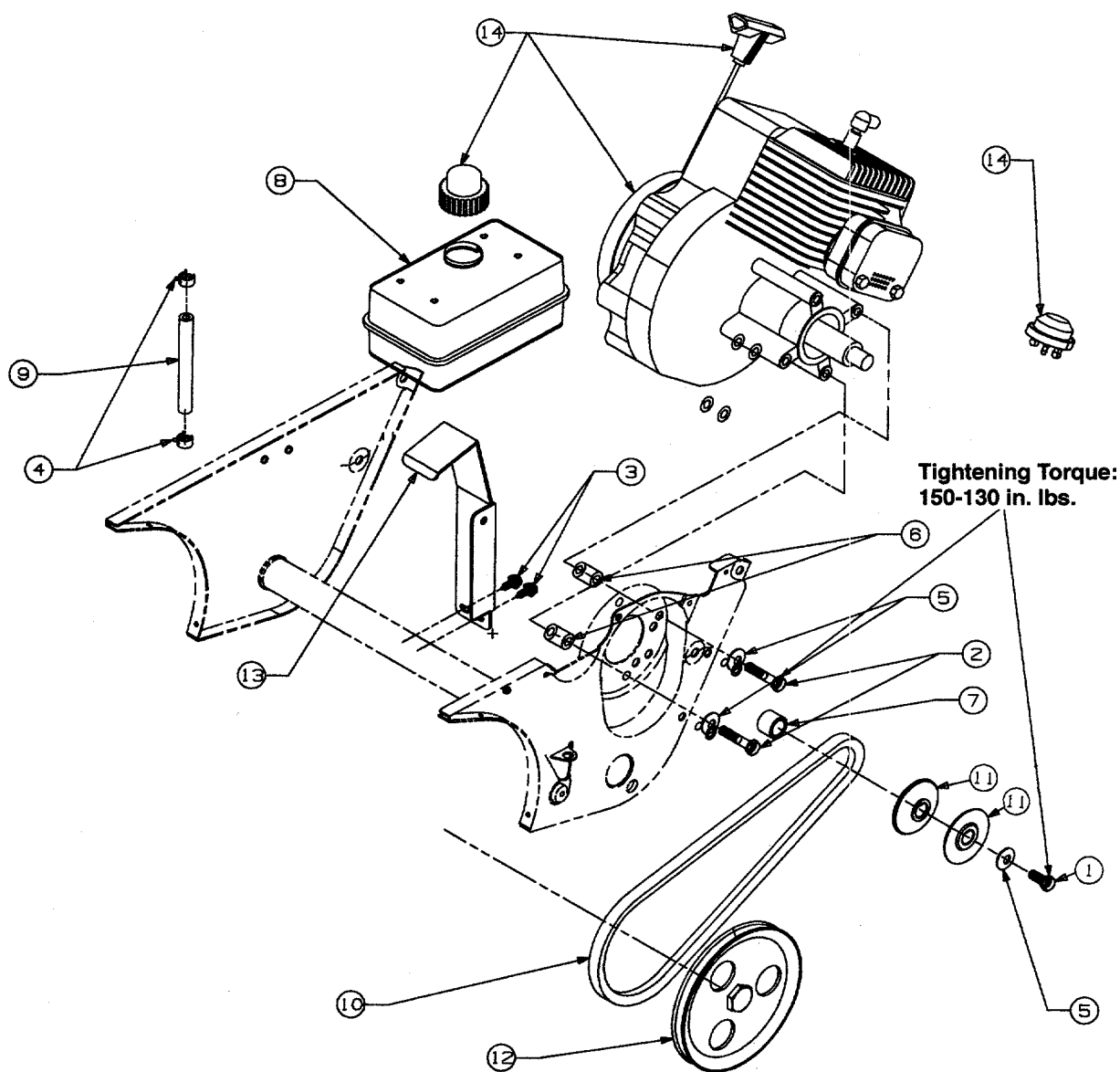
REF. NO.	PART NO.	DESCRIPTION	QTY.	REF. NO.	PART NO.	DESCRIPTION	QTY.
1	684-0056	Dash—21"	1	12	726-0100	Nut Push	1
2	710-0442	Screw—Hex	4	13	731-0702	Shroud	1
3	710-0895	Screw—Hex Tap	2	14	731-0732	Plug	1
4	710-1268	Screw—Hex Tap	9	15	736-0119	Washer Lock	4
5	712-0252	Nut Hex	1	16	736-0133	Washer Flat	1
6	712-0267	Nut—Hex	4	17	736-0225	Washer Internal Lock	1
7	714-0474	Pin—Cotter	1	18	736-0400	Washer Flat	3
8	715-0138	Pin Roll	1	19	741-0403	Bushing Hex	1
9	720-0201A	Knob—Chute Crank	1	20	741-0475	Bushing	1
10	725-0201	Key—Ignition	2	21	784-5178A	Bracket Chute Crank	1
11	725-1425	Switch—Key	1	22	784-5344	Crank Ass'y. Chute	1

**Model Nos.
317E152-000**



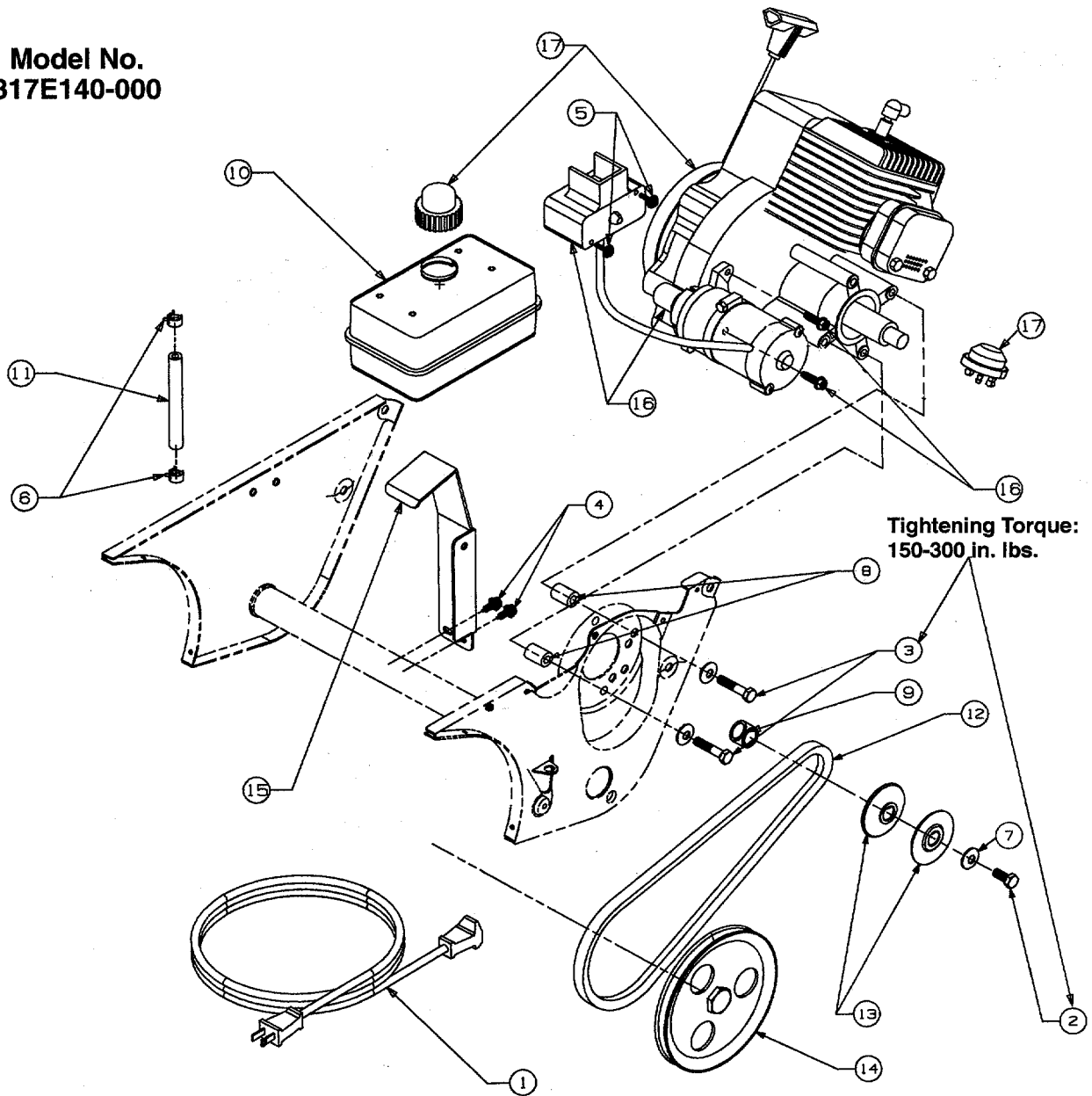
REF. NO.	PART NO.	DESCRIPTION	QTY.	REF. NO.	PART NO.	DESCRIPTION	QTY.
1	784-5572	Dash	1	16	726-0100	Cap—Push	1
2	710-0442	Screw—Hex Cap	4	17	731-1089	Cover—Choke	1
3	710-0653	Screw—Hex Washer	1	18	731-1133	Plug—Insert	1
4	710-1003	Screw—Hex	2	19	731-1765	Shroud—Black	1
5	710-1268	Screw—Hex	8	20	735-0234	Grommet—Rubber	1
6	712-0267	Nut—Hex	6	21	736-0119	Washer—Lock	4
7	714-0111	Pin—Cotter	1	22	736-0133	Washer—Flat	1
8	714-0474	Pin—Cotter	1	23	736-0225	Washer—Lock Internal	1
9	715-0138	Pin—Roll	2	24	736-0451	Washer—Saddle	1
10	720-0201A	Knob	1	25	741-0403	Bushing—Hex	1
11	725-0201	Key—Ignition	1	26	747-0697	Eyebolt—Chute Crank	1
12	725-1341B	Key—Ignition with Logo	1	27	747-0737	Crank—Chute Upper	1
13	725-1346	Nut—Ignition Switch	1	28	750-0785	Spacer	1
14	725-1347	Cover—Ignition Switch	1	29	784-5497	Crank—Chute Lower	1
15	725-1425	Switch—Key	1				

**Model No.
317-140-000**



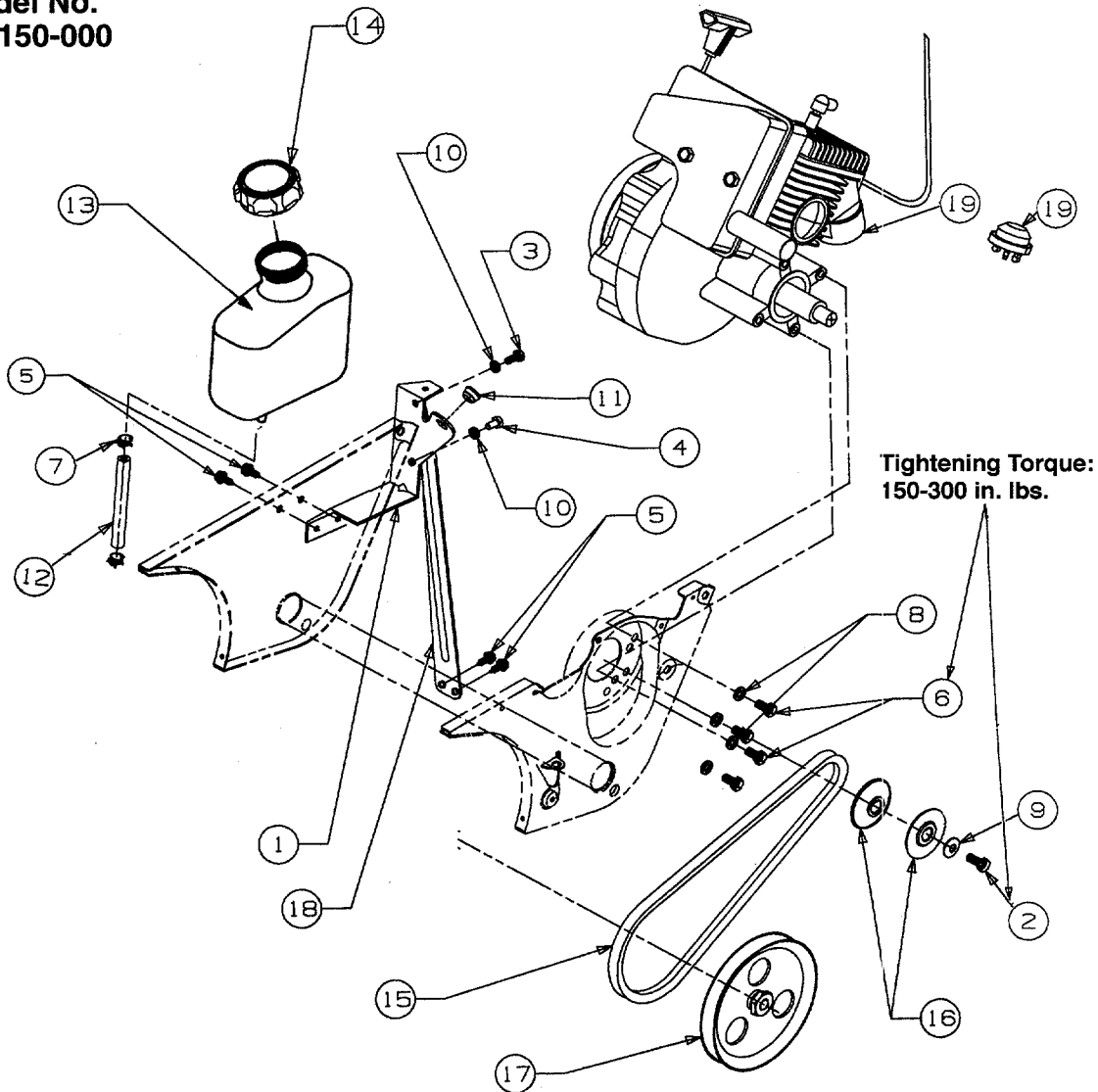
REF. NO.	PART NO.	DESCRIPTION	QTY.
1	710-0157	Screw—Hex Cap	1
2	710-0442	Screw—Hex Cap	4
3	710-0896	Screw—Washer	2
4	726-0205	Clamp—Hose	2
5	736-0242	Washer—Bell	5
6	750-0589	Spacer	4
7	750-0716	Spacer	1
8	751-0352	Tank—Fuel	1
9	751-0535-12	Hose—Fuel 12"	1
10	754-0367	V-Belt	1
11	756-0416B	V-Pulley Half	2
12	756-0550	Pulley	1
13	784-5177	Engine Support Bracket	1
14		Obtain from Engine Manufacturer	1

**Model No.
317E140-000**



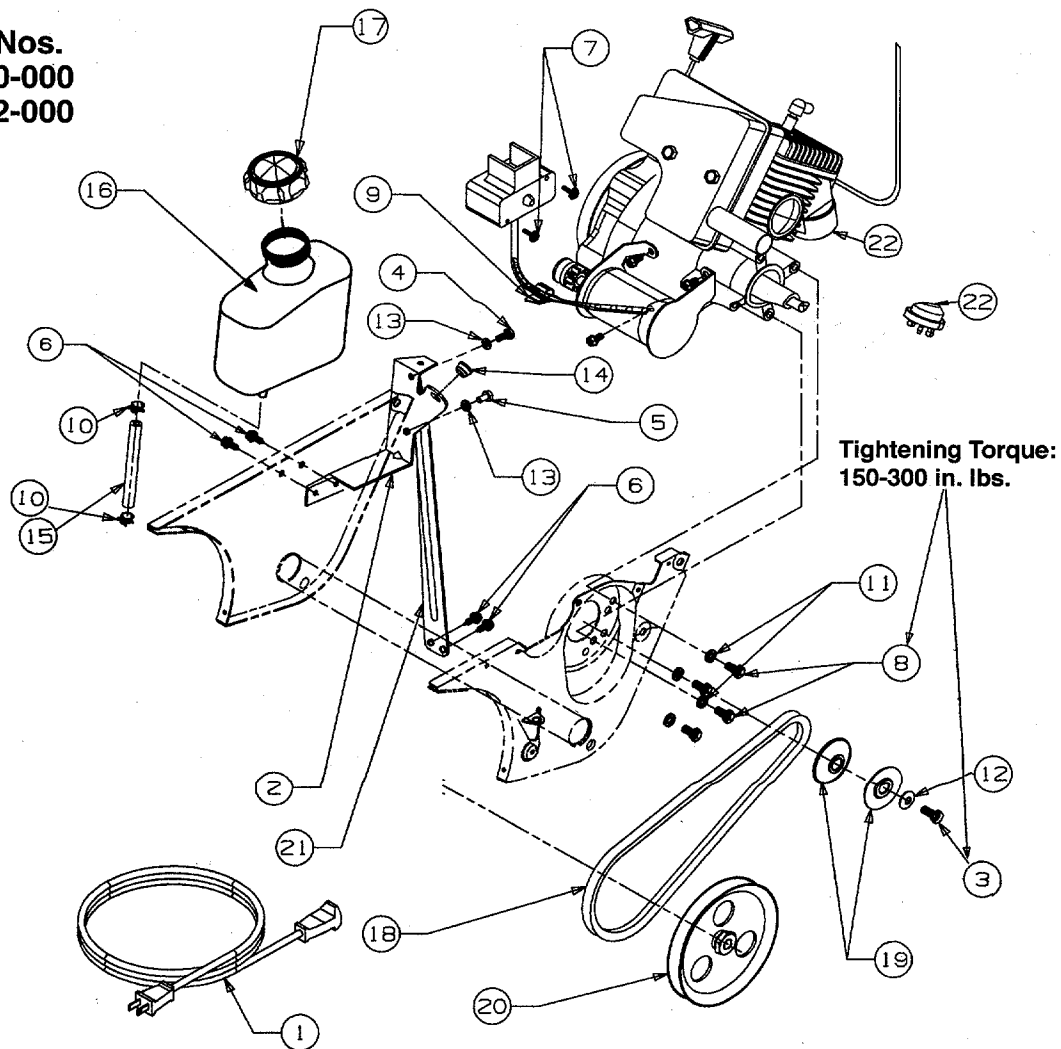
REF. NO.	PART NO.	DESCRIPTION	QTY.
1	629-0236	Cord—Extension 110V3M 2 Prong	1
2	710-0157	Screw—Hex Cap	1
3	710-0442	Screw—Hex Cap	4
4	710-0896	Screw—Washer	2
5	710-1003	Screw—Hex	2
6	726-0205	Hose Clamp	2
7	736-0242	Washer—Bell	5
8	750-0589	Spacer	4
9	750-0716	Spacer	1
10	751-0352	Tank—Fuel 1 Qt.	1
11	751-0535-12	Hose—Fuel 12"	12
12	754-0367	V-Belt	1
13	756-0416B	V-Pulley Half	2
14	756-0550	Pulley	1
15	784-5177	Engine Support Bracket	1
16	390-697-000	Electric Starter Kit	1
17		Obtain from Engine Manufacturer	1

**Model No.
317-150-000**



REF. NO.	PART NO.	DESCRIPTION	QTY.
1	705-5139	Bracket—Support Gas Tank	1
2	710-0157	Screw—Hex Cap	1
3	710-0258	Screw—Hex Cap	1
4	710-0289	Screw—Hex	1
5	710-0896	Screw—Washer	4
6	710-3025	Screw—Hex Cap	4
7	726-0205	Clamp—Hose	2
8	736-0119	Washer—Lock	4
9	736-0242	Washer—Bell	1
10	736-0329	Washer—Lock	2
11	741-0475	Bushing—Plastic	1
12	751-0535-16	Hose—Fuel Line 16"	1
13	751-0540	Tank—Fuel 2 Qt.	1
14	751-0603	Cap—Fuel	1
15	754-0101A	V-Belt	1
16	756-0416B	V-Pulley Half	2
17	756-0475	Pulley	1
18	784-5603	Brace—Fuel Tank	1
19		Obtain from Engine Manufacturer	1

Model Nos.
317E150-000
317E152-000



REF. NO.	PART NO.	DESCRIPTION	QTY.
1	629-0236	Cord—Extension 110V3M 2 Prong	1
2	705-5139	Bracket—Support Fuel Tank	1
3	710-0157	Screw—Hex Cap	1
4	710-0258	Screw—Hex Cap	1
5	710-0289	Screw—Hex	1
6	710-0896	Screw—Washer	4
7	710-1003	Screw—Hex	2
8	710-3025	Screw—Hex Cap	4
9	726-0152	Clamp—Mounting	1
10	726-0205	Clamp—Hose	2
11	736-0119	Washer—Lock	4
12	736-0242	Washer—Bell	1
13	736-0329	Washer—Lock	2
14	741-0475	Bushing—Plastic	1
15	751-0535-16	Hose—Fuel Line 16"	1
16	751-0540	Tank—Fuel 2 Qt.	1
17	751-0603	Cap—Fuel	1
18	754-0101A	V-Belt	1
19	756-0416B	V-Pulley Half	2
20	756-0475	Pulley	1
21	784-5603	Brace—Fuel Tank	1
22		Obtain from Engine Manufacturer	1

Free Manuals Download Website

<http://myh66.com>

<http://usermanuals.us>

<http://www.somanuals.com>

<http://www.4manuals.cc>

<http://www.manual-lib.com>

<http://www.404manual.com>

<http://www.luxmanual.com>

<http://aubethermostatmanual.com>

Golf course search by state

<http://golfingnear.com>

Email search by domain

<http://emailbydomain.com>

Auto manuals search

<http://auto.somanuals.com>

TV manuals search

<http://tv.somanuals.com>