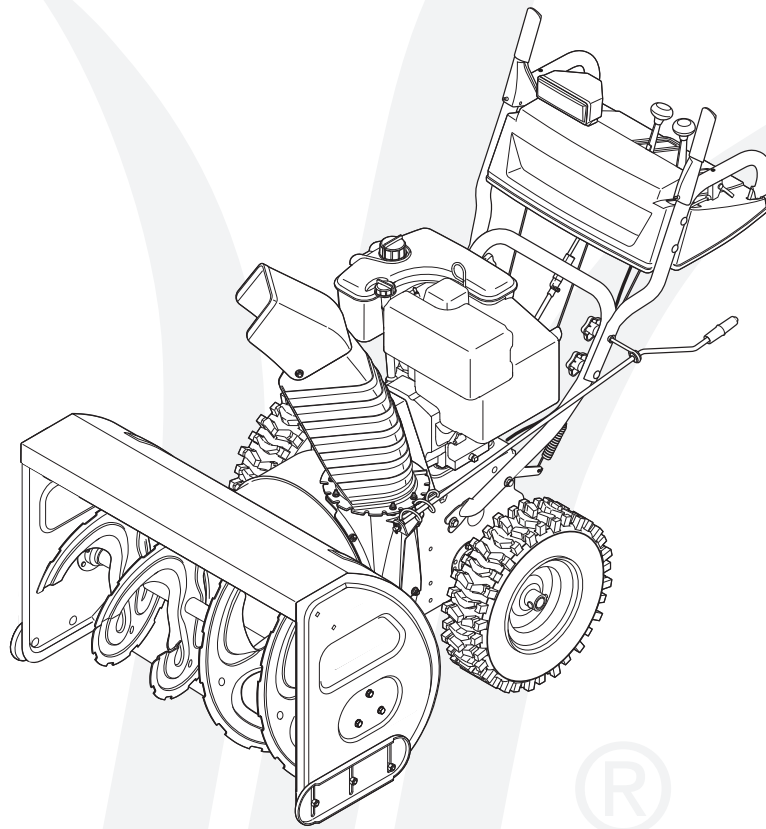


OPERATOR'S MANUAL



Two-Stage Snow Thrower

IMPORTANT:

**READ SAFETY RULES AND INSTRUCTIONS
CAREFULLY BEFORE OPERATING EQUIPMENT.**


This Operator's Manual is an important part of your new snow thrower. It will help you assemble, prepare and maintain the unit for best performance. Please read and understand what it says.

Table of Contents

| | | | |
|------------------------------------|----|-------------------------------------|----|
| Safety Labels | 3 | Maintaining Your Snow Thrower | 16 |
| Safe Operation Practices | 4 | Off-Season Storage | 20 |
| Setting Up Your Snow Thrower | 6 | Trouble Shooting | 21 |
| Operating Your Snow Thrower | 10 | Warranty | 22 |
| Making Adjustments | 14 | Illustrated Parts Lists | 24 |

Finding and Recording Model Number

BEFORE YOU START ASSEMBLING YOUR NEW EQUIPMENT, please locate the model plate on the equipment and copy the model number and the serial number to the sample model plate provided to the right. You can locate the model plate by standing at the operating position and looking down at the frame.

| | | |
|---|----------------------------------|---|
| Model Number Numéro de modèle | Serial Number Numéro de série | |
| XXXXXXXXXX | XXXXXXXXXX | |
|  www.mtdcanada.com | | MTD PRODUCTS LIMITED KITCHENER, ON N2G 4J1 1-800-668-1238 |

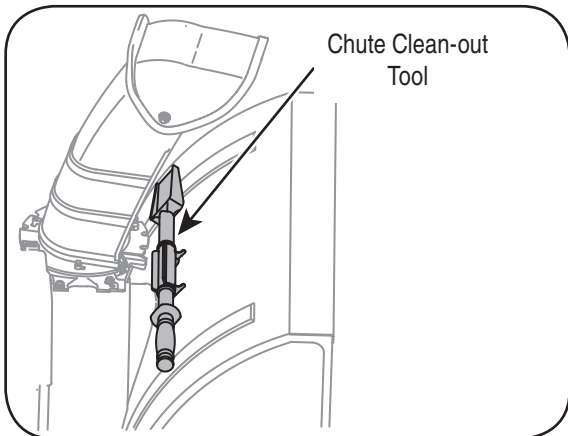
Customer Support

Please do **NOT** return the unit to the retailer from which it was purchased, without first contacting Customer Support.

If you have difficulty assembling this product or have any questions regarding the controls, operation or maintenance of this unit, you can seek help from the experts. Choose from the options below:

1. Visit www.mtdcanada.ca for many useful suggestions, click on Customer Support button.
2. Call a Customer Support Representative at **1-800-668-1238**.
3. The engine manufacturer is responsible for all engine-related issues in terms of performance, power-rating, specifications, warranty, and service. Depending on the engine manufacturer, more information is included in this publication or packed separately with this product.

Please have your unit's model number and serial number ready when you call. See previous section to locate this information. You will be asked to enter the serial number in order to process your call.



A **chute clean-out tool** is fastened to the top of the auger housing with a mounting clip. The tool is designed to clear a chute assembly of ice and snow.

This item is fastened with a cable tie at the factory. Cut the cable tie before operating the snow thrower.



WARNING: Never use your hands to clear a clogged chute assembly. Shut off engine and remain behind handles until all moving parts have stopped before using the clean-out tool to clear the chute assembly.

1

Safety Labels



WARNING

This symbol points out important safety instructions which, if not followed, could endanger the personal safety and/or property of yourself and others. Read and follow all instructions in this manual before attempting to operate this machine. Failure to comply with these instructions may result in personal injury. When you see this symbol, **HEED ITS WARNING!**

Your Responsibility

Restrict the use of this power machine to persons who read, understand and follow the warnings and instructions in this manual and on the machine.

2

Safe Operation Practices



WARNING

This symbol points out important safety instructions which, if not followed, could endanger the personal safety and/or property of yourself and others. Read and follow all instructions in this manual before attempting to operate this machine. Failure to comply with these instructions may result in personal injury. When you see this symbol, HEED

ITS WARNING!

Your Responsibility

Restrict the use of this power machine to persons who read, understand and follow the warnings and instructions in this manual and on the machine.



WARNING: Engine Exhaust, some of its constituents, and certain vehicle components contain or emit chemicals known to State of California to cause cancer and birth defects or other reproductive harm.

DANGER: This machine was built to be operated according to the safe operation practices in this manual. As with any type of power equipment, carelessness or error on the part of the operator can result in serious injury. This machine is capable of amputating hands and feet and throwing objects. Failure to observe the following safety instructions could result in serious injury or death.

Training

1. Read, understand, and follow all instructions on the machine and in the manual(s) before attempting to assemble and operate. Keep this manual in a safe place for future and regular reference and for ordering replacement parts.
2. Be familiar with all controls and their proper operation. Know how to stop the machine and disengage them quickly.
3. Never allow children under 14 years old to operate this machine. Children 14 years old and over should read and understand the instructions and safe operation practices in this manual and on the machine and be trained and supervised by an adult.
4. Never allow adults to operate this machine without proper instruction.
5. Thrown objects can cause serious personal injury. Plan your snow-throwing pattern to avoid discharge of material toward roads, bystanders and the like.
6. Keep bystanders, helpers, pets and children at least 75 feet from the machine while it is in operation. Stop machine if anyone enters the area.
7. Exercise caution to avoid slipping or falling, especially when operating in reverse.

Preparation

1. Thoroughly inspect the area where the equipment is to be used. Remove all doormats, newspapers, sleds, boards, wires and other foreign objects, which could be tripped over or thrown by the auger/impeller.
2. Always wear safety glasses or eye shields during operation and while performing an adjustment or repair to protect your eyes. Thrown objects which ricochet can cause serious injury to the eyes.
3. Do not operate without wearing adequate winter outer garments. Do not wear jewelry, long scarves or other loose clothing, which could become entangled in moving parts. Wear footwear which will improve footing on slippery surfaces.
4. Use a grounded three-wire extension cord and receptacle for all units with electric start engines.
5. Adjust collector housing height to clear gravel or crushed rock surfaces.
6. Disengage all control levers before starting the engine.
7. Never attempt to make any adjustments while engine is running, except where specifically recommended in the operator's manual.
8. Let engine and machine adjust to outdoor temperature before starting to clear snow.

Safe Handling of Gasoline

To avoid personal injury or property damage use extreme care in handling gasoline. Gasoline is extremely flammable and the vapors are explosive. Serious personal injury can occur when gasoline is spilled on yourself or your clothes, which can ignite. Wash your skin and change clothes immediately.

- a. Use only an approved gasoline container.
- b. Extinguish all cigarettes, cigars, pipes and other sources of ignition.
- c. Never fuel machine indoors.
- d. Never remove gas cap or add fuel while the engine is hot or running.
- e. Allow engine to cool at least two minutes before refueling.
- f. Never over fill fuel tank. Fill tank to no more than ½ inch below bottom of filler neck to provide space for fuel expansion.
- g. Replace gasoline cap and tighten securely.
- h. If gasoline is spilled, wipe it off the engine and equipment. Move machine to another area. Wait 5 minutes before starting the engine.
- i. Never store the machine or fuel container inside where there is an open flame, spark or pilot light (e.g. furnace, water heater, space heater, clothes dryer etc.).
- j. Allow machine to cool at least 5 minutes before storing.

Operation

1. Do not put hands or feet near rotating parts, in the auger/impeller housing or chute assembly. Contact with the rotating parts can amputate hands and feet.
2. The auger/impeller control lever is a safety device. Never bypass its operation. Doing so makes the machine unsafe and may cause personal injury.
3. The control levers must operate easily in both directions and automatically return to the disengaged position when released.
4. Never operate with a missing or damaged chute assembly. Keep all safety devices in place and working.
5. Never run an engine indoors or in a poorly ventilated area. Engine exhaust contains carbon monoxide, an odorless and deadly gas.
6. Do not operate machine while under the influence of alcohol or drugs.
7. Muffler and engine become hot and can cause a burn. Do not touch.
8. Exercise extreme caution when operating on or crossing gravel surfaces. Stay alert for hidden hazards or traffic.
9. Exercise caution when changing direction and while operating on slopes.
10. Plan your snow-throwing pattern to avoid discharge towards windows, walls, cars etc. Thus, avoiding possible property damage or personal injury caused by a ricochet.
11. Never direct discharge at children, bystanders and pets or allow anyone in front of the machine.
12. Do not overload machine capacity by attempting to clear snow at too fast of a rate.
13. Never operate this machine without good visibility or light. Always be sure of your footing and keep a firm hold on the handles. Walk, never run.
14. Disengage power to the auger/impeller when transporting or not in use.
15. Never operate machine at high transport speeds on slippery surfaces. Look down and behind and use care when backing up.
16. If the machine should start to vibrate abnormally, stop the engine, disconnect the spark plug wire and ground it against the engine. Inspect thoroughly for damage. Repair any damage before starting and operating.
17. Disengage all control levers and stop engine before you leave the operating position (behind the handles). Wait until the auger/impeller comes to a complete stop before unclogging the chute assembly, making any adjustments, or inspections.
18. Never put your hand in the discharge or collector openings. Always use the clean-out tool provided to unclog the discharge opening. Do not unclog chute assembly while engine is running. Shut off engine and remain behind handles until all moving parts have stopped before unclogging.
19. Use only attachments and accessories approved by the manufacturer (e.g. wheel weights, tire chains, cabs etc.).
20. If situations occur which are not covered in this manual, use care and good judgment. Call customer assistance for the name of your nearest servicing dealer.

Maintenance & Storage

1. Never tamper with safety devices. Check their proper operation regularly. Refer to the maintenance and adjustment sections of this manual.
2. Before cleaning, repairing, or inspecting machine disengage all control levers and stop the engine. Wait until the auger/impeller come to a complete stop. Disconnect the spark plug wire and ground against the engine to prevent unintended starting.
3. Check bolts and screws for proper tightness at frequent intervals to keep the machine in safe working condition. Also, visually inspect machine for any damage.
4. Do not change the engine governor setting or over-speed the engine. The governor controls the maximum safe operating speed of the engine.
5. Snow thrower shave plates and skid shoes are subject to wear and damage. For your safety protection, frequently check all components and replace with original equipment manufacturer's (OEM) parts only. "Use of parts which do not meet the original equipment specifications may lead to improper performance and compromise safety!"
6. Check controls periodically to verify they engage and disengage properly and adjust, if necessary. Refer to the adjustment section in this operator's manual for instructions.
7. Maintain or replace safety and instruction labels, as necessary.
8. Observe proper disposal laws and regulations for gas, oil, etc. to protect the environment.
9. Prior to storing, run machine a few minutes to clear snow from machine and prevent freeze up of auger/impeller.
10. Never store the machine or fuel container inside where there is an open flame, spark or pilot light such as a water heater, furnace, clothes dryer etc.
11. Always refer to the operator's manual for proper instructions on off-season storage.

Do not modify engine

To avoid serious injury or death, do not modify engine in any way. Tampering with the governor setting can lead to a runaway engine and cause it to operate at unsafe speeds. Never tamper with factory setting of engine governor.

Notice regarding Emissions

Engines which are certified to comply with California and federal EPA emission regulations for SORE (Small Off Road Equipment) are certified to operate on regular unleaded gasoline, and may include the following emission control systems: Engine Modification (EM) and Three Way Catalyst (TWC) if so equipped.

Average Useful Life

According to the Consumer Products Safety Commission (CPSC) and the U.S. Environmental Protection Agency (EPA), this product has an *Average Useful Life* of seven (7) years, or 60 hours of operation. At the end of the *Average Useful Life*, buy a new machine or have the machine inspected annually by an authorized service dealer to ensure that all mechanical and safety systems are working properly and not worn excessively. Failure to do so can result in accidents, injuries or death.

2

Safe Operation Practices



WARNING

This symbol points out important safety instructions, which if not followed, could endanger the personal safety and/or property of yourself and others. Read and follow all instructions in this manual before attempting to operate this machine. Failure to comply with these instructions may result in personal injury. When you see this symbol, HEED IT'S WARNING!

Your Responsibility
Restrict the use of this power machine to persons who read, understand and follow the warnings and instructions in this manual and on the machine.

3

Setting Up Your Snow Thrower



NOTE: This Operator's Manual covers several models. Snowthrower features vary by model. Not all features referenced in this manual are applicable to all snowthrower models.

NOTE: References to right or left side of the snow thrower are determined from behind the unit in the operating position.

NOTE: Replacement auger shear pins and cotter pins are provided for your convenience. Store these safely until needed.

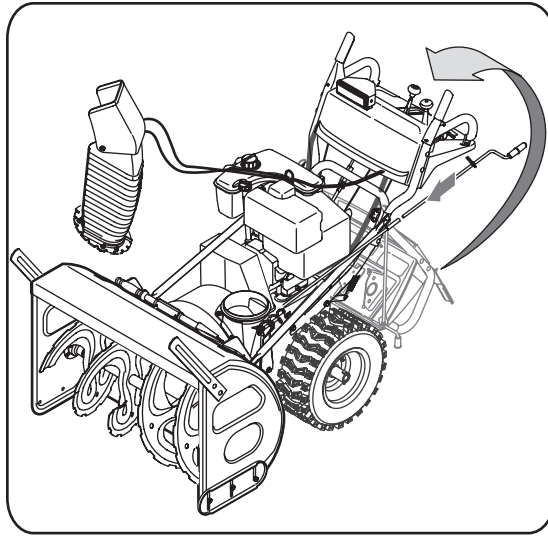


Figure 1

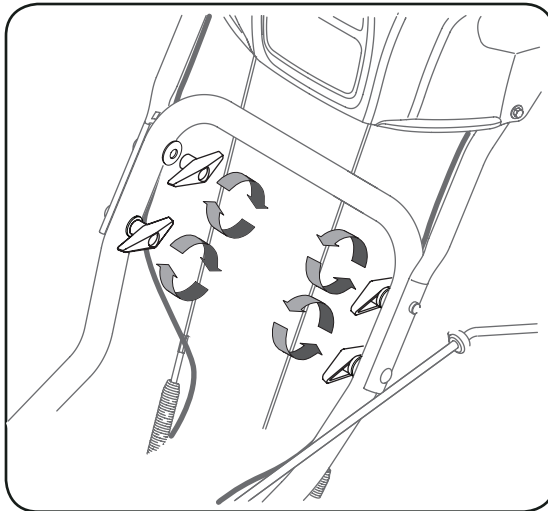


Figure 2

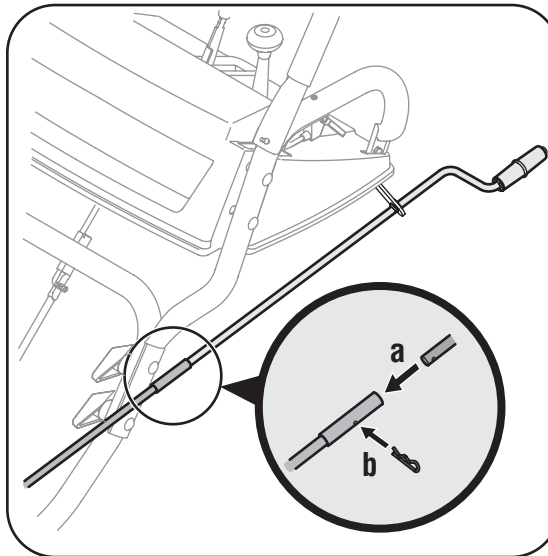


Figure 3

IMPORTANT: The snow thrower is shipped with oil and **WITHOUT GASOLINE**. After assembly, refer to separate engine manual for proper fuel and engine oil recommendations.

Loose Parts

- The augers are secured to the auger shaft with shear pins and bow tie cotter pins. If you hit a foreign object or ice jam, the snow thrower is designed so that the pins may shear. Replacement shear pins and cotter pins are provided for your convenience. Store these safely until needed.

Items Required For Assembly

Pair of pliers 7/16" Wrenches or adjustables
Fresh gasoline

Before Assembly

- Disconnect the spark plug wire and ground it against the engine to prevent unintended starting.
- Reference to the right hand or left hand side of machine are observed from the operating position.

Assembling Handle

- Look at the lower rear of the snow thrower frame to be sure the spring (found at the end of each cable) is attached to its actuator bracket.
- Remove the lower handle knobs, washers and carriage bolts from each side of the lower handle. See Figure 2.
- Raise the upper handle assembly until it locks over the lower handle. See Figure 1.
- Secure the upper handle and lower handle with the handle knobs and carriage bolts previously removed.
- Tighten the handle knobs already in place on the upper holes and secure the handles firmly.

Attaching Chute Crank

- Remove the hairpin clip from the upper chute crank and slide the upper chute crank into the lower chute crank. A pair of pliers may help in this job. See Figure 3.
 - a. Align the two holes on both chute cranks. See Figure 3.
 - b. Secure with the hairpin clip removed earlier.

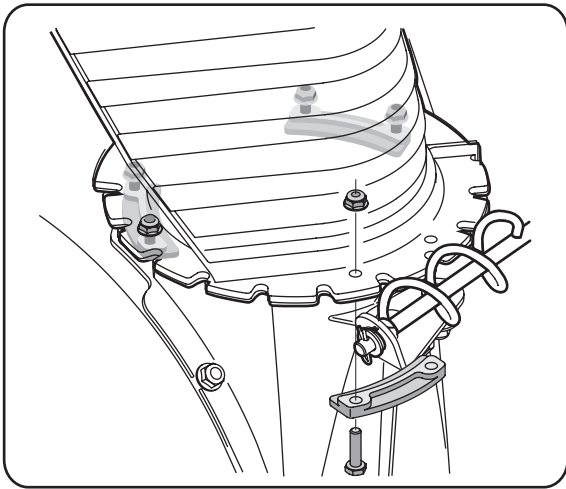


Figure 4

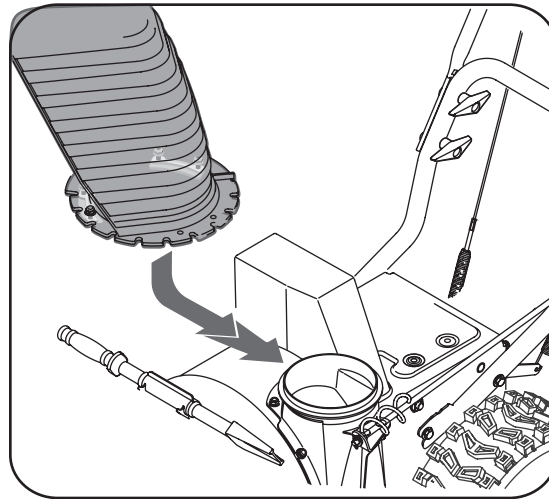


Figure 5

Attaching the Chute Assembly

- Remove locknuts and screws securing one of the flange keepers to the chute assembly. See Figure 4.
- Loosen but do not remove the locknuts and screws on the other two flange keepers.
- Slide chute assembly over chute opening, making sure the flange keepers are beneath lip of chute adapter. The notches should engage with the spiral end of the chute crank. See Figure 5.
- Secure flange keeper, locknuts and screws previously removed. Tighten all flange keepers and hardware with two 7/16" wrenches. Do not over tighten.

NOTE: If necessary the chute crank support bracket can be adjusted so the spiral on the chute crank fully engages the teeth on the chute assembly. Refer to the Adjustment Section.

Attaching the Shift Rod

- Align the upper and lower shift rods, then slide the shift rod connector down over the end of the lower shift rod. Tap the connector until the lower rod is completely through the connector. See Figure 6.

NOTE: If the connector is not properly assembled, the shift rod will pivot and you will not be able to change speeds or direction.

NOTE: If the full range of speeds (forward and reverse) cannot be achieved, refer to the Adjustment Section.

- Normally the cable ties holding the steering cables against the handle are loosely installed on each side of the lower handle at the factory. Pull the cable ties tight to secure. Cut the excess from the ends of cable ties.
- If not already attached, slip the cables that run from the handle panel to the discharge chute into the cable guide located on top of the engine. See Figure 7.
- Wrap the wire from the head lamp down the right handle until the wire can be plugged into the alternator lead wire under the fuel tank. See Figure 8.

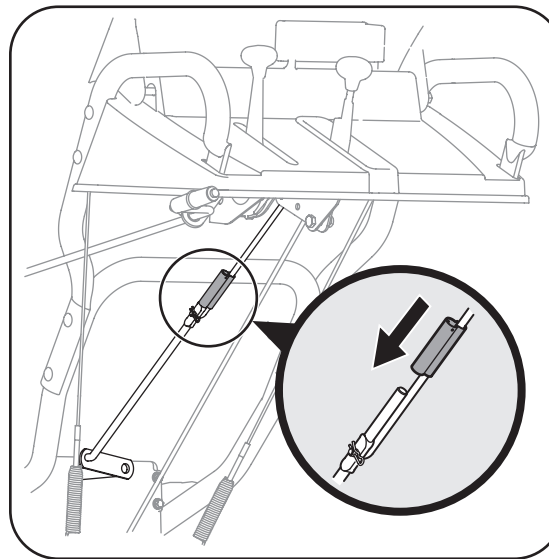


Figure 6

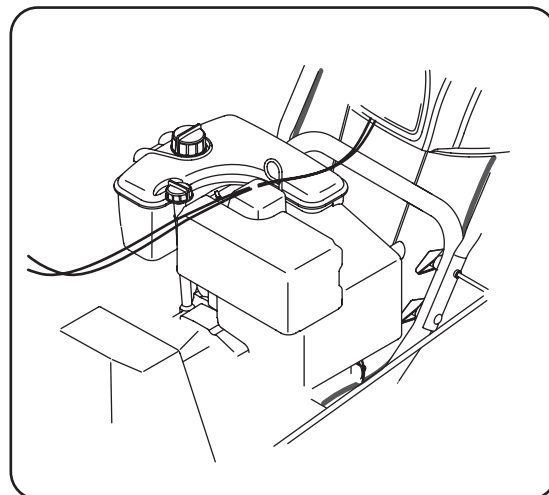


Figure 7

3

Setting Up Your Snow Thrower



WARNING

Prior to operating your snow thrower, refer to Auger Control on page 9. Read and follow all instructions carefully and perform all adjustments to verify your unit is operating safely and properly.

3

Setting Up Your Snow Thrower



WARNING

Never use your hands to clean snow and ice from the chute assembly or auger housing.



IMPORTANT

Under any circumstance do not exceed manufacturer's recommended psi. Equal tire pressure should be maintained at all times. Excessive pressure when seating beads may cause tire/rim assembly to burst with force sufficient to cause serious injury. Refer to sidewall of tire for recommended pressure.

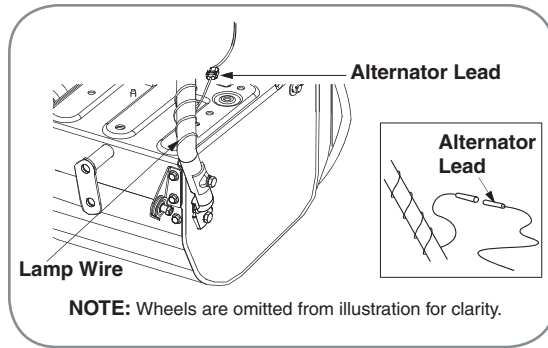


Figure 8

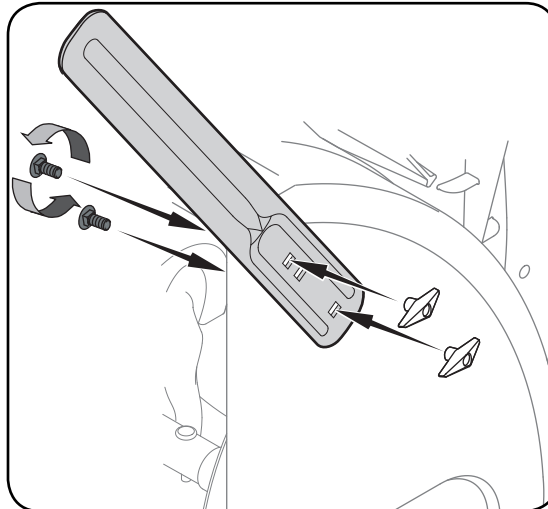


Figure 9

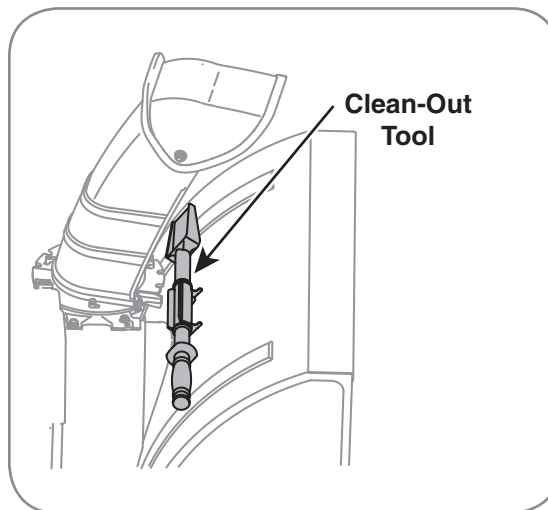


Figure 10

Drift Cutters (If Equipped)

Drift cutters should be used when operating the snow thrower in heavy drift conditions.

- On models so equipped, drift cutters and hardware are assembled to the auger housing inverted.
- Remove the carriage bolts and wingnuts securing the drift cutters to the housing.
- Reposition drift cutters so they face forward as shown in Figure 9. Secure with hardware previously removed, wingnuts should be fastened on the **outside** of the housing as shown.

If your unit is **not** equipped with drift cutters, you may contact Customer Support as instructed on page 2 for information regarding price and availability.

| Snowthrower Model | Drift Cutter Kit: |
|-------------------|-------------------|
| All models | OEM-390-679 |

Clean-Out Tool

The clean-out tool is mounted to the rear of the auger housing and is designed to clear a clogged chute. See Figure 10. Refer to the Operation section for more detailed information regarding the chute clean-out tool.

NOTE: This item is fastened with a cable tie to the rear of the auger housing at the factory. Cut the cable tie before operating the snow thrower.



WARNING: Never use your hands to clean snow and ice from the chute assembly or auger housing.

Final Adjustments

Make these final adjustments before operating your snow thrower for the first time. Failure to follow these instructions may cause damage to the snow thrower.

Wheel Drive Control & Shift Lever

Perform the following test to determine need for adjustment:

- Move the shift lever into sixth (6) position. See Figure 14.
- With the drive control released (see Figure 11A), push the snow thrower forward, then pull it back. The machine should move freely.
- Engage the drive control and attempt to move the machine both forward and back, resistance should be felt.
- Move the shift lever into the fast reverse (R2) position and repeat the previous two steps.

If you experienced resistance rolling the unit, either when repositioning the shift lever from 6 to R2 or when attempting to move the machine with the drive control released, adjust the drive control immediately. To adjust, proceed as follows:

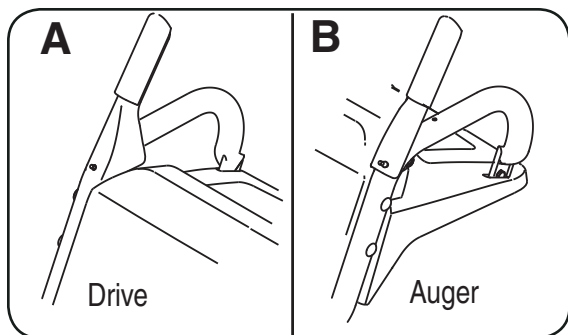


Figure 11

- Loosen the nylock nut on the drive control cable and unthread the cable one full turn. See Figure 13.
- Recheck adjustment.
- Retighten the nylock nut to secure the cable when correct adjustment is reached.

NOTE: For more details, refer to Drive Control Adjustment in the Adjustment Section of this manual.

Auger Control

Check the adjustment of the auger control as follows:

- When the auger control is released and in the disengaged “up” position (see Figure 11B), the cable should have very little slack, but should NOT be tight. See Figure 12.



WARNING: Do not over-tighten the cable. Over-tightening may prevent the auger from disengaging and compromise the safety of the snow thrower.

- In a well-ventilated area, start the snow thrower engine as instructed on page 12. Make sure the throttle is set in the fast position.
- While standing in the operator’s position (behind the snow thrower) engage the auger.
- Allow the auger to remain engaged for approximately ten seconds before releasing the auger control. Repeat this several times.
- With the engine running in the fast position and the auger control lever in the disengaged “up” position, walk to the front of the machine.
- Confirm that the auger has completely stopped rotating and shows no signs of motion.

IMPORTANT: If the auger shows any signs of rotating, immediately return to the operator’s position and shut off the engine. Wait for all moving parts to stop before readjusting the auger control cable.

- To readjust the control cable, unhook the spring (found on the end of the auger cable) from the auger actuator bracket. See Figure 12.
- Push the cable coupler through the end of the spring to expose the lock nut. See Figure 13.

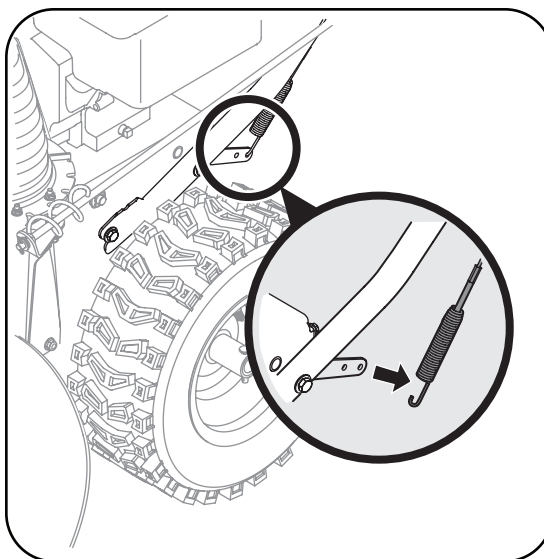


Figure 12

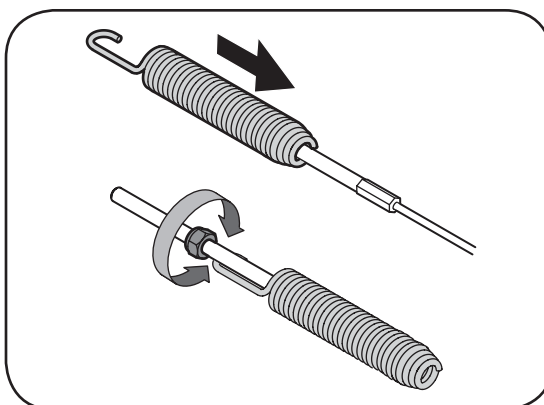


Figure 13

- Thread the nylock nut outward (down the coupler) three full turns to provide more slack in the cable and reattach the spring to the bracket.
- Repeat auger control test to verify for proper adjustment. Repeat previous steps to adjust more, if necessary.

Skid Shoes

Position the skid shoes based on surface conditions. Adjust upward for hard-packed snow. Adjust downward when operating on gravel or crushed rock surfaces. See “Making Adjustment” Section.

Tire Pressure (Pneumatic Tires)

The tires are over-inflated for shipping purposes. Check the tire pressure before operating the snow thrower. Refer to the tire side wall for tire manufacturer’s recommended psi and deflate (or inflate) the tires as necessary.

3

Setting Up Your Snow Thrower



WARNING

Never use your hands to clean snow and ice from the chute assembly or auger housing.



IMPORTANT

If the tire pressure is not equal in both tires, the unit may not travel in a straight path and the shave plate may wear unevenly.

4

Operating Your Snow Thrower



WARNING

Read, understand, and follow all instructions and warnings on the machine and in this manual before operating.

Use extreme care when handling gasoline. Gasoline is extremely flammable and the vapors are explosive. **Never fuel the machine indoors or while the engine is hot or running. Extinguish cigarettes, cigars, pipes and other sources of ignition.**

Know Your Snow Thrower

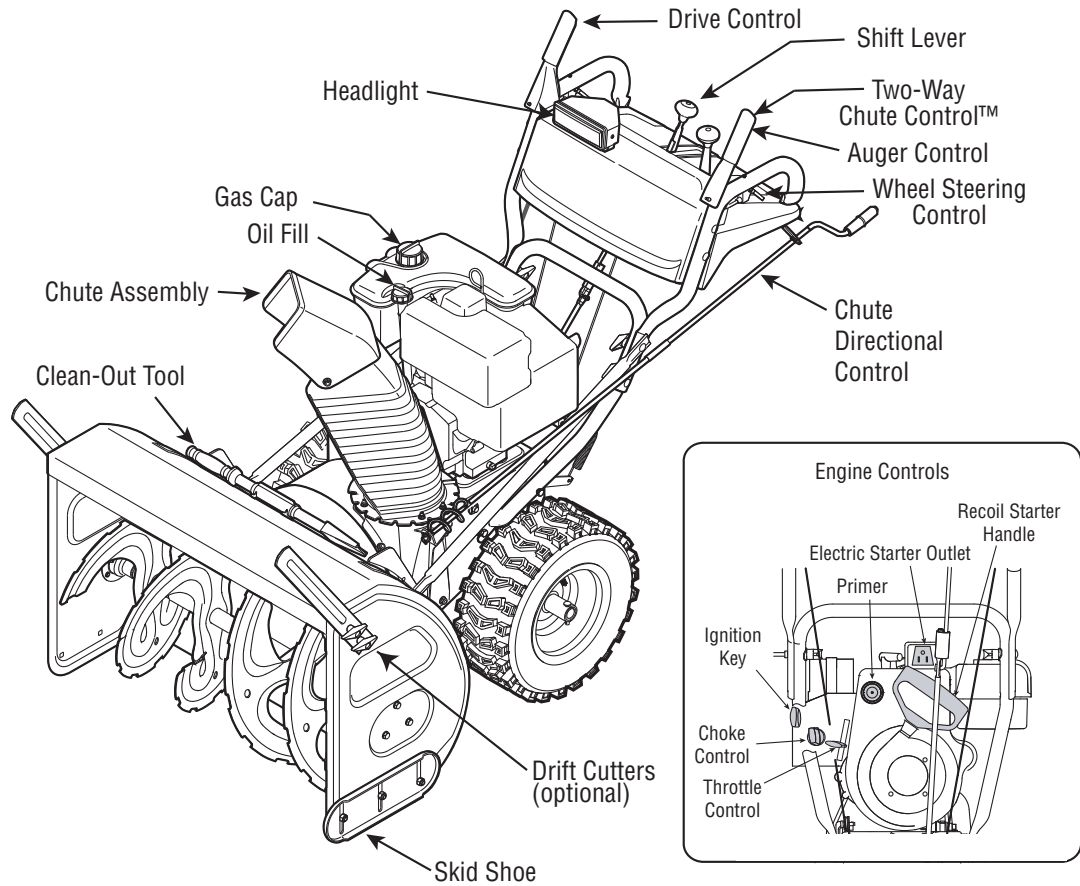


Figure 14

Now that you have set up your snow thrower for operation, get acquainted with its controls and features. These are described below and illustrated on this page. This knowledge will allow you to use your new equipment to its fullest potential.

NOTE: For detailed starting instructions and more information on all engine controls, refer to the separate engine manual packed with your unit.

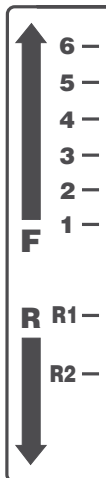
Shift Lever

The shift lever is located in the center of the handle panel and is used to determine ground speed and direction of travel. It can be moved into any of eight positions.

IMPORTANT: Always release drive control before changing speeds.

Forward: The snow thrower has six forward (F) speeds. Position one (1) is the slowest and position six (6) is the fastest.

Reverse: The snow thrower has two reverse (R) speeds—R1 is the slower of the two.



Choke Control



The choke control is found on the rear of the engine and is activated by rotating the knob clockwise. Activating the choke control closes the choke plate on the carburetor and aids in starting the engine.

Throttle Control

The throttle control is located on the engine. It regulates the speed of the engine and will shut off the engine when pushed down completely.

Primer

Depressing the primer forces fuel directly into the engine's carburetor to aid in cold-weather starting.

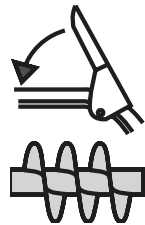
Oil Fill

Engine oil level can be checked and oil added through the oil fill.



Auger Control

The auger control is located on the left handle. Squeeze the auger control to engage the augers. Release to stop the snow throwing action. The drive control must also be released in order to stop auger.



Drive Control / Auger Control Lock

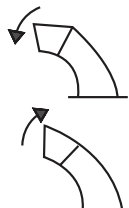
The drive control is located on the right handle. Squeeze the drive control to engage the wheel drive. Release to stop.

This same lever also locks the auger control so you can operate the chute crank without interrupting the snow throwing process. If the auger control is engaged simultaneously with the drive control, the operator can release the auger control (on the left handle) and the augers will remain engaged. Release the drive control to stop the augers and wheel drive (the auger control must also be released).

IMPORTANT: Always release the drive control before changing speeds.

Two-Way Chute Control™

This two-way control lever is meant to control the distance of snow discharge from the chute. Tilt the lever forward or rearward to adjust the distance snow will be thrown.



Chute Directional Control

The chute directional control is located on left side of the snow thrower.

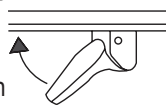
To change the direction in which snow is thrown, turn chute directional control as follows:

- Crank clockwise to discharge to the left.
- Crank counterclockwise to discharge to the right.



Wheel Steering Controls

The left and right wheel steering controls are located on the underside of the handles. Squeeze the right control to turn right; squeeze the left control to turn left.



NOTE: Operate the snow thrower in open areas until you are familiar with these controls.

Ignition Key

The ignition key must be inserted and snapped in place in order for the engine to start. Remove the ignition key to prevent unauthorized use of equipment. Do NOT attempt to turn the key.

Chute Clean-Out Tool



WARNING: Never use your hands to clear a clogged chute assembly. Shut off engine and remain behind handles until all moving parts have stopped before unclogging.

The clean-out tool is conveniently fastened to the rear of the auger housing with a mounting clip.

1. Release both the auger control and the drive/auger control lock.
2. Stop the engine by moving the throttle to the stop position.
3. Remove the clean-out tool from the mounting clip.
4. Use the shovel-shaped end of the clean-out tool to remove any snow and ice in the chute assembly.
5. Re-fasten the clean-out tool to the mounting clip on the rear of the auger housing and restart engine.
6. While standing in the operator's position (behind the snow thrower), engage the auger control for a few seconds to clear any remaining snow or ice from the chute assembly before continuing to clear snow.

Skid Shoes

Position the skid shoes based on surface conditions. Adjust upward for hard-packed snow. Adjust downward when operating on gravel or crushed rock surfaces. See "Making Adjustment" Section.

Headlight

The headlight is on whenever the engine is running.

4

Operating Your Snow Thrower



WARNING

The operation of any snow thrower can result in foreign objects being thrown into the eyes, which can damage your eyes severely. Always wear safety glasses while operating the snow thrower, or while performing any adjustments or repairs on it.

Be sure no one other than the operator is standing near the snow thrower while starting engine or operating snow thrower. Never run engine indoors or in enclosed, poorly ventilated areas. Engine exhaust contains carbon monoxide, an odorless and deadly gas. Keep hands, feet, hair and loose clothing away from any moving parts on engine and snow thrower.

4

Operating Your Snow Thrower



WARNING

Read, understand, and follow all instructions and warnings on the machine and in this manual before operating.

Use extreme care when handling gasoline. Gasoline is extremely flammable and the vapors are explosive. *Never* fuel the machine indoors or while the engine is hot or running. Extinguish cigarettes, cigars, pipes and other sources of ignition.

Gas & Oil Fill-Up

Service the engine with gasoline and oil as instructed in the separate engine manual packed separately with your snow thrower. Read instructions carefully.

Starting The Engine

1. Attach spark plug wire to spark plug. Make certain the metal loop on the end of the spark plug wire (inside the rubber boot) is fastened securely over the metal tip on the spark plug.
2. Make certain both the auger control and drive control are in the disengaged (released) position.
3. Move throttle control up to FAST position. Insert ignition key into slot. Make sure it snaps into place. Do not attempt to turn the key.

NOTE: The engine cannot start unless the key is inserted into ignition switch.

Electric Starter (on certain models)

1. Determine that your home's wiring is a three-wire grounded system. Ask a licensed electrician if you are not certain.



WARNING: The optional electric starter is equipped with a grounded three-wire power cord and plug, and is designed to operate on 120 volt AC household current. It must be used with a properly grounded three-prong receptacle at all times to avoid the possibility of electric shock. Follow all instructions carefully prior to operating the electric starter.

If your home's wiring system is not a three-wire grounded system, do not use this electric starter under any conditions.

If your home electrical system is grounded, but a three-hole receptacle is not available, one should be installed by a licensed electrician before using the electric starter.

If you have a grounded three-prong receptacle, proceed as follows:

1. Plug the extension cord into the outlet located on the engine's surface. Plug the other end of extension cord into a three-prong 120-volt, grounded, AC outlet in a well-ventilated area.
2. Rotate choke control to FULL choke position (for a cold engine start).

NOTE: If the engine is already warm, place choke control in the OFF position instead of FULL.

3. Push the primer two or three times for cold engine start, making sure to cover vent hole in the center of the primer when pushing.

NOTE: DO NOT use primer to restart a warm engine after a short shutdown.

4. Push starter button to start engine.

5. Once the engine starts, immediately release starter button.
6. As the engine warms, slowly rotate the choke control to the OFF position. If the engine falters, quickly rotate the choke control back to FULL and then slowly into the OFF position again.
7. When disconnecting the extension cord, always unplug the end at the three-prong wall outlet before unplugging the opposite end from the snow thrower.

Recoil Starter

1. Rotate choke control to FULL choke position (cold engine start).

NOTE: If the engine is already warm, place choke control in the OFF position instead of FULL.

2. Push the primer two or three times for cold engine start, making sure to cover vent hole in the center of the primer when pushing.

NOTE: DO NOT use primer to restart a warm engine after a short shutdown.

NOTE: Additional priming may be necessary if the temperature is below 15° F. (-9° C).

3. Grasp the recoil starter handle and slowly pull the rope out. At the point where it becomes slightly harder to pull the rope, slowly allow the rope to recoil.
4. Pull the starter handle with a firm, rapid stroke. Do not release the handle and allow it to snap back. Keep a firm hold on the starter handle and allow it to slowly recoil.
5. As the engine warms, slowly rotate the choke control to the OFF position. If the engine falters, quickly rotate the choke control back to the FULL position and then slowly into the OFF position again.

NOTE: Allow the engine to warm up for a few minutes after starting. The engine will not develop full power until it reaches operating temperatures.

Stopping The Engine

Run engine for a few minutes before stopping to help dry off any moisture on the engine.

- Move throttle control to STOP position.
- Remove the ignition key (Do not turn key) to prevent unauthorized use of equipment.

NOTE: Keep the key in a safe place. The engine cannot start without the ignition key.

- Wipe all snow and moisture from the area around the engine as well as the area in and around the drive control and auger control. Also, engage and release both controls several times.

To Engage Drive

1. With the engine running near top speed, move shift lever to one of six FORWARD positions or two REVERSE positions. Select a speed appropriate for the snow conditions that exist.
2. Squeeze drive control against the right handle and the snow thrower will move. Release it and the drive motion will stop.

To Engage Augers

1. To engage augers and start snow throwing, squeeze the left hand auger control against the left handle. Release to stop augers.
2. While the auger control is engaged, squeeze the drive control to move, release to stop. Do not shift speeds while the drive is engaged.

NOTE: This same lever also locks auger control so you can turn the chute control without interrupting the snow throwing process.

3. Release the auger control; the interlock mechanism should keep the auger control engaged until the drive control is released.
4. Release the drive control to stop both the augers and the wheel drive. To stop the auger, both levers must be released.

Operating Tips

NOTE: Allow the engine to warm up for a few minutes. The engine will not develop full power until it reaches operating temperature.



WARNING: The temperature of the muffler and the surrounding areas may exceed 150° F (65° C). Avoid these areas.

1. If possible, remove snow immediately after it falls.
2. Discharge snow downwind whenever possible.
3. Slightly overlap each previous path.
4. Set the skid shoes 1/4" below the shave plate for normal usage. Adjust them upward for hard-packed snow and downward when using on gravel or crushed rock.

General Recommendations

1. Always observe safety rules when performing any maintenance.
2. The warranty on this snow thrower does not cover items that have been subjected to operator abuse or negligence. To receive full value from warranty, operator must maintain the snow thrower as instructed here.
3. Some adjustments will have to be made periodically to maintain your unit properly.
4. Periodically check all fasteners and make sure these are tight.

4

Operating Your Snow Thrower



WARNING

The muffler, engine and surrounding areas become hot and can cause a burn 150°F (65°C). Do not touch.



NOTE: Use slower speeds in higher snow and/or until you are familiar with the snow thrower opera-

IMPORTANT

NEVER move the shift lever without first releasing the wheel drive control. Doing so will cause premature wear on the drive system's friction wheel.

5

Making Adjustments



WARNING

Read, understand, and follow all instructions and warnings on the machine and in this manual before operating.

Never attempt to make any adjustments while the engine is running, except where specified in operator's manual.

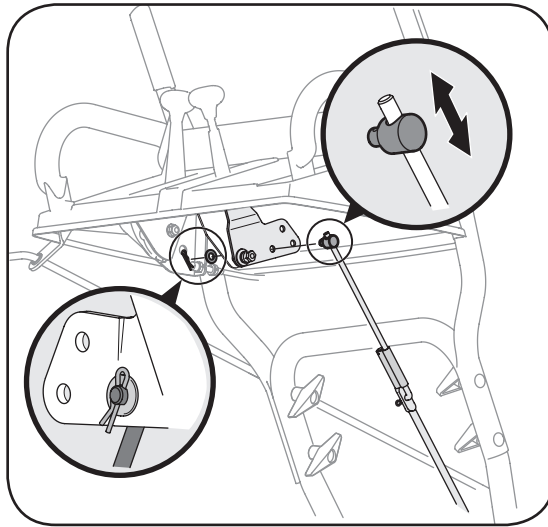


Figure 15

Shift Rod

If the full range of speeds (forward and reverse) cannot be achieved, refer to Figure 15 and adjust the shift rod as follows:

1. Looking underneath the handle panel, note which of the three holes in the shift lever the ferrule is inserted into. Also note the direction of insertion. Then remove the internal cotter pin and flat washer from the ferrule and withdraw the ferrule from the shift lever. See Figure 15.
2. Place shift lever in sixth (6) position or fastest forward speed.
3. Push shift rod and shift arm assembly down sharply, as far as it will go to put the drive into the fastest forward position.
4. As necessary, rotate the ferrule up or down the shift rod until the ferrule lines up with the hole from which it was earlier removed. See Figure 15.
5. From the direction noted earlier, insert the ferrule into the proper hole.
6. Reinstall the washer and the internal cotter pin.

Drive Control

Refer to the Final Adjustment section of the Set-Up instructions to adjust the drive control. To further check the adjustment, proceed as follows:

1. Drain the gasoline out of your snow thrower's engine, and place a piece of plastic film under the gas cap to avoid spillage.
2. Tip the snow thrower forward, allowing it to rest on the auger housing.
3. Remove the frame cover underneath the snow thrower by removing the self-tapping screws. See Figure 16.
4. With the wheel drive control released, check if there is clearance between friction wheel and drive plate in all positions of the shift lever. See Figure 17.

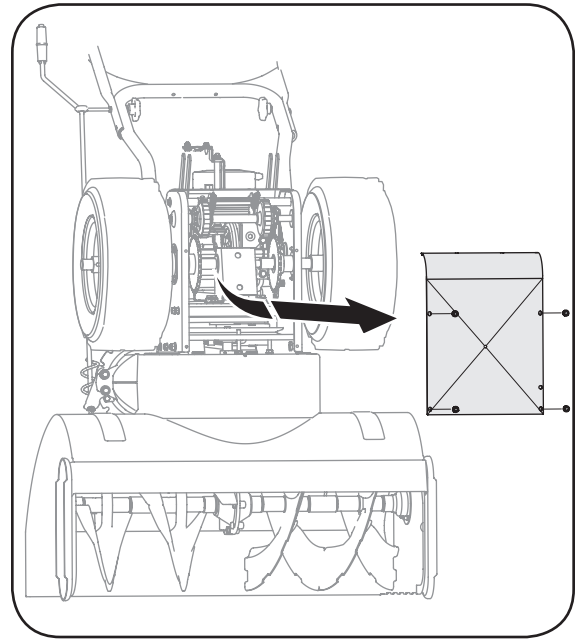


Figure 16

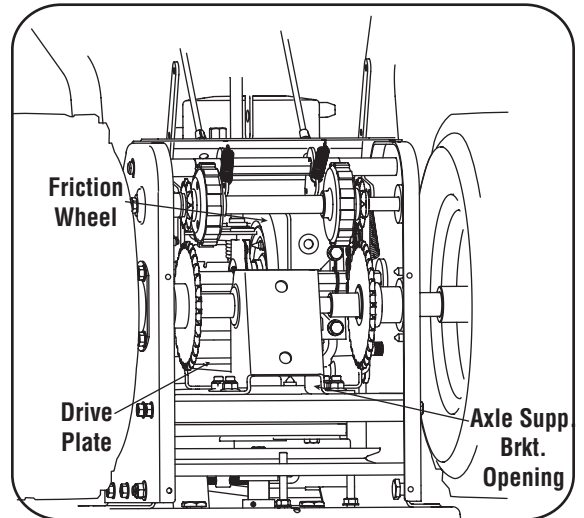


Figure 17

5. With the drive control lever engaged, check if the friction wheel solidly contacts the drive plate. See Figure 17. If not, adjust as follows:
 - a. Loosen the jam nut on the traction drive cable and thread the cable in or out as necessary.
 - b. Retighten the jam nut to secure the cable when correct adjustment is reached.
6. Reassemble the frame cover.

NOTE: If you placed plastic film under the gas cap earlier, remove it now.

Skid Shoes

The space between the shave plate and the ground can be adjusted by raising or lowering the skid shoes. For close snow removal, as when using on a smooth concrete or asphalt driveway, place the skid shoes in the low position. Use the middle or high position when the area to be cleared is uneven. When operating on gravel, always put skid shoes in the high position. See Figure 18.

Adjust skid shoes as follows:

1. Loosen, but do not remove, the hex flange locknuts which fasten the skid shoe to the auger housing.
2. Raise or lower the skid shoe to desired position.
3. Retighten the hex nuts loosened earlier.

NOTE: Make certain the bottom surface of skid shoe is flat against the ground to avoid uneven wear.

4. Repeat on the other side of the snow thrower.

Auger Control

Refer to instructions on page 9 to adjust the auger control. Make certain to check for correct adjustment as instructed before operating the snow thrower.

Chute Assembly

The distance snow is thrown can be adjusted by adjusting the angle of the chute assembly. Refer to page 9 for instructions.

The remote chute control cables have been pre-adjusted at the factory. Move the remote chute lever on the control panel back and forward to adjust angle of the chute assembly.

Chute Bracket Adjustment

If the spiral at the bottom of the chute directional control is not fully engaging with the chute assembly, the chute bracket can be adjusted. To do so:

1. Loosen the two nuts which secure the chute bracket and reposition it slightly. See Figure 19.
2. Retighten the nuts.

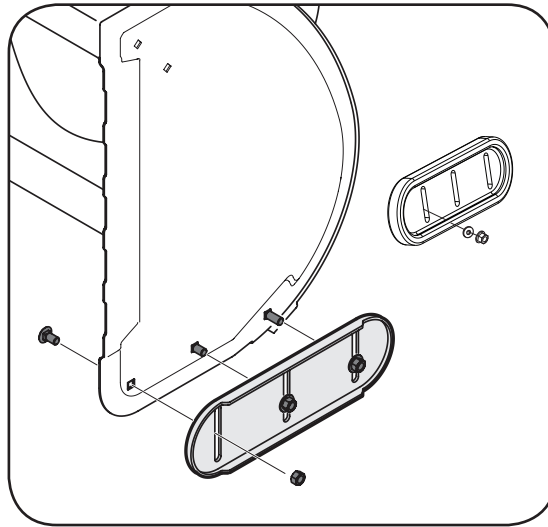


Figure 18

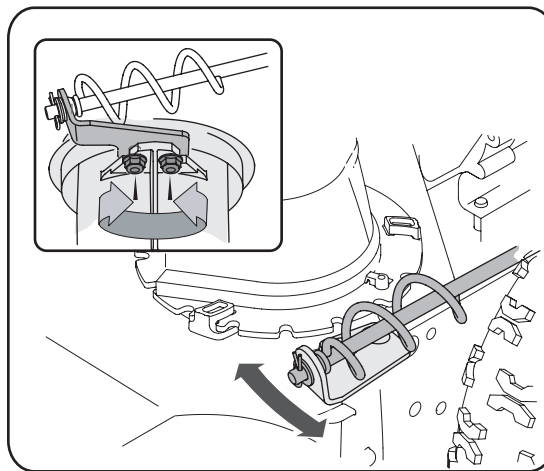


Figure 19

5

Making Adjustments



IMPORTANT: It is not recommended that you operate this snow thrower on gravel as loose gravel can be easily picked up and thrown by the auger causing personal injury or damage to the snow thrower.

If for some reason, you have to operate the snow thrower on gravel, keep the skid shoe in the highest position for maximum clearance between the ground and the shave plate.

6

Maintaining Your Snow Thrower



WARNING

Always stop engine, disconnect spark plug, and ground against engine before cleaning, lubricating or doing any kind of maintenance on your machine.



IMPORTANT

Avoid oil spillage on rubber friction wheel and aluminum drive plate.

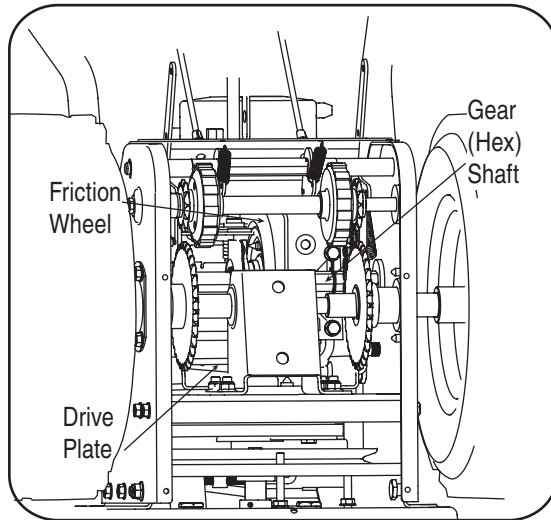


Figure 20

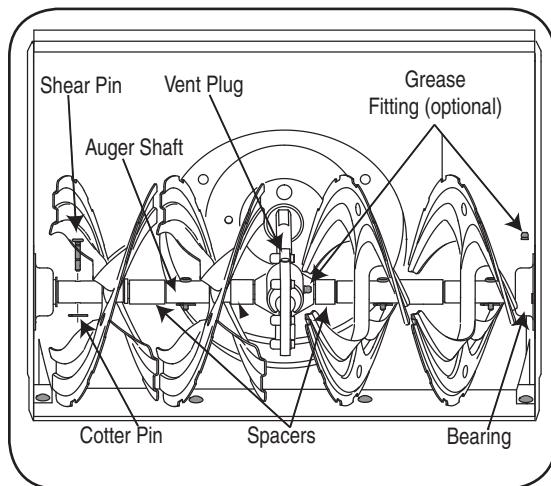


Figure 21

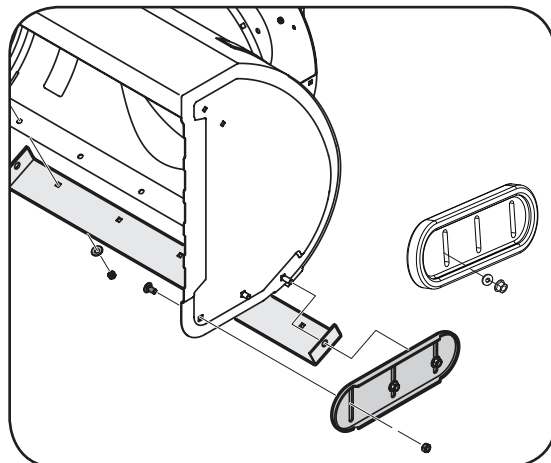


Figure 22

Engine

Refer to the separate engine manual packed with your unit for all engine maintenance and lubrication instructions.

Lubrication

Drive and Shifting Mechanism

At least once a season or after every 25 hours of operation, remove rear cover. Lubricate any chains, sprockets, gears, bearings, shafts, and the shifting mechanism at least once a season. Use engine oil or a spray lubricant. Refer to Figure 20.

IMPORTANT: Keep all grease and oil off the rubber friction wheel and drive plate.

Wheels

At least once a season, remove both wheels. Clean and coat the axles with a multipurpose automotive grease before reinstalling wheels.

Auger Shaft

At least once a season, remove the shear pins on auger shaft. Spray lubricant inside shaft, around the spacers. Also lubricate the flange bearings found at either end of the shaft. See Figure 21.

Augers

- The augers are secured to the spiral shaft with shear pins and cotter pins. If the auger should strike a foreign object or ice jam, the snow thrower is designed so that the pins may shear. See Figure 21.
- If the augers will not turn, check to see if the pins have sheared. One set of replacement shear pins has been provided with the snow thrower. When replacing pins, spray an oil lubricant into shaft before inserting new pins.

Shave Plate and Skid Shoes

The shave plate and skid shoes on the bottom of the snow thrower are subject to wear. They should be checked periodically and replaced when necessary. To remove skid shoes:

1. Remove the carriage bolts (and washers if equipped) and hex flange nuts which secure the skid shoes to the snow thrower.
2. Reassemble new skid shoes with previously removed hardware. Refer to Figure 22.

To remove shave plate:

1. Remove the carriage bolts and hex nuts which attach it and the skid shoes to the snow thrower housing.
2. Reassemble new shave plate, making sure heads of carriage bolts are to the inside of housing. Tighten securely.

Replacing Belts

To remove and replace either the auger belt or the drive belt, follow the steps below and then proceed to the specific steps listed under respective sub-headings.

1. Disconnect the chute crank assembly at the discharge chute end by removing the hairpin clip and the flat washer. See Figure 19.

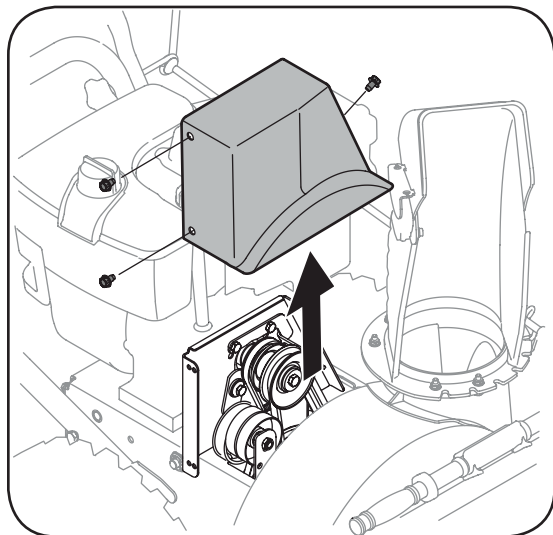


Figure 23

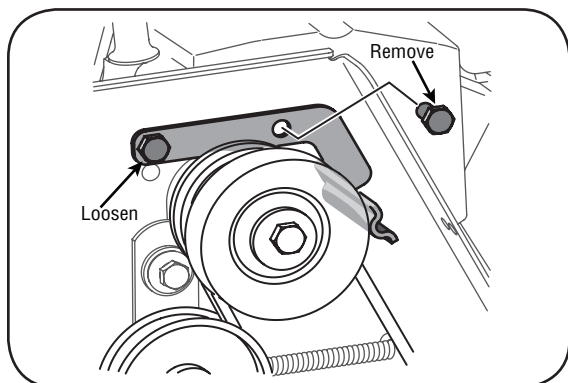


Figure 24

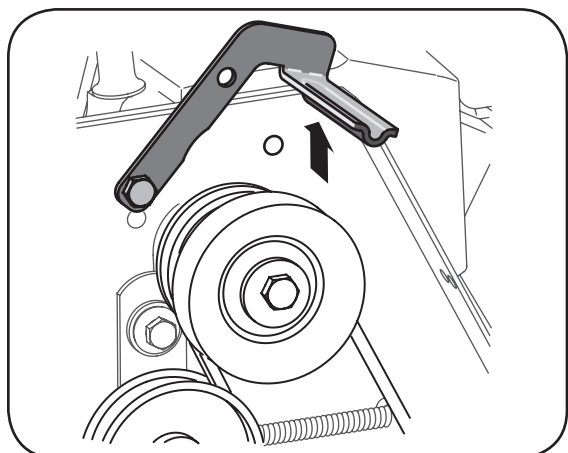


Figure 25

2. Remove the plastic belt cover, located near the engine, by removing the three self-tapping screws that secure it. See Figure 23.
3. a. Loosen the bolt shown in Figure 24 securing the belt keeper bracket and remove the other bolt.
b. Push the belt keeper and bracket up off the engine pulley. See Figure 25.

Auger Belt

4. Remove the hairpin clip and flat washer from the ferrule in order to disconnect the auger idler rod from the brake bracket assembly. See Figure 26.
5. Slip the auger control belt (the front belt) off the engine pulley.
6. Pull the brake bracket assembly towards the cable guide roller and unhook the auger cable "Z" fitting. See Figure 27.
7. Remove the hex screws which attach the auger housing assembly to the frame assembly using a 1/2" wrench. Refer to Figure 28.
8. Place a block of wood underneath the auger housing as shown in Figure 29 and separate auger housing from the frame by tilting the housing forward and pulling up the handles.

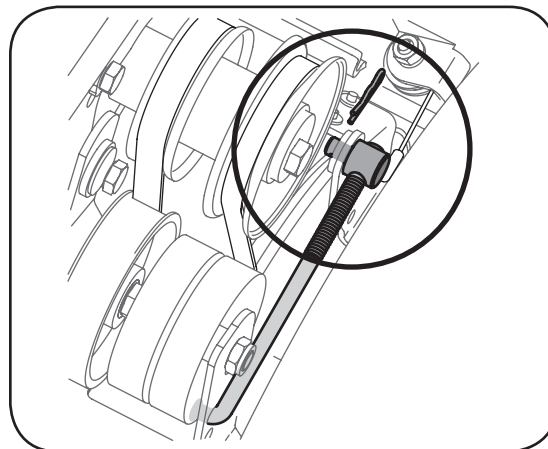


Figure 26

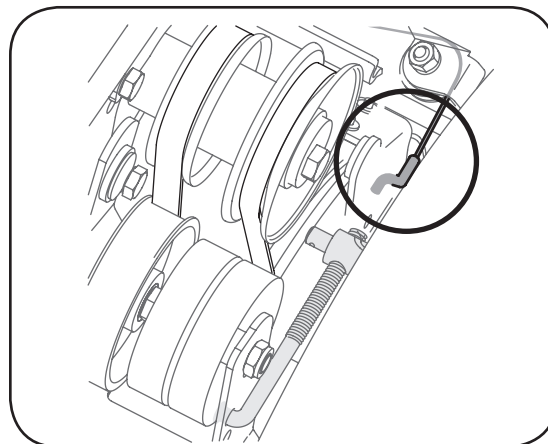


Figure 27

6

Maintaining Your Snow Thrower



IMPORTANT

NEVER replace the auger shear pins with standard pins. Any damage to the auger gearbox or other components, as a result of doing so, will NOT be covered by your snow thrower's warranty.

Check the condition of both auger belt and drive belt every 25 hours of snow thrower operation. Replace if either shows signs of wear and tear.

Specifications are subject to change without notification or obligation. Images may not reflect your exact model and are for reference purposes only.

6

Maintaining Your Snow Thrower



WARNING

Always stop engine, disconnect spark plug, and ground against engine before cleaning, lubricating or doing any kind of maintenance on your machine.



IMPORTANT

Refer to the Final Adjustment section of the Set-Up instructions after replacing drive and auger belts.

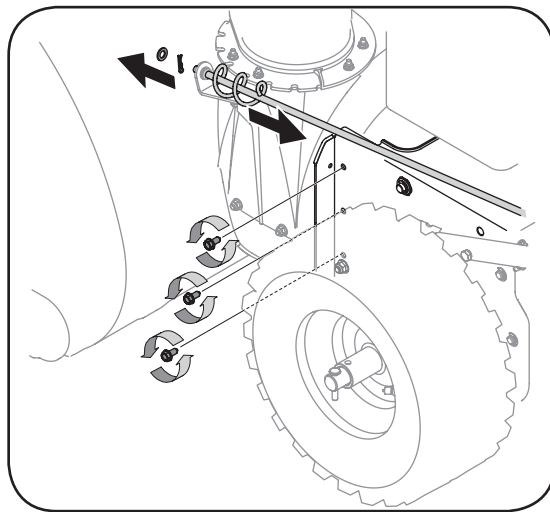


Figure 28

9. a. Using a 1/2" wrench, remove the hex screw and washer from the center of the pulley on the auger housing. See Figure 30.
- b. Lift the brake bracket assembly out of the pulley groove
- c. Remove the pulley.
10. Remove and replace auger belt inside belt keepers.
11. Apply Loctite 262 to the threads of the hex screw used for mounting the auger pulley.
12. Reassemble pulley to auger housing aligning pulley slots with posts on adapter, secure with hex screw and washer. Torque hex screw 250-325 in. lbs.

NOTE: Make sure the brake puck is seated in the pulley groove.

If also replacing the drive belt, proceed to the "Drive Belt" instruction. If not, reassemble by performing the previous steps in the opposite order and manner of removal.

Proper Adjustment: With the auger clutch lever in the disengaged position, the top surface of the new belt should be even with the outside diameter of the pulley.

1. To adjust, disconnect ferrule from brake bracket assembly and thread ferrule in (towards idler) to increase tension on belt, and out to decrease tension.

NOTE: The brake puck must always be firmly seated in the pulley groove when auger control is disengaged.

IMPORTANT: Repeat the "Auger Drive Control Test" from the Assembly section before operating snow thrower.

Drive Belt

1. Pull the idler pulley away from the backside of the drive belt to relieve the tension and slide the drive belt off the idler pulley. See Figure 31.
2. Remove the belt from the bottom drive pulley and the engine pulley.

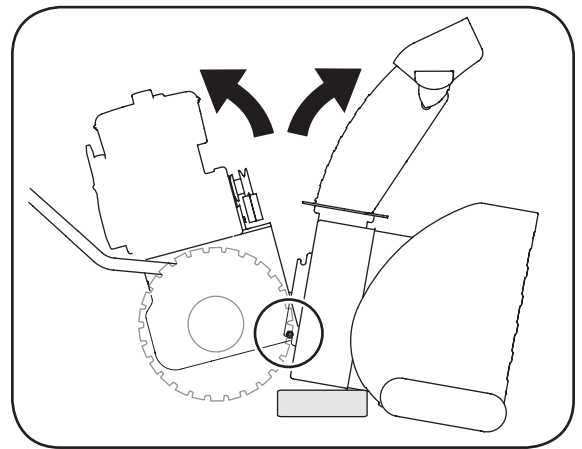


Figure 29

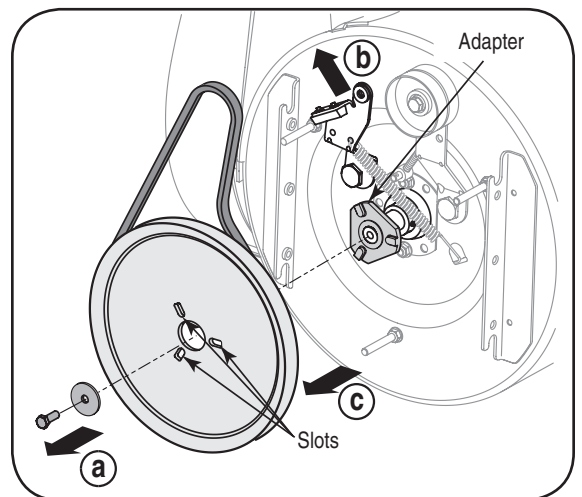


Figure 30

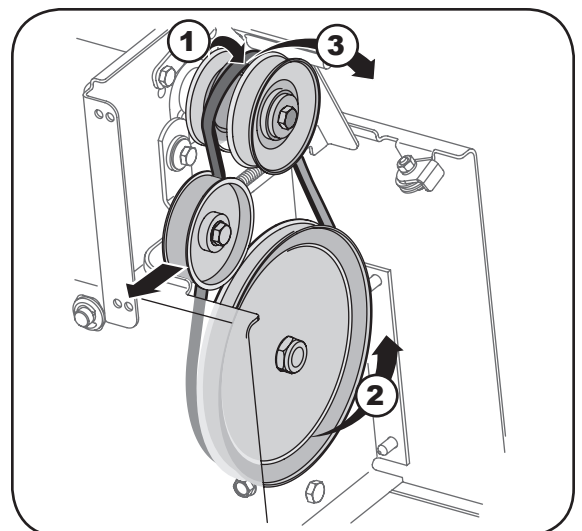


Figure 31

3. Install the new belt on the pulleys in the reverse order and re-tension with the idler pulley.

Reassemble your unit by performing the previous steps in the opposite order.

Changing Friction Wheel Rubber

- Drain the gasoline from the snow thrower, or place a piece of plastic under the gas cap.
- Tip the snow thrower up and forward, so that it rests on the housing.
- Remove screws from the frame cover underneath the snow thrower. See Figure 16.
- Remove the right wheel from the axle.
- Using a 3/4" wrench, hold the hex shaft and remove the hex bolts and cupped washer and bearing from left side of the frame. Refer to Figure 32.
- Holding the friction wheel assembly, slide the hex shaft out of the right side of the unit. The spacer on the left side of the hex shaft will fall and the sprocket should remain hanging loose in the chain.
- Lift the friction wheel assembly out between the axle shaft and the drive shaft assemblies.
- Remove four screws securing the friction wheel rubber between the friction wheel plates. See Figure 33. Discard old rubber.
- Reassemble the new friction wheel rubber to the friction wheel assembly, tightening the four screws in rotation and with equal force. It is important to assemble the rubber on the friction wheel symmetrically for proper functioning.
- Insert the pin from the shift arm assembly into the friction wheel assembly and hold assembly in position. Refer to Figure 34.
- Slide the hex shaft through the right side of the housing and through the friction wheel assembly.
- Insert the hex shaft through the sprocket and the spacer. Make certain that the chain engages both the large and the small sprocket.

NOTE: If the sprocket fell from the snow thrower while removing the hex shaft, place the sprocket on the hex shaft. Position the hex hub of the sprocket toward the friction wheel when sliding the sprocket on to the hex shaft.

- Slide the bearing onto the left end of the hex shaft and press into the hole on the left side the frame.
- Secure with the cupped washer and hex bolt removed earlier.
- Secure the frame cover with self-tapping screws. Put the snow thrower down to its normal operating position.

NOTE: If you placed plastic film under the gas cap, be certain to remove it.

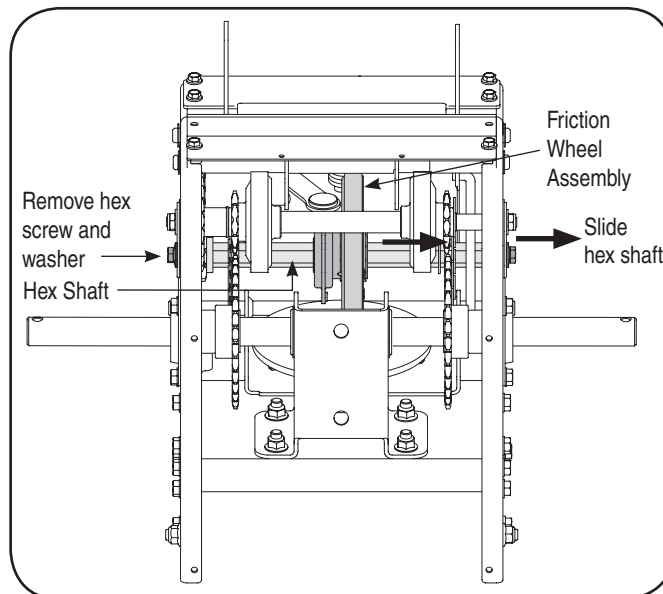


Figure 32

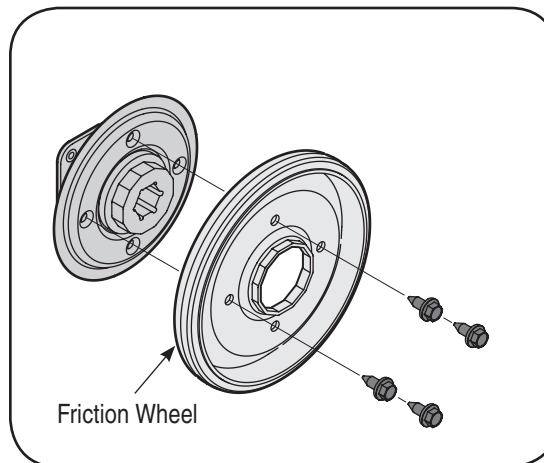


Figure 33

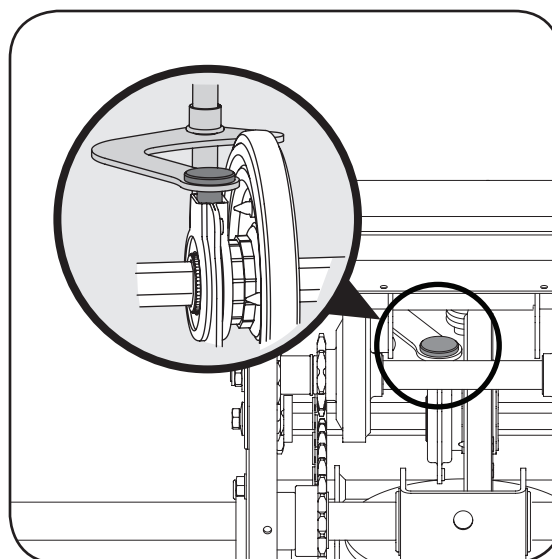


Figure 34

6

Maintaining Your Snow Thrower



WARNING

The rubber on the friction wheel is subject to wear and should be checked after the first 25 hours of operation, and periodically thereafter. Replace the friction wheel rubber if any signs of wear or cracking are found.

7

Off-Season Storage



WARNING

Never store snow thrower with fuel in tank indoors or in poorly ventilated areas, where fuel fumes may reach an open flame, spark or pilot light as on a furnace, water heater, clothes dryer or gas appliance.

Drain fuel into an approved container outdoors, away from any open flame. Be certain engine is cool. Do not smoke. Fuel left in engine during warm weather deteriorates and will cause serious starting problems.

Do not drain carburetor if using fuel stabilizer. Never use engine or carburetor cleaning products in the fuel tank or permanent damage may occur.

Observe the following, when preparing your snow thrower for off-season storage:

- Drain fuel into an approved container outdoors, away from any open flame. Allow engine to cool. Extinguish cigarettes, cigars, pipes and other sources of ignition prior to draining fuel. Fuel left in engine during warm weather deteriorates and will cause serious starting problems.
- If unit is to be stored over 30 days, prepare for storage as instructed in the separate engine manual packed with your unit.
- Run engine until fuel tank is empty and engine stops due to lack of fuel.
- Remove gasoline from carburetor and fuel tank to prevent gum deposits from forming on these parts and causing possible malfunction of engine.
- Drain carburetor by pressing upward on bowl drain, located below the carburetor cover.
- Fuel stabilizers, such as STA-BIL®, are an acceptable alternative in minimizing the formation of fuel gum deposits during storage. Do not drain carburetor if using a fuel stabilizer.
- Wipe equipment with an oiled rag to prevent rust.
- Remove spark plug and pour one ounce of engine oil through spark plug hole into cylinder. Cover spark plug hole with rag. Crank engine several times to distribute oil. Replace spark plug.
- Follow the lubrication recommendations found in the Maintenance Section.
- Always store the snow thrower in a clean, dry area.

8

Trouble-Shooting



NOTE: This section addresses minor service issues. For further details, contact customer assistance.

| Problem | Cause | Remedy |
|------------------------------|--|--|
| Engine fails to start | <ol style="list-style-type: none"> 1. Choke not in ON position. 2. Spark plug wire disconnected. 3. Fuel tank empty or stale fuel. 4. Engine not primed. 5. Faulty spark plug. 6. Blocked fuel line. 7. Safety key not in ignition on engine. 8. Fuel shut-off valve closed. (If Equipped) | <ol style="list-style-type: none"> 1. Move choke to ON position. 2. Connect wire to spark plug. 3. Fill tank with clean, fresh gasoline. 4. Prime engine as instructed in "Operating Your Snow Thrower". 5. Clean, adjust gap, or replace. 6. Clean fuel line. 7. Insert key fully into the switch. 8. Open fuel shut-off valve. |
| Engine runs erratic | <ol style="list-style-type: none"> 1. Unit running on CHOKE. 2. Blocked fuel line or stale fuel. 3. Water or dirt in fuel system. 4. Carburetor out of adjustment. | <ol style="list-style-type: none"> 1. Move choke lever to OFF position. 2. Clean fuel line; fill tank with clean, fresh gasoline. 3. Drain fuel tank. Refill with fresh fuel. 4. Contact Service Center. |
| Engine overheats | <ol style="list-style-type: none"> 1. Carburetor not adjusted properly. | <ol style="list-style-type: none"> 1. Contact Service Center. |
| Excessive Vibration | <ol style="list-style-type: none"> 1. Loose parts or damaged auger. | <ol style="list-style-type: none"> 1. Stop engine immediately and disconnect spark plug wire. Tighten all bolts and nuts. If vibration continues, have unit serviced by a Service Center. |
| Loss of power | <ol style="list-style-type: none"> 1. Spark plug wire loose. 2. Gas cap vent hole plugged. 3. Exhaust port plugged. | <ol style="list-style-type: none"> 1. Connect and tighten spark plug wire. 2. Remove ice and snow from gas cap. Be certain vent hole is clear. 3. Contact Service Center. |
| Unit fails to propel itself | <ol style="list-style-type: none"> 1. Drive control cable in need of adjustment. 2. Drive belt loose or damaged. | <ol style="list-style-type: none"> 1. Adjust drive control cable. Refer to "Adjustments". 2. Replace drive belt. |
| Unit fails to discharge snow | <ol style="list-style-type: none"> 1. Chute assembly clogged. 2. Foreign object lodged in auger. 3. Auger control cable in need of adjustment. 4. Auger belt loose or damaged. 5. Shear pin(s) sheared. | <ol style="list-style-type: none"> 1. Stop engine immediately and disconnect spark plug wire. Clean chute assembly and inside of auger housing with clean-out tool or a stick. 2. Stop engine immediately and disconnect spark plug wire. Remove object from auger with clean-out tool or a stick. 3. Refer to "Auger Control Test". 4. Refer to Maintenance section. 5. Replace with new shear pin(s). |

9

Warranty



Failure to comply with suggested maintenance and lubrication specifications will void warranty.

FOUR YEAR SUPREME WARRANTY:

For four years from date of retail purchase within Canada, MTD PRODUCTS LIMITED will, at its option, repair or replace, for the original purchaser, free of charge, any part or parts found to be defective in material or workmanship. This warranty covers units which have been operated and maintained in accordance with the owner's instructions furnished with the unit, and which have not been subject to misuse, abuse, commercial use, neglect, accident improper maintenance or alteration. Normal wear parts or components thereof are subject to special terms as noted below in the Ninety Day Consumer Warranty clause.

The engine, starter motor or component parts thereof carry separate warranties from their manufacturers. Please refer to the applicable manufacturer's warranty policy for these items.

Ninety Day Consumer Warranty on Normal Wear Parts: All normal wear part failures will be covered on this product for a period of 90 days. After 90 days but within the four year warranty period, normal wear part failures will be covered if caused by defects in material or workmanship of other component parts. Normal wear parts are defined as batteries, belts, blades, blade adaptors, grass bags, rider deck wheels, seats, tires and clutch parts (friction wheels).

Full Ninety Day Warranty on Battery (if equipped): For ninety (90) days from the date of retail purchase, if any battery included with this unit proves defective in material or workmanship and our testing determines the battery will not hold a charge, MTD PRODUCTS LIMITED will replace the battery at no charge to the original purchaser.

Additional Limited Thirty Day Warranty on Battery (if equipped): After ninety (90) days but within one hundred twenty (120) days from the date of purchase, MTD PRODUCTS LIMITED will replace the defective battery, for the original purchaser, for a cost of one-half (1/2) of the current retail price of the battery in effect at the date of return.

Personal use: THE FOREGOING PARAGRAPHS CONSTITUTE THE MANUFACTURER'S ENTIRE WARRANTY WITH RESPECT TO ANY PRODUCT PURCHASED AND USED FOR PERSONAL FAMILY, HOUSEHOLD/RESIDENTIAL PURPOSES, AS DISTINGUISHED FROM COMMERCIAL USAGE.

Commercial use: ALL APPLICATIONS OTHER THAN PERSONAL USE AS OUTLINED ABOVE, ARE CONSIDERED COMMERCIAL USAGE.

New products purchased for commercial usage are warranted in the same manner and to the same extent EXCEPT the term of warranty will be 90 DAYS from date of purchase.

How to Obtain Service: Warranty service is available, with proof of purchase, through your local MTD Authorized Service Dealer. If you do not know the dealer in your area, please write to the Service Department of MTD PRODUCTS LIMITED, P.O. BOX 1386, KITCHENER, ONTARIO N2G 4J1. The return of a complete unit will not be accepted by the factory unless prior written permission has been extended by MTD PRODUCTS LIMITED.

Other Warranties: All other warranties, express or implied, including any implied warranty of merchantability is limited in its duration to that set forth in this express limited warranty. The provisions as set forth in this warranty provide the sole and exclusive remedy of MTD PRODUCTS LIMITED obligations arising from the sale of its products. MTD PRODUCTS LIMITED will not be liable for incidental or consequential loss or damage.

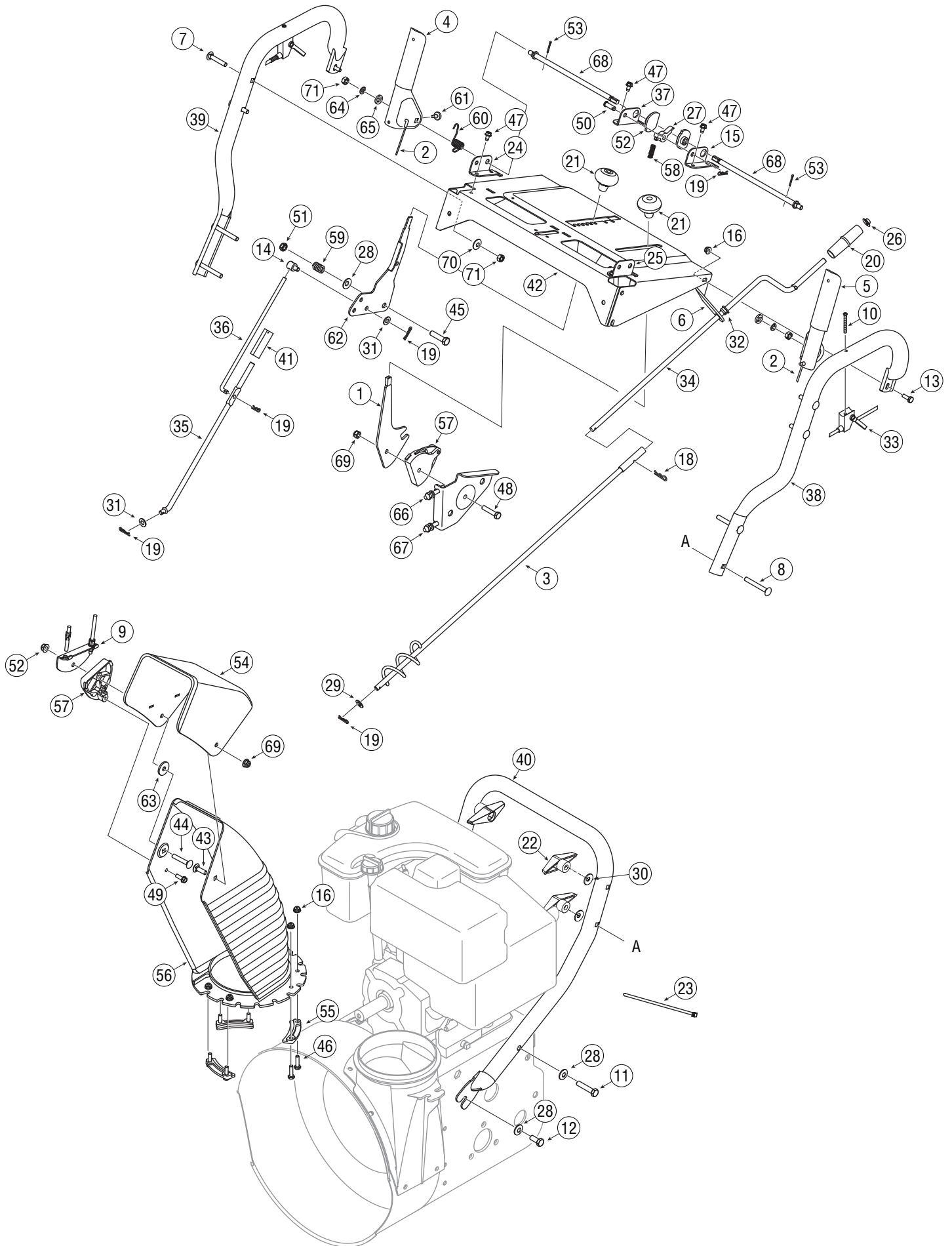
12.08.06

NOTES:



For parts and/or accessories refer to customer support on page 2.

Adressez-vous au «Service après-vente» à la page 2 pour ce qui concerne les pièces et/ou accessoires.



| REF NO. N° DE RÉF | PART NO. N° DE PIÈCE | DESCRIPTION | DESCRIPTION |
|----------------------|-------------------------|--|---|
| 1 | 784-5604A | Chute Tilt Handle | Poignée de la bouche d'évacuation |
| 2 | 646-0012 | Cable Ass'y (Auger/Drive) | Câble (Tarière/Entraînement) |
| 3 | 684-0053B | Lower Chute Crank Assembly | Manivelle de la goulotte inférieure |
| 4 | 705-5218 | Engage Handle RH Black | Poignée d'entraînement CD noir |
| 5 | 705-5219 | Engagement Handle LH Black | Poignée d'entraînement CG noir |
| 6 | 705-5266 | Upper Chute Crank Support | Support de la manivelle de la goulotte supérieure |
| 7 | 710-0458 | Carriage Bolt 5/16-18 x 1.75" Lg. | Boulon à collet carré 5/16-18 x 1,75 po de lg |
| 8 | 710-0572 | Carriage Bolt 5/16-18 X 2.50 | Boulon ordinaire 5/16-18 x 2,50 |
| 9 | 784-5594 | Cable Bracket Chute Tilt | Support de câble |
| 10 | 710-1625 | Screw, #10-24 x 1.75 | Vis n°. 10-24 x 1,75 |
| 11 | 710-04682 | Hex Screw 3/8-16 x 2.0 Gr. 5 | Vis à tête hex. 3/8-16 x 2,0 Qual. 5 |
| 12 | 710-3118 | Hex TT Screw 3/8-16 x .75 | Vis taraudée 3/8-16 x 0,75 |
| 13 | 710-3015 | Hex Cap Bolt 1/4-20 x .75" Lg. | Boulon 1/4-20 x 0,75 po de lg. |
| 14 | 711-0677 | Adjustment Ferrule | Virole de réglage |
| 15 | 784-5679 | LH Handle Support Brkt. 5/8" | Support de guidon-gauche 5/8 po |
| 16 | 712-04064 | Hex L-Flanged Nut 1/4-20 Gr. F Nylon | Contre-écrou à embase 1/4-20 Qual. F nylon |
| 18 | 714-0101 | Internal Cotter Pin | Goupille fendue - int. |
| 19 | 714-0104 | Int. Cotter Pin .072 x 1.13" Lg. | Goupille fendue int. 0,072 x 1,13 po de lg. |
| 20 | 720-0201A | Knob 1.0 x 3.2 | Bouton 1,0 x 3,20 |
| 21 | 720-04039 | Shift Knob | Bouton |
| 22 | 720-0284 | Knob | Bouton |
| 23 | 725-0157 | Cable Tie | Attache-câble |
| 24 | 784-5682 | RH Handle Support Brkt. 3/8" | Support de guidon-droit 3/8 po |
| 25 | 784-5681 | LH Handle Support Brkt. 3/8" | Support de guidon-gauche 3/8 po |
| 26 | 726-0100 | Push Nut 3/8" Rod | Écrou pour tige de 3/8 po |
| 27 | 748-0363 | Cam Lock Pawl | Cliquet |
| 28 | 736-0105 | Cupped Washer .375 ID x .870 OD x .063 | Rondelle creuse 0,375 DI x 0,875 DE x 0,063 |
| 29 | 736-0185 | Flat Washer .406" I.D. x .75" O.D. | Rondelle plate 0,406 DI x 0,75 DE |
| 30 | 736-0242 | Cupped Washer .345 ID x .88 OD x .06 | Rondelle creuse 0,345 DI x 0,88 DE x 0,06 |
| 31 | 736-0275 | Flat Washer .34 ID x .688 OD x .065 | Rondelle plate 0,34 DI x 0,688 DE x 0,065 |
| 32 | 741-0475 | Plastic Bushing .380 ID | Manchon en plastique de 0,38 po de D.I. |
| 33 | 746-0950A | Steering Trigger | Câble à chenilles de direction |
| 34 | 747-0624 | Upper Chute Crank Assembly | Manivelle de la goulotte supérieure |
| 35 | 747-0983A | Lower Shift Rod | Tige de commande inférieur |
| 36 | 747-0997 | Upper Shift Rod | Tige de commande supérieur |
| 37 | 784-5680 | RH Handle Support Brkt. 5/8" | Support de guidon-droit 5/8 po |
| 38 | 749-0989A | Upper Handle LH | Guidon supérieur CG |
| 39 | 749-0990A | Upper Handle RH | Guidon supérieur CD |
| 40 | 749-0991 | Lower Handle | Guidon supérieur |
| 41 | 750-0963 | Connector - Shift Rod | Raccord - tige de changement de la vitesse |
| 42 | 684-0102A | Handle Panel Support Ass'y | Ensemble de support de panneau |
| 43 | 710-0276 | Carriage Bolt 5/16-18 x 1.00" Lg | Boulon ordinaire de 5/16-18 x 1,00 po de lg |
| 44 | 710-0458 | Carriage Bolt 5/16-18 x 1.75" Lg. | Boulon à collet carré 5/16-18 x 1,75 po de lg |
| 45 | 710-0459A | Hex Scr 3/8-24 x 1.50 | Vis à tête hexagonale 3/8-24 x 1,50 |
| 46 | 710-0597 | Hex Screw 1/4-20 x 1.00 | Vis à tête hexagonale 1/4-20 x 1,00 |
| 47 | 710-0599 | Hex Wash S-Tapp Scr 1/4-20 x .50 | Vis autotaraudeuse à rondelle hex. 1/4-20 x 0,50 |
| 48 | 710-0805 | Hex Bolt 5/16-18 x 1,50" Lg. Gr. 5 | Boulon hex. 5/16-18 x 1,50 po de lg Qual. 5 |
| 49 | 710-0895 | Hex Tapp Scr 1/4 x .75" Lg. | Vis taraudée à tête hex de 1/4 x 0,75 po de lg |
| 50 | 711-0653 | Clevis Pin .31 Dia. x 1.0" Lg. | Axe d'attelage 0,31 dia. x 1,0 po de lg. |
| 51 | 712-0116 | Hex Nut 3/8-24 | Écrou hexagonal 3/8-24 |
| 52 | 748-0362 | Cam Handle Lock | Came |
| 53 | 714-0507 | Cotter Pin 3/32 x .75 | Goupille fendue 3/32 x 0,75 |
| 54 | 731-0846C | Upper Chute | Partie supérieur noir de la goulotte |
| 55 | 731-0851A | Chute Flange Keeper | Guide de la goulotte |
| 56 | 731-0903D | Lower Chute | Partie inférieur noir de la goulotte |
| 57 | 731-1313C | Cable Guide | Guide de la câble |
| 58 | 732-0145 | Compression Spring .62 OD x 6.12" Lg. | Ressort de compression 0,62 DE x 6,12 po de lg. |
| 59 | 732-0193 | Compression Spring .38 ID x .88 Lg | Ressort de compression 0,38 DI x 0,88 po de lg. |
| 60 | 732-0746 | Torsion Spring | Ressort de torsion |
| 61 | 735-0199A | Rubber Bumper | Pare - chocs en caoutchouc |
| 62 | 784-5619B | Shift Lever | Levier de changement de la vitesse |
| 63 | 736-0231 | Flat Washer .344 ID x 1.125 OD x .125 | Rondelle plate 0,344 DI x 1,125 DE x 0,125 |
| 64 | 736-0119 | L-Wash 5/16 ID | Rondelle frein 5/16 DI |
| 65 | 736-0509 | Washer (special) | Rondelle - spéciale |
| 66 | 746-0902 | Chute Control Cable 66" | Câble de la commande de la goulotte |
| 67 | 746-0903 | Chute Control Cable w/clip | Câble de la commande de la goulotte |
| 68 | 747-0877 | Cam Rod | Tige de came |
| 69 | 712-04063 | Hex L-Flanged Nut 5/16-18 Gr. F Nylon | Contre-écrou à embase 5/16-18 Qual. F nylon |
| 70 | 736-0159 | Flat Washer .349 ID x .879 OD x .063 | Rondelle plate 0,349 DI x 0,879 DE x 0,063 |
| 71 | 712-3068 | Hex Patch L-Nut 5/16-18 | Écrou de blocage à six pans 5/16 - fil. 18 |

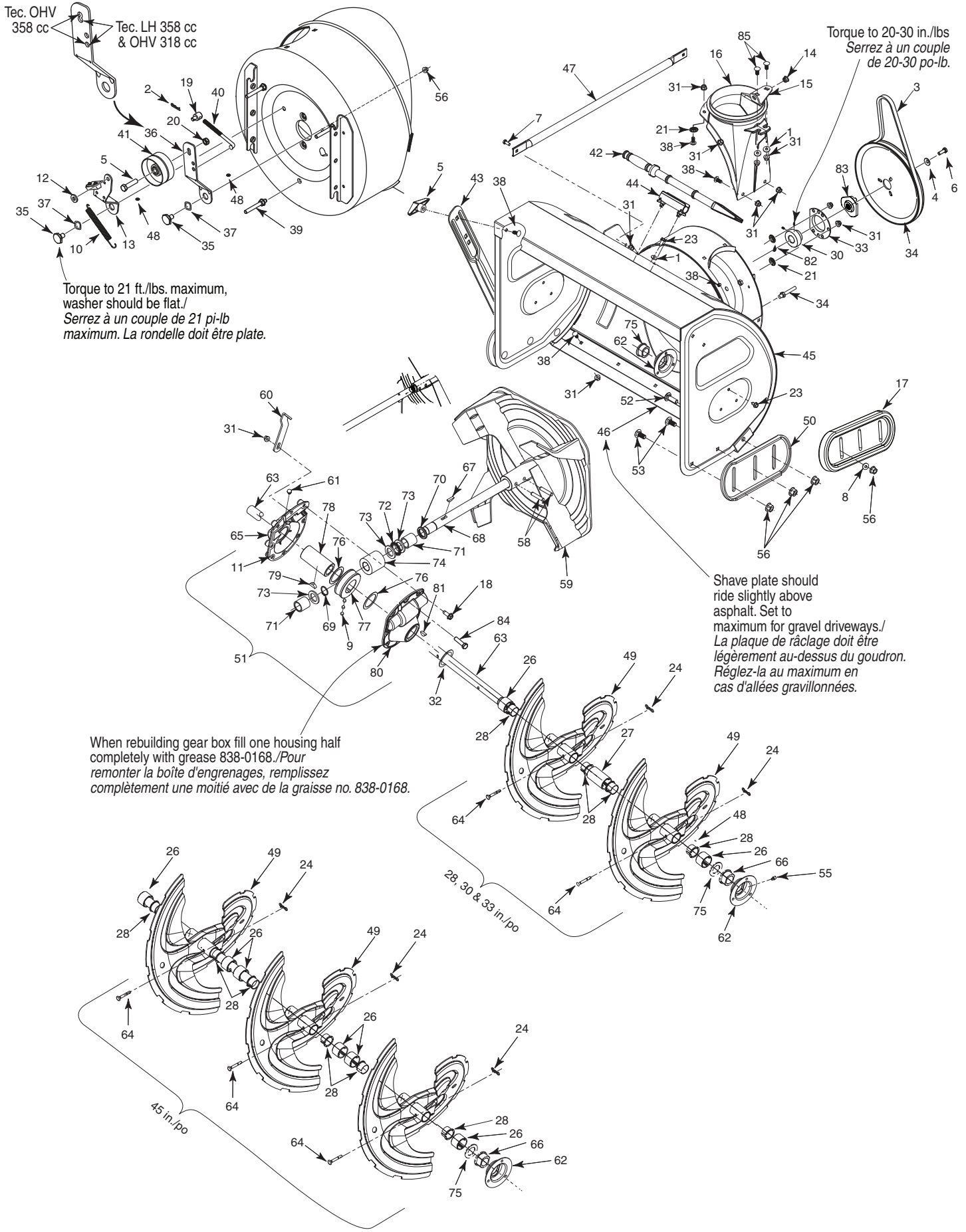
31A-9006
7.9.07

10

Parts List Pièces détachées



For parts and/or accessories refer to customer support on page 2.
Adressez-vous au «Service après-vente» à la page 2 pour ce qui concerne les pièces et/ou accessoires.



| REF NO. N° DE RÉF | PART NO. N° DE PIÈCE | DESCRIPTION | DESCRIPTION |
|-------------------|----------------------|---|--|
| 1 | 736-0159 | Flat Washer .349 ID x .879 OD x .063 | Rondelle plate 0,349 DI x 0,879 DE x 0,063 |
| 2 | 714-0104 | Int. Cotter Pin | Goupille fendue |
| 3 | 754-0222A | V-Belt 1/2 x 44" Lg. | Courroie trapézoïdale 1/2 x 44 po de lg |
| | 754-04131 | V-Belt 1/2 x 42" Lg. | Courroie trapézoïdale 1/2 x 42 po de lg |
| 4 | 736-0505 | Flat Washer .34 x 1.5 x .150 | Rondelle plate 0,34 x 1,5 x 0,150 |
| 5 | 720-0284 | Handle Knob Assembly | Bouton |
| 6 | 710-1245B | Hex Screw 5/16-24 x .875 Gr. 8 Lock | Vis à tête hexagonale 5/16-24 x 0,875 Qual. 8 |
| 7 | 710-3008 | Hex Hd Cap Scr. 5/16-18 x .75 Gr. 5 | Vis à tête hex. 5/16-18 x 0,75 Qual. 5 |
| 8 | 736-0262 | Flat Washer .385 x .870 x .092 | Rondelle plate 0,385 x 0,870 x 0,092 |
| 9 | 737-0168 | Shell Alvania Grease (3 oz.) | Graisseur (3oz.) |
| 10 | 732-0858 | Extension Spring .470 Dia. x 4.75 | Ressort d'extension 0,470 diam. x 4,75 |
| 11 | 721-0328 | Ultra Grey Loctite #5699 | Loctite n°. 5699 |
| 12 | 736-3008 | Flat Washer .344 ID x .75 OD x .120 | Rondelle plate 0,344 DI x 0,75 DE x 0,120 |
| 13 | 618-0281A | Brake Bracket Ass'y (900 Series) | Support du frein (séries 900) |
| 14 | 741-0475 | Plastic Bushing .380 ID | Coussinet plastique 0,380 DI |
| 15 | 784-5123 | Chute Brkt. | Support de la bouche d'évacuation |
| 16 | 731-1696B | Chute Adapter | Adaptateur |
| 17 | 731-06007 | Reversible Slide Shoe (Plastic) | Sabot coulissant réversible (Plastique) |
| 18 | 710-1260A | Screw, 5/16-18 x .5 | Vis taraudée 5/16-18 x 0,5 |
| 19 | 711-0677 | Adjustment Ferrule | Virole de réglage |
| 21 | 726-04012 | Push-on Nut .25 diam | Poussée écrou -0,25 diam. |
| 23 | 710-04484 | Hex TT Screw 3/8-16 x .75 | Vis taraudée 3/8-16 x 0,75 |
| 24 | 714-04040 | Bow Tie Cotter Pin | Goupille fendue |
| 26 | 731-05163 | Spacer 1.5 x 1.0 ID x 1.0" Lg. | Entretoise 1,50 x 1,0 DI x 1,0 po de lg. |
| 27 | 731-05162 | Spacer 1.5 x 1.0 ID x 2.5" Lg. | Entretoise 1,50 x 1,0 DI x 2,50 po de lg. |
| 28 | 741-0494 | Flange Bushing 1.05 ID x 1.16 OD | Coussinet 1,05 DI x 1,16 DE |
| 30 | 741-04024 | Self-Aligning Bearing .875 ID | Roulement autoaligner 0,875 DI |
| 31 | 712-04063 | Hex Fig. L-Nut 5/16-18 Gr. F Nylon | Contre-écrou à embase 5/16-18 Qual. F nylon |
| 32 | 736-3046A | Flat Washer 1.010 x 1.88 x .060 | Rondelle plate 1,010 x 1,88 x 0,06 |
| 33 | 05244B | Bearing Housing | Boîtier de roulement |
| 34 | 756-04244A | Pulley .5 ID x 10 OD | Poulie 0,5 DI x 10,0 DE |
| 35 | 738-0281 | Shoulder Scr .625 Dia x .170 | Vis à épaulement dia 0,625 x 0,170 po |
| 36 | 784-0385B | Auger Idler Bracket | Support de tension de la tarière |
| 37 | 736-0174 | Wave Washer .625 ID x .885 OD x .015 | Rondelle ondulée 0,625 DI x 0,885 DE x 0,015 |
| 38 | 710-0451 | Carriage Bolt 5/16-18 x .75 | Boulon ordinaire 5/16-18 x 0,75 |
| 39 | 710-04606 | Screw 5/16-18 x .43 | Vis 5/16-18 x 0,43 |
| 40 | 747-0980A | Auger Idler Rod | Tige de tension de la tarière |
| 41 | 756-0178 | Flat Idler Pulley | Poulie de tendeur plate |
| 42 | 731-2643 | Cleanout Tool | Outil de dégagement de la goulotte |
| 43 | 790-00181 | Drift Cutter | Barre de coupe |
| 44 | 731-2635 | Cleanout Tool Mount | Support-outil de dégagement de la goulotte |
| 45 | * | Snowthrower Housing Ass'y | Logement du chasse-neige |
| 46 | * | Shave Plate | Plaque de raclage |
| 47 | 749-1117 | Support Tubing | Tuyau |
| 48 | 737-0318 | Arctic Grease | Graisse Arctic |
| 49 | * | Augers | Tarières |
| 50 | 784-5697 | Reversible Slide Shoe | Sabot coulissant réversible |
| 51 | 618-04515 | Worm Gear Box Ass'y | Boîte d'assemblage de vis sans fin |
| 52 | 710-3168 | Carriage Bolt 3/8-16 x 1.00" (w/steel shoe) | Boulon ordinaire 3/8-16 x 1,00 (avec sabot en acier) |
| | 710-3034 | Carriage Bolt 3/8-16 x 1.25" (w/plastic shoe) | Boulon ordinaire 3/8-16 x 1,25 (avec sabot en plastique) |
| 53 | 710-0389 | Carriage Bolt 3/8-16 x .75" (w/steel shoe) | Boulon ordinaire 3/8-16 x 0,75 (avec sabot en acier) |
| | 710-3168 | Carriage Bolt 3/8-16 x 1.00" (w/plastic shoe) | Boulon ordinaire 3/8-16 x 1,00 (avec sabot en plastique) |
| 56 | 712-04065 | Hex Flange L-Nut 3/8-16 Gr. F Nylon | Contre écrou hex 3/8-16 Qual. F nylon |
| 58 | 715-0118 | Spring Spirol Pin Heavy - 5/16 dia x 1.7 | Goupille en spirale 5/16 dia x 1,75 po de lg |
| 59 | 684-0090B | Blower Fan Ass'y Complete | Ventilateur du chasse-neige complet |
| 60 | 790-00264A | Gear Housing Support Bracket | Support du carter d'engrenage |
| 61 | 721-0325 | Barbed Plug | Bouchon |
| 62 | 05845C | Bearing Housing | Boîtier de roulement |
| | 784-0315A | Bearing Housing (w/grease fitting) | Boîtier de roulement (avec raccord de graisseur) |
| 63 | * | Auger Shaft | Arbre de tarière |
| 64 | 738-04155 | Shear Pin 5/16-18 x 1.75 | Goupille de cisaillement 5/16-18 x 1,75 |
| 65 | 618-0246 | Gear Housing Half - RH | Carter d'engrenage au moitié - droit |
| 66 | 741-0192 | Flange Bearing | Roulement à bride |
| 67 | 714-0126 | #9 HI-Pro Key 3/16 x 3/4 Dia HT | Clavette Hi-Pro n° 9 - 3/16 x 3/4 diam |

* See chart on next page./ Voir le tableau à la page prochaine

Continued on next page/Suite à la page prochaine

10

Parts List Pièces détachées



For parts and/or accessories refer to customer support on page 2.

Adressez-vous au «Service après-vente» à la page 2 pour ce qui concerne les pièces et/ou accessoires.

| REF NO. N° DE RÉF | PART NO. N° DE PIÈCE | DESCRIPTION | DESCRIPTION |
|----------------------|-------------------------|--|--|
| 68 | 711-04714 | Auger Drive Shaft | Arbre d'entraînement |
| 69 | 716-0111 | Snap Ring for .875 dia. shaft | Jonc d'arrêt pour arbre de 0,875 dia. |
| 70 | 721-0145 | Oil seal for .875 ID Garlock (76 x 6133) | Joint d'étanchéité d'huile (76 x 6133) |
| 71 | 741-0217 | Sleeve Bearing .875 ID | Palier à douille 0,875 DI |
| 72 | 741-0184 | Thrust Bearing .88 ID x 1.44 OD x .078 | Palier à butée 0,88 DI x 1,44 DE x 0,078 |
| 73 | 736-0291 | Flat Washer .88 ID x 1.4 OD x .125 | Rondelle plate 0,88 DI x 1,40 DE x 0,125 |
| 74 | 717-0299 | Worm Gear LH Double Thread | Vis sans fin à double filetage gauche |
| 75 | 750-04020 | Spacer | Entretoise |
| 76 | 736-0266 | Flat Washer 1.5 ID x 2.0 OD x .03 | Rondelle plate 1,50 DI x 2,0 DE x 0,03 |
| 77 | 717-1425 | Worm Gear LH Double Thread (Bronze) | Vis sans fin à double filetage - gauche bronze |
| 78 | 738-0275 | Worm Gear Shaft | Support du carter d'engrenage |
| 79 | 714-0135 | #91 Woodruff Key 1/4 x 3/4 Dia. | Clavette Woodruff n° 91 1/4 x 3/4 |
| 80 | 618-0247 | Gear Housing Half LH | Carter d'engrenages - moitié - CG |
| | 618-0435 | Gear Housing Half LH (w/grease fitting hole) | Carter d'engrenages - moitié - CG (avec raccord graisse) |
| 81 | 714-0135 | #91 Woodruff Key 1/4 x 3/4 Dia. | Clavette Woodruff n° 91 1/4 x 3/4 |
| 82 | | Low Temperature grease | Graisseur |
| 83 | 748-04067A | Pulley Adapter .75 Dia. w/pins | Adaptateur de poulie 0,75 diam. avec attaches |
| 84 | 710-0376 | Hex Hd. Cap Scr. 5/16-18 x 1.0 Gr. 5 | Vis à tête hex. 5/16-18 x 1,0 Qual. 5 |

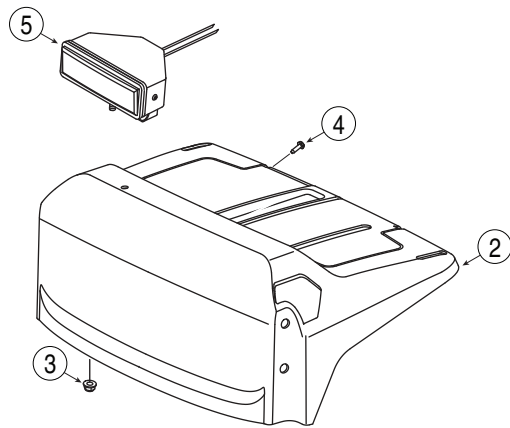
31A-8012
7.9.07

| AUGER HOUSING COMPONENTS/COMPOSANTS DU LOGEMENT DES TARIÈRES | | | | | | |
|--|--|--|---------------------------------|--------------------------------|--------------------------------------|--|
| SIZE TAILLE | DESCRIPTION | AUGER HOUSING LOGEMENT DES TARIÈRES | LH AUGERS TARIÈRES GAUCHE | RH AUGERS TARIÈRES DROIT | AUGER SHAFT ARBRE DES TARIÈRES | SHAVE PLATE PLAQUE DE RACLAGE |
| 28"/28 po | Standard Housing* Logement Standard | 684-04213 | 684-04151 | 684-04152 | 738-04156 | 784-5716B |
| 28"/28 po | Heavy Duty w/brace Robuste avec tuyau | 684-04218 | 684-04151 | 684-04152 | 738-04156 | 784-5716B |
| 30"/30 po | Standard Housing* Logement Standard | 684-04215 | 684-04151 | 684-04152 | 738-04157 | 784-5715B |
| 30"/30 po | Heavy Duty w/brace Robuste avec tuyau | 684-04221 | 684-04151 | 684-04152 | 738-04157 | 784-5715B |
| 30"/30 po | Troy Bilt Housing Logement Troy Bilt | 684-04225 | 684-04151 | 684-04152 | 738-04157 | 784-5715B |
| 33"/33 po | Standard Housing* Logement Standard | 684-04214 | 684-04151 | 684-04152 | 738-04158 | 784-5714B |
| 33"/33 po | Heavy Duty w/brace Robuste avec tuyau | 684-04220 | 684-04151 | 684-04152 | 738-04158 | 784-5714B |
| 33"/33 po | Troy Bilt Heavy Duty w/brace Logement robuste avec tuyau Troy Bilt | 684-04222 | 684-04151 | 684-04152 | 738-04158 | 784-5714B |
| 45"/45 po | Heavy Duty w/brace Robuste avec tuyau | 684-04224 | 684-04151 | 684-04152 | 738-04159 | 790-00280 |
| 45"/45 po | Troy Bilt Heavy Duty w/brace Robuste avec tuyau | 684-04223 | 684-04151 | 684-04152 | 738-04159 | 790-00280 |

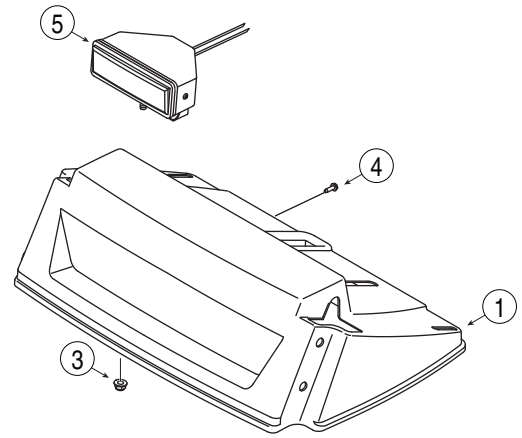
* with or without grease fittings

* avec ou sans raccords de graissage

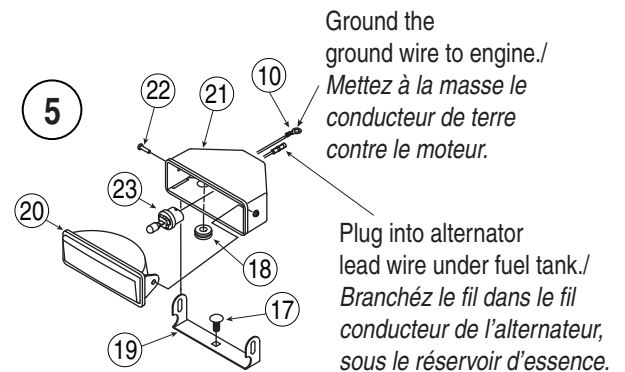
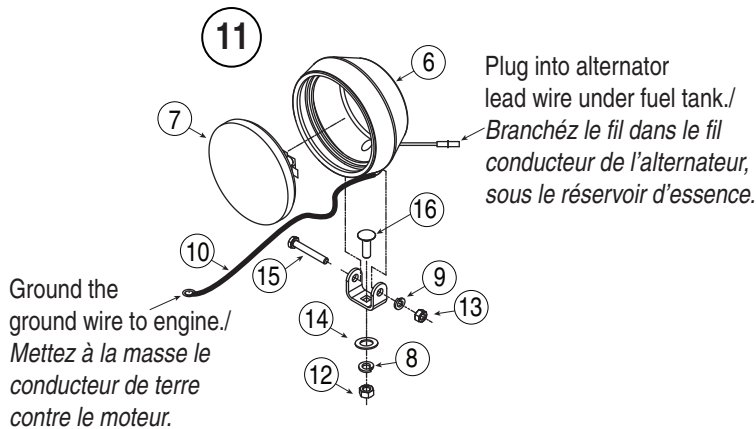
N/A = Not available
N/D = Non disponible



STYLE #6

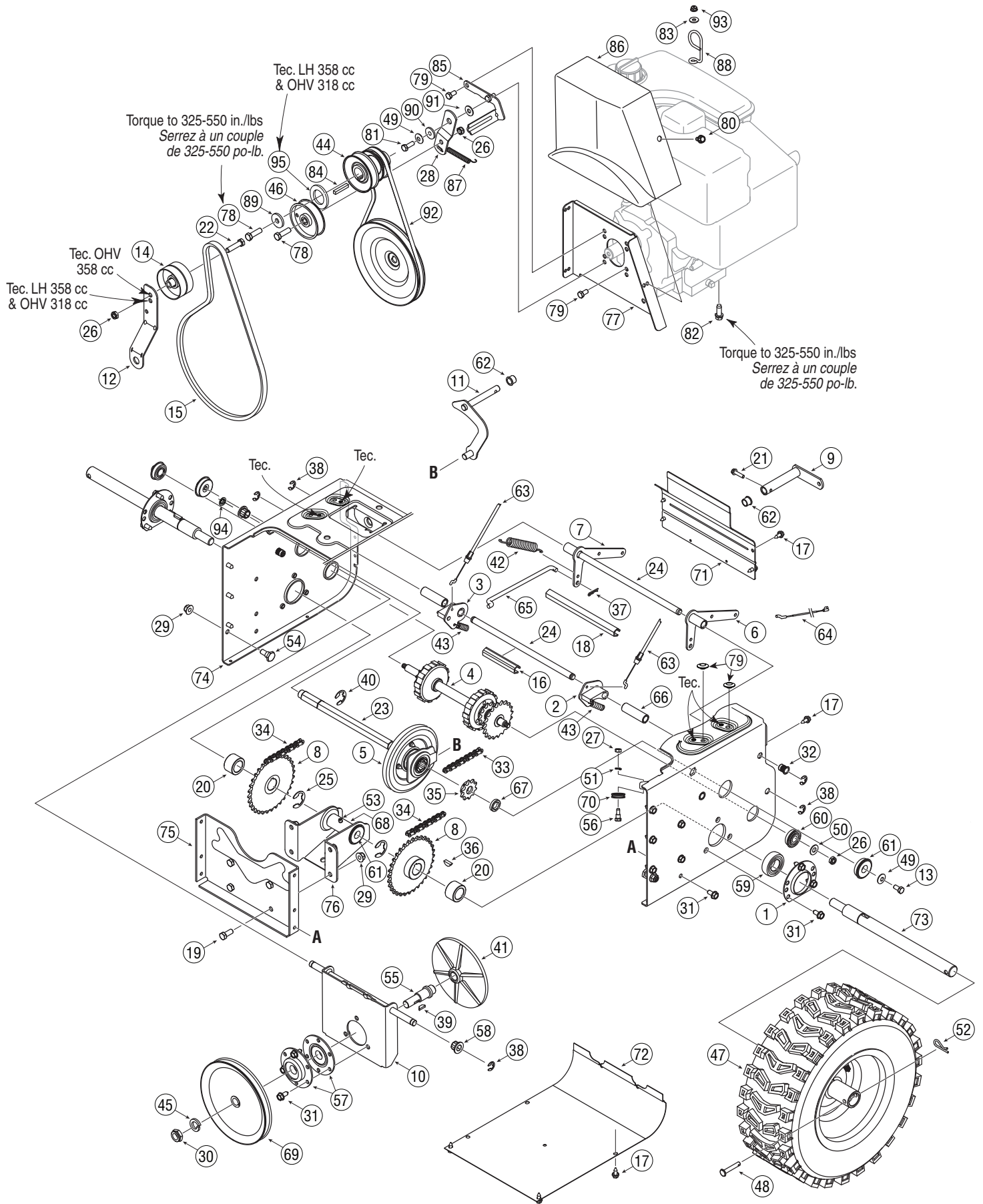


STYLE #3



| REF NO. N° DE RÉF. | PART NO. N° DE PIÈCE | DESCRIPTION | DESCRIPTION |
|--------------------|----------------------|--|--|
| 1 | (*) 731-1873A | Yellow Handle Panel | Panneau-jaune |
| 2 | (*) 731-2298 | Black Handle Panel | Panneau-noir |
| 3 | 712-04063 | Hex Flange Locknut 5/16-18 Gr. F Nylon | Contre-écrou à embase 5/16 - fil. 18 Qual. F |
| 4 | 710-1003 | Hex Tapp Wash Hd. Scr. #10 x 5/8 | Vis n° 10 x 5/8 |
| 5 | 625-0007A | Top Mounting Halogen Lamp Assembly | Phare à iode |
| 6 | 725-0586 | Lamp Housing | Logement du phare |
| 7 | 725-1300 | Sealed Beam 18 Watt CGE #4414-1 | Phare-scellé (CGE no 4414-1, 18 watt) |
| 8 | 736-0119 | L-Wash 5/16 ID | Rondelle frein 5/16 DI |
| 9 | 736-0329 | L-Wash 1/4 ID | Rondelle frein 1/4 DI |
| 10 | | Ground Wire | Fil de terre |
| 11 | 725-1301A | Top Mount 18 watt Lamp Ass'y (sealed beam) | Phare (18 watt) |
| 12 | 712-3010 | Hex Nut 5/16-18 hd. Gr. 5 | Écrou hexagonal 5/16-18 Qual. 5 |
| 13 | 712-0138 | Hex Nut 1/4-28 Gr 5 | Écrou hexagonal 1/4-28 Qual. 5 |
| 14 | 736-0159 | Flat Wash .349 ID x .879 OD x .063 | Rondelle plate 0,349 DI x 0,879 DE x 0,063 |
| 15 | 710-0559 | Hex Screw 1/4-28 x 1.75 Gr 5 | Vis à tête hex. 1/4-28 x 1,75 Qual. 5 |
| 16 | 710-0276 | Carriage Bolt 5/16-18 x 1.00" Lg | Boulon ordinaire de 5/16-18 x 1,00 po de lg |
| 17 | 710-0451 | Carriage Bolt 5/16-18 x .75 | Boulon ordinaire 5/16-18 x 0,75 |
| 18 | 735-0225 | Grommet .38 ID X .50 OD X .12 | «Grommet» 0,38 DI x 0,50 DE x 0,12 |
| 19 | 705-5217 | Lamp Mounting Brkt. | Support de montage du phare |
| 20 | 725-1669 | Lamp/Lens Housing Ass'y | Boîtier du phare/optique |
| 21 | 731-1364 | Halogen Lamp Housing | Boîtier du phare à iode |
| 22 | 710-1240 | Phillips Pan Hd. Scr. M4 x 16mm | Vis Phillips à tête cylindrique M4 x 16mm |
| 23 | 725-1658 | Bulb #890, 12 V, 27 Watt | Bulbe n° 890 |

* w/hole for top mounting light and chute tilt cut out
avec trou de montage du phare et pour goulotte inclinable



| REF NO. N° DE RÉF | PART NO. N° DE PIÈCE | DESCRIPTION | DESCRIPTION |
|----------------------|-------------------------|---|--|
| 1 | 05244B | Bearing Housing | Boîtier de roulement |
| 2 | 618-0279 | LH Dog Assembly | Bride gauche |
| 3 | 618-0280 | RH Dog Assembly | Bride droite |
| 4 | 618-0282E | Steering Shaft Assembly | Arbre de direction |
| 5 | 618-04178 | Wheel Ass'y Bearing 6.0" OD | Roulement 6,0 po diam. |
| | 718-04034 | Friction Wheel Bonded | Roue de friction |
| | 710-0896 | Hex Wash. Hd. TT Scr. 1/4-14 x .625 | Vis taraudée 1/4-14 x 0,625 |
| 6 | 684-0118B | Actuator Auger Bracket Ass'y | Support |
| 7 | 684-0119B | Actuator Drive Bracket Ass'y | Support |
| 8 | 684-04235 | 32T Sprocket Ass'y | Pignon-32 dents |
| 9 | 684-0161 | Shift Arm Ass'y | Bras de commande |
| 10 | 684-04212 | Friction Drive Support | Support |
| 11 | 684-04103 | Shift Ass'y Rod | Tige de commande |
| 12 | 784-0385B | Auger Idler Bracket | Support de tension de la tarière |
| 13 | 710-0538 | Hex L-Bolt 5/16-18 x .62 | Boulon hex 5/16-18 x 0,62 |
| 14 | 756-0178 | Flat Idler Pulley | Poulie de tendeur plate |
| 15 | 754-0222A | V-Belt 1/2 x 44" Lg. (358 cc OHV) | Courroie trapézoïdale 1/2 x 44(358 cc OHV)) |
| | 754-04131 | V-Belt 1/2 x 42" Lg. (358 cc L-Head & 318 cc OHV) | Courroie trapézoïdale 1/2 x 42 (358 cc L-Head & 318 cc OHV) |
| 16 | 750-04718 | Spacer .51 ID x 3.66" Lg. | Entretoise 0,51 DI x 3,66 po de lg. |
| 17 | 710-1652 | Hex Wash Hd TT Scr. 1/4-20 x .625 | Vis taraudée 1/4-20 x 0,625 |
| 18 | 750-04717 | Spacer .51 ID x 7.895" Lg. | Entretoise 0,51 DI x 7,895 po de lg. |
| 19 | 710-3001 | Hex Hd. C-Sunk Scr. 3/8-16 x .880 Gr. 5 | Vis à chapeau 3/8-16 x 0,880 po de lg |
| 20 | 750-04703 | Spacer 1.0 ID x 1.5" Lg. | Entretoise 1,0 DI x 1,50 po de lg. |
| 21 | 710-0788 | Hex Bolt 1/4-20 x 1.00 | Vis à tête hex 1/4-20 x 1,00 |
| 22 | 710-0459A | Hex Scr 3/8-24 x 1.50 Gr. 5 | Vis à tête hexagonale 3/8-24 x 1,50 Qual. 5 |
| 23 | 711-04279 | Hex Drive Shaft | Arbre d'entraînement |
| 24 | 711-04605 | Actuator Shaft | Arbre |
| 25 | 716-04048 | Retaining Ring | Bague de retenue |
| 26 | 712-0116 | Hex Nut 3/8-24 | Écrou hexagonal 3/8-24 |
| 27 | 712-0138 | Hex Nut 1/4-28 | Écrou hexagonal 1/4-28 |
| 28 | 784-5726 | Drive Idler Bracket | Support |
| 29 | 712-04065 | Flange L-Nut 3/8-16 Gr. F Nylon | Contre-écrou à embase 3/8-16 Qual. F nylon |
| 30 | 712-0413 | Hex Jam Locknut 5/8-18 Gr. 5 Nylon | Contre-écrou de blocage 5/8-18 Qual. 5 |
| 31 | 710-04484 | TT Screw, 5/16-18 x .75 | Vis taraudée 5/16-18 x 0,75 |
| 32 | 712-0717 | Nut Insert 3/8-16 UNC | Écrou inserer 3/8-16 UNC |
| 33 | 713-0284 | #41 Chain 1/2" pitch x 36 links- Endless | Chaîne n° 41, pas de 1/2 po x 36 maillons |
| 34 | 713-0286 | #420 Chain 1/2" pitch x 40 links-Endless | Chaîne n° 420, pas de 1/2 po x 40 maillons |
| 35 | 713-04015 | 10T Sprocket #41 x .500 | Pignon, 10 dents |
| 36 | 714-0135 | Woodruff Key | Clavette |
| 37 | 714-0104 | Int. Cotter Pin 5/16 DIA | Goupille fendue 5/16 DIA. |
| 38 | 716-0104 | E-ring | Bague en «E» |
| 39 | 714-0388 | No. 61 Hi-Pro Key 3/16 x 5/8 | Clavette Hi-Pro N° 61-3/16 x 5/8 |
| 40 | 716-0136 | Retaining Ring E-Type .875 dia. | Bague en «E» 0,875 dia. |
| 41 | 717-0302 | Aluminum Drive Plate | Plaque d'entraînement en aluminium |
| 42 | 732-0121 | Idler Extension Spring | Ressort extérieur de tendeur |
| 43 | 732-0209 | Extension Spring .47 OD x 2.03 Lg. | Ressort d'extension 0,47 DE x 2,03 po de lg |
| 44 | 756-0241B | Pulley, Dbl 3.25 OD | Poulie 3,25 DE |
| 45 | 736-0158 | Lockwasher 5/16 ID | Rondelle frein 5/16 DI |
| 46 | 756-0240 | Flat Idler Pulley 3.0 OD | Poulie tendeur 3,0 DE |
| 47 | | See Chart below | Voir le tableau ci-dessous |
| 48 | 711-04615 | Clevis Pin | Axe de chape |
| 49 | 736-0242 | Cupped Washer .345 ID x .88 OD x .06 | Rondelle creuse 0,345 DI x 0,88 DE x 0,060 |
| 50 | 736-0300 | Flat Washer .385 ID x .87 OD x .06 | Rondelle plate 0,385 DI x 0,87 DE x 0,06 |
| 51 | 736-0329 | L-Wash 1/4 ID | Rondelle frein 1/4 DI |
| 52 | 714-0149B | Int. Cotter Pin | Goupille fendue |
| 53 | 737-3000 | Grease | Graisse |
| 54 | 738-0143 | Shld. Scr. .500 Dia. x .335" Lg. | Vis à épaulement 0,500 po x 0,335 po de lg |
| 55 | 738-0279 | Drive Plate Spindle | Fusée de plaque d'entraînement |
| 56 | 738-0924A | Hex Shld.Scr.1/4-28 x .375 | Vis à épaulement 1/4-28 x 0,375 |
| 57 | 741-0163A | Bearing Hsg. Ass'y. | Boîtier à roulement à billes |
| 58 | 741-04108 | Hex Flange Bearing | Roulement |
| 59 | 741-04025 | Self aligning brg. 1.0 ID | Palier à alignement automatique |
| 60 | 741-04076 | Ball Bearing .5625 ID x 1.3750 x .437 | Roulement à billes 0,5625 DI x 1,3750 x 0,437 |
| 61 | 741-0563 | Ball Bearing w/snap ring | Roulement à billes avec bague |
| 62 | 741-0748 | Flange Bushing .500 ID x .627 OD | Coussinet 0,500 DI x 0,627 DE |
| 63 | 746-0949A | Steering Cable | Câble |
| 64 | 746-0951 | Auger Idler Cable | Câble |
| 65 | 747-0973 | Drive Clutch Rod | Tige d'entraînement |

10

Parts List Pièces détachées



For parts and/or accessories refer to customer support on page 2.

Adressez-vous au «Service après-vente» à la page 2 pour ce qui concerne les pièces et/ou accessoires.

Continued on next page/Suite à la page prochaine

| REF NO. N° DE RÉF | PART NO. N° DE PIÈCE | DESCRIPTION | DESCRIPTION |
|----------------------|-------------------------|--|--|
| 66 | 750-0903B | Split Spacer 1/2 x 5/8 x 2.69 | Entretoise 1/2 x 5/8 x 2,69 |
| 67 | 750-0997 | Spacer .625 ID x 1.0 OD x .23 | Entretoise 0,625 DI x 1,0 DE x 0,23 |
| 68 | 750-1302B | Spacer .6725ID x 1.125OD x 2.485 | Entretoise 0,6725 DI x 1,125 DE x 2,485 po de lg. |
| 69 | 756-0344 | 1/2" "V" Pulley .625 ID x 7.50 OD | Poulie de 1/2 po 0,625 DI x 7,50 DE |
| 70 | 756-0625 | Cable Guide Roller | Galet de guidage |
| 71 | 790-00257 | Upper Frame Cover | Couvercle du châssis supérieur |
| 72 | 790-00259 | Lower Frame Cover | Couvercle du châssis inférieur |
| 73 | 711-04608 | Axle .995 x 12.6" Lg. (28") | Essieu 0,995 x 12,6" po de lg. (28 po) |
| | 711-04607 | Axle.995 x 14.10" Lg (30" & 33") | Essieu 0,995 x 14,10" po de lg. (30 po et 33 po) |
| | 711-04606 | Axle .995 x 20.4" Lg. (45") | Essieu 0,995 x 20,4" po de lg. (45 po) |
| 74 | 790-00255A | Transmission Frame Ass'y (900) | Bâti (900) |
| 75 | 784-0406A | Frame Support Bracket | Support |
| 76 | 784-0407 | Axle Brg. Support Bracket | Support de roulement |
| 77 | 790-00254 | Belt Cover Bracket | Support de couvercle |
| 78 | 710-0191 | Hex Screw 3/8-24 x 1.25 Gr. 8 Special | Vis à tête hexagonale 3/8-24 x 1,25 Qual. 8 spéc. |
| 79 | 710-0237 | Hex Screw 5/16-24 x .625 Gr. 5 | Vis à tête hexagonale 5/16-24 x 0,625 Qual. 5 |
| 80 | 710-0607 | Hex Wash HD S-Tapp Scr 5/16-18 x .50 | Vis auto-taraudeuse hexagonal 5/16-18 x 0,50 |
| 81 | 710-1245B | Hex HD. Cap Scr. 5/16-24 x 0.875 Lg. Gr 8 | Vis à tête hexagonal 5/16-24 x 0,875 po de lg Qual. 8 |
| | 710-0672 | Hex HD. Cap Scr. 5/16-24 x 1.25 Lg. Gr 5 (358 cc L- Head & 318 cc OHV) | Vis à tête hexagonal 5/16-24 x 1,25 po de lg Qual. 5 (358 cc L- Head & 318 cc OHV) |
| 82 | 710-0654A | Hex Wash HD Tap Scr 3/8-16 x 1.00 | Vis autotaraudée 3/8-16 x 1,00 |
| 83 | 736-0173 | Flat Washer .28 ID x .74 OD x .063 | Rondelle plate 0,28 DI x 0,74 DE x 0,063 |
| 84 | 714-0118 | Square Key 1/4 x 1/4 x 1.50" Lg. | Clavette 1/4 x 1/4 x 1,50 po de lg |
| 85 | 790-00167A | Belt Keeper Bracket | Support du protecteur de la courroie |
| 86 | 731-2531 | Belt Cover | Couvercle de la courroie |
| 87 | 732-0303 | Brake Return Ext. Spring 3.18" Lg. | Ressort d'alimentation 3/8 x 3,18 |
| 88 | 732-0705 | Cable Control Wire | Fil de commande de la câble |
| 89 | 736-0247 | Flat Washer .406 ID x 1.25 OD x .160 | Rondelle plate 0,406 DI x 1,25 DE x 0,160 |
| 90 | 748-0234 | Shoulder Spacer .25 THK | Entretoise épaulée |
| 91 | 736-0159 | Flat Washer .349 x .879 x .063 (358 cc OHV) | Rondelle plate 0,349 x 0,879 x 0,063 (358 cc OHV) |
| | 748-0418 | Spacer .33 ID x 1.01 OD x .36 (358 cc L-Head & 318 cc OHV) | Entretoise 0,33 DI x 1,01 DE x 0,36 (358 cc soupapes latérales & 318 cc OHV) |
| 92 | 754-0131 | V-Belt 3/8 x 35.5" Lg. (358 cc OHV) | Courroie trapézoïdale 3/8 x 35,5 po de lg (358 cc OHV) |
| | 754-0367 | V-Belt 3/8 x 34.4" Lg. (358 cc L- Head & 318 cc OHV) | Courroie trapézoïdale 3/8 x 34,4 po de lg (358 cc soupapes latérales & 318 cc OHV) |
| 93 | 712-04064 | Hex Flg. L-Nut 1/4-20 Gr. F Nylon | Contre-écrou à embase 1/4-20 Qual. F nylon |
| 94 | 726-0221 | Speed Nut .50 | Écrou rapide 0,50 |
| 95 | 750-1184A | Spacer 1.02 x 1.63 x .1425 (358 cc L- Head & 318 cc OHV) | Entretoise 1,02 x 1,63 x 0,1425 (358 cc soupapes latérales & 318 cc OHV) |
| 96 | 735-04099 | Plug 3/8" | Bouchon 3/8 |

31A-9005
7.9.07

| Model Modèle | Wheel Assembly Ensemble de roue | Description Description | Tire Roue | Rim Jante | Bearing Roulement | Valve Valve |
|-----------------|------------------------------------|----------------------------|--------------|--------------|----------------------|----------------|
| 31AE9O6 | 634-0225A (LH) | 16 x 6.5 x 8 X-Trac | 734-2031 | 734-1124A | 741-0246A | 734-0255 |
| 31AH9O6 | 634-0226A (RH) | 16 x 6.5 x 8 X-Trac | 734-2031 | 734-1124A | | |
| 31BE9O6 | | | | | | |
| 31AE9N6 | | | | | | |
| 31BE9N6 | | | | | | |
| 31AE9OK | | | | | | |
| 31AE9P3 | | | | | | |
| 311AE9P6 | | | | | | |
| 31BE9P6 | | | | | | |
| 31AH9PK | | | | | | |
| 31AH9P7 | | | | | | |
| 31BE9M6 | 634-04179A (LH) | 16 x 4.8 x 8 X-Trac | 734-2038 | 734-1532 | 741-0246A | 734-0255 |
| 31AE9M6 | 634-04180A (RH) | 16 x 4.8 x 8 X-Trac | 734-2038 | 734-1532 | | |

5.23.07

NOTES:



For parts and/or accessories refer to customer support on page 2.

Adressez-vous au «Service après-vente» à la page 2 pour ce qui concerne les pièces et/ou accessoires.

For parts and/or accessories refer to customer support on page 2. Adressez-vous au «Service après-vente» à la page 2 pour ce qui concerne les pièces et/ou accessoires.



NOTES:

GARANTIE SUPRÊME DE QUATRE ANS

MTD PRODUCTS LIMITED s'engage à réparer ou à remplacer gratuitement, à son choix, à l'acheteur initial, la ou les pièces qui s'avèrent défectueuses en raison d'un vice de matière ou de fabrication dans les quatre ans qui suivent la date d'achat au détail au Canada. Cette garantie s'applique seulement aux machines qui ont été utilisées et entretenues conformément aux instructions publiées dans la notice d'utilisation accompagnant la machine, qui n'ont pas fait l'objet d'un emploi incorrect ou abusif, de négligence, d'un entretien inadéquat ou de modification, qui n'ont pas été accidentées et qui n'ont pas été utilisées à des fins commerciales. Les pièces courantes font l'objet de conditions spéciales énumérées ci-dessous dans la clause «Garantie de quatre-vingt-dix jours au consommateur».

Le moteur, le moteur de démarrage ainsi que ses composants font l'objet d'une garantie séparée de leurs fabricants respectifs. Veuillez consulter les conditions de garantie du fabricant en ce qui concerne ces pièces.

«Garantie de quatre-vingt-dix jours au consommateur» des pièces courantes: Toutes les pièces courantes sont protégées pendant 90 jours. À l'expiration du délai de 90 jours, mais avant la fin de la période de garantie de deux quatre, les pièces courantes sont protégées si leur défaillance résulte du vice de matière ou de fabrication d'une autre pièce. Par pièces courantes, on entend les batteries, les courroies, les lames, les adaptateurs de lame, les sacs à herbe, les roues du plateau de coupe des tondeuses à siège, les sièges, les pneus et les pièces de l'embrayage (roues de

Garantie complète de quatre-vingt-dix jours sur la batterie (le cas échéant): MTD s'engage à remplacer gratuitement à l'acheteur initial, pour une période de quatre-vingt-dix (90) jours à compter de la date d'achat au détail, toute batterie fournie avec cette machine qui s'avère défectueuse en raison d'un vice de matière ou de fabrication ou de fabrication et après que nos tests aient confirmé qu'elle ne peut maintenir une charge.

Garantie limitée supplémentaire de trente jours sur la batterie (le cas échéant): MTD s'engage, à l'expiration de la période de quatre-vingt-dix (90) jours et avant la fin d'une période de cent vingt (120) jours à compter de la date d'achat, à remplacer la batterie défectueuse à l'acheteur initial, pour la moitié (1/2) du prix de détail en vigueur de la batterie à la date du retour de celle-ci.

Utilisation personnelle: LES PARAGRAPHES PRÉCÉDENTS CONSTITUENT LA GARANTIE COMPLÈTE DU FABRICANT COUVRANT TOUTE MACHINE ACHETÉE ET UTILISÉE À DES FINS PERSONNELLES, FAMILIALES, DOMESTIQUES/RÉSIDENTIELLES ET NON COMMERCIALES.

Utilisation commerciale: TOUTES LES UTILISATIONS AUTRES QUE L'UTILISATION PERSONNELLE TELLE QUE DÉCRITE CI-DESSUS SONT CONSIDÉRÉES COMMERCIALES.

Les machines neuves achetées à des fins commerciales sont garanties de la même manière et dans les mêmes conditions, MAIS pour une durée de 90 jours à compter de la date d'achat.

Pour obtenir le service sous garantie: Tout concessionnaire-réparateur agréé par MTD est en mesure d'assurer tout service garantie sur présentation d'une preuve d'achat. Si vous ne connaissez pas le concessionnaire-réparateur de votre localité, adressez-vous au service après-vente, MTD PRODUCTS LIMITED, C. P. 1386, KITCHENER (ONTARIO) N2G 4J1. Une machine complète ne peut être retournée à l'usine que si elle est accompagnée d'une autorisation écrite préalable de MTD PRODUCTS LIMITED.

Autres garanties: Toutes les autres garanties, exprimées ou tacites, y compris les garanties tacites de qualité marchande, se limitent à la durée stipulée dans la garantie limitée exprimée. Les conditions stipulées dans cette garantie représentent les seules obligations de MTD PRODUCTS LIMITED découlant de la vente de ses produits. MTD PRODUCTS LIMITED n'est pas responsable de toute perte ni de tout dommage indirect ou accidentel.

Le non-respect des conseils d'entretien et de lubrification annule la garantie.



Garantie

6

| Problème | Cause(s) | Solution |
|-------------------------------------|--|---|
| Le moteur ne démarre pas | <ol style="list-style-type: none"> 1. Volet de départ n'est pas fermé. 2. Fil de la bougie débranché. 3. Réservoir vide ou essence éventée. 4. Bouton de l'amorceur n'étant pas employé correctement. 5. Bougie défectueuse. 6. Canalisations de carburant bouchées. 7. La clé de contact du moteur n'est pas mise. 8. Robinet d'arrivée de carburant fermé. | <ol style="list-style-type: none"> 1. Sélectionner la position "volet de départ". 2. Branchez le fil de la bougie. 3. Faites le plein avec une essence propre et fraîche. 4. Consultez le chapitre "Utilisation de la Souffleuse". 5. Nettoyez, réglez l'écartement ou remplacez la bougie. 6. La nettoyer. 7. Mettez la clé. |
| Fonctionnement irrégulier | <ol style="list-style-type: none"> 1. Machine fonctionnant avec le volet de départ fermé. 2. Canalisations de carburant bouchées ou essence éventée. 3. Eau ou saleté dans le système d'essence. 4. Carburateur est mal réglé. | <ol style="list-style-type: none"> 1. Enlever de la position "volet de départ". 2. Nettoyez la canalisation; faites le plein avec une essence propre. 3. Débranchez la canalisation d'essence au carburateur pour vider le réservoir d'essence. Faites le plein avec une essence fraîche. 4. Adressez-vous à une station |
| Moteur surchauffe | <ol style="list-style-type: none"> 1. Carburateur est mal réglé. | <ol style="list-style-type: none"> 1. Adressez-vous à une station technique. |
| Vibration excessives | <ol style="list-style-type: none"> 1. Pièces desserrées ou vis sans fin endommagées. | <ol style="list-style-type: none"> 1. Arrêtez immédiatement le moteur et débranchez le fil de la bougie. Serrez tous les boulons et écrous. Si les vibrations persistent, faites vérifier la machine par une station technique agréée. |
| Perte de puissance | <ol style="list-style-type: none"> 1. Fil de la bougie desserré. 2. Chapeau d'échappement du trou d'aération bouché. 3. Le port d'échappement est bouché. | <ol style="list-style-type: none"> 1. Branchez et serrez le fil de la bougie. 2. Dégagez la glace et la neige du chapeau. Assurez-vous de la propreté du trou d'aération. 3. Adressez-vous à une station technique. |
| La souffleuse n'avance pas | <ol style="list-style-type: none"> 1. Câble d'entraînement mal réglé. 2. Courroie d'entraînement abîmée ou ayant du jeu. | <ol style="list-style-type: none"> 1. Réglez le câble d'entraînement. Voir le Réglages. 2. Remplacez la courroie d'entraînement. |
| La souffleuse n'évacue pas la neige | <ol style="list-style-type: none"> 1. Goulotte d'évacuation bouchée. 2. Présence de corps étranger dans la tarière. 3. Câble d'entraînement de la tarière mal réglé. 4. Courroie d'entraînement de la tarière abîmée ou ayant du jeu. 5. Goupille de cisaillement est cisailée. | <ol style="list-style-type: none"> 1. Arrêtez immédiatement le moteur et débranchez le fil de la bougie. Nettoyez la goulotte d'évacuation et l'intérieur du logement de la tarière. 2. Arrêtez immédiatement le moteur et débranchez le fil de la bougie. Dégagez le corps étranger de la tarière avec l'outil de dégagement de la goulotte ou un bâton. 3. Voir Test de commande de la tarière. 4. Voir le Régime d'entretien. 5. Remplacez la goupille de cisaillement. |

Dépannage



8

REMARQUE: Ce chapitre concerne des problèmes d'entretien mineurs. Pour plus de détails, adressez-vous au service après-vente.

- Procédez comme suit pour préparer la souffeuse avant de la remiser.
- Videz le carburant à l'extérieur dans un récipient homologué, à distance de toute flamme nue. As-surez-vous que le moteur a refroidi. Ne fumez pas et éteignez toute source de chaleur incandescente avant de vider le carburant. Tout carburant restant dans le réservoir par temps chaud se détériorera et causera de graves problèmes au démarrage.
 - Si la machine doit être entreposée pendant plus de 30 jours, préparez-la selon les instructions fournies dans la notice d'utilisation du moteur qui accompagne votre souffeuse.
 - Laissez tourner le moteur jusqu'à ce qu'il s'arrête pour cause de panne d'essence.
 - Videz toute l'essence du carburateur et du réservoir pour éviter la formation de dépôts de gomme qui pourraient causer le mauvais fonctionnement du moteur.
 - Videz le carburateur en appuyant sur l'évacuation qui se trouve sous le couvercle du carburateur.
 - Les agents de stabilisation du carburant (STA-BIL® par exemple) offrent une solution acceptable pour minimiser la formation de dépôts de gomme pendant le remisage. Ne videz pas le carburateur si vous décidez d'utiliser un agent de stabilisation du carburant.
 - Essayez la machine avec un chiffon imbibé d'huile pour empêcher la formation de rouille.
 - Retirez la bougie et versez une once d'huile à moteur dans le trou de la bougie de la chemise. Recouvrez le trou avec un chiffon et faites tourner le moteur plusieurs fois pour bien répartir l'huile. Remettez la bougie en place.
 - Suivez les instructions concernant la lubrification dans le chapitre sur l'entretien.
 - Entrez la souffeuse dans un endroit sec et propre.

AVERTISSEMENT



Remisage hors saison



N'entreposez jamais le moteur avec du carburant dans le réservoir à l'intérieur ou dans des endroits fermés si la ventilation n'est pas adéquate et si les vapeurs de carburant peuvent venir en contact avec une flamme ou une étincelle ou veillez à un chauffe-eau, un radiateur, un fourneau, un sèche-linge ou autre appareil à gaz.

Videz le carburant à l'extérieur dans un récipient homologué, à distance de toute flamme nue. Assurez-vous que le moteur a refroidi. Ne fumez pas. Tout carburant restant dans le réservoir par temps chaud se détériorera et causera de graves problèmes au démarrage.

Ne videz pas le carburateur si vous utilisez un stabilisateur de carburant. N'utilisez jamais des produits de nettoyage du moteur ou du carburateur pour nettoyer le réservoir de carburant car vous pouvez causer des dégâts permanents.

Remontez la machine en effectuant les étapes précédentes dans l'ordre inverse.

Changement de la bague en caoutchouc roue de frottement

- Videz l'essence de la souffluse ou placez un morceau de plastique sous le bouchon d'essence.
- Basculez la souffluse vers l'avant pour la faire reposer sur l'habitacle.
- Enlevez les vis auto-taranduses du couvercle du châssis, sous la souffluse.
- Enlevez la roue droite et dégagez celle-ci de l'essieu.
- Utilisez une clé de 3/4 po pour maintenir l'arbre hexagonal, puis retirez la vis à tête hex. et la rondelle creuse du côté gauche du châssis. Voir la Figure 32.

- Tenez la roue de frottement et dégagez l'arbre hexagonal de la machine en le glissant vers le côté droit. La rondelle d'écartement sur la gauche de l'arbre hex. va tomber et le pignon devrait rester accroché dans la chaîne.
- Dégagez la roue de frottement entre l'arbre de l'essieu et l'arbre d'entraînement.
- Enlevez les quatre vis de l'ensemble de la roue de frottement et retirez le caoutchouc de la roue de frottement de la plaque de serrage. Voir la Figure 33.
- Jetez le vieux caoutchouc.

- Installez le nouveau caoutchouc de la roue de frottement sur la roue de frottement. Serrez les quatre vis d'une après l'autre dans l'ordre avec une force égale. Pour la propre fonctionnement, il est très important que la bague de caoutchouc soit bien montée de façon symétrique.
- Positionnez la roue de frottement sur la goupille du levier de vitesses. Voir la Figure 34.
- Faites passer l'arbre hexagonal à travers le côté droit de l'habitacle et à travers la roue de frottement.
- Glissez l'arbre hexagonal dans le trou du pignon, dans la rondelle d'espacement et dans le roulement à billes du côté gauche. Assurez-vous que la chaîne engage le grand et le petit pignon.

- **REMARQUE:** Si le pignon est tombé de la souffluse pendant le démontage de l'arbre hex., placez le pignon sur l'arbre hex. Tournez le moyeu hex. du pignon vers la roue de frottement en glissant le pignon sur l'arbre hex.
- Faites glisser le roulement sur l'extrémité gauche de l'arbre hexagonal par l'extérieur du châssis et serrez le roulement dans le trou du côté gauche du châssis.
- Maintenez en place avec la rondelle creuse et le boulon hex. enlevé précédemment.

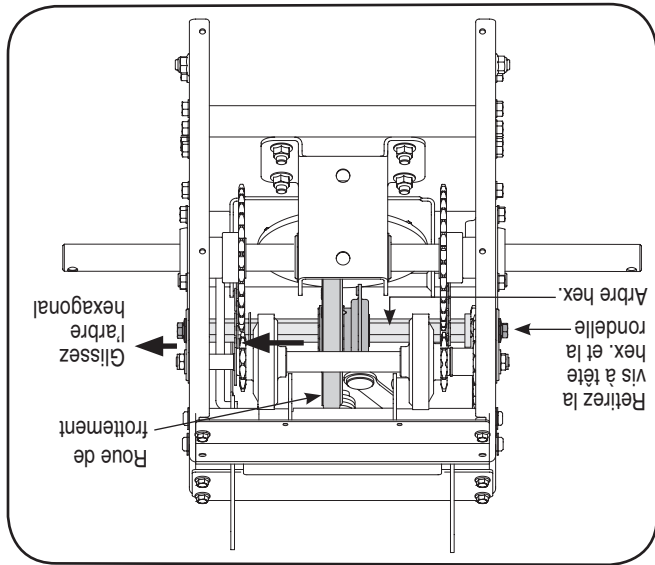


Figure 32

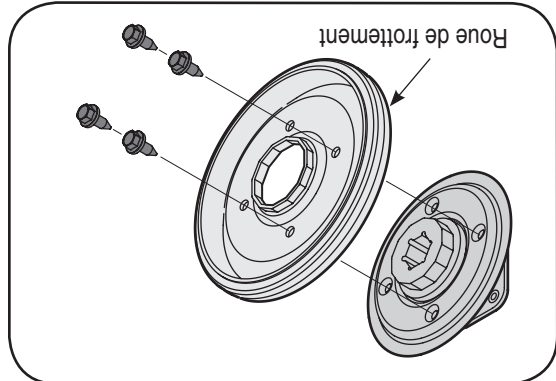


Figure 33

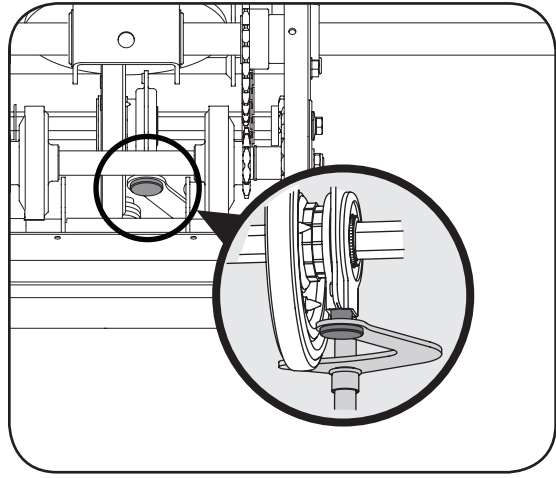


Figure 34

- Maintenez le couvercle du châssis en place avec les six vis auto-taranduses. Reposez la souffluse dans sa position de fonctionnement normale.
- **REMARQUE:** Si vous avez placé un morceau de plastique sous le bouchon d'essence plus tôt, enlevez-le maintenant.

AVERTISSEMENT



Régime d'entretien

6

La bague de caoutchouc de la roue de frottement a tendance à s'user et devrait être vérifiée après 25 heures de façon périodique. Remplacez la bague en caoutchouc de la roue de frottement dès l'apparition de signes d'usure ou si vous apercevez des fendillements.



AVERTISSEMENT

Arrêtez toujours le moteur, débranchez le fil de la bougie et mettez-le à la terre contre le moteur avant de nettoyer, de lubrifier ou d'effectuer un entretien quelconque sur la machine.



Consultez la partie concernant le Réglage final dans le chapitre Instructions de Montage après avoir remplacé la courroie d'entraînement et courroie d'entraînement de la tarière.

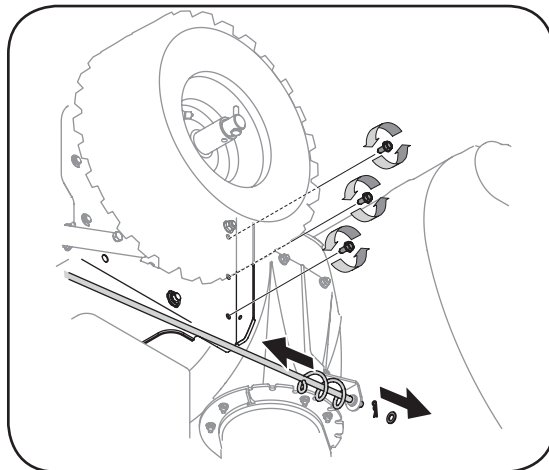


Figure 28

9. a. Utilisez une clé de 1/2 po pour enlever la vis à tête hex. et la rondelle du milieu de la poulie sur l'habillage de la tarière. Voir la Figure 30.
- b. Dégagez le support du frein de la gorge de la poulie.
- c. Enlevez la poulie. Faites attention de ne pas perdre la clavette.
10. Retirez et remplacez la courroie d'entraînement de la tarière.
11. Appliquez une couche de Loctite 262 sur les filets de la vis hex. utilisée pour installer la poulie des tarières.
12. Replacez la poulie sur l'habillage des tarières en utilisant la vis hex. et la rondelle. Serrez la vis à un couple de 250 à 325 po-lb.

REMARQUE: Vérifiez que le galet du frein est bien enfoncé dans la gorge de la poulie.

Si vous remplacez aussi la courroie d'entraînement, suivez les instructions du paragraphe « Courroie d'entraînement ». Sinon, procédez dans le sens inverse au démontage.

Réglage correct: Quand la commande de la tarière n'est pas enclenchée, la surface supérieure de la courroie neuve doit être de niveau avec la diamètre extérieur de la poulie.

1. Pour faire le réglage, dégagez la vis de support du frein et tournez-la vers la poulie de tension pour augmenter la tension de la courroie ou dans l'autre sens pour la réduire.

REMARQUE: Le galet du frein, qui fait partie du support du frein, doit toujours être bien enfoncé dans la gorge de la poulie quand la commande de la tarière n'est pas enclenchée.

IMPORTANT: Effectuez à nouveau le « Test de la commande des tarières » avant d'utiliser la souffeuse.

Courroie d'entraînement:

1. Éloignez la poulie de tension de l'arrière de la courroie d'entraînement pour relâcher la tension, puis dégagez la courroie de la poulie de tension. Voir la Figure 31.

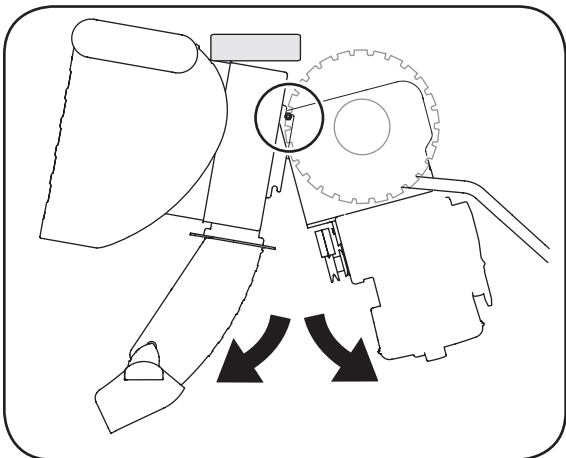


Figure 29

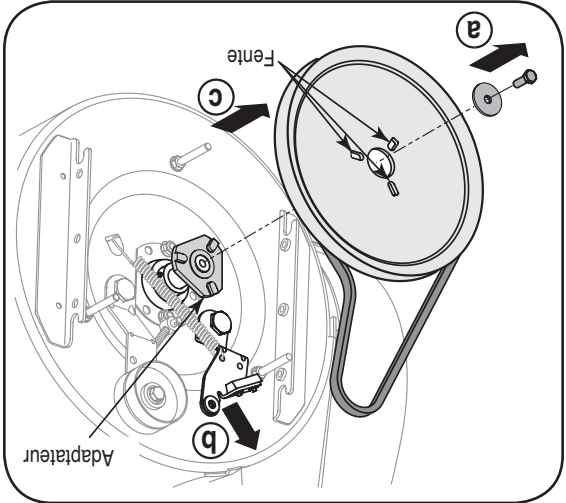


Figure 30

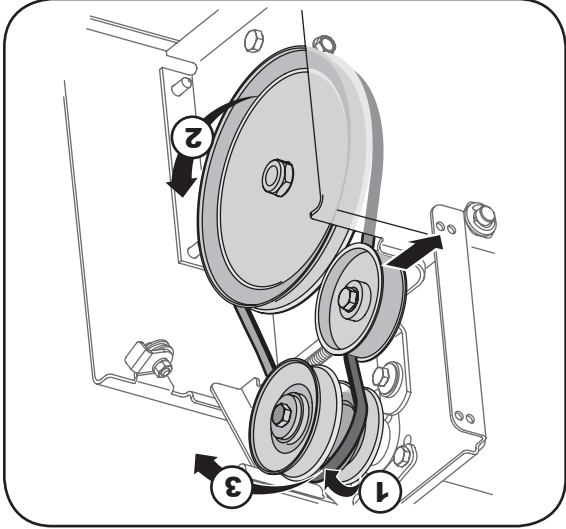


Figure 31

2. Dégagez la courroie d'entraînement de la poulie motrice et de la poulie d'entraînement du bas.
3. Installez la courroie neuve sur les poulies en procédant dans l'ordre inverse et ajustez la tension avec la poulie de tension.

Remplacement de les courroies

Pour démonter et remplacer la courroie des tarières ou la courroie d'entraînement, suivez les instructions ci-dessous et procédez selon les instructions données sous leurs rubriques respectives.

1. Débranchez la manivelle de la goulotte à la goulotte en retirant la goupille fendue et la rondelle plate. Voir la Figure 19.

2. Enlevez le couvre-courroie en plastique sur le devant du moteur en retirant les trois vis autotaraudeuses. Voir la Figure 23.

3. a. Desserrez le boulon, représenté à la Figure 24, qui maintient le support du guide de courroie, puis retirez l'autre boulon.
b. Éloignez le guide de courroie et le support de la poulie motrice. Voir la Figure 25.

Courroie d'entraînement de la tarière

4. Retirez la goupille fendue et la rondelle plate de la virole pour dégager la tige de tension de la tarière du support du train, comme à la Figure 26.

5. Dégagez la courroie d'entraînement de la tarière (courroie avant) de la poulie motrice.

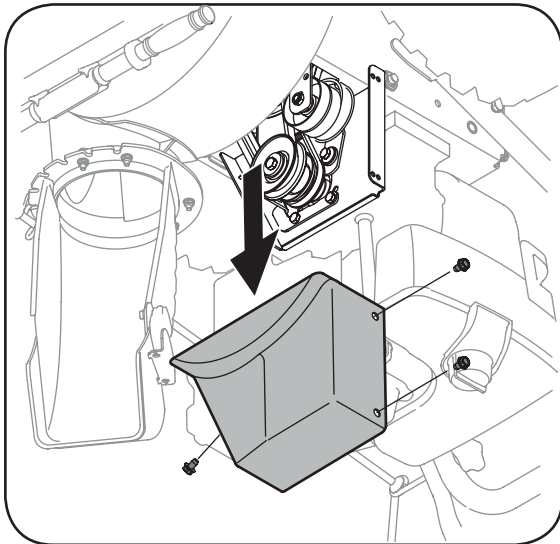


Figure 23

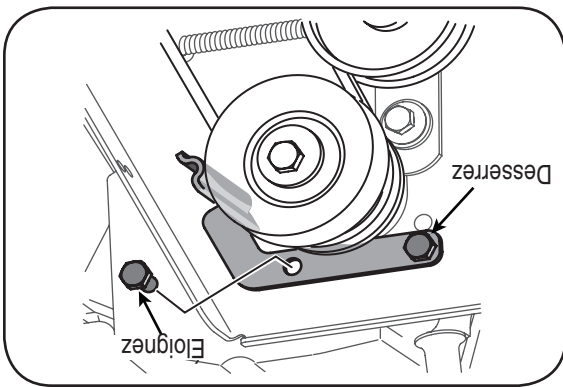


Figure 24

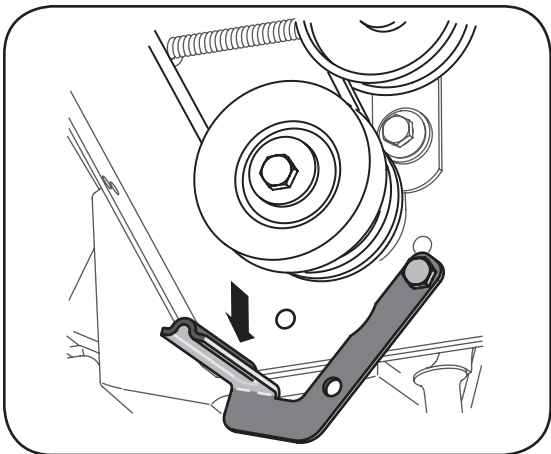


Figure 25

6. Tirez le support du train vers le gilet de guidage du câble et décrochez le raccord en «Z» du câble de la tarière. Voir la Figure 27.
7. Retirez les boulons du haut qui maintiennent l'habillage de la tarière sur le châssis. Utilisez une clé de 1/2es de po. Voir la Figure 28.
8. Placez une cale en bois sous l'habillage de la tarière, comme à la Figure 29 et séparez l'habillage de la tarière du châssis en faisant basculer l'habillage vers l'avant et en tirant sur les poignées, tirant sur les poignées.

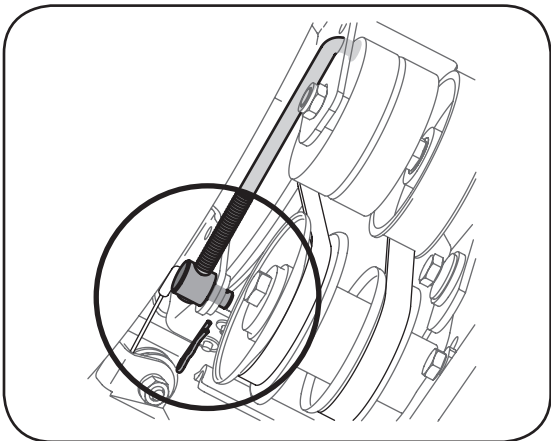


Figure 26

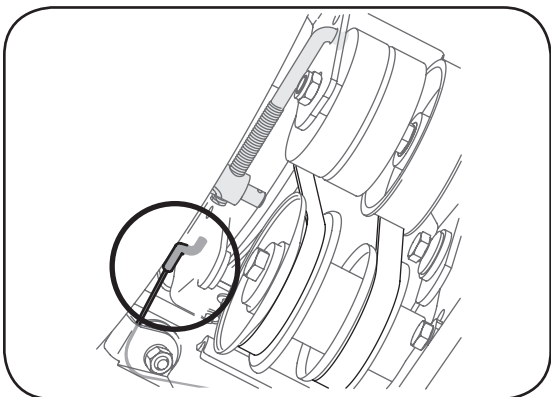


Figure 27

Régime

6

d'entretien



IMPORTANT

Ne remplacez JAMAIS

les goupilles de cisaillement avec des boulons ordinaires. Aucun dom-

mage à l'ensemble de la vis sans fin ou à

d'autres composants, en conséquences, ne

sera PAS couvert par la garantie de votre

souffleuse.

Vérifiez l'état de la

courroie des tarières et de la courroie

d'entraînement toutes les 25 heures

d'utilisation de la souffleuse. Remplacez

toute courroie qui paraît

usée.

Les caractéristiques

techniques peuvent être modifiées sans

préavis ni obligation. Les photos sont

fournies à titre indicatif seulement et peuvent

ne pas représenter votre modèle exact.

Lubrification

Mécanisme d'entraînement et de changement de vitesse

Démontez le capot arrière au moins une fois par saison ou toutes les 25 heures d'utilisation. Lubrifiez les chaînes, pignons, engrenages, roulements, arbres et le mécanisme de changement de vitesse au moins une fois par saison. Utilisez une huile à moteur ou un lubrifiant à vaporiser. Voir la Figure 20.

IMPORTANT: Évitez de répandre de l'huile sur la roue de frottement en caoutchouc et sur la plaque d'entraînement en aluminium.

Roues

Huilez ou vaporisez du lubrifiant sur les roulements des roues au moins une fois par saison. Démontez les roues, nettoyez et enduisez les essieux d'une graisse automobile à usages multiples.

Arbre de la tarière

Enlevez les gouppilles de cisaillement sur l'arbre de la tarière, au moins une fois par saison. Vaporisez un lubrifiant à l'intérieur de l'arbre et autour des entretoises. Lubrifiez aussi les roulements à bride trouvés à chaque extrémité de l'arbre de la tarière. Voir la Figure 21.

Tarières

- Gouppilles de cisaillement et gouppilles fendues maintiennent les tarières sur l'arbre de la tarière. Les gouppilles sont sensés se cisailier si la souffreuse heurte un objet ou un bloc de glace. Voir la Figure 21.
- Si les tarières ne tournent pas, vérifiez si les se sont cisailées. Deux gouppilles de cisaillement et deux gouppilles fendues de rechange sont fournis. Vaporisez un lubrifiant à base d'huile sur l'arbre avant d'installer les gouppilles.

Lame et patins

La lame plate et les patins sont installés sous la souffreuse et ils risquent de s'user. Vérifiez-les régulièrement et remplacez-les au besoin.

Pour démonter les patins:
1. Enlevez les boulons ordinaires (et rondelette plate le cas échéant) et contre-écrous à embase qui les maintiennent sur la souffreuse.
2. Remontez les nouveaux patins avec la boulonnerie enlevé précédemment. Assurez-vous que les patins sont ajustés pour être au niveau. Voir la Figure 22.

Pour démonter la lame plate:
1. Enlevez les boulons ordinaires et contre-écrous à embase qui la maintiennent sur l'habitacle de la souffreuse.
2. Installez la lame plate neuve en vous assurant que la tête des boulons ordinaires se trouve sur l'intérieur de l'habitacle. Serrez à fond.

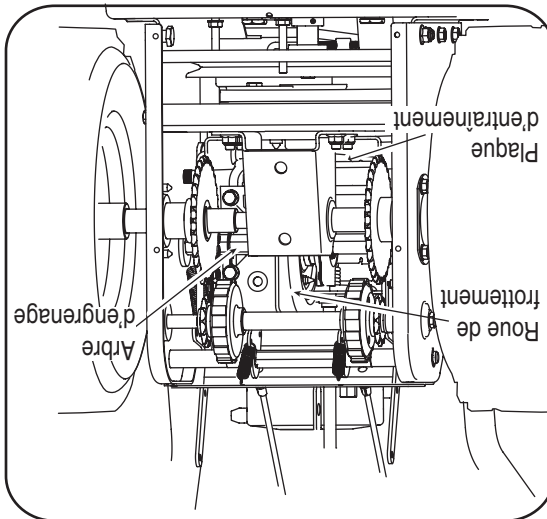


Figure 20

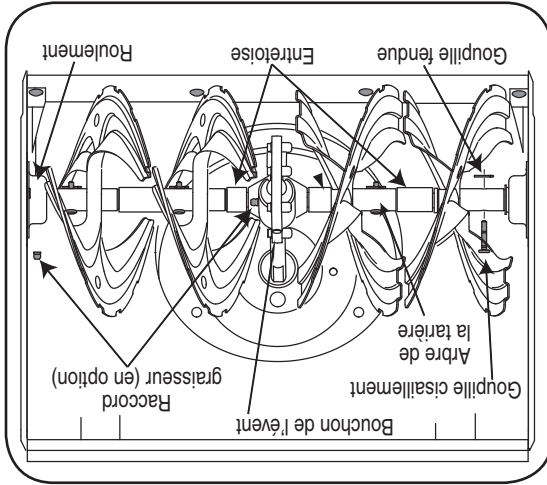


Figure 21

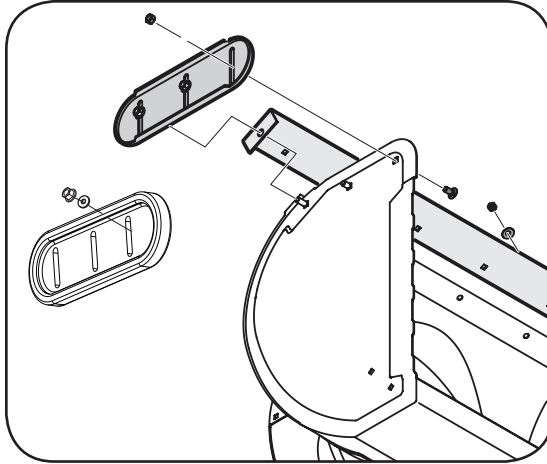


Figure 22

Moteur

Consultez la notice d'utilisation du moteur, fournie avec votre machine quant aux instructions d'entretien et lubrification du moteur.

6

Régime d'entretien



AVERTISSEMENT

Arrêtez toujours le moteur, débranchez le fil de la bougie et mettez-le à la terre contre le moteur avant de nettoyer, de lubrifier ou d'effectuer un entretien quelconque sur la machine.



Évitez de répandre de l'huile sur la roue de frottement en caoutchouc et sur la plaque d'entraînement.

Patins

L'espace entre la lame plate et le sol peut être modifié en

relevant ou en abaissant les patins.

Pour débayer la neige d'une surface lisse en béton ou

en goudron, placez les patins à la position basse. Utilisez

la position haute ou intermédiaire si la zone à dégager

est irrégulière. Sur une surface recouverte de gravier,

placez toujours les patins à la position la plus haute. Voir

la Figure 18.

Procédez comme suit pour ajuster les patins :

1. Desserrez les écrous à six pans qui maintiennent les

patins sur l'habillage de la tarière, mais ne les retirez

pas.

2. Relevez ou abaissez le patin à la position voulue.

3. Serrez les écrous à six pans desserrés plus tôt.

REMARQUE: Vérifiez que toute la surface inférieure des

patins est de niveau et en contact avec le sol pour éviter

leur usure inégale.

4. Répétez l'ajustement sur l'autre patin.

Commande de la tarière

Consultez les instructions à la page 9 pour ajuster la

commande de la tarière. Vérifiez bien que l'ajustement

est correct avant d'utiliser la souffeuse.

Goulotte d'éjection

Il est possible d'ajuster la distance de projection de la

neige en modifiant l'inclinaison de la goulotte. Référez-

vous au chapitre «Commandes de la souffeuse».

Les câbles de la commande à distance de la goulotte ont

été réglés à l'usine. Déplacez la commande à distance

d'avant en arrière sur le tableau de commande pour

ajuster l'angle de la goulotte.

Ajustement du support de la goulotte

Il est possible d'ajuster le support de la goulotte si la vis

sans fin, à la base de la commande de direction de la

goulotte, ne s'enclenche pas avec la goulotte. Procédez

comme suit :

1. Desserrez les deux écrous qui maintiennent le support

de la goulotte et ajustez légèrement la position de

celui-ci. Voir la Figure 19.

2. Resserrez les écrous.

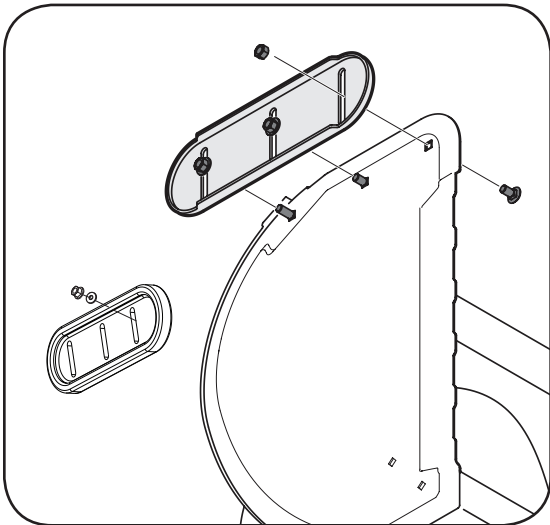


Figure 18

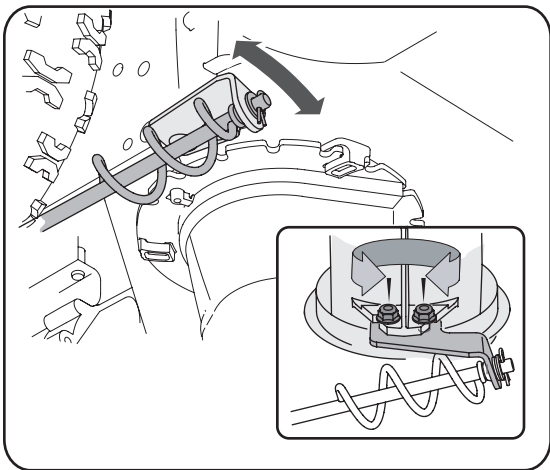


Figure 19

IMPORTANT: Il est déconseillé d'utiliser la souffeuse sur une surface recouverte de gravier qui, s'il est projeté par la tarière, peut causer des blessures corporelles et des dégâts matériels.

Si pour une raison quelconque, vous devez utiliser la souffeuse sur une surface recouverte de gravier, réglez les patins à la position la plus haute pour assurer un dégagement maximal entre le sol et la lame plate.



Réglages

5



Lisez, comprenez, et suivez toutes les instructions et les consignes sur la machine et dans ce notice avant le fonctionnement.

N'essayez jamais d'effectuer un réglage quelconque pendant que le moteur tourne, sauf en cas d'instructions spéciales dans la notice d'utilisation.

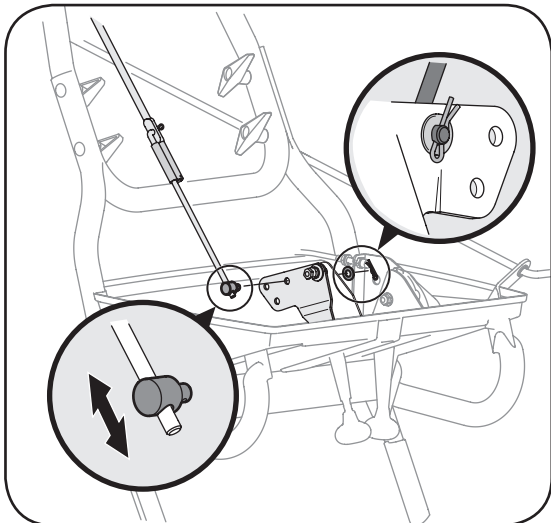


Figure 15

Tige du levier de vitesses

S'il n'est pas possible d'utiliser toutes les vitesses (avant et arrière), voir la Figure 15 et ajustez le levier de vitesses comme suit:

1. Regardez sous le tableau de bord et notez dans lequel des trois trous du levier de vitesses la virole a été insérée. Notez aussi le sens de l'insertion. Retirez ensuite la goupille fendue interne et la rondelle plate qui se trouvent sur la virole et dégagez la virole du levier de vitesses. Voir la Figure 15.
2. Placez le levier de vitesses à la 6e position ou marche avant la plus rapide.
3. Abaissez le levier de vitesses le plus bas possible.
4. Vissez ou dévissez la virole sur la tige du levier de vitesses selon le besoin, jusqu'à ce que la virole soit alignée avec le trou dans lequel elle se trouvait plus tôt. Voir la Figure 15.
5. Installez la virole dans le trou approprié, dans le sens noté précédemment.
6. Ré-installez la rondelle et la goupille fendue interne.

Commande de l'entraînement des roues

Consultez la partie concernant le Réglage final dans le chapitre Instructions de Montage pour régler la commande d'entraînement. Pour vérifier ce réglage, procédez comme suit:

1. Videz l'essence qui se trouve dans le moteur de la souffluse et placez un morceau de plastique sous la souffluse pour éviter tout renversement.
2. Basculez la souffluse vers l'avant et faites-la reposer sur l'habillage de la tarrière.
3. Retirez le couvre-chassis du dessous de la souffluse en enlevant les vis auto-taradeuses.

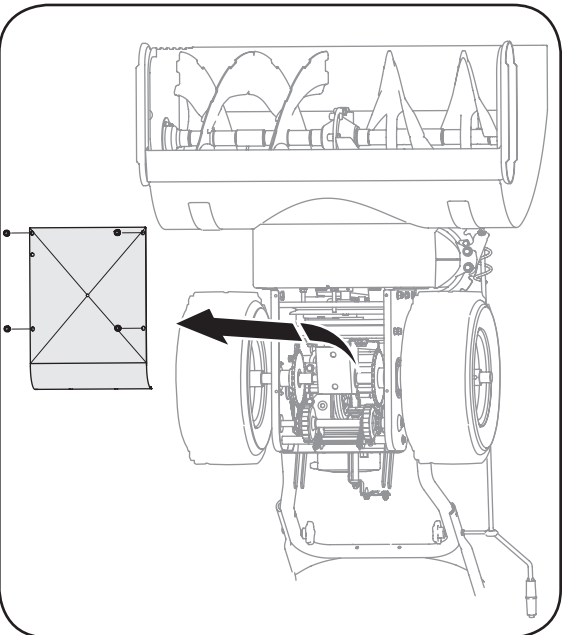


Figure 16

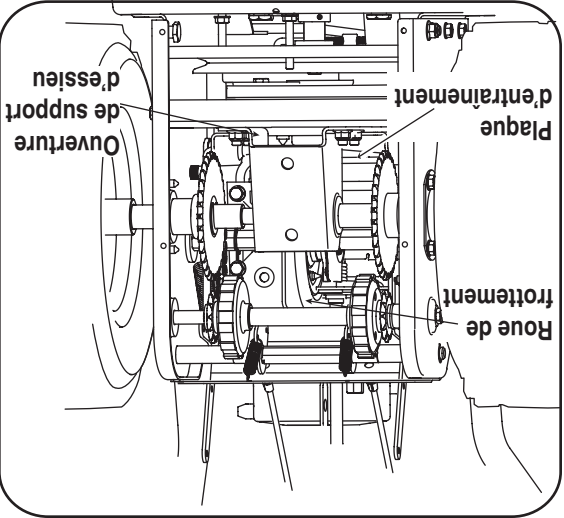


Figure 17

4. Débrayez la commande de l'entraînement et vérifiez s'il y a suffisamment d'espace entre la roue de frottement et la plaque d'entraînement, à toutes les positions du levier de vitesses. Voir la Figure 17.
5. Embrayez la commande de l'entraînement, vérifiez si la roue de frottement touche la plaque d'entraînement. Voir la Figure 17. Sinon, faites l'ajustement suivant :
 - a. Desserrez le contre-écrou sur le câble de l'entraînement et vissez ou dévissez le câble selon le besoin.
 - b. Resserrez le contre-écrou pour maintenir le câble lorsque l'ajustement voulu est obtenu.
6. Remontez le couvre-chassis.

REMARQUE: Si vous avez placé un morceau de plastique sous le bouchon d'essence plus tôt, enlevez-le maintenant.

- Enlevez toute la neige et l'humidité du couvercle du carburateur et près de les commandes. Déplacez celles-ci plusieurs fois.

Pour embrayer la transmission

1. Avec l'obturateur à la position Fast (IapIn), placez le levier de changement de vitesse à l'une des six positions de marche avant (F) ou à l'une des deux positions de marche arrière (R). Choisissez la vitesse adaptée aux conditions présentes.

2. Pressez la commande de la transmission contre le guidon droit pour avancer la souffluse; lâchez-la pour arrêter.

Pour embrayer les tarières

1. Pour embrayer les tarières et pour commencer à projeter la neige, pressez la poignée d'embrayage gauche de la tarière contre le guidon gauche. Lâchez la poignée pour arrêter les tarières.

2. Alors que la commande de la tarière est embrayée, pressez la commande de la transmission pour avancer. Lâcher-la pour arrêter. Ne changez pas de vitesse quand la commande de la transmission est embrayée.

REMARQUE: Cette même poignée permet de bloquer la commande de la tarière pour permettre au conducteur puisse orienter la goulotte sans cesser de projeter la neige.

3. Débrayez la commande de la tarière ; le mécanisme de blocage maintient la tarière engagée jusqu'à ce que la commande de la transmission soit débrayée.
4. Lâchez la commande de la transmission pour arrêter la tarière et les roues. Pour arrêter la tarière les deux poignées doivent être débrayées.

Conseils d'utilisation

REMARQUE: Laissez le moteur tourner pendant quelques minutes, car il ne développe toute sa puissance que lorsqu'il atteint sa température de fonctionnement normale.



AVERTISSEMENT: La température du silencieux et des zones voisines peut dépasser 150°F (65°C). Évitez de les toucher.

1. Le déblaiement sera plus facile s'il est effectué peu de temps après une chute de neige.
2. Dans la mesure du possible, projetez la neige dans le sens du vent.

3. Chevauchez légèrement les passages successifs.
4. Réglez les patins à 1/4 de po en dessous de la lame plate pour un déblaiement normal. On peut relever les patins en cas de neige tassée. Abaissez-les sur les allées recouvertes de gravier.

Recommandations d'ordre général

1. Suivez toujours les consignes de sécurité lors de tout entretien de la souffluse.
2. La garantie de cette souffluse ne couvre pas les articles et pièces qui ont fait l'objet d'un abus ou d'une négligence de la part de l'utilisateur. Pour bénéficier pleinement de la garantie, l'utilisateur doit entretenir la souffluse selon les instructions de cette notice d'utilisation.
3. Il est nécessaire d'effectuer certains ajustements périodiquement pour bien entretenir votre souffluse.
4. Vérifiez régulièrement que toute la boulonnerie est



Utilisation de la souffluse



AVERTISSEMENT

La température du silencieux et des zones voisines peut dépasser 150°F (65°C). Évitez de les toucher.



REMARQUE: Servez-vous des vitesses plus lentes jusqu'à ce que vous connaissiez mieux la souffluse.

IMPORTANT

Ne déplacez JAMAIS le levier de vitesses sans avoir d'abord lâché l'embrayage de l'entraînement des roues. Ceci causera l'usage prématuré sur la roue de traitement de système.

REMARQUE: Ne perdez pas la clé de contact. Rangez-la dans un endroit sûr. Il n'est pas possible de faire démarrer le moteur sans la clé.

- Retirez la clé de contact (sans tourner la clé) pour empêcher l'utilisation non autorisée de l'équipement.
 - Placez la manette de l'obturateur à la position STOP. sécher toute l'humidité qui aurait pu s'y accumuler.
- Laissez tourner le moteur pendant quelques minutes pour

Arrêt du moteur

REMARQUE: Laissez le moteur tourner pendant quelques minutes, car il ne développe toute sa puissance que lorsqu'il atteint sa température de fonctionnement normale.

- REMARQUE:** Laissez le moteur tourner pendant quelques minutes, puis revenez lentement à la position SANS VOLET.
- le bouton du volet de départ à la position VOLET
- SANS VOLET. Si le moteur hésite, tournez à nouveau lentement le bouton du volet de départ vers la position VOLET. Si le moteur hésite, tournez à nouveau lentement le bouton du volet de départ vers la position VOLET. Si le moteur hésite, tournez à nouveau lentement le bouton du volet de départ vers la position VOLET.
5. Au fur et à mesure que le moteur chauffe, tournez la manette de l'obturateur à la position STOP. Ne laissez pas la manette de l'obturateur à la position STOP pendant plus de 30 secondes.
4. Tirez à nouveau, mais rapidement. Ne laissez pas la manette de l'obturateur à la position STOP pendant plus de 30 secondes.
3. Tirez lentement sur la poignée du démarreur à l'arrêt. Jusqu'à ce que vous sentiez une légère résistance.

REMARQUE: Un amorçage supplémentaire peut être nécessaire si la température est inférieure à 15°F (-9°C).

3. Tirez lentement sur la poignée du démarreur à l'arrêt. Jusqu'à ce que vous sentiez une légère résistance.
4. Tirez à nouveau, mais rapidement. Ne laissez pas la manette de l'obturateur à la position STOP pendant plus de 30 secondes.
5. Au fur et à mesure que le moteur chauffe, tournez la manette de l'obturateur à la position STOP. Ne laissez pas la manette de l'obturateur à la position STOP pendant plus de 30 secondes.

REMARQUE: Un amorçage supplémentaire peut être nécessaire si la température est inférieure à 15°F (-9°C).

Démarrage à l'arrêt

1. Tournez le bouton du volet de départ à la position VOLET PLEIN.
2. Appuyez deux ou trois fois sur le bouton de l'amorçateur pour le démarrage à froid. Couvrez toujours l'évent du bouton de l'amorçateur en appuyant.
- REMARQUE:** N'AMORCEZ PAS un moteur chaud après un arrêt bref.
3. Tirez lentement sur la poignée du démarreur à l'arrêt. Jusqu'à ce que vous sentiez une légère résistance.
4. Tirez à nouveau, mais rapidement. Ne laissez pas la manette de l'obturateur à la position STOP pendant plus de 30 secondes.
5. Au fur et à mesure que le moteur chauffe, tournez la manette de l'obturateur à la position STOP. Ne laissez pas la manette de l'obturateur à la position STOP pendant plus de 30 secondes.

REMARQUE: N'AMORCEZ PAS un moteur chaud après un arrêt bref.

4. Appuyez sur le bouton du démarreur jusqu'à ce que le moteur se mette en route.

5. Quand le moteur démarre, lâchez le bouton du démarreur immédiatement.

REMARQUE: N'AMORCEZ PAS un moteur chaud après un arrêt bref.

3. Appuyez deux ou trois fois sur le bouton de l'amorçateur pour le démarrage à froid. Couvrez toujours l'évent du bouton de l'amorçateur en appuyant.
2. Tournez le bouton du volet de départ à la position VOLET PLEIN (démarrage à froid).

REMARQUE: Si le moteur est chaud, tournez le volet de départ à la position SANS VOLET au lieu de VOLET PLEIN.

2. Tournez le bouton du volet de départ à la position VOLET PLEIN (démarrage à froid).
- à la terre dans un endroit bien-aéré.

1. Branchez le fil électrique dans le démarreur, sur le moteur. Branchez l'autre extrémité du fil dans une prise de courant de 120 volts C.A. à trois trous mise à la terre, procédez comme suit:

Si vous avez une prise de courant à trois trous reliée à la terre, procédez comme suit:

ce démarreur électrique.

Si votre système est relié à la terre, mais s'il n'y a pas de prise à trois trous à l'endroit où le démarreur doit normalement être utilisé, n'utilisez en aucun cas ce démarreur électrique.

Si le câblage de votre maison n'est pas un système à trois fils reliés à la terre, n'utilisez en aucun cas ce démarreur électrique.

Si le câblage de votre maison n'est pas un système à trois fils reliés à la terre, n'utilisez en aucun cas ce démarreur électrique.

AVERTISSEMENT: Ce démarreur (en option) est équipé d'un fil et d'une prise électrique à trois fils et il est conçu pour fonctionner sur un courant de 120 volts, C.A. Il doit toujours être relié à la terre pour éviter la possibilité d'une décharge électrique qui pourrait blesser le conducteur. Suivez soigneusement toutes les instructions avant d'utiliser le démarreur électrique.

AVERTISSEMENT: Ce démarreur (en option) est équipé d'un fil et d'une prise électrique à trois fils et il est conçu pour fonctionner sur un courant de 120 volts, C.A. Il doit toujours être relié à la terre pour éviter la possibilité d'une décharge électrique qui pourrait blesser le conducteur. Suivez soigneusement toutes les instructions avant d'utiliser le démarreur électrique.

1. Vérifiez que le câblage de votre maison comporte trois fils reliés à la terre. Si vous n'êtes pas certain, renseignez-vous auprès d'un électricien.

Démarrage électrique (sur certains modèles)

REMARQUE: Le moteur ne peut pas démarrer à moins que la clé soit insérée dans le commutateur d'allumage.

2. Assurez-vous que les commandes de la tarrière et de l'entraînement sont débrayées (relâchées).
3. Placez la manette de l'obturateur à la position RAPIDE. Enfoncez la clé dans la fente. Assurez-vous qu'elle se met bien en position. Ne tournez pas la clé.

1. Branchez le fil de la bougie sur cette dernière. Vérifiez que la boucle métallique, au bout du fil de la bougie (dans la gaine en caoutchouc), est bien attachée à l'embout métallique de la bougie.

Pour faire démarrer le moteur

Vérifiez le niveau d'huile et d'essence et ajoutez au besoin. Suivez les instructions fournies dans la notice d'utilisation du moteur qui accompagne la souffeuse. Veuillez lire ces instructions attentivement.

Pleins d'essence et d'huile

AVERTISSEMENT



de la souffeuse

Utilisation



Faites très attention en manipulant de l'essence. L'essence est extrêmement inflammable et les vapeurs sont explosives. Ne faites jamais le plein d'essence à l'intérieur, pendant que le moteur tourne ou quand le moteur est chaud. Éteignez toute cigarette ou pipe, tout cigare ou toute autre source incandescente.

Lisez, comprenez, et suivez toutes les instructions et les consignes sur la machine et dans ce notice avant le fonctionnement.

Plein d'huile

Il est possible de vérifier le niveau d'huile à moteur et de faire le plein par le goulot de remplissage.

Commande de la tarière

Elle se trouve sur la poignée gauche. Serrez la commande pour embrayer la tarière. Lâchez-la pour arrêter la projection de la neige. Cette commande doit aussi être débrayée pour arrêter la tarière.



Commande de l'entraînement/Blocage de la commande de la tarière

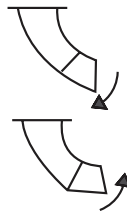
Cette commande se trouve sur la poignée droite. Serrez la commande pour embrayer les roues. Lâchez-la pour les arrêter.

Cette même manette sert aussi à bloquer la commande de la tarière, ce qui permet de manoeuvrer la manivelle de la goulotte sans interrompre la projection de la neige. Si la commande de la tarière et la commande de l'entraînement sont embrayées simultanément, il est possible de lâcher la commande de la tarière (sur la poignée gauche) et de garder la tarière enclenchée. Lâchez la commande de l'entraînement pour arrêter la tarière et les roues (la commande de la tarière doit aussi être lâchée).

IMPORTANT: Débrayez toujours la commande de l'entraînement avant de changer de vitesses.

Commande de la goulotte à 2 fonctions

Cette manette à 2 fonctions permet de contrôler la distance de projection de la neige par la goulotte. Inclinez la manette vers l'avant ou vers l'arrière pour ajuster la distance de projection.



Commande de direction de la goulotte

La commande de direction de la goulotte est placée sur le côté gauche de la souffluse. Pour changer la direction dans laquelle la neige est projetée, tournez la manivelle de la commande de direction de la goulotte comme suit:

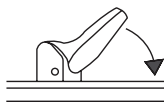
- Tournez la manivelle dans le sens des aiguilles d'une montre pour décharger la neige à gauche.
- Tournez la manivelle en sens inverse pour décharger la neige à droite.



DANS LE SENS DES AIGUILLES D'UNE MONTRE POUR PRO-JETER VERS LA GAUCHE.
DANS LE SENS CONTRAIRE DES AIGUILLES D'UNE MONTRE POUR PRO-JETER VERS LA DROITE.

Commande d'orientation des roues

Les commandes d'orientation des roues de droite et de gauche se trouvent en dessous des poignées.



Cle de contact

La clé de contact est un dispositif de sécurité. Elle doit être complètement enfoncée pour mettre le moteur en marche. Retirez la clé quand la souffluse n'est pas utilisée.

N'essayez pas de tourner la clé. Elle pourrait se briser.

Outil de dégagement de la goulotte

AVERTISSEMENT: Ne dégagez jamais une goulotte bouchée à la main. Arrêtez le moteur et restez derrière le guidon jusqu'à ce que toutes les pièces se soient immobilisées avant d'essayer de dégager la goulotte.

Cet outil est maintenu sur l'arrière de la tarière par une attache.

1. Débrayez la manette de commande de la tarière et la manette de blocage de la traction/tarière.
2. Arrêtez le moteur en déplaçant la commande de l'obturateur à la position stop.
3. Détachez l'outil de dégagement de la goulotte de sa position sur l'arrière de l'habitacle de la tarière.
4. Utilisez l'extrémité en forme de pelle pour déloger et retirer la neige ou la glace qui s'est accumulée dans la goulotte.

5. Replacerez l'outil de dégagement sur l'attache à l'arrière de l'habitacle de la tarière et faites démarrer la souffluse.
6. Tenez-vous au poste de conduite (derrière la souffluse) et embrayez la commande de la tarière pendant quelques secondes pour dégager tout reste de neige ou de glace de la goulotte d'éjection.

Patins

Positionnez les patins en fonction de la surface de travail. Redressez-les si la neige est tassée et abaissez-les pour travailler sur des surfaces recouvertes de gravier ou de pierre concassée. Consultez le chapitre «Réglares».

Phare

Le phare s'allume quand le moteur tourne.

Utilisation de la souffluse



AVERTISSEMENT

Toute souffluse en cours de fonctionnement peut projeter un objet vers les yeux, d'où le risque de blessures graves. Portez toujours des lunettes de sécurité en travaillant avec une souffluse et en effectuant toute réparation ou tout ajustement sur la souffluse.

Assurez-vous que personne ne se tient à proximité de la souffluse lors du démarrage ou pendant son utilisation. Ne faites jamais tourner le moteur à l'intérieur ou dans un local clos ou mal ventilé. Les gaz d'échappement du moteur contiennent du monoxyde de carbone, un gaz inodore mortel. Éloignez toujours vos mains, pieds, cheveux et vêtements non ajustés de toutes les pièces en mouvement du moteur et de la souffluse.

Utilisation de la souffeuse



AVERTISSEMENT

Lisez, comprenez, et suivez toutes les instructions sur la machine et dans ce notice avant le fonctionnement.

Faites très attention en manipulant de l'essence. L'essence est extrêmement inflammable et les vapeurs sont explosif. Ne faites *jamais* le plein d'essence à l'intérieur, pendant que le moteur tourne ou quand le moteur est chaud. Éteignez toute cigarettes ou pipe, tout cigare ou toute autre source incandescente.

Commandes de la souffeuse

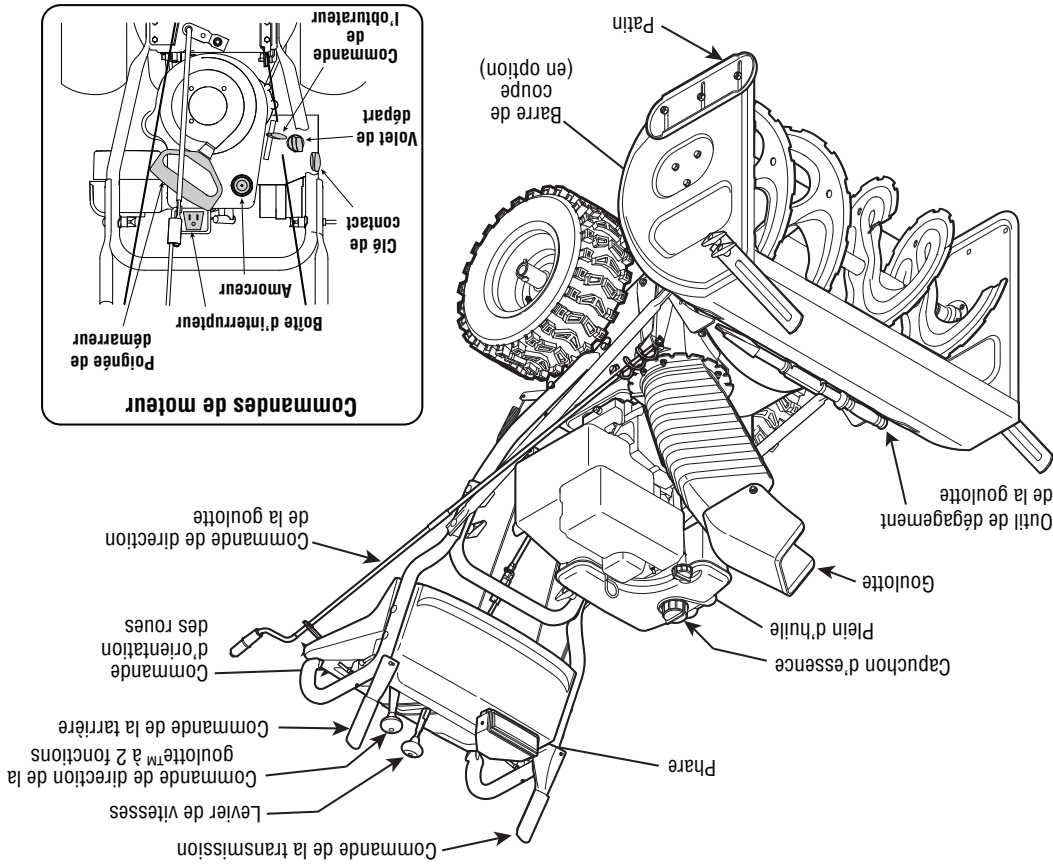


Figure 14

Volet de départ



Le volet de départ est trouvé sur l'arrière du moteur et est activé en tournant le bouton dans le sens des aiguilles d'une montre. Le bouton du volet de départ ferme la plaque sur le carburateur et facilite le démarrage du moteur.

Commande de l'obturateur

La commande de l'obturateur est trouvée sur le moteur. Il sert à régler le régime du moteur et coupera le moteur quand il est abaissé complètement.

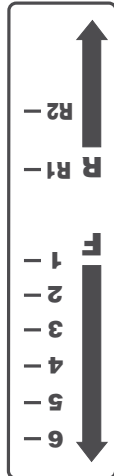
Amorceur

L'enfoncement du bouton d'amorçage force le carburateur directement dans le carburateur du moteur pour aider à faire démarrer le moteur en temps froid.



Levier de vitesses

Il se trouve au milieu du tableau de bord et sert à choisir la vitesse et la direction de déplacement. Il peut être placé à l'une quelconque de huit positions. **IMPORTANT:** Débrayez toujours la commande de l'entraînement des roues avant de changer de vitesse. **Marche avant:** La souffeuse a six marches avant (F). La position 1 est la plus lente et la position 6 la plus rapide. **Marche arrière:** La souffeuse a deux marches arrière (R), R1 étant la plus lente des deux.



Maintenant que votre souffeuse est prête à travailler, il est temps de vous familiariser avec ses commandes et diverses caractéristiques, expliquées ci-dessous et représentées sur ce page. Vous pourrez ainsi bénéficier au maximum de votre nouvelle machine. **REMARQUE:** Consultez la notice d'utilisation du moteur emballée séparément avec votre souffeuse pour avoir plus de renseignements concernant le démarrage et les commandes du moteur.

3

Instructions de montage



AVERTISSEMENT

Ne dégagez jamais la neige ou la glace près de la tarière ou dans la goulotte à la main.



IMPORTANT

Si la pression n'est pas égale dans tous les pneus, la machine risque de tirer d'un côté plus que de l'autre et l'usure de la plaque de raclage sera irrégulière.

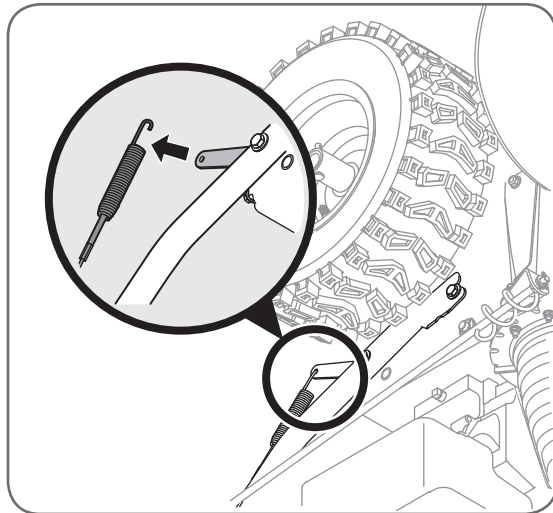


Figure 11

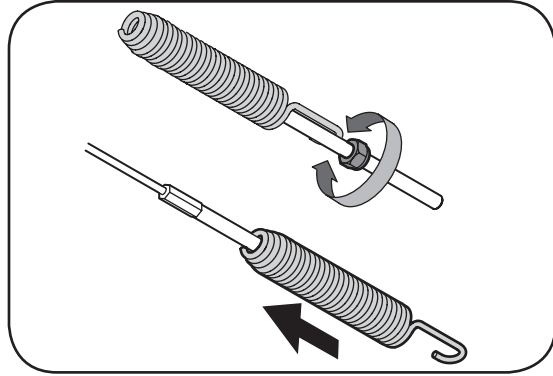


Figure 12

- Choisissez un endroit bien aéré et faites démarrer la souffluse selon les instructions de la page 11. Vérifiez que l'obturateur est réglé à la position rapide. Tenez-vous à la position de conduite (derrière la souffluse) et enclenchez la tarière.
- Attendez environ dix secondes avant de débrayer la tarière. Répétez cette opération plusieurs fois.
- Laissez tourner le moteur à plein régime et gardez la commande de la tarière à la position débrayée et «relevée». Placez-vous devant la machine.
- Vérifiez que la tarière est totalement immobilisée et qu'aucune pièce ne bouge.

AVERTISSEMENT: Ne serrez pas excessivement le câble car ceci pourrait empêcher le débrayage de la tarière et compromettre votre sécurité.

- Débrayez la commande et placez-la en position «relevée» (voir la Figure 11B). Le câble doit présenter très peu de jeu sans toutefois être tendu. Voir la Figure 12.

Commande de la tarière

Vérifiez le réglage de cette commande de la façon suivante:

- Vérifiez l'ajustement.
- Resserrez l'écrou de blocage sur le câble quand l'ajustement est satisfaisant.

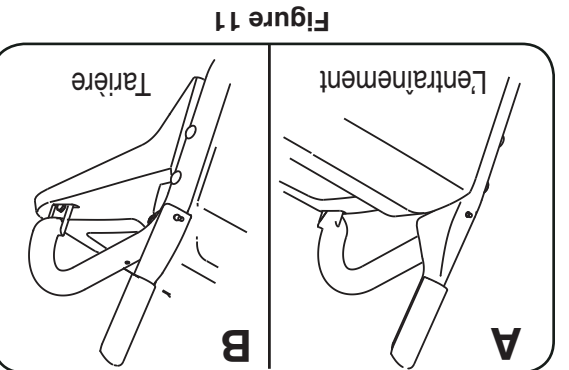


Figure 11

«Réglages»:

Positionnez les patins en fonction de la surface de travail. Redressez-les si la neige est tassée et abaissez-les pour travailler sur des surfaces recouvertes de gravier ou de pierre concassée. Consultez le chapitre

Patins

Vissez l'écrou de blocage vers l'extérieur (en descendant sur le raccord) de trois tours complets pour donner plus de jeu au câble et raccrochez le ressort sur le support.

- Répétez le test pour vérifier l'ajustement de la commande de la tarière. Répétez les instructions précédentes pour effectuer des ajustements supplémentaires si besoin est.

Pression des pneus (Bandages pneumatiques)

Les pneus sont gonflés excessivement pour l'expédition. Avant l'utilisation, vérifiez la pression des pneus et utilisez la souffluse. La pression recommandée par le fabricant est indiquée sur le flanc des pneus et réduite (ou augmentée) la pression dans les pneus selon le besoin.

- IMPORTANT: Si la tarière n'est pas complètement immobile, retournez immédiatement à la position de conduite et arrêtez le moteur. Attendez que toutes les pièces se soient immobilisées avant d'ajuster à nouveau le câble de la tarière.
- Pour ajuster à nouveau le câble de commande, décrochez le ressort (sur l'extrémité du câble de la tarière) du support de l'actionneur. Voir la Figure 12.
- Poussez le raccord du câble dans l'extrémité du ressort pour dégager l'écrou de blocage. Voir la Figure 13.

- Sur les modèles équipés, les barres de coupe sont assemblées à l'envers sur l'habitacle des tarières.
- Enlevez les boulons ordinaires en dévissant les écrous à six pans qui maintiennent les barres de coupe en place et positionnez-les correctement avant d'utiliser la souffluse. Voir la Figure 9.
- Si votre souffluse n'est pas équipée de barres de coupe, adressez-vous au service après-vente pour tout renseignement concernant le prix et la disponibilité en stock.
- Modèles de souffluse Barres de coupe
Tous les modèles OEM 390-679

Outil de dégagement de la goulotte

Un outil de dégagement de la goulotte est maintenu sur le dessus de l'habitacle de la tarière avec une attache. L'outil sert à dégager une goulotte bouchée. Voir la Figure 10. Consultez la page 11 pour plus de renseignements concernant cet outil.

REMARQUE: Cette pièce est à été fixée avec un attache-câble sur l'arrière de l'habitacle de la tarière à l'usine. Coupez l'attache-câble avant de mettre la souffluse en marche.

AVERTISSEMENT: Ne dégagez jamais la neige ou la glace près de la tarière ou dans la goulotte à la main.

Derniers réglages

Faites ces derniers réglages avant d'utiliser la souffluse pour la première fois. Sinon, vous risquez de l'endommager.

Commande de l'entraînement des roues et levier de vitesses

Faites le test suivant pour décider si un ajustement est nécessaire:

- Placez le levier de vitesses à la sixième (6e) position. Voir la Figure 14.

• La commande de l'entraînement débrayée (voir la Figure 11A), poussez la souffluse, puis tirez-la. La machine doit bouger facilement.

- Embrayez la commande de l'entraînement et essayez de déplacer la souffluse vers l'avant ou vers l'arrière. Vous devez sentir une résistance.

- Placez le levier de vitesses à la position de marche arrière rapide (R2) et répétez les deux tests précédents.

Si la machine résiste au mouvement quand le levier de vitesses est déplacé de la 6e position à la position R2, soit quand vous essayez de déplacer la machine alors que la commande de l'entraînement est débrayée, ajustez immédiatement la commande de l'entraînement des roues comme suit :

- Desserrez l'écrou de blocage qui se trouve sur le câble de la commande de l'entraînement et dévissez le câble d'un tour complet. Voir la Figure 13.

Elles servent en cas d'accumulation importante de neige.

Barres de coupe (le cas échéant)

- Enroulez le fil du phare autour du guidon droit jusqu'à ce que le fil puisse être branché dans le fil conducteur de l'alternateur, sous le réservoir d'essence. Voir la Figure 8.

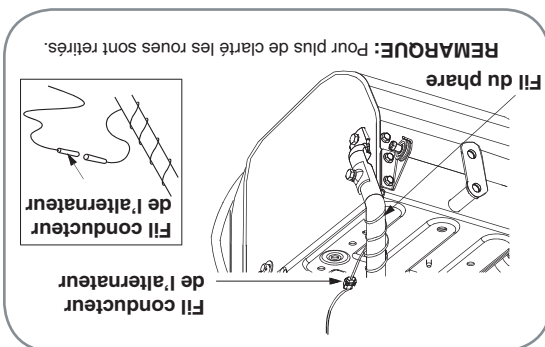


Figure 8

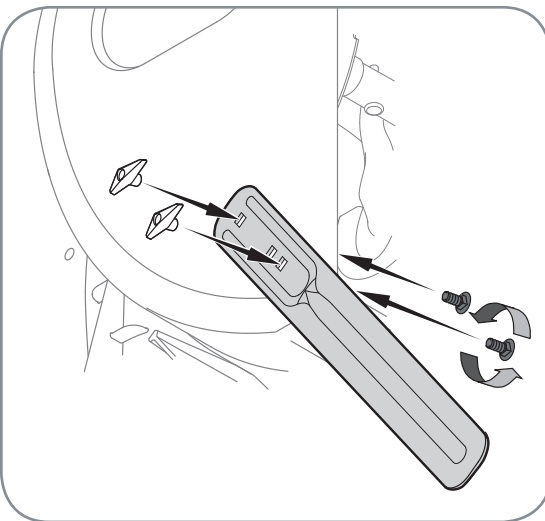


Figure 9

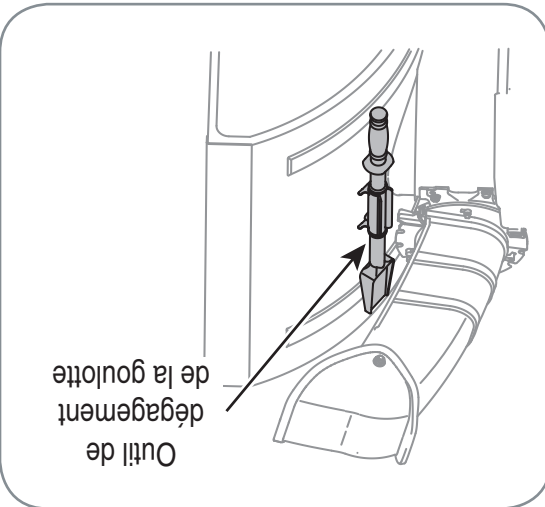


Figure 10

Instructions de montage

3

AVERTISSEMENT



Ne dégagez jamais la neige ou la glace près de la tarière ou dans la goulotte à la main.



IMPORTANT

Ne dépassez jamais la pression recommandée par le fabricant. La pression doit toujours être égale dans tous les pneus. Une pression excessive à l'installation des talons peut provoquer l'explosion de l'ensemble pneu et jante et causer des blessures graves. La pression recommandée est indiquée sur le flanc du pneu.

Instructions de montage

3

AVERTISSEMENT



Avant d'utiliser votre souffeuse, référez-vous à «Commande de la tarière» à la page 9. Lisez et suivez soigneusement les instructions et effectuez tous les ajustements pour vérifier que votre souffeuse fonctionne sans risque et correctement.

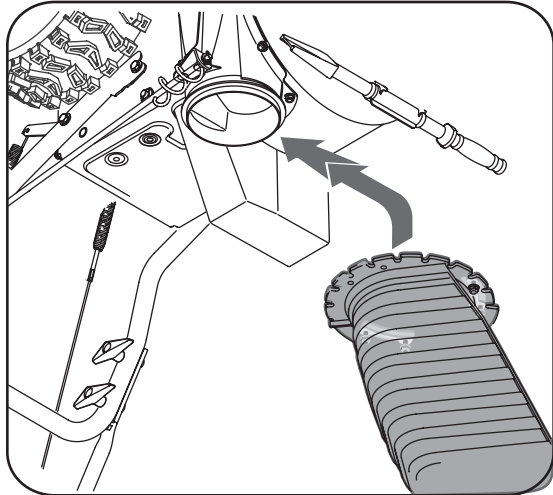


Figure 5

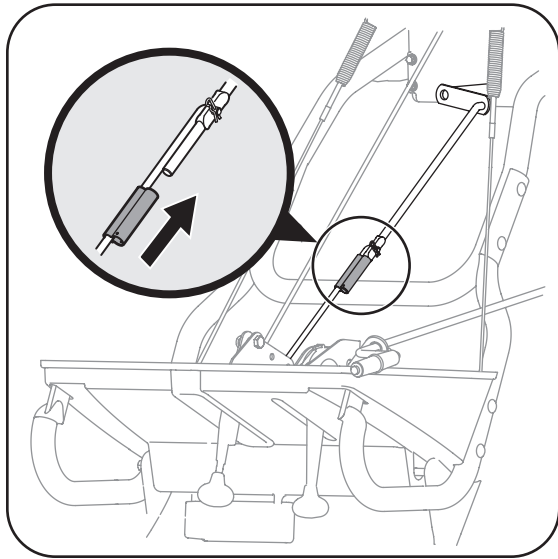


Figure 6

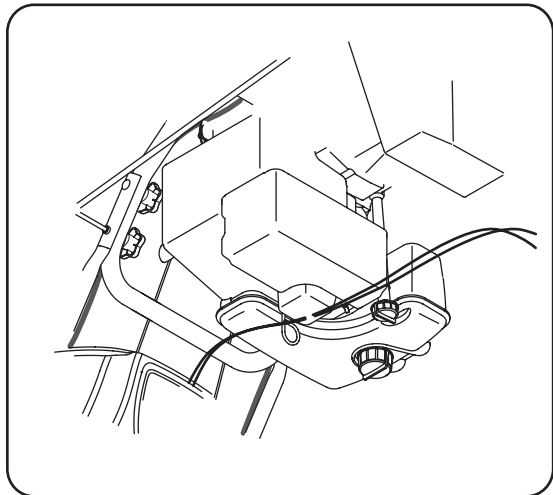


Figure 7

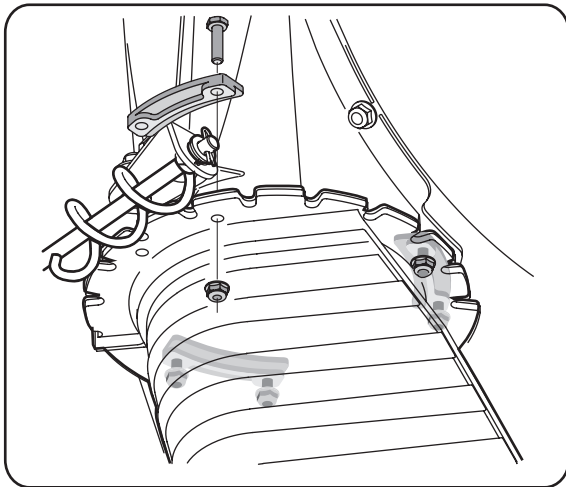


Figure 4

- Retirez les contre-écrous et les vis qui maintiennent l'un des guides des collets sur la goulotte. Voir la Figure 4.

- Glissez la goulotte sur l'ouverture prévue en orientant l'encoche de la goulotte vers l'avant de la souffeuse. Voir la Figure 5.

- Remplacez le guide de collet, les contre-écrous et les vis enlevés précédemment. Serrez tous les guides des collets et autre boulonnerie avec deux clés de 7/16 po. Ne serrez pas excessivement.

REMARQUE: Si besoin est, le support de la manivelle de la goulotte peut être ajusté de manière que la partie hélicoïdale de la manivelle s'engrène bien avec les dents de la goulotte. Consultez le chapitre «Réglages».

Installation de la tige du levier de vitesses

- Alignez les tiges du levier de vitesses inférieure et supérieure et abaissez le raccord des tiges sur l'extrémité de la tige du levier de vitesses inférieure. Tapez sur le raccord jusqu'à ce qu'il passe bien à travers la tige du levier de vitesses inférieure. Voir la Figure 6.

REMARQUE: Si le raccord n'est pas bien installé, la tige du levier de vitesses pivotera et il sera impossible de changer de vitesse ou de direction.

REMARQUE: S'il n'est pas possible d'utiliser toutes les vitesses (avant et arrière), consultez le chapitre «Réglages».

- Normalement, les attache-câbles retenant les câbles de direction de chaque côté du guidon inférieur ne sont pas serrés à l'usine. Tirez-les bien pour les serrer et coupez toute longueur inutile.

- Si il ne sont pas déjà installés, insérez les câbles, allant du tableau de bord à la goulotte, dans le fil de commande de la goulotte qui se trouve sur le moteur. Voir la Figure 7.

REMARQUE: La souffluse a été expédiée avec le plein d'huile mais SANS ESSENCE. Après l'assemblage veuillez consulter la notice d'utilisation du moteur quant au carburant et à l'huile à employer.

Boulons de cisaillement
Les tarières sont fixées sur l'arbre à l'aide de des goupilles de cisaillement et des goupilles fendues. Les goupilles sont sensées de peut être cisailier si la souffluse heurte un objet ou un bloc de glace. Des goupilles de cisaillement et des goupilles fendues de remplacement sont fournis à cet effet. Gardez-les dans un endroit sûr.

Articles requis pour l'assemblage
Pinces
Deux clés de 7/16 po ou à molette
Essence fraîche

Avant l'assemblage

- Débranchez le fil de la bougie et mettez le à la masse contre le moteur, pour empêcher tout démarrage accidentel.
- Les côtés droit et gauche de la souffluse sont déterminés du poste de conduite, derrière la souffluse.

Montage du guidon

- Assurez-vous que le ressort (qui se trouve à l'extrémité de chaque câble) est attaché à son support sur l'arrière du châssis de la souffluse, avant de redresser le guidon.
- Enlevez les boutons, les rondelles et les boulons ordinaires inférieurs de chaque côté du guidon inférieur. Voir la Figure 2.
- Relevez le guidon supérieur jusqu'à ce qu'il s'emboîte sur le guidon inférieur. See Figure 1.
- Attachez les guidons supérieur et inférieur avec les boutons et les boulons ordinaires enlevés précédemment.

Montage de la manivelle de la goulotte

- Serrez les boutons déjà en place sur les trous supérieurs et fixez les guidons fermement.
- Dégagez la goulotte fendue de l'extrémité de la manivelle supérieure dans la goulotte. Enfoncez la manivelle supérieure dans la manivelle inférieure. Des pinces peut aider dans ce travail. Voir la Figure 3.
- Alignez les trous sur les manivelles. Voir la Figure 3.
- Maintenez en place avec la goupille fendue enlevé précédemment.

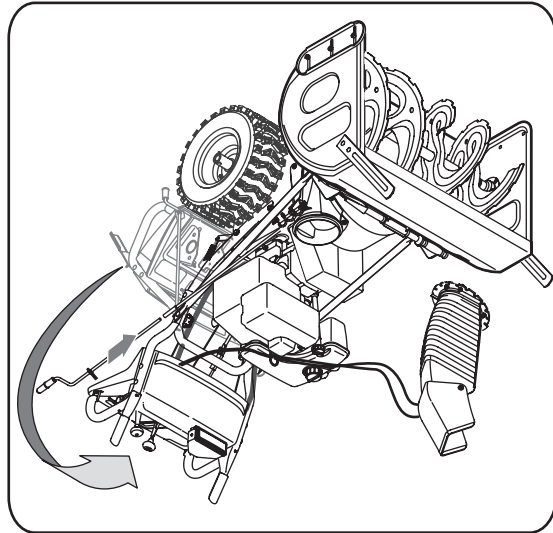


Figure 1



Figure 2

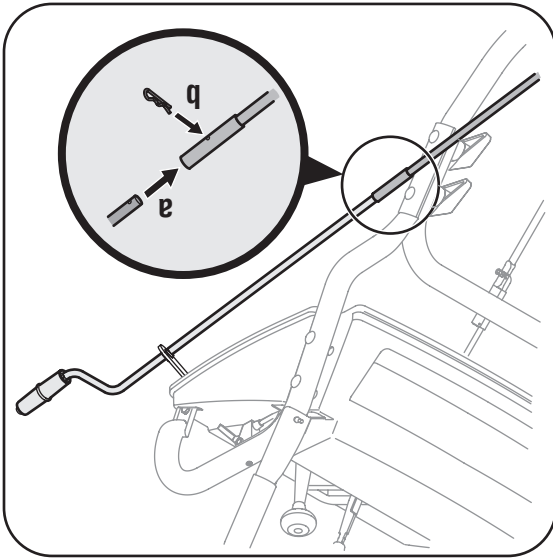


Figure 3

Instructions de montage

3



REMARQUE: Cette notice d'utilisation cou-

vre plusieurs modèles. Les traits du souffluse varient par le modèle. Pas toutes les traits discutées dans ce notice sont applicables à tous les modèles de souffluse.

REMARQUE: Les côtés droit et gauche de la souffluse sont déterminés du poste de conduite, derrière la souffluse.

REMARQUE: Des goupilles de cisaillement et des goupilles fendues de remplacement sont fournis à cet effet. Gardez-les dans un endroit sûr.

5. Ne faites jamais fonctionner la machine dans un local clos ou mal aéré car les gaz d'échappement du moteur contiennent du monoxyde de carbone, un gaz inodore très dangereux.
6. Ne vous servez pas de la machine après avoir bu des boissons alcoolisées ou après avoir pris des médicaments.
7. Le silencieux et le moteur deviennent très chauds et peuvent causer des brûlures. Ne les touchez pas.
8. Soyez extrêmement prudent à proximité des routes, allées ou chemins en gravier. Faites attention aux dangers non évidents et à la circulation.
9. Faites très attention en changeant de direction et en travailant sur une pente.
10. Prévoyez de travailler en évitant de projeter la neige vers des fenêtres, murs, voitures, etc. car les débris peuvent ricocher et causer des blessures graves ou des dégâts matériels.
11. Ne dirigez jamais la neige vers des enfants, des spectateurs et des animaux de compagnie et ne permettez jamais à quiconque de se tenir devant la machine.
12. Ne fatiguez pas la machine en essayant de débayer la neige trop rapidement.
13. N'utilisez pas la machine si la visibilité est mauvaise ou si la lumière est insuffisante. Gardez toujours un bon équilibre et tenez fermement le guidon. Marchez, ne courez pas.
14. Débrayez la commande de l'ensemble de la tarière et de la tarière pour transporter la machine et lorsqu'elle n'est pas utilisée.
15. Ne déplacez jamais rapidement la souffluse sur des surfaces glissantes. Soyez prudent en reculant.
16. Arrêtez le moteur, débranchez le fil de la bougie et mettez-le à la terre contre le moteur si la machine commence à vibrer de façon anormale. Vérifiez que la machine n'est pas endommagée. Réparez tout dégât éventuel avant de la remettre en marche.
17. Débrayez toutes les commandes et arrêtez le moteur avant de quitter le poste de conduite (derrière les guidons).
18. Ne placez jamais votre main dans la goulotte d'éjection ou près de l'admission. Utilisez toujours l'outil de dégagement pour déboucher l'ouverture de la goulotte. Ne débouchez pas la goulotte d'éjection pendant que le moteur tourne. Arrêtez le guidon jusqu'à ce que toutes les pièces en mouvement se soient immobilisées avant de déboucher la goulotte.
19. N'utilisez que des accessoires homologués par le fabricant de la machine. (ex. poids de roues, chaînes, cabine etc.)
20. Faites toujours preuve de bon sens dans des situations qui n'ont pas été abordées par cette notice d'utilisation. Adressez-vous au service après-vente pour obtenir le nom du concessionnaire le plus proche de chez vous.

Entretien et Remisage

1. Ne modifiez jamais les dispositifs de sécurité. Vérifiez souvent qu'ils fonctionnent correctement. Consultez les chapitres concernant l'entretien et les réglages dans cette notice d'utilisation.
 2. Avant de nettoyer, de réparer ou d'examiner la machine, débrazez toutes les commandes et arrêtez le moteur. Attendez que la tarière/turbine se soit complètement immobilisée.
- D'après la Consumer Products Safety Commission (CPSC) et la "U.S. Environmental Protection Agency" (EPA - Agence américaine de protection de l'environnement), ce produit a une durée de vie utile moyenne de sept (7) ans, ou 60 heures de fonctionnement. Au terme de cette durée de vie utile moyenne, achetez une machine neuve ou faites inspecter la machine chaque année par une station technique agréée pour vous assurer que tous les dispositifs mécaniques et de sécurité sont en bon état de marche et ne sont pas usés de façon excessive. Le non-respect de ces recommandations peut causer des accidents et des blessures graves ou mortelles.
- Durée de vie utile moyenne**
- Les moteurs certifiés conformes aux normes réglementaires de la Californie et de l'agence EPA fédérales pour SORE (petit équipement hors route) sont certifiés pour fonctionner avec de l'essence sans plomb ordinaire et peuvent être dotés des systèmes de contrôle des émissions de gaz suivants : Engine Modification (EM) et Three Way Catalyst (TWC) le cas échéant.
- Avis concernant les émissions de gaz**
- Ne modifiez pas le moteur.
- Pour éviter toute blessure grave ou fatale, ne modifiez pas du tout le moteur. Toute modification du réglage du régulateur peut provoquer l'emballement du moteur et entraîner son fonctionnement à des vitesses dangereuses. Ne modifiez jamais le réglage de l'usine du régulateur.
- Ne modifiez pas le moteur.**
1. Consultez toujours la notice d'utilisation quant aux instructions de remisage hors-saison.
2. L'intérieur s'il y a une flamme, une étincelle ou une veilleuse (d'un chauffe-eau, un radiateur, un fourneau, un sèche-souffluse).
3. Ne remisez jamais la machine ou les bidons d'essence à l'intérieur s'il y a une flamme, une étincelle ou une veilleuse.
4. Laissez la machine fonctionner pendant quelques minutes pour éliminer la neige de la tarière et éviter que l'ensemble de la tarière et de la turbine ne gèle avant de remiser la souffluse.
5. Respectez les règlements concernant l'élimination des déchets et liquides qui risquent de nuire à la nature et à l'environnement.
6. Remplacez les pièces usées.
7. Prenez soin des étiquettes de sécurité et d'instructions et étiquettes de sécurité.
8. Vérifiez fréquemment que les commandes fonctionnent bien et compromettent la sécurité de l'utilisateur.
9. Vérifiez fréquemment que les commandes fonctionnent bien et compromettent la sécurité de l'utilisateur.
10. Les plaques de raclage et les patins de la souffluse s'usent avec l'usage. Par mesure de sécurité, vérifiez souvent tous les composants et remplacez-les par des pièces authentiques seulement. L'utilisation de pièces qui ne sont pas conformes aux spécifications de l'équipement d'origine peuvent donner lieu à de mauvaises performances et compromettent la sécurité de l'utilisateur.
11. Examinez soigneusement la machine pour vous assurer qu'elle n'est pas endommagée.
12. Ne modifiez pas le réglage du régulateur et ne laissez pas le moteur s'emballer, ce qui peut être dangereux.
13. Les plaques de raclage et les patins de la souffluse s'usent avec l'usage. Par mesure de sécurité, vérifiez souvent tous les composants et remplacez-les par des pièces authentiques seulement. L'utilisation de pièces qui ne sont pas conformes aux spécifications de l'équipement d'origine peuvent donner lieu à de mauvaises performances et compromettent la sécurité de l'utilisateur.
14. Examinez soigneusement la machine pour vous assurer qu'elle n'est pas endommagée.
15. Ne modifiez pas le réglage du régulateur et ne laissez pas le moteur s'emballer, ce qui peut être dangereux.
16. Les plaques de raclage et les patins de la souffluse s'usent avec l'usage. Par mesure de sécurité, vérifiez souvent tous les composants et remplacez-les par des pièces authentiques seulement. L'utilisation de pièces qui ne sont pas conformes aux spécifications de l'équipement d'origine peuvent donner lieu à de mauvaises performances et compromettent la sécurité de l'utilisateur.
17. Examinez soigneusement la machine pour vous assurer qu'elle n'est pas endommagée.
18. Ne modifiez pas le réglage du régulateur et ne laissez pas le moteur s'emballer, ce qui peut être dangereux.
19. Les plaques de raclage et les patins de la souffluse s'usent avec l'usage. Par mesure de sécurité, vérifiez souvent tous les composants et remplacez-les par des pièces authentiques seulement. L'utilisation de pièces qui ne sont pas conformes aux spécifications de l'équipement d'origine peuvent donner lieu à de mauvaises performances et compromettent la sécurité de l'utilisateur.
20. Examinez soigneusement la machine pour vous assurer qu'elle n'est pas endommagée.

Cette machine ne doit être utilisée que par des personnes qui peuvent lire, comprendre et respecter les avertissements et instructions qui figurent dans cette notice et sur la machine.

Votre responsabilité

CE SYMBOLE!

QUI ACCOMPAGNE

L'AVERTISSEMENT

RESPECTEZ

corporelles.

entraîner des blessures

ces instructions peut

Le non-respect de

servir de cette machine.

d'essayer de vous

notice d'utilisation avant

figurant dans cette

toutes les instructions

d'autrui. Prière de lire

biens, mais aussi ceux

de votre personne et vos

dangereusement

peuvent mettre en

ne sont pas respectées,

importantes qui, si elles

consignes de sécurité

sur des

de votre attention

attire

AVERTISSEMENT



sécurité

de

Consignes

2

Consignes de sécurité



AVERTISSEMENT

Ce symbole attire votre attention sur des consignes de sécurité importantes qui, si elles ne sont pas respectées, peuvent mettre en danger non seulement votre personne et vos biens, mais aussi ceux d'autrui. Prière de lire toutes les instructions figurant dans cette notice d'utilisation avant d'essayer de vous servir de cette machine.

Le non-respect de ces instructions peut entraîner des blessures corporelles.

RESPECTEZ

L'AVERTISSEMENT QUI ACCOMPAGNE CE SYMBOLE!

Votre responsabilité

Cette machine ne doit être utilisée que par des personnes qui peuvent lire, comprendre et respecter les avertissements et instructions qui figurent dans cette notice et sur la machine.



AVERTISSEMENT: Les gaz d'échappement de ce produit contiennent des

produits chimiques reconnus dans l'Etat de Californie comme causant le cancer, des anomalies congénitales ou d'autres problèmes liés à la reproduction.

DANGER: Cette machine doit être utilisée conformément aux consignes de sécurité qui figurent dans la notice d'utilisation. Comme avec tout appareil motorisé, une négligence ou une erreur de la part de l'utilisateur peut entraîner des blessures graves. Cette machine peut amputer mains et pieds et projeter des débris. Par conséquent, le non-respect de ces consignes peut causer des blessures corporelles graves et même mortelles.

Formation

1. Assurez-vous de lire et de bien comprendre toutes les instructions qui figurent sur la machine et dans la notice d'utilisation avant de la mettre en marche. Conservez cette notice d'utilisation à un endroit sûr pour toute consultation ultérieure et pour commander des pièces de rechange.
2. Familiarisez-vous avec les commandes et la bonne utilisation de cette machine avant de vous en servir. Apprenez à arrêter la machine et à débrayer rapidement les commandes.
3. Ne permettez jamais à des enfants de moins de 14 ans de se servir de la machine. Des adolescents plus âgés doivent lire la notice d'utilisation, bien comprendre le fonctionnement de la machine et respecter les consignes de sécurité. Ils doivent apprendre à utiliser la machine et s'en servir sous la surveillance étroite d'un adulte.
4. Ne permettez jamais à des adultes ne connaissant pas bien le fonctionnement de la machine de s'en servir.
5. Les objets projetés par la machine peuvent causer des blessures graves. Prévoyez de travailler en évitant de projeter la neige vers la route, des spectateurs, etc.
6. Gardez les spectateurs, les animaux de compagnie et les enfants à une distance d'au moins 75 pieds de la machine quand elle est en marche. Arrêtez la machine si quelqu'un s'approche.
7. Soyez toujours prudent pour ne pas glisser ou tomber, surtout en reculant.

Préparation

1. Examinez soigneusement la zone à déblayer et enlevez tous les paillassons, traîneaux, morceaux de bois, fils de fer et autres objets sur lesquels vous pourriez trébucher ou qui risquent d'être projetés par la tarière/turbine.
2. Portez toujours des lunettes de sécurité en utilisant la machine ou en effectuant un réglage ou une réparation. Un objet peut en effet être projeté, ricocher et vous blesser aux yeux.
3. Ne travaillez pas sans porter des vêtements d'hiver adéquats. Ne portez pas de bijoux, d'écharpes longues ou de vêtements amples qui risquent de se prendre dans les pièces en mouvement. Portez des chaussures qui amélioreront votre stabilité sur des surfaces glissantes.
4. Utilisez une rallonge à 3 fils et une prise de courant mises à la terre avec toutes les machines équipées d'un moteur à démarreur électrique.
5. Réglez la hauteur de l'habillage pour éviter tout contact avec les surfaces en gravier ou en pierre concassée.
6. Débrayez toutes les commandes avant de mettre le moteur en marche.

Manipulation de l'essence

7. N'essayez jamais de régler le moteur pendant qu'il tourne (à moins d'indications contraires de la part du fabricant).
 8. Laissez le moteur et la machine s'habituer à la température extérieure avant de commencer à déblayer.
- Pour éliminer tout risque de blessure grave, faites très attention en manipulant de l'essence. Il s'agit d'un produit extrêmement inflammable et les vapeurs risquent d'exploser. Vous pouvez être grièvement blessé si des éclaboussures sur votre peau ou sur vos vêtements s'enflamment. Rincez votre peau et changez immédiatement de vêtements.

- a. Remisez le carburant dans des bidons homologués seulement.
- b. Éteignez toute cigarette ou pipe, tout cigare ou toute autre source incandescente.
- c. Ne faites jamais le plein à l'intérieur.
- d. N'enlevez jamais le capuchon d'essence et n'ajoutez pas d'essence pendant que le moteur tourne.
- e. Laissez le moteur refroidir pendant au moins deux minutes avant de faire le plein.
- f. Ne faites jamais déborder le réservoir. Laissez un espace d'un demi-pouce environ pour permettre l'expansion du carburant.
- g. Resserrez bien le capuchon d'essence.
- h. En cas de débordement, essayez toute éclaboussure sur le moteur et la machine. Déplacez la machine et attendez 5 minutes avant de la remettre en marche.
- i. Ne remisez jamais la machine ou les bidons d'essence à l'intérieur s'il y a une flamme, une étincelle ou une veilleuse (d'un chauffe-eau, un radiateur, un tourneau, un sèche-linge ou autre appareil à gaz).
- j. Laissez la machine refroidir pendant au moins 5 minutes avant de la remiser.

Utilisation

1. Ne placez jamais vos mains ou vos pieds près d'une pièce en mouvement, dans l'habillage de la tarière ou de la turbine ou dans la goulotte d'éjection. Les pièces en mouvement peuvent amputer mains et pieds.
2. La manette de commande de l'ensemble de la tarière et de la turbine est un dispositif de sécurité. Ne contournez jamais son rôle ce qui rendrait dangereux l'emploi de la machine et pourrait causer des blessures corporelles.
3. Toutes les manettes de commande doivent fonctionner facilement dans les deux directions et revenir automatiquement à la position de débrayage lorsqu'elles sont relâchées.
4. Ne travaillez jamais sans la goulotte d'éjection ou si elle est endommagée. Laissez tous les dispositifs de sécurité en place et assurez-vous qu'ils sont en bon état.



Étiquettes de sécurité



AVERTISSEMENT

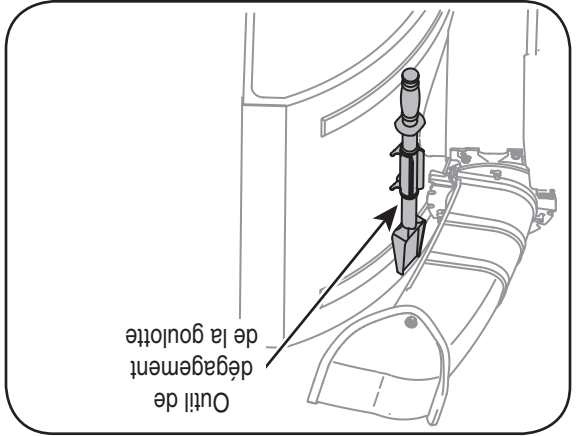
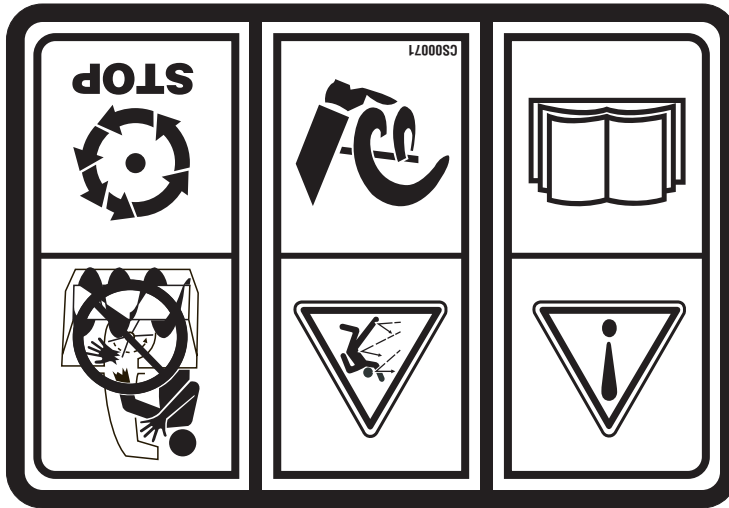
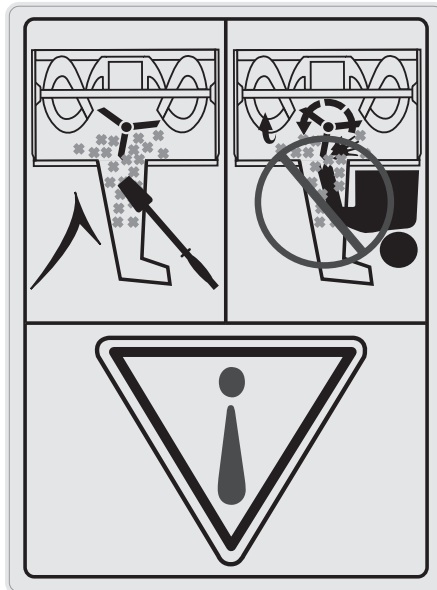
Ce symbole attire votre attention sur des consignes de sécurité importantes qui, si elles ne sont pas respectées, peuvent mettre en danger non seulement votre personne et vos biens, mais aussi ceux d'autrui. Prière de lire toutes les instructions figurant dans cette notice d'utilisation avant d'essayer de vous servir de cette machine. Le non-respect de ces instructions peut entraîner des blessures corporelles.

RESPECTEZ

L'AVERTISSEMENT QUI ACCOMPAGNE CE SYMBOLE!

Votre responsabilité

Cette machine ne doit être utilisée que par des personnes qui peuvent lire, comprendre et respecter les avertissements et instructions qui figurent dans cette notice et sur la machine.



Un outil de dégagement de la goulotte est maintenu sur le dessus de l'habillage de la tarière avec une attache. Cet outil sert à dégager les accumulations de neige et de glace dans la goulotte. Cet outil a été fixé avec un attache-câble à l'usine. Coupez l'attache-câble avant de mettre la souffluse en marche.

AVERTISSEMENT : Ne vous servez jamais de vos mains pour dégager une obstruction dans la goulotte. Arrêtez le moteur et restez derrière les guidons jusqu'à ce que toutes les pièces se soient arrêtées avant de vous servir de l'outil de dégagement pour nettoyer la goulotte.



1. Visitez le site www.mtdcanada.ca où vous trouverez de nombreuses suggestions utiles.
2. Appelez un agent du service après-vente au **1-800-668-1238**.
3. Le fabricant du moteur est responsable de tout aspect lié à celui-ci, y compris la performance, la puissance nominale, les caractéristiques, la garantie et le service. De plus amples renseignements se trouvent, en fonction du fabricant, soit dans cette notice d'utilisation soit dans celle qui est emballée séparément avec le produit.
- Préparez vos numéros de modèle et de série avant de téléphoner. Veuillez lire le chapitre précédent pour déterminer l'emplacement de ces numéros. On vous demandera d'enregistrer le numéro de série avant de pouvoir poursuivre votre consultation.

Si l'assemblage de cette machine vous pose des problèmes ou pour toute question concernant les commandes, le fonctionnement ou l'entretien de la machine, les spécialistes sont à votre disposition. Choisissez l'une des options ci-dessous:

Veillez retourner la machine au détaillant qui vous l'a vendue, sans vous adresser d'abord au service après-vente.

Service après-vente



AVANT DE PROCÉDER À L'ASSEMBLAGE DE VOTRE NOUVELLE SOUFFLEUSE, localiser la plaque signalétique sur l'équipement, et recopier le numéro de modèle et le numéro de série sur le modèle de plaque signalétique fourni sur la droite. Pour localiser la plaque signalétique, placez-vous derrière la souffeuse à la poste de conduite et regardez à l'arrière du châssis de la souffeuse.

Pour trouver le numéro de modèle

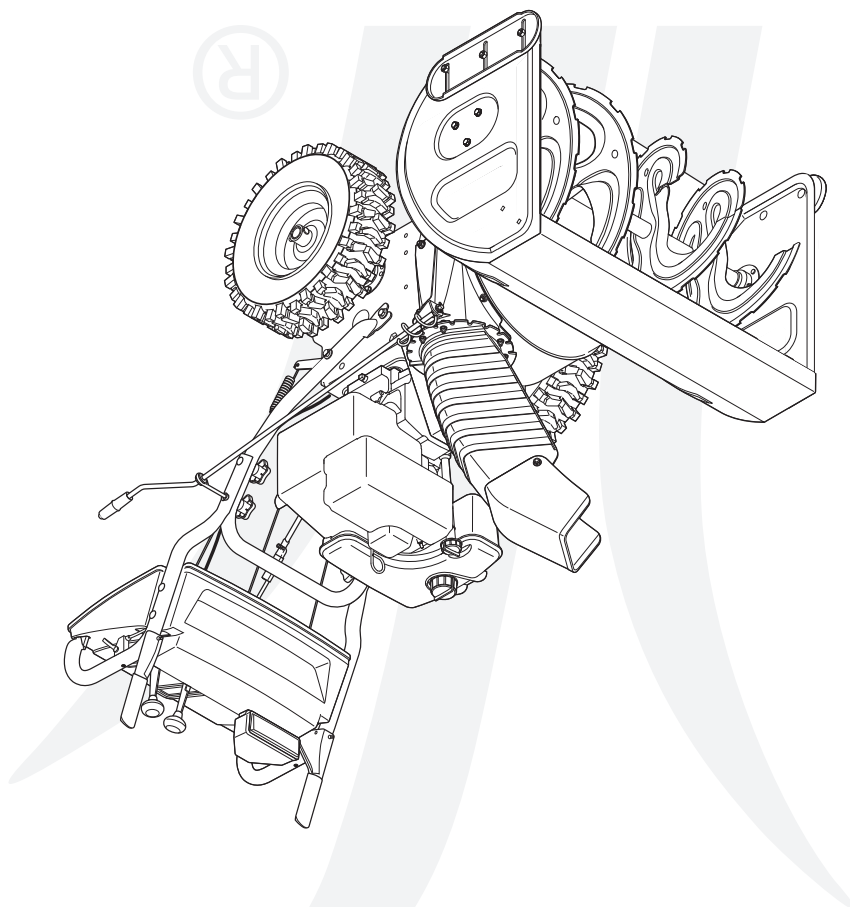
| | |
|--|----|
| Étiquettes | 3 |
| Important consignes de sécurité | 4 |
| Instructions de montage | 6 |
| Utilisation de la souffeuse | 10 |
| Réglares..... | 14 |
| Régime d'entretien | 16 |
| Remisage hors saison | 20 |
| Dépannage | 21 |
| Garantie | 22 |
| Pièces détachées (voir la page 24 de la version anglaise de cette notice d'utilisation). | |

Table des matières

Cette notice d'utilisation est une pièce importante de votre nouvel équipement. Elle vous fournit les renseignements nécessaires à l'assemblage, à la préparation et à l'entretien de votre machine. Veuillez donc la lire attentivement et vous assurer de bien comprendre toutes les instructions.

IMPORTANT:
LISEZ ATTENTIVEMENT LES RÈGLES DE
SÉCURITÉ ET LES INSTRUCTIONS AVANT
DE METTRE EN MARCHÉ LA MACHINE.

Souffleuses à neige à deux phases



NOTICE D'UTILISATION

Sécurité * Montage * Fonctionnement * Réglages * Entretien
Dépannage * Listes des pièces détachées * Garantie

Free Manuals Download Website

<http://myh66.com>

<http://usermanuals.us>

<http://www.somanuals.com>

<http://www.4manuals.cc>

<http://www.manual-lib.com>

<http://www.404manual.com>

<http://www.luxmanual.com>

<http://aubethermostatmanual.com>

Golf course search by state

<http://golfingnear.com>

Email search by domain

<http://emailbydomain.com>

Auto manuals search

<http://auto.somanuals.com>

TV manuals search

<http://tv.somanuals.com>