



# PARTS LIST FOR SPREADER

MODEL 439-305

10 CENTS

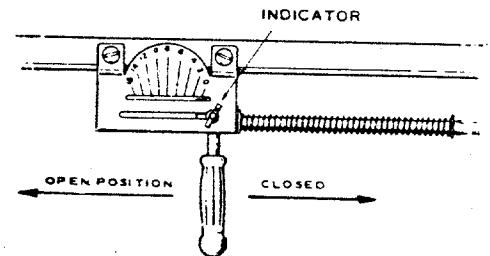
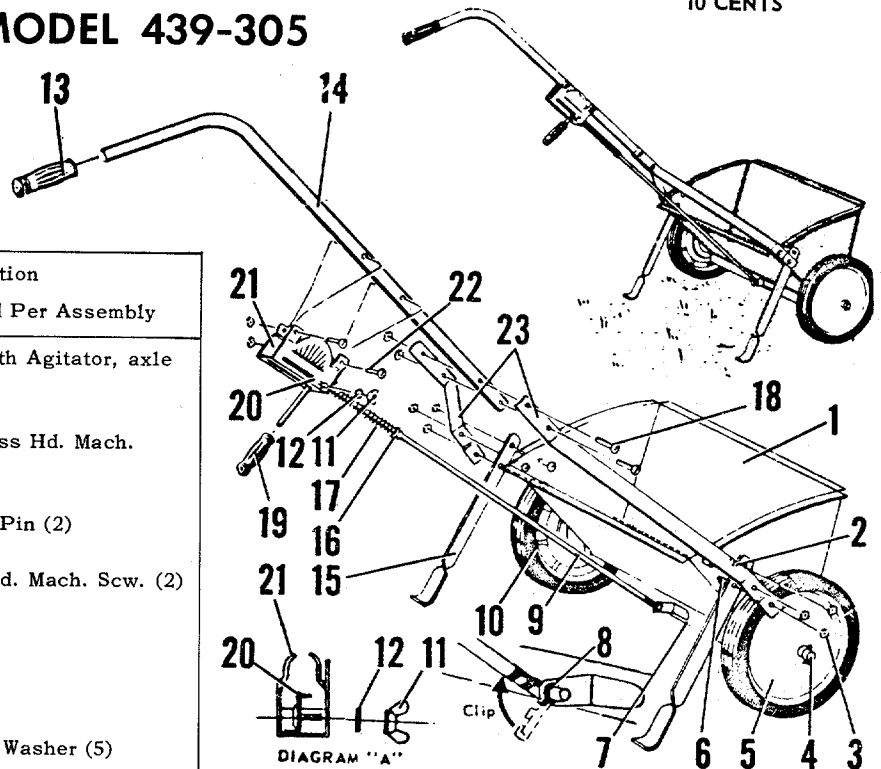
Illus. No.	Part No.	Price	Description ( ) - No. Required Per Assembly
1	371-2075	\$5.00	Hopper - Complete with Agitator, axle and bearings
	305-1387	.20	Bearings in Hopper
2	710-192	.20*	10-24 x 3/8" Lg. Truss Hd. Mach. Scw. (8)
3	712-425	.20*	10-24 Square Nut (14)
4	714-507	.20*	3/32 x 3/4 Lg. Cotter Pin (2)
5	503-4009	2.30	Drive Wheel with tire
6	710-473	.20*	10-24 x 1/2 Lg. Truss Hd. Mach. Scw. (2)
7	310-2080	.90	Shutter Bar
8	716-508	.20	Clevis Clip
9	310-2083	.80	Control Rod
10	503-4006	2.30	Free Wheel with Tire
11	712-148	.20*	10-24 Wing Nut
12	736-147	.20*	No. 10 External Lock Washer (5)
13	305-2091	.30	Grip - Handle
14	312-2081	1.00	Handle
15	312-2087	1.00	Leg (2)
16	736-235	.20*	Flat Washer (2)
17	732-497	.50	Spring
18	710-144	.20*	10-24 x 1 1/4" Lg. Rd. Hd. Mach. Scw. (2)
19	720-500	.30	Grip - Control Rod
20	310-4357	.50	Indicator Bracket
21	310-2084	.50	Control Bracket
22	710-467	.20*	10-24 x 1" Lg. Truss Hd. Mach. Scw. (2)
23	312-2082	.50	Handle Braces (2)
+	312- <del>2082</del>	.80	Pivot Bracket (2)
+	1378	1.50	Screw Pack

+ Not shown in illustration

\* Available locally

## ASSEMBLY INSTRUCTIONS

1. Attach top hole of legs to hopper with 3/8 long bolts and nuts.
2. Lap arms over legs, as shown, and fasten with two 3/8 long bolts and two 1/2 bolts and nuts.
3. Assemble control bracket and indicator as shown in diagram "A".
4. Slip control bracket on handle and fasten with the two 1" long bolts and nuts. (Do not reverse control bracket).
5. Secure handle to arms with two 1 1/4 long bolts and nuts.
6. Washer, spring, washer should be on rod as shown. Insert this into control bracket from bottom and swing rod into position.
7. Straddle clip over shutter bar hole. Slip rod thru clip and shutter bar. Then swing clip up on rod. This must be on as shown in order to have free shutter action.
8. Complete assembly by adding both grips.



- Spreader should always be in closed position when setting is made or when loading hopper.
- When rod is off indicator hook and down, it's in closed position.
- Make setting by sliding indicator to desired opening and tightening wing nut. When ready to operate just hook rod on indicator.
- To determine setting refer to chart. Some experimentation may be necessary because of variations of different products.

**CARE OF SPREADER** - Before putting spreader away flush hopper, agitator, and shutter with water. If seed is used, washing is not necessary. Cover bottom of hopper with a light film of oil to prevent corrosion...When spreader is not in use store in closed position. This prevents prolonged tension on spring...Avoid using damp materials or exposing spreader to rain.



Shutter should open evenly and be snug on entire length of hopper. If adjusting your shutter becomes necessary, invert the spreader and loosen the four bolts slightly. Tap shutter into correct position and retighten. Shutter opening should be 1/4" at #8 indicator setting.

MTD PRODUCTS INC • 5389 WEST 130th ST. • P.O. BOX 2741 • CLEVELAND, OHIO 44111



**IMPORTANT: USE THIS CONVENIENT ORDER BLANK.**

Fill in complete data requested on this form to assure that your order will be shipped promptly.

\* A new instruction sheet will be returned with the parts you order.

PRINT NAME \_\_\_\_\_  
 Street or R.F.D. \_\_\_\_\_ Box \_\_\_\_\_  
 City \_\_\_\_\_ State \_\_\_\_\_ Zip Code \_\_\_\_\_

**THIS CARTON WAS INSPECTED. IF THERE ARE ANY SHORTAGES, PLEASE REFER TO THE ABOVE INSPECTOR NUMBER.**

QUAN. TITY	PART NUMBER	NAME OF PART	PRICE EACH	TOTAL

**NOTE:** Add 30¢ for postage and handling on all orders of \$2.00 or less. On orders of more than \$2.00 add 15% for postage and handling.

**MINIMUM ORDER: \$1.00**

Ohio residents add 4% Sales Tax			
Postage and Handling			
Total Amount Required			

**IMPORTANT:** Be certain your name and address are on your order. An amazing number of orders are in the "no name" file and cannot be shipped until we get a letter of complaint. If you have any reason to be dissatisfied, advise or give us a chance to make things right. We genuinely try to give satisfaction.

**REMITTANCE:** Payment in full should accompany all orders. Money Order, Check or Bank Draft are recommended. Avoid sending cash unless absolutely necessary. If you send cash, wrap it in heavy paper and REGISTER YOUR LETTER. Sorry, no C.O.D.'s.

**PRICES** are subject to change without notice.

**WARRANTY**

*This item is guaranteed to be free of defects in workmanship and/or materials. Under this warranty, MTD Products Inc is limited to the replacing of any part or parts which shall be returned, postpaid, and which our examination shall disclose to have been defective. Any part or parts which are damaged by misuse or accident in handling are not covered by this warranty.*

Defective parts or shortages must be reported to the factory immediately. Such claim should be reported on this form and must be accompanied by the following information:

1. Equipment name and model number. \_\_\_\_\_
2. Date of purchase . . . . . \_\_\_\_\_
3. Part number and description of part . \_\_\_\_\_
4. Description or nature of defect . . . . . \_\_\_\_\_

Do not forward any payment with a warranty or shortage claim. The factory will advise you if payment is due.

## Free Manuals Download Website

<http://myh66.com>

<http://usermanuals.us>

<http://www.somanuals.com>

<http://www.4manuals.cc>

<http://www.manual-lib.com>

<http://www.404manual.com>

<http://www.luxmanual.com>

<http://aubethermostatmanual.com>

Golf course search by state

<http://golfingnear.com>

Email search by domain

<http://emailbydomain.com>

Auto manuals search

<http://auto.somanuals.com>

TV manuals search

<http://tv.somanuals.com>