

Owner's Operating Service Instruction Manual

10¢

Model No.
214-100A

- ASSEMBLY
- OPERATION
- REPAIR PARTS

VERTICAL ROTARY TILLER

WARRANTY

For one year from date of purchase, MTD Products Inc will replace for the original purchaser, free of charge, F.O.B. factory or authorized service firm, any part or parts found to be defective in material or workmanship. All transportation charges on parts submitted for replacement under this warranty must be paid by the purchaser. This warranty does not include replacement of parts which become inoperative through misuse, excessive use, accident, neglect, improper maintenance or alterations by unauthorized persons. This warranty does not include the engine, motor, battery, battery charger or any component parts thereof. For service on these units, refer to the applicable manufacturer's warranty.

The above warranty will apply only to the original owner and will be effective only if the warranty card has been properly processed. It will not apply where the unit has been used commercially.

Warranty service is available through your local authorized service dealer or distributor. **UNDER NO CIRCUMSTANCES WILL THE RETURN OF A COMPLETE UNIT BE ACCEPTED BY THE FACTORY UNLESS PRIOR WRITTEN PERMISSION HAS BEEN EXTENDED.**

MTD PRODUCTS INC • 5389 WEST 130th STREET • P. O. BOX 2741 CLEVELAND OHIO 44111

PRINTED IN U.S.A.

FORM NO. 770-4922

SAFETY RULES

1. Your tiller is a precision piece of power equipment. Exercise extreme caution at all times.
2. Do not attempt to start engine with the clutch control in the engaged or FORWARD position.
3. Stand clear of tines when starting engine. Never stand in front of, or work on tines while the engine is running.
4. NEVER place hands or feet in the vicinity of the tines while the engine is running.
5. Always stop engine when tiller is not in actual use.
6. Always disconnect spark plug wire during repairs or refueling operations.
7. Do not fill gas tank while engine is running. Do not spill gasoline on hot engine.

Your rotary tiller is a precision built machine designed to take the work out of gardening and other related chores. It can be used for seed bed preparation, tilling, cultivating, furrowing, composting and mulching. Like any other piece of power equipment, it requires a certain amount of care and maintenance. In return for this, it will give a maximum of service and efficiency. Read these instructions carefully before assembling or operating your tiller. Through proper care and operation, you will obtain long, efficient service and trouble free operation.

ASSEMBLY — ONE PIECE HANDLE

Your rotary tiller is shipped complete in a single carton. The tines, wheels, handle and depth bar are to be assembled. This is done in the manner described below.

Tines—Mount tines on tine shaft as shown. (See page 8.) Tines must be mounted with the cutting edges facing the front. The tiller will not operate properly unless the sharpened surface of the tines enter the soil first. Secure tines in position on tine shaft with cap screws (35), and nuts (24).

Note: Dust pads (21 and 22) are provided in screw pack. (See page 8.)

Wheels — Insert axle bolts (23) into wheel hubs. Place washers (26) between wheel and leg. Secure with nuts (29) and lockwashers (28) tightened only enough to allow free movement of the wheels (25). Attach wheel and axle assemblies to outside of tiller legs (27 and 30). (See page 8.)

Handle — Assemble the handle brackets (8) to the handle (2) with hex head screw (11), lockwashers (9) and hex nuts (10). DO NOT tighten. Place the handle brackets (8) in the tailpiece slots. Fasten the lower hole in the handle brackets to the frame with a carriage bolt 5/16-18 x 3/4" Lg. (20), lockwasher (13) and hex nut (12). Tighten all screws and nuts. (See page 6.)

CLUTCH CONTROL LEVER ASSEMBLY

Lockout Lever — Assemble in this order: rubber washer (42), steel washer (41), clutch lever assembly (43), (rod bracket to the front), steel washer (41) and lock nut (40). Tighten until rubber washer compresses slightly. (See page 6.)

Clutch Control Assembly — Screw the ferrule (37) on the threaded end of the lockout rod (38) until about 1/2" of the threads show. Insert the ferrule through the control lever (36), fasten with flat washer (35) and cotter hairpin (34). Put the lockout handle in the neutral position. Insert the lockout rod in the bracket on the lockout lever and secure with a cotter hairpin (34) through the center of the bracket. Adjust the ferrule so the belt is slack when the lockout lever is in the neutral position. (See page 6.)

Depth Bar — Attach depth bar (18) in desired position with clevis pin (17) and locking pin (15). (See page 6.)

Grips — Assemble grips (1) to handle bars.

CHECK LIST BEFORE OPERATION

1. Check tiller tines for proper installation. With throttle control lever set on STOP position and the clutch control handle set in FORWARD position, slowly crank engine to determine direction of tine rotation. Be sure all tines are mounted so the sharpened edges enter the soil first.
2. Check all nuts and bolts for proper tightness. This is especially important during the initial operation period. Make this same check periodically thereafter.
3. Check gear case for proper lubricant level. With tiller on a level surface, lubricant level should be up to the front pipe plug opening. This can be checked by removing front pipe plug. Maintain correct lubricant level with Mobilube SAE 140 Gear Oil or equivalent. The gear case holds five (5) ounces of lubricant.

4. Check fuel tank. Clean, fresh, regular gasoline should be used at all times.
5. Check engine crankcase for proper oil level. The engine is shipped without oil in the crankcase. Be sure to fill crankcase before starting engine. Be sure crankcase is FULL.

NOTE: The engine is warranted separately by the engine manufacturer. For warranty service contact the engine manufacturer or their local authorized service station. All important information pertaining to care and operation is included in the engine manual.

STARTING YOUR TILLER

1. Be sure clutch control handle is in NEUTRAL position.
2. Move throttle lever to START position on engine.
3. After cranking the engine several times or as the engine fires, move the throttle lever to RUN position.
4. Adjust throttle lever for desired operating speed.
5. To stop engine, move throttle lever to STOP position. Keep throttle lever in STOP position at all times when tiller is not in use.

NOTE: A brief break-in period is essential to insure maximum engine life. This consists of running the engine at half speed for a period of time required to use one tank of gasoline. This is necessary on the initial run only. It is also recommended that the oil be changed after five (5) hours of operation. This allows for the removal of impurities which may have accumulated during the break-in period. Subsequent oil changes should be made as stated in the engine manual. Always check oil before using your tiller. Be sure crankcase is full.

OPERATING INSTRUCTIONS

For your own convenience and safety, observe all safety suggestions shown in this manual. Your tiller is not a toy, it is a precision piece of power equipment. Treat it as such.

It is important to recognize the fact that the forward and penetrating action of the rotary tiller is obtained from the rotating action of the tines in the soil. The depth bar acts as a brake for the tiller and controls the depth and speed at which the machine will operate. By lowering the setting of the depth bar, the forward speed of the machine is reduced and the working depth

of the tines is increased. Raising the setting of the depth bar increases the forward speed and reduces the working depth. When soil conditions are severe and several passes must be made over a certain area, the depth bar setting should be lowered each time a pass is made. Further control of tilling depth and travel speed can be obtained by variation of pressure on the handles. A downward pressure on the handles will increase the working depth and reduce the forward speed. An upward pressure on the handles will reduce the working depth and increase the forward speed. The type of soil and working conditions will determine the actual setting of the depth bar and the handle pressure required.

1. Tine engagement and forward travel is achieved by moving the clutch control handle to FORWARD position. Tine rotation and forward motion are stopped by moving the clutch control handle to NEUTRAL position. Reverse tine action and reverse travel motion can be maintained by HOLDING the clutch control handle in REVERSE position. Releasing the handle stops reverse operation automatically.
2. The throttle lever adjusts the engine speed. It also gives fingertip control of the carburetor and magneto stop switch. With the throttle lever pushed completely to the left, the carburetor is in START position. Pulling the lever to the right reduces the engine speed to SLOW. When the lever is pulled completely to the right, the magneto stop switch grounds out the spark and stops the engine.
3. With the depth bar raised out of operation, self-propelled transporting of the tiller is easily achieved. With no pressure on the handles and the throttle lever set for SLOW engine speed, move the clutch control handle to the FORWARD position and let the tiller gently propel itself.

ADJUSTMENTS

Belts—Belt slack is taken up by a spring loaded idler pulley. Because of this, belt adjustment is not required.

Clutch—No adjustment in clutch linkage is required. This is done automatically by the spring loaded idler.

NOTE: Belt and clutch adjustments can be made by moving the engine bed. Loosen the four bolts which secure it and move the engine bed forward or backward as required. Adjusting the control rod will also effect the belt and clutch adjustment. These adjustments may be necessary if handle position is changed.

Handles—The position of the handles may be adjusted by removing and moving carriage bolts in the lower mounting holes. Adjustment should be made for the most convenient operating height.

Wheels—Wheel positions may be varied to give further adjustment of handle height. Various wheel positions also give variations of the leverage and weight distribution over the tines. Wheels should be set to suit the local soil conditions and the operator's convenience.

Tines—The standard width of cut is 26". Because of the various types of work to which the tiller may be put, variation in the tilling widths may be necessary. This can be accomplished in a number of ways.

1. Standard tine arrangement ----- 26"
2. Remove outer tines from outer tine assemblies. Tines may be interchanged with opposite sides ----- 20"
3. Add tine extensions to standard arrangement ----- 40"

NOTE: When adjusting tines, be sure the cutting edges enter the soil first.

MAINTENANCE AND LUBRICATION

Engine—Service engine in accordance with the engine manufacturer's owner's guide.

NOTE: To drain oil, remove oil filler plug and tip tiller on its side. Drain oil while the engine is warm. See engine manual for filling instructions.

Gear Case— Proper lubricant level should be up to the front pipe plug. Check with tiller on a level surface. Add enough to bring level up to front pipe plug hole. Use Mobilube SAE 140 Gear Oil or equivalent. Gear case should be maintained with five (5) ounces of lubricant.

Lubricate the upper bushing in the gear case with a small amount of grease. Do not over lubricate as any excess will enter the gear case proper. Use a high pressure gun grease.

Belt — Access to V belt and pulley assemblies is accomplished by removing the engine and engine bed as described below.

1. Remove four cap screws which secure engine bed to mounting plate assembly. Remove engine and engine bed. Do not kink control wire.
2. Loosen set screw in 4½" pulley. Remove pulley and "V" belt. If belt clip on idler must be loosened to remove belt, mark correct location of belt clip in relation to idler before loosening. This can be done by scribing the belt clip and the end of the weld bolt in idler with a file. It is most important that this clip be reassembled in the right position.

3. Position belt on 4½" pulley and replace on worm shaft. Pulley must be mounted in position so that it will line up with engine pulley when assembly is completed. The correct position is that point at which the center of the pulley is 1-1/8" above the mounting plate assembly. Tighten set screw securely.
4. If belt clip has been loosened, line up in original position and tighten securely. Make sure belt is inside belt guards. While holding the belt taut (grasp at extreme rear position), move clutch control handle to FORWARD and NEUTRAL position. If belt clip touches belt with handle in either position, readjust position of clip.
5. Move clutch control handle to NEUTRAL position. Remove inspection plate from engine bed.
6. Replace engine bed and engine on mounting plate assembly. Do not kink control wire. Move engine bed and engine as far forward as possible.
7. Reach through inspection hole and guide belt into position on engine pulley.
8. Check visually through inspection hole to make sure belt is inside all belt guards and that pulleys are in proper alignment. A flashlight will help you make this check quickly and easily.
9. Line up mounting holes and replace cap screws. Do not tighten cap screws until all are in place. Replace inspection plate.

REPLACING TILLER GEAR CASE OIL SEALS

1. Drain lubricant.
2. Remove tine assemblies.
3. Remove bearing cap.
4. Remove bearings, worm wheel and tine shaft. Do not remove bearing races.
5. Remove oil seals from gear case and bearing cap.
6. Remove all burrs from holes in tine shaft.
7. Dip oil seals in lubricant and then insert one in gear case and one in bearing cap.
8. Wipe tine shaft clean of filings and lubricate before assembling with bearings and worm wheel in gear case.
9. Replace bearing cap. CAUTION: Do not damage oil seals. The open flanges face to the outside of the gear case.

10. Tighten bearing cap enough to seal "O" rings.
11. Replace tines and add lubricant.

General—Check periodically all nuts and bolts. Loose nuts and bolts can cause permanent damage to your unit. Keep all nuts and bolts securely tightened.

Storage—The following steps should be taken to prepare your tiller for storage.

1. Clean tiller thoroughly and lubricate as described in the preceding instructions.
2. Coat tilling tines with grease to prevent rusting.
3. Prepare engine for storage in accordance with engine manufacturer's owner's guide.

4. Block tiller legs to raise tires clear of floor. Be sure tiller is level.
5. Store in a dry, clean area.

ATTACHMENTS

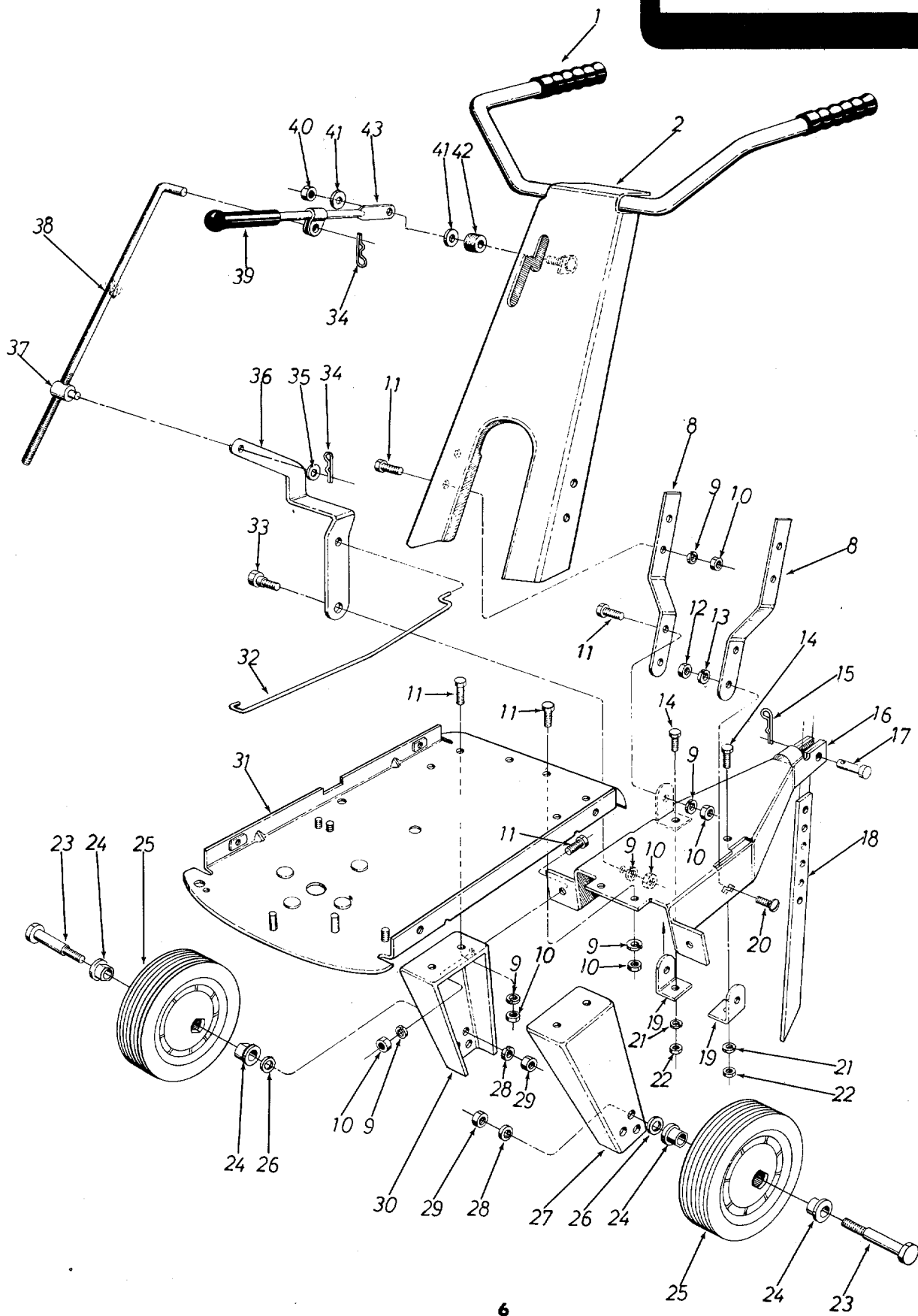
Extension Tines—This attachment is available to increase your tilling width up to 40". Extension tines are easily installed and removed. Order under part number 294-162A.

Furrow Opener—This attachment is easily installed on the depth bar of your tiller. It can be used for either furrowing or hilling operations. These attachments are available through your local dealer.

For wide (2" x .43") depth bar, order furrow opener 294-179A.

214-100A

IF YOU WRITE TO US ABOUT THIS ARTICLE
OR IF YOU ORDER REPLACEMENT PARTS AL-
WAYS MENTION THIS MODEL & SERIAL NO
MODEL



PARTS LIST FOR MODEL 214-100A

REF. NO.	PART NO.	COLOR CODE	DESCRIPTION	NEW PART	REF. NO.	PART NO.	COLOR CODE	DESCRIPTION	NEW PART
1	1166		Grip—Black		25	734-585		Wheel Ass'y. 9.0 x 1.75	N
2	4624—474		Handle Ass'y.	N	26	736-253		Bellville Wash. .505 I.D. x 1.00 O.D.	N
8	4386—474		Handle Mount Brackets		27	4109—474		Leg—Left Hand	
9	736-169		L-Wash. 3/8" Scr.*		28	736-921		L-Wash 1/2" Scr.*	
10	712-798		Hex Nut 3/8-16 Thd.*		29	712-206		Hex Nut 1/2-13 Thd.*	
11	710-253		Hex Scr. 3/8-16 x 1.00" Lg.*		30	4110—474		Leg—Right Hand	
12	712-267		Hex Nut 5/16-18 Thd.*		31	4105—474		Mounting Plate Ass'y.	
13	736-119		L-Wash. 5/16" Scr.*		32	4198		Lower Control Rod	
14	710-118		Hex Scr. 5/16-18 x .75" Lg.*		33	738-183		Shoulder Scr. .500" Dia. x .215	
15	732-194		Spring Pin		34	714-115		Cotter Pin 1/8" Dia. x 1.00" Lg.*	
16	4329—474		Tail Piece Ass'y.		35	736-204		Fl-Wash. .344" I.D. x .62 O.D.	
17	711-231		Clevis Pin .500" Dia.		36	4619		Control Pivot Lever	N
18	4328		Depth Bar		37	711-392		Adjustment Ferrule	
19	4124—474		Handle Mount Brackets		38	711-414		Control Rod	
20	710-451		Carriage Bolt 5/16-18 x .75" Lg.*		39	720-143		Grip—Black	
21	736-119		L-Wash. 5/16" Scr.*		40	712-158		Hex Inserted L-Nut 5/16-18 Thd.	
22	712-267		Hex Nut 5/16-18 Thd.*		41	736-195		Fl-Wash. .344 I.D. x .88 O.D.	
23	738-240		Shoulder Scr. .625" Dia. x 2.75	N	42	735-126		Rubber Wash. .33 I.D. x .87 O.D.	
24	748-145		Flange Brg with. Flats .631 I.D.		43	4392		Clutch Lever Ass'y.	

* For faster service, obtain standard nuts, bolts, and washers locally. If these items cannot be obtained locally, order by part number and size as shown on parts list.

(474—Citrus) *When ordering parts if color or finish is important, use the appropriate color code shown at left. (e.g. Citrus—4624 (474)).*

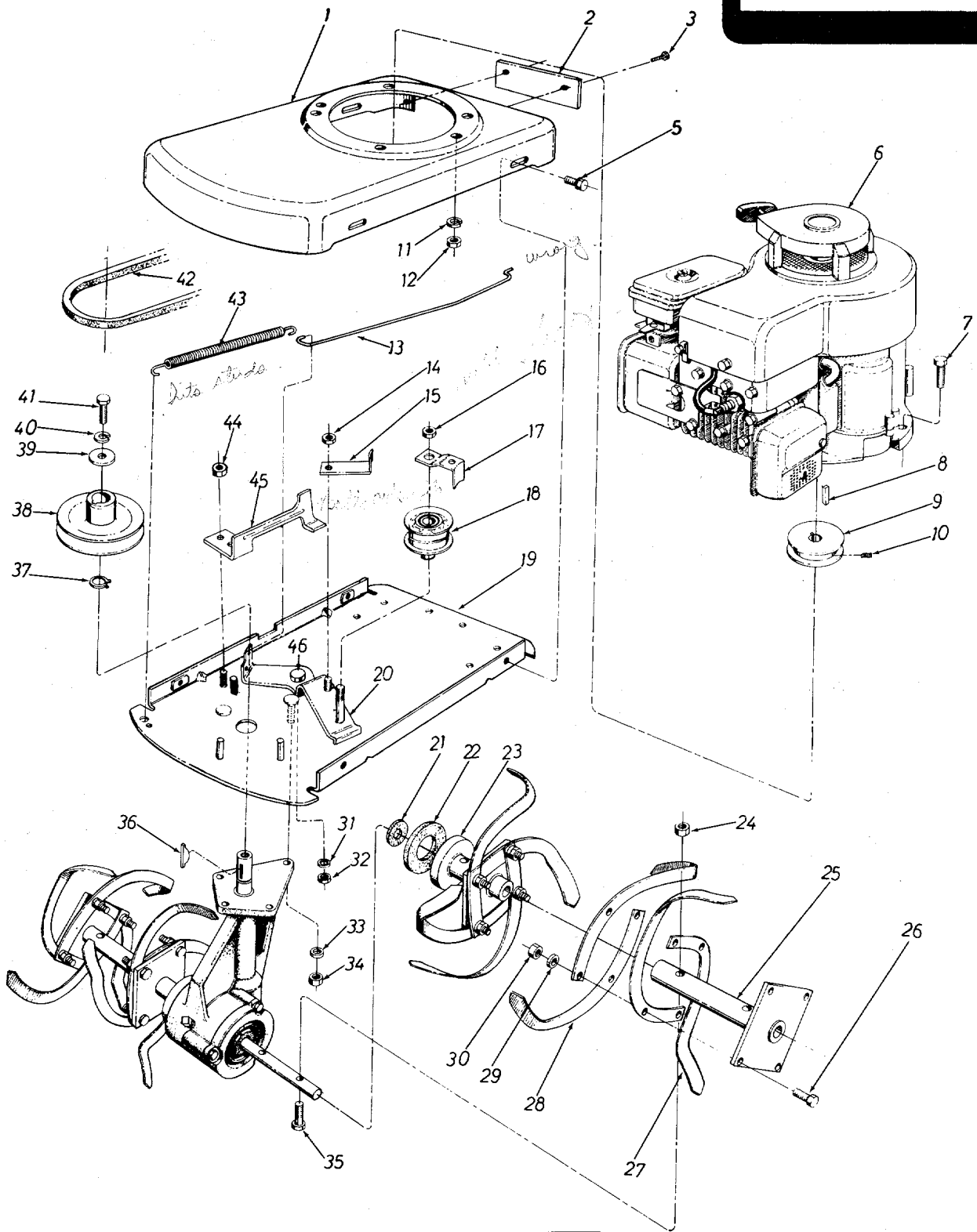
The engine is not under warranty by the tiller manufacturer. If repairs or service is needed on the engine, please contact your nearest authorized engine service outlet. Check the "Yellow Pages" of your telephone book under "Engines-Gasoline."

Find us fast in the



214-100A

IF YOU WRITE TO US ABOUT THIS ARTICLE
OR IF YOU ORDER REPLACEMENT PARTS AL-
WAYS MENTION THIS MODEL & SERIAL NO
MODEL



901-4291 TINE ASS'Y - COMPLETE - L.H. INNER	Optional Tine Extension Order Part No. 294-162A
901-4292 TINE ASS'Y - COMPLETE - R.H. INNER	
901-4293 TINE ASS'Y - COMPLETE - L.H. OUTER	
901-4294 TINE ASS'Y - COMPLETE - R.H. OUTER	

NOTE: Dust pads must be assembled as shown. (Ref. Nos. 21 and 22).

PARTS LIST FOR MODEL 214-100A

REF. NO.	PART NO.	COLOR CODE	DESCRIPTION	NEW PART	REF. NO.	PART NO.	COLOR CODE	DESCRIPTION	NEW PART
1	4103—474		Engine Bed		23	4138—474		Inner Tine Adapter Ass'y.	
2	4126		Inspection Plate		24	712-116		Hex Ins. L-Nut 3/8-24 Thd.	
3	710-128		Hex F-Tapp Scr. #10-32 x .50" Lg.		25	4134—474		Outer Tine Adapter Ass'y.	
5	710-259		Hex Sems Scr. 5/16-18 x 1.00" Lg.*		26	710-191		Hex Scr. 3/8-24 x 1.25" Lg.*	
6	—		Engine		27	742-106		Tine 12"—Right Hand	
7	710-158		Hex Scr. 5/16-24 x 1.25" Lg.*		28	742-105		Tine 12"—Left Hand	
8	714-122		Sq. Key 3/16 x .75" Lg.*		29	736-169		L-Wash. 3/8" Scr.*	
9	756-107		Sheave 2 1/2" O.D.		30	712-241		Hex Nut 3/8-24 Thd.*	
10	710-765		Set Scr. 5/16-24 x .25" Lg		31	736-169		L-Wash. 3/8" Scr.*	
11	736-119		L-Wash. 5/16" Scr.*		32	712-798		Hex Nut 3/8-16 Thd.*	
12	712-123		Hex Nut 5/16-24" Thd.*		33	736-169		L-Wash. 3/8" Scr.*	
13	4198		Lower Control Rod		34	712-798		Hex Nut 3/8-16 Thd.*	
14	712-107		Hex Cent. L-Nut 1/4-20 Thd.		35	710-459		Hex Scr. 3/8-24 x 1.50" Lg. H.T.	
15	4195		Belt Clip		36	714-126		#9 Hi-Pro Key 3/16 x 3/4" Dia.	
16	712-116		Hex Ins. L-Nut 3/8-24 Thd.		37	716-119		Snap Ring 3/4" Dia. Shaft	
17	4563		Belt Clip		38	756-196		Pulley 4.50" O.D.	
18	756-199		Flat Idler		39	736-231		Fl-Wash. .344" I.D. x 1.25" O.D.	
19	4105—474		Mounting Plate Ass'y.		40	736-119		L-Wash. 5/16" Scr.*	
20	4187		Idler Bracket Ass'y.		41	710-118		Hex Scr. 5/16-18 x .75" Lg.*	
21	721-120		Foam Seal 1.25" I.D. x 2.12" O.D.		42	754-103		V-Belt 1/2 x 27" Lg.	
22	721-121		Foam Seal 2.25" I.D. x 2.94" O.D.		43	732-233		Tension Spring	
					44	712-107		Hex Center L-Nut 1/4-20 Thd.	
					45	4161		Belt Guard	
					46	738-183		Shoulder Scr. .500 Dia. x .215	

* For faster service, obtain standard nuts, bolts, and washers locally. If these items cannot be obtained locally, order by part number and size as shown on parts list.

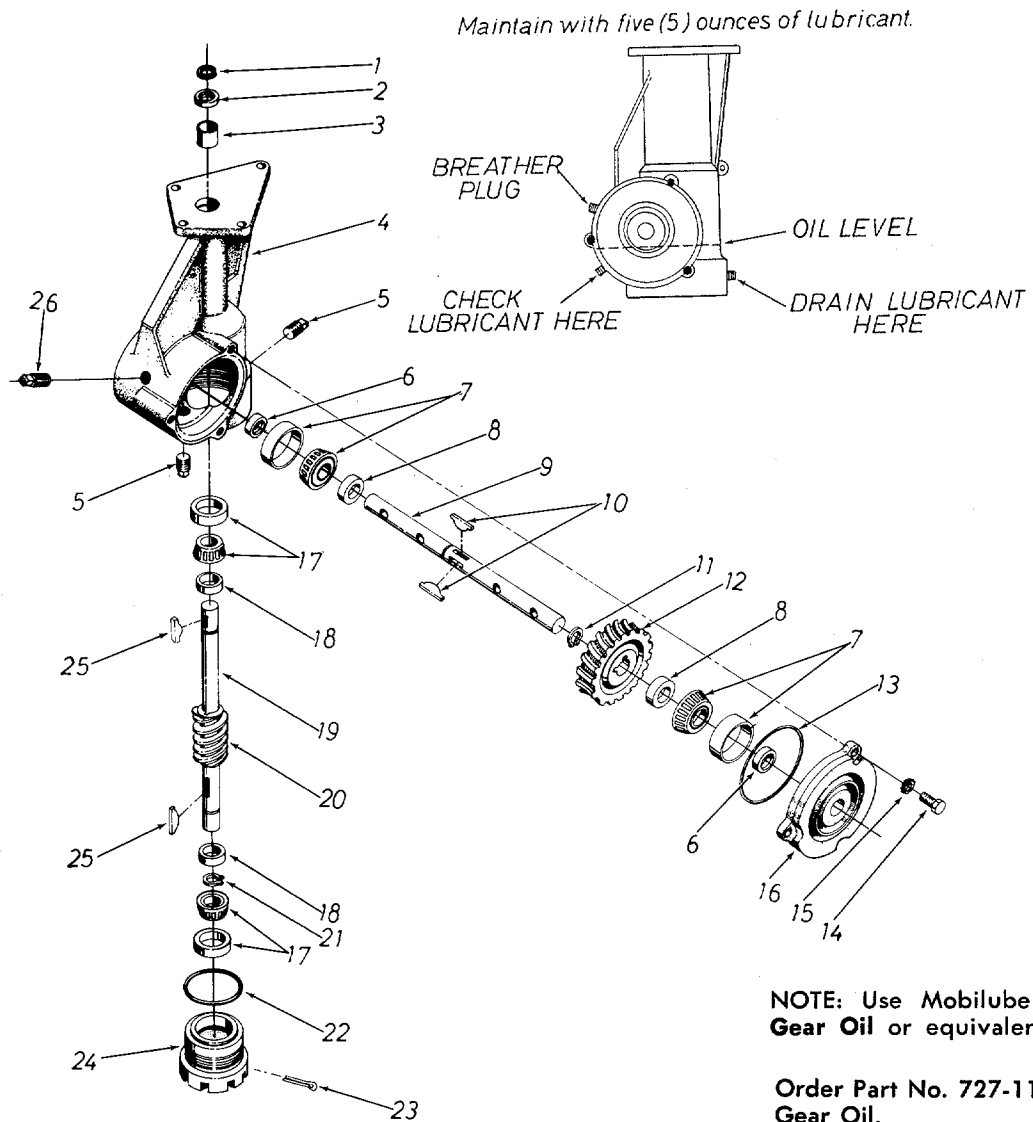
(474—Citrus) *When ordering parts if color or finish is important, use the appropriate color code shown at left.*
(e.g. Citrus—4624 (474)).

The engine is not under warranty by the tiller manufacturer. If repairs or service is needed on the engine, please contact your nearest authorized engine service outlet. Check the "Yellow Pages" of your telephone book under "Engines-Gasoline."

Find us fast in the



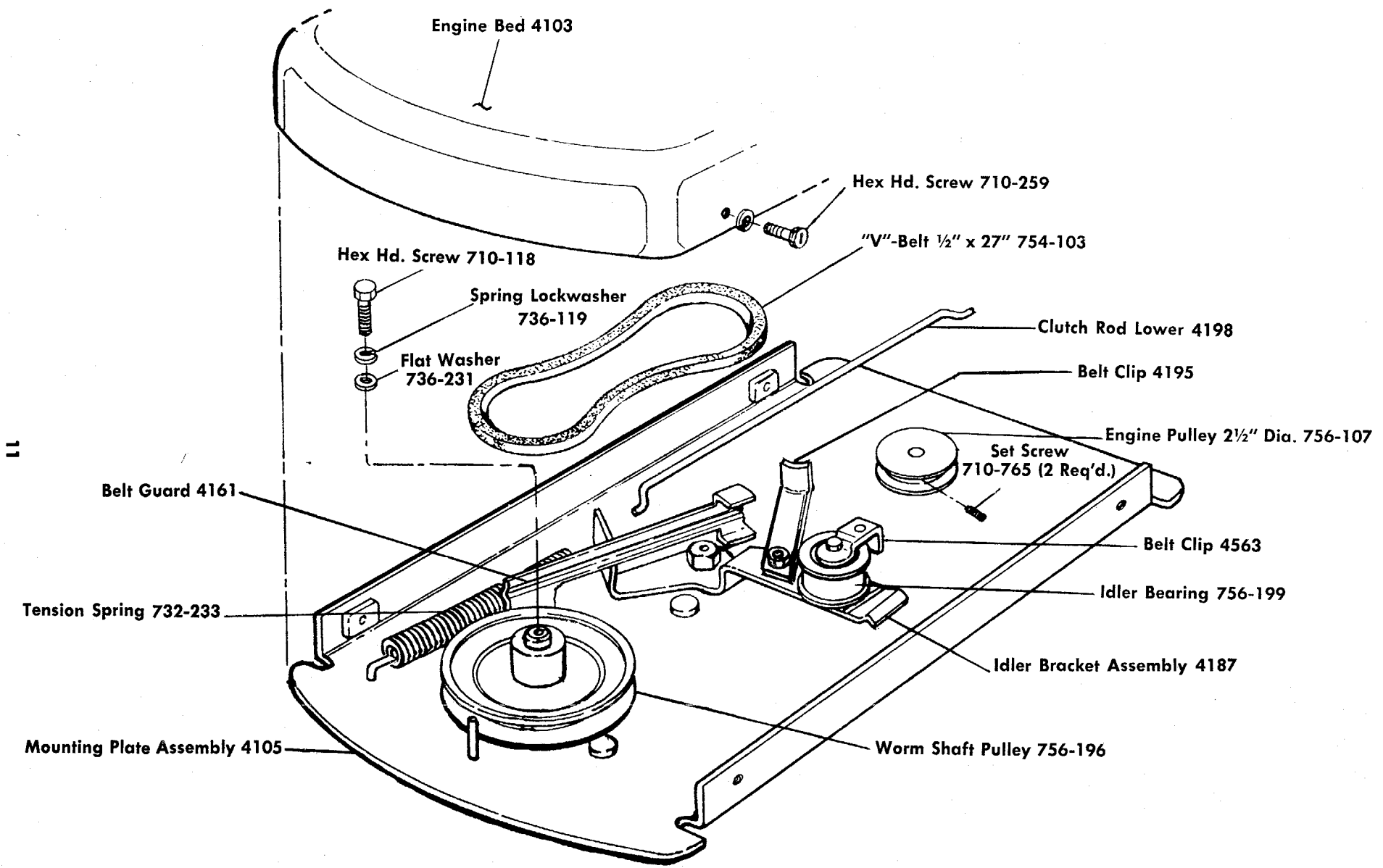
GEAR CASE ASSEMBLY 4500



PARTS LIST FOR GEAR CASE ASSEMBLY 4500

REF. NO.	PART NO.	COLOR CODE	DESCRIPTION	NEW PART	REF. NO.	PART NO.	COLOR CODE	DESCRIPTION	NEW PART
1	716-119		Snap Ring 3/4" Dia. Shaft		14	710-371		Hex Scr. 5/16-18 x .88" Lg.	
2	721-100		Oil Seal 3/4" Shaft		15	736-119		L-Wash. 5/16" Scr.*	
3	748-106		Sleeve Bearing .752" I.D.		16	717-227		Bearing Cap—Bolton Type	
4	717-226		Gear Case		17	741-107		Roller Bearing 3/4" Bore	
5	737-103		Sq. Hd. Pipe Plug 3/8" Thd.		18	711-469		Spacer .755" I.D. x 1.265" O.D.	
6	721-102		Oil Seal Double Lip 1" Shaft		19	738-171		Worm Shaft	
7	741-108		Roller Bearing 1" Bore		20	717-167		Worm	
8	711-131		Spacer 1.005" I.D. x 1.390" O.D.		21	716-101		Snap Ring for .750" Dia. Shaft	
9	711-133		Tine Shaft		22	735-100		O-Ring 2.12 x 2.38	
10	714-103		#91 Woodruff Key 1/4" x 3/4" Dia.		23	714-474		Cotter Pin 1/8" Dia. x .75" Lg.*	
11	716-102		Snap Ring for 1.00" Dia. Shaft		24	10538		Bearing Adjustment Cap	
12	717-105		Worm Wheel		25	714-126		#9 Hi-Pro Key 3/16 x 3/4" Dia.	
13	735-101		O-Ring 3.62 x 3.88		26	737-102		Sq. Hd. Pipe Plug with Vent 3/8" Thd.	

*For faster service, obtain standard nuts, bolts and washers locally. If these items cannot be obtained locally, order by part number and size, as shown on parts list.



11

PARTS INFORMATION

DEFECTIVE OR MISSING PARTS must be reported to the factory immediately. Such claims must include your model number and date of purchase.

POWER EQUIPMENT PARTS AND SERVICE

Parts and service for all MTD manufactured power equipment are available through the authorized service firms listed below. All orders should specify the model number of your unit, parts numbers, description of parts and the quantity of each part required.

A 1 Engine & Mower Co.
327 East 9th Street
Salt Lake City, Utah 84102

American Electric Ignition Co.
124 N. W. 8th Street
Oklahoma City, Oklahoma 73102

Auto Electric & Carburetor Co.
2525 4th Avenue, S.
P. O. Box 1948
Birmingham, Alabama 35233

Automotive Equipment Service Co.
3117 Holmes Street
Kansas City, Missouri 64109

Bailey's Rebuild Inc.
1325 E. Madison Street
Seattle Washington 98102

Bleckrie, Inc.
7900 Lorain Avenue
Cleveland, Ohio 44102

Brown Equipment Distributor Inc.
110 Beech Street
Corydon, Indiana 47112

Bullard Supply
2409 Commerce Street
Houston, Texas 77003

Carl A. Anderson Co.
623 S. 16th Street
Omaha, Nebraska 68102

Catto & Putty, Inc.
P. O. Box 2408
510 Soledad Street
San Antonio, Texas 78205

Center Supply Company
6867 New Hampshire Avenue
Takoma Park, Maryland 20012

Dixie Sales Company
P. O. Box 1408
327 Battleground Avenue
Greensboro, North Carolina 27402

East Point Cycle & Key Shop
1617 Whiteway
East Point, Georgia 30044

Gamble Distributors
West End Avenue
Carthage, New York 13619

Garden Equipment Co., Inc.
6600 Cherry Avenue
Long Beach, California 90805

Gardenville Supply, Inc.
Pipersville, Pennsylvania 18947

Henry W. O'Neil & Assoc., Inc.
410 North Goodman Street
Rochester, New York 14609

Henzler, Inc.
2015 Lemay Ferry Road
St. Louis, Missouri 63125

Kenton Supply
8216 North Denver Avenue
Portland, Oregon 97217

Kimber's Inc.
115 W. Geddes St.
Syracuse, New York 13204

The Lawnmower Shop
1340 El Camino Real
San Carlos, California 94070

Marr Brothers
423 E. Jefferson
Dallas, Texas 75203

Mathews Auto Electric Co.
420 East 2nd Street
Tulsa Oklahoma 74120

McClure Lawn & Garden Supply
1114 Lexington Avenue
Mansfield, Ohio 44907

Memphis Cycle & Supply Co.
421 Monroe Avenue
Memphis Tennessee 38103

Morton B. Collins Co.
300 Birnie Avenue
Springfield, Massachusetts 01107

Moz-All of Florida, Inc.
365 Greco Avenue
Coral Gables, Florida 33146

**National Central, Div. of
Joe Sterling, Inc.**
Drawer "D" 687 Seville Rd.
Wadsworth, Ohio 44281

Parts & Sales Inc.
2101 Industrial Pkwy.
Elkhart, Indiana 46514

Power Equipment Distributor
36463 So. Gratiot Avenue
Mt. Clemens, Michigan 48043

Power Lawn & Garden Equip. Co.
2551-2571 J. F. Kennedy Road
Dubuque, Iowa 52001

Radco Distributors
2403 Market Street
P. O. Box 3216
Jacksonville, Florida 32206

Raub Supply Company
James & Mulberry Sts.
Lancaster, Pennsylvania 17604

Richmond Battery & Ignition
P. O. Box 25369 - 957 Myers St.
Richmond, Virginia 23260

Smith Hardware Company
515 N. George Street
Goldsboro, North Carolina 27530

South Denver Lawn Equip. Co.
527 West Evans
Denver, Colorado 80223

Suhren Engine
8330 Earhart Blvd.
New Orleans, Louisiana 70118

Sutton's Lawn Mower Shop
Route 4, Box 343
North Little Rock, Arkansas 72117

Warner Equipment
7520 Lyndale Avenue, So.
Minneapolis, Minnesota 55423

Woodson Sales & Service
1702 North Sylvania
Ft. Worth, Texas 76111

WARRANTY PARTS AND SERVICE POLICY

The purpose of warranty is to protect the customer from defects in workmanship and materials, defects which are NOT detected at the time of manufacture. It does not provide for the unlimited and unrestricted replacement of parts. Use and maintenance are the responsibility of the customer. The manufacturer cannot assume responsibility for conditions over which it has no control. Simply put, if it's the manufacturer's fault, it's the manufacturer's responsibility; if it's the customer's fault, it's the customer's responsibility.

CLAIMS AGAINST THE MANUFACTURER'S WARRANTY INCLUDES

1. Replacement of Missing Parts on new equipment.
2. Replacement of Defective Parts within the warranty period.
3. Repair of Defects within the warranty period.

All claims MUST be substantiated with the following information:

1. Model Number of unit involved.
2. Date unit was purchased or first put into service.
3. Date of failure.
4. Nature of failure.

Free Manuals Download Website

<http://myh66.com>

<http://usermanuals.us>

<http://www.somanuals.com>

<http://www.4manuals.cc>

<http://www.manual-lib.com>

<http://www.404manual.com>

<http://www.luxmanual.com>

<http://aubethermostatmanual.com>

Golf course search by state

<http://golfingnear.com>

Email search by domain

<http://emailbydomain.com>

Auto manuals search

<http://auto.somanuals.com>

TV manuals search

<http://tv.somanuals.com>