

Owner's Operating Service Instruction Manual

10 ¢

Model Nos.
215-370A
215-375A

- ASSEMBLY
- OPERATION
- REPAIR PARTS

5 & 8 H.P. Two-Speed HORIZONTAL TILLERS

WARRANTY

For one year from date of purchase, MTD Products Inc will replace for the original purchaser, free of charge, F.O.B. factory or authorized service firm, any part or parts found to be defective in material or workmanship. All transportation charges on parts submitted for replacement under this warranty must be paid by the purchaser. This warranty does not include replacement of parts which become inoperative through misuse, excessive use, accident, neglect, improper maintenance or alterations by unauthorized persons. This warranty does not include the engine, motor, battery, battery charger or any component parts thereof. For service on these units, refer to the applicable manufacturer's warranty.

The above warranty will apply only to the original owner and will be effective only if the warranty card has been properly processed. It will not apply where the unit has been used commercially.

Warranty service is available through your local authorized service dealer or distributor. **UNDER NO CIRCUMSTANCES WILL THE RETURN OF A COMPLETE UNIT BE ACCEPTED BY THE FACTORY UNLESS PRIOR WRITTEN PERMISSION HAS BEEN EXTENDED.**

MTD PRODUCTS INC • 5389 WEST 130th STREET • P. O. BOX 2741 CLEVELAND OHIO 44111
PRINTED IN U.S.A. FORM NO. 770-5634

SAFETY RULES

1. Your tiller is a precision piece of power equipment. Exercise extreme caution at all times.
2. Do not attempt to start engine with the clutch control in the engaged or FORWARD position.
3. Stand clear of tines when starting engine. Never stand in front of, or work on tines while the engine is running.
4. NEVER place hands or feet in the vicinity of the tines while the engine is running.
5. Always stop engine when tiller is not in actual use.
6. Always disconnect spark plug wire during repairs or refueling operations.
7. Do not fill gas tank while engine is running. Do not spill gasoline on hot engine.

Your rotary tiller is designed to take the work out of gardening and other related chores. It can be used for seed bed preparation, tilling, cultivating, furrowing, composting and mulching. Like any other piece of power equipment, it requires a certain amount of care and maintenance. In return for this, it will give a maximum of service and efficiency. Read these instructions carefully before assembling or operating your tiller. Through proper care and operation, you will obtain long, efficient service and trouble-free operation.

NOTE

The engine is shipped without oil in the crankcase. See engine manual for correct type and amount.

ASSEMBLY

Your rotary tiller is shipped complete in a single carton. The outer tines, wheels, handle, controls, depth bar and tailpiece are to be assembled. This is done in the manner described below.

TINE ASSEMBLY

- Step 1. The inner tine assemblies are already assembled to the tiller.
- Step 2. The outer tine assemblies are inverted on the tine shaft and MUST be removed and turned around.
- Step 3. Remove the outer tine assembly and turn around so that the sharp edge of the tines enter the soil first. Secure with bolt and locknut. See page 14.

WHEELS

Insert axle bolt into wheel place Belleville washer on threaded part of axle bolt. Crown of washer should be positioned towards the wheel. Insert axle bolt in wheel mounting hole of handle/wheel bracket assembly and fasten with lockwasher and hex nut. See figure 1.

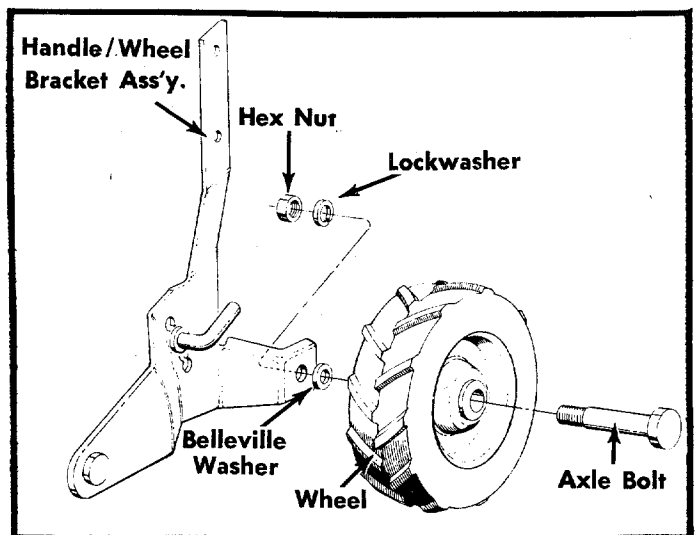


FIGURE 1. WHEEL ASSEMBLY

HANDLE ASSEMBLY

Assemble the handle to the bracket with four cap screws, washers and hex nuts. See figure 2.



FIGURE 2. HANDLE ASSEMBLY

CLUTCH CONTROL

Place the clutch control lever through the handle panel and attach it to the bracket using a screw and hex nut with two metal washers and a rubber washer between the bracket and clutch control as shown in figure 3.

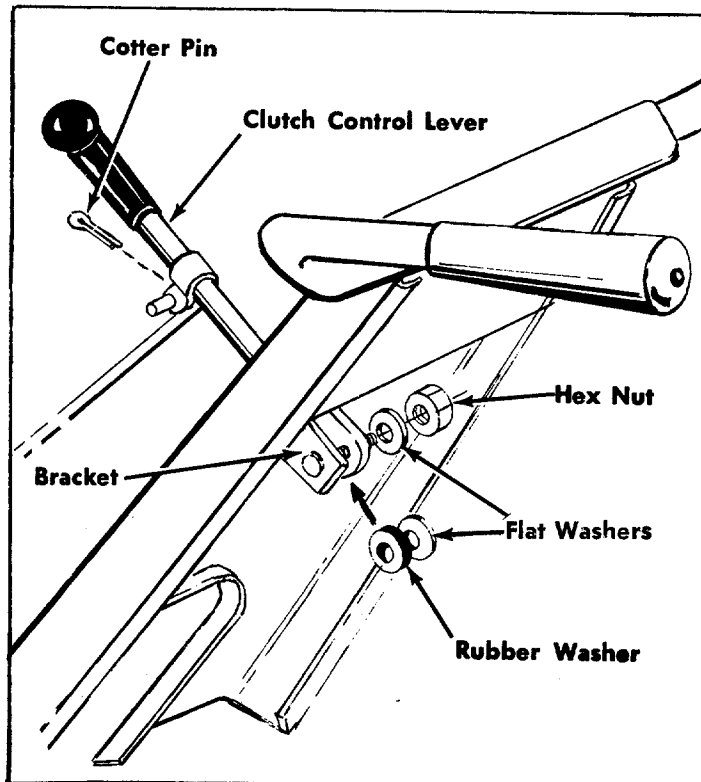


FIGURE 3. CLUTCH CONTROL

CONTROL ROD

Place the clutch control lever in neutral as shown in figure 4. Screw the ferrule onto the control rod so that approximately $\frac{1}{4}$ inch of threads are showing below the ferrule. Assemble the ferrule to the pivot idler bracket and secure with a cotter pin.

Adjust the ferrule location on the control rod so both the forward and reverse belts are slack with the clutch control lever in the NEUTRAL position. Secure with a cotter pin.

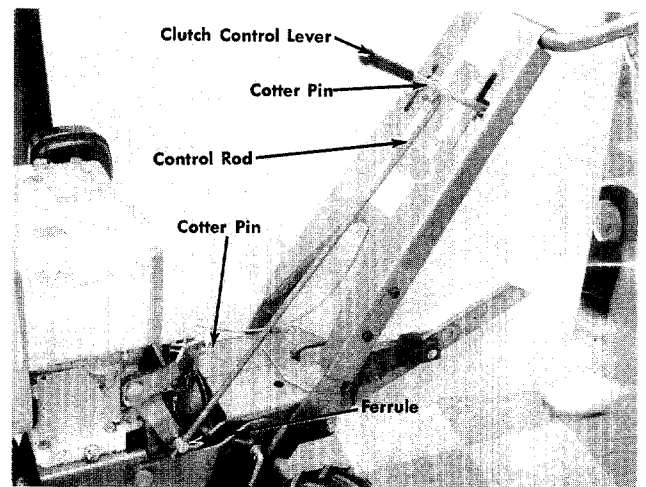


FIGURE 4. CONTROL ROD

THROTTLE

Assemble throttle control as shown in figure 5.

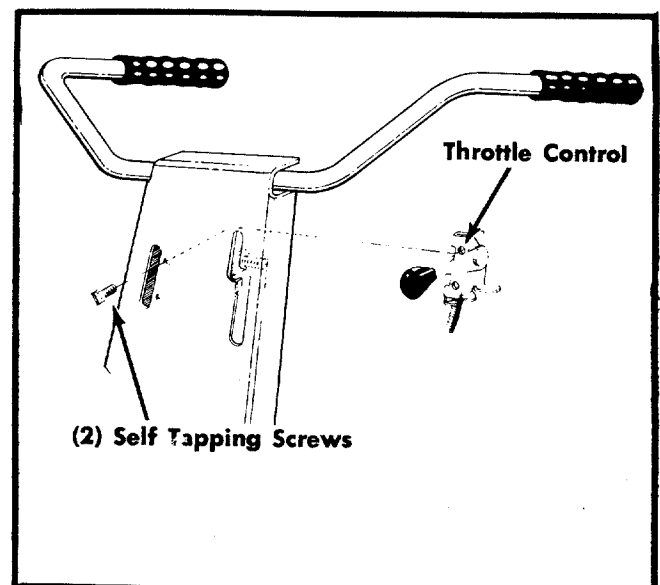


FIGURE 5. THROTTLE CONTROL

TAILPIECE

Attach the tailpiece to tiller with "U" clevis pin and secure with spring pin. See figure 7.

NOTE

The "U" channel bracket assembly has been assembled loose so that the tail piece can be easily assembled to the unit. After assembly of tail piece tighten nuts and bolts tightly. See figure 6.

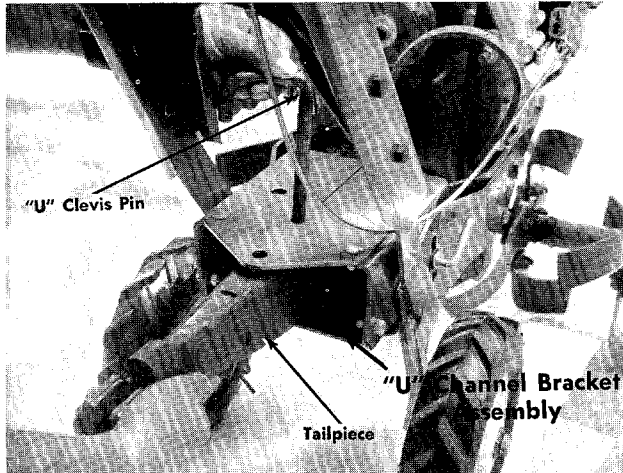


FIGURE 6. TAILPIECE

DEPTH BAR

Attach the depth bar to the tailpiece with a clevis pin and secure with the spring pin. See figure 8.

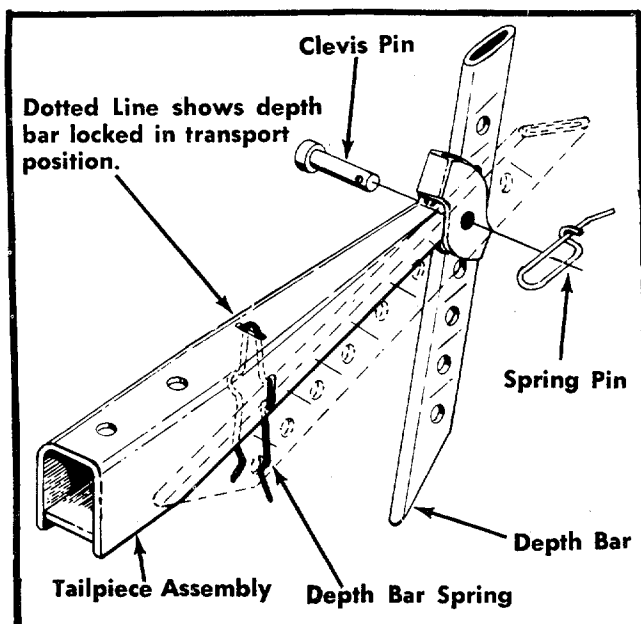


FIGURE 7. DEPTH BAR

CHECK LIST BEFORE OPERATION

1. Remove spark plug wire from spark plug and ground. Check tiller tines for proper installation. With throttle control lever set on STOP position and the clutch control handle set in FORWARD position, slowly crank engine to determine direction of tine rotation. Be sure all tines are mounted so the sharpened edges enter the soil first.
2. Place the clutch control lever in the NEUTRAL position. Slowly crank engine. The tines should not rotate. If they do, readjust control rod.
3. Check all nuts and bolts for correct tightness. This is especially important during the initial operation period. Make the same check periodically thereafter.
4. Check throttle control for proper setting. Move throttle control knob to STOP position. Move lever, to which control wire is fastened at engine, to CLOSE position and retighten screw to secure throttle control wire assembly.
5. Check gear case for proper lubricant level. With tiller on a level surface, lubricant level should be up to the front pipe plug opening. This can be checked by removing front pipe plug. Maintain correct lubricant level with Mobilube SAE 140 gear oil or equivalent. The gear case holds five (5) ounces of lubricant.
6. Fill fuel tank. Clean, fresh, regular grade gasoline should be used at all times.
7. Check engine crankcase for proper oil level. The engine is shipped without oil in the crankcase. Be sure crankcase is FULL. See engine manual.

STARTING YOUR TILLER

1. Be sure clutch control lever is in NEUTRAL position.
2. Move throttle control lever to STOP position.
3. Move choke lever, located at the engine, to CHOKE position. Refer to your engine manual.
4. Pull the starter rope to start the engine. More than one pull may be required the first time. When the engine fires, move the throttle control lever to RUN position.
5. Use Choke as needed to keep engine operating during warm-up period.
6. Adjust throttle control lever for desired operating speed.
7. Check and make sure tines do not turn in NEUTRAL position.
8. To stop engine, move throttle control lever to STOP position. Keep throttle control lever in STOP position at all times when tiller is not in use.

NOTE

A brief break-in period is essential to insure maximum engine life. This consists of running the engine at half speed for a period of time required to use one tank of gasoline. This is necessary on the initial run only. It is also recommended that the oil be changed after five (5) hours of operation. This allows for the removal of impurities which may have accumulated during the break-in period. Subsequent oil changes should be made as stated in the engine manual. Always check oil before using your tiller especially during the break-in period. Be sure oil level is adequate.

NOTE

The Low Speed Groove for the 5 H.P. tiller is the groove closest to the engine. The Low Speed Groove for the 8 H.P. tiller is the groove towards the operator. See figure 8.

The High Speed Groove for the 5 H.P. tiller is the groove towards the operator. The High Speed Groove for the 8 H.P. tiller is the groove closest to the engine. See figure 8.

TWO SPEED ADJUSTMENT

Your tiller can be operated in two speed ranges. See figure 8.

The forward drive belt can be in either the high speed groove or the low speed groove. The soil condition determines the best speed range for your tiller. To change belt from one groove to the other, shut off the engine remove the spark plug wire and ground, pull the clutch control lever into REVERSE with your left hand and move the belt on the upper pulley to the other groove. Repeat with the lower pulley.

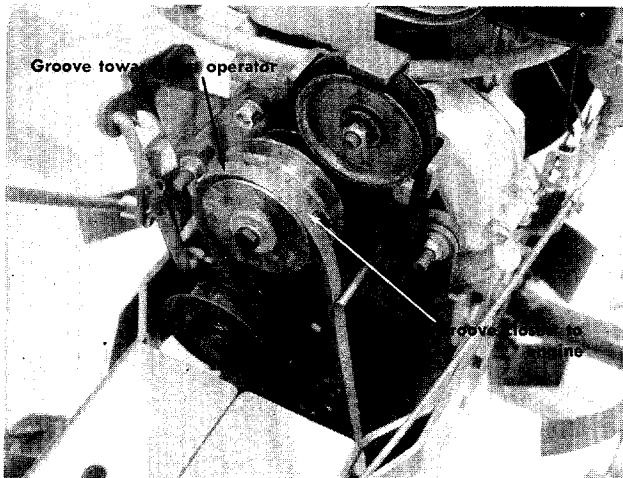


FIGURE 8. TWO SPEED ADJUSTMENT

HANDLE ADJUSTMENT

The handle may be adjusted to five different heights by loosening the adjusting screw (and pulling it out enough to clear the notches) on each side of the handle and pivoting the handle up or down. See figure 9.

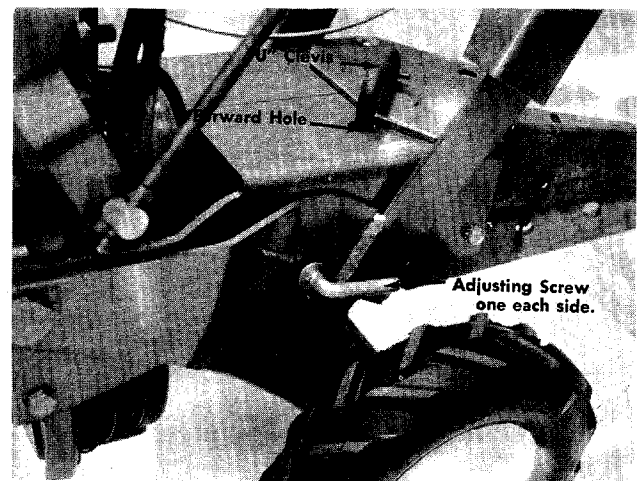


FIGURE 9. HANDLE ADJUSTMENT

TAILPIECE ADJUSTMENT

The tailpiece can be made stationary or free floating. To be free floating simply lift the "U" clevis and rotate "U" clevis to engage forward hole and push down. See figure 9. See figure 2 for stationary position.

OPERATING INSTRUCTIONS

For your own convenience and safety, observe all safety suggestions shown on page 2. Your tiller is not a toy, it is a precision piece of power equipment. Treat it as such.

It is important to recognize the fact that the forward and penetrating action of the rotary tiller is obtained from the rotating action of the tines in the soil. The depth bar acts as a brake for the tiller and controls the depth and speed at which the machine will operate. By lowering the setting of the depth bar, the forward speed of the machine is reduced and the working depth of the tines is increased. Raising the setting of the depth bar increases the forward speed and reduces the working depth. When soil conditions are severe and several passes must be made over a certain area, the depth bar setting should be lowered each time a pass is made. Further control of tilling depth and travel speed can be obtained by variation of pressure on the handle or the throttle setting. A downward pressure on the handles will increase the working depth and reduce the forward speed. An upward pressure on the handles will reduce the working depth and increase the forward speed. The type of soil and working conditions will determine the actual setting of the depth bar and the handle pressure required.

NOTE

If the tines tend to bounce instead of cutting into the soil, one or more sets of tines may be on backwards. The cutting edge of the tines should enter the soil first.

1. Tine engagement and forward travel is achieved by moving the clutch control lever to FORWARD position. Tine rotation and forward motion are stopped by moving the clutch control handle to NEUTRAL position. Reverse tine action and reverse travel motion can be maintained by HOLDING the clutch control handle in REVERSE position. Releasing the handle stops reverse operation automatically.
2. The throttle control lever adjusts the engine speed. It also gives finger tip control of the carburetor and magneto stop switch. With the throttle control knob pushed completely forward, the carburetor is in START position. Pulling the knob back slightly adjusts the engine speed to FAST. Pulling the knob back further reduces the engine speed to SLOW. When the knob is pulled completely back, the magneto stop switch grounds out the spark and stops the engine.
3. With the depth bar positioned out of ground engagement position, self propelled transporting of the tiller is easily achieved. With no pressure on the handles and the throttle control set for SLOW engine speed, move the clutch control handle to the FORWARD position and let the tiller gently propel itself.

ADJUSTMENTS

Belts. Belt slack is taken up by a spring loaded idler pulley. Because of this, belt adjustment is not required.

Clutch. No adjustment of the lower clutch rod is required. This is done automatically by the spring loaded idler.

NOTE

Belt and clutch adjustments can be made with the adjustable control rod.

Throttle. If adjustment becomes necessary, the throttle control wire assembly can be reset as follows:

1. Loosen, but do not remove, screw securing throttle control wire assembly at engine.
2. Move throttle control knob to STOP position.
3. Move lever, to which control wire is fastened at engine, to STOP position and retighten screw to secure throttle control wire assembly.

Tines. The standard width of cut is 26". Because of the various types of work the tiller may be put to, variation in the tilling widths may be necessary. This can be accomplished in a number of ways.

1. Standard tine arrangement ----- 26"
2. Remove both outer tine assemblies ----- 12"
3. Remove tines that point outward from outer tine assemblies. Tines may be interchanged with opposite sides ----- 20"
4. Add tine extensions to standard arrangement -- 40"

NOTE

When adjusting tines, be sure the cutting edges enter the soil first.

MAINTENANCE AND LUBRICATION

Engine. Service engine in accordance with the engine manufacturer's owner's guide.

NOTE

To drain oil remove oil filler plug and tip tiller on its side. Drain oil while the engine is warm. See engine manual for filling instructions.

Throttle. Periodically lubricate throttle control lever and throttle control wire assembly with a few drops of light oil (SAE 10 or 20) for ease of operation.

Gear Case. Proper lubricant level should be up to the front pipe plug. Check with tiller on a level surface. Add lubricant through vented pipe plug hole. Add enough to bring level up to front pipe plug hole. Use Mobilube SAE 140 gear oil or equivalent. Gear case should be maintained with five (5) ounces of lubricant.

TILLER GEAR CASE BEARING ADJUSTMENT CAP (Small)

If the bearing adjustment cap on the worm shaft is over-tightened the bearings on the worm shaft can seize during operation.

The cap should protrude approximately 1/32" to 1/16" from the gear case.

REPLACING TILLER GEAR CASE OIL SEALS

1. Drain lubricant.
2. Remove tine assemblies.
3. Remove bearing cap. (See reference 24, pages 10 and 11.)
4. Remove bearings, worm wheel and tine shaft. Do not remove bearing races.

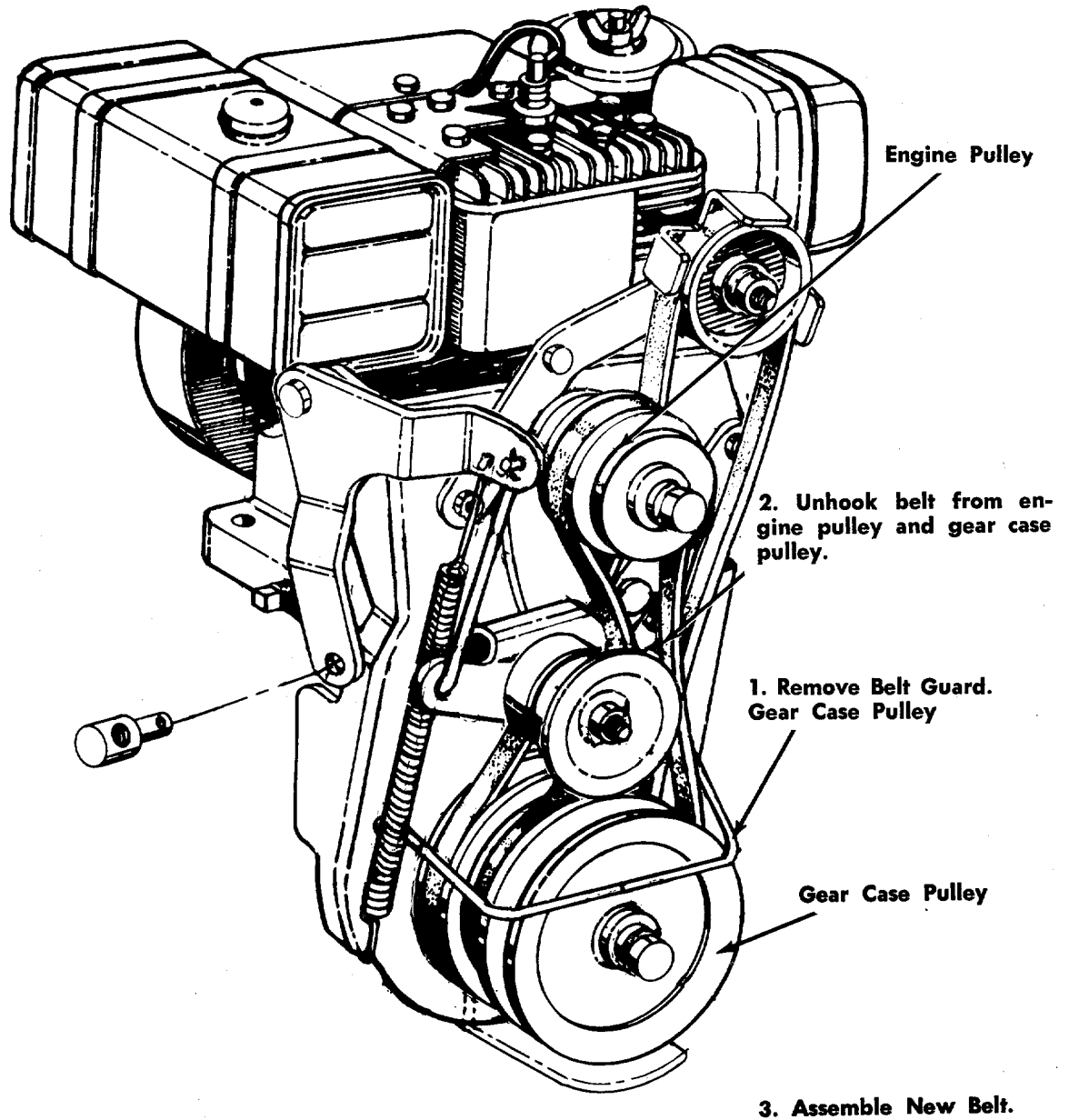
5. Remove oil seals from gear case and bearing cap.
6. Remove all burrs from holes in tine shaft.
7. Dip oil seals in lubricant and then insert one in gear case and one in bearing cap.
8. Wipe tine shaft clean of filings and lubricate before assembling with bearings and worm wheel in gear case. Insert shaft slowly to prevent seals from catching in holes in shaft.
9. Replace bearing cap.

CAUTION

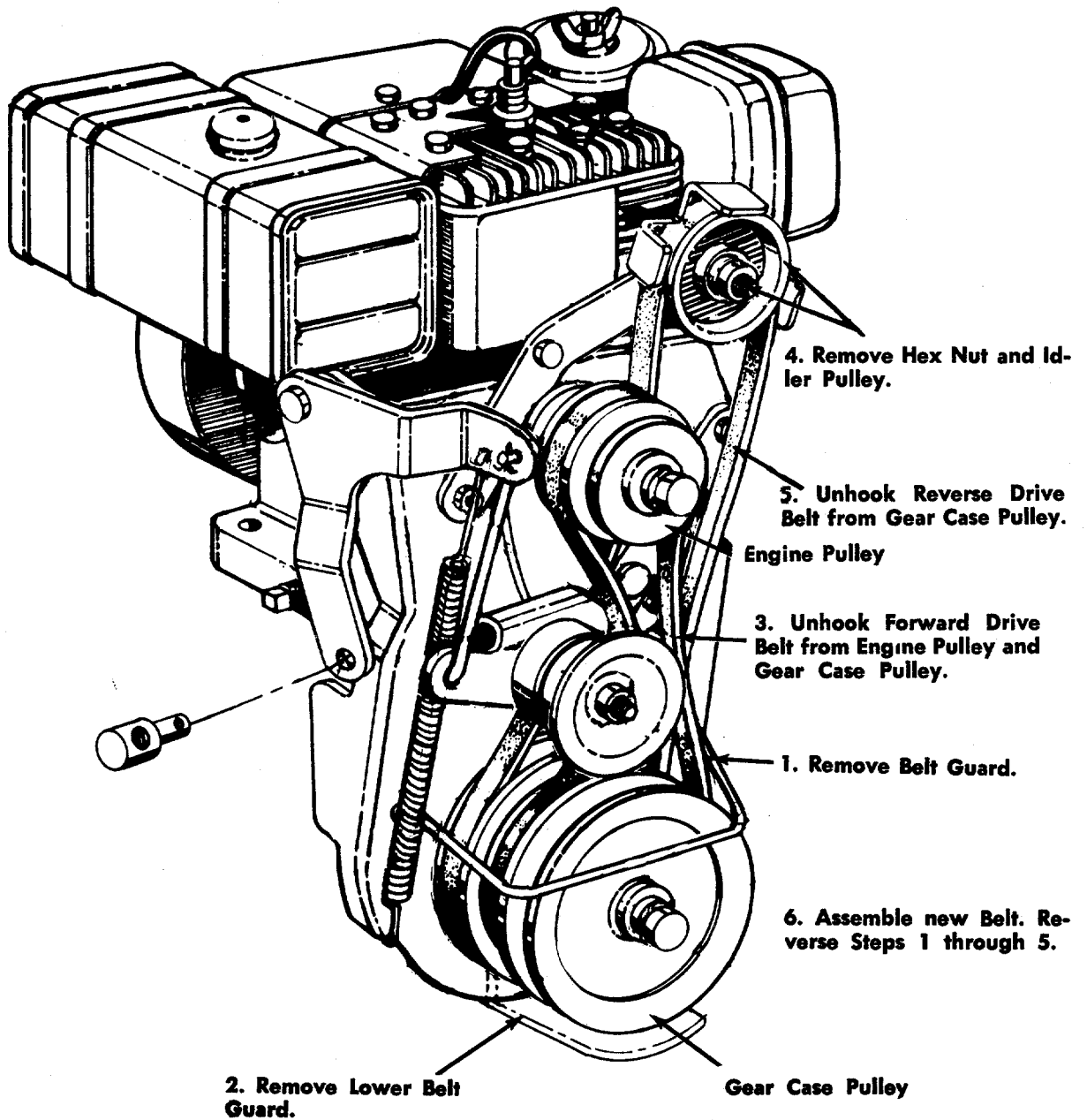
Do not damage oil seals. The open flanges face to the outside of the gear case.

10. Tighten bearing cap, retighten screws evenly.
11. Replace tine assemblies and add lubricant. (See gear case above.)

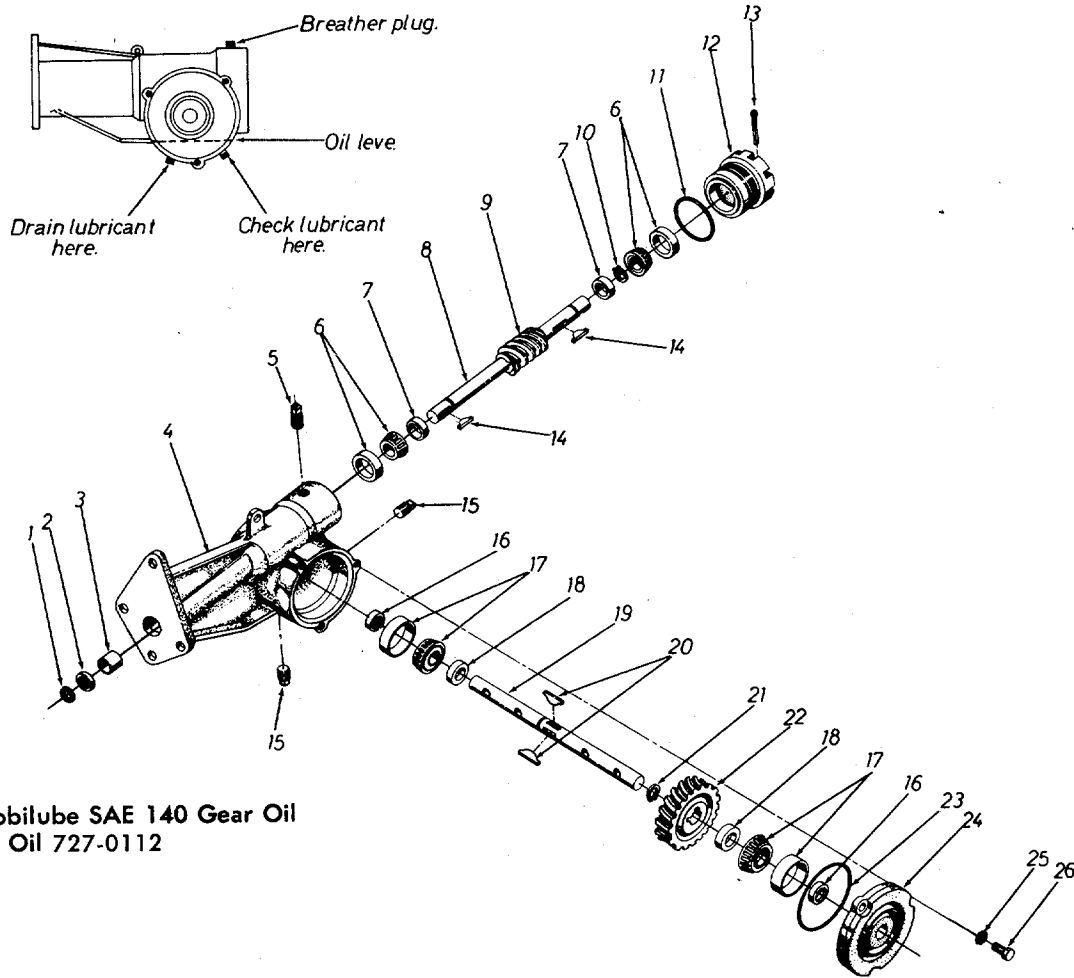
BELT REMOVAL
FORWARD DRIVE



BELT REMOVAL
REVERSE DRIVE



Maintain with five(5)ounces of lubricant.



NOTE: Use Mobilube SAE 140 Gear Oil
SAE 140 Gear Oil 727-0112
or equivalent.

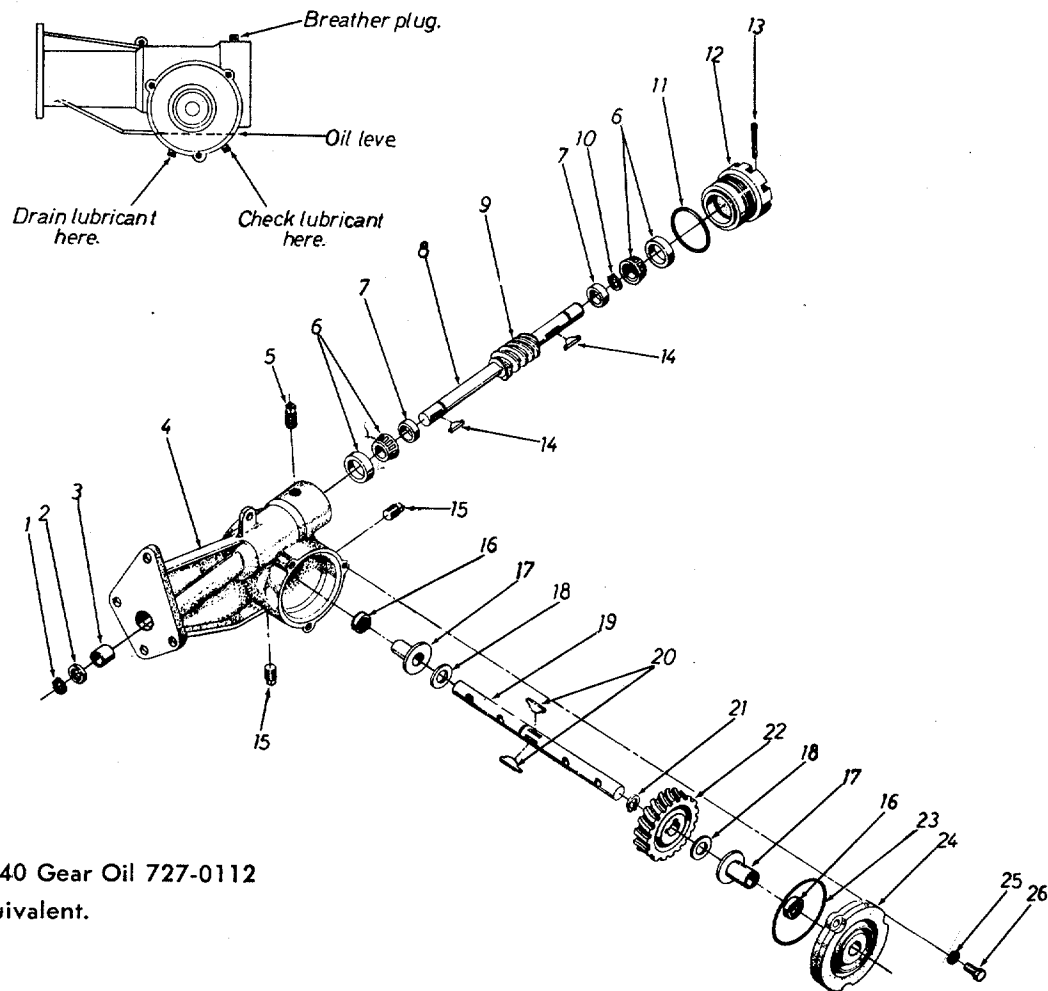
371

PARTS LIST FOR GEAR CASE ASSEMBLY 04498 FOR 215-370A

REF. NO.	PART NO.	COLOR CODE	DESCRIPTION	NEW PART	REF. NO.	PART NO.	COLOR CODE	DESCRIPTION	NEW PART
1	716-0119		Snap Ring for .750" Dia. Shaft		15	737-0103		Sq. Hd. Pipe Plug 3/8" Thd.	
2	721-0100		Oil Seal—.750" Shaft		16	721-0102		Oil Seal Double Lip 1" Shaft	
3	748-0106		Sleeve Brg. .752" I.D.		17	741-0108		Roller Brg. 1" Bore	
4	717-0226		Gear Case		18	711-0131		Spacer 1.005 I.D. x 1.390 O.D.	
5	737-0102		Sq. Hd. Pipe Plug with Vent 3/8" Thd.		19	711-0133		Tine Shaft 1" Dia.	
6	741-0107		Roller Brg. .750" Bore		20	714-0103		#91 Woodruff Key 1/4" x 3/4" Dia.	
7	711-0469		Spacer .755" I.D. x 1.265" O.D.		21	716-0102		Snap Ring for 1" Shaft	
8	738-0170		Worm Shaft 3/4" Dia.		22	717-0105		Worm Wheel	
9	717-0167		Worm		23	735-0101		O-Ring 3.62 x 3.88	
10	716-0101		Snap Ring for .750" Dia. Shaft		24	717-0227		Bearing Cap—Bolt-on Type	
11	735-0100		O-Ring 2.12 x 2.38		25	736-0119		L-Wash. 5/16" Scr.*	
12	10583		Brg. Adjustment Cap		26	710-0371		Hex Scr. 5/16-18 x .88" Lg.—Special	
13	714-0474		Cotter Pin 1/8" Dia. x .75" Lg.*						
14	714-0126		#9 Hi-Pro Key 3/16 x 3/4" Dia. Hdn.						

*For faster service obtain standard nuts and bolts locally. If these items cannot be obtained locally, order by part number and size as shown on the parts list.

Maintain with five(5)ounces of lubricant.



NOTE: SAE 140 Gear Oil 727-0112
or equivalent.

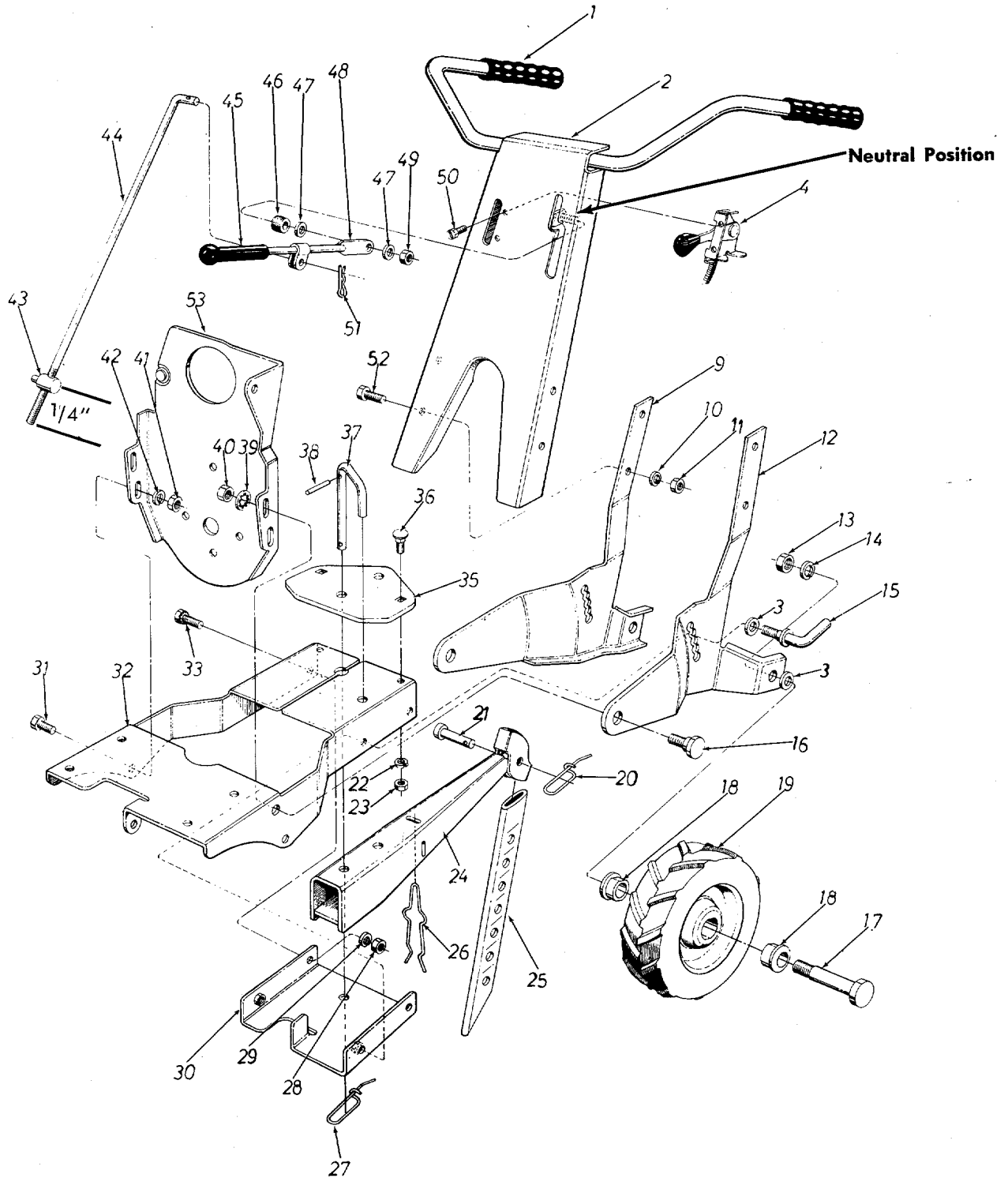
PARTS LIST FOR GEAR CASE ASSEMBLY 04499 FOR 215-375A

REF. NO.	PART NO.	COLOR CODE	DESCRIPTION	NEW PART	REF. NO.	PART NO.	COLOR CODE	DESCRIPTION	NEW PART
1	716-0119		Snap Ring for .750" Dia. Shaft		15	737-0103		Sq. Hd. Pipe Plug 3/8" Thd.	
2	721-0100		Oil Seal—.750" Shaft		16	721-0117		Oil Seal Double Lip 1.25" Shaft	
3	748-0106		Sleeve Brg. .752" I.D.		17	748-0194		Flange Brg. 1.25" Shaft	
4	717-0279		Gear Case		18	736-0246		Fl. Wash. 1.25 I.D. x 2.00" O.D.	
5	737-0102		Sq. Hd. Pipe Plug with Vent 3/8" Thd.		19	711-0499		Tine Shaft 1.25" Dia.	
6	741-0107		Roller Brg. .750" Bore		20	714-0135		#91 Woodruff Key 1/4"	
7	711-0469		Spacer .755" I.D. x 1.265" O.D.		21	716-0116		Snap Ring for 1.25" Shaft	
8	738-0170		Worm Shaft 3/4" Dia.		22	717-0181		Worm Wheel	
9	717-0180		Worm		23	735-0101		O-Ring 3.62 x 3.88	
10	716-0101		Snap Ring for .750" Dia. Shaft		24	717-0280		Bearing Cap	
11	735-0100		O-Ring 2.12 x 2.38		25	736-0119		L-Wash. 5/16" Scr.*	
12	10583		Brg. Adjustment Cap		26	710-0371		Hex Scr. 5/16-18 x .88" Lg.— Special	
13	714-0474		Cotter Pin 1/8" Dia. x .75" Lg.*						
14	714-0126		#9 Hi-Pro Key 3/16 x 3/4" Dia. Hdn.						

*For faster service obtain standard nuts and bolts locally. If these items cannot be obtained locally, order by part number and size as shown on the parts list.

215-370A 215-375A

IF YOU WRITE TO US ABOUT THIS ARTICLE
OR IF YOU ORDER REPLACEMENT PARTS AL-
WAYS MENTION THIS MODEL & SERIAL NO
MODEL



PARTS LIST FOR MODEL 215-370A AND 215-375A

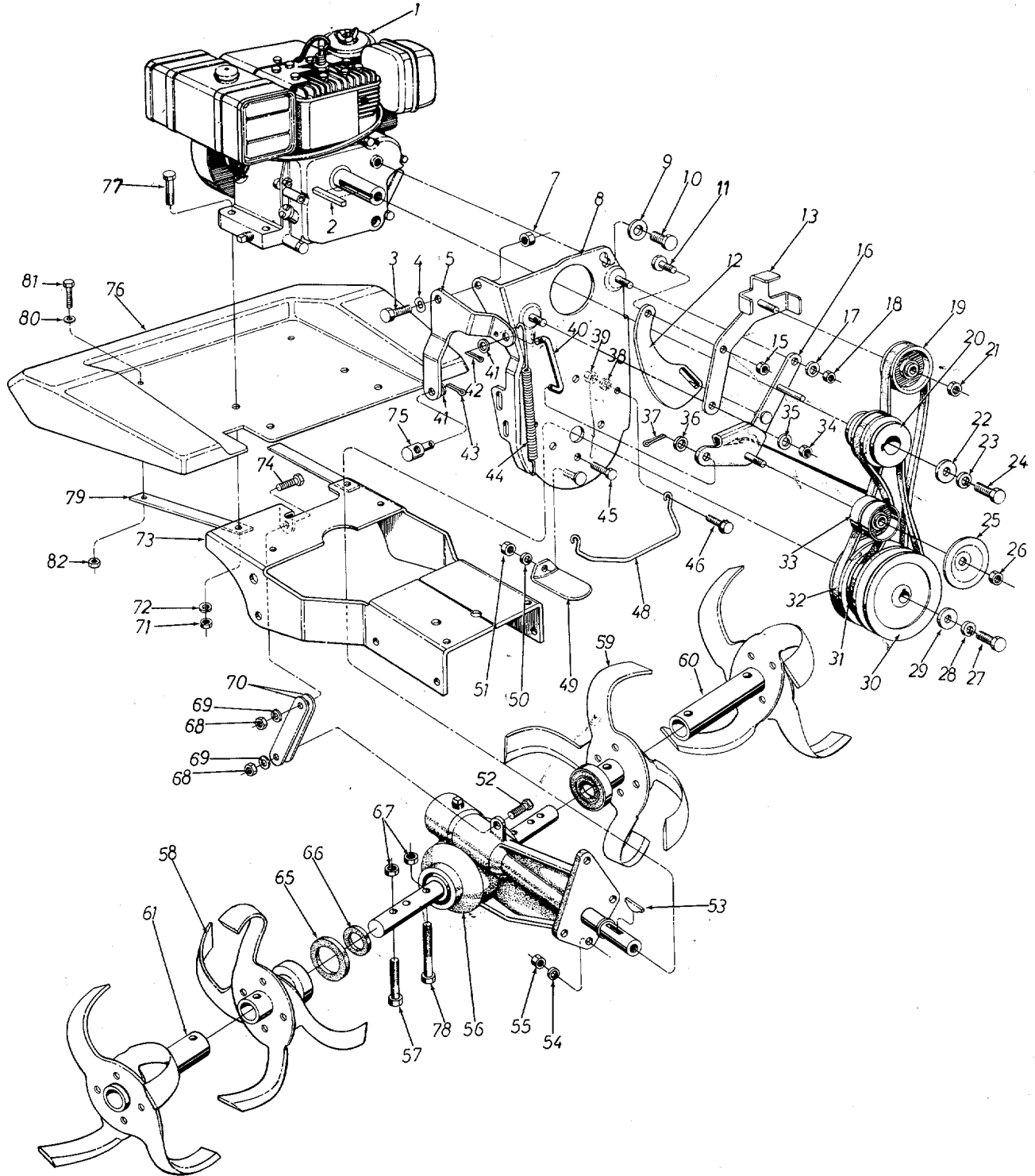
REF. NO.	PART NO.	COLOR CODE	DESCRIPTION	NEW PART	REF. NO.	PART NO.	COLOR CODE	DESCRIPTION	NEW PART
1	01166		Grip		28	712-0267		Hex Nut 5/16-18" Thd.*	
2	04626—458		Handle Ass'y.		29	736-0119		L-Wash. 5/16" Scr.*	
3	736-0253		Belleville Wash. .505 I.D. x 1.00 O.D.		30	04631—458		"U" Channel Brkt. Ass'y.	
4	746-0244		Throttle Control Ass'y.—Comp.		31	710-0152		Hex Scr. 3/8-24 x 1.00" Lg.*	
9	04638—458		Handle/Wheel Brkt. Ass'y.—R.H.		32	04633—458		Tiller Frame	
10	736-0169		L-Wash. 3/8" Scr.*		33	710-0198		Hex Sems Scr. 5/16-18 x .75" Lg.*	
11	712-0798		Hex Nut 3/8-16 Thd.*		35	04586—458		"U" Channel Plate	
12	04637—458		Handle/Wheel Brkt. Ass'y.—L.H.		36	710-0451		Carriage Bolt 5/16-18 x .75" Lg.*	
13	712-0394		Hex Cent. L-Nut 1/2-13 Thd.*		37	04602		"U" Clevis Pin .500" Dia.	
14	736-0253		Bell-Wash. .505 I.D.		38	715-0133		Spring Pin Spiral 5/32 Dia. x .875" Lg.	
15	710-0584		Adj. Screw	N	39	736-0190		Ext. L-Wash. 1/2" Scr.*	
16	738-0239		Shoulder Scr. 3/4" Dia. x .222" Lg.		40	712-0239		Hex Cnt. L-Nut 1/2-20 Thd.*	
17	738-0240		Shoulder Scr. 5/8" Dia. x 2.75" Lg.		41	712-0214		Hex Cnt. L-Nut 3/8-24 Thd.*	
18	741-0116		Flange Brg. with Flats .631 I.D.		42	736-0148		Ext. L-Wash. 3/8" Scr.*	
19	734-0573		Wheel Ass'y.—Comp.		43	711-0392		Ferrule	
20	732-0194		Spring Pin		44	711-0610		Control Rod	
21	711-0231		Clevis Pin .50" Dia.		45	720-0143		Grip	
22	736-0119		L-Wash. 5/16" Scr.*		46	735-0126		Rubber Washer	
23	712-0267		Hex Nut 5/16-18" Thd.*		47	736-0159		Fl. Wash. .344" I.D. x .87" O.D.	
24	04589—458		Tail Piece Ass'y.		48	04392		Clutch Control Lever	
25	04668—458		Depth Bar	N	49	712-0158		Hex Cent. L-Nut 5/16-18 Thd.	
26	732-0290		Depth Bar Spring		50	710-0160		Hex AB-Tapp Scr. #8 x .62" Dia.	
27	732-0194		Spring Pin		51	714-0104		Int. Cotter Pin 3/32 x 5/16" Dia.	
					52	710-0253		Hex Scr. 3/8-16 x 1.00" Lg.*	
					53	04634—458		Mg. Plate Ass'y.	

<p>215-370A 5 H.P. Only</p> <p>Inner Tine Assembly—L.H.—Complete— 742-0150 Inner Tine Assembly—R.H.—Complete— 742-0151 Outer Tine Assembly—L.H.—Complete— 742-0153 Outer Tine Assembly—R.H.—Complete— 742-0152</p>	<p>OPTIONAL TINE EXTENSION</p> <p>215-370A (5 H.P. Only) Order Part No. 295-166A</p>
<p>215-375A 8 H.P. Only</p> <p>Inner Tine Assembly—L.H.—Complete— 742-0159 Inner Tine Assembly—R.H.—Complete— 742-0160 Outer Tine Assembly—L.H.—Complete— 742-0161 Outer Tine Assembly—R.H.—Complete— 742-0162</p>	<p>OPTIONAL TINE EXTENSION</p> <p>215-375A (8 H.P. Only) Order Part No. 295-166A</p>

*For faster service, obtain standard nuts, bolts and washers locally. If these items cannot be obtained locally, order by part number and size, as shown on parts list.

215-370A 215-375A

IF YOU WRITE TO US ABOUT THIS ARTICLE
OR IF YOU ORDER REPLACEMENT PARTS AL-
WAYS MENTION THIS MODEL & SERIAL NO
MODEL



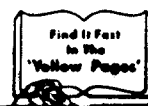
PARTS LIST FOR MODELS 215-370A AND 215-375A

REF. NO.	PART NO.	COLOR CODE	DESCRIPTION	NEW PART	REF. NO.	PART NO.	COLOR CODE	DESCRIPTION	NEW PART
1	—		Engine		50	736-0119		L-Wash. 5/16" Scr.*	
2	714-0139		Sq. Key 3/16 x 3/16 x 2.00" Lg. (215-370A)		51	712-0267		Hex Nut 5/16-18 Thd.*	
	714-0114		Sq. Key 1/4 x 1/4 x 2.00" Lg. (215-375A)		52	710-0253		Hex Scr. 3/8-16 x 1.00" Lg.* (215-375A)	
3	738-0183		Sh. Scr. .50" Dia. x .215" Lg.		53	714-0126		#9 Hi-Pro Key 3/16 x 3/4" Dia. Hdn.	
4	736-0232		Wave Wash. .530 I.D. x .78 O.D. x .013		54	736-0169		L-Wash. 3/8" Scr.*	
5	04644-458		Pivot Idler Brkt.		55	712-0798		Hex Nut 3/8-16 Thd.*	
7	712-0181		Hex Top L-Nut 3/8-16 Thd.*		56	04498		Gear Case Ass'y. Comp. (215-370A)	
8	04634-458		Mtg. Plate Ass'y.			04499		Gear Case Ass'y. Comp. (215-375A)	
9	736-0253		Belleville Wash. .505 I.D. x 1.00" O.D.		57	710-0459		Hex Scr. 3/8-24 x 1.50" Lg. H.T. (215-370A)	
10	710-0121		Hex Scr. 1/2-20 x .75" Lg. Spec.			710-0483		Hex Scr. 7/16-20 x 2.25" Lg.	
11	738-0183		Sh. Scr. .50" Dia. x .215" Lg.		58	742-0150		Inner Tine Ass'y.—L.H. (215-370A)	N
12	04643		Idler Brkt. Link			742-0159		Inner Tine Ass'y.—L.H. (215-375A)	N
13	04641		Reverse Idler Brkt. Ass'y.		59	742-0151		Inner Tine Ass'y.—R.H. (215-370A)	N
15	712-0181		Hex Top L-Nut 3/8-16 Thd.*			742-0160		Inner Tine Ass'y.—R.H. (215-375A)	N
16	04639		Idler Brkt. Ass'y.		60	742-0152		Outer Tine Ass'y.—R.H. (215-370A)	N
17	736-0300		Fl.-Wash. .385" I.D. x .875 O.D.			742-0162		Outer Tine Ass'y.—R.H. (215-375A)	N
18	712-0116		Hex Ins. L-Nut 3/8-24 Thd.		61	742-0153		Outer Tine Ass'y.—L.H. (215-370A)	N
19	756-0225		Fl-Idler with Flange 3.12 O.D. x .75			742-0161		Outer Tine Ass'y.—L.H. (215-375A)	N
20	756-0224		Engine Pulley 3.75" Dia. (215-370A)		65	721-0121		Foam Seal 2.25 I.D. x 2.94 O.D.	
	756-0222		Engine Pulley (214-375A)		66	721-0120		Foam Seal 1.25 I.D. x 2.12 O.D. (215-370A)	
21	712-0116		Hex Ins. L-Nut 3/8-24 Thd.			721-0124		Foam Seal 1.62 I.D. x 2.12 O.D. (215-375A)	
22	736-0133		Fl-Wash. .406 I.D. x 1.250 O.D.		67	712-0116		Hex Ins. L-Nut 3/8-24 Thd. (215-370A)	
23	736-0169		L-Wash. 3/8" Scr.*			712-0236		Hex Ins. L-Nut 7/16-20 Thd. (215-375A)	
24	710-0539		Hex Scr. 3/8-24 x 1.75" Lg. H.T.		68	712-0798		Hex Nut 3/8-16 Thd.* (215-375A)	
25	04646		Idler Disc		69	736-0169		L-Wash. 3/8" Scr.* (215-375A)	
26	712-0116		Hex Ins. L-Nut 3/8-24 Thd.		70	04647		Support Arm	
27	710-0118		Hex Scr. 5/16-18 x .75" Lg.*		71	712-0123		Hex Nut 5/16-24 Thd.*	
28	736-0119		L-Wash. 5/16" Scr.*		72	736-0119		L-Wash. 5/16" Scr.*	
29	736-0231		Fl-Wash. .344 I.D. x 1.125 O.D.		73	04633-458		Tiller Frame	
30	756-0219		Gear Box Step Pulley 5.5" Dia. (215-370A)		74	710-0253		Hex Scr. 3/8-16 x 1.00" Lg.* (215-375A)	
	756-0220		Gear Box Step Pulley (215-375A)		75	711-0392		Ferrule	
31	754-0154		V-Belt 1/2 x 37" Lg. (215-370A) (Forward)		76	04599		Tine Shield	
	754-0190		V-Belt 1/2 x 39" Lg. (215-375A) (Forward)		77	710-0409		Hex Scr. 5/16-24 x 1.75"	
32	754-0189		V-Belt 1/2" x 44" Lg. (Reverse)		78	710-0151		Hex Scr. 3/8-24 x 2.00" Lg. (215-370A)	
33	756-0178		P-Fl.-Idler 2.75 O.D.			710-0483		Hex Scr. 7/16-20 x 2.25" Lg. (215-375A)	
34	712-0116		Hex Ins. L-Nut 3/8-24 Thd.		79	04611		Reinforcement Plate	N
35	736-0300		Fl.-Wash. .385 I.D. x .870" O.D.		80	736-0264		Fl-Wash. .344 I.D. x .625 O.D.	
36	736-0300		Fl.-Wash. .385 I.D. x .870" O.D.		81	710-0621		Hex Scr. 5/16-18 x .50" Lg.*	
37	714-0111		Cotter Pin 3/32 x 1.00" Lg.*		82	712-0158		Hex Cnt. L-Nut 5/16-18 Thd.*	
38	736-0119		L-Wash. 5/16" Scr.*						
39	712-0267		Hex Nut 5/16-18 Thd.*						
40	747-0140		Clutch Rod						
41	736-0300		Fl.-Wash. .385 I.D. x .870 O.D.						
42	714-0111		Cotter Pin 3/32 x 1.00" Lg.*						
43	714-0111		Cotter Pin 3/32 x 1.00" Lg.*						
44	732-0296		Ext. Spring						
45	710-0342		Hex Scr. 3/8-16 x 1.25" Lg.*						
46	710-0198		Hex Sems Scr. 5/16-18 x .75" Lg.						
48	04664		Belt Retainer (215-370A)	N					
	04649		Belt Retainer (215-375A)						
49	04648-458		Belt Guard						

or faster service obtain standard nuts and bolts locally. If these items cannot be obtained locally, order by part number and size as shown on the parts list.

NOTE: This instruction manual covers various models and all accessories shown do not necessarily apply to your model tiller. The engine is not under warranty by the tiller manufacturer.

If repairs or service is needed on the engine, please contact your nearest authorized engine service outlet. Check the "Yellow Pages" of your telephone book under "Engines-Parts".



PARTS INFORMATION

DEFECTIVE OR MISSING PARTS must be reported to the factory immediately. Such claims must include your model number and date of purchase.

BRIGGS & STRATTON, TECUMSEH AND PEERLESS PARTS AND SERVICE

POWER EQUIPMENT PARTS AND SERVICE

Parts and service for all MTD manufactured power equipment are available through the authorized service firms listed below. All orders should specify the model number of your unit, parts numbers, description of parts and the quantity of each part required.

Briggs & Stratton, Tecumseh and Peerless parts and service should be handled by your nearest authorized engine service firm. Check the yellow pages of your telephone directory under the listing *Engines — Gasoline*, Briggs & Stratton or Tecumseh Lauson — Power Products.

A 1 Engine & Mower Co.

327 East 9th Street
Salt Lake City, Utah 84102

Auto Electric & Carburetor Co.

2525 4th Avenue, S.
P. O. Box 1948
Birmingham, Alabama 35233

Automotive Equipment Service Co.

3117 Holmes Street
Kansas City, Missouri 64109

Bailey's Rebuild Inc.

1325 E. Madison Street
Seattle Washington 98102

Bleckrie, Inc.

7900 Lorain Avenue
Cleveland, Ohio 44102

Brown Equipment Distributor Inc.

110 Beech Street
Corydon, Indiana 47112

Bullard Supply

2409 Commerce Street
Houston, Texas 77003

Catto & Putty, Inc.

P. O. Box 2408
510 Soledad Street
San Antonio, Texas 78205

Center Supply Company

6867 New Hampshire Avenue
Takoma Park, Maryland 20012

Dixie Sales Company

P. O. Box 1408
327 Battleground Avenue
Greensboro, North Carolina 27402

East Point Cycle & Key Shop

1617 Whiteway
East Point, Georgia 30044

Gamble Distributors

West End Avenue
Carthage, New York 13619

Garden Equipment Co., Inc.

6600 Cherry Avenue
Long Beach, California 90805

Gardenville Supply, Inc.

Pipersville, Pennsylvania 18947

Henry W. O'Neil & Assoc., Inc.

410 North Goodman Street
Rochester, New York 14609

Henzler, Inc.

2015 Lemay Ferry Road
St. Louis, Missouri 63125

Kenton Supply

8216 North Denver Avenue
Portland, Oregon 97217

Kimber's Inc.

115 W. Geddes St.
Syracuse, New York 13204

Marr Brothers

423 E. Jefferson
Dallas, Texas 75203

McClure Lawn & Garden Supply

1114 Lexington Avenue
Mansfield, Ohio 44907

Memphis Cycle & Supply Co.

421 Monroe Avenue
Memphis Tennessee 38103

Morton B. Collins Co.

300 Birnie Avenue
Springfield, Massachusetts 01107

Moz-All of Florida, Inc.

365 Greco Avenue
Coral Gables, Florida 33146

National Central

687 Seville Rd.
Wadsworth, Ohio 44281

Parts & Sales Inc.

2101 Industrial Pkwy.
Elkhart, Indiana 46514

Power Equipment Distributor

36463 So. Gratiot Avenue
Mt. Clemens, Michigan 48043

Power Lawn & Garden Equip. Co.

2551-2571 J. F. Kennedy Road
Dubuque, Iowa 52001

Radco Distributors

2403 Market Street
P. O. Box 3216
Jacksonville, Florida 32206

Raub Supply Company

James & Mulberry Sts.
Lancaster, Pennsylvania 17604

Richmond Battery & Ignition

P. O. Box 25369 — 957 Myers St.
Richmond, Virginia 23260

R. P. W., Inc.

623 S. 16th Street
Omaha, Nebraska 68102

Smith Hardware Company

515 N. George Street
Goldsboro, North Carolina 27530

South Denver Lawn Equip. Co.

527 West Evans
Denver, Colorado 80223

Suhren Engine

8330 Earhart Blvd.
New Orleans, Louisiana 70118

Sutton's Lawn Mower Shop

Route 4, Box 343
North Little Rock, Arkansas 72117

Warner Equipment

7520 Lyndale Avenue, So.
Minneapolis, Minnesota 55423

Woodson Sales & Service

1702 North Sylvania
Ft. Worth, Texas 76111

WARRANTY PARTS AND SERVICE POLICY

The purpose of warranty is to protect the customer from defects in workmanship and materials, defects which are NOT detected at the time of manufacture. It does not provide for the unlimited and unrestricted replacement of parts. Use and maintenance are the responsibility of the customer. The manufacturer cannot assume responsibility for conditions over which it has no control. Simply put, if it's the manufacturer's fault, it's the manufacturer's responsibility; if it's the customer's fault, it's the customer's responsibility.

CLAIMS AGAINST THE MANUFACTURER'S WARRANTY INCLUDES

1. Replacement of Missing Parts on new equipment.
2. Replacement of Defective Parts within the warranty period.
3. Repair of Defects within the warranty period.

All claims MUST be substantiated with the following information:

1. Model Number of unit involved.
2. Date unit was purchased or first put into service.
3. Date of failure.
4. Nature of failure.

Free Manuals Download Website

<http://myh66.com>

<http://usermanuals.us>

<http://www.somanuals.com>

<http://www.4manuals.cc>

<http://www.manual-lib.com>

<http://www.404manual.com>

<http://www.luxmanual.com>

<http://aubethermostatmanual.com>

Golf course search by state

<http://golfingnear.com>

Email search by domain

<http://emailbydomain.com>

Auto manuals search

<http://auto.somanuals.com>

TV manuals search

<http://tv.somanuals.com>