



Illustrated Parts Book



Model 410 Shown

REAR TINE TILLERS

Model Number	Pages
21A-410-000	2 - 5
21A-420-000	4 - 7
21A-430-000	8 - 12
21A-448-401	12 - 16

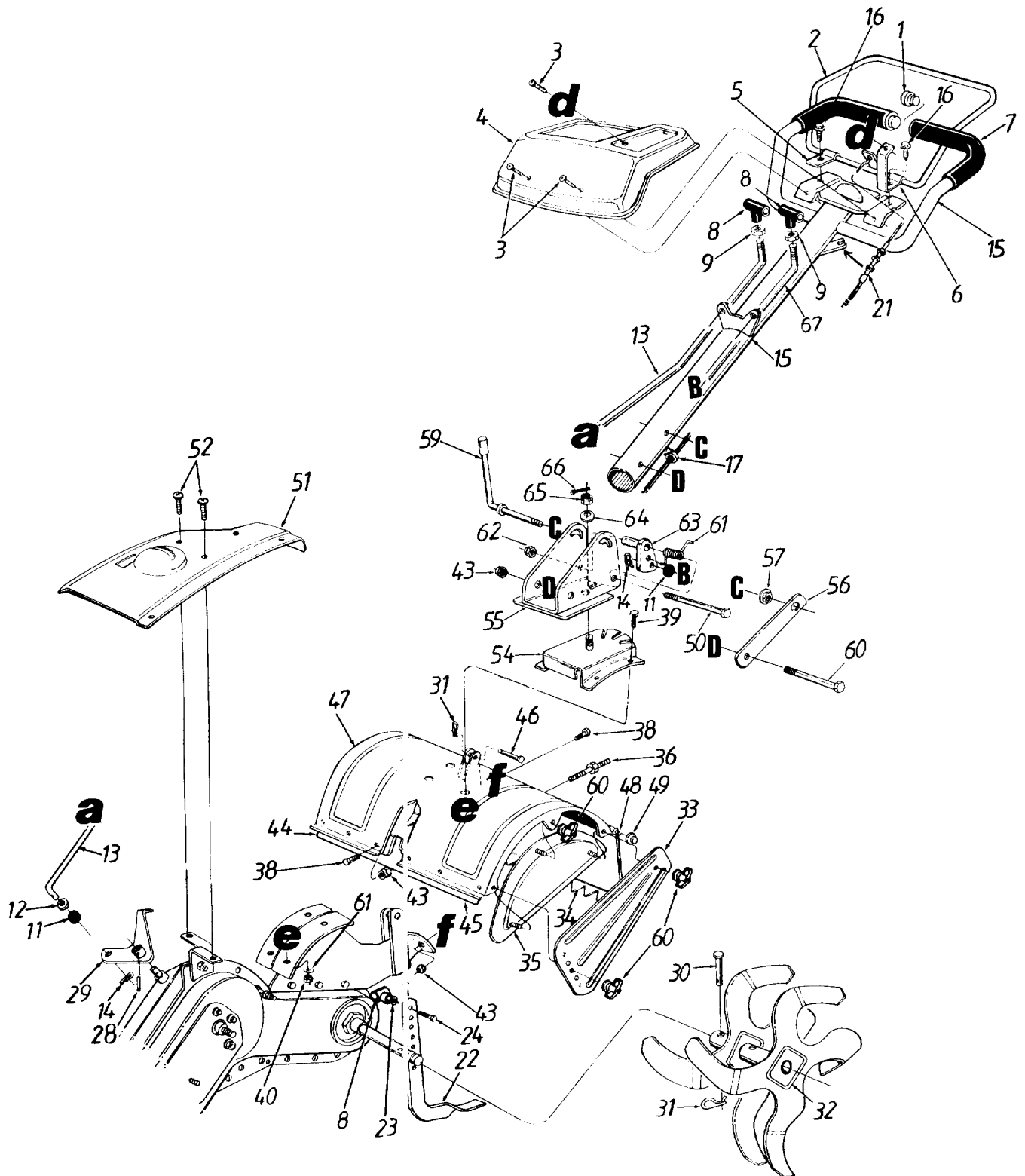
1997

MTD PRODUCTS INC • P.O. BOX 368022 • CLEVELAND, OHIO 44136-9722

PRINTED IN U.S.A.

FORM NO. 770-97-6B

Model 410

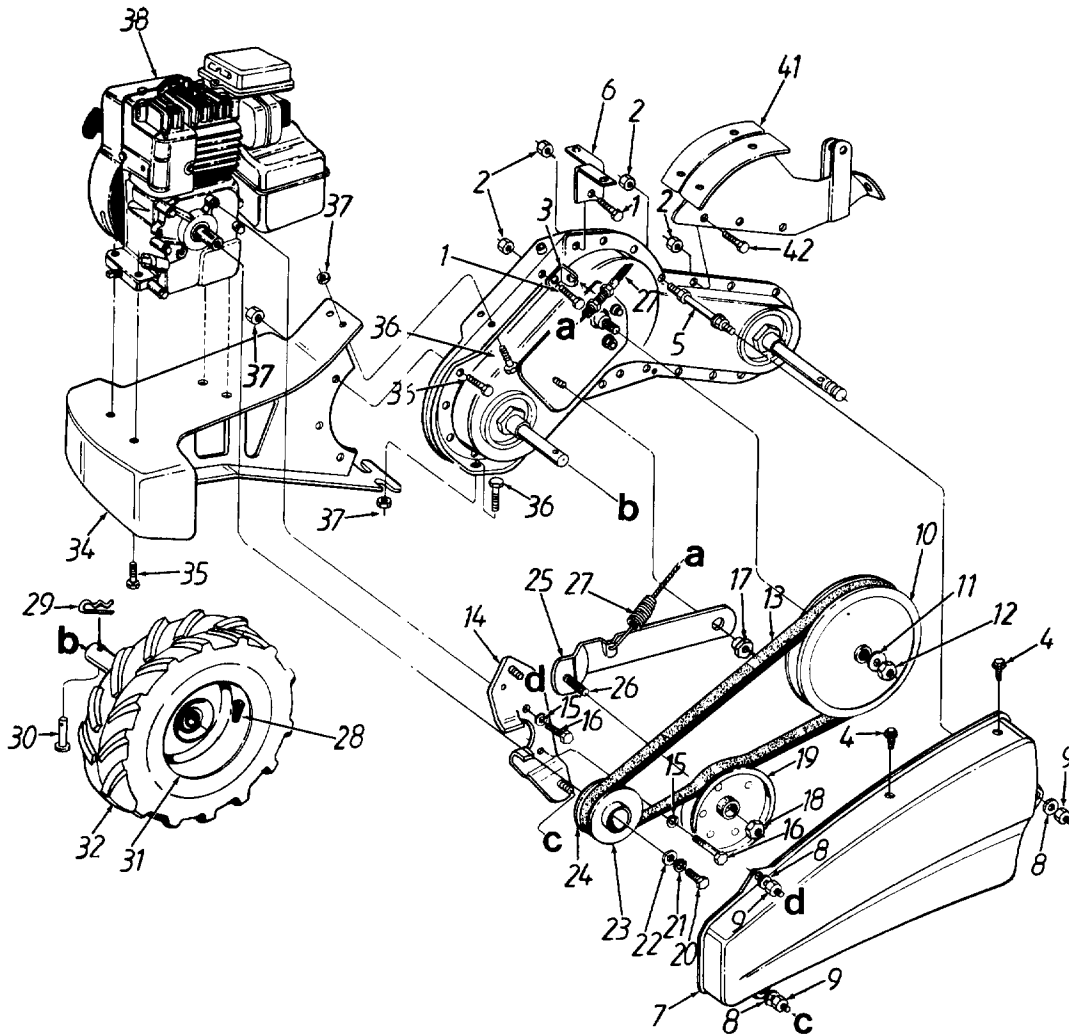


Model 410

PARTS LIST FOR MODEL 410 REAR TINE TILLER

QTY.	PART NO.	CODE	DESCRIPTION	REF. NO.	PART NO.	CODE	DESCRIPTION
1	735-0246		Vinyl End Plug	33	786-0090		Side Shield
2	647-0014		Clutch Control Ass'y.	34	786-0113		Rear Tine Shield
3	710-1017		Torx Mach. AB-Tap Scr. 1/4 x .62" Lg.	35	686-0044A	N	End Cover Ass'y.
4	786-0131		Handle Cover	36	710-0849		Hex Cap Bolt 5/16-18 x 1.25" Lg.
5	786-0098		Retaining Brkt.—R.H.	38	710-3002		Hex Bolt 5/16-18 x .75" Lg.
3	786-0118		Retaining Brkt.—L.H.	39	710-3097		Carriage Bolt 3/8-16 x 1" Lg.
7	720-0278		Grip (2 Req'd.)	40	712-0798		Hex Ins. L-Nut 3/8-16 Thd.
3	720-0210A		Knob	43	712-3004A		Hex Flange Top L-Nut 5/16-18 Thd.
3	712-3008		Hex Jam Nut 3/8-16 Thd.	44	786-0076		Tine Shield Brkt.—R.H.
1	735-0127		Rubber Washer	45	786-0077		Tine Shield Brkt.—L.H.
2	736-0204		Fl-Wash. .344" I.D. x .6" O.D.	46	711-0415		Clevis Pin .375" Dia.
3	747-0902		Gear Shift Rod	47	786-0085		Tine Shield
4	714-0104		Hairpin Clip	48	747-0432		Tiller Flap Rod
5	649-0023		Handle Ass'y.	49	726-0106		Cap Speed Nut
3	710-0896		Tap Scr. 1/4-14 x 5/8" Lg.	50	710-0189		Hex Bolt 5/16-18 x 3" Lg.
7	726-0330		Cable Clip	51	786-0101A	N	Shift Cover
1	746-0916		Clutch Cable	52	710-1017		Torx Mach. AB-Tap Scr. 1/4 x .6"
2	786-0120		Depth Bar	54	786-0109		Handle Brkt.—L.H.
3	736-0117		Fl-Wash. 3/8" I.D. x 5/8" O.D.	55	786-0108		Handle Brkt.—R.H.
4	710-0253		Hex Bolt 3/8-16 x 1" Lg.*	56	784-0191		Hex Nut Retainer Brkt.
3	715-0120		Spiral Pin 3/16" x 1"	57	712-0379		Hex Flange Nut 3/8-24 Thd.
3	686-0095		Shift Crank Ass'y.	58	750-0885		Spacer .322 Dia.
3	711-0415		Clevis Pin	59	784-0190		Handle Adjustment Crank
1	714-0149B		Hairpin Clip	60	712-0421		Knob 5/16-18 Thd.
2	642-0015		Tine Ass'y.—L.H.	61	736-0169		L-Washer 3/8" I.D.
	642-0016		Tine Ass'y.—R.H. (Not Shown)				

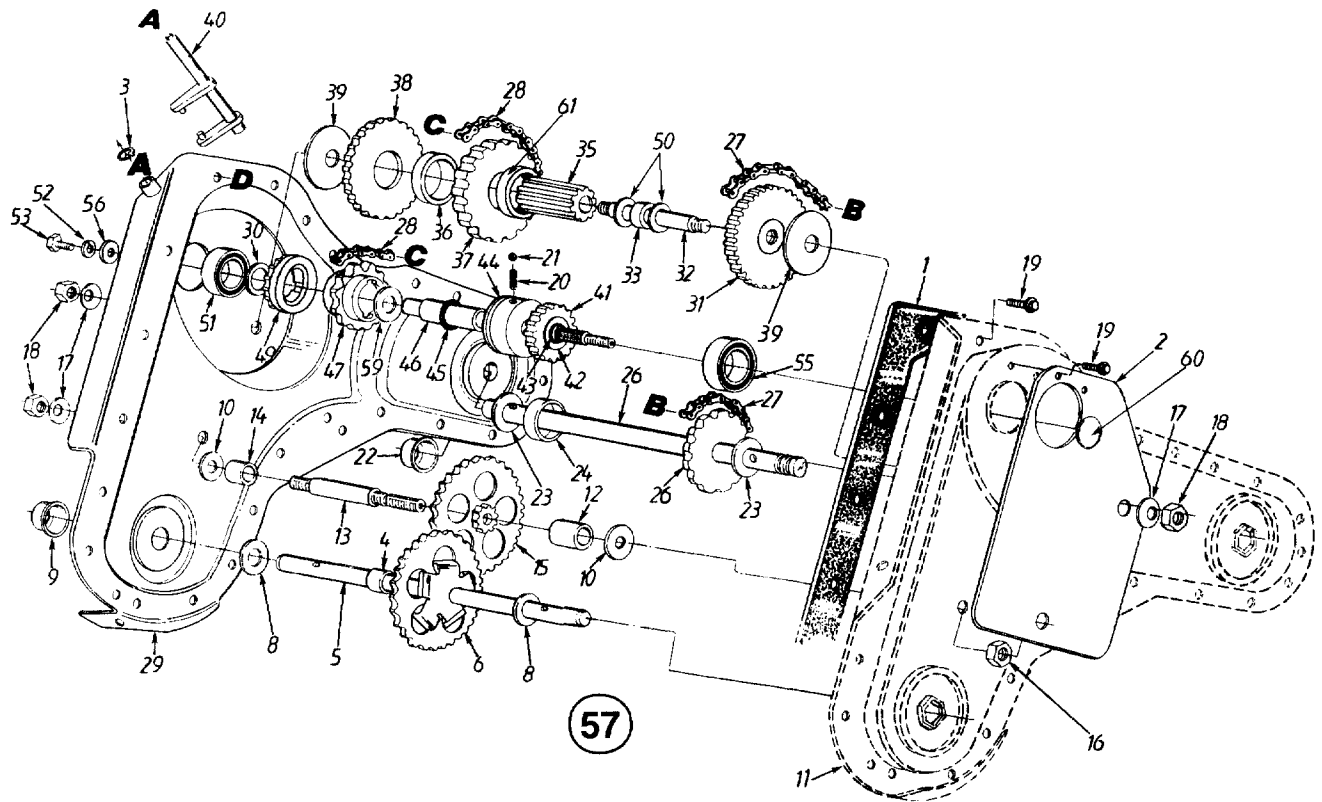
Models 410 and 420



PARTS LIST FOR MODELS 410 AND 420 REAR TINE TILLERS

REF. NO.	PART NO.	CODE	DESCRIPTION	REF. NO.	PART NO.	CODE	DESCRIPTION
1	710-0118		Hex Bolt 5/16-18 x .75" Lg.	23	756-0972		Outer Engine Pulley Half
2	712-3004A		Hex Top L-Nut 5/16-8 Thd.	24	756-0971		Inner Engine Pulley Half
3	786-0107		Cable Mtg. Bracket	25	786-0080		Idler Bracket
4	710-1017		Torx Mach. AB-Tap & cr. 1/4 x .6" Lg.	26	710-0723		Hex Bolt 3/8-16 x 1.25" Lg.
5	738-0899		Belt Cover Bolt	27	746-0916		Clutch Cable
6	786-0117		Shift Cover Bracket	28	734-0255		Air Valve
7	786-0100		Belt Cover	29	714-0104		Hairpin Clip
8	736-0142		Fl-Wash. .281" I.D. x .5" O.D.	30	711-1017		Clevis Pin
9	712-0392		Hex Cap Nut 1/4-28 Thd.	31	634-0112		Rim Only (410)
10	756-0634		Flat Pulley 8" O.D.	32	634-0108		Rim Only (420)
11	736-0105		Bell-Wash. .38" I.D. x .88" O.D.	33	634-0110		Wheel Ass'y. Comp.—R.H. (410)
12	712-0130		Hex Ins. L-Nut 3/8-16 Thd.	34	634-0111		Wheel Ass'y. Comp.—L.H. (410)
13	754-0438		"V"-Belt	35	634-0106		Wheel Ass'y. Comp.—R.H. (420)
14	686-0031		Belt Keeper Brkt.	36	634-0107		Wheel Ass'y. Comp.—L.H. (420)
15	736-0119		L-Wash. 5/16" I.D.	37	734-1796		Tire Only (410)
16	710-0237		Hex Bolt 5/16-24 x .62" Lg.	38	734-0808		Tire Only (420)
17	738-0876		Shld. Nut	39	619-0009		Frame Counterweight
18	712-0266		Hex Jam L-Nut 3/8-16 Thd.	40	710-1007		Hex TT-Tap Scr. 3/8-16 Thd.
19	756-0405		Fl-Idler w/Flanges	41	710-3002		Hex Bolt 5/16-18 x 1" Lg. (Gr. 5)
20	710-0152		Hex Bolt 3/8-24 x 1" Lg.	42	712-3004A		Hex Flange L-Nut 5/16-18 Thd.
21	736-0217		L-Wash. 3/8" I.D.	43	—		Engine
22	736-0258		Fl-Wash. 3/8" I.D. x 1" O.D.	44	686-0043A		Tine Shield Brkt. Ass'y.
				45	710-3038		Hex Bolt 5/16-18 x 7/8" Lg.

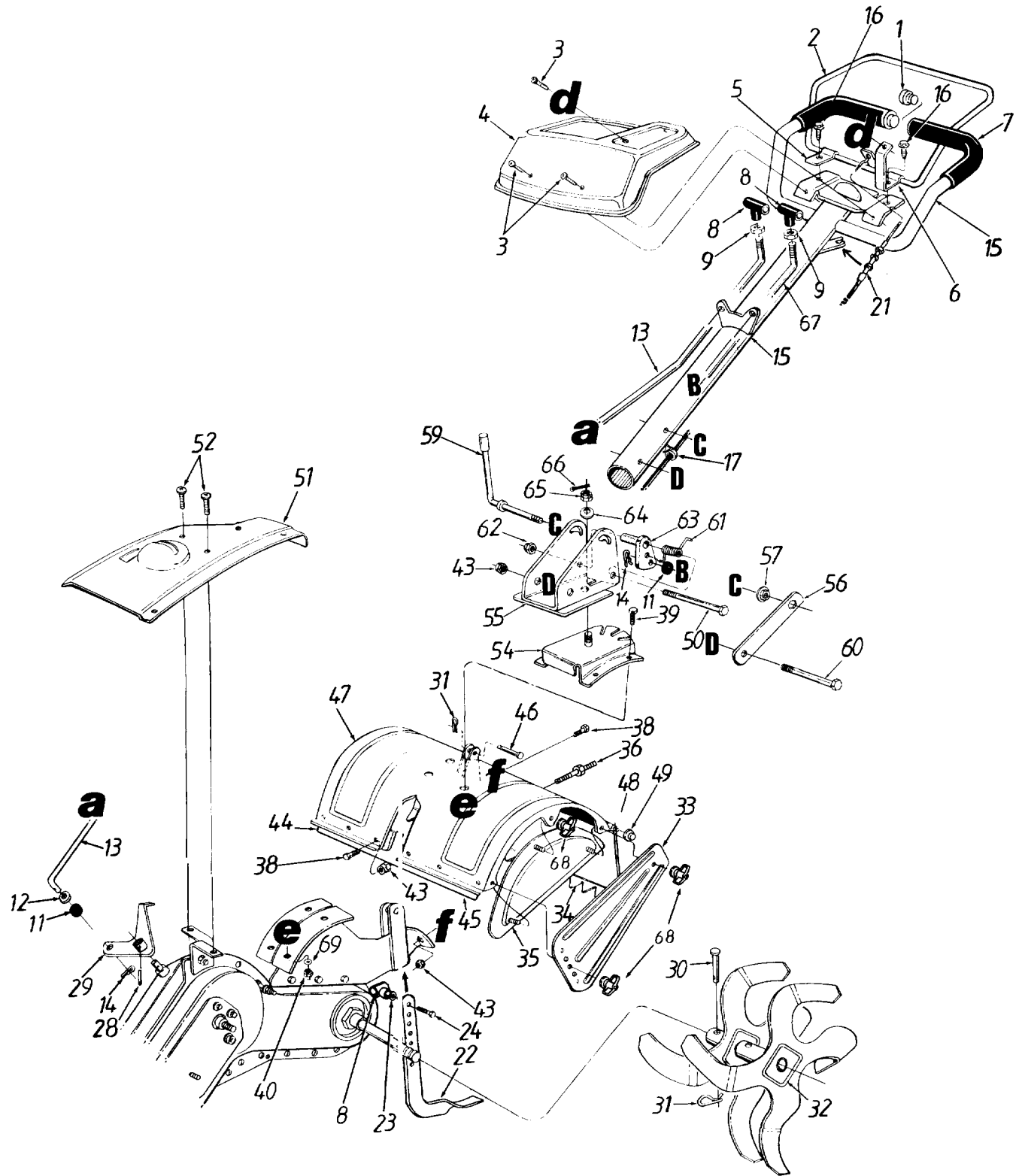
Models 410 and 420



PARTS LIST FOR MODELS 410 AND 420 REAR TINE TILLERS

F. O.	PART NO.	CODE	DESCRIPTION	REF. NO.	PART NO.	CODE	DESCRIPTION
1	721-0295		Chain Case Gasket	30	736-0541		Fl-Wash. 7/16" I.D. x 1-3/8" O.D.
2	786-0086		Reinforcement Plate	31	617-0002		Gear and Sprocket Ass'y.
3	716-0865		Snap Ring	32	738-0884		Jack Shaft 5" Lg.
4	750-0938		Spacer .735" I.D. x .886" O.D.	33	750-0931		Spacer .636" I.D. x .86" O.D.
5	611-0058	N	Wheel Shaft	35	717-1411		Spur Gear 10T
6	717-1458	N	Spur Gear 46T	36	750-0930		Spacer 1.5" I.D. x 1.76" O.D.
8	736-0351		Fl-Wash. .76" I.D. x 1.5" O.D.	37	713-0436		Sprocket—#41 Chain
9	721-0379	N	Shaft Seal	38	717-1405		Reverse Gear 46T
0	736-0406		Fl-Wash. 7/16" I.D. x 1-3/8" O.D.	39	736-0518		Thrust Wash. .445" I.D. x 1.92"
1	686-0039		Gear Case Ass'y. Half—L.H.	40	618-0245	N	Shifter Ass'y.
2	750-0935		Spacer .635" I.D. x 1" O.D. x .78	41	717-1409		Spur Gear 17T
3	738-0885		Jack Shaft 2.06" Lg.	42	736-0442		Fl-Wash. .69" I.D. x 1.06" O.D.
4	750-0936		Spacer .635" I.D. x 1" O.D. x .37" Thk.	43	732-0614		Wire Ring
5	617-0004		Gear Idler Ass'y.	44	718-0234		Clutch Collar
6	712-3067		Hex Patch L-Nut 7/16-20 Thd.	45	716-0235		Retaining Ring .875" Shaft
7	736-0407		Bell-Wash. .45" I.D. x 1" O.D.	46	711-1087	N	Drive Shaft
8	712-0378		Hex Nut 7/16-20 Thd.	47	713-0435		Sprocket 11T
9	710-0896		Hex Wash. Hd. TT-Tap Scr. 1/4-20 x .5" Lg.	49	717-1451		Spur Gear 16T
0	732-0863		Spring Detent	50	736-0336		Fl-Wash. 5/8" I.D. x 1" O.D.
1	741-0862		Ball Detent	51	741-0124		Ball Bearing .669" I.D.
2	721-0378	N	Shaft Seal	52	736-0329		L-Wash. 1/4" I.D.
3	736-0163		Thrust Wash. 1.03" I.D. x 1.62"	53	710-0258		Hex Bolt 1/4-20 x .62" Lg.
4	750-0570		Spacer 1" I.D. x 2" O.D. x .5" Thk.	55	741-0563		Ball Bearing
6	611-0021		Tine Shaft Ass'y.	56	736-0512		Fl-Wash. .281" I.D. x .875" O.D.
7	713-0226		Chain #50 5/8" Pitch x 52 Links—Endless	57	686-0094	N	Gear Case Ass'y. Comp.
8	713-0223		Chain—#41 1/2" Pitch x 30 Links—Endless	58	718-0237		Key—Drive Shaft (Not Shown)
9	686-0038		Gear Case Ass'y. Half—R.H.	59	736-0265		Fl-Wash. .88" I.D. x 1.5" O.D.
				60	726-0331		Button Plug
				61	750-0987		Spacer 1.52" I.D.
				—	737-0148		Grease (40 oz. Req'd.)

Model 420

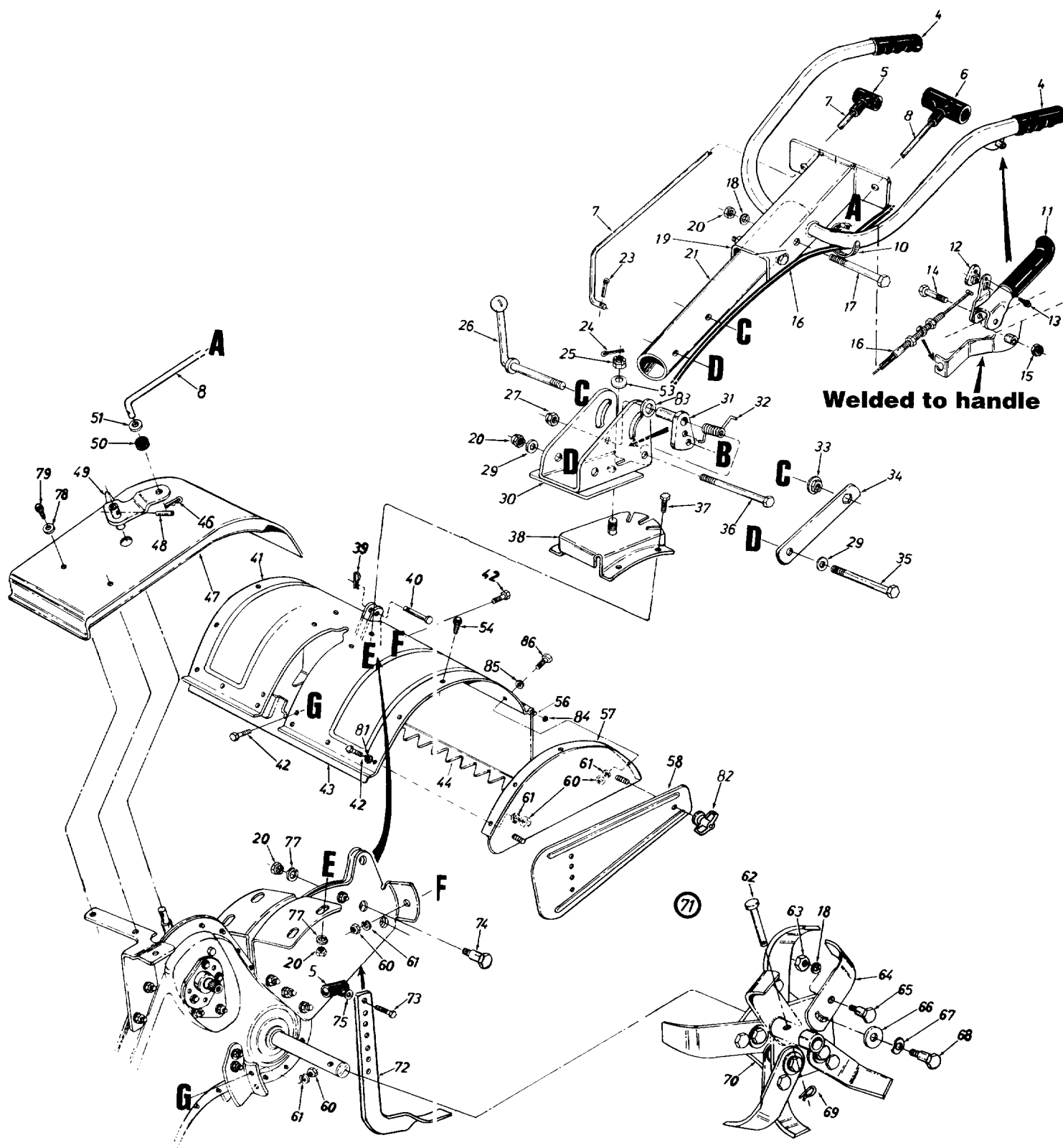


Model 420

PARTS LIST FOR MODEL 420 REAR TINE TILLER

QTY.	PART NO.	CODE	DESCRIPTION	REF. NO.	PART NO.	CODE	DESCRIPTION
1	735-0246		Vinyl End Plug	36	738-0849		Hex Screw 5/16-18 x .75" Lg.
2	647-0014		Clutch Control Ass'y.	38	710-0118		Hex Bolt 5/16-18 x .75" Lg.
3	710-1017		Torx Mach. AB-Tap Scr. 1/4 x .62" Lg.	39	710-3097		Carriage Bolt 3/8-16 x 1" Lg.
4	786-0131		Handle Cover	40	712-0798		Hex Nut 3/8-16 Thd.
5	786-0098		Retaining Brkt.—R.H.	43	712-3004A		Hex Flange Top L-Nut 5/16-18 Thd.
3	786-0118		Retaining Brkt.—L.H.	44	786-0076		Tine Shield Brkt.—R.H.
7	720-0278		Grip (2 Req'd.)	45	786-0077		Tine Shield Brkt.—L.H.
3	720-0210A		Knob	46	711-0415		Clevis Pin .375" Dia.
3	712-3008		Hex Jam Nut 3/8-16 Thd.	47	786-0085		Tine Shield
1	735-0127		Rubber Washer	48	747-0432		Tiller Flap Rod
2	736-0204		Fl-Wash. .344" I.D. x .6" O.D.	49	726-0106		Cap Speed Nut
3	747-0902		Gear Shift Rod	50	710-0521		Hex Bolt 3/8-16 x 3" Lg.
4	714-0104		Hairpin Clip	51	786-0101A	N	Shift Cover
5	649-0024		Handle Ass'y.	52	710-1017		Torx Mach. AB-Tap Scr. 1/4 x .6"
3	710-0896		Tap Scr. 1/4-14 x 5/8" Lg.	54	686-0071		Handle Positioner Brkt. Ass'y.
7	726-0330		Cable Clip	55	686-0048		Handle Pivot Brkt. Ass'y.
1	746-0916		Clutch Cable	56	784-0191		Hex Nut Retainer Brkt.
2	786-0120		Depth Bar	57	712-0379		Hex Flange Nut 3/8-24 Thd.
3	736-0117		Fl-Wash. 3/8" I.D. x 5/8" O.D.	59	784-0190		Handle Adjustment Crank
4	710-0253		Hex Bolt 3/8-16 x 1" Lg.*	60	710-0189		Hex Bolt 5/16-18 x 3" Lg.
8	715-0120		Spiral Pin 3/16" x 1"	61	732-0493		Torsion Spring
9	686-0095	N	Shift Crank Ass'y.	62	712-0375		Hex L-Nut 3/8-16 Thd.
0	711-0415		Clevis Pin	63	748-0375		Handle Swing Link
1	714-0149B		Hairpin Clip	64	736-0317		Bell-Wash. 5/8" I.D.
2	642-0015		Tine Ass'y.—L.H.	65	712-0386A		Hex Slotted Nut 5/8-18 Thd.
	642-0016		Tine Ass'y.—R.H. (Not Shown)	66	714-3021		Cotter Pin 1/8" x 1-5/8"
3	786-0090		Side Shield	67	747-0901		Handle Adjustment Rod
4	786-0113		Rear Tine Shield	68	712-0421		Knob 5/16-18 Thd.
5	686-0044A	N	End Cover Ass'y.	69	736-0169		L-Washer 3/8" I.D.

Model 430



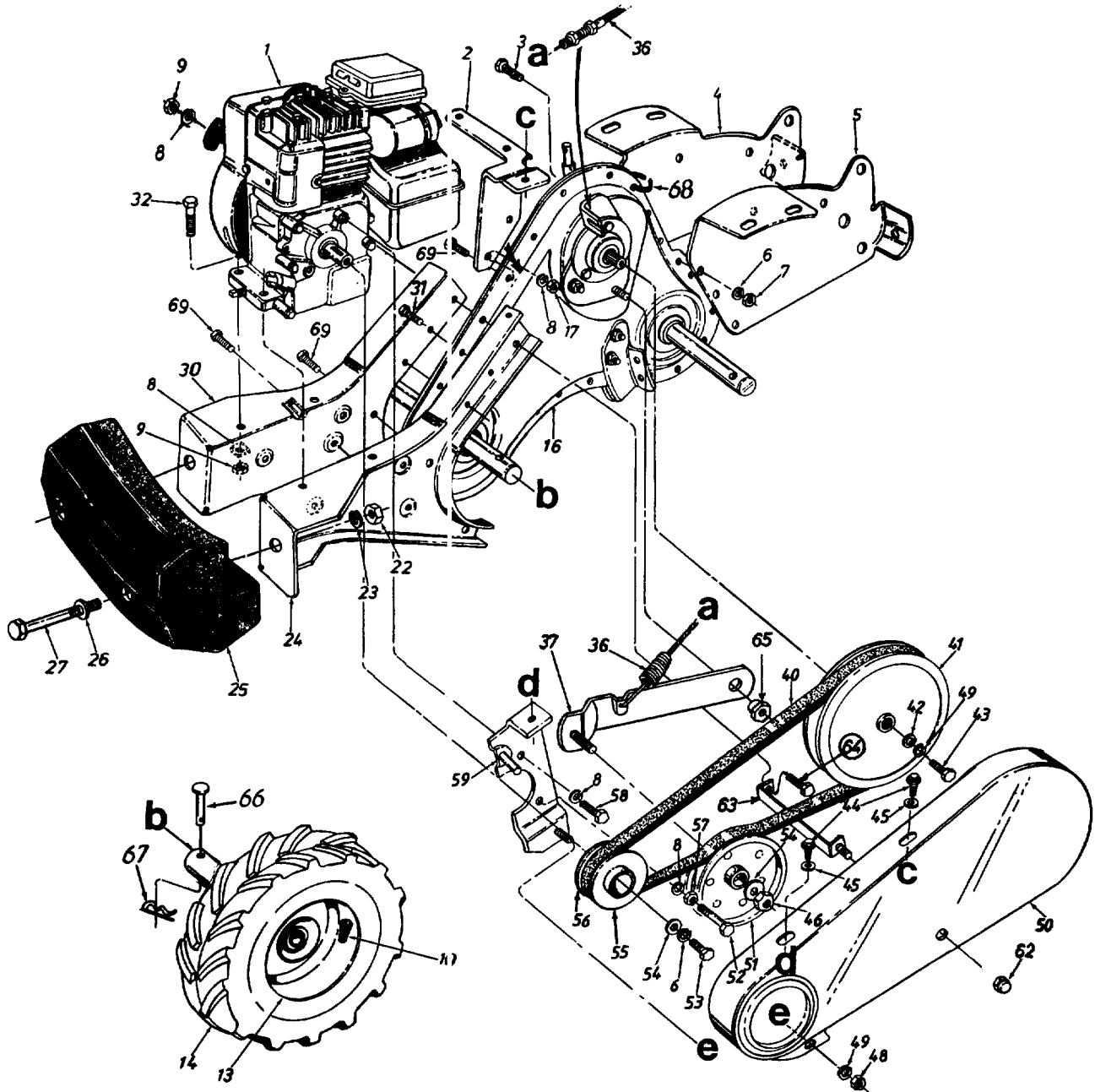
Model 430

PARTS LIST FOR MODEL 430 REAR TINE TILLER

EF. O.	PART NO.	CODE	DESCRIPTION	REF. NO.	PART NO.	CODE	DESCRIPTION
4	720-0180		Handle Grip	43	784-0210		Bracket Reinforcement—18"
5	720-0210A		Small "T" Knob	44	786-0113		Tine Shield Hinge Flap
6	720-0209		Large "T" Knob	46	714-0104		Intern. Cotter Pin 5/16" Dia.
7	747-0666		Clutch Rod	47	784-0208B	N	Shift Cover
8	747-0664		Control Rod 37" Lg.	48	715-0120		Spring Roll Pin 3/16" Dia.
10	725-0157		Cable Tie-Self Clinching	49	784-0173		Shifting Crank Ass'y.
11	784-0202B		Clutch Grip Ass'y.—L.H.	50	735-0127		Rubber Washer .33" I.D.
12	746-0605		Barrel Cable Hold Down	51	736-0133		Fl-Wash. .4" I.D. x 1.25" O.D.
13	710-0919		Hex B-Tap Scr. #10 x .44" Lg.	53	736-0317		Bell-Wash. .63" I.D. x 1.25"
				54	710-0607		Hex Wash. Tap Scr.
14	710-0331		Hex Bolt 3/8-24 x 2.25" Lg.*	56	747-0432		Tiller Flap Rod
15	712-0262		Hex Jam L-Nut 3/8-24 Thd.	57	784-0179A	N	End Cover Ass'y.
16	746-0908		Clutch Control Cable 46" Lg.	58	15390		Side Shield
17	710-0194		Hex Bolt 3/8-16 x 3.00" Lg.*	60	712-0267		Hex Nut 5/16-18 Thd.*
18	736-0217		L-Wash. 3/8" I.D.—H.D.	61	736-0119		L-Wash. 5/16" I.D.*
19	684-0109	N	Handle Ass'y.	62	711-0415		Clevis Pin .375" Dia.
20	712-0798		Hex Nut 3/8-16 Thd.*	63	712-0355		Hex Nut 3/8-24 Thd.*
21	784-0189		Handle Tubing Ass'y.	64	742-0305		13" Dia. Articulating Tine
24	714-3021		Cotter Pin 3/32" Dia. x 1.25" Lg.*	65	738-0689		Shld. Bolt 1/2" Dia. x .175
				66	736-0208		Fl-Wash. .51" I.D. x 1.50"
25	712-0386A		Hex Slotted Nut 5/8-18 Thd.	67	736-0253		Bell-Wash. .515" I.D. x 1.14"
26	784-0190		Handle Adj. Crank	68	738-0688		Shld. Bolt 1/2" Dia. x .320
27	712-0375		Hex Cent. L-Nut 3/8-16 Thd.	69	714-0149B		Intern. Cotter Pin
29	736-0105		Bell-Wash. .4" I.D. x .87" O.D.	70	784-0160		Tine Adapter Ass'y. 18"
30	784-0263A	N	Handle Pivot Bracket	71	784-0205		Tine Ass'y. Comp. 18"
31	784-0375		Handle Link	72	786-0120		Depth Bar Ass'y.
32	732-0493		Spring Handle Adj. (Torsion)	73	710-0253		Hex Bolt 3/8-16 x 1" Lg.*
33	712-0379		Hex Flange Nut 3/8-24 Thd.	74	738-0148		Shld. Bolt 1/2" I.D. x .62" Lg.
34	784-0191		Bracket Hex Nut Retainer	75	736-0117		Fl-Wash. 3/8" I.D. x 5/8" O.D.
35	710-0644		Hex Bolt 3/8-16 x 3.25" Lg.*	77	736-0169		L-Wash. 3/8" I.D.*
36	710-0521		Hex Bolt 3/8-16 x 3.00" Lg.— Gr. 8	78	736-0463		Fl-Wash. .281" I.D. x .62"
				79	710-0599		Hex Wash. Self-Tap Scr. 1/4-20 x .50" Lg.
37	710-3097		Hex Bolt 3/8-16 x 1" Lg.*				Plastic Knob 5/16-18 Thd.
38	686-0071	N	Handle Positioner Brkt. Ass'y.	82	712-0421		Fl-Wash. .406" I.D. x .875" O.D.
39	714-0149B		Intern. Cotter Pin	83	736-3004		End Cap
40	711-0415		Clevis Pin .375" Dia.	84	726-0106		Flat Washer .33 x .630 x .06
41	784-0156		Tine Shield 18"	85	736-0264		Shoulder Screw
42	710-0376		Hex Bolt 5/16-18 x .1" Lg.*	86	738-0849	N	

*For faster service obtain standard nuts, bolts and washers locally.
If these items cannot be obtained locally, order by part number
and size as shown on parts list.

Model 430



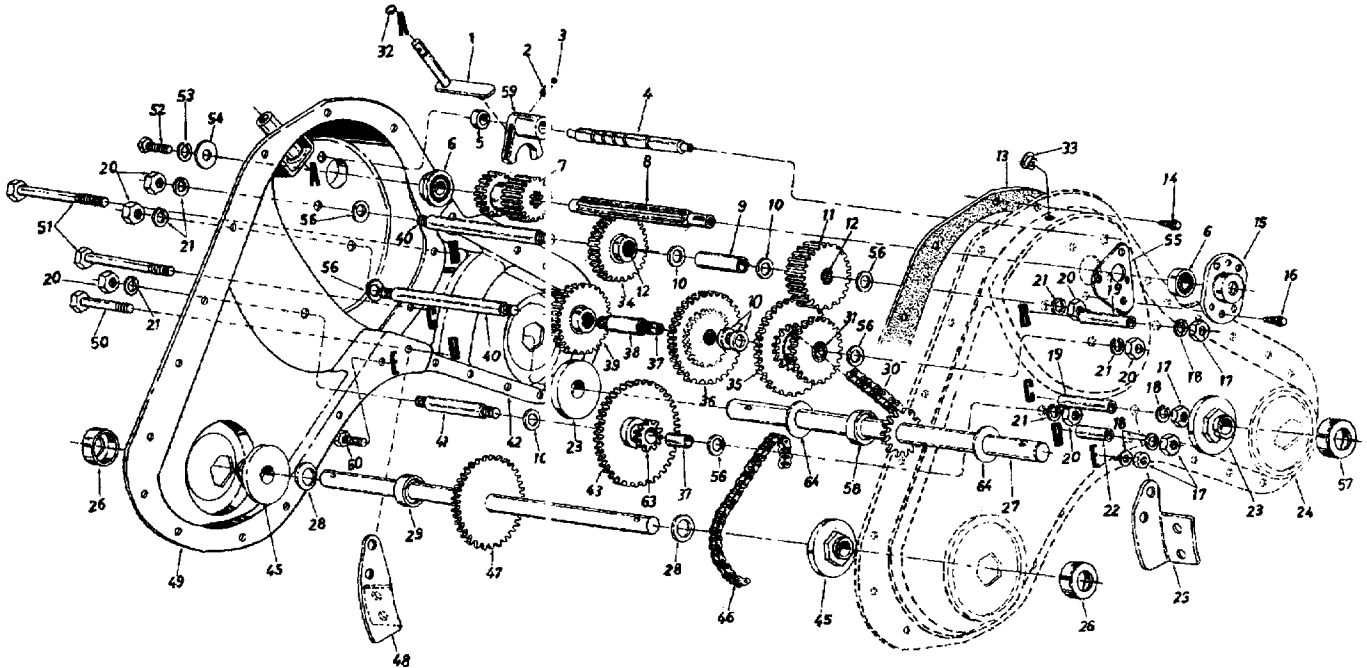
Model 430

PARTS LIST FOR MODEL 430 REAR TINE TILLER

EF. O.	PART NO.	CODE	DESCRIPTION	REF. NO.	PART NO.	CODE	DESCRIPTION
1	—		Engine	40	754-0434		"V"-Belt
2	784-0199A		Belt Cover Mounting Brkt.	41	756-0634		FI-Pulley 8" O.D.
3	710-0253		Hex Bolt 3/8-16 x 1.00" Lg.*	42	736-0176		FI-Wash. 1/4" I.D. x .93" O.D.
4	784-0178		Tine Shield Mtg. Brkt.—R.H.	43	710-0412		Hex Bolt 1/4-28 x .75" Lg.
5	784-0177		Tine Shield Mtg. Brkt.—L.H.	44	710-0599		Hex Wash. Hd. S-Tap Scr. 1/4-20 x .50" Lg.
6	736-0169		L-Wash. 3/8" I.D.*				FI-Wash. .281" I.D. x .625"
7	712-0798		Hex Nut 3/8-16 Thd.*	45	736-0463		Hex Cent. L-Nut 3/8-24 Thd.
8	736-0119		L-Wash. 5/16" I.D.*	46	712-0262		Hex Nut 1/4-20 Thd.*
9	712-0267		Hex Nut 5/16-18" Thd.*	48	712-0287		L-Wash. 1/4" I.D.*
0	734-0255		Air Valve	49	736-0329		Belt Cover
13	634-0112		Wheel Rim Ass'y. Only	50	784-0158		FI-Idler w/Flanges 3.75" O.D.
14	634-0111		L.H. Wheel Ass'y. Comp.	51	756-0405		Hex Bolt 5/16-24 x 1.75"*
	634-0110		R.H. Wheel Ass'y. Comp.	52	710-0409		Hex Bolt 3/8-24 x 1.00" Lg.*
	734-1796		Tire Only	53	710-0152		FI-Wash. 3/8" I.D. x 1.00"
16	686-0098	N	Gear Case Ass'y. Comp.	54	736-0258		Outer Engine Pulley Half
17	712-0267		Hex Nut 5/16-18 Thd.*	55	756-0972		Inner Engine Pulley Half
19	710-0376		Hex Screw 5/16-18 x 1" Lg.*	56	756-0971		Hex Nut 5/16-24 Thd.*
22	712-0206		Hex Nut 1/2-13 Thd.*	57	712-0123		Hex Bolt 5/16-24 x .62" Lg.*
23	736-0921		L-Wash. 1/2" I.D.*	58	710-0237		Belt Keeper Ass'y.
24	784-0155A	N	Engine Mounting Rail—L.H.	59	784-0197		Hex Cap Nut 1/4-28 Thd.
25	723-0381		#40 Counter Weight	62	712-0392		Belt Cover Brkt. Ass'y.
26	736-0326		FI-Wash. .510" I.D. x 1.0"	63	686-0027		Hex Bolt 5/16-18 x 1" Lg. (Gr. 5)
27	710-0382		Hex Bolt 1/2-13 x 5.00" Lg.*	64	710-0376		Shld. Nut
30	784-0154A	N	Engine Mounting Rail—R.H.	65	738-0876		Clevis Pin
31	710-0216		Hex Bolt 3/8-16 x .75" Lg.*	66	711-1017		Hairpin Clip
32	710-0442		Hex Bolt 5/16-18 x 1.50"*	67	714-0104		Cable Tie—Self Clinching
36	746-0908		Clutch Control Cable 46" Lg.	68	725-0157		Screw 5/16-18 x 1"
37	686-0026		Idler Bracket Ass'y.	69	710-0602		

*For faster service obtain standard nuts, bolts and washers locally.
If these items cannot be obtained locally, order by part number
and size as shown on parts list.

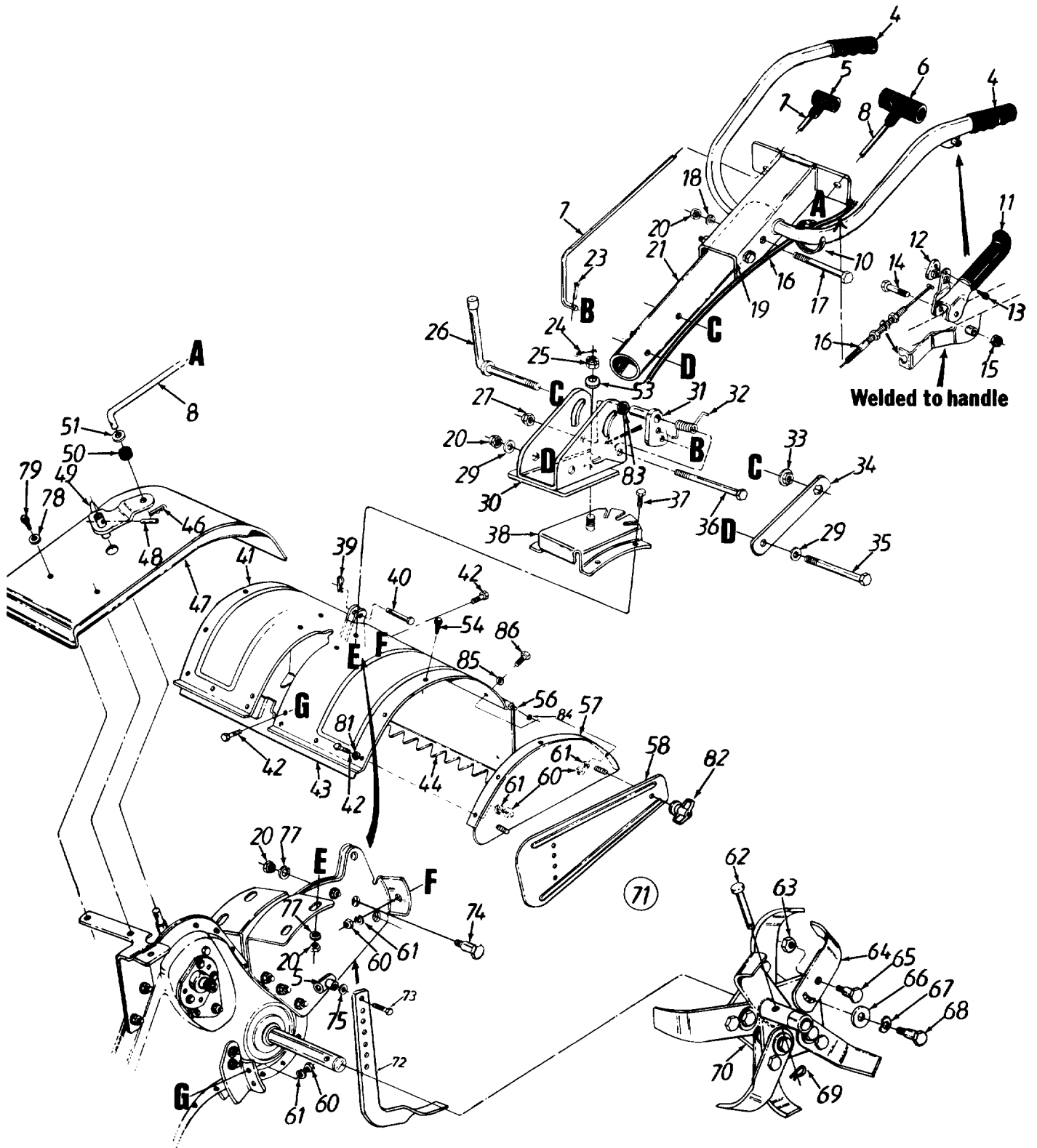
Models 430 and 448



PARTS LIST FOR MC DELS 430 AND 448 REAR TINE TILLERS

REF. NO.	PART NO.	CODE	DESCRIPTION	REF. NO.	PART NO.	CODE	DESCRIPTION
1	784-0171A		Shifting Bracket Ass'y.	34	717-0854		Spur Gear 30T 12/16" I.D.
2	732-0496		Compression Spring .50" Lg.	35	717-0874		30/44T Gear Ass'y. Comp.
3	741-0862		Ball Detent .250" Dia.	36	717-1470	N	Spur Gear 44T/11T
4	738-0645		Detent Shaft 1/2" Dia.	37	741-0181		Sleeve Bearing
5	750-0664		Spacer .505" I.D. x .88" O.D.	38	717-0835		Gear Hub 3/4" I.D. x 3" Lg.
6	741-0155		Ball Brg. .62" I.D. x 1.38"	39	717-0855		Spur Gear 30T 1.0" I.D. x 1/2" W
7	717-0851		Spur Gear 16T (Input)				Jack Shaft 5/8" Dia. x 5"
8	717-0852		Input Spline Shaft 7/8"	40	738-0647		Jack Shaft 5/8" Dia. x 2.38"
9	750-0651		Spacer .657" I.D. x 2.85" Lg.	41	738-0648	N	Trans. Housing Ass'y.—R.H.
10	736-0187		FI-Wash. .640" I.D. x 1.24"	42	786-0126		Spur Gear 44T
11	717-0857		Spur Gear 30T 7/8" I.C.	43	717-1471		Wheel Brg. .752" x 2.5"
12	741-0478		Needle Bearing 5/8" I.D.	45	741-0421		#420 Chain 1/2 Pitch x 50 Links—Endless
13	721-0211		Gasket—Trans. Hsg.	46	713-0367		Wheel Shaft Ass'y. 15.6"
14	710-0599		Hex S-Tap Scr. 1/4-20 x .5"	47	611-0020		Bracket Gear Case—R.H.
15	784-0211		1-3/8" Dia. Bearing Housing	48	784-0192		R.H. Housing Ass'y.
16	710-0642		Hex TT-Tap Scr. 1/4-20 x .75"	49	686-0074		Hex Bolt 5/16-18 x 2"
17	712-0267		Hex Nut 5/16-18 Thd.*	50	710-0116		Hex Bolt 5/16-18 x 2.5"
18	736-0119		L-Wash. 5/16" I.D.*	51	710-0378		Hex Bolt 1/4-20 x .62" Lg.
19	750-0662		Spacer 1.56" Lg.	52	710-0513		L-Wash. 3/8" I.D.*
20	712-0378		Hex Nut 7/16-20 Thd.	53	736-0329		FI-Wash. 1/4" I.D. x .93" O.D.
21	736-0407		Bell-Wash. .45" I.D. x .10"	54	736-0176		Gear Positioner Bracket
22	750-0661		Spacer 1.015" Lg.	55	786-0065		FI-Wash. 7/16" I.D. x 1-3/8"
23	741-0420	N	Tine Shaft Brg. 1.002 x 2.50	56	736-0406		Seal 1" Shaft
24	786-0127		Trans. Housing Ass'y.—L.H.	57	721-0378		Spacer 1" I.D. x 2" O.D.
25	784-0193		Bracket Gear Case—L.H.	58	750-0570		Shifting Fork
26	721-0379		Seal .75" Shaft	59	717-0853		Hex Bolt 5/16-18 x 1" Lg.*
27	611-0021		Tine Shaft Ass'y. 1" O.D.	60	710-0376		10T Sprocket Ass'y.
28	736-0351		FI-Wash. .76" I.D. x 1.5" O.D.	63	784-0162A		Thrust Wash. 1.03" I.D. x 1.62" O.D.
29	750-0671		Spacer .75" I.D. x .50" Lg.	64	736-0163		Grease Benelene 920
30	713-0226		Chain #50 5/8 Pitch x 52 Links—Endless			N	Gear Case Assembly Complete
31	741-0488		Needle Bearing 5/8" I.D.		737-0300		
32	716-0865		Snap Ring		686-0098		
33	726-0277		Taper Cap Plug				

Model 448



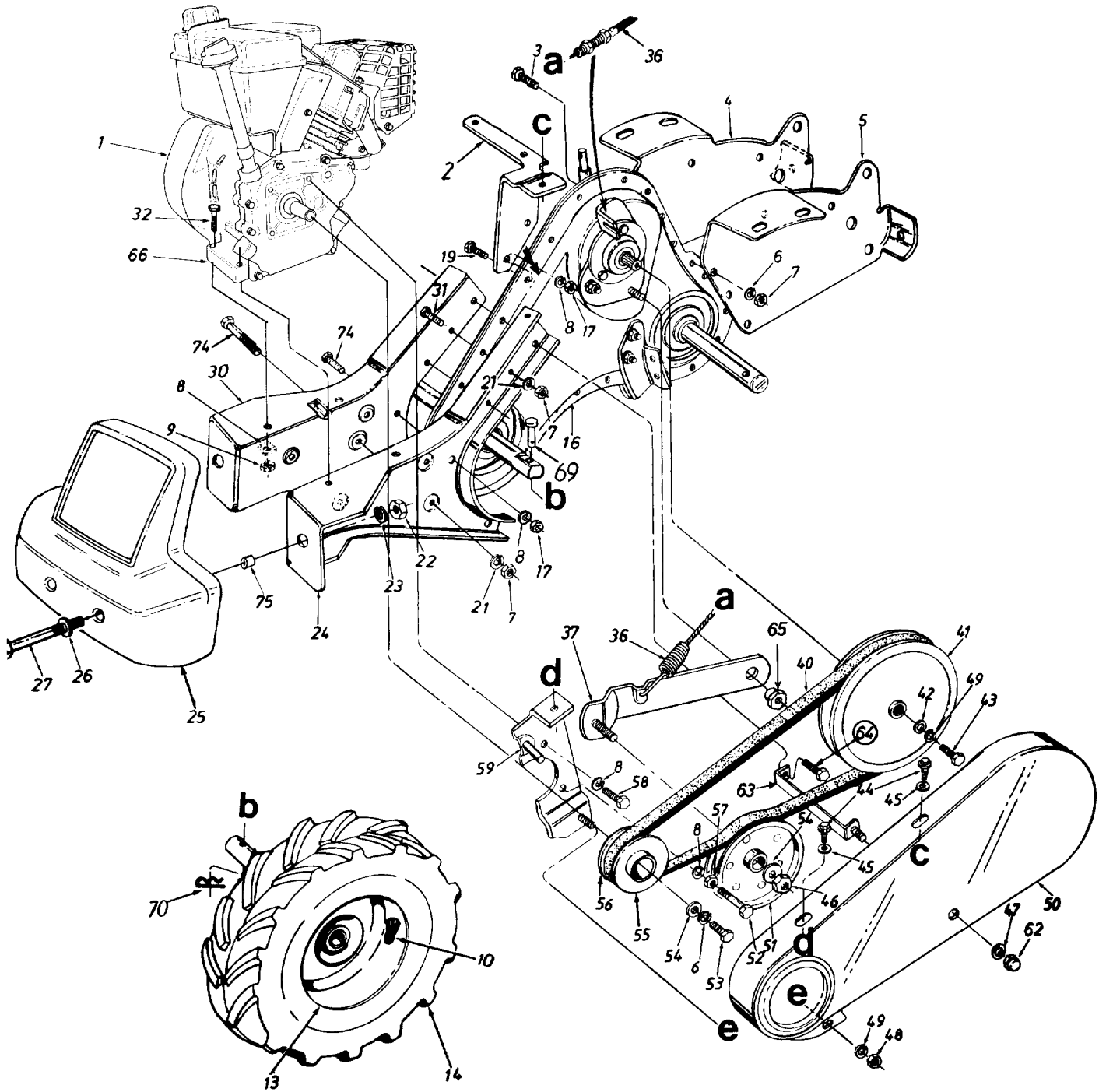
Model 448

PARTS LIST FOR MODEL 448 REAR TINE TILLER

REF. NO.	PART NO.	CODE	DESCRIPTION	REF. NO.	PART NO.	CODE	DESCRIPTION
4	720-0180		Handle Grip	43	784-0210		Bracket Reinforcement—18"
5	720-0210A		Small "T" Knob	44	786-0113	N	Tine Shield Hinge Flap
6	720-0209		Large "T" Knob	46	714-0104		Intern. Cotter Pin 5/16" Dia.
7	747-0666		Clutch Rod	47	784-0208B-665		Shift Cover
8	747-0664		Control Rod 37" Lg.	48	715-0120		Spring Roll Pin 3/16" Dia.
10	725-0157		Cable Tie-Self Clinching	49	784-0173		Shifting Crank Ass'y.
11	784-0202B		Clutch Grip Ass'y.—L.H.	50	735-0127		Rubber Washer .33" I.D.
12	746-0605		Barrel Cable Hold Down	51	736-0133		Fl-Wash. .4" I.D. x 1.25" O.D.
13	710-0919		Hex B-Tap Scr. #10 x .44" Lg.	53	736-0317		Bell-Wash. .63" I.D. x 1.25"
14	710-0331		Hex Bolt 3/8-24 x 2.25" Lg.*	54	710-0607		Hex Wash. Tap Scr.
15	712-0262		Hex Jam L-Nut 3/8-24 Thd.	56	747-0432		Tiller Flap Rod
16	746-0908		Clutch Control Cable .6" Lg.	57	784-0179A-665 N		End Cover Ass'y.
17	710-0194		Hex Bolt 3/8-16 x 3.00" Lg.*	58	15390-665		Side Shield
18	736-0217		L-Wash. 3/8" I.D.—H.I.D.	60	712-0267		Hex Nut 5/16-18 Thd.*
19	684-0109-665		Handle Ass'y.	61	736-0119		L-Wash. 5/16" I.D.*
20	712-0798		Hex Nut 3/8-16 Thd.*	62	711-0415		Clevis Pin .375" Dia.
21	784-0189		Handle Tubing Ass'y.	63	712-0355		Hex Nut 3/8-24 Thd.*
23	714-0507		Cotter Pin 3/32" Dia. x .75" Lg.*	64	742-0305		13" Dia. Articulating Tine
24	714-3021		Cotter Pin 3/32" Dia. x 1.25" Lg.*	65	738-0689		Shld. Bolt 1/2" Dia. x .175
25	712-0386A		Hex Slotted Nut 5/8-18 Thd.	66	736-0208		Fl-Wash. .51" I.D. x 1.50"
26	784-0190		Handle Adj. Crank	67	736-0253		Bell-Wash. .51" I.D. x 1.14"
27	712-0375		Hex Cent. L-Nut 3/8-18 Thd.	68	738-0688		Shld. Bolt 1/2" Dia. x .320
29	736-0105		Bell-Wash. .4" I.D. x .87" O.D.	69	714-0149B		Intern. Cotter Pin
30	784-0263A-665		Handle Pivot Bracket	70	784-0160		Tine Adapter Ass'y. 18"
31	748-0375		Handle Link	71	784-0205		Tine Ass'y. Comp. 18"
32	732-0493		Spring Handle Adj. (Torsion)	72	786-0120		Depth Bar
33	712-0379		Hex Flange Nut 3/8-24 Thd.	73	710-0253		Hex Bolt 3/8-16 x 1" Lg.*
34	784-0191		Bracket Hex Nut Retainer	74	710-3097		Shld. Bolt 1/2" I.D. x .62" Lg.
35	710-0644		Hex Bolt 3/8-16 x 3.25" Lg.*	75	736-0117		Fl-Wash. 3/8" I.D. x 5/8" O.D.
36	710-0521		Hex Bolt 3/8-16 x 3.00" Lg.—Gr. 8	77	736-0169		L-Wash. 3/8" I.D.*
37	710-0253		Hex Bolt 3/8-16 x 1" Lg.*	78	736-0463		Fl-Wash. .281" I.D. x .62"
38	686-0071-665		Handle Positioner Brki. Ass'y.	79	710-0599		Hex Wash. Self-Tap Scr. 1/4-20 x .50" Lg.
39	714-0149B		Intern. Cotter Pin	82	712-0421		Plastic Knob 5/16-18 Thd.
40	711-0415		Clevis Pin .375" Dia.	83	736-3004		Fl-Wash. .406" I.D. x .875" O.D.
41	784-0156-665		Tine Shield 18"	84	723-0106		End Cap
42	710-0376		Hex Bolt 5/16-18 x 1" Lg.*	85	736-0264		Flat Washer
				86	738-0849		Shoulder Screw

* For faster service obtain standard nuts, bolts and washers locally. If these items cannot be obtained locally, order by part number and size as shown on parts list.

Model 448



Model 448

PARTS LIST FOR MODEL 448 REAR TINE TILLER

REF. NO.	PART NO.	CODE	DESCRIPTION	REF. NO.	PART NO.	CODE	DESCRIPTION
1	—		Engine	42	736-0176		FI-Wash. 1/4" I.D. x .93" O.D.
2	786-0123		Shift Cover Mounting Brkt.	43	710-0412		Hex Bolt 1/4-28 x .75" Lg.
3	710-0253		Hex Bolt 3/8-16 x 1.00" Lg.*	44	710-0599		Hex Wash. Hd. S-Tap Scr. 1/4-20 x .50" Lg.
4	784-0178		Tine Shield Mtg. Brkt —R.H.	45	736-0463		FI-Wash. .281" I.D. x .625"
5	784-0177		Tine Shield Mtg. Brkt —L.H.	46	712-0262		Hex Cent. L-Nut 3/8-24 Thd.
6	736-0169		L-Wash. 3/8" I.D.*	47	736-3020		FI-Wash. .266" I.D. x .625" O.D.
7	712-0798		Hex Nut 3/8-16 Thd.*	48	712-0287		Hex Nut 1/4-20 Thd.*
8	736-0119		L-Wash. 5/16" I.D.*	49	736-0329		L-Wash. 1/4" I.D.*
9	712-0267		Hex Nut 5/16-18" Thd.*	50	784-0158-0665		Belt Cover
10	734-0255		Air Valve	51	756-0405		FI-Idler w/Flanges 3.75" O.D.
13	634-0108		Wheel Rim Ass'y. On y	52	710-0409		Hex Bolt 5/16-24 x 1.75**
14	634-0107		L.H. Wheel Ass'y. Comp.	53	710-0152		Hex Bolt 3/8-24 x 1.00" Lg.*
	634-0106		R.H. Wheel Ass'y. Comp.	54	736-0258		FI-Wash. 3/8" I.D. x 1.00"
	734-0808		Tire Only	55	756-0972		Outer Engine Pulley Half
16	686-0098		Gear Case Ass'y. Comp.	56	756-0971		Inner Engine Pulley Half
19	710-0376		Hex Bolt 5/16-18 x 1" Lg.*	57	712-0123		Hex Nut 5/16-24 Thd.*
22	712-3066		Hex Nut 1/2-20	58	710-0237		Hex Bolt 5/16-24 x .62" Lg.*
23	736-0921		L-Wash. 1/2" I.D.*	59	686-0065		Belt Keeper Ass'y.
24	784-0155A		Engine Mounting Rail —L.H.	62	712-0392		Hex Cap Nut 1/4-28 Thd.
25	731-1595		Counter Weight	63	686-0064		Belt Cover Brkt. Ass'y.
26	736-0179		FI-Wash. .510" I.D. x 1.0"	64	710-0376		Hex Bolt 5/16-18 x 1" Lg. (Gr. 5)
27	710-0506		Hex Bolt 1/2-20 x 5.5" Lg.*	65	738-0876		Shld. Nut
30	784-0154A		Engine Mounting Rail —R.H.	66	717-0522		Engine Spacer Block
32	710-0176		Hex Bolt 5/16-18 x 2.75**	69	711-1017		Clevis Pin
36	746-0908		Clutch Control Cable .46" Lg.	70	714-0104		Hairpin Clip
37	686-0026		Idler Bracket Ass'y.	74	710-0602		Screw 5/16-18 x 1"
40	754-0434		"V"-Belt	75	750-0194		Hub
41	756-0634		FI-Pulley 8" O.D.				

* For faster service obtain standard nuts, bolts and washers locally.
If these items cannot be obtained locally, order by part number and size as shown on parts list.

Free Manuals Download Website

<http://myh66.com>

<http://usermanuals.us>

<http://www.somanuals.com>

<http://www.4manuals.cc>

<http://www.manual-lib.com>

<http://www.404manual.com>

<http://www.luxmanual.com>

<http://aubethermostatmanual.com>

Golf course search by state

<http://golfingnear.com>

Email search by domain

<http://emailbydomain.com>

Auto manuals search

<http://auto.somanuals.com>

TV manuals search

<http://tv.somanuals.com>