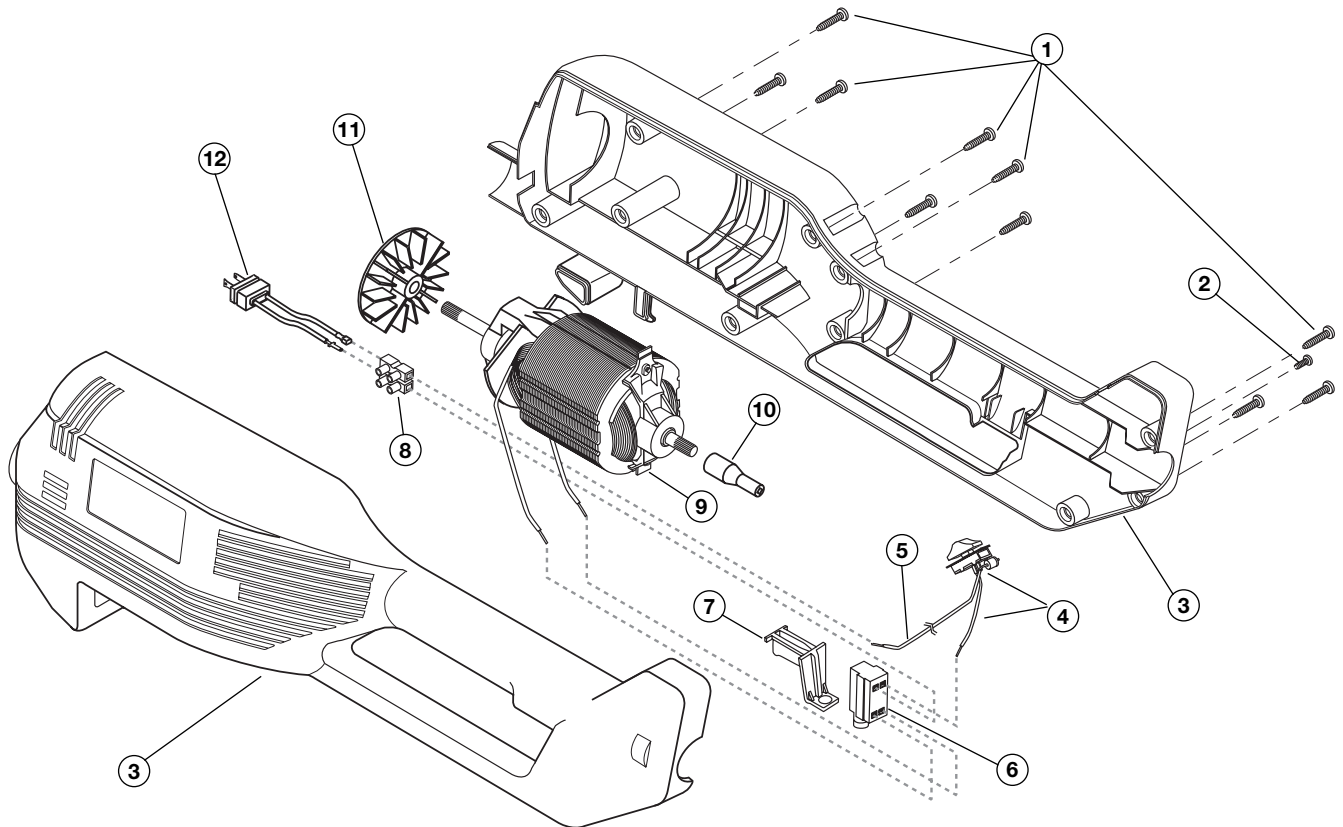


REPLACEMENT PARTS - MODEL 316.745400

ELECTRIC TRIMMER/ BLOWER

PPN 41ACETBC799

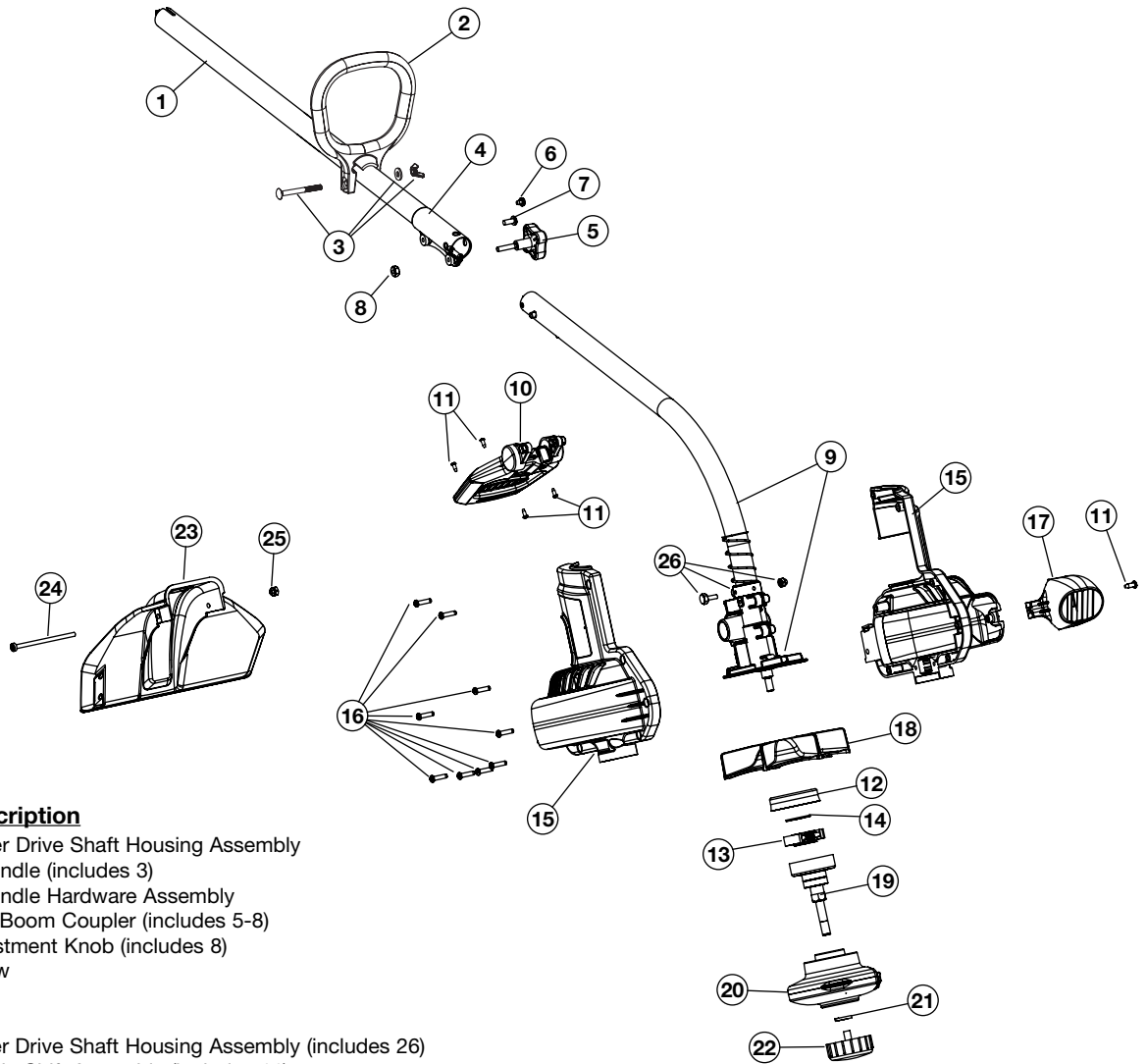


| Item | Part No. | Description |
|------|------------|-----------------------------------|
| 1 | 791-180300 | Screw, Housing Set (Qty. 11) |
| 2 | 791-145569 | Anti-Rotation Screw |
| 3 | 753-05341 | Motor Housing Assembly |
| 4 | 791-180302 | Two-Speed Switch Assembly |
| 5 | 791-180559 | Lead Wires |
| 6 | 791-180150 | Switch |
| 7 | 791-182318 | Trigger |
| 8 | 791-180305 | Terminal Block |
| 9 | 753-05342 | Motor Assembly (includes 10 & 11) |
| 10 | 791-180152 | Driver |
| 11 | 791-180155 | Cooling Fan |
| 12 | 791-181645 | Recessed Plug Assembly |

REPLACEMENT PARTS - MODEL 316.745400

ELECTRIC TRIMMER/ BLOWER

PPN 41ACETBC799



| Item | Part No. | Description |
|------|-------------|--------------------------------------------------|
| 1 | 753-04345 | Upper Drive Shaft Housing Assembly |
| 2 | 791-153064 | D-Handle (includes 3) |
| 3 | 791-181587 | D-Handle Hardware Assembly |
| 4 | 753-1190 | Split Boom Coupler (includes 5-8) |
| 5 | 791-181981 | Adjustment Knob (includes 8) |
| 6 | 791-182057 | Screw |
| 7 | 791-181617 | Bolt |
| 8 | 753-04386 | Nut |
| 9 | 753-05272 | Lower Drive Shaft Housing Assembly (includes 26) |
| 10 | 753-05258 | Handle Shift Assembly (includes 11) |
| 11 | 753-1202 | Screw |
| 12 | 753-05233 | Clutch Drum Container |
| 13 | 753-05257 | Clutch Assembly |
| 14 | 791-182396 | Washer |
| 15 | 753-05273 | Housing Assembly (includes 16) |
| 16 | 753-05274 | Screw |
| 17 | 753-05275 | Nozzle |
| 18 | 753-05276 | Impeller |
| 19 | 753-05277 | Clutch Drum Assembly w/Spool Shaft |
| 20 | 753-05165 | Fixed Line Head |
| 21 | 791-182413 | Lock Washer |
| 22 | 791-153066B | Bump Head Knob Assembly |
| 23 | 753-05282 | Guard Assembly w/Blade (includes 24 & 25) |
| 24 | 753-05283 | Screw |
| 25 | 791-180217 | Nut |
| 26 | 791-153597 | Clamp |

Free Manuals Download Website

<http://myh66.com>

<http://usermanuals.us>

<http://www.somanuals.com>

<http://www.4manuals.cc>

<http://www.manual-lib.com>

<http://www.404manual.com>

<http://www.luxmanual.com>

<http://aubethermostatmanual.com>

Golf course search by state

<http://golfingnear.com>

Email search by domain

<http://emailbydomain.com>

Auto manuals search

<http://auto.somanuals.com>

TV manuals search

<http://tv.somanuals.com>