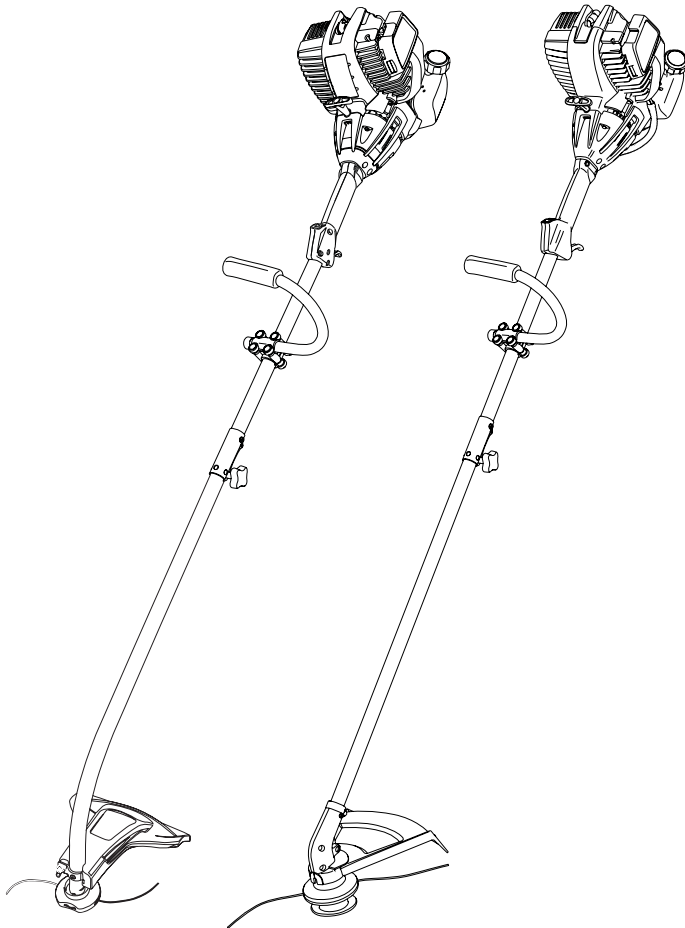


# Cub Cadet

## Operator's Manual

### 4-Cycle Gasoline Trimmers CC4125 / CC4175



### SAVE THESE INSTRUCTIONS

For service call **1-877-282-8684** in the United States, or **1-800-668-1238** in Canada to obtain a list of authorized service dealers near you. For more details about your unit, visit our website at [www.cubcadet.com](http://www.cubcadet.com).

**DO NOT RETURN THE UNIT TO THE RETAILER. PROOF OF PURCHASE WILL BE REQUIRED FOR WARRANTY SERVICE.**



THIS PRODUCT IS COVERED BY ONE OR MORE U.S. PATENTS. OTHER PATENTS PENDING.

Service on this unit both within and after the warranty period should be performed only by an authorized and approved service dealer.

#### SPARK ARRESTOR NOTE

**NOTE: For users on U.S. Forest Land and in the states of California, Maine, Oregon and Washington.** All U.S. Forest Land and the state of California (Public Resources Codes 4442 and 4443), Oregon and Washington require, by law that certain internal combustion engines operated on forest brush and/or grass-covered areas be equipped with a spark arrestor, maintained in effective working order, or the engine be constructed, equipped and maintained for the prevention of fire. Check with your state or local authorities for regulations pertaining to these requirements. Failure to follow these requirements could subject you to liability or a fine. **This unit is factory equipped with a spark arrestor.** If it requires replacement, ask your LOCAL SERVICE DEALER to install the **Accessory Part #753-05297 Spark Arrestor Kit.**

#### CALIFORNIA PROPOSITION 65 WARNING

|  |                |   |
|--|----------------|---|
|   | <b>WARNING</b> |  |
| <b>THE ENGINE EXHAUST FROM THIS PRODUCT CONTAINS CHEMICALS KNOWN TO THE STATE OF CALIFORNIA TO CAUSE CANCER, BIRTH DEFECTS OR OTHER REPRODUCTIVE HARM.</b> |                |   |

All information, illustrations, and specifications in this manual are based on the latest product information available at the time of printing. We reserve the right to make changes at any time without notice.

Copyright© 2006 MTD SOUTHWEST INC, All Rights Reserved.

#### TABLE OF CONTENTS

|   |    |
|---|----|
| Service Information .....                 | 1  |
| Rules for Safe Operation .....            | 2  |
| Know Your Unit .....                      | 3  |
| Assembly Instructions .....               | 4  |
| Oil and Fuel Information .....            | 5  |
| Starting/Stopping Instructions .....      | 6  |
| Operating Instructions .....              | 7  |
| Maintenance and Repair Instructions ..... | 8  |
| Cleaning and Storage .....                | 13 |
| Troubleshooting Chart .....               | 14 |
| Specifications .....                      | 15 |
| Warranty Information .....                | 16 |



**WARNING:** When using the unit, you must follow the safety rules. Please read these instructions before operating the unit in order to ensure the safety of the operator and any bystanders. Please keep these instructions for later use.

## RULES FOR SAFE OPERATION

### • IMPORTANT SAFETY INSTRUCTIONS •

#### READ ALL INSTRUCTIONS BEFORE OPERATING



**WARNING:** When using the unit, you must follow the safety rules. Please read these instructions before operating the unit in order to ensure the safety of the operator and any bystanders. Please keep these instructions for later use.

- Read the instructions carefully. Be familiar with the controls and proper use of the unit.
- Do not operate this unit when tired, ill, or under the influence of alcohol, drugs, or medication.
- Children and teens under the age of 15 must not use the unit, except for teens guided by an adult.
- All guards and safety attachments must be installed properly before operating the unit.
- Inspect the unit before use. Replace damaged parts. Check for fuel leaks. Make sure all fasteners are in place and secure. Replace parts that are cracked, chipped, or damaged in any way. Do not operate the unit with loose or damaged parts.
- Carefully inspect the area before starting the unit. Remove all debris and hard or sharp objects such as glass, wire, etc.
- Be aware of the risk of injury to the head, hands and feet.
- Clear the area of children, bystanders, and pets. At a minimum, keep all children, bystanders, and pets outside a 50 feet (15 m.) radius; there still may be a risk to bystanders from thrown objects. Bystanders should be encouraged to wear eye protection. If you are approached, stop the unit immediately.
- Use only 0.105 inch (2.67 mm) diameter original equipment manufacturer replacement line. Never use metal-reinforced line, wire or rope. These can break off and become dangerous projectiles.
- Squeeze the throttle control and check that it returns automatically to the idle position. Make all adjustments or repairs before using unit.

#### SAFETY WARNINGS FOR GAS UNITS

- Store fuel only in containers specifically designed and approved for the storage of such materials.



**WARNING:** Gasoline is highly flammable, and its vapors can explode if ignited. Take the following precautions:

- Avoid creating a source of ignition for spilled fuel. Do not start the engine until fuel vapors dissipate.
- Always stop the engine and allow it to cool before filling the fuel tank. Never remove the fuel tank cap or add fuel when the engine is hot. Never operate the unit without the fuel cap securely in place. Loosen the fuel tank cap slowly to relieve any pressure in the tank.
- Add fuel in a clean, well-ventilated outdoor area where there are no sparks or flames. Remove the fuel cap slowly, and only after the engine stops. Do not smoke while fueling. Wipe up any spilled fuel from the unit immediately.
- Avoid creating a source of ignition for spilled fuel. Do not start the engine until fuel vapors dissipate.
- Move the unit at least 30 feet (9.1 m) from the fueling source and site before starting the engine. Do not smoke. Keep sparks and open flames away from the area while adding fuel or operating the unit.

#### WHILE OPERATING

- Never start or run the unit inside a closed room or building. Breathing exhaust fumes can be fatal. Operate this unit only in a well-ventilated outdoor area.
- Wear safety glasses or goggles that meet ANSI Z87.1 standards and are marked as such. Wear ear/hearing protection when operating this unit. Wear a face or dust mask if the operation is dusty.

- Wear heavy long pants, boots, gloves and a long sleeve shirt. Do not wear loose clothing, jewelry, short pants, sandals or go barefoot. Secure hair above shoulder level.
  - The cutting attachment shield must always be in place while operating the unit as a trimmer. Do not operate unit without both trimming lines extended, and the proper line installed. Do not extend the trimming line beyond the length of the shield.
  - This unit has a clutch. The cutting attachment remains stationary when the engine is idling. If it does not, have the unit adjusted by an authorized service technician.
  - Adjust the handle to your size in order to provide the best grip.
  - Be sure the cutting attachment is not in contact with anything before starting the unit.
  - Use the unit only in daylight or good artificial light.
  - Avoid accidental starting. Be in the starting position whenever pulling the starter rope. The operator and unit must be in a stable position while starting. Refer to *Starting/Stopping Instructions*.
  - Use the right tool. Only use this tool for its intended purpose.
  - Do not overreach. Always keep proper footing and balance.
  - Always hold the unit with both hands when operating. Keep a firm grip on both handles or grips.
  - Keep hands, face, and feet at a distance from all moving parts. Do not touch or try to stop the cutting attachment when it rotates.
  - Do not touch the engine, gear housing or muffler. These parts get extremely hot from operation, even after the unit is turned off.
  - Do not operate the engine faster than the speed needed to cut, trim or edge. Do not run the engine at high speed when not cutting.
  - Always stop the engine when cutting is delayed or when walking from one cutting location to another.
  - If you strike or become entangled with a foreign object, stop the engine immediately and check for damage. Do not operate before repairing damage. Do not operate the unit with loose or damaged parts.
  - Stop the unit, switch the engine to off, and disconnect the spark plug for maintenance or repair.
  - Use only original equipment manufacturer replacement parts and accessories for this unit. These are available from your authorized service dealer. Use of any unauthorized parts or accessories could lead to serious injury to the user, or damage to the unit, and void your warranty.
  - Keep unit clean of vegetation and other materials. They may become lodged between the cutting attachment and shield.
  - To reduce fire hazard, replace a faulty muffler and spark arrestor. Keep the engine and muffler free from grass, leaves, excessive grease or carbon build up.
- #### OTHER SAFETY WARNINGS
- Never store a fueled unit inside a building where fumes may reach an open flame or spark.
  - Allow the engine to cool before storing or transporting. Be sure to secure the unit while transporting.
  - Store the unit in a dry area, locked up or up high to prevent unauthorized use or damage, out of the reach of children.
  - Never douse or squirt the unit with water or any other liquid. Keep handles dry, clean and free from debris. Clean after each use, see *Cleaning and Storage* instructions.
  - Keep these instructions. Refer to them often and use them to instruct other users. If you loan someone this unit, also loan them these instructions.

### SAVE THESE INSTRUCTIONS

# RULES FOR SAFE OPERATION

## SAFETY AND INTERNATIONAL SYMBOLS

This operator's manual describes safety and international symbols and pictographs that may appear on this product. Read the operator's manual for complete safety, assembly, operating and maintenance and repair information.

| SYMBOL | MEANING  | SYMBOL | MEANING   |
|--------|--|--------|---|
|        | <ul style="list-style-type: none"> <li><b>SAFETY ALERT SYMBOL</b><br/>Indicates danger, warning or caution. May be used in conjunction with other symbols or pictographs.</li> </ul>   |        | <ul style="list-style-type: none"> <li><b>ON/OFF STOP CONTROL</b><br/>ON / START / RUN</li> </ul>   |
|        | <ul style="list-style-type: none"> <li><b>WARNING - READ OPERATOR'S MANUAL</b><br/>Read the operator's manual(s) and follow all warnings and safety instructions. Failure to do so can result in serious injury to the operator and/or bystanders.</li> </ul>  |        | <ul style="list-style-type: none"> <li><b>ON/OFF STOP CONTROL</b><br/>OFF or STOP</li> </ul>  |
|        | <ul style="list-style-type: none"> <li><b>WEAR EYE AND HEARING PROTECTION</b><br/><b>WARNING:</b> Thrown objects and loud noise can cause severe eye injury and hearing loss. Wear eye protection meeting ANSI Z87.1 standards and ear protection when operating this unit. Use a full face shield when needed.</li> </ul> |        | <ul style="list-style-type: none"> <li><b>KEEP BYSTANDERS AWAY</b><br/><b>WARNING:</b> Keep all bystanders, especially children and pets, at least 50 feet (15 m) from the operating area.</li> </ul>   |
|        | <ul style="list-style-type: none"> <li><b>PRIMER BULB</b><br/>Push primer bulb, fully and slowly, 10 times.</li> </ul>   |        | <ul style="list-style-type: none"> <li><b>HOT SURFACE WARNING</b><br/>Do not touch a hot muffler, gear housing or cylinder. You may get burned. These parts get extremely hot from operation. They remain hot for a short time after the unit is turned off.</li> </ul> |
|        | <ul style="list-style-type: none"> <li><b>UNLEADED FUEL</b><br/>Always use clean, fresh unleaded fuel</li> </ul>   |        | <ul style="list-style-type: none"> <li><b>SHARP BLADE</b><br/><b>WARNING:</b> Sharp blade on cutting attachment shield. To prevent serious injury, do not touch the line cutting blade.</li> </ul>  |
|        | <ul style="list-style-type: none"> <li><b>OIL</b><br/>Refer to operator's manual for the proper type of oil.</li> </ul>  |        | <ul style="list-style-type: none"> <li><b>THROWN OBJECTS AND ROTATING CUTTER CAN CAUSE SEVERE INJURY</b><br/><b>WARNING:</b> Do not operate without the cutting attachment shield in place. Keep away from the rotating cutting attachment.</li> </ul>                  |

## KNOW YOUR UNIT

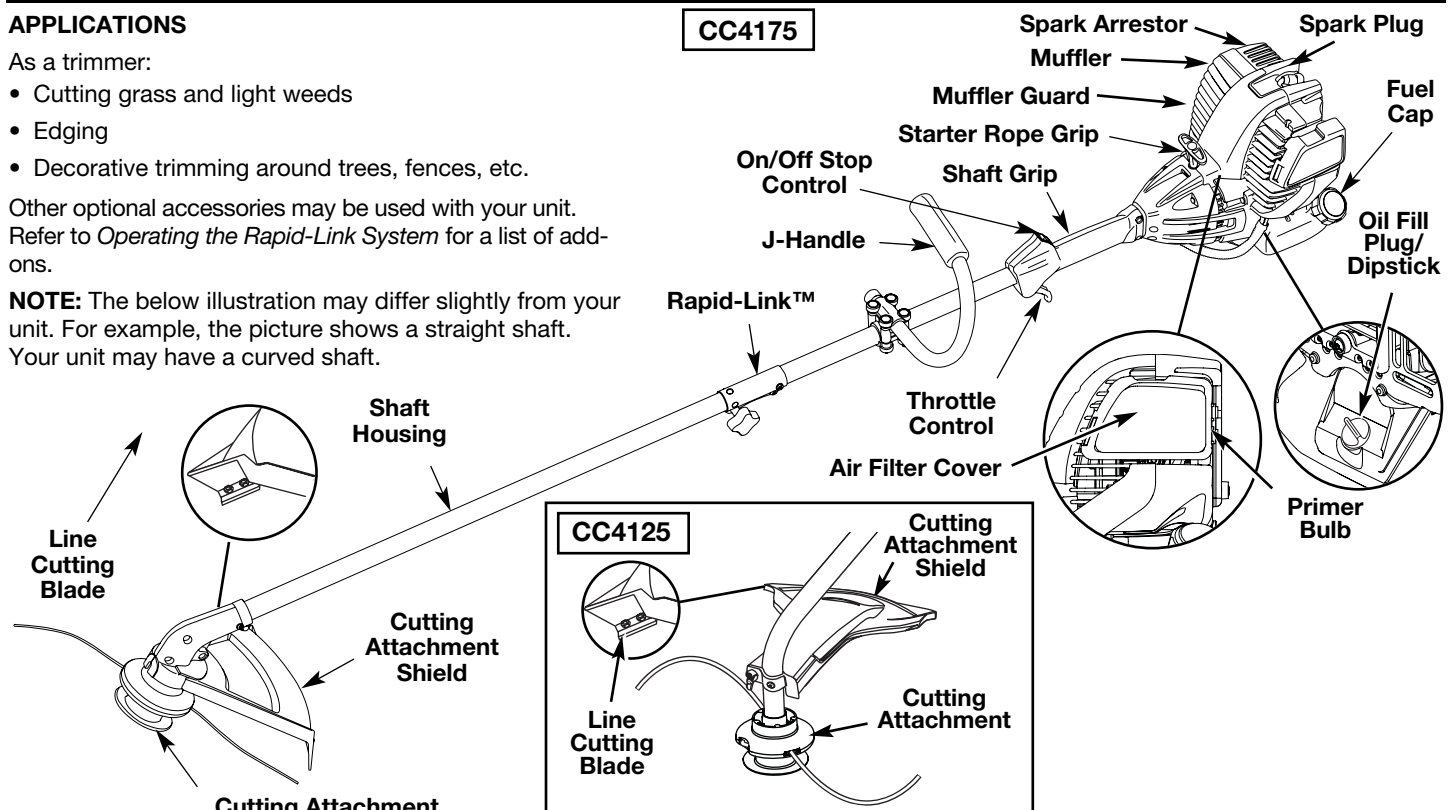
### APPLICATIONS

As a trimmer:

- Cutting grass and light weeds
- Edging
- Decorative trimming around trees, fences, etc.

Other optional accessories may be used with your unit. Refer to *Operating the Rapid-Link System* for a list of add-ons.

**NOTE:** The below illustration may differ slightly from your unit. For example, the picture shows a straight shaft. Your unit may have a curved shaft.



## ASSEMBLY INSTRUCTIONS

### INSTALL CUTTING ATTACHMENT SHIELD



**WARNING:** To prevent serious personal injury, never operate the trimmer without the cutting attachment shield in place.

Use the following instructions if the cutting attachment shield on your unit is not installed. Use only the instructions that apply to the type of shaft and shield that your unit is equipped with.

#### CC4125

1. Place the cutting attachment shield onto the shaft housing. Be sure the guard mounting bracket slides into the slot on the edge of the cutting shield. Rotate the shield into place, counterclockwise. The holes in the guard mounting bracket and cutting attachment shield will line up (Fig. 1).

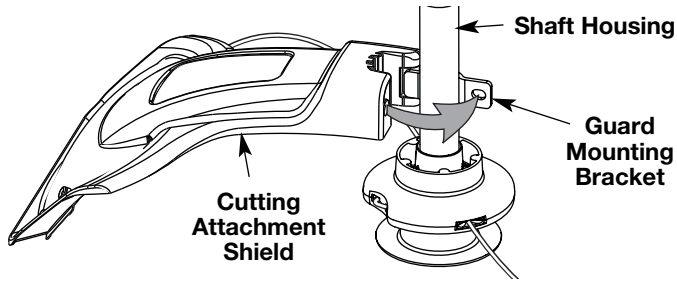


Fig. 1

2. From inside the cutting attachment shield, push the square bolt through the hole until the threaded end protrudes through the guard mounting bracket (Fig. 2).

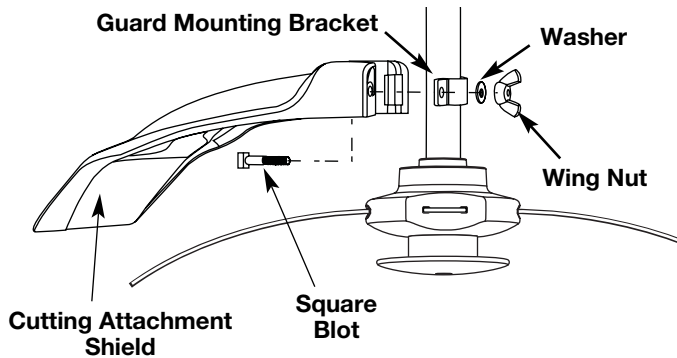


Fig. 2

3. Put the washer on the bolt, then screw the wing nut onto the bolt and tighten. Figure 3 shows the installation process from underneath the unit.

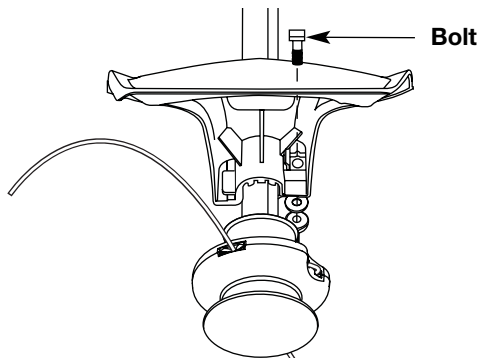


Fig. 3

#### CC4175

1. Slide the cutting attachment shield into the shield mount on the cutting attachment. Align the screw holes in the shield with the holes in the cutting attachment (Fig. 4).
2. Place a hex lock nut into one of the three recessed holes on the top of the cutting attachment shield (Fig 5).

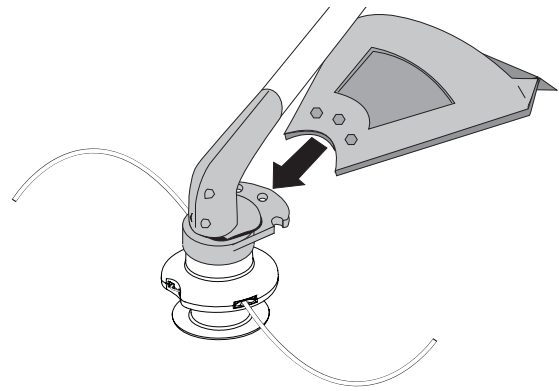


Fig. 4

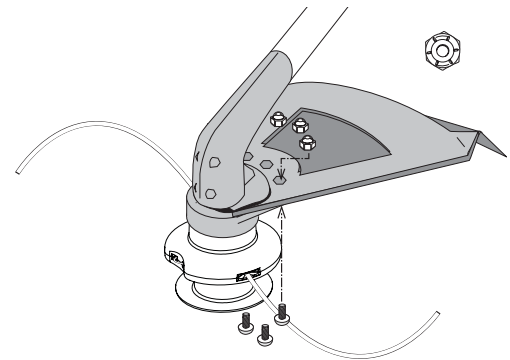


Fig. 5

3. Install a screw into the hole from the bottom of the cutting attachment shield and screw it into the nut installed in step 2 (Fig. 5). Do not tighten.
4. Repeat steps 2 and 3 until all three screws have been started, then tighten securely.

### ADJUST THE J-HANDLE

1. Loosen the screws.
2. Slide the J-handle in or out until the arrow/white line on the decal touches the clamp assembly (Fig. 6). You must first loosen the screws if the handle is pre-installed.

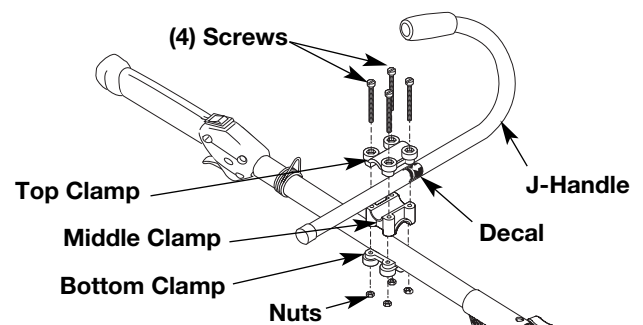


Fig. 6

3. While holding the unit in the operating position (Fig. 18), position the J-handle to the location that provides you the best grip.
4. Tighten the clamp screws evenly, until the J-handle is secure.



**WARNING: OVERFILLING OIL CRANKCASE MAY CAUSE SERIOUS PERSONAL INJURY.** Check and maintain the proper oil level in the crank case; it is important and cannot be overemphasized. Check the oil before each use and change it as needed. See *Changing the Oil*.

## RECOMMENDED OIL TYPE

Using the proper type and weight of oil in the crankcase is extremely important. Check the oil before each use and change the oil regularly. Failure to use the correct oil, or using dirty oil, can cause premature engine wear and failure. Use a high-quality SAE 30 weight oil of API (American Petroleum Institute) service class SF, SG, SH.

## ADDING OIL TO CRANKCASE: INITIAL USE

**NOTE:** This unit is shipped without oil. In order to avoid damage to the unit, put oil in the crankcase before you attempt to start the unit.

Your unit is supplied with one 3.04 fluid oz. (90 ml.) bottle of SAE 30 SF, SG, SH oil (Fig. 7).

**NOTE:** Save the bottle of oil. It can be used to measure the correct amount during future oil changes. See *Changing the Oil*.

1. Unscrew the top of the bottle of oil and remove the paper seal covering the opening. Replace the top. Next, cut the tip off the funnel spout (Fig. 7).

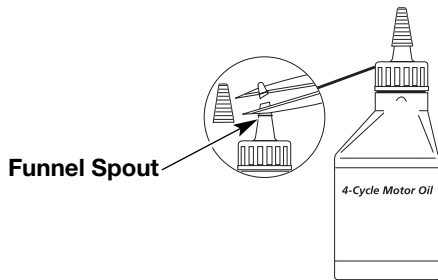


Fig. 7

2. Place the unit on a flat level surface (Fig. 8).

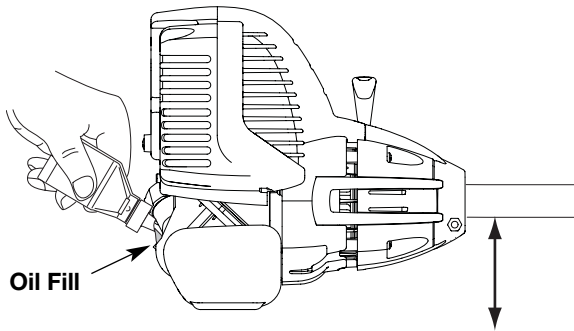


Fig. 8

3. Remove the oil plug / dipstick from the crankcase (Fig. 9).

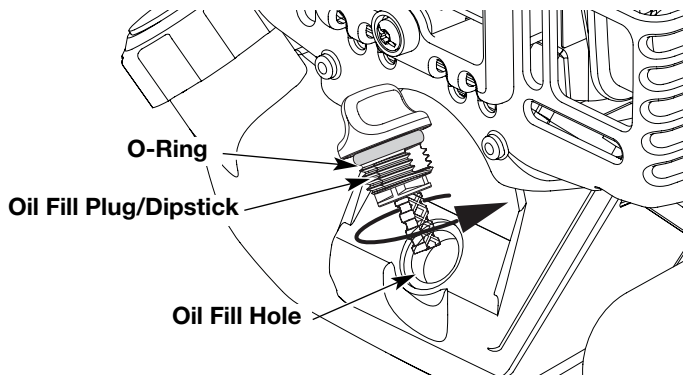


Fig. 9

4. Pour the entire bottle of oil into the oil fill hole (Fig. 8).

**NOTE:** Never add oil to the fuel or fuel tank.

5. Wipe up any oil that may have spilled and reinstall the oil fill plug / dipstick.

Check oil before each use and change as needed. Refer to *Changing the Oil*.

## RECOMMENDED FUEL TYPE

Old fuel is the primary reason for improper unit performance. Be sure to use fresh, clean, unleaded gasoline.

**NOTE:** This is a four cycle engine. In order to avoid damage to the unit, **do not mix oil with gasoline**.

## Definition of Blended Fuels

Today's fuels are often a blend of gasoline and oxygenates such as ethanol, methanol or MTBE (ether). Alcohol-blended fuel absorbs water. As little as 1% water in the fuel can make fuel and oil separate or form acids when stored. Use fresh fuel (less than 60 days old), when using alcohol-blended fuel.

## Using Blended Fuels

If you choose to use a blended fuel, or its use is unavoidable, follow recommended precautions:

- Always use fresh unleaded gasoline
- Use the fuel additive STA-BIL® or an equivalent
- Drain tank and run the engine dry before storing unit

## Using Fuel Additives

The use of fuel additives, such as STA-BIL® Gas Stabilizer or an equivalent, will inhibit corrosion and minimize the formation of gum deposits. Using a fuel additive can keep fuel from forming harmful deposits in the carburetor for up to six (6) months. Add 0.8 oz. (23 ml.) of fuel additive per gallon of fuel according to the instructions on the container. NEVER add fuel additives directly to the unit's gas tank.

## FUELING THE UNIT

**WARNING:** Gasoline is extremely flammable. Ignited vapors may explode. Always stop the engine and allow it to cool before filling the fuel tank. Do not smoke while filling the tank. Keep sparks and open flames at a distance from the area.

1. Remove the fuel cap (Fig. 10).

**WARNING:** Remove fuel cap slowly to avoid injury from fuel spray. Never operate the unit without the fuel cap securely in place.

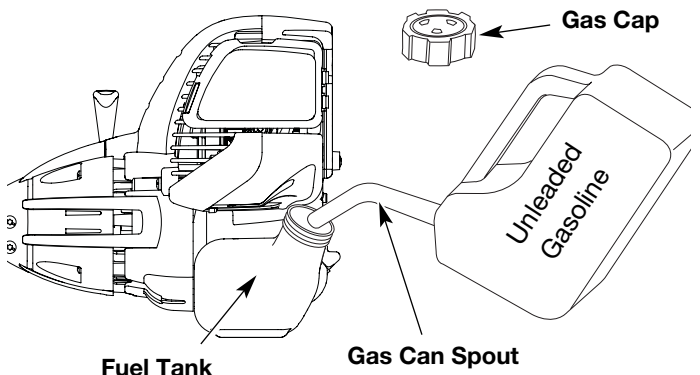


Fig. 10

2. Place the gas container's spout into the fill hole on the fuel tank (Fig. 10) and fill the tank.

**WARNING:** Add fuel in a clean, well ventilated outdoor area. Wipe up any spilled fuel immediately. Avoid creating a source of ignition for spilt fuel. Do not start the engine until fuel vapors dissipate.

**NOTE:** Do not overfill the tank.

3. Wipe up any gasoline that may have spilled.
4. Reinstall the fuel cap.
5. Move the unit at least 30 ft. (9.1 m) from the fueling source and site before starting the engine.

**NOTE:** Dispose of the old gasoline in accordance to Federal, State and Local regulations.

## STARTING / STOPPING INSTRUCTIONS



**WARNING:** Operate this unit only in a well-ventilated outdoor area. Carbon monoxide exhaust fumes can be lethal in a confined area.



**WARNING:** Avoid accidental starting. Make sure you are in the starting position when pulling the starter rope (Fig. 13). To avoid serious injury, the operator and unit must be in a stable position while starting. Make sure that any Add-On item is installed correctly and secure before starting the unit.

### STARTING INSTRUCTIONS

1. Check the oil level in the crankcase. Refer to *Checking the Oil Level*.
2. Fill the fuel tank with fresh, clean unleaded gasoline. Refer to *Fueling the Unit*.

**NOTE:** There is no need to turn the unit on. The On/Off Stop Control is in the ON (I) position at all times (Fig. 11).

**IF COLD...** For cold weather conditions (below 40°F), flip the Cold Weather Start Lever (Fig. 14) down to the start/closed position and continue to step 3. **DO NOT** flip this lever down if the temperature is above 40°F.

3. Fully press and release the primer bulb 10 times, slowly. Some amount of **fuel should be visible in the primer bulb** and fuel lines (Fig. 12). If you can't see fuel in the bulb, press and release the bulb as many times as it takes before you can see fuel in it.

4. With the unit in the starting position, **do not squeeze the throttle control** (Fig. 13). Pull the starter rope out a short distance, until you feel some resistance. This is usually around 2-4 inches. Then pull the rope smoothly and briskly. Repeat this 5 times. The engine should start.

**IF COLD...** For cold weather conditions (below 40°F), flip the Cold Weather Start Lever back up to the run/open position after the unit has started and before squeezing the throttle control.

5. Squeeze the throttle control to warm up the engine for 15 to 30 seconds. In cold weather, let the engine warm up for 30 to 60 seconds.

**IF...** The engine does not start, go back to step 3.

**IF...** The engine stops while you are squeezing the throttle, go back to step 4.

### STOPPING INSTRUCTIONS

1. Release your hand from the throttle control. Allow the engine to cool down by idling.
2. Put the On/Off Stop Control in the OFF (O) position.

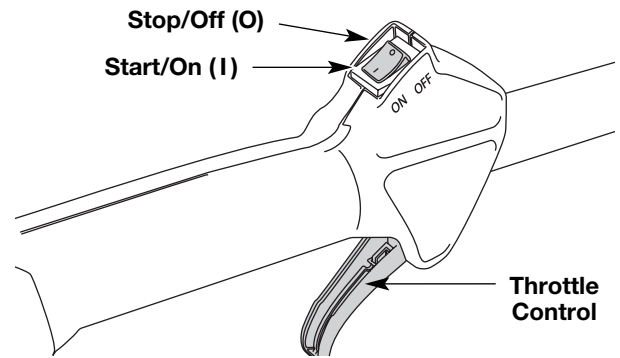


Fig. 11

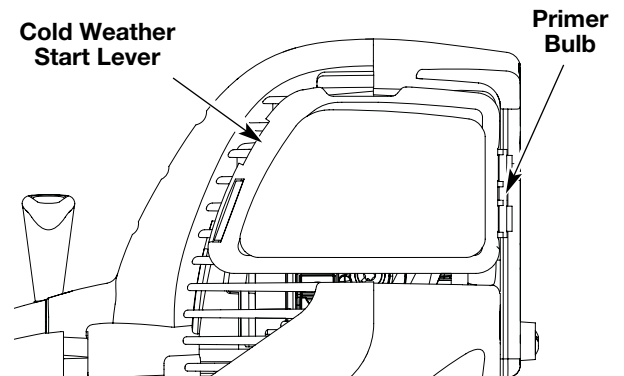


Fig. 12

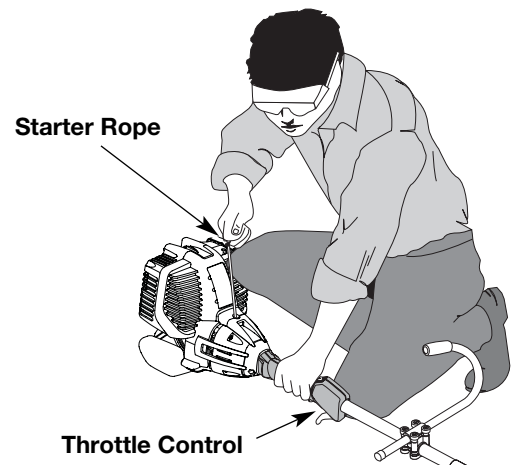


Fig. 13

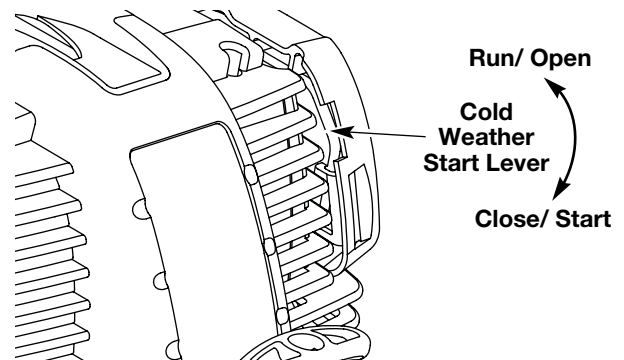


Fig. 14

# OPERATING INSTRUCTIONS


## OPERATING THE RAPID-LINK™ SYSTEM


The Rapid-Link™ system enables the use of this optional Add-On:

Blower/Trimmer . . . . .CCBT\*

\* **Do NOT use this attachment with an electric powered unit.**

### Removing the Cutting Attachment or Add-On

 **WARNING:** Before you begin using any attachment, read and understand the manual that came with the attachment. Follow all safety information contained within.

 **WARNING:** To avoid serious personal injury and damage to the unit, shut the unit off before removing or installing add-ons.

1. Turn the knob counterclockwise to loosen (Fig. 15).
2. Press and hold the release button (Fig. 15).
3. While firmly holding the upper shaft housing, pull the cutting attachment or add-on straight out of the Rapid-Link™ coupler (Fig. 16).

### Installing the Cutting Attachment or Add-On

**NOTE:** Place the unit on the ground or on a work bench to make add-on installation or removal easier.

1. Turn knob counterclockwise to loosen (Fig. 15).

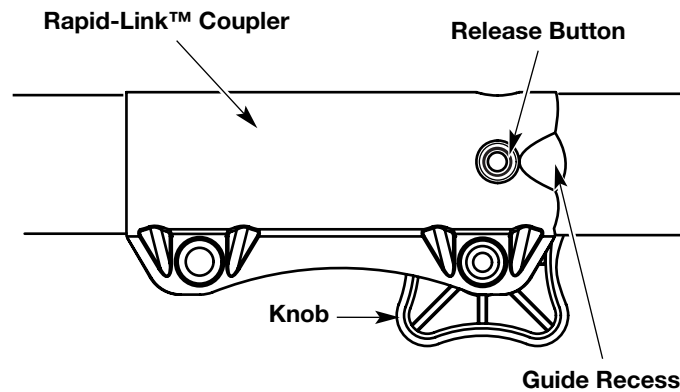


Fig. 15

2. While firmly holding the add-on, push it straight into the Rapid-Link™ coupler (Fig. 16).

**NOTE:** Aligning the release button with the guide recess will help installation (Fig. 15).

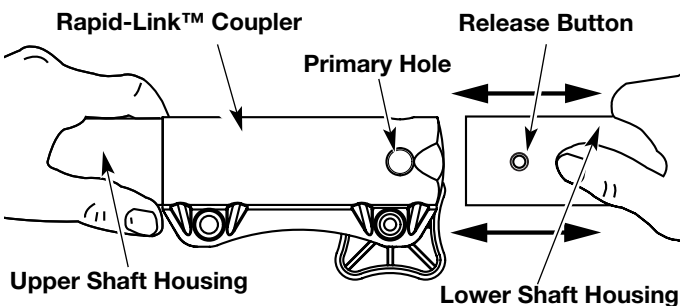



Fig. 16

3. Turn the knob clockwise to tighten (Fig. 17).

 **CAUTION:** Lock the release button in the primary hole and securely tighten the knob before operating this unit.

**90° Edging Hole  
(Trimmer Only)**

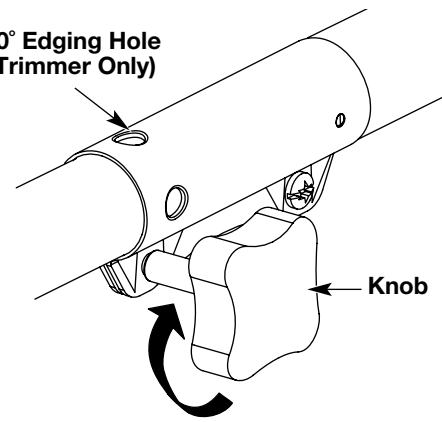




Fig. 17

 **CAUTION:** Add-ons are to be used in the primary hole only. Using the wrong hole could lead to personal injury or damage to the unit.

For edging (when using the line head cutting attachment with Rapid-Link™ models), lock the release button of the cutting attachment into the **90° edging hole** (Fig. 17).

### HOLDING THE TRIMMER

 **WARNING:** Always wear eye, hearing, foot and body protection to reduce the risk of injury when operating this unit.

Before operating the unit, stand in the operating position (Fig. 18). Check for the following:

- The operator is wearing eye protection and proper clothing
- With a slightly-bent right arm, the operator's right hand is holding the shaft grip
- The operator's left arm is straight, the left hand holding the handle
- The unit is at waist level
- The cutting attachment is parallel to the ground and easily contacts the grass without the need to bend over

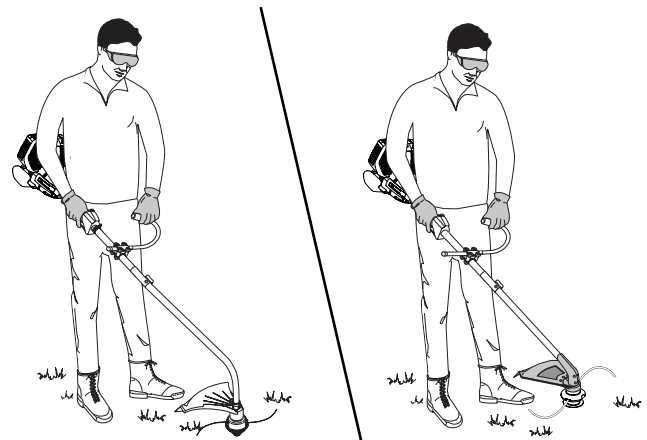


Fig. 18

Some line breakage will occur from:

- Entanglement with foreign matter
- Normal line fatigue
- Attempting to cut thick, stalky weeds
- Forcing the line into objects such as walls or fence posts

## OPERATING INSTRUCTIONS

### TIPS FOR BEST TRIMMING RESULTS

- For best trimming results, operate unit at full throttle.
- Keep the cutting attachment parallel to the ground.
- Do not force the cutting attachment. Allow the tip of the line to do the cutting, especially along walls. Cutting with more than the tip will reduce cutting efficiency and may overload the engine.
- Cut grass over 8 inches (200 mm) by working from top to bottom in small increments to avoid premature line wear or engine drag.
- Slowly move the trimmer into and out of the cutting area at the desired height. Move either in a forward-backward or side-to-side motion. Cutting shorter lengths produces the best results.
- Trim only when grass and weeds are dry.
- The life of your cutting line is dependent upon:
  - Proper adherence of explained trimming techniques
  - What vegetation is cut
  - Where vegetation is cut

For example, the line will wear faster when trimming against a foundation wall as opposed to trimming around a tree.

### DECORATIVE TRIMMING

Decorative trimming is accomplished by removing all vegetation around trees, posts, fences and more.

Rotate the whole unit so that the cutting attachment is at a 30° angle to the ground (Fig. 19).

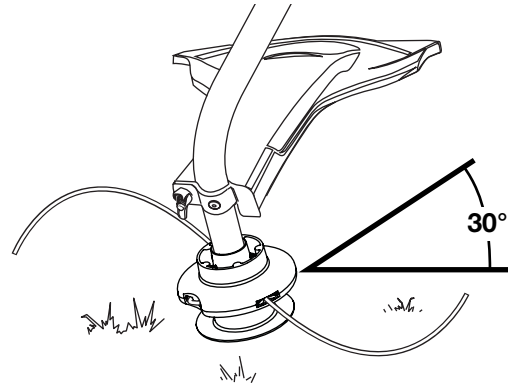


Fig. 19

## MAINTENANCE AND REPAIR INSTRUCTIONS

### MAINTENANCE SCHEDULE

Perform these required maintenance procedures at the frequency stated in the table. These procedures should also be a part of any seasonal tune-up.

**NOTE:** Some maintenance procedures may require special tools or skills. If you are unsure about these procedures take your unit to any non-road engine repair establishment, individual or authorized service dealer.

**NOTE:** Maintenance, replacement, or repair of the emission control devices and system may be performed by any non-road engine repair establishment, individual or authorized service dealer.



**WARNING:** To prevent serious injury, never perform maintenance or repairs with unit running. Always service and repair a cool unit. Disconnect the spark plug wire to ensure that the unit cannot start.

| FREQUENCY  | MAINTENANCE REQUIRED   | REFER TO                      |
|--|--|-------------------------------|
| Before starting engine   | Fill fuel tank with fresh fuel<br>Check oil  | Page 5<br>Page 9              |
| Every 10 hours   | Clean and re-oil air filter  | Page 10                       |
| First change at 10 hours<br>At 25 hours<br>Every 25 hours thereafter | Change oil<br>Change oil<br>Clean spark arrestor   | Page 9<br>Page 9<br>Page 13   |
| 10 hours on new engine<br>Every 25 hours<br>Every 25 hours           | Check rocker arm to valve clearance and adjust<br>Check rocker arm to valve clearance and adjust<br>Check spark plug condition and gap | Page 11<br>Page 11<br>Page 13 |

### FIXED LINE INSTALLATION

Always use original equipment manufacturer 0.105 inch (2.67 mm) replacement line. Lines other than those specified may make the engine overheat or fail.

To install the trimming line:

1. Insert each end of the replacement line into the holes on either side of retention hook (Fig. 20).
2. Push the ends through until they stick out of the sides of the head (Fig. 21).

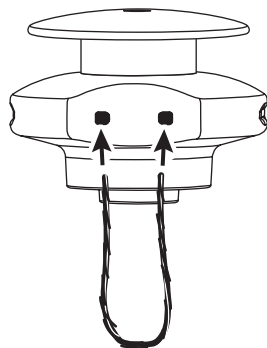


Fig. 20



**WARNING:** Never use metal-reinforced line, wire, chain, or rope. These can break off and become dangerous projectiles.

3. Pull the ends through making sure that the ends are of equal length and the middle of the line is centered between the insertion holes (Fig. 22).
4. If the ends are not of equal length, push the longer end part way back through the head part way and pull the shorter end to compensate. Repeat until both ends are the same length.

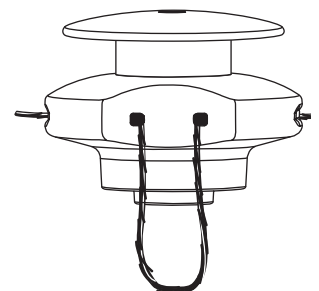


Fig. 21



## MAINTENANCE AND REPAIR INSTRUCTIONS

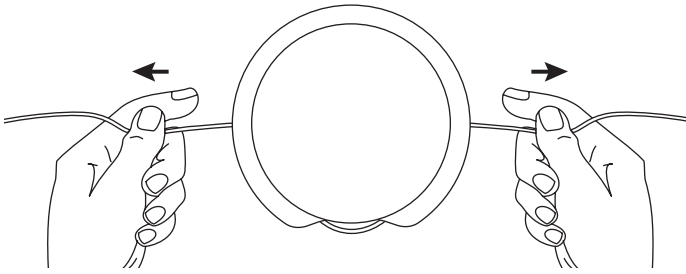


Fig. 22

5. Push the trimmer line until it lies flat against the cutting head (Fig. 23). Make sure the two lengths of cutting line are of equal length. If they are not, adjust until they are.

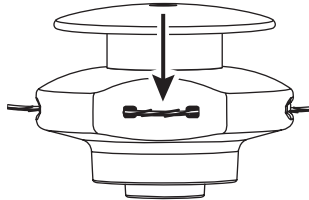


Fig. 23



**WARNING:** Always use the correct line length when installing trimming line on the unit. If the two lengths of cutting line are not of equal length, the unit may develop a vibration.

### CHECKING THE OIL LEVEL



**WARNING:** To prevent extensive engine wear and damage to the unit, always maintain the proper oil level in the crankcase. Never operate the unit with the oil level below the bottom of the dipstick.

The importance of checking and maintaining the proper oil level in the crankcase cannot be overemphasized. Check oil before each use:

1. Stop the engine and allow oil to drain into the crankcase.
2. Place the unit on a flat, level surface to get a proper oil level reading.
3. Keep dirt, grass clippings and other debris out of the engine. Clean the area around the oil fill plug/dipstick before removing it.
4. Remove the oil fill plug/dipstick and wipe off oil. Reinsert it all the way back in.
5. Remove the oil fill plug/dipstick and check the oil level. Oil should be up to the top of the dipstick (Fig. 24).

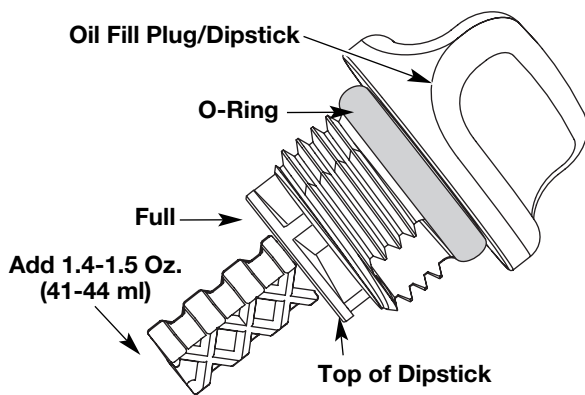


Fig. 24

6. If the level is low, add a small amount of oil to the oil fill hole and recheck (Fig. 25). Repeat this procedure until the oil level reaches the top of the dipstick.

**NOTE:** Do not overfill the unit.

**NOTE:** Make sure the O-ring is in place on the oil fill plug/dipstick when checking and changing the oil (Fig. 25).

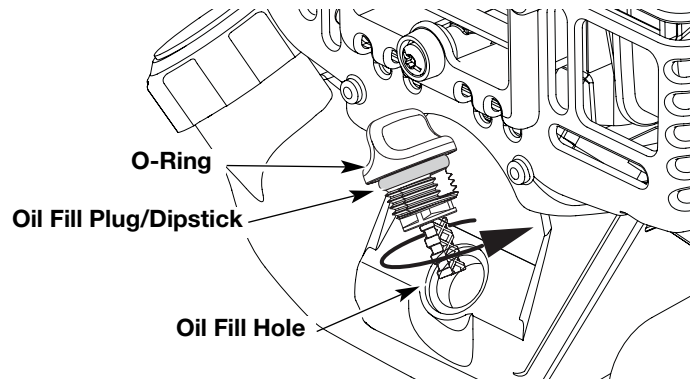


Fig. 25

### CHANGING THE OIL

For a new engine, change the oil after the first 10 hours of operation. Change the oil while the engine is still warm. The oil will flow freely and carry away more impurities.

1. Unplug spark plug boot to prevent accidental starting.
2. Remove the oil fill plug/dipstick.



**CAUTION:** Wear gloves to prevent injury when handling the unit.

3. Pour the oil out of the oil fill hole and into a container by tipping the unit to a vertical position (Fig. 26). Allow ample time for complete drainage.

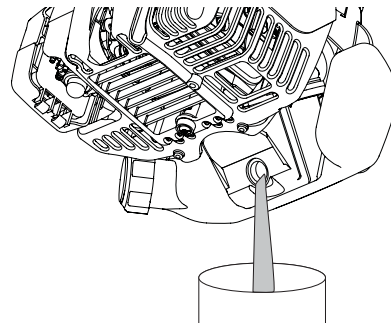


Fig. 26

4. Wipe up any oil residue on the unit and clean up any oil that may have spilled. Dispose of the oil according to Federal, State and local regulations.
5. Refill the crankcase with 3.04 fluid ounce (90 ml) of SAE 30 SF, SG, SH oil.

**NOTE:** Use the bottle and spout saved from initial use to measure the correct amount of oil. The top of the label on the bottle measures approximately 3.4 ounces (100 ml) (Fig. 27). Check the level with the dipstick. If the level is low, add a small amount of oil and recheck. Do not overfill (Fig. 27).

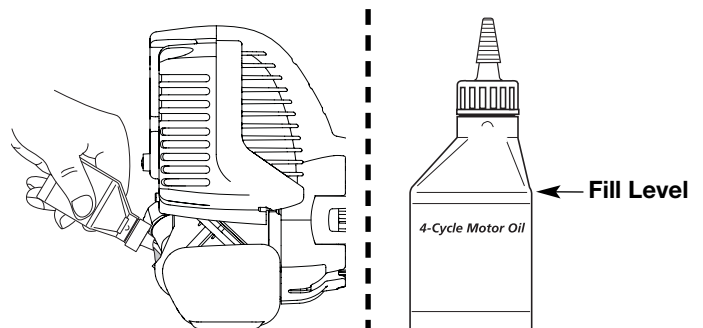


Fig. 27

6. Replace the oil fill plug/dipstick.
7. Reconnect the spark plug boot.

## AIR FILTER MAINTENANCE

### Cleaning the Air Filter



**WARNING:** To avoid serious personal injury, always turn the unit off and allow it to cool before you clean or service it.

Clean and re-oil the air filter every 10 hours of operation. It is an important item to maintain. Failure to maintain your air filter properly can result in poor performance or can cause permanent damage to your engine.

1. Open the air filter cover. Push the tab on the left side of the cover inward. Then pull the air filter cover out and to the right (Fig. 28).

**NOTE:** It may be necessary to remove the fuel cap to completely remove the air filter cover.

2. Remove the air filter (Fig. 28).

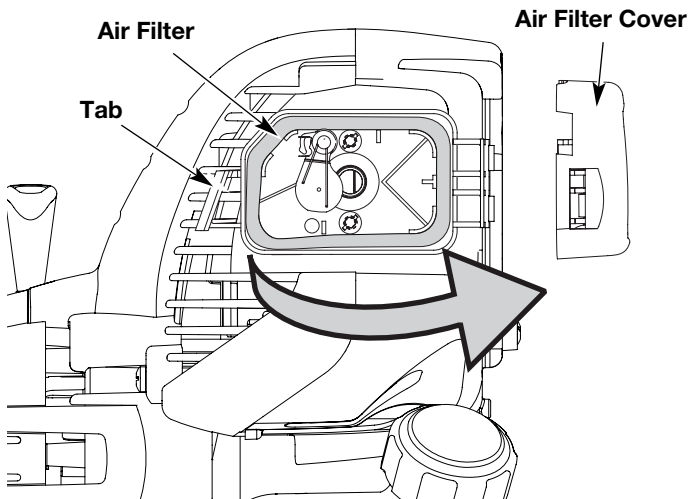


Fig. 28

3. Wash the filter in detergent and water (Fig. 29). Rinse the filter thoroughly and allow it to dry.

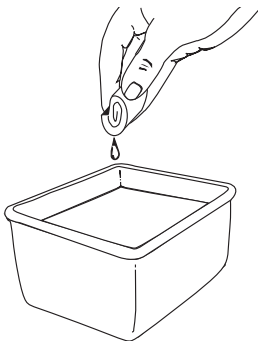


Fig. 29

4. Apply enough clean SAE 30 motor oil to lightly coat the filter (Fig. 30).

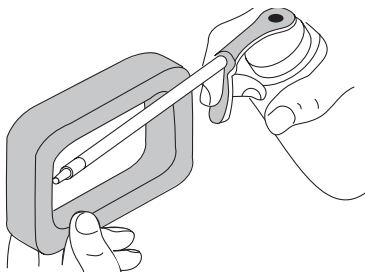


Fig. 30

5. Squeeze the filter to spread and remove excess oil (Fig. 31).

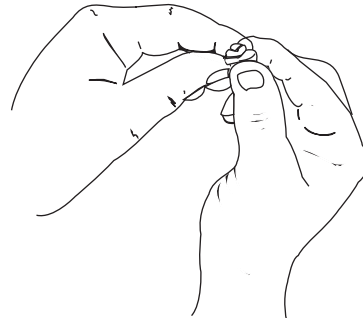


Fig. 31

6. Replace the filter (Fig. 32).

**NOTE:** If the unit is operated without the air filter, you will **VOID** the warranty.

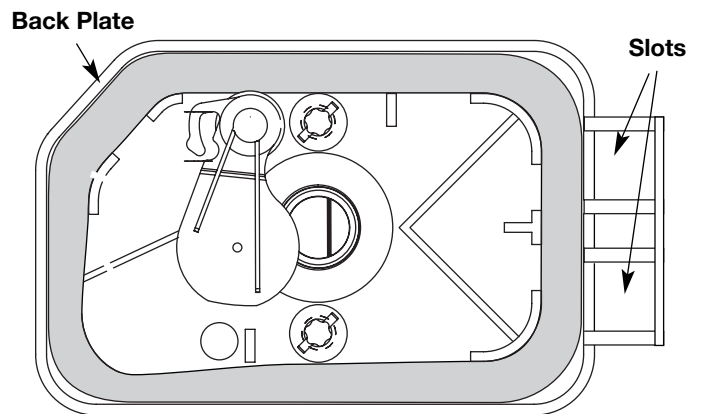


Fig. 32

7. Reinstall the air filter cover. Position the hooks on the right side of the air filter cover into the slots at the right side of the back plate (Fig. 33, no.1).
8. Swing the cover to the left until the tab on the air filter cover snaps into place in the slot on the back plate (Fig. 33, no. 2).

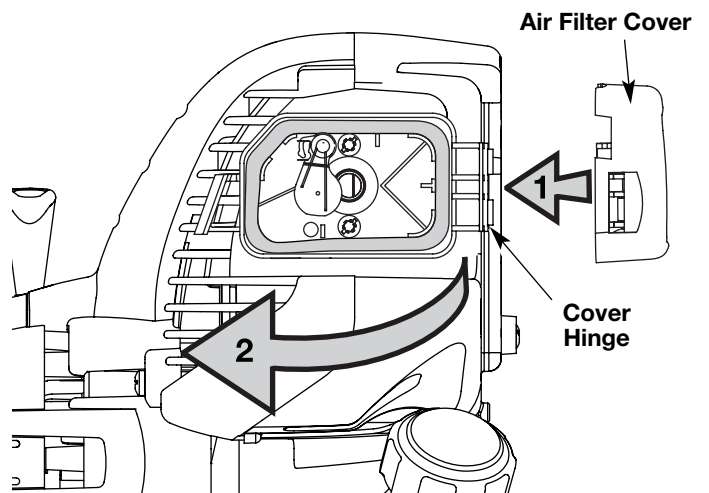


Fig. 33

## CARBURETOR ADJUSTMENT

The idle speed of the engine is adjustable. An idle adjustment screw is reached through a hole in the top of the engine cover (Fig. 34).

**NOTE:** Careless adjustments can seriously damage your unit. An authorized service dealer should make carburetor adjustments.

### Check Fuel

Old fuel is usually the reason for improper unit performance. Drain and refill the tank with fresh fuel prior to making any adjustments. Refer to *Oil and Fuel Information*.

### Clean Air Filter

The condition of the air filter is important to the operation of the unit. A dirty air filter will restrict air flow. This is often mistaken for an out of adjustment carburetor. Check the condition of the air filter before adjusting the idle speed screw. Refer to *Air Filter Maintenance*.



**WARNING:** The cutting attachment may spin during idle speed adjustments. Wear protective clothing and observe all safety instructions to prevent serious personal injury.

### Adjust Idle Speed Screw

If, after checking the fuel and cleaning the air filter, the engine still will not idle, adjust the idle speed screw as follows:

1. Start the engine and let it run at a high idle for a minute to warm up. Refer to *Starting/Stopping Instructions*.
2. Release the throttle trigger and let the engine idle. If the engine stops, insert a small phillips or flat blade screwdriver into the hole in the air filter/muffler cover (Fig. 34). Turn the idle speed screw in, **clockwise**, 1/8 of a turn at a time (as needed) until the engine idles smoothly.

**NOTE:** The cutting attachment should not rotate when the engine idles.

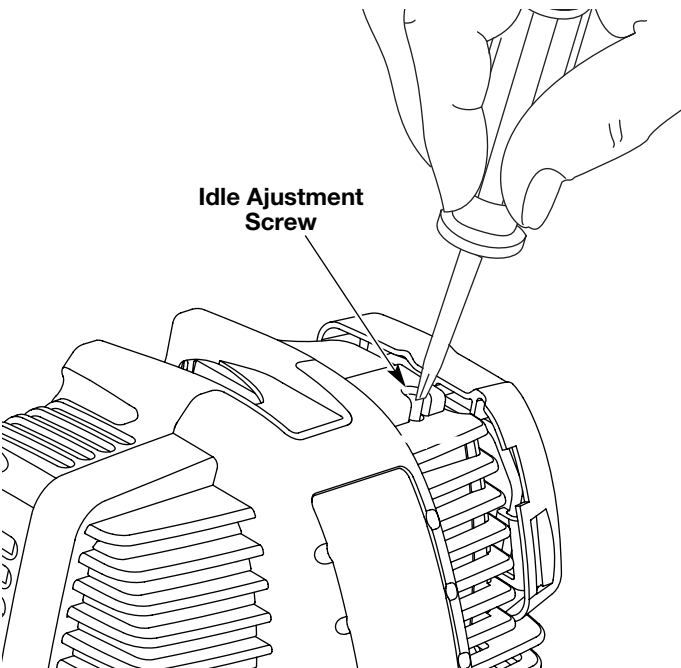


Fig. 34

Checking the fuel, cleaning the air filter, and adjusting the idle speed should solve most engine problems. If not and all of the following are true:

- the engine will not idle
- the engine hesitates or stalls on acceleration
- there is a loss of engine power

Have the carburetor adjusted by an authorized service dealer.



**WARNING:** To prevent serious personal injury, make sure the cutting attachment has stopped rotating before you turn it off and set it down.

## ROCKER ARM CLEARANCE

This requires disassembly of the engine. If you feel unsure or unqualified to perform this, take the unit to an authorized service center.

**NOTE:** Inspect the valve to rocker arm clearance with a feeler gauge after the first 10 hours of operation and then every 25 hours of operation thereafter.

- The engine must be cold when checking or adjusting the valve clearance.
  - This task should be performed inside in a clean, dust free area.
1. Remove the five (5) screws on back of the engine cover with a Flat-head or T-20 Torx screwdriver (Fig. 35).

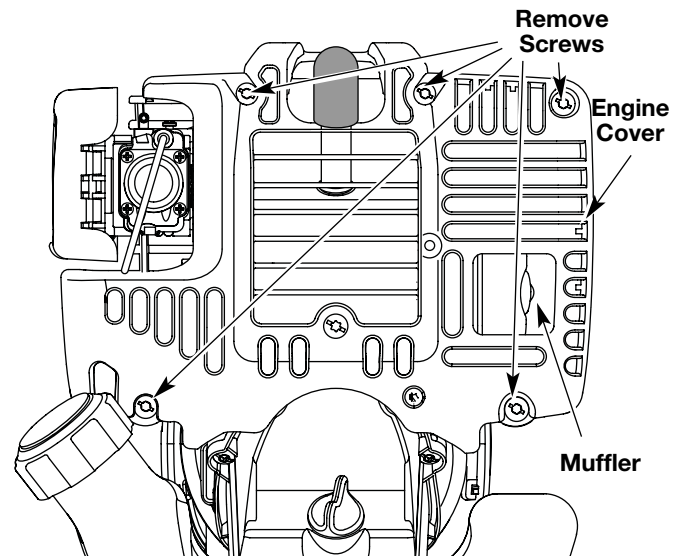


Fig. 35

2. Remove the screw behind the engine cover with a Flat-head or T-25 Torx screwdriver (Fig. 36).

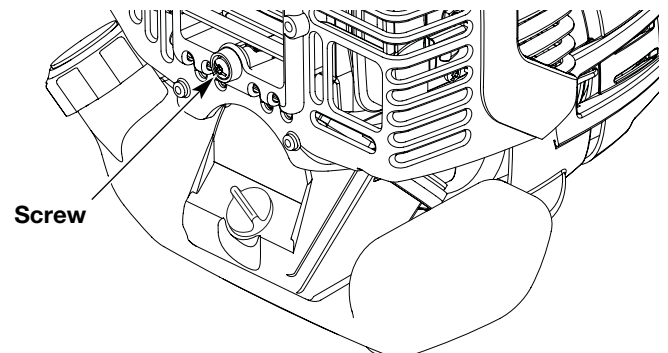


Fig. 36

3. If the cutting attachment rotates when the engine idles, turn the idle speed screw **counterclockwise** 1/8 of a turn at a time (as needed), to reduce idle speed.

## MAINTENANCE AND REPAIR INSTRUCTIONS

3. Disconnect the spark plug wire.
4. Clean dirt from around the spark plug. Remove the spark plug from the cylinder head by turning a 5/8 in. socket counterclockwise.
5. Remove the engine cover (Fig. 35 & 36).
6. Clean dirt from around the rocker arm cover. Remove the screw holding the rocker arm cover with a large flat blade screwdriver or Torx T-25 bit (Fig. 37). Remove the rocker arm cover and gasket.

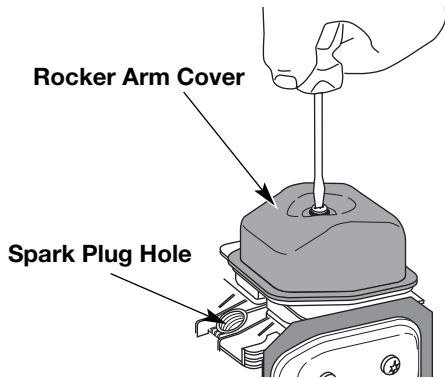


Fig. 37

7. Pull the starter rope slowly to bring the piston to the top of its travel, (known as top dead center). Check that:
  - The piston is at the top of its travel while looking in the spark plug hole (Fig. 37)
  - Both rocker arms move freely, and both valves are closed
 If these statements are not true, repeat this step.
8. Slide the feeler gauge between the rocker arm and the valve return spring. Measure the clearance between the valve stem and rocker arm (Fig. 38). Measure both the intake and exhaust valves.

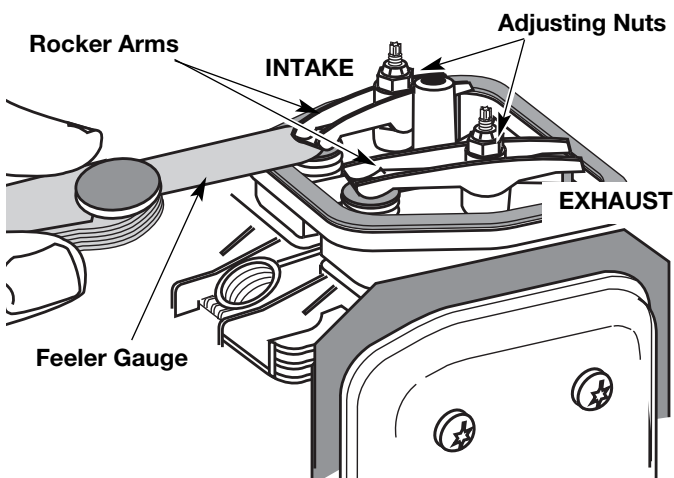


Fig. 38

The recommended clearance for both intake and exhaust is .003 – .006 in. (.076 – 0.152 mm). Use a standard automotive .005 in. (0.127 mm) feeler gauge. The feeler gauge should slide between the rocker arm and valve stem with a slight amount of resistance, without binding. Figure 38 and 39 show how to measure the clearance.

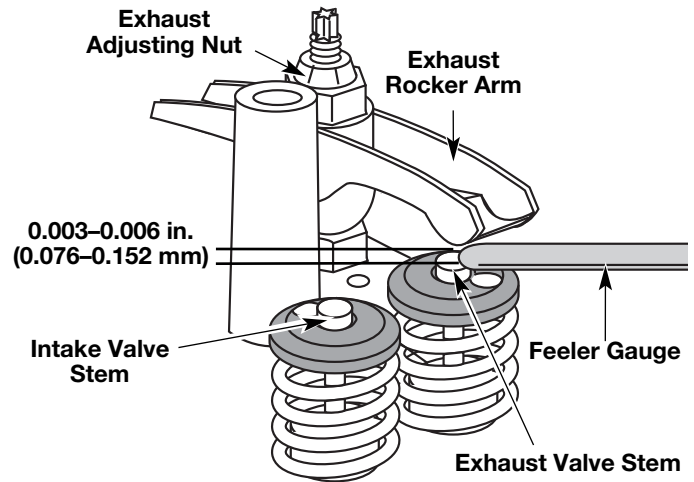



Fig. 39

9. If the clearance is not within specification:
  - a. Turn the adjusting nut using a 5/16 inch (8 mm) wrench or nut driver (Fig. 39).
    - To increase clearance, turn the adjusting nut counterclockwise.
    - To decrease clearance, turn the adjusting nut clockwise.
  - b. Recheck both clearances, and adjust as necessary.
10. Reinstall the rocker arm cover using a new gasket. Torque the screw to 20–30 in•lb (2.2–3.4 N•m).
11. Reinstall the engine cover. Check alignment of the cover before tightening the screws. Tighten screws.
12. Reinstall the muffler cover. Slip the rear tab on the muffler cover into the engine cover rear slot. Then slide the remaining slots into the tabs until they snap into place (Fig. 33).
13. Check the spark plug and reinstall. See *Replacing the Spark Plug*.
14. Replace the spark plug wire.

## REPLACING THE SPARK PLUG

Use a replacement part number **791-180852B** spark plug. The correct air gap is 0.025 in. (0.635 mm.). Remove the plug after every 25 hours of operation and check its condition.

1. Stop the engine and allow it to cool. Grasp the plug wire firmly and pull the cap from the spark plug.
2. Clean dirt from around the spark plug. Remove the spark plug from the cylinder head by turning a 5/8 in. socket counterclockwise.



**WARNING:** Do not sand blast, scrape or clean electrodes. Grit in the engine could damage the cylinder.

3. Replace cracked, fouled or dirty spark plug. Set the air gap at 0.025 in. (0.635 mm.) using a feeler gauge (Fig. 40).

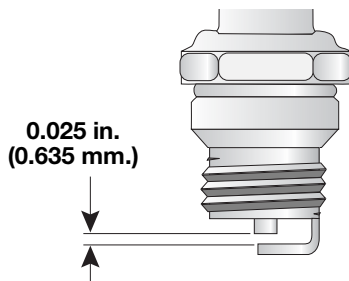


Fig. 40

4. Install a correctly-gapped spark plug in the cylinder head. Turn the 5/8 in. socket clockwise until snug.

If using a torque wrench torque to:

**110-120 in.·lb. (12.3-13.5 N·m)**

Do not over tighten.

## SPARK ARRESTOR MAINTENANCE

1. Remove the muffler cover. See *Rocker Arm Clearance*.
2. With a flat blade screwdriver or Torx T-20 bit and a T-25 bit, remove the screws attaching the spark arrestor diverter to the muffler (Fig. 41).

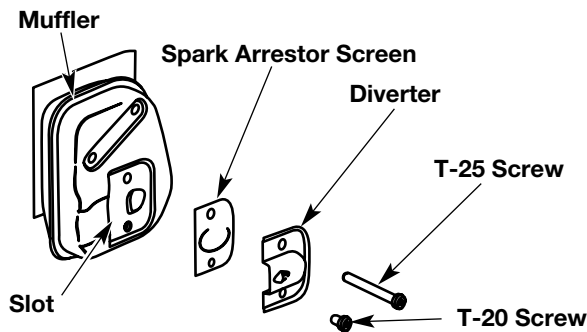


Fig. 41

3. Pull the tab on the spark arrestor cover out of the muffler. Remove the spark arrestor cover.
4. Remove the spark arrestor screen from the spark arrestor cover.
5. Clean the spark arrestor screen with a wire brush or replace it.
6. Reinstall the spark arrestor screen, spark arrestor cover and screw.

## CLEANING



**WARNING:** To avoid serious personal injury, always turn your unit off and allow it to cool before you clean or service it.

Use a small brush to clean off the outside of the unit. Do not use strong detergents. Household cleaners that contain aromatic oils such as pine and lemon, and solvents such as kerosene, can damage plastic housing or handle. Wipe off any moisture with a soft cloth.

## STORAGE

- Never store the unit with fuel in the tank where fumes may reach an open flame or spark.
- Allow the engine to cool before storing.
- Lock up the unit to prevent unauthorized use or damage.
- Store the unit in a dry, well-ventilated area.
- Store the unit out of the reach of children.

## LONG TERM STORAGE

1. Drain all gasoline from the gas tank into a container. Do not use gas that has been stored for more than 60 days. Dispose of the old gasoline in accordance to Federal, State, and Local regulations.
2. Start the engine and allow it to run until it stalls. This ensures that all gasoline has been drained from the carburetor.
3. Allow the engine to cool. Remove the spark plug and put 5 drops of high quality motor oil into the cylinder. Pull the starter rope slowly to distribute the oil. Reinstall the spark plug.

**NOTE:** Remove the spark plug and drain all of the oil from the cylinder before attempting to start the trimmer after storage.

4. Change the oil, referring to *Changing the Oil*. Dispose of the old oil in accordance to Federal, State and Local regulations.
5. Thoroughly clean the unit and inspect for any loose or damaged parts. Repair or replace damaged parts and tighten loose screws, nuts or bolts. The unit is ready for storage.

## TRANSPORTING

- Allow the engine to cool before transporting.
- Secure the unit while transporting.
- Drain the gas tank before transporting.
- Tighten gas cap before transporting.

## TROUBLESHOOTING

### ENGINE WILL NOT START

| CAUSE  | ACTION  |
|--|---|
| Empty fuel tank  | Fill fuel tank with fuel  |
| Primer bulb wasn't pressed enough  | Press primer bulb fully and slowly 10 times   |
| Old fuel   | Drain gas tank and add fresh fuel   |
| Fouled spark plug  | Replace or clean the spark plug   |
| Plugged spark arrestor   | Clean or replace spark arrestor   |
| When it is above 40°F outside & the Cold Weather Start Lever is in the CLOSED / START position | Flip the Cold Weather Start Lever to RUN / OPEN   |
| When it is below 40°F outside & the Cold Weather Start Lever is in the RUN / OPEN position     | Flip the Cold Weather Start Lever to CLOSED / START and follow the <i>Starting Instructions</i> |

### ENGINE WILL NOT IDLE

| CAUSE                          | ACTION  |
|--------------------------------|---|
| Air filter is plugged          | Replace or clean the air filter   |
| Old fuel                       | Drain gas tank and add fresh fuel   |
| Improper carburetor adjustment | Adjust according to the <i>Carburetor Adjustments</i> section or take to an authorized service dealer for an adjustment |

### ENGINE WILL NOT ACCELERATE

| CAUSE                               | ACTION  |
|-------------------------------------|---|
| Old fuel                            | Drain gas tank and add fresh fuel   |
| Improper carburetor adjustment      | Adjust according to the <i>Carburetor Adjustments</i> section or take to an authorized service dealer for an adjustment |
| Cutting attachment bound with grass | Stop the engine and clean the cutting attachment  |
| Dirty air filter                    | Clean or replace the air filter   |
| Plugged spark arrestor              | Clean or replace spark arrestor   |

### ENGINE LACKS POWER OR STALLS WHEN CUTTING

| CAUSE                          | ACTION  |
|--------------------------------|---|
| Old fuel                       | Drain gas tank and add fresh fuel   |
| Improper carburetor adjustment | Adjust according to the <i>Carburetor Adjustments</i> section or take to an authorized service dealer for an adjustment |
| Fouled spark plug              | Replace or clean the spark plug   |
| Plugged spark arrestor         | Clean or replace spark arrestor   |

**If further assistance is required, contact your authorized service dealer.**

## SPECIFICATIONS

### ENGINE\*

|                              |                                  |
|------------------------------|----------------------------------|
| Engine Type.....             | Air-Cooled, 4-Cycle              |
| Displacement.....            | 1.6 cu. in. (26.2 cc)            |
| Clutch Type .....            | Centrifugal                      |
| Operating RPM.....           | 6,800 - 9,300 rpm                |
| Idle Speed RPM .....         | 2,800 - 3,600 rpm                |
| Ignition Type.....           | Electronic                       |
| Ignition Switch .....        | Rocker Switch                    |
| Valve clearance .....        | 0.003–0.006 in. (0.076–0.152 mm) |
| Spark Plug Gap .....         | 0.025 inch (0.635 mm)            |
| Lubrication .....            | SAE 30 Oil                       |
| Crankcase Oil Capacity ..... | 3.04 oz (90 ml)                  |
| Fuel .....                   | Unleaded                         |
| Carburetor .....             | Diaphragm, All-Position          |
| Starter .....                | Auto Rewind                      |
| Muffler .....                | Baffled with Guard               |
| Throttle .....               | Manual Spring Return             |
| Fuel Tank Capacity .....     | 18 oz (532 ml)                   |

### DRIVE SHAFT AND CUTTING ATTACHMENT\*

|   |                                |
|---|--------------------------------|
| Drive Shaft Housing .....   | Steel Tube (Rapid-Link™)       |
| Throttle Control .....  | Finger-Tip Trigger             |
| Approximate Unit Weight (No fuel, with handle, shield and cutting attachment) | CC4125 ..... 11.7 lbs (6 kg)   |
|   | CC4175 ..... 14.5 lbs (6.5 kg) |
| Cutting Mechanism .....   | Fixed Line Cutting Head        |
| Line Spool Diameter: .....  | 3 inches (76.2 mm)             |
| Trimming Line Diameter: .....   | 0.105 inches (2.67 mm)         |
| Cutting Path Diameter .....   | 16 inches (406.4 mm)           |

\* All specifications are based on the latest product information available at the time of printing. We reserve the right to make changes at any time without notice.

# MANUFACTURER'S LIMITED WARRANTY FOR:



The limited warranty set forth below is given by Cub Cadet LLC with respect to new merchandise purchased and used in the United States, its possessions and territories.

Cub Cadet LLC warrants this product against defects in material and workmanship for a period of two (2) years commencing on the date of original purchase and will, at its option, repair or replace, free of charge, any part found to be defective in material or workmanship. This limited warranty shall only apply if this product has been operated and maintained in accordance with the Operator's Manual furnished with the product, and has not been subject to misuse, abuse, commercial use, neglect, accident, improper maintenance, alteration, vandalism, theft, fire, water or damage because of other peril or natural disaster. Damage resulting from the installation or use of any accessory or attachment not approved by Cub Cadet LLC for use with the product(s) covered by this manual will void your warranty as to any resulting damage. This warranty is limited to ninety (90) days from the date of original retail purchase for any Cub Cadet product that is used for rental or commercial purposes, or any other income-producing purpose.

**HOW TO OBTAIN SERVICE:** Warranty service is available, WITH PROOF OF PURCHASE THROUGH YOUR LOCAL AUTHORIZED SERVICE DEALER. To locate the dealer in your area, visit our website at [www.cubcadet.com](http://www.cubcadet.com), check for a listing in the Yellow Pages, call **1-877-282-8684** or write to P.O. Box 361131, Cleveland, OH 44136-0019.

**This limited warranty does not provide coverage in the following cases:**

- A. Tune-ups - Spark Plugs, Carburetor Adjustments, Filters
- B. Wear items - Bump Knobs, Outer Spools, Cutting Line, Inner Reels, Starter Pulley, Starter Ropes, Drive Belts
- C. Cub Cadet LLC does not extend any warranty for products sold or exported outside of the United States of America, its possessions and territories, except those sold through Cub Cadet's authorized channels of export distribution.

Cub Cadet LLC reserves the right to change or improve the design of any Cub Cadet Product without assuming any obligation to modify any product previously manufactured.

**No implied warranty, including any implied warranty of merchantability or fitness for a particular purpose, applies after the applicable period of express written warranty above as to the parts as identified. No other express warranty or guaranty, whether written or oral, except as mentioned above, given by any person or entity, including a dealer or retailer, with respect to any product shall bind Cub Cadet LLC During the period of the Warranty, the exclusive remedy is repair or replacement of the product as set forth above.** (Some states do not allow limitations on how long an implied warranty lasts, so the above limitation may not apply to you.)

**The provisions as set forth in this Warranty provide the sole and exclusive remedy arising from the sales. Cub Cadet LLC shall not be liable for incidental or consequential loss or damages including, without limitation, expenses incurred for substitute or replacement lawn care services, for transportation or for related expenses, or for rental expenses to temporarily replace a warranted product.** (Some states do not allow limitations on how long an implied warranty lasts, so the above limitation may not apply to you.)

In no event shall recovery of any kind be greater than the amount of the purchase price of the product sold. Alteration of the safety features of the product shall void this Warranty. You assume the risk and liability for loss, damage, or injury to you and your property and/or to others and their property arising out of the use or misuse or inability to use the product.

This limited warranty shall not extend to anyone other than the original purchaser, original lessee or the person for whom it was purchased as a gift.

**How State Law Relates to this Warranty:** This warranty gives you specific legal rights, and you may also have other rights which vary from state to state.

To locate your nearest service dealer dial **1-877-282-8684**.

**Cub Cadet LLC**

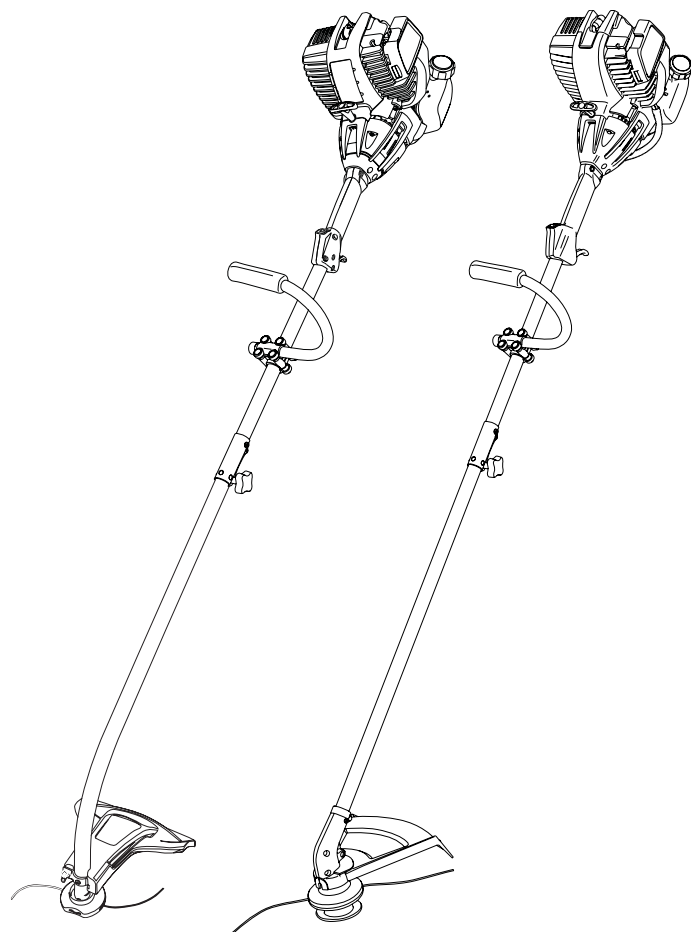
P.O. Box 361131

Cleveland, OH 44136-0019





# Manuel de l'utilisateur



Désherbeuse à gaz à 4-temps

**CC4125 / CC4175**

**CONSERVER CES INSTRUCTIONS**

Obtenez la liste des concessionnaires agréés appelez le **1-877-282-8684** aux États-Unis ou le **1-800-668-1238** au Canada. Pour de plus amples informations à propos de votre appareil, visitez [www.cubcadet.com](http://www.cubcadet.com).

**NE RETOURNEZ PAS L'APPAREIL AU DÉTAILLANT CHEZ QUI VOUS L'AVEZ ACHETÉ. TOUT SERVICE SOUS GARANTIE NÉCESSITE UNE PREUVE D'ACHAT.**

CE PRODUIT EST COUVERT PAR UN OU PLUSIEURS BREVETS AMÉRICAINS, ET D'AUTRES SONT EN INSTANCE.

Tout entretien effectué sur cet appareil pendant et après la période de garantie doit être fait par un concessionnaire agréé uniquement.

## PARE-ÉTINCELLES

**REMARQUE :** à l'intention des utilisateurs opérant dans les terres forestières des États-Unis et dans les états de Californie, du Maine, de l'Orégon et de Washington. Toutes les terres forestières des États-Unis et de l'état de Californie (Codes sur les ressources publiques 4442 et 4443), de l'Orégon et de Washington exigent de par la loi que certains moteurs à combustion interne utilisés dans des zones couvertes de taillis ou d'herbe soient équipés d'un pare-étincelles en parfait état de fonctionnement, ou qu'ils soient conçus, équipés et entretenus pour la prévention des incendies. Renseignez-vous auprès des autorités de votre province ou de votre municipalité concernant la réglementation en vigueur. Vous pourriez être passible d'une amende ou être tenu responsable si vous ne respectez pas cette réglementation. Cet appareil est équipé d'un pare-étincelles en usine. **Si l'écran pare-étincelles, réf. 753-05297, doit être remplacé,** communiquez avec le service technique.

## AVERTISSEMENT DE LA PROPOSITION 65 DE CALIFORNIE

AVERTISSEMENT

**LES GAZ D'ÉCHAPPEMENT DU MOTEUR DE CET APPAREIL CONTIENNENT DES PRODUITS CHIMIQUES CONSIDÉRÉS PAR L'ÉTAT DE CALIFORNIE COMME POUVANT CAUSER LE CANCER, DES MALFORMATIONS CONGÉNITALES OU D'AUTRES EFFETS NOCIFS SUR L'APPAREIL DE REPRODUCTION.**

Toutes les informations, illustrations et spécifications contenues dans ce manuel tiennent compte des dernières informations techniques disponibles au moment de mettre sous presse. Nous nous réservons le droit d'y apporter des modifications à tout moment, sans préavis.

Copyright© 2006 MTD SOUTHWEST INC., Tous droits réservés.

## TABLE DES MATIÈRES

|  |     |
|--|-----|
| Service technique .....                        | F1  |
| Consignes de sécurité .....                    | F2  |
| Familiarisez-vous avec votre appareil .....    | F3  |
| Instructions de montage .....                  | F4  |
| Informations sur l'huile et le carburant ..... | F5  |
| Instructions de démarrage et d'arrêt .....     | F6  |
| Mode d'emploi .....                            | F7  |
| Entretien et réparations .....                 | F8  |
| Nettoyage et entreposage .....                 | F13 |
| Tableau de dépannage .....                     | F14 |
| Caractéristiques .....                         | F15 |
| Garantie .....                                 | F16 |



**AVERTISSEMENT:** Lorsque vous utilisez la machine, vous devez suivre les consignes de sécurité. Veuillez lire ces instructions avant d'opérer la machine pour vous assurer de la sécurité de l'opérateur et de tout spectateur. Veuillez conserver ces instructions pour un usage ultérieur.

## • IMPORTANTES CONSIGNES DE SÉCURITÉ •

### LIRE TOUTES LES INSTRUCTIONS AVANT UTILISATION

- Veuillez lire les instructions avec soin. Familiarisez-vous avec les commandes et l'utilisation correcte de cet appareil.
- N'utilisez pas l'appareil si vous êtes fatigué, malade ou sous l'effet de l'alcool, de drogues ou de médicaments.
- Les enfants et adolescents de moins de 15 ans ne doivent pas utiliser l'appareil exceptés les adolescents assistés d'un adulte.
- Inspectez l'appareil avant utilisation. Remplacez les pièces endommagées. Regardez s'il y a des fuites de carburant. Assurez-vous que les fixations sont solidement en place. Remplacez les pièces de l'accessoire de coupe qui sont fendillées, ébréchées ou endommagées. Assurez-vous que l'accessoire de coupe est correctement installé et solidement fixé. Assurez-vous que le protecteur d'accessoire de coupe est correctement fixé et positionné comme recommandé. Vous risquez sinon de causer des blessures à l'opérateur et aux spectateurs, et d'endommager l'appareil.
- N'utilisez que du fil de remplacement d'origine du fabricant de 2,67 mm (0,105 po) de diamètre. N'utilisez jamais de fil, de chaîne ou de cordon à renfort métallique car ils peuvent se briser et se transformer en projectile dangereux.
- Soyez conscient des risques de blessure à la tête, aux mains et aux pieds.
- Dégagez la zone de coupe avant chaque usage. Enlevez tous les objets pouvant être projetés ou happés par l'accessoire de coupe : cailloux, verre brisé, clous, fil ou ficelle. Éloignez enfants, spectateurs et animaux de la zone de coupe. Tenez-les à au moins 15 m (50 pi) de là mais sachez que les spectateurs risquent quand même d'être atteints par des objets projetés. Les spectateurs doivent porter des protections oculaires. Arrêtez immédiatement le moteur et l'accessoire de coupe si quelqu'un s'approche de vous.

### AVERTISSEMENTS DE SÉCURITÉ CONCERNANT LES DÉSHERBEUSES À GAZ

- Ne stockez le carburant que dans des contenants spécialement conçus et homologués pour le stockage de ce type de matières.



**AVERTISSEMENT:** l'essence est extrêmement inflammable et ses vapeurs peuvent exploser si on y met le feu. Veuillez prendre les précautions suivantes.

- Arrêtez toujours le moteur et laissez-le refroidir avant de remplir le réservoir de carburant. N'enlevez jamais le bouchon du réservoir et n'ajoutez jamais de carburant pendant que le moteur est chaud. Ne faites jamais fonctionner l'appareil sans que le bouchon de carburant soit bien mis. Desserrez lentement le bouchon afin de réduire la pression du réservoir.
- Évitez de créer une source d'allumage pour le carburant déversé. Ne démarrez pas le moteur avant que les vapeurs de carburant ne se soient dissipées.
- Ajoutez le carburant dans un endroit bien aéré et propre en plein air à l'abri des étincelles ou des flammes. N'enlevez lentement le bouchon du réservoir d'essence qu'après avoir arrêté le moteur. Ne fumez pas pendant le remplissage de carburant. Essuyez immédiatement tout déversement de carburant de l'appareil.
- Éloignez l'appareil d'au moins 9.1 m (30 pi) de la source de ravitaillement en carburant avant de démarrer le moteur. Ne fumez pas et éloignez toute source d'étincelles ou de flammes vives du lieu de ravitaillement ou de fonctionnement de l'appareil.

### PENDANT L'UTILISATION DE L'APPAREIL

- Évitez de démarrer ou de faire marcher l'appareil à l'intérieur d'une pièce ou d'un bâtiment fermé. La respiration de fumées d'échappement peut tuer. Ne faites fonctionner cet appareil qu'à l'extérieur dans un endroit bien aéré.
- Portez des lunettes de sécurité conformes aux normes ANSI Z87.1 ainsi que des protège-oreilles durant l'utilisation de l'appareil. Portez un masque facial ou antipoussières si vous travaillez dans un lieu poussiéreux.
- Portez des pantalons épais et longs, des bottes, des gants et une chemise à manches longues. Ne marchez pas pieds nus et évitez les vêtements lâches, bijoux, pantalons courts et sandales. Relevez les cheveux au-dessus des épaules.

- Le protecteur d'accessoire de coupe doit toujours être en place lors de l'utilisation de l'appareil. Ne faites pas marcher l'appareil sans que les deux fils soient bien déployés, en supposant qu'un fil approprié a été installé. Assurez-vous que le fil ne dépasse pas le protecteur de sécurité.
- Cet appareil est muni d'un embrayage. L'accessoire de coupe reste stationnaire lorsque le moteur est au ralenti. Si ce n'est pas le cas, faites régler l'appareil par un technicien agréé.
- Ajustez la poignée selon votre taille pour mieux l'agripper.
- N'utilisez l'appareil qu'en plein jour ou avec un bon éclairage artificiel.
- Évitez tout démarrage accidentel. Mettez-vous en position de démarrage chaque fois que vous tirez sur la corde de démarrage. L'opérateur et l'appareil doivent tous deux être en position stable à ce moment-là. Voir les Instructions de démarrage et d'arrêt.
- Ne vous étirez pas. Tenez-vous toujours bien sur vos pieds en position d'équilibre.
- Tenez toujours l'appareil des deux mains lorsque vous le faites marcher. Agrippez fermement les poignées avant et arrière.
- Gardez les mains, le visage et les pieds éloignés des pièces mobiles. Ne touchez pas et n'essayez pas d'arrêter l'accessoire de coupe en rotation.
- Ne touchez pas le moteur, le boîtier d'engrenages ni le silencieux. Ces pièces deviennent très chaudes à l'utilisation. Elles restent chaudes brièvement après l'arrêt.
- Servez-vous des outils appropriés. N'utilisez cet outil que pour son usage prévu.
- Ne faites pas fonctionner le moteur à un régime plus élevé que nécessaire pour couper, tailler ou faire les bordures. Ne faites pas tourner le moteur à haut régime si vous ne vous faites pas de coupe.
- Arrêtez toujours le moteur lorsque vous suspendez la coupe ou lorsque vous vous déplacez d'un lieu de travail vers un autre.
- Si vous heurtez un corps étranger ou que celui-ci est happé, arrêtez le moteur immédiatement et vérifiez que rien n'a été endommagé. Ne faites pas fonctionner avant réparation des dommages. Ne faites pas marcher l'appareil si les pièces sont desserrées ou endommagées.
- Arrêtez et éteignez le moteur dans les cas suivants: entretien, réparation ou changement d'accessoires ou autres.
- N'utilisez que des pièces de équipement original recharge et accessoires d'origine du fabricant pour cet appareil. Elles sont disponibles auprès de votre concessionnaire agréé. L'utilisation de pièces ou accessoires autres que ceux de équipement original peut causer des blessures graves, endommager l'appareil et annuler sa garantie.
- Gardez l'appareil exempt d'accumulation de végétation ou autres matières. Celles-ci peuvent rester logées entre l'accessoire de coupe et le protecteur.
- Afin de diminuer les risques d'incendie, remplacez tout silencieux ou pare-étincelles défectueux et conservez le moteur et le silencieux exempts d'herbe, de feuilles et d'accumulation excessive de graisse ou de carbone.

### AUTRES AVERTISSEMENTS DE SÉCURITÉ

- N'entreposez jamais l'appareil rempli de carburant dans un édifice où les vapeurs peuvent atteindre une source de flammes vives ou d'étincelles.
- Laissez le moteur se refroidir avant de l'entreposer ou de le transporter. Attachez bien l'appareil pendant le transport.
- Rangez l'appareil dans un endroit verrouillé et sec, ou élevé et sec, hors de portée des enfants, pour éviter une utilisation indésirable ou un accident.
- Ne trempez et n'arrosez jamais l'appareil avec de l'eau ou tout autre liquide. Gardez les poignées sèches, propres et exemptes de débris. Nettoyez après chaque usage. Voir les sections *Nettoyage* et *Entreposage*.
- Conservez ces instructions. Consultez-les souvent et servez-vous en pour instruire d'autres usagers. Si vous prêtez l'appareil à quelqu'un, prêtez-lui également ces instructions.

## CONSERVER CES INSTRUCTIONS

## CONSIGNES DE SÉCURITÉ

### SYMBOLES DE SÉCURITÉ ET INTERNATIONAUX

Ce manuel de l'utilisateur décrit les symboles et pictogrammes de sécurité et internationaux pouvant apparaître sur ce produit. Consultez le manuel de l'utilisateur pour les informations concernant la sécurité, le montage, le fonctionnement, l'entretien et les réparations.

| SYMBOLE | SIGNIFICATION  | SYMBOLE | SIGNIFICATION   |
|---------|--|---------|---|
|         | <ul style="list-style-type: none"> <li>• <b>SYMBOLE ALERTE DE SÉCURITÉ</b><br/>Indique un danger, un avertissement ou une mise en garde. Ce symbole peut être combiné à d'autres symboles ou pictogrammes.</li> </ul>  |         | <ul style="list-style-type: none"> <li>• <b>COMMANDE MARCHÉ/ARRÊT</b><br/>ALLUMAGE / DÉMARRAGE / MARCHÉ</li> </ul>  |
|         | <ul style="list-style-type: none"> <li>• <b>LISEZ LE MANUEL DE L'UTILISATEUR</b><br/><b>AVERTISSEMENT</b> - Lisez le manuel de l'utilisateur et suivez tous les avertissements et consignes de sécurité. Vous pourriez à défaut entraîner des blessures graves pour vous ou d'autres personnes.</li> </ul> |         | <ul style="list-style-type: none"> <li>• <b>COMMANDE MARCHÉ/ARRÊT</b><br/>ARRÊT ou STOP</li> </ul>  |
|         | <ul style="list-style-type: none"> <li>• <b>PORTEZ DES PROTECTIONS (YEUX ET OREILLES)</b><br/><b>AVERTISSEMENT:</b> les objets projetés et les bruits forts peuvent endommager la vue et l'ouïe. Portez une visière de norme ANSI Z87.1-1989 et des protège-oreilles pendant l'utilisation.</li> </ul>     |         | <ul style="list-style-type: none"> <li>• <b>ÉLOIGNEZ LES SPECTATEURS</b><br/><b>AVERTISSEMENT:</b> éloignez tout spectateur, les enfants et les animaux domestiques en particulier, d'au moins 15 m (50 pi) de la zone de coupe.</li> </ul>   |
|         | <ul style="list-style-type: none"> <li>• <b>POMPE D'AMORÇAGE</b><br/>Appuyez 10 fois, lentement et à fond, sur la pompe d'amorçage.</li> </ul>   |         | <ul style="list-style-type: none"> <li>• <b>AVERTISSEMENT SURFACE CHAUDE</b><br/>Ne touchez pas un silencieux ou un cylindre chaud. Vous pourriez vous brûler. Ces pièces deviennent très chaudes à l'utilisation. Elles restent chaudes brièvement après l'arrêt.</li> </ul>               |
|         | <ul style="list-style-type: none"> <li>• <b>CARBURANT SANS PLOMB</b><br/>Utilisez toujours du carburant sans plomb frais et propre.</li> </ul>   |         | <ul style="list-style-type: none"> <li>• <b>LAME AIGUISÉE</b><br/><b>AVERTISSEMENT:</b> le protecteur d'accessoire de coupe comporte une lame aiguisée. Ne touchez pas la lame pour éviter des blessures graves.</li> </ul>   |
|         | <ul style="list-style-type: none"> <li>• <b>NIVEAU D'HUILE</b><br/>Voir le manuel de l'utilisateur pour le type d'huile approprié.</li> </ul>  |         | <ul style="list-style-type: none"> <li>• <b>LES OBJETS PROJETÉS ET LA TÊTE ROTATIVE PEUVENT CAUSER DES BLESSURES GRAVES</b><br/><b>AVERTISSEMENT:</b> ne faites pas fonctionner sans protecteur de sécurité en plastique. Tenez-vous à l'écart de l'accessoire de coupe rotatif.</li> </ul> |

### FAMILIARISEZ-VOUS AVEC L'APPAREIL

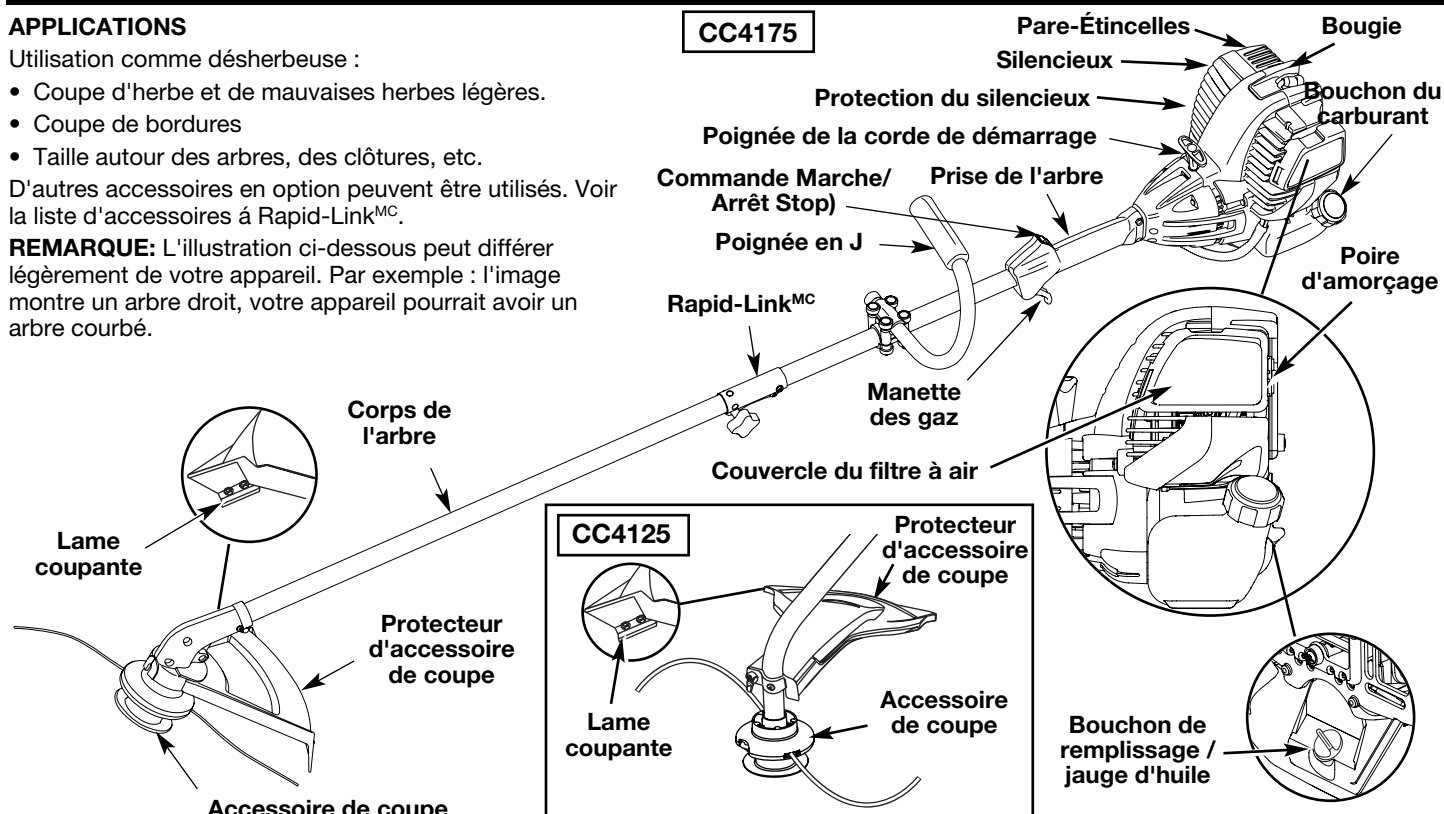
#### APPLICATIONS

Utilisation comme désherbeuse :

- Coupe d'herbe et de mauvaises herbes légères.
- Coupe de bordures
- Taille autour des arbres, des clôtures, etc.

D'autres accessoires en option peuvent être utilisés. Voir la liste d'accessoires à Rapid-Link<sup>MC</sup>.

**REMARQUE:** L'illustration ci-dessous peut différer légèrement de votre appareil. Par exemple : l'image montre un arbre droit, votre appareil pourrait avoir un arbre courbé.



## INSTALLATION DU PROTECTEUR D'ACCESSOIRE DE COUPE

Suivez les instructions suivantes si le protecteur d'accessoire de coupe n'est pas installé sur l'appareil.



**AVERTISSEMENT :** n'utilisez jamais la désherbeuse sans protecteur d'accessoire de coupe pour éviter des blessures graves.

### CC4125

1. Placez l'écran de l'accessoire de coupe sur le logement de l'arbre. Veillez à ce que la patte d'attache de l'écran glisse dans l'encoche au bord de l'écran de coupe. Tournez l'écran dans le sens contraire des aiguilles d'une montre (Fig. 1) pour le mettre en place. Les trous dans la patte d'attache de l'écran et l'accessoire de coupe s'aligneront.

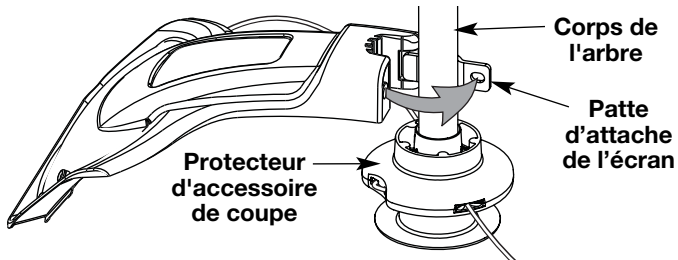


Fig. 1

2. De l'intérieur de l'écran de l'accessoire de coupe, poussez le boulon carré dans le trou jusqu'à ce que l'extrémité fileté dépasse de la patte d'attache de l'écran (Fig. 2).

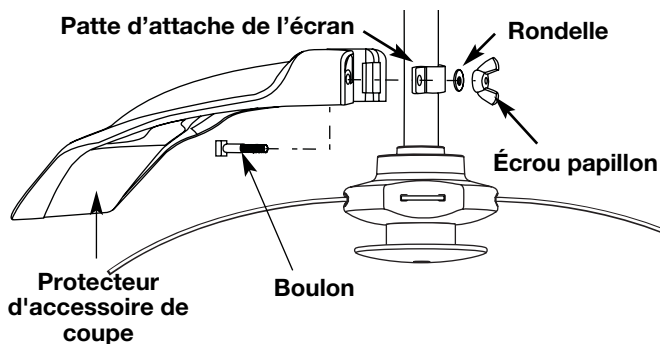


Fig. 2

3. Mettez la rondelle sur le boulon, puis vissez l'écrou à oreilles et serrez. La figure 3 montre le processus d'installation vu d'en dessous de l'appareil.

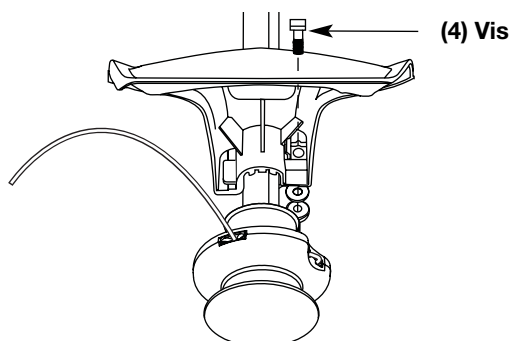


Fig. 3

### CC4175

1. Glissez le protecteur d'accessoire de coupe dans son support, situé sur l'accessoire. Alignez les trous à vis du protecteur avec ceux de l'accessoire de coupe (Fig. 4).
2. Placez un de trois fournis écrous de blocage hex dans l'un des trois trous encastré, sur le dessus du protecteur d'accessoire de coupe (Fig. 5).
3. Introduisez une vis dans le trou du bas du protecteur d'accessoire de coupe. Vissez-la dans l'écrou posé à l'étape 2 (Fig. 5). Évitez de serrer.

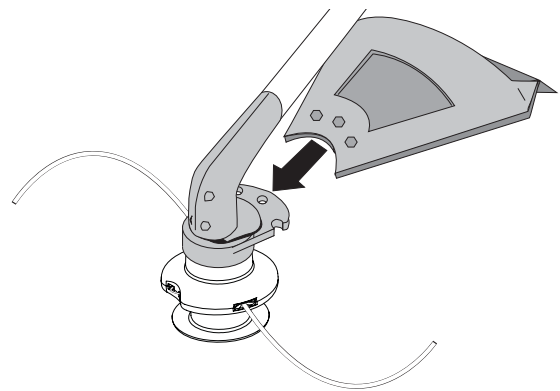


Fig. 4

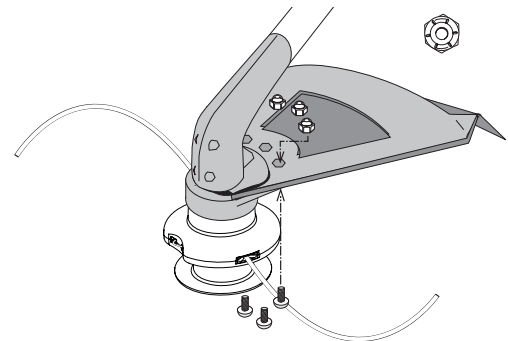


Fig. 5

4. Répétez les étapes 2 et 3 jusqu'à ce que les trois vis soient bien posées. Serrez toutes les vis solidement avec un tournevis à embout cruciforme.

## INSTALLATION ET RÉGLAGE DE LA POIGNÉE EN J

1. Dévissez les vis.
2. Glissez la poignée en J en un mouvement de va-et-vient jusqu'à ce que la flèche/ligne blanche de l'autocollant touche la bride (Fig. 6).

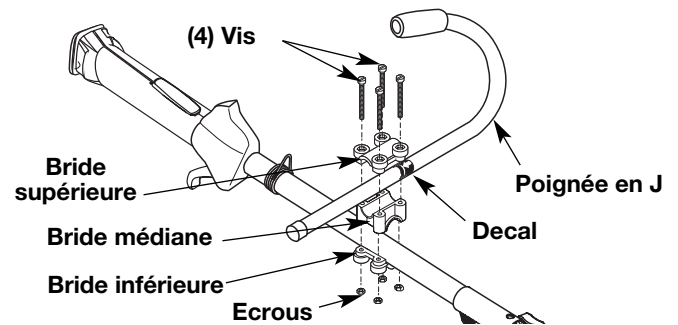


Fig. 6

3. Tenez l'appareil en position d'utilisation (Fig. 18), puis positionnez la poignée en J de manière à assurer une prise idéale.
4. Serrez les vis des brides uniformément jusqu'à bien fixer la poignée.



**WARNING:** LE REMPLISSAGE EXCESSIF DU CARTER-MOTEUR PEUT ANTRAÎNER DES BLESSURES GRAVES. Nous ne saurions trop insister sur l'importance de la vérification du niveau d'huile du carter-moteur et de son maintien. Vérifiez l'huile avant chaque utilisation et changez-la au besoin tel qu'indiqué dans la section *Changement d'huile*.

## TYPE D'HUILE RECOMMANDÉ

Il est extrêmement important d'utiliser les bons type et indice d'huile dans le carter-moteur. Vérifiez l'huile avant chaque utilisation et changez-la périodiquement. Le fait de ne pas utiliser la bonne huile ou d'utiliser une huile sale peut entraîner une usure et une défaillance.

## INFORMATIONS SUR L'HUILE ET LE CARBURANT

prématurées du moteur. Utilisez une huile de haute qualité à indice SAE 30 API (American Petroleum Institute) de type SG, SF, SH.

### AJOUT D'HUILE AU CARTER: MISE EN SERVICE

**REMARQUE :** cet appareil est livré sans huile. Pour éviter d'endommager l'appareil, mettez de l'huile dans le carter moteur avant le démarrage.

Votre appareil est livré avec une bouteille d'huile SAE 30 SF, SG, SH de 90 ml (3,04 oz) (Fig. 7).

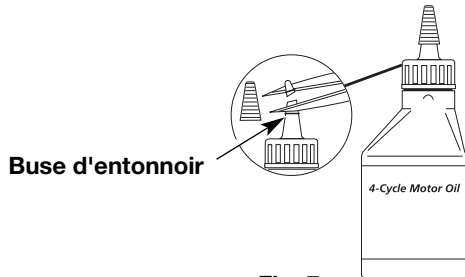


Fig. 7

**REMARQUE :** conservez la bouteille pour mesurer correctement la quantité nécessaire d'huile plus tard. Voir *Changement d'huile*.

1. Dévisser le bouchon de la bouteille d'huile et retirez le papier couvrant l'ouverture. Remplacez le bouchon. Coupez la pointe de la buse de l'entonnoir (Fig. 7).
2. Placez l'appareil sur une surface horizontale plane (Fig. 8).

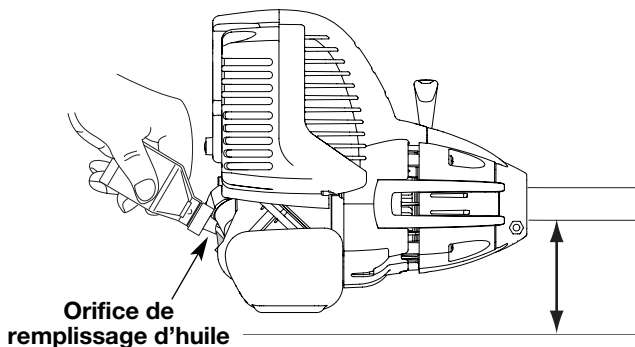


Fig. 8

3. Retirez le bouchon / la jauge d'huile du carter-moteur.

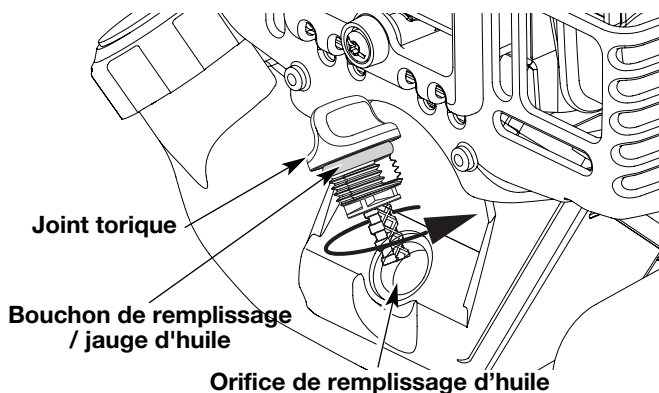


Fig. 9

4. Versez tout le contenu de la bouteille d'huile dans le carter-moteur (Fig. 8).
5. Essayez toute trace d'huile déversée et remplacez le bouchon de remplissage / la jauge.

**REMARQUE :** n'ajoutez jamais d'huile au carburant ni au réservoir de carburant.

Nous ne saurions trop insister sur l'importance de la vérification du niveau d'huile du carter-moteur et de son maintien. Vérifiez l'huile avant chaque utilisation et changez-la au besoin tel qu'indiqué dans la section *Changement d'huile*.

### TYPE DE CARBURANT RECOMMANDÉ

En général, si l'appareil ne fonctionne pas correctement, c'est que le carburant est vieux ou mal mélangé. Prenez soin d'utiliser du carburant sans plomb frais et propre.

**REMARQUE :** ceci est un moteur à quatre temps. Pour éviter d'endommager l'appareil, **ne mélangez pas l'huile avec l'essence.**

### Définition des carburants mélangés

Les carburants d'aujourd'hui sont souvent un mélange d'essence et d'oxygénés comme l'éthanol, le méthanol ou l'éther MTBE. Un carburant mélangé à l'alcool absorbe l'eau. Il suffit de 1% d'eau pour séparer le carburant et l'huile, ce qui forme de l'acide pendant l'entreposage. Si vous devez utiliser ce type de carburant, servez-vous de carburant frais (moins de 60 jours).

### Usage de carburants mélangés

Si vous choisissez d'utiliser ou ne pouvez éviter d'utiliser un carburant mélangé, suivez les conseils suivants :

- Utilisez toujours un mélange de carburant frais selon le manuel de l'utilisateur.
- Utilisez l'additif STA-BIL<sup>MD</sup> ou un produit équivalent.
- Agitez toujours le mélange de carburant avant d'alimenter l'appareil.
- Videz le réservoir et faites marcher le moteur jusqu'à ce qu'il soit à sec avant d'entreposer l'appareil.

### Utilisation d'additifs de carburant

L'utilisation d'additifs de carburant tel que le stabilisant d'essence STA-BIL<sup>MD</sup> ou un produit équivalent permet d'empêcher la corrosion et de minimiser la formation de résidus de gomme. L'usage d'additifs peut empêcher le carburant de former des dépôts nocifs dans le carburateur pendant six (6) mois maximum. Ajoutez 23 ml (0,8 oz) d'additif par 4 litres (1 gallon) de carburant selon les instructions du récipient. N'ajoutez JAMAIS d'additifs directement dans le réservoir de l'appareil.

### AJOUT DE CARBURANT



**AVERTISSEMENT :** L'essence est extrêmement inflammable et les vapeurs qui s'en dégagent peuvent exploser si on y met le feu. Arrêtez toujours le moteur et laissez-le refroidir avant de remplir le réservoir. Ne fumez pas en remplissant le réservoir. Éloignez toute source d'étincelles ou de flammes vives de la zone.

1. Déposez le bouchon à essence (Fig. 10).



**AVERTISSEMENT :** Enlevez le bouchon du réservoir lentement pour ne pas être blessé par les jets d'essence. Ne faites pas marcher l'appareil sans que le bouchon soit bien mis.

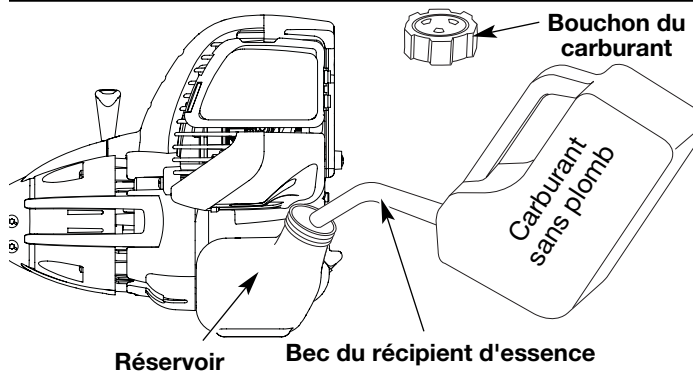


Fig. 10

2. Placez le bec du récipient d'essence dans l'orifice du réservoir (Fig. 10) et remplissez celui-ci.



**AVERTISSEMENT :** Ajoutez du carburant dans un lieu propre et bien aéré en plein air. Essayez immédiatement tout déversement de carburant. Évitez de mettre le feu au carburant déversé. Ne démarrez pas le moteur avant dissipation des vapeurs de carburant.

**REMARQUE :** Ne remplissez pas trop le réservoir.

3. Essayez tout déversement d'essence.
4. Remettez le bouchon du réservoir.
5. Éloignez l'appareil d'au moins 9,1 m (30 pi) de la source et du site de ravitaillement en carburant avant de démarrer le moteur.

**REMARQUE :** Éliminez le vieux carburant conformément aux règlements fédéral, provincial et municipal en vigueur.

## INSTRUCTIONS DE DÉMARRAGE ET ARRÊT



**AVERTISSEMENT :** n'utiliser l'outil qu'à l'extérieur, dans un endroit bien aéré. Les émanations d'oxyde de carbone dans un endroit confiné peuvent être mortelles.



**AVERTISSEMENT :** évitez tout démarrage accidentel. Tenez-vous en position de démarrage lorsque vous tirez sur la corde de démarrage (Fig. 13). L'opérateur et l'appareil doivent tous deux être en position stable pour éviter des blessures graves.

Vérifiez la bonne installation de l'accessoire avant le démarrage de l'appareil.

### INSTRUCTIONS DE DÉMARRAGE

1. Vérifiez le niveau d'huile dans le carter moteur. Voir *Vérification du niveau d'huile*.
2. Remplissez le réservoir d'essence sans plomb propre et frais. Voir *Ajout de Carburant*.

**REMARQUE :** Il n'est pas nécessaire de faire démarrer la machine. La commande On/Off (Arrêt/Marche) est en position ON (I) en permanence (Fig. 11).

**SI FROID...** Par temps froid (sous 4°C/ 40°F), mettez le levier de démarrage à froid (Fig. 14) en position fermé et passez à l'étape 3. N'abaissez PAS ce levier si la température dépasse 4°C (40°F).

3. Pressez et relâchez la poire d'amorçage à 10 reprises, lentement. Une certaine quantité de **carburant devrait être visible dans la poire d'amorçage** et les conduites de carburant (Fig. 12). Si vous n'apercevez pas de carburant dans la poire, pressez et relâchez la poire autant de fois que nécessaire jusqu'à ce que vous aperceviez du carburant dans cette dernière.

4. Levez-vous en position de départ et **n'appuyez pas sur la manette des gaz** (Fig. 13). Tirez sèchement sur le cordon de démarrage jusqu'à 5 à 10 fois.

**SI FROID...** Par temps froid (sous 4°C/ 40°F), faites pivoter le levier de démarrage par temps froid en position ouvert.

5. Appuyez sur la manette des gaz pendant 15 à 30 secondes pour réchauffer le moteur. Par temps froid, laissez chauffer le moteur pendant 30 à 60 secondes.

**SI...** Le moteur ne démarre pas, répétez à partir du point 3.

**SI...** Le moteur s'arrête pendant que vous appuyez sur la manette des gaz, répétez à partir du point 4.

### INSTRUCTIONS D'ARRÊT

1. Relâchez la manette des gaz. Laissez le moteur refroidir au ralenti.
2. Mettez la commande Marche/Arrêt Stop en position ARRÊT (O).

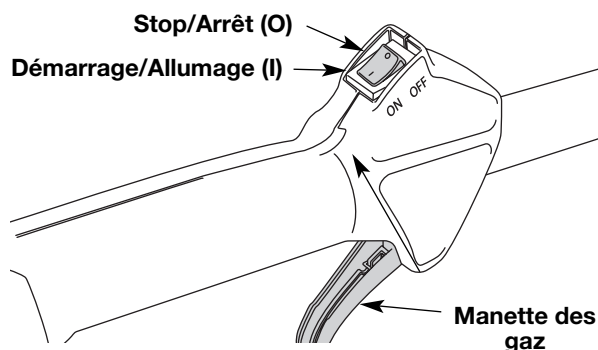


Fig. 11

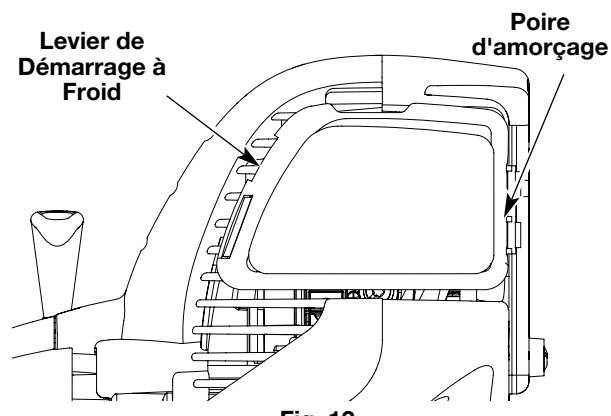


Fig. 12

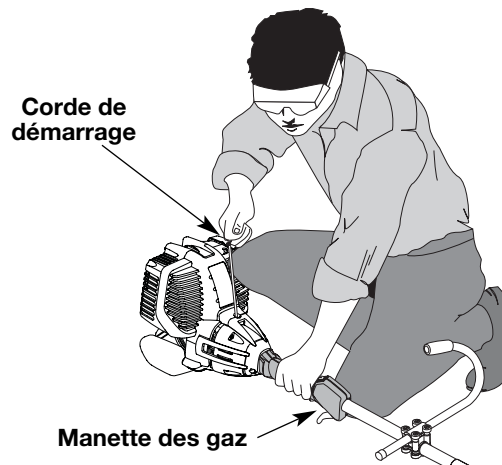


Fig. 13

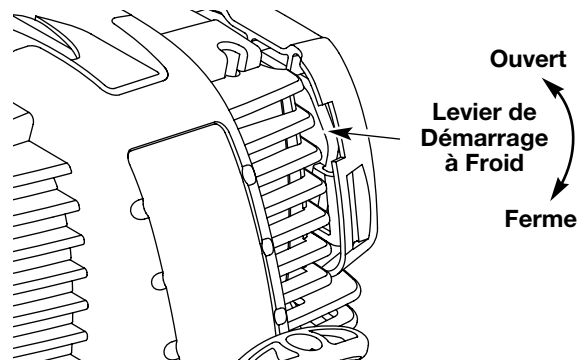


Fig. 14

**FONCTIONNEMENT DU RAPID-LINK<sup>MC</sup>**

Le système Rapid-Link<sup>MC</sup> permet d'utiliser ces accessoires optionnels :

Soufflante/Désherbeuse .....CCBT\*

\* **NE PAS utiliser cet accessoire avec un produit alimenté à l'électricité.**

**Retrait de l'accessoire de coupe ou autre**

- |  |  |
|--|--|
|  | <b>AVERTISSEMENT :</b> Avant d'utiliser tout accessoire, veuillez lire et comprendre le manuel accompagnant l'accessoire. Suivez toutes les informations relatives à la sécurité qui y figurent. |
|  | <b>AVERTISSEMENT :</b> pour éviter des blessures graves, éteignez l'appareil avant d'enlever ou d'installer des accessoires.   |

1. Dévissez le bouton vers la gauche (Fig. 24).
2. Appuyez sur le bouton de déclenchement et maintenez-le enfoncé (Fig. 24).
3. Tenez fermement le corps de l'arbre supérieur et retirez l'accessoire de coupe ou autre du coupleur Rapid-Link<sup>MC</sup> (Fig. 16).

**Installation de l'accessoire de coupe ou autre**

**NOTE :** pour faciliter l'installation ou le retrait d'accessoires, placez l'appareil au sol ou sur un établi.

1. Dévissez le bouton vers la gauche (Fig. 15).

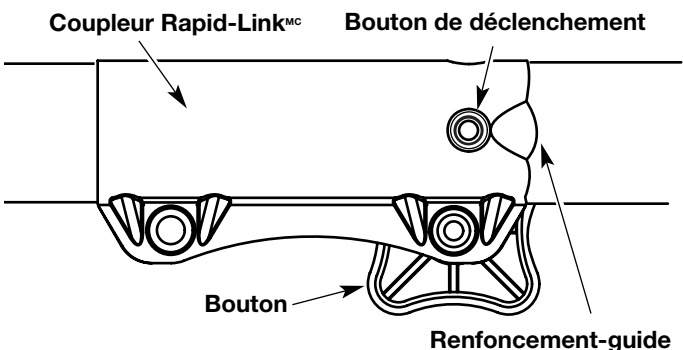


Fig. 15

2. Tenez fermement l'accessoire et enfoncez-le tout droit dans le coupleur Rapid-Link<sup>MC</sup> (Fig. 16).

**NOTE :** aligner le bouton de déclenchement avec le renforcement-guide facilitera l'installation (Fig. 15).

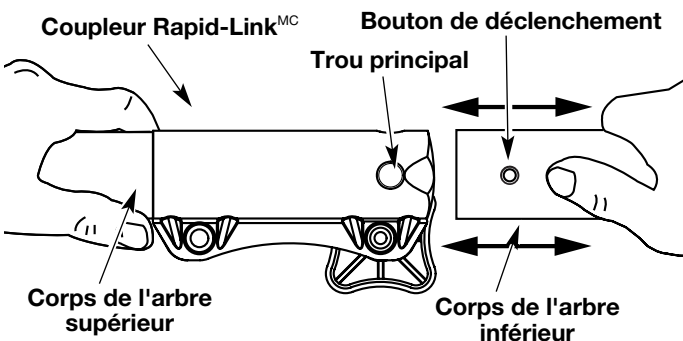


Fig. 16

3. Serrez le bouton en le tournant à droite (Fig. 17).

- |  |  |
|--|--|
|  | <b>MISE EN GARDE :</b> verrouillez le bouton de déclenchement dans le trou principal et vissez bien le bouton avant de faire marcher l'appareil. |
|--|--|

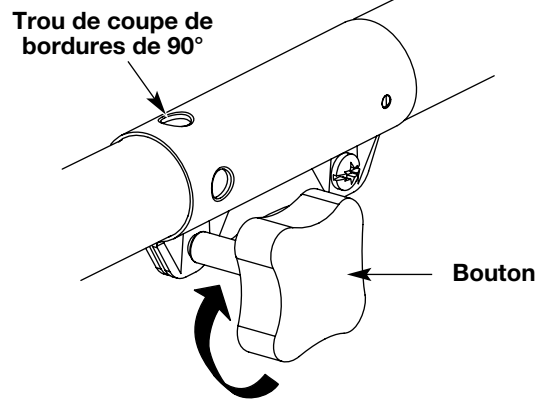


Fig. 17

- |  |   |
|--|---|
|  | <b>MISE EN GARDE :</b> l'accessoire de coupe et autres ajouts du système Rapid-Link <sup>MD</sup> doivent utiliser le trou principal sauf indication contraire de leurs manuels. L'utilisation du mauvais trou pourrait causer des blessures graves ou endommager l'appareil. |
|--|---|

Pour couper les bordures à l'aide de la tête d'accessoire de coupe sur les modèle Rapid-Link<sup>MC</sup>, verrouillez le bouton de déclenchement de l'accessoire de coupe dans le **trou de 90°** (Fig. 17).

**TENUE DE LA DÉSHERBEUSE**

- |  |  |
|--|--|
|  | <b>AVERTISSEMENT :</b> portez toujours des protections (yeux, oreilles, pieds et corps) pour diminuer les risques de blessures durant l'utilisation de l'appareil. |
|--|--|

Avant de faire marcher l'appareil, tenez-vous en position de fonctionnement (Fig. 18). Vérifiez les points suivants:

- L'opérateur porte une visière et des vêtements appropriés.
- Le bras droit est légèrement plié et la main tient l'arbre par sa prise.
- Le bras gauche est droit et la main tient la poignée.
- L'appareil est au-dessous de la ceinture.
- L'accessoire de coupe est parallèle au sol et touche facilement la végétation sans que l'opérateur ne doive se pencher.

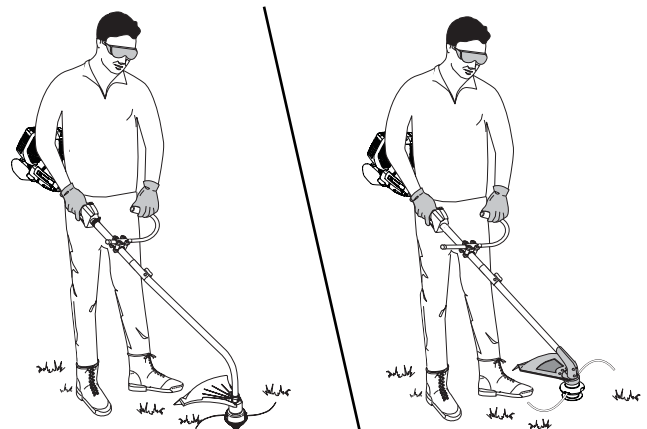


Fig. 18

**CONSEILS POUR BIEN DÉSHERBER**

- Pour meilleurs les résultats qui taillent, opérer l'unité à plein étrangle.
- Le bon angle pour l'accessoire de coupe est parallèle au sol.
- Ne forcez pas l'accessoire. Coupez avec la pointe du fil (surtout le long des murs). Utiliser plus que la pointe diminuée

## MODE D'EMPLOI

l'efficacité de la coupe et peut surcharger le moteur.

- Coupez l'herbe de plus de 200 mm (8 po) en procédant de haut en bas par petits incréments pour éviter d'user le fil prématurément ou de freiner le moteur.
- La Coupe de la droite pour partir.
- Déplacez lentement la désherbeuse dans et hors de la zone de coupe à la hauteur voulue. Procédez d'avant en arrière ou d'un côté à l'autre. Les coupes de longueur plus courte donnent les meilleurs résultats.
- Ne désherbez que lorsque l'herbe et les mauvaises herbes sont sèches.
- La durée de vie de votre fil de coupe dépend
  - de l'application des techniques de coupe précédentes
  - du type de végétation à couper
  - du lieu de coupe

Par exemple, le fil s'use plus vite si vous coupez le long d'un mur de fondation que si vous coupez autour d'un arbre.

### COUPE DÉCORATIVE

La coupe décorative consiste à déblayer la végétation autour des arbres, des bornes, des clôtures, etc. Tournez entièrement l'appareil de manière à ce que l'accessoire de coupe soit à un angle de 30° par rapport au sol (Fig. 19).

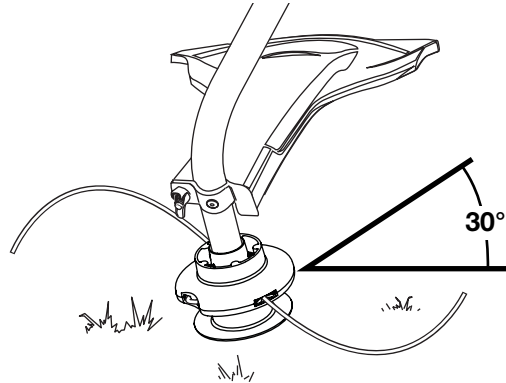


Fig. 19

## ENTRETIEN ET RÉPARATIONS

### PROGRAMME D'ENTRETIEN

L'entretien doit respecter la fréquence indiquée dans le tableau ci-dessous. Il doit également faire partie de toute mise au point saisonnière.

**REMARQUE :** certaines procédures d'entretien nécessitent des compétences ou des outils particuliers. Si vous n'êtes pas sûr de pouvoir les entreprendre, emmenez votre appareil dans un atelier, chez un technicien ou un concessionnaire agréé spécialisé dans les réparations de moteurs d'outils mécaniques de plein air.

**REMARQUE :** l'entretien, le remplacement ou la réparation des dispositifs et systèmes antipollution peuvent être effectués par tout atelier, technicien ou concessionnaire agréé spécialisé dans les réparations de moteurs d'outils mécaniques de plein air.



**AVERTISSEMENT :** pour éviter tout accident, n'effectuez jamais l'entretien ou des réparations quand l'appareil fonctionne. Effectuez-les toujours lorsqu'il est froid. Débranchez le câble de la bougie pour prévenir la mise en route.

| FREQUENCE   | ENTRETIEN REQUIS  | RÉFÉRENCE                        |
|---|---|----------------------------------|
| Avant le démarrage du moteur  | Remplissez le réservoir de carburant frais<br>Vérifiez l'huile  | Page F5<br>Page F9               |
| Toutes les 10 heures  | Nettoyez le filtre à air et lubrifiez-le de nouveau   | Page F10                         |
| Premier changement après 10 heures<br>Deuxième changement après 25 heures<br>Toutes les 25 heures après | Changez l'huile<br>Changez l'huile<br>Nettoyez le pare-étincelles   | Page F9<br>Page F9<br>Page F13   |
| 10 heures pour un moteur neuf<br>Toutes les 25 heures<br>Toutes les 25 heures                           | Vérifiez et réglez le jeu entre soupape et culbuteur<br>Vérifiez et réglez le jeu entre soupape et culbuteur<br>Vérifiez l'état de la bougie et l'écartement des électrodes | Page F11<br>Page F11<br>Page F13 |

### INSTALLATION DU TÊTE DE COUPE À FIL FIXE

Utilisez toujours le fil de remplacement de 2,67 mm (0,105 pouce) original du fabricant. Les fils autres que ceux spécifiés peuvent entraîner une surchauffe ou une panne du moteur.

Installation du fil de coupe :

1. Insérez chaque extrémité du fil de remplacement dans les trous des deux côtés du crochet de retenue (Fig. 20).
2. Poussez les extrémités à travers jusqu'à ce qu'elles dépassent des côtés de la tête (Fig. 21).
3. Tirez sur les extrémités pour les faire passer à travers en vous assurant que les bouts

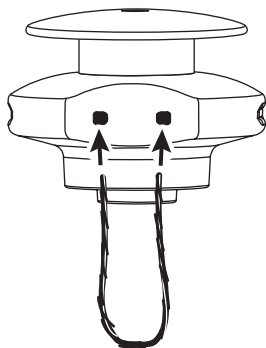


Fig. 20



**AVERTISSEMENT :** n'utilisez jamais de fil, de chaîne ou de cordon à renfort métallique car ils peuvent se briser et se transformer en projectile dangereux.

4. Si les bouts ne sont pas de longueur égale, repoussez le bout le plus long dans la tête et tirez sur le bout le plus court pour compenser. Répétez jusqu'à ce que chaque bout soit de la même longueur.

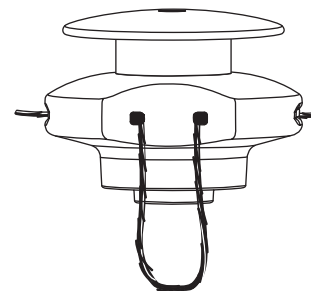


Fig. 21



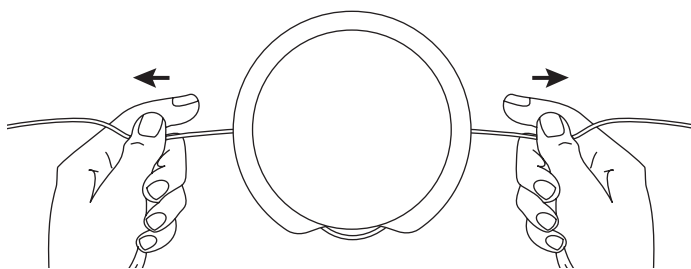


Fig. 22

5. Poussez le fil de la débroussailleuse derrière le crochet pour l'empêcher de se détacher en cours de fonctionnement (Fig. 23).

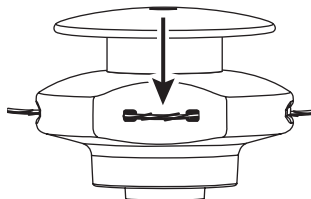


Fig. 23

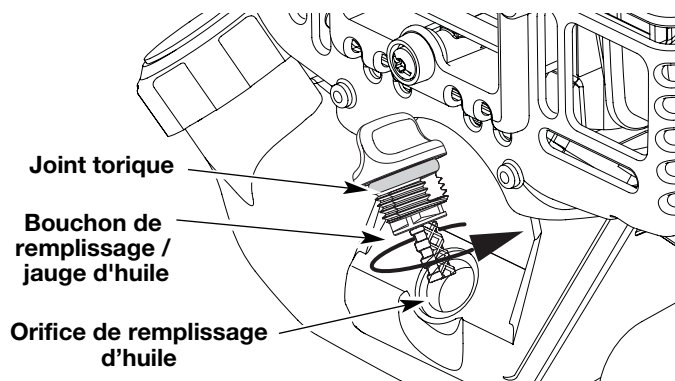


Fig. 25

### CHANGEMENT D'HUILE

Si le moteur est neuf, changez l'huile après les 10 premières heures d'utilisation. Mieux vaut changer l'huile lorsque le moteur est encore chaud. Cela lui permet de s'écouler librement et d'emporter les impuretés.

1. Débranchez le couvre-borne de bougie pour empêcher le démarrage.
2. Retirez le bouchon de remplissage / jauge d'huile.

**MISE EN GARDE :** Portez toujours des gants pour éviter tout risque de blessures lorsque vous manipulez l'appareil

3. Versez l'huile de l'orifice de remplissage dans un récipient en inclinant l'appareil à la verticale (Fig. 26). Allouez assez de temps pour une vidange complète.

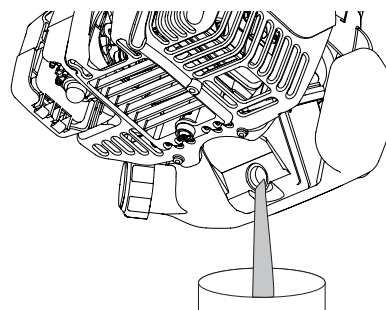


Fig. 26

4. Essuyez les résidus d'huile et nettoyez toute trace d'huile déversée. Éliminez l'huile selon les règlements fédéral, provincial et municipal en vigueur.
5. Remplissez de nouveau le carter moteur de 90 ml (3,04 oz) d'huile SAE 30 SF, SG, SH.

**REMARQUE :** Mesurez la quantité nécessaire à l'aide de la bouteille et de la buse utilisées lors de la mise en service. 100 ml (3,4 oz) correspond environ au haut de l'étiquette de la bouteille (Fig. 27). Vérifiez le niveau d'huile avec la jauge. S'il est trop bas, ajoutez un peu d'huile par l'orifice et revérifiez. Ne remplissez pas trop (Fig. 27).

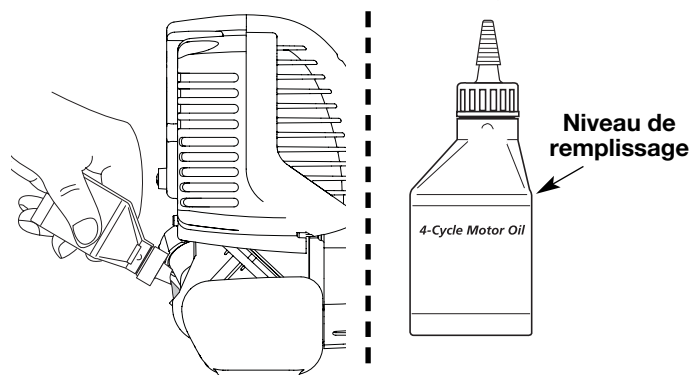


Fig. 27

6. Remplacez le bouchon de remplissage / jauge d'huile.
7. Rebranchez le couvre-borne de bougie.

**AVERTISSEMENT:** utilisez toujours la bonne longueur de fil lorsque vous posez le fil sur l'appareil.

### VÉRIFICATION DU NIVEAU D'HUILE

**MISE EN GARDE :** Pour éviter de trop user le moteur ou endommager l'appareil, maintenez toujours l'huile du carter à un bon niveau. N'utilisez jamais l'appareil si le niveau est en dessous du bas de la jauge.

Nous ne saurions trop insister sur l'importance de la vérification du niveau d'huile du carter moteur et de son maintien. Vérifiez l'huile avant chaque utilisation :

1. Arrêtez le moteur et laissez l'huile s'écouler dans le carter moteur.
2. Placez l'appareil sur une surface horizontale plane avant de relever correctement le niveau d'huile.
3. Empêchez l'accumulation de saleté, de résidus de coupe, etc. dans le moteur. Nettoyez la zone autour du bouchon / jauge d'huile avant de le retirer.
4. Retirez le bouchon / jauge d'huile et essuyez toute trace d'huile. Remplacez-le en l'enfonçant bien.
5. Retirez le bouchon de remplissage / jauge d'huile et vérifiez le niveau d'huile. L'huile devrait atteindre le haut de la jauge (Fig. 24).

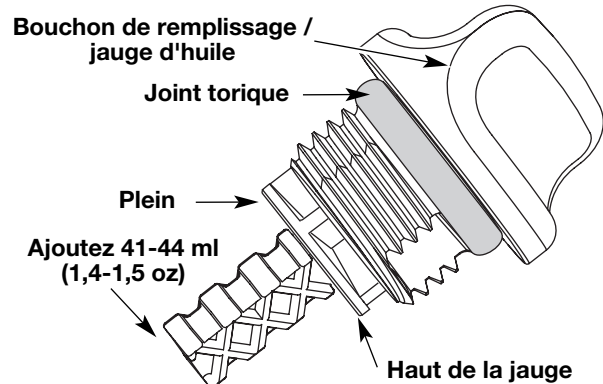


Fig. 24

6. Si le niveau est trop bas, ajoutez un peu d'huile par l'orifice et revérifiez (Fig. 25). Continuez jusqu'à ce que le niveau d'huile atteigne le haut de la jauge.

**REMARQUE :** Ne remplissez pas trop l'appareil.

**REMARQUE :** Assurez-vous que le joint torique est mis sur le bouchon de remplissage / jauge d'huile au moment de la vérification et du changement d'huile (Fig. 25).

## ENTRETIEN DU FILTRE À AIR

### Nettoyage du filtre à air



**AVERTISSEMENT :** Pour éviter des blessures graves, éteignez toujours l'appareil et laissez-le refroidir avant tout nettoyage ou entretien.

Nettoyez et relubrifiez le filtre à air à toutes les 10 heures de fonctionnement. C'est l'un des éléments les plus importants pour l'entretien. Tout manquement à l'entretien du filtre à air peut entraîner une baisse de performances ou causer des dégâts permanents à votre moteur.

1. Ouvrez le couvercle du filtre à air. Enfoncez la languette à gauche du couvercle, tirez celui-ci vers vous puis vers la droite (Fig. 28).

**REMARQUE :** Il peut s'avérer nécessaire de retirer le bouchon du réservoir pour enlever le couvercle du filtre.

2. Retirez le filtre à air (Fig. 28).

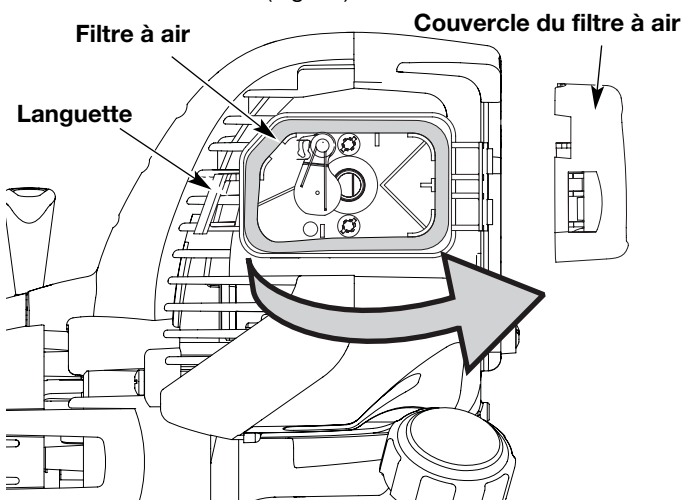


Fig. 28

3. Lavez le filtre dans un mélange d'eau et de détergent (Fig. 29). Rincez le filtre abondamment et laissez-le sécher.

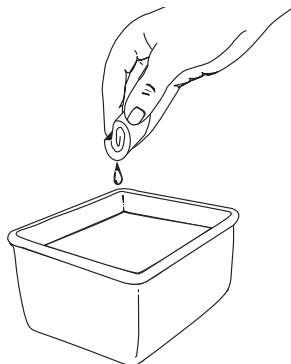


Fig. 29

4. Appliquez une quantité suffisante d'huile moteur propre SAE 30 pour enduire légèrement le filtre (Fig. 30).

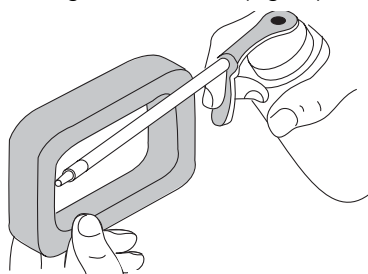


Fig. 30

5. Pressez le filtre pour répartir et drainer l'excédent d'huile (Fig. 31).

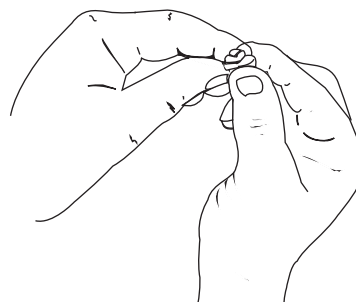


Fig. 31

6. Remplacez le filtre (Fig. 32).

**REMARQUE :** Si vous faites fonctionner l'appareil sans filtre à air, vous **ANNULEREZ** la garantie.

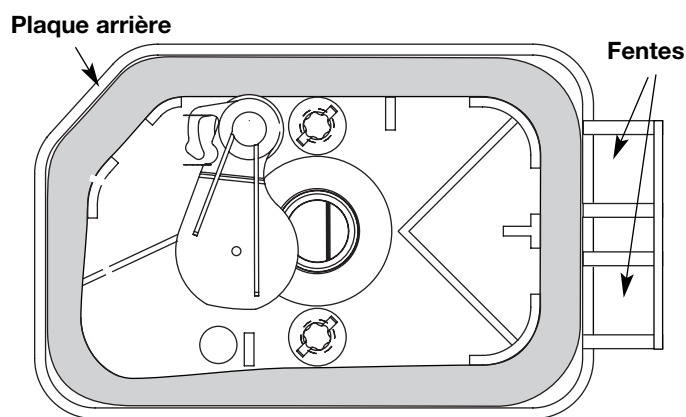


Fig. 32

7. Réinstallez le couvercle du filtre à air. Placez les crochets à droite du filtre à air dans les fentes à droite de la plaque arrière (Fig. 33, no.1).
8. Pivotez le couvercle vers la gauche jusqu'à ce que la languette du couvercle s'enfonce d'un déclic dans la plaque arrière (Fig. 33, no. 2).

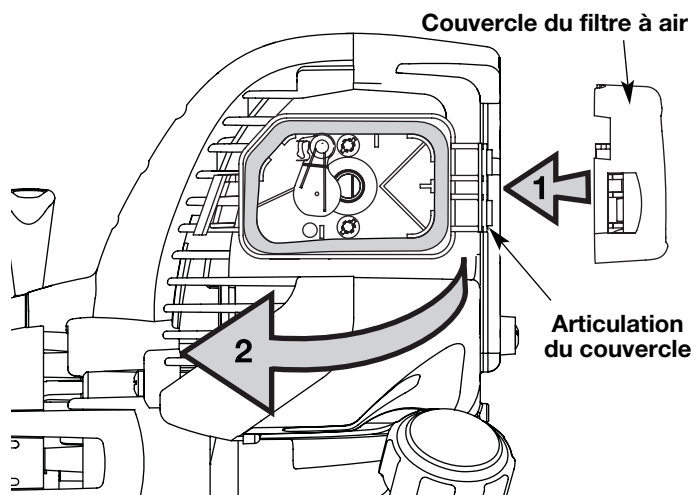


Fig. 33

## RÉGLAGE DU CARBURATEUR

La vitesse de ralenti du moteur est réglable à l'aide d'une vis de réglage accessible par un trou situé sur le dessus du couvercle du moteur (Fig. 34).

**REMARQUE :** Un réglage négligé peut sérieusement endommager l'appareil. Confiez les réglages de carburateur à un concessionnaire agréé.

### Vérification du carburant

En général, si l'appareil ne fonctionne pas correctement, c'est que le carburant est vieux. Videz puis remplissez le réservoir de carburant sans plomb frais et propre avant d'effectuer des réglages. Voir *Informations sur l'huile et le carburant*.

### Nettoyage du filtre à air

L'état du filtre à air est très important pour le fonctionnement de l'appareil. Un filtre à air sale restreint le débit d'air et affecte le mélange de carburant/air. On confond souvent cela avec un mauvais réglage du carburateur. Vérifiez l'état du filtre à air avant de régler la vis de réglage de ralenti. Voir *Entretien du filtre à air*.



**AVERTISSEMENT:** il se peut que l'accessoire de coupe tourne pendant le réglage de la vitesse de ralenti. Portez des vêtements protecteurs et respectez toutes les consignes de sécurité pour éviter des blessures graves.

### Réglage de la vis de réglage de ralenti

Si le moteur ne se met toujours pas au ralenti après vérification du carburant et nettoyage du filtre à air, réglez la vis de ralenti comme suit :

1. Démarrez le moteur et laissez-le tourner à haut régime pendant une minute pour se réchauffer.
2. Relâchez le levier d'accélérateur et laissez le moteur au ralenti. Si le moteur s'arrête, insérez un petit tournevis à embout cruciforme ou à tête plate dans le trou du couvercle du moteur (Fig. 34). Vissez la vis de réglage du ralenti de 1/8 de tour à la fois (selon le besoin) jusqu'à ce que le moteur tourne au ralenti.

**REMARQUE :** l'accessoire de coupe ne devrait pas tourner lorsque le moteur est au ralenti.

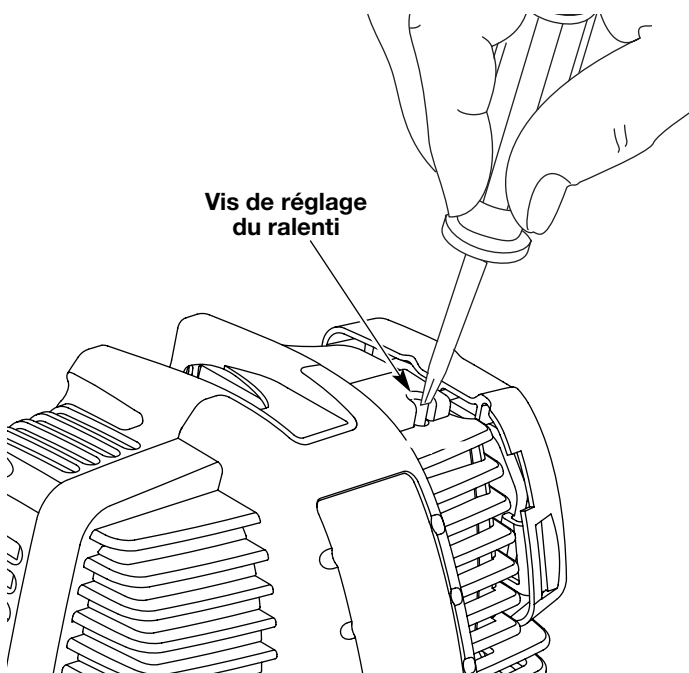


Fig. 34

3. S'il tourne, **dévissez** la vis de ralenti de 1/8 de tour à la fois (selon le besoin) pour réduire la vitesse de ralenti.

La vérification de carburant, le nettoyage du filtre à air et le réglage de la vis de ralenti devraient résoudre la plupart des problèmes de moteur. Dans le cas contraire et si :

- le moteur ne se met pas au ralenti
- le moteur hésite ou cale lors d'une accélération
- le moteur perd de sa puissance

faites régler le carburateur par un distributeur agréé.



**AVERTISSEMENT :** une fois l'appareil éteint, pour éviter des blessures graves assurez-vous que l'accessoire de coupe est arrêté avant de poser l'appareil.

### JEU ENTRE SOUPAPE ET CULBUTEUR

Ceci nécessite de démonter le moteur. Si vous ne vous sentez pas à l'aise de le faire, confiez l'appareil à un centre de service agréé.

**REMARQUE :** Inspectez le jeu entre soupape et culbuteur à l'aide d'une jauge d'épaisseur après les 10 premières heures de fonctionnement, puis par intervalle de 25 heures par la suite.

- Attendez que le moteur soit froid avant de vérifier ou de régler le jeu de la soupape.
- Faites-le à l'intérieur, dans un endroit propre et sans poussière.

1. Enlevez les cinq vis (5) du arrière du couvercle du moteur à l'aide d'un tournevis à lame plate ou T-20 Torx (Fig. 35).

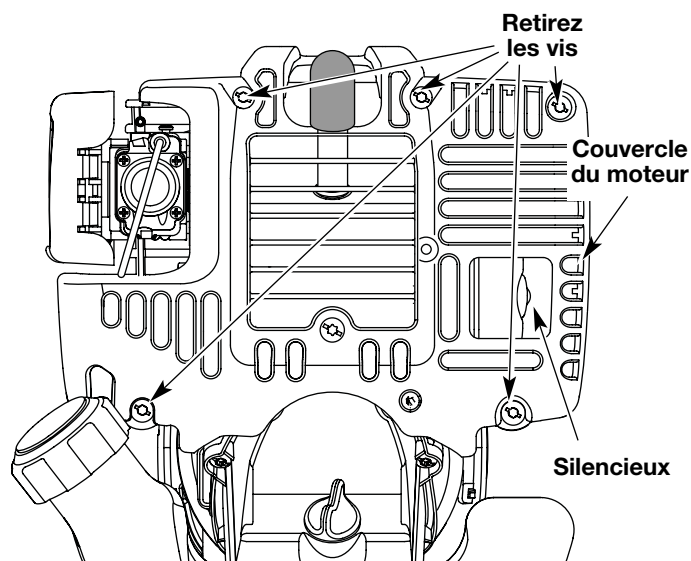


Fig. 35

2. Enlevez la vis derrière le couvercle du moteur à l'aide d'un tournevis à lame plate ou T-25 Torx (Fig. 36).

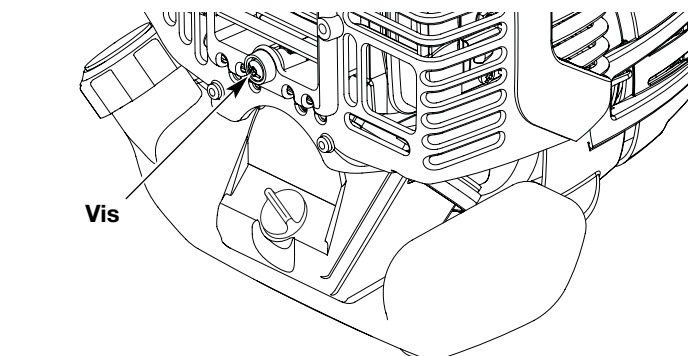


Fig. 36

3. Déconnectez le câble de la bougie.
4. Nettoyez toute saleté de la bougie. Retirez la bougie de la culasse en tournant la douille de 5/8 po à gauche.
5. Déposez le couvercle du moteur (Fig. 35 & 36).
6. Nettoyez toute saleté autour du cache-culbuteur. Retirez la vis retenant le cache-culbuteur à l'aide d'un tournevis à lame plate large ou à mèche no. T-25 Torx (Fig. 37). Enlevez le cache-culbuteur et le joint.

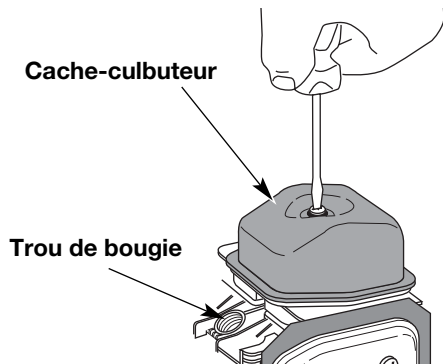


Fig. 37

7. Tirez lentement sur la corde de démarrage pour ramener le piston au sommet de sa course dit « point mort haut ». Vérifiez que :

- Le piston est au sommet de sa course lorsqu'on regarde par le trou de la bougie (Fig. 37)
- Les deux culbuteurs se déplacent librement et les deux soupapes sont fermées

Si ce n'est pas le cas, répétez la procédure.

8. Glissez la jauge d'épaisseur entre le culbuteur et le ressort de rappel de la soupape. Mesurez le jeu entre la tige de soupape et le culbuteur (Fig. 38). Faites-le pour les soupapes d'admission et d'échappement.

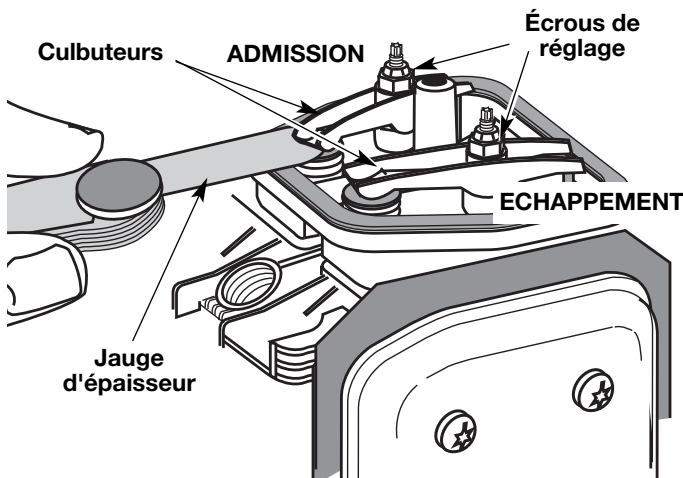


Fig. 38

L'écart de jeu recommandé pour l'admission et l'échappement est de 0,076 – 0,152 mm (0,003 – 0,006 po). Servez-vous d'une jauge d'épaisseur d'automobile standard de 0,127 mm (0,005 po). La jauge d'épaisseur devrait pouvoir glisser entre le culbuteur et la tige de soupape en rencontrant une faible résistance mais sans coller (Fig. 38 & 39).

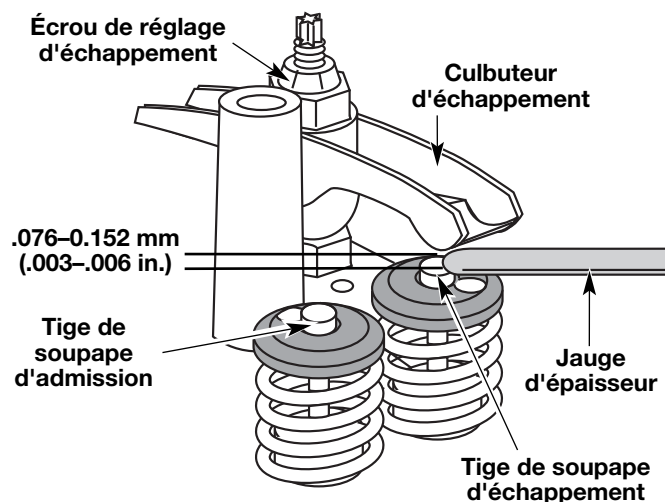



Fig. 39

9. Si le jeu n'est pas conforme:
  - a. Tournez l'écrou de réglage à l'aide d'une clé de 8 mm (5/16 po) ou d'un tournevis à embout hexagonal (Fig. 39).
    - Pour augmenter le jeu, tournez l'écrou de réglage vers la gauche.
    - Pour réduire le jeu, tournez l'écrou de réglage vers la droite.
  - b. Revérifiez les deux jeux de soupape et réglez-les au besoin.
10. Remplacez le cache-culbuteur en mettant un joint neuf. Serrez la vis avec un couple de serrage de 2,2-3,4 N•m (12 po•lb).
11. Remplacez le couvercle du moteur. Vérifiez l'alignement du couvercle avant de serrer les vis. Vissez bien.
12. Remplacez le couvercle du silencieux. Glissez avec un déclic les encoches sur les côtés du couvercle par-dessus les languettes du couvercle du moteur (Fig. 33).
13. Vérifiez l'état de la bougie et remplacez-la. Voir *Remplacement de la bougie*.
14. Remplacez le câble de la bougie.

## REPLACEMENT DE LA BOUGIE

Utilisez une bougie **791-180852B**. L'écartement correct est de 0,635 mm (0,025 po). Retirez la bougie après 25 heures de fonctionnement et vérifiez son état.

1. Arrêtez le moteur et laissez-le refroidir. Saisissez fermement le câble de la bougie et retirez le capuchon de celle-ci.
2. Nettoyez toute saleté de la bougie. Retirez la bougie de la culasse en tournant la douille de 5/8 po à gauche.



**MISE EN GARDE:** évitez de sabler, gratter ou nettoyer les électrodes car de la saleté dans le moteur pourrait endommager le cylindre.

3. Remplacez toute bougie fendillée, encrassée ou sale. Réglez l'écartement à 0,635 mm (0,025 po) à l'aide d'une jauge d'épaisseur (Fig. 40).

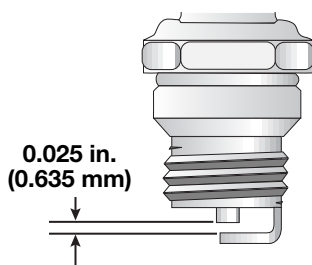


Fig. 40

4. Installez la bougie ajustée dans la culasse. Tournez la douille de 5/8 po à droite jusqu'à bien la visser.

Si vous utilisez une clé dynamométrique, vissez selon les valeurs suivantes :

**12,3-13,5 Nom (110-120 poolb).**

**Évitez de trop serrer.**

## ENTRETIEN DU PARE-ÉTINCELLES

1. Retirez le couvercle du silencieux. Voir *Jeu entre soupape et culbuteur*.
2. Retirez la vis retenant le couvercle du pare-étincelles au silencieux à l'aide d'un tournevis à lame plate ou à mèche no. T-20 Torx et no. T-25 Torx (Fig. 41).

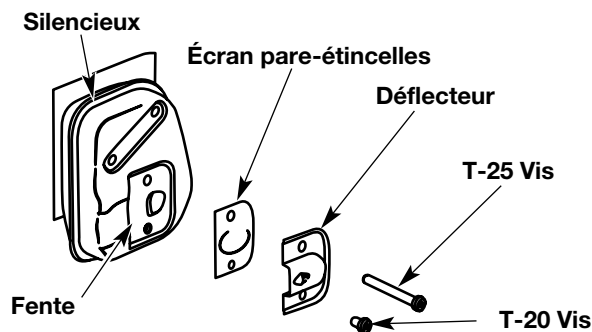


Fig. 41

3. Retirez la languette du couvercle du pare-étincelles hors du silencieux. Retirez le couvercle du pare-étincelles.
4. Retirez l'écran du pare-étincelles du couvercle de celui-ci.
5. Nettoyez l'écran du pare-étincelles avec une brosse métallique ou remplacez-le.
6. Remplacez l'écran, le couvercle et la vis du pare-étincelles.

## NETTOYAGE



**AVERTISSEMENT :** pour éviter des blessures graves, éteignez toujours la désherbeuse et laissez-la refroidir avant tout nettoyage ou entretien.

Nettoyez l'extérieur de l'appareil à l'aide d'une petite brosse. N'utilisez pas de détergents concentrés. Les nettoyants ménagers contenant des huiles aromatiques tel que le pin et le citron, et les solvants tel que le kérosène peuvent endommager le boîtier ou la poignée en plastique. Essuyez toute trace d'humidité à l'aide d'un tissu doux.

## ENTREPOSAGE

- Ne rangez jamais l'appareil plein de carburant dans un lieu où les vapeurs peuvent atteindre une flamme vive ou des étincelles.
- Laissez le moteur refroidir avant de l'entreposer.
- Rangez l'appareil dans un lieu verrouillé pour éviter toute utilisation ou accident indésirable.
- Rangez l'appareil dans un lieu sec et bien aéré.
- Rangez l'appareil hors de la portée des enfants.

## ENTREPOSAGE DE LONGUE DURÉE

1. Videz toute l'essence du réservoir dans un récipient. N'utilisez pas d'essence stockée pendant plus de 60 jours. Éliminez le vieux carburant conformément aux règlements fédéral, provincial et municipal en vigueur.
2. Démarrez le moteur, puis laissez-le tourner jusqu'à ce qu'il cale. Cela permet de s'assurer que le carburateur s'est vidé de son carburant.
3. Laissez le moteur refroidir. Retirez la bougie et versez environ 5 gouttes d'huile moteur de qualité dans le cylindre. Tirez lentement sur la corde de démarrage pour bien distribuer l'huile. Remplacez la bougie.

**REMARQUE :** Retirez la bougie et videz toute l'huile du cylindre avant de mettre en marche la désherbeuse après une période d'entreposage.

4. Changez l'huile. Voir *Changement d'huile*. Éliminez la vieille huile conformément aux règlements fédéral, provincial et municipal en vigueur.
5. Nettoyez soigneusement l'appareil et vérifiez qu'il ne comporte pas de pièces desserrées ou endommagées. Réparez ou remplacez les pièces endommagées, puis serrez les vis, écrous et boulons desserrés. L'appareil est alors prêt pour l'entreposage.

## TRANSPORT

- Laissez le moteur refroidir avant le transport.
- Vidangez tout le carburant de l'appareil.
- Serrez le bouchon du réservoir avant le transport.
- Attachez bien l'appareil lors du transport.

## DÉPANNAGE

### LE MOTEUR REFUSE DE DÉMARRER

| CAUSE   | ACTION   |
|---|--|
| Réservoir de carburant vide   | Remplissez-le de carburant frais   |
| La poire d'amorçage n'a pas été pressée assez fort  | Pressez-la complètement et lentement de 10 fois  |
| Carburant vieux   | Drainez le réservoir/ajoutez du carburant frais  |
| Bougie encrassée  | Remplacez ou nettoyez-la   |
| Pare-étincelles colmaté   | Nettoyez ou remplacez le pare-étincelles   |
| Le levier de démarrage à froid est en position FERME lorsque la température dehors dépasse 4°C (40°F) | Remettez le levier de démarrage à froid en position OUVERT   |
| Le levier de démarrage à froid est en position OUVERT lorsque la température est sous 4°C (40°F)      | Remettez le levier de démarrage à froid en position FERME et voir les <i>Instructions de démarrage</i> |

### LE MOTEUR REFUSE DE SE METTRE AU RALENTI

| CAUSE                          | SOLUTION   |
|--------------------------------|--|
| Filtre à air bouché            | Remplacez ou nettoyez-le   |
| Carburant vieux                | Drainez le réservoir/ajoutez du carburant frais                              |
| Mauvais réglage du carburateur | Ajustez selon l'instruction ou faites-le régler par un concessionnaire agréé |

### LE MOTEUR REFUSE D'ACCÉLÉRER

| CAUSE                                | SOLUTION   |
|--------------------------------------|--|
| Carburant vieux                      | Drainez le réservoir/ajoutez du carburant frais                              |
| Mauvais réglage du carburateur       | Ajustez selon l'instruction ou faites-le régler par un concessionnaire agréé |
| Accessoire de coupe engorgé d'herbes | Arrêtez le moteur et nettoyez l'accessoire                                   |
| Filtre à air sale                    | Remplacez ou nettoyez-le   |
| Pare-étincelles colmaté              | Nettoyez ou remplacez le pare-étincelles                                     |

### LE MOTEUR MANQUE DE PUISSANCE OU SE CALE DURANT LA COUPE

| CAUSE                          | SOLUTION   |
|--------------------------------|--|
| Carburant vieux                | Drainez le réservoir/ajoutez du carburant frais                              |
| Mauvais réglage du carburateur | Ajustez selon l'instruction ou faites-le régler par un concessionnaire agréé |
| Bougie encrassée               | Remplacez ou nettoyez-la   |
| Pare-étincelles colmaté        | Nettoyez ou remplacez le pare-étincelles                                     |

**Si vous avez besoin d'aide, contactez votre concessionnaire agréé.**

## CARACTÉRISTIQUES

### MOTEUR\*

|   |                                 |
|---|---------------------------------|
| Type de moteur.....                       | Refroidi par air, 4-temps       |
| Cylindrée.....                            | 26,2 cc (1,6 po3)               |
| Type d'embrayage.....                     | Centrifuge                      |
| Régime de fonctionnement.....             | 6,800 - 9,300 tr/min            |
| Régime ralenti.....                       | 2,800 - 3,600 tr/min            |
| Type d'allumage.....                      | Électronique                    |
| Contact d'allumage.....                   | Interrupteur berceau            |
| Jeu de soupape.....                       | 0,076-0,152 mm (0,003-0,006 po) |
| Écartement de la bougie.....              | 0,635 mm (0,025 po)             |
| Lubrification.....                        | Huile SAE 30                    |
| Contenance en huile du carter moteur..... | 90 ml (3,04 oz)                 |
| Carburant.....                            | Sans plomb                      |
| Carburateur.....                          | Membrane, toutes positions      |
| Démarrreur.....                           | Rembobinage automatique         |
| Silencieux.....                           | Chicane avec protection         |
| Accélérateur.....                         | À rappel manuel                 |
| Capacité du réservoir de carburant.....   | 532 ml (18 oz)                  |

### ARBRE D'ENTRAÎNEMENT et ACCESSOIRE DE COUPE\*

|  |  |
|--|--|
| Logement de l'arbre d'entraînement.....  | Tube acier (Rapid-Link <sup>MD</sup> )                     |
| Manette des gaz.....   | Détente à portée du doigt                                  |
| Poids de l'appareil (sans carburant, avec poignée, protecteur<br>d'accessoire de coupe et accessoire de coupe) | CC4125.....6 kg (11.7 lbs)<br>CC4175.....6.5 kg (14.5 lbs) |
| Mécanisme de coupe:.....   | Tête de coupe à fil fixe                                   |
| Diamètre de la bobine de fil:.....   | 7,62 cm (3 po)   |
| Diamètre du fil:.....  | 2,67 mm (0,105 po)   |
| Diamètre du chemin de coupe.....   | 406,4 cm (16 po)   |

\* Toutes les spécifications contenues dans ce manuel tiennent compte des dernières informations techniques disponibles au moment de mettre sous presse. Nous nous réservons le droit d'y apporter des modifications à tout moment, sans préavis.

## GARANTIE LIMITÉE DU FABRICANT POUR:

# Cub Cadet

La garantie limitée énoncée ci-après est accordée par Cub Cadet LLC et concerne les marchandises neuves achetées et utilisées aux États-Unis, ses possessions et territoires.

Cub Cadet LLC garantit ce produit contre tout vice de matière ou de façon pendant une période de deux (2) ans à compter de la date d'achat initiale et elle se réserve le choix de réparer ou de remplacer, à titre gratuit, toute pièce présentant un vice de matière ou de façon. Cette garantie limitée ne s'appliquera que dans la mesure où le produit aura été utilisé et entretenu conformément au Manuel de l'utilisateur fourni avec le produit et n'aura pas fait l'objet d'un usage inadéquat, abusif, commercial ou négligent, d'un accident, d'un entretien inadéquat, d'une modification, de vandalisme, d'un vol, d'un incendie, de dégâts d'eau ou d'un endommagement résultant d'un autre péril ou d'un désastre naturel. Les dommages résultants de l'installation ou de l'utilisation de tout accessoire ou équipement non approuvé par Cub Cadet pour une utilisation avec le(s) produit(s) couvert(s) par le présent manuel annuleront la garantie en ce qui concerne les dommages qui en résulteraient éventuellement. La présente garantie est limitée à quatre-vingt-dix (90) jours à compter de la date d'achat au détail initiale pour tout produit Cub Cadet utilisé à des fins locatives ou commerciales, ou toute utilisation produisant des revenus.

**POUR L'OBTENTION DU SERVICE DE GARANTIE :** le service au titre de la garantie est disponible, SUR PRÉSENTATION D'UNE PREUVE D'ACHAT, AUPRÈS DU DISTRIBUTEUR AGRÉÉ LOCAL. Pour trouver un distributeur dans votre région, visitez notre site Web [www.cubcadet.com](http://www.cubcadet.com), consultez les Pages Jaunes, appelez le **1-877-282-8684** ou écrivez à l'adresse Cub Cadet LLC, PO Box 361131, Cleveland, OH 44136-0019.

**La garantie limitée n'offre aucune couverture dans les cas suivants :**

- A. Mises au point : bougies, réglages de carburateur, filtres
- B. Éléments pouvant s'user : boutons de butée, bobines extérieures, fil de coupe, moulins intérieurs, poulie du démarreur, cordons de démarrage, courroies d'entraînement
- C. Cub Cadet LLC n'accorde aucune garantie pour les produits vendus ou exportés des États-Unis d'Amérique, de leurs possessions et territoires, exception faite en ce qui concerne les produits vendus par l'intermédiaire de ses canaux agréés de distribution à l'exportation.

Cub Cadet LLC se réserve le droit de modifier ou d'améliorer la conception de ses produits sans pour autant assumer l'obligation de modifier tout produit d'une fabrication plus ancienne.

**Aucune garantie implicite, y compris toute garantie de valeur marchande ou d'adaptation à une fin particulière, ne s'applique après la période applicable de garantie expresse écrite ci-dessus concernant les pièces qui sont identifiées. Aucune autre garantie ou caution expresse, écrite ou orale, à l'exception de celle mentionnée ci-dessus, accordée par toute personne ou entité, y compris tout distributeur ou détaillant, concernant tout produit n'engagera la responsabilité de Cub Cadet LLC. Pendant la période de garantie, le recours exclusif est la réparation ou le remplacement du produit dans les conditions énoncées ci-dessus.** (Certains états ne permettent pas la limitation de la garantie implicite, il est donc possible que la limitation ci-dessus ne s'applique pas à vous.)

**Les clauses énoncées dans la présente Garantie constituent le recours unique et exclusif inhérent aux ventes. Cub Cadet LLC ne sera en aucun cas tenue pour responsable de tout dommage indirect ou consécutif ou de dommages comprenant, entre autres, les dépenses encourues du fait du recours à des services de remplacement ou de substitution pour l'entretien des pelouses, le transport ou des frais connexes, ou les frais entraînés par une location destinée à remplacer provisoirement un produit sous garantie.** (Certains états ne permettent pas la limitation de la garantie implicite, il est donc possible que la limitation ci-dessus ne s'applique pas à vous.)

Aucun recouvrement, quel qu'il soit, ne sera d'un montant supérieur au prix du produit vendu. Toute modification des dispositifs de sécurité du produit annulera la présente Garantie. Vous assumez tout risque et toute responsabilité résultant de la perte, de l'endommagement ou du préjudice que vous et votre propriété et/ou d'autres et leur propriété pourront encourir d'un fait de l'utilisation normale, de la mauvaise utilisation ou de l'incapacité d'utiliser le produit.

La présente garantie limitée n'est accordée qu'à l'acheteur initial, au preneur initial ou à la personne à laquelle le produit a été offert.

**Le Droit des États vis à vis de la présente garantie :** la présente garantie vous confère certains droits juridiques et vous pouvez bénéficier d'autres droits lesquels varient d'un état à l'autre.

Pour obtenir l'adresse du distributeur réparateur le plus proche, composez le : **1-877-282-8684**.

## Cub Cadet LLC

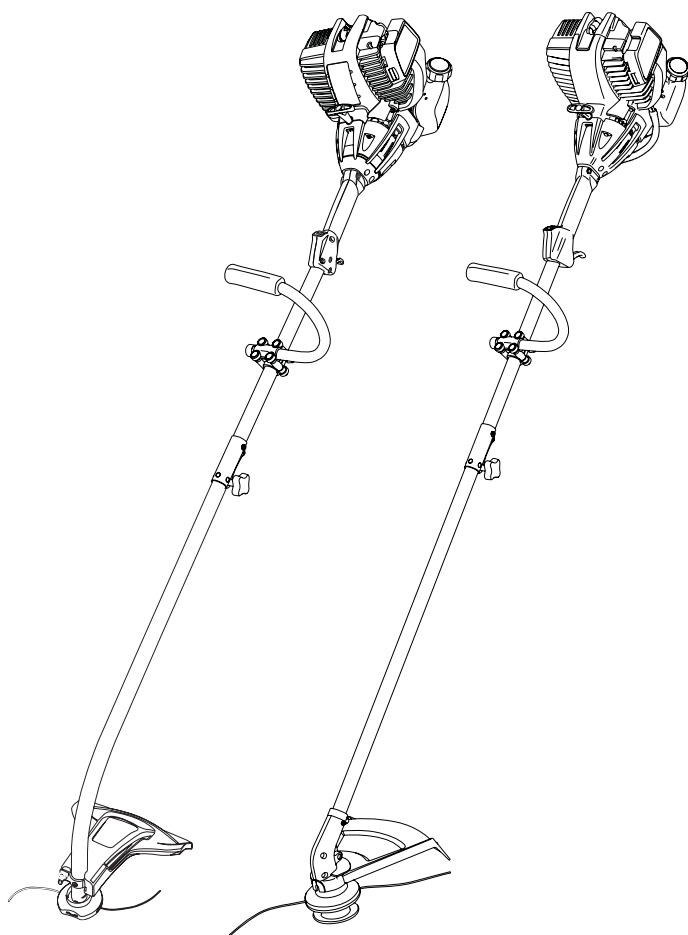
PO Box 361131

Cleveland, OH 44136-0019



# Cub Cadet

## Manuel del Dueño/Operador



### Recortador de 4 Ciclos a Gasolina CC4125 / CC4175

#### CONSERVE ESTAS INSTRUCCIONES

Llame **1-877-282-8684** en EE.UU. o al **1-800-668-1238** en Canada para obtener una lista de distribuidores de servicio localizados cerca de usted. Para obtener más detalles sobre su unidad, visite nuestro sitio en [www.cubcadet.com](http://www.cubcadet.com).

**NO REGRESE SU UNIDAD AL VENDEDOR. PARA SOLICITAR SERVICIO POR LA GARANTIA, DEBERA PRESENTAR PRUEBA DE SU COMPRA.**



ESTE PRODUCTO ESTA CUBIERTO POR UNA O MAS PATENTES DE EE.UU., OTRAS PATENTES EN TRAMITE.

El servicio de esta unidad, ya sea durante o después del período cubierto por la garantía, debe ser realizado solamente por un proveedor de servicios autorizado y aprobado.

#### PARACHISPAS

**NOTA: Para los usuarios en tierras forestales de los EE.UU. y en los estados de California, Maine, Oregon y Washington.** Todos los terrenos forestales de los EE.UU. y el estado de California (Códigos de Recursos Públicos 4442 y 4443), Oregon y Washington, requieren por decreto, que ciertos motores de combustión interna que se hagan funcionar en zonas boscosas y/o zonas cubiertas por pastizales, estén equipados con un parachispas, que sean mantenidos en buen estado de funcionamiento o que el motor sea construido, esté equipado y sea mantenido para evitar incendios. Consulte los reglamentos pertinentes a esos requisitos con las autoridades estatales o locales. El incumplimiento de esos requisitos puede responsabilizarle o someterle a la imposición de una multa. **Esta unidad fue equipada en la fábrica con un parachispas.** Si requiere sustitución, hay una **Pantalla Parachispas disponible, Pieza # 753-05297** al contactar el departamento de servicio.


#### PROPOSICIÓN 65 DE CALIFORNIA

WARNING

LAS EMISIONES DEL MOTOR DE ESTE PRODUCTO  
CONTIENEN SUBSTANCIAS QUIMICAS QUE EL  
ESTADO DE CALIFORNIA CONOCE COMO CAUSANTES  
DECANCER, DEFECTOS DE NACIMIENTO U OTROS  
DAÑOS REPRODUCTIVOS.

#### INDICE DE CONTENIDOS

|   |     |
|---|-----|
| Llamadas a apoyo al cliente .....                 | E1  |
| Normas para una operación segura .....            | E2  |
| Información del aceite y del combustible .....    | E3  |
| Conozca su unidad .....                           | E4  |
| Instrucciones de ensamble .....                   | E5  |
| Instrucciones de arranque y apagado .....         | E6  |
| Instrucciones de operación .....                  | E7  |
| Instrucciones de mantenimiento y reparación ..... | E8  |
| Limpieza y almacenamiento .....                   | E13 |
| Cuadro de solución de problemas .....             | E14 |
| Especificaciones .....                            | E15 |
| Garantía .....                                    | E16 |



**ADVERTENCIA:** Al utilizar la unidad, debe observar las reglas de seguridad. Lea estas instrucciones antes de operar la unidad a fin de garantizar la seguridad del operador y cualquier transeúnte. Guarde estas instrucciones para uso posterior.

Toda la información, las ilustraciones y las especificaciones contenidas en este manual se basan en la información más reciente disponible en el momento de impresión del manual. Nos reservamos el derecho de hacer cambios en cualquier momento sin aviso previo.

Copyright© 2006 MTD SOUTHWEST INC. Todos los derechos reservados.

## • IMPORTANTE INFORMACION DE SEGURIDAD •

### LEA TODAS LAS INSTRUCCIONES ANTES DE LA OPERACION

- Lea todas las instrucciones con cuidado. Conozca bien los controles y el uso correcto de la unidad.
- No opere esta unidad si está cansado, enfermo, o bajo los efectos del alcohol, drogas o medicamentos.
- Los niños y los adolescentes menores de 15 años no deben operar las unidades, excepto por los adolescentes guiados por un adulto.
- Inspeccione la unidad antes de utilizarla. Cambie las partes dañadas. Verifique si existen pérdidas de combustible. Asegúrese de que los sujetadores estén bien colocados y asegurados. Cambie las partes accesorias de corte que estén quebradas, cascadas o dañadas de cualquier forma. Asegúrese de que el accesorio de corte está bien instalado y ajustado con firmeza. Asegúrese de que la protección accesorio de corte esté bien conectada y colocada según se recomienda.
- Use siempre la línea de repuestos de 2,67 mm del fabricante del equipo original. No use nunca línea reforzada con metal, alambre, cadena ni soga, etc. Estas pueden desprenderse y convertirse en un proyectil peligroso.
- Tenga en cuenta el riesgo de lesiones en la cabeza, manos y pies.
- Oprima el control del regulador y verifique que regrese automáticamente a la posición de mínima. Haga todos los ajustes o reparaciones antes de usar la unidad.
- Limpie el área de corte antes de cada uso. Retire todos los objetos como rocas, vidrios rotos, clavos, alambre o cuerda los cuales pueden ser despedidos o enredarse en el accesorio de corte. Aleje a todos los niños, espectadores y animales domésticos. Mantenga todos los niños, espectadores y animales domésticos a un radio de por lo menos 15 m (50 pies); aún así puede existir un riesgo de objetos despedidos contra los espectadores. Los espectadores deben usar protección para sus ojos. Si alguien se le acerca, pare el motor y el accesorio de corte de inmediato.

### ADVERTENCIAS DE SEGURIDAD PARA LOS RECERTADORES A GASOLINA

- Guarde el combustible en envases que hayan sido diseñados y aprobados para el almacenamiento de dichos materiales.



**ADVERTENCIA:** La gasolina es muy inflamable y sus gases pueden explotar si se encienden. Tome las siguientes precauciones:

- Aleje la unidad a por lo menos 9,1 m (30 pies), del lugar de carga de combustible antes de arrancar el motor. No fume, mantenga las chispas y las llamas abiertas lejos del área mientras carga el combustible u opera la unidad.
- Cargue el combustible en un área exterior bien ventilada donde no haya chispas ni llamas. Quite lentamente la tapa del combustible sólo después de apagar el motor. No fume mientras carga el combustible. Limpie de inmediato todo el combustible que se haya derramado.
- Antes de llenar el tanque de combustible, apague siempre el motor y espere que se enfríe. No retire nunca la tapa del tanque de combustible ni cargue combustible mientras el motor esté caliente. No opere nunca la unidad sin la tapa del combustible colocada firmemente en su lugar. Afloje la tapa del combustible lentamente para disipar la presión del tanque.
- Evite crear una fuente de encendido por combustible derramado. No arranque el motor hasta que se hayan disipado los vapores del combustible.

### DURANTE LA OPERACION

- No arranque ni opere la unidad en una sala o edificio cerrado. Los gases de escape de monóxido de carbono pueden ser letales en un área cerrada. Opere esta unidad sólo en un área exterior bien ventilada.
- Use lentes o gafas de protección que cumplan con las normas ANSI Z87.1, y protección para sus oídos/audición mientras opere esta unidad. Use siempre una máscara facial o para protegerse contra el polvo si la operación levanta polvo.
- Use pantalones largos y gruesos, botas, guantes y camisa de manga larga. No use ropa holgada, alhajas, pantalones

cortos, sandalias ni esté descalzo. Sostenga el cabello sobre el nivel de los hombros.

- La protección accesorio de corte debe estar siempre colocada en su lugar mientras opere la unidad. No opere la unidad con las dos líneas de corte extendidas, y la línea correcta instalada. No extienda la línea de corte más allá de la longitud de la protección.
- Esta unidad cuenta con un embrague. El accesorio de corte permanece estacionario cuando el motor está en marcha lenta. Si no lo hace, haga ajustar la unidad por un técnico de servicio autorizado.
- Ajuste la manija a su tamaño de modo que le brinde el mejor agarre.
- Asegúrese de que el accesorio de corte no está en contacto con ningún objeto antes de arrancar la unidad.
- Use la unidad únicamente con la luz del día o con buena luz artificial.
- Evite arrancar la unidad accidentalmente. Colóquese en posición de inicio siempre que tire de la cuerda de arranque. El operador y la unidad deben estar en una posición estable al comenzar. Lea las instrucciones de Arranque y Apagado.
- Use la herramienta adecuada. No use esta unidad para ninguna tarea para la cual no ha sido diseñada.
- No se estire demasiado. Mantenga siempre una posición y equilibrio adecuados.
- Sostenga siempre la unidad con ambas manos mientras esté en funcionamiento. Sostenga con firmeza tanto el mango como la manija auxiliar.
- Mantenga las manos, la cara y los pies lejos de todas las partes móviles. No intente tocar ni detener el accesorio de corte mientras gira.
- No toque el motor, el bastidor del engranaje ni el silenciador. Estas partes se calientan mucho con la operación. Luego de apagar la unidad, permanecen calientes durante un tiempo breve.
- No opere el motor a una velocidad mayor que la necesaria para cortar, recortar o recortar los bordes. No haga funcionar el motor a alta velocidad mientras no está cortando.
- Apague siempre el motor cuando demore el corte o mientras camina entre zonas de corte.
- Si golpea o se enreda con algún objeto extraño, apague el motor de inmediato y verifique si hay daños. Repare todos los daños antes de volver a intentar operar la unidad. No opere la unidad si tiene piezas flojas o dañadas.
- Apague el motor para realizar todo el mantenimiento, reparaciones o cambio del accesorio de corte u otros accesorios.
- Use sólo piezas y accesorios de repuesto del fabricante del equipo original para esta unidad. Puede obtenerlos en su proveedor de servicio autorizado. El uso de piezas y accesorios que no son equipo original; puede causar graves lesiones al operador o el daño de su unidad, y la cancelación de su garantía.
- Mantenga la unidad libre de vegetación y otros materiales. Pueden alojarse entre el accesorio de corte y la protección.
- Para reducir el riesgo de incendio, cambie los silenciadores y amortiguadores de chispas defectuosos, mantenga el motor y el silenciador libre de pasto, hojas, grasa excesiva o acumulaciones de carbono.

### OTRAS ADVERTENCIAS DE SEGURIDAD

- No guarde nunca la unidad con combustible en el tanque en un edificio donde los gases puedan llegar a una llama abierta o a una chispa.
- Espere que el motor se enfríe antes de guardar o transportar la unidad. Asegúrese de que la unidad esté segura al transportarla.
- Guarde la unidad bajo llave en un lugar adecuado y seco para evitar que sea usada por personas no autorizadas y se dañe, fuera del alcance de los niños.
- Nunca moje ni rocíe la unidad con agua ni con ningún otro líquido. Mantenga las manijas secas, limpias y sin residuos. Limpie la unidad luego de cada uso, lea las instrucciones de Limpieza y Almacenamiento.
- Guarde estas instrucciones. Consúltelas con frecuencia y utilícelas para enseñar a otros usuarios. Si le presta esta unidad a alguien, préstele también estas instrucciones.

## CONSERVE ESTAS INSTRUCCIONES

## NORMAS PARA UNA OPERACIÓN SEGURA

### SIMBOLOS DE SEGURIDAD E INTERNACIONALES

Este manual del operador describe los símbolos y figuras de seguridad e internacionales que pueden aparecer en este producto. Lea el manual del operador para obtener información completa acerca de la seguridad, ensamble, operación y mantenimiento y reparación.

| SIMBOLO | SIGNIFICADO  | SIMBOLO | SIGNIFICADO   |
|---------|--|---------|---|
|         | <ul style="list-style-type: none"> <li>• <b>SIMBOLO DE ALERTA DE SEGURIDAD</b><br/>Indica peligro, advertencia o precaución. Puede ser utilizado junto con otros símbolos o figuras.</li> </ul>  |         | <ul style="list-style-type: none"> <li>• <b>CONTROL DE ENCENDIDO Y APAGADO</b><br/>ENCENDIDO /ARRANQUE /MARCHA</li> </ul>   |
|         | <ul style="list-style-type: none"> <li>• <b>ADVERTENCIA - LEA EL MANUAL DEL OPERADOR</b><br/>Lea el manual del operador y siga todas las advertencias e instrucciones de seguridad. De no hacerlo, el operador y/o los espectadores pueden sufrir graves lesiones.</li> </ul>  |         | <ul style="list-style-type: none"> <li>• <b>CONTROL DE ENCENDIDO Y APAGADO</b><br/>APAGADO o PARADO</li> </ul>  |
|         | <ul style="list-style-type: none"> <li>• <b>USE PROTECCION OCULAR Y AUDITIVA</b><br/><b>ADVERTENCIA :</b> Los objetos arrojados por la unidad y el ruido fuerte pueden causar graves lesiones oculares y pérdida auditiva. Utilice protección ocular que cumpla con las normas ANSI Z87.1 y protección auditiva cuando opere esta unidad. Use una careta completa cuando la necesite.</li> </ul> |         | <ul style="list-style-type: none"> <li>• <b>MANTENGA ALEJADOS A LOS ESPECTADORES</b><br/><b>ADVERTENCIA:</b> Mantenga a todos los espectadores, en especial a niños y animales domésticos a por lo menos 50 pies (15 m) del área de corte.</li> </ul>   |
|         | <ul style="list-style-type: none"> <li>• <b>BOMBILLA DEL CEBADOR</b><br/>Oprima la bombilla del cebador completa y lentamente, de 5 a 7 veces.</li> </ul>  |         | <ul style="list-style-type: none"> <li>• <b>ADVERTENCIA DE CALIENTE</b><br/>No toque un silenciador ni un cilindro caliente. Puede quemarse. Estas partes se calientan mucho con el uso. Luego de apagarse permanecen calientes durante un corto tiempo.</li> </ul>                                       |
|         | <ul style="list-style-type: none"> <li>• <b>COMBUSTIBLE SIN PLOMO</b><br/>Use siempre combustible limpio, nuevo y sin plomo.</li> </ul>  |         | <ul style="list-style-type: none"> <li>• <b>CUCHILLA AFILADA</b><br/><b>ADVERTENCIA :</b> La protección del accesorio de corte contiene una cuchilla afilada. Para prevenir graves lesiones, no toque la cuchilla.</li> </ul>   |
|         | <ul style="list-style-type: none"> <li>• <b>INDICADOR DE ACEITE</b><br/>Consulte el manual del operador para obtener información acerca del tipo correcto de aceite.</li> </ul>  |         | <ul style="list-style-type: none"> <li>• <b>LOS OBJETOS DESPEDIDOS Y LA CUCHILLA ROTATIVA PUEDEN CAUSAR GRAVES LESIONES</b><br/><b>ADVERTENCIA:</b> No opere esta unidad si la protección plástica de línea no está colocada en su lugar. Manténgase alejado del accesorio de corte giratorio.</li> </ul> |

### CONOZCA SU UNIDAD

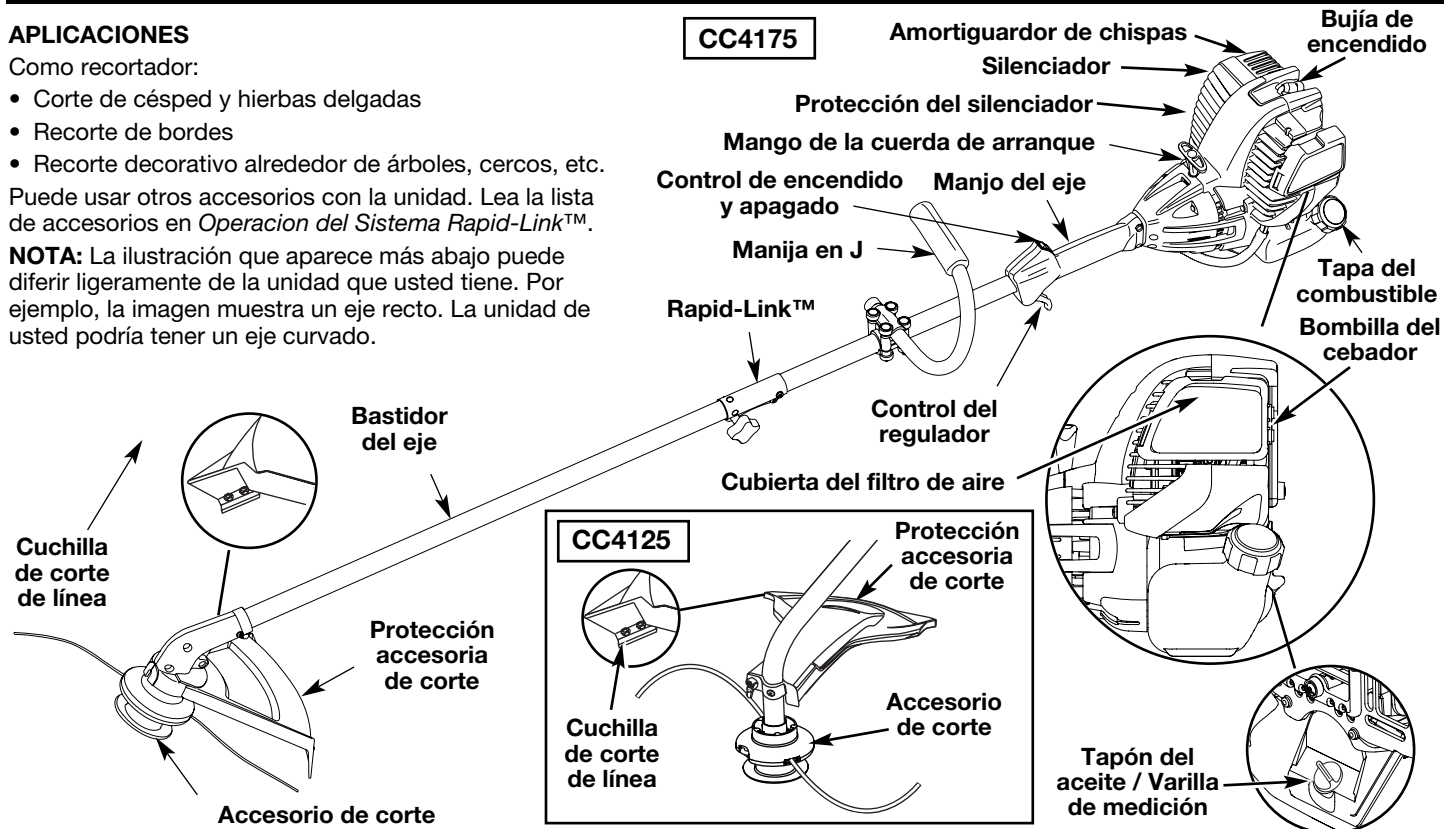
#### APLICACIONES

Como recortador:

- Corte de césped y hierbas delgadas
- Recorte de bordes
- Recorte decorativo alrededor de árboles, cercos, etc.

Puede usar otros accesorios con la unidad. Lea la lista de accesorios en *Operación del Sistema Rapid-Link™*.

**NOTA:** La ilustración que aparece más abajo puede diferir ligeramente de la unidad que usted tiene. Por ejemplo, la imagen muestra un eje recto. La unidad de usted podría tener un eje curvado.



**INSTALACION DEL PROTECTOR ACCESORIO DE CORTE**

Siga las siguientes instrucciones si el protector accesorio de corte no está instalado en su unidad.



**ADVERTENCIA:** No opere nunca la recortadora sin el protector accesorio de corte colocado en su lugar para evitar graves lesiones personales.

**CC4125**

1. Coloque el protector del accesorio de corte en el bastidor del eje. Cerciérese de que el soporte de montaje de la guardera se deslice en la ranura situada en el borde del protector de corte. Gire el protector en sentido antihorario hasta que quede en su lugar (Fig. 1). Los orificios en el soporte de montaje de la guardera y el protector del accesorio de corte se alinearán.

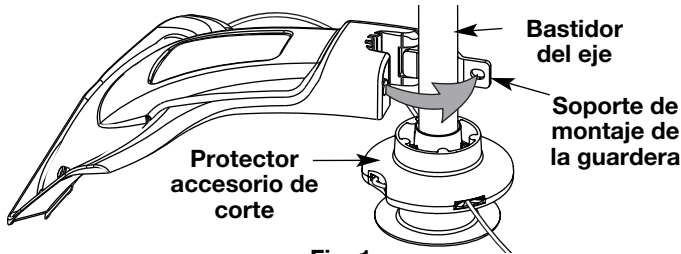


Fig. 1

2. Desde el interior del protector del accesorio de corte, empuje el perno cuadrado a través del orificio hasta que el extremo con roscas sobresalga a través del soporte de montaje de la guardera (Fig. 2).

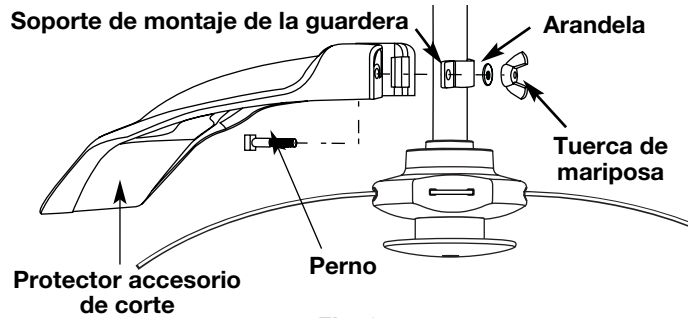


Fig. 2

3. Ponga la arandela en el perno, y después atornille la tuerca de mariposa y apriétela. La Figura 3 muestra el proceso de instalación desde un ángulo por debajo de la unidad.

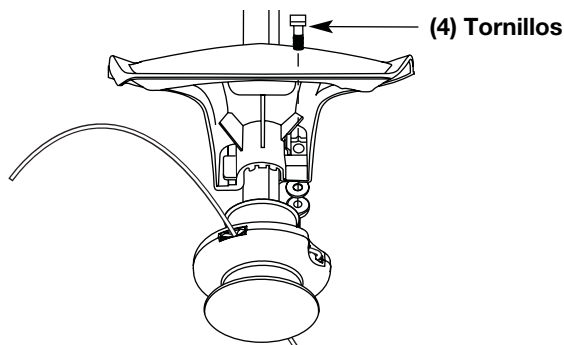


Fig. 3

**CC4175**

1. Deslice el protector accesorio de corte en el montaje del protector sobre el accesorio de corte. Alinee los orificios de los tornillos del protector con los orificios del accesorio de corte (Fig. 4).
2. Coloque uno de los tres (3) provistos con tuerca hexagonal en uno de los tres orificios cóncavos de la parte superior del protector accesorio de corte (Fig. 5).
3. Instale un tornillo en el orificio de la base del protector accesorio de corte. Atorníllelo en la tuerca instalada en el paso 2 (Fig. 5). No lo ajuste.

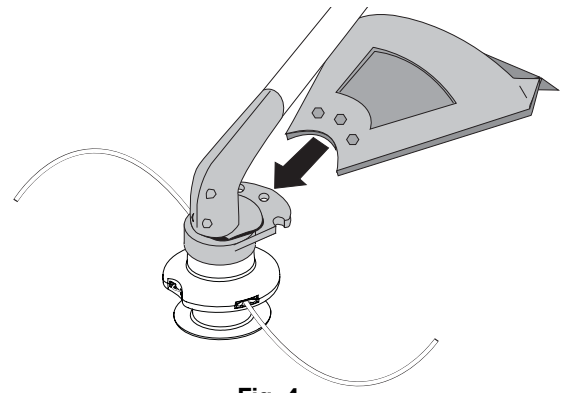


Fig. 4

4. Repita los pasos 2 y 3 hasta haber comenzado los tres tornillos con un destornillador Phillips, luego ajústelos bien.

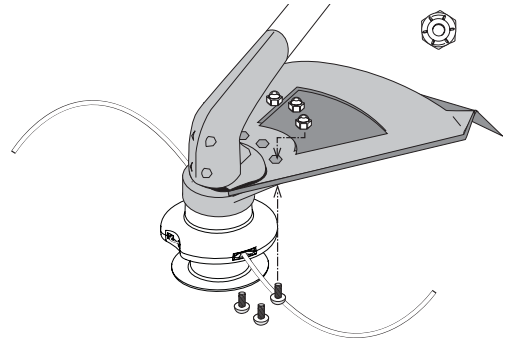


Fig. 5

**INSTALACIÓN Y AJUSTE DE LA MANIJA EN J**

1. Afloje los tornillos.
2. Deslice la manija en J hacia dentro o hacia fuera hasta que la flecha o línea blanca de la calcomanía toque el ensamble de abrazaderas (Fig. 6).

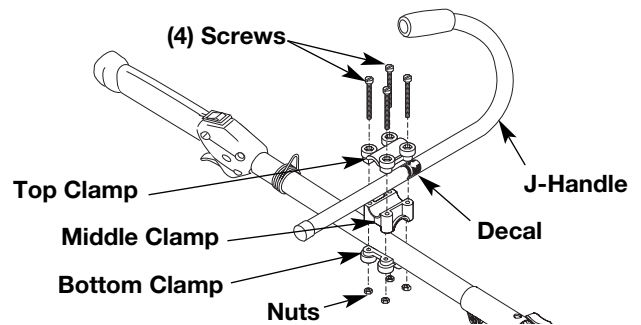


Fig. 6

3. Mientras sostiene la unidad en posición de operación (Fig. 18), coloque la manija en J en la posición que le brinde el mejor agarre.
4. Ajuste los tornillos de la abrazadera en forma pareja hasta que la manija en J esté firme.



**ADVERTENCIA:** EL LLENAR DEMASIADO EL CÁRTER PUEDE CAUSAR LESIONES PERSONALES GRAVES No podemos exagerar la importancia del control y mantenimiento del nivel correcto de aceite en el cigüeñal. Verifique el aceite antes de cada uso y cámbielo cuando sea necesario según se indica en la sección de *Cambio del aceite*.

**TIPO DE ACEITE RECOMENDADO**

El uso de un aceite del tipo y peso correctos en el cigüeñal es extremadamente importante. Verifique el aceite antes de cada uso y cambie el aceite con frecuencia. Si no usa el aceite correcto, o utiliza aceite sucio, puede causar el desgaste y falla prematuros del motor.

## INFORMACION DEL ACEITE Y DEL COMBUSTIBLE

Use un aceite de buena calidad SAE 30 de API (American Petroleum Institute) clase de servicio SG, SF, SH.

### CARGA DE ACEITE EN EL CARTER DEL CIGÜEÑAL: USO INICIAL

**NOTA:** Esta unidad se envía sin carga de aceite. A fin de evitar el daño de la unidad, cargue aceite en el cárter del cigüeñal antes de intentar arrancar la unidad.

Su unidad trae una botella de aceite SAE 30 SF, SG, SH de 90 ml (3,04 onzas fluidas) (Fig. 7).

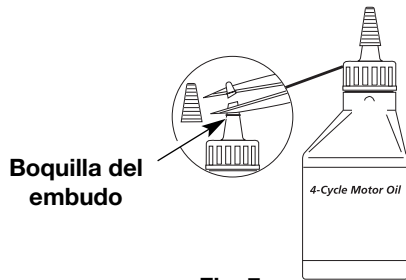


Fig. 7

**NOTA:** Guarde la botella para medir la cantidad correcta de aceite cuando deba cambiarlo en el futuro. Lea *Cambio de Aceite*.

1. Desenrosque la tapa de la botella de aceite y retire el sello de papel que cubre la apertura. Vuelva a colocar la tapa. Corte la punta de la boquilla del embudo (Fig. 7).
2. Coloque la unidad sobre una superficie plana (Fig. 8).

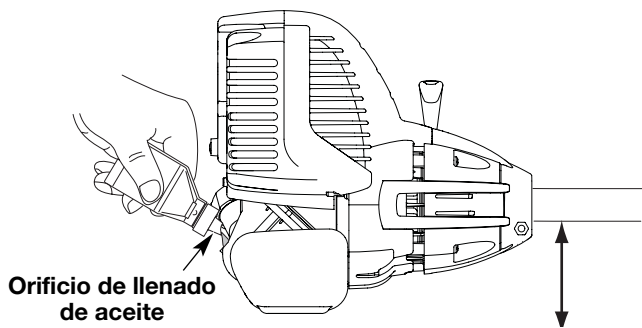


Fig. 8

3. Saque el tapón de aceite/ varilla de medición del cigüeñal (Fig. 9).

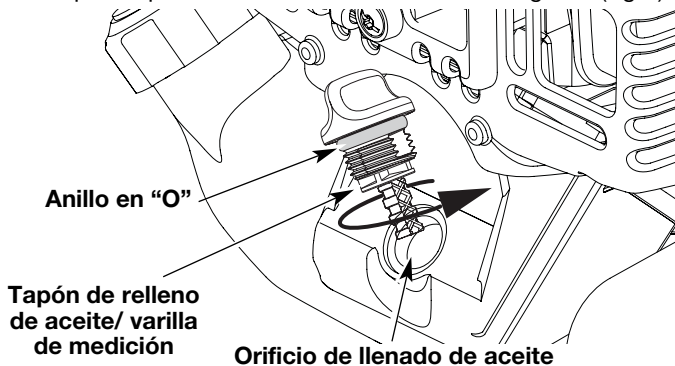


Fig. 9

4. Vierta todo el contenido de la botella de aceite en el cigüeñal (Fig. 9).

**NOTA:** No agregue nunca aceite al combustible o al tanque de combustible.

5. Limpie todo el aceite que pueda haberse derramado y vuelva a instalar el tapón del aceite / varilla de medición.

No podemos exagerar la importancia del control y mantenimiento del nivel correcto de aceite en el cigüeñal. Verifique el aceite antes de cada uso y cámbielo cuando sea necesario según se indica en la sección de *Cambio del aceite*.

### TIPO DE COMBUSTIBLE RECOMENDADO

El combustible viejo es la causa principal del mal funcionamiento de la unidad. Asegúrese de usar combustible nuevo, limpio y sin plomo.

**NOTA:** Este es un motor de cuatro ciclos. Para evitar dañar su unidad, **no mezcle el aceite con la gasolina.**

### Definición de los combustibles de mezcla

Los combustibles actuales con frecuencia son una mezcla de gasolina y uno o más oxigenantes como el etano, el metanol o el MTBE (éter). El combustible con mezcla de alcohol absorbe agua. Un porcentaje de agua tan pequeño como el 1% en el combustible puede hacer que el combustible y el aceite se separen. Se forman ácidos mientras está guardado. Cuando use combustible con mezcla de alcohol, use combustible nuevo (almacenado durante menos de 60 días).

### Uso de los combustibles de mezcla

Si decide usar un combustible de mezcla o si su uso es inevitable, le recomendamos que tome las siguientes precauciones:


- Use siempre una mezcla fresca de combustible según lo indica su manual del operador
- Use el aditivo especial de combustible STA-BIL® o uno similar
- Drene el tanque y haga funcionar el motor en seco antes de guardar la unidad

### Uso de aditivos en el combustible

El uso de aditivos en el combustible, como el estabilizador de gasolina STA-BIL® o similar, inhibirá la corrosión y reducirá la formación de depósitos de goma. El uso de aditivos puede evitar que se formen depósitos dañinos en el carburador por hasta ocho (8) meses.


Agregue 23 ml (0,8 de onza) de aditivo por galón de combustible de acuerdo a las instrucciones del envase. No agregue NUNCA los aditivos directamente al tanque de combustible de la unidad.

### CARGA DE COMBUSTIBLE EN LA UNIDAD



**ADVERTENCIA:** Cargue el combustible en un área exterior limpia y bien ventilada. Limpie de inmediato todo combustible que se haya derramado. Evite crear una fuente de encendido con el combustible derramado. No arranque el motor hasta que se hayan evaporado los gases del combustible.

1. Saque la tapa de la gasolina (Fig. 10).



**ADVERTENCIA:** La gasolina es muy inflamable. Los gases pueden explotar si se encienden. Apague siempre el motor y espere que se enfríe antes de cargar el tanque de combustible. No fume mientras llena el tanque. Mantenga las chispas y las llamas lejos del área.

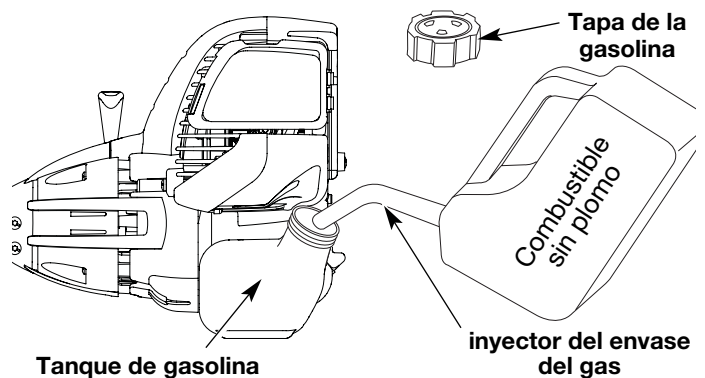



Fig. 10

2. Coloque el pico del recipiente de gasolina en el orificio de llenado del tanque de gasolina (Fig. 10) y llene el tanque.



**ADVERTENCIA:** Saque la tapa del combustible lentamente para evitar lesionarse con el rociado del combustible. No opere nunca la unidad sin la tapa del combustible firmemente colocada en su lugar.

**NOTA:** No llene el tanque demasiado.

3. Limpie toda la gasolina que pueda haberse derramado
4. Vuelva a instalar la tapa de la gasolina.
5. Mueva la unidad por lo menos 9,1 m (30 pies) de la fuente y sitio de carga antes de arrancar el motor.

**NOTA:** Elimine la gasolina vieja de acuerdo a los reglamentos federales, estatales y locales.

## INSTRUCCIONES DE ARRANQUE Y APAGADO



**ADVERTENCIA:** Use esta unidad sólo en un área exterior bien ventilada. Los gases de escape de monóxido de carbono pueden ser letales en un área cerrada.



**ADVERTENCIA:** Evite los arranques accidentales. Colóquese en posición de inicio cuando tire de la cuerda de arranque (Fig. 13). El operador y la unidad deben estar en una posición estable al arrancar la unidad para evitar graves lesiones personales.

Compruebe que cualquier complemento usado se instale correctamente y que esté seguro, antes de poner en marcha la unidad.

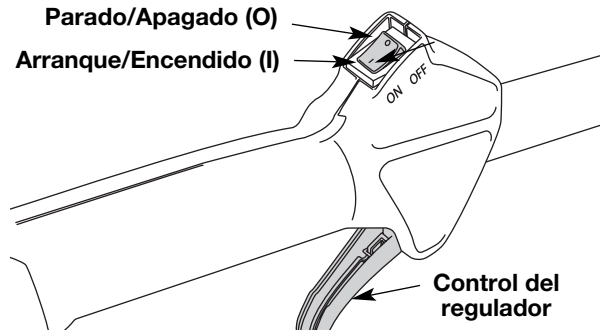


Fig. 11

### INSTRUCCIONES DE ARRANQUE

1. Verifique el nivel de aceite en el cárter del cigüeñal. Lea *Inspección del Nivel de Aceite*.
2. Llene el tanque de combustible con gasolina nueva, limpia y sin plomo.

**NOTA:** No hay necesidad de encender la unidad. El Control de Parada Encendido/Apagado (On/Off) está en la posición Encendido (ON) (I), en todo momento (Fig. 11).

**SI FRÍO...** Para condiciones de clima frío (inferior a 4°C/ 40°F), ponga la Palanca de Arranque en Frío (Fig. 14) en la posición de cerrada/encienda y proceda al paso 3. **NO** mueva esta palanca hacia abajo si la temperatura sobrepasa 4°C (40°F).

3. Oprima completamente el cebador y suéltelo 10 veces. Hágalo lentamente. Se deberá ver un poco de **combustible en el cebador** y en las tuberías de alimentación de combustible (Fig. 12). Si no puede ver el combustible en el cebador, oprímalo y suéltelo tantas veces como sea necesario hasta que vea combustible en el mismo.
4. Soporte en la posición de arranque y **no apriete el control de regulador** (Fig. 13). Tire bruscamente del cordón de arranque hasta 5 a 10 veces.

**SI FRÍO...** Para condiciones de clima frío (inferior a 4°C/ 40°F), regrese la Palanca de Arranque en Frío a la posición abierta/arriba.

5. Oprima el control del regulador para calentar el motor de 5 a 10 segundos. Cuando hace frío, deje que el motor se caliente de 30 a 60 segundos.

**SI...** El motor no arranca, regrese al paso 3.

**SI...** El motor se detiene mientras usted está apretando el acelerador, regrese al paso 4.

### INSTRUCCIONES DE APAGADO

1. Saque la mano del control del regulador. Deje enfriar el motor en mínima.
2. Coloque el control de Encendido/Apagado (On/Off) en posición de **APAGADO (O)**.

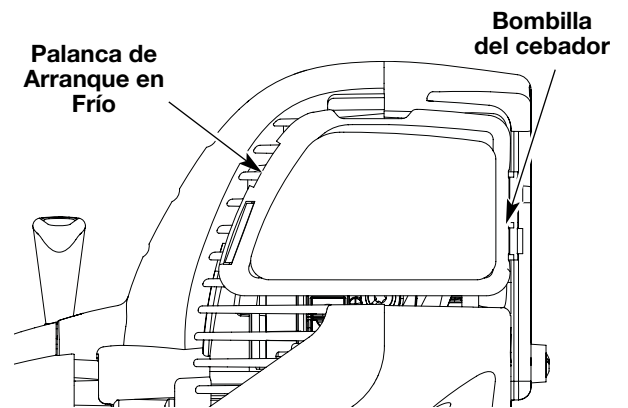


Fig. 12

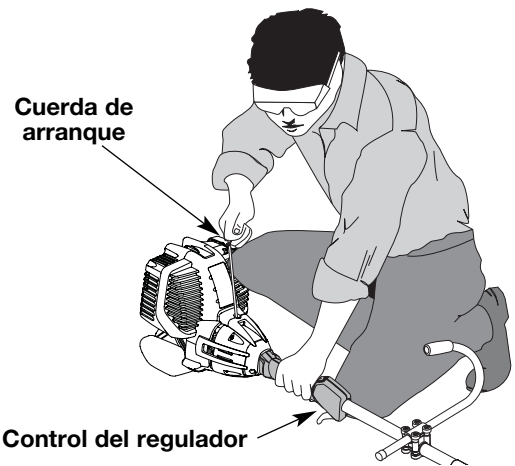


Fig. 13

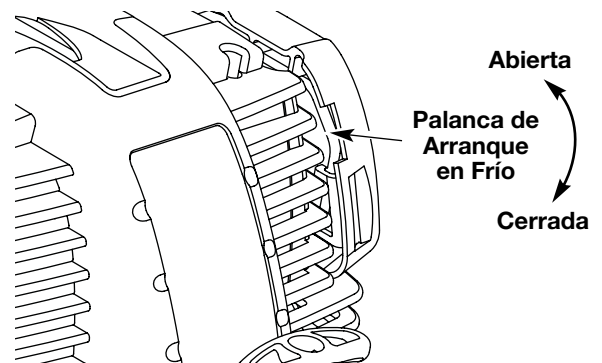


Fig. 14

## INSTRUCCIONES DE OPERACIÓN


### OPERACION DEL SISTEMA RAPID-LINK™


El sistema Rapid-Link™ le permite el uso de estos accesorios optativos:

Recortador/Aspirador .....TBBT\*

\* **NO use este accesorio con un producto eléctrico.**

### Remoción del accesorio de corte u otros accesorios

 **ADVERTENCIA:** Antes de comenzar a usar este accesorio, lea y comprenda el manual que viene con el accesorio. Siga toda la información de seguridad contenida en el mismo.

 **ADVERTENCIA:** Para evitar graves lesiones personales, apague la unidad antes de sacar o instalar accesorios.

1. Gire la perilla en sentido antihorario para aflojarla (Fig. 15).
2. Opima y sostenga el botón de desconexión (Fig. 15).
3. Mientras sostiene el bastidor del eje superior con firmeza, tire del accesorio de corte o accesorio en línea recta fuera del acoplador Rapid-Link™ (Fig. 16).

### Instalación del accesorio de corte u otros accesorios

**NOTA:** Para facilitar la instalación o remoción de los accesorios, coloque la unidad sobre el suelo o sobre un banco de trabajo.

1. Gire la perilla en sentido antihorario para aflojarla (Fig. 15).

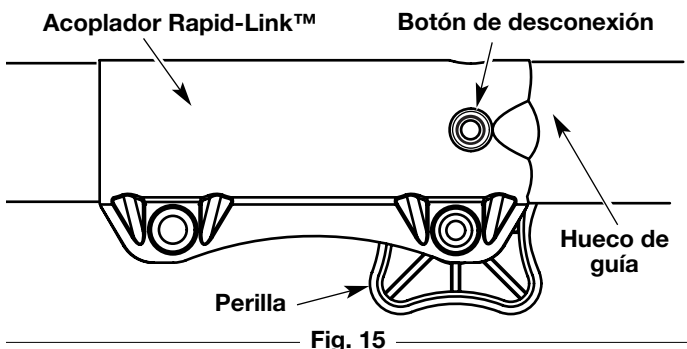


Fig. 15

2. Mientras sostiene el accesorio con firmeza, empújelo en línea recta en el acoplador Rapid-Link™ (Fig. 16).

**NOTA:** La alineación del botón de desconexión con el hueco de guía facilitará la instalación (Fig. 15).

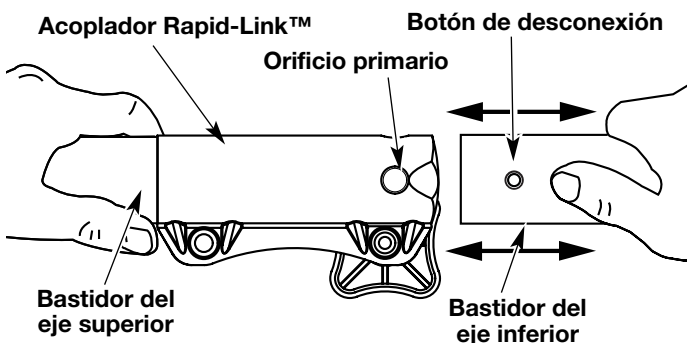



Fig. 16

3. Gire la perilla en sentido horario para ajustarla (Fig. 17).

 **PRECAUCIÓN:** Trabe el botón de desconexión en el orificio primario y ajuste bien la perilla antes de operar esta unidad.

Para recortar bordes mientras usa el accesorio de corte de cabeza de línea con modelos Rapid-Link™, trabe el botón de desconexión en el **orificio lateral de 90°** (Fig. 17).

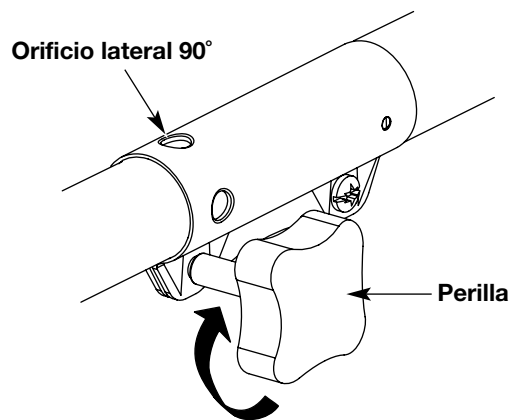




Fig. 17

 **PRECAUCIÓN:** El accesorio de corte y los accesorios con el sistema Rapid-Link™ deben ser usados en el orificio primario a menos que se indique lo contrario en el manual del operador del accesorio. El usar el orificio incorrecto puede conducir a lesiones personales o daño de la unidad.

### COMO SOSTENER EL RECORTADOR

 **ADVERTENCIA:** Use siempre protección para sus ojos, audición, pies y cuerpo para reducir el riesgo de una lesión al operar esta unidad.

Antes de operar esta unidad, párese en posición de operación (Fig. 18). Verifique lo siguiente:

- El operador tiene protección ocular y ropa adecuada.
- El brazo derecho está levemente oblado, y la mano está sosteniendo el mango del eje.
- El brazo izquierdo está recto, y la mano está sosteniendo la manija.
- La unidad está debajo del nivel de la cintura.
- El accesorio de corte está paralelo al suelo y hace fácil contacto con la vegetación que va a ser cortada sin que el operador tenga que inclinarse.

Una vez que usted esté en la posición de funcionamiento, enganche la correa para el hombro a la unidad.

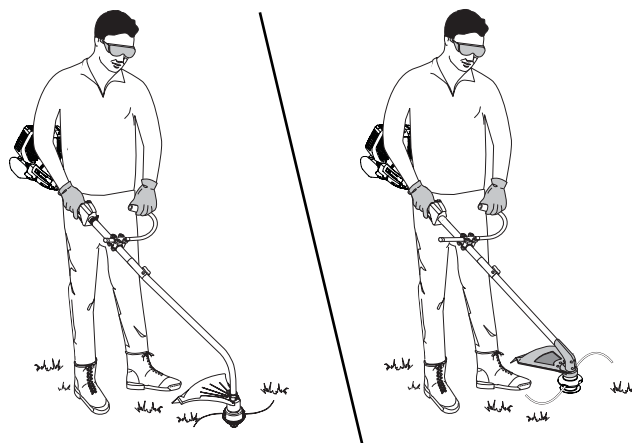


Fig. 18

### CONSEJOS PARA OBTENER MEJORES RESULTADOS AL RECORTAR

- Para mejores resultados que recortan, operar la unidad en válvula de admisión repleta.
- El ángulo correcto para ubicar el accesorio de corte es paralelo al suelo.

## INSTRUCCIONES DE OPERACIÓN

- No fuerce el accesorio de corte. Permita que la punta de la línea realice el corte (en especial a lo largo de paredes). Si corta con más de la punta reducirá la eficacia del corte y puede sobrecargar el motor.
- Corte césped de más de 200 mm (8 pulgadas) trabajando de arriba hacia abajo en pequeños incrementos para evitar el desgaste prematuro de la línea y el arrastre del motor.
- El Corte del derecho de dejar.
- Mueva lentamente el recortador dentro y fuera del área de corte a la altura deseada. Realice movimientos ya sea de adelante hacia atrás y viceversa, o de lado a lado. El corte en longitudes más cortas produce mejores resultados.
- Recorte únicamente cuando el pasto y las hierbas estén secas.
- La vida de su línea de corte depende de:
  - Seguir todas las técnicas de corte indicadas anteriormente
  - El tipo de vegetación que corte
  - El lugar donde se corta

Por ejemplo, la línea se desgastará más rápido cuando corte contra un muro que cuando corte alrededor de un árbol.

### RECORTE DECORATIVO

El recorte decorativo se realiza eliminando toda la vegetación de alrededor de los árboles, postes, cercos, etc.

Gire toda la unidad a modo de que el accesorio de corte se ubique a un ángulo de 30° con el suelo (Fig 19).

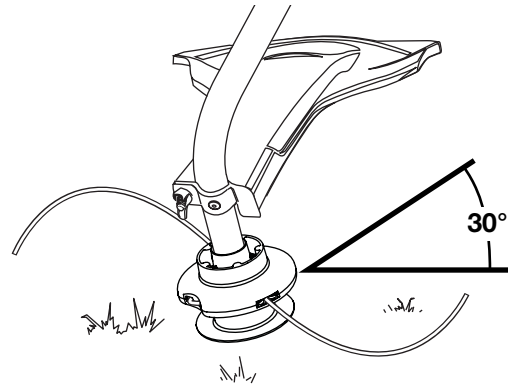


Fig. 19

## INSTRUCCIONES DE OPERACIÓN

### PROGRAMA DE MANTENIMIENTO

Estos procedimientos requeridos para el mantenimiento deben ser realizados con la frecuencia indicada en la tabla. Deben ser incluidos como parte de toda puesta a punto de cada temporada.

**NOTA:** Algunos procedimientos de mantenimiento pueden requerir el uso de herramientas o habilidades especiales. Si no está seguro acerca de estos procedimientos, lleve su unidad a un establecimiento de reparación, persona o distribuidor de servicio autorizado que arregle motores para uso fuera de la carretera.

**NOTA:** El mantenimiento, la sustitución o arreglo de dispositivos para el control de emisiones y sistemas pueden ser hechos por cualquier establecimiento de reparación, persona o proveedor de servicio autorizado que arregle motores para uso fuera de la carretera.



**ADVERTENCIA:** Para evitar lesiones personales graves, nunca realice mantenimiento ni reparaciones con la unidad funcionando. Realice siempre el mantenimiento y las reparaciones con la unidad fría. Desconecte el cable de la bujía de encendido para cerciorarse de que la unidad no arrancará.

| FRECUENCIA  | MANTENIMIENTO REQUERIDO  | CONSULTE                         |
|---|--|----------------------------------|
| Antes de arrancar el motor  | Llene el tanque de combustible con combustible nuevo<br>Inspeccione el aceite  | Page E5<br>Page E9               |
| Cada 10 horas   | Limpie y vuelva a aceitar el filtro de aire  | Page E10                         |
| Primer cambio a las 10 horas<br>Segundo cambio a las 25 horas<br>Cada 25 horas en lo sucesivo | Cambie el aceite<br>Cambie el aceite<br>Limpie el amortiguador de chispas  | Page E9<br>Page E9<br>Page E13   |
| 10 horas en un motor nuevo<br>25 horas<br>Cada 25 horas                                       | Verifique la separación entre el brazo oscilante y la válvula y ajuste<br>Verifique la separación entre el brazo oscilante y la válvula y ajuste<br>Verifique la condición y separación de la bujía de encendido | Page E11<br>Page E11<br>Page E13 |

### INSTALACIÓN DE LA LÍNEA FIJA

Use siempre línea de reemplazo de 2,67 mm (0,105 pulgadas) del fabricante del equipo original. Otras líneas que no sean las especificadas pueden hacer que el motor se recaliente o falle.

Para instalar la línea de corte:

1. Inserte cada extremo de la línea de reemplazo en los orificios a cada lado del gancho de retención (Figura 20).
2. Empuje los extremos hasta que salgan por los lados del cabezal (Figura 21).
3. Tire de los extremos asegurándose de que tengan el

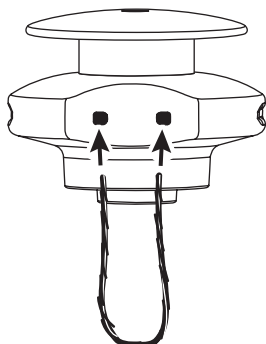


Fig. 20



**ADVERTENCIA:** No use nunca línea reforzada con metal, alambre, cadena ni soga, etc. Estos elementos pueden desprenderse y convertirse en un proyectil peligroso.

4. Si los extremos no tienen el mismo largo, vuelva a introducir un poco el extremo más largo en el cabezal y tire del extremo más corto para compensar. Repita hasta que ambos extremos tengan el mismo largo.

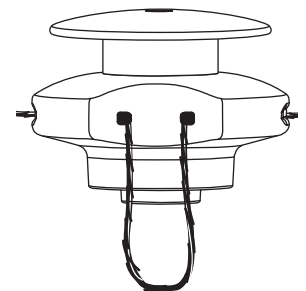


Fig. 21



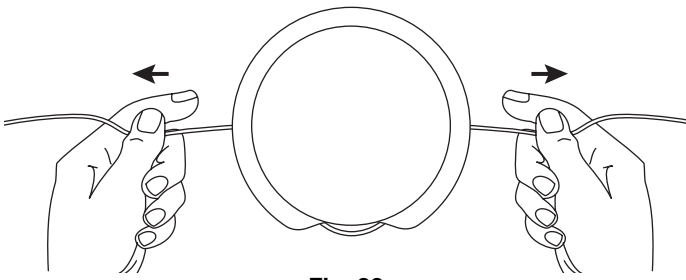


Fig. 22

- Coloque la línea de corte por detrás del gancho para evitar que se suelte cuando está funcionando (Figura 23).

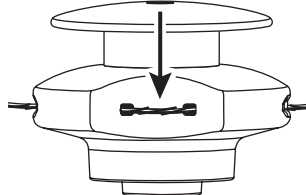


Fig. 23



**ADVERTENCIA:** No saque ni altere el ensamble de la cuchilla limitadora de línea.

**INSPECCION DEL NIVEL DE ACEITE**



**PRECAUCIÓN:** Para evitar un desgaste excesivo del motor y el daño de la unidad, mantenga siempre el nivel de aceite correcto en el cárter del cigüeñal. No opere nunca la unidad con el aceite debajo del extremo inferior de la varilla de medición.

No podemos exagerar la importancia de verificar y mantener el nivel correcto de aceite en el cárter del cigüeñal. Inspeccione el nivel de aceite antes de cada uso:

- Apague el motor y permita que el aceite drene dentro del cárter del cigüeñal.
- Coloque la unidad sobre una superficie plana y nivelada para obtener una lectura correcta del nivel de aceite.
- Mantenga la suciedad, recortes de césped, etc. fuera del motor. Limpie el área alrededor del tapón de relleno de aceite / varilla de medición antes de retirarlo.
- Retire el tapón de relleno de aceite / varilla de medición y seque el aceite. Vuelva a insertarlo completamente hacia adentro.
- Retire el tapón de relleno de aceite / varilla de medición e inspeccione el nivel del aceite. El aceite debe llegar hasta la parte superior de la varilla de medición (Fig. 24).

**Tapón de relleno de aceite / varilla de medición**

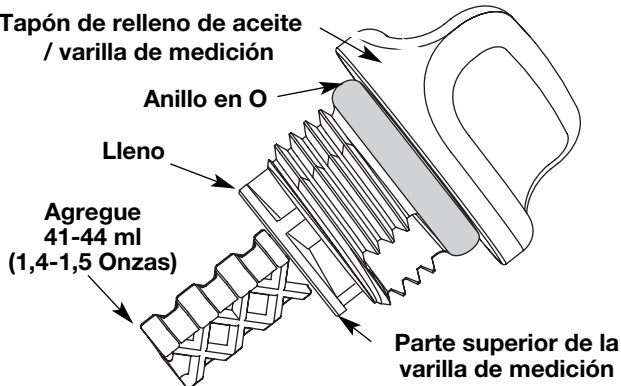


Fig. 24

- Si el nivel está bajo, agregue una pequeña cantidad de aceite en el orificio de llenado de aceite y vuelva a medir (Fig. 25). Repita hasta que el nivel de aceite llegue hasta la parte superior de la varilla de medición.

**NOTA:** No llene demasiado la unidad.

**NOTA:** Verifique que el anillo en O esté en su lugar en el tapón de relleno de aceite / varilla de medición cuando mida y cambie el aceite (Fig. 25).

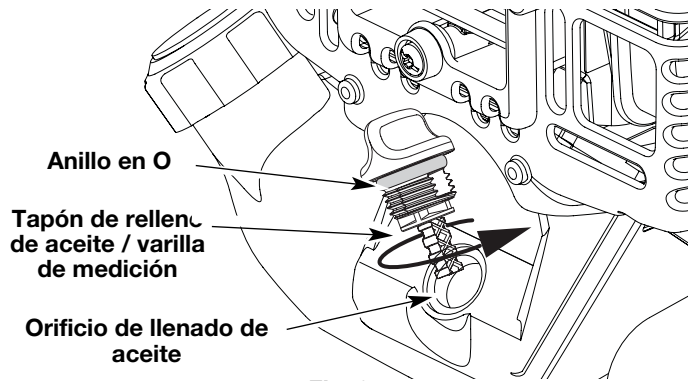


Fig. 25

**CAMBIO DEL ACEITE**

En un motor nuevo, cambie el aceite después de las 10 primeras horas de operación. Cambie el aceite mientras el motor aún está caliente. El aceite fluirá con libertad y llevará más impurezas.

- Desenchufe el manguito de la bujía de encendido para eliminar el arranque.
- Retire el tapón de relleno de aceite / varilla de medición.



**PRECAUCIÓN:** Use guantes para evitar sufrir lesiones cuando maneje la unidad.

- Vierta el aceite fuera del orificio de llenado de aceite en un recipiente inclinando la unidad hasta una posición vertical (Fig. 26). Deje suficiente tiempo como para completar el drenaje.

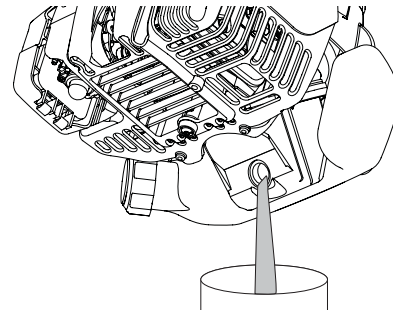


Fig. 26

- Seque todo el aceite residual de la unidad y limpie todo el aceite que pueda haberse derramado. Elimine todo el aceite de acuerdo con las normas federales, estatales y locales.
- Vuelva a cargar el cárter del cigüeñal con 90 ml (3,04 onzas fluidas) de aceite SAE 30 SF, SG, SH.

**NOTA:** Use la botella y la boquilla que guardó del uso inicial para medir la cantidad correcta. El nivel de 100 ml (3,4 onzas) está aproximadamente en la parte superior de la etiqueta de la botella (Fig. 27). Mida el nivel con la varilla de medición. Si el nivel está bajo, agregue una pequeña cantidad de aceite y vuelva a medir (Fig. 27). No lo llene demasiado.

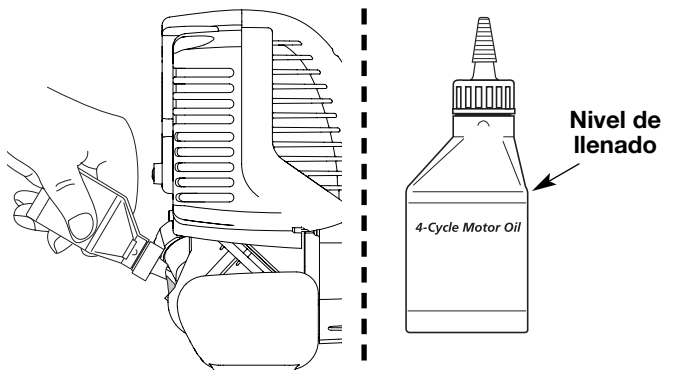


Fig. 27

- Vuelva a colocar el tapón de relleno de aceite/varilla de medición.
- Vuelva a conectar el manguito de la bujía de encendido.

## MANTENIMIENTO DEL FILTRO DE AIRE

### Limpieza del filtro de aire



**ADVERTENCIA:** Para evitar graves lesiones personales, apague siempre su recortador y espere que se enfríe antes de limpiarlo o realizar todo tipo de mantenimiento.

Limpie y vuelva a aceitar el filtro de aire cada 10 horas de operación. Es una de las partes cuyo mantenimiento es importante. No mantener debidamente su filtro de aire puede resultar en funcionamiento inadecuado o puede causar daño permanente a su motor.

1. Abra la cubierta del filtro de aire. Empuje hacia adentro la orejeta del lado derecho de la cubierta, y extraiga la cubierta del filtro de aire hacia afuera y hacia la izquierda (Fig. 28).

**NOTA:** Es posible que deba retirar la tapa de combustible para poder retirar por completo la cubierta del filtro de aire.

2. Retire el filtro de aire (Fig. 28).

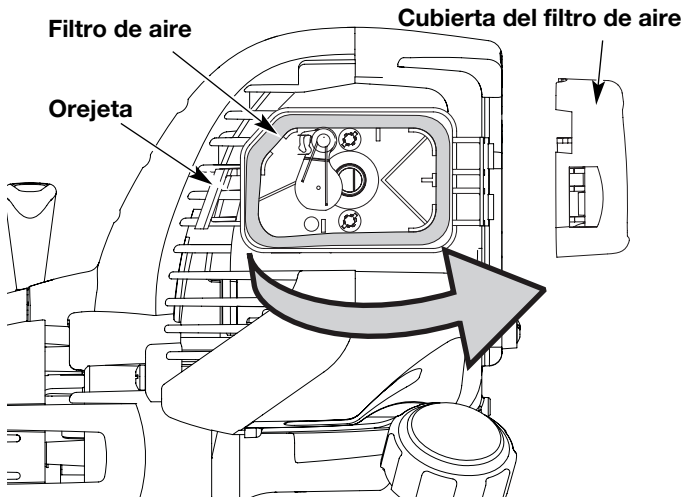


Fig. 28

3. Lave el filtro con agua y detergente (Fig. 29). Enjuague bien el filtro y déjelo secar.

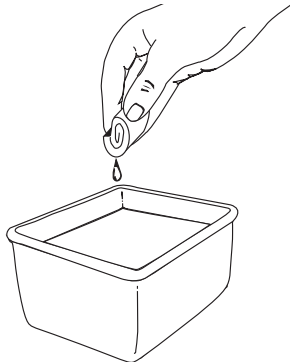


Fig. 29

4. Aplique suficiente aceite limpio de motor SAE 30 para recubrir ligeramente el filtro (Fig. 30).

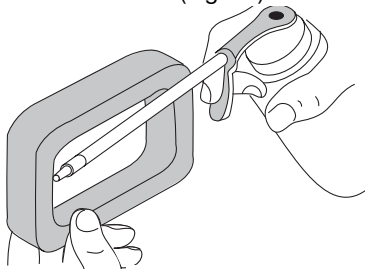


Fig. 30

5. Apriete el filtro para esparcir y retirar el exceso de aceite (Fig. 31).

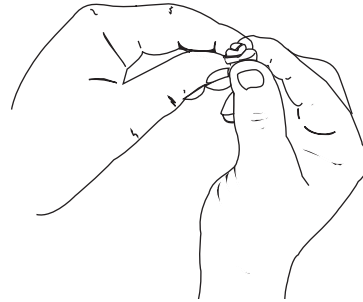


Fig. 31

6. Vuelva a colocar el filtro (Fig. 32).

**NOTA:** Si opera la unidad sin el filtro de aire, su garantía será ANULADA.

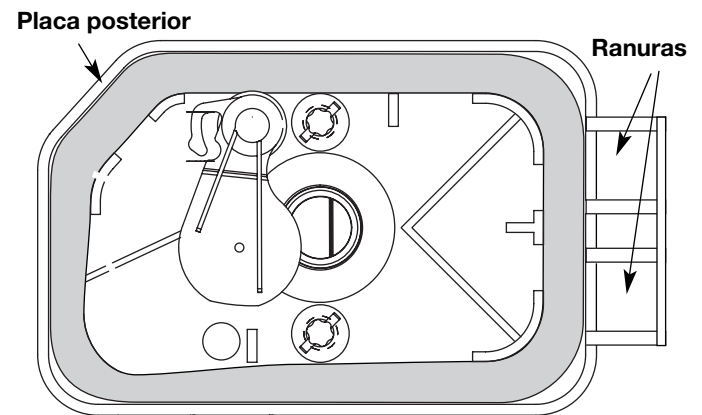


Fig. 32

7. Vuelva a instalar la cubierta del filtro de aire. Coloque los ganchos del lado derecha de la cubierta del filtro de aire en las ranuras del lado derecha de la placa posterior (Fig. 33, no. 1).
8. Mueva la cubierta hacia la izquierda hasta que la orejeta del filtro de aire calce en su lugar en la ranura de la placa posterior (Fig. 33, no. 2).

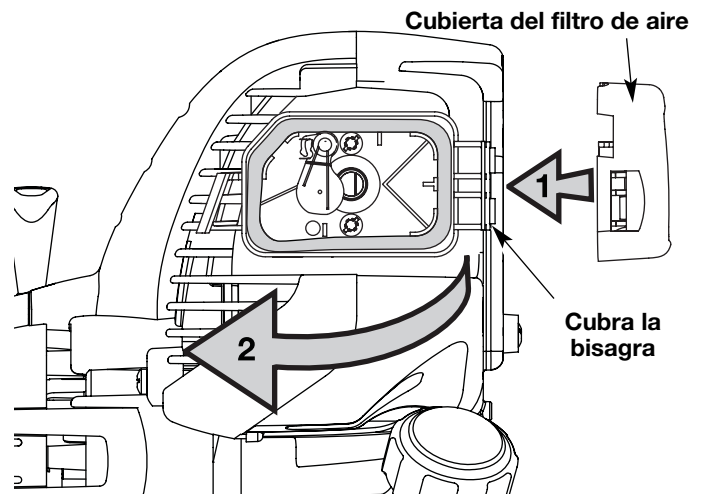


Fig. 33

## AJUSTE DEL CARBURADOR

La velocidad mínima del motor puede ser ajustada. Puede tener acceso al tornillo de ajuste de mínima a través de un orificio en la parte superior de la cubierta del motor (Fig. 34).

**NOTA:** Los ajustes descuidados pueden dañar su motor seriamente. Los ajustes del carburador deben ser realizados por un proveedor de servicio autorizado.

### Inspección del Combustible

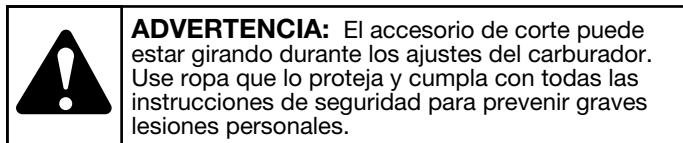
En general, el combustible viejo es el motivo principal para que la unidad no funcione en forma adecuada. Drene y vuelva a llenar el tanque con combustible nuevo, limpio y sin plomo antes de hacer ningún ajuste. Consulte la *Información acerca del Aceite y Combustible*.

### Limpieza del Filtro de Aire

La condición del filtro de aire es importante para el funcionamiento de la unidad. Un filtro de aire sucio limitará el flujo de aire y cambiará la mezcla de aire y combustible. Con frecuencia esto se confunde con un carburador fuera de ajuste. Inspeccione la condición del filtro de aire antes de ajustar el tornillo de velocidad mínima. Consulte la sección de *Mantenimiento del Filtro de Aire*.

### Ajuste del Tornillo de Velocidad Mínima

Si después de inspeccionar el combustible y limpiar el filtro de



**ADVERTENCIA:** El accesorio de corte puede estar girando durante los ajustes del carburador. Use ropa que lo proteja y cumpla con todas las instrucciones de seguridad para prevenir graves lesiones personales.

aire el motor aún no funciona en mínima, ajuste el tornillo de velocidad mínima según se indica a continuación.

1. Arranque el motor y déjelo funcionar a una mínima alta durante un minuto para que se caliente.
2. Suelte el gatillo del regulador y deje que el motor funcione en mínima. Si el motor se para, inserte un destornillador Phillips pequeño o un destornillador de vástago plano en el orificio de la cubierta del motor (Fig. 34). Gire el tornillo de mínima hacia adentro, en sentido horario, de a 1/8 de vuelta por vez (según sea necesario) hasta que el motor funcione en mínima suavemente.

**NOTA:** El accesorio de corte no debe girar cuando el motor está funcionando en mínima.

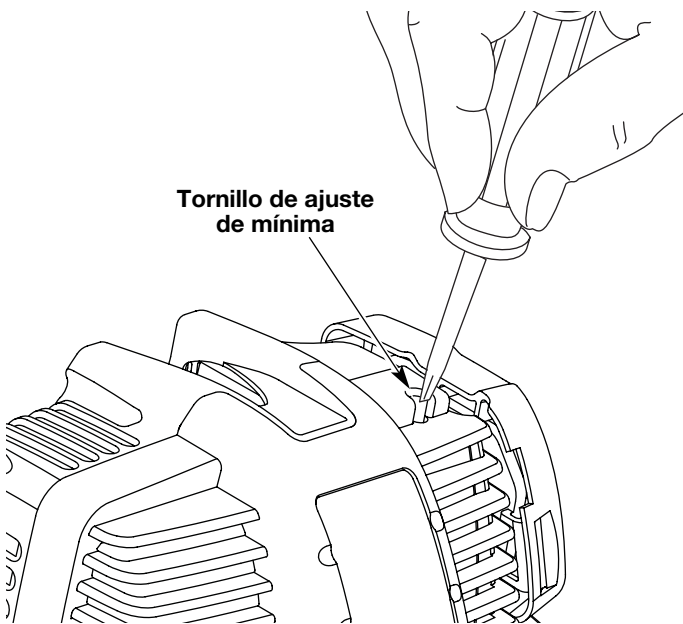


Fig. 34

3. Si el accesorio de corte gira cuando el motor está funcionando en mínima, gire el tornillo de velocidad mínima en sentido antihorario de a 1/8 de vuelta por vez (según sea necesario) para reducir la velocidad mínima.

La inspección del combustible, la limpieza del filtro de aire y el ajuste del tornillo de velocidad mínima debe resolver la mayoría de los problemas del motor. Si esto no sucede, y:

- El motor no funciona en mínima
- El motor fluctúa o se ahoga al acelerarlo
- Existe una pérdida de fuerza motriz

Lleve el carburador a ajustar a un proveedor de servicio autorizado.



**ADVERTENCIA:** Al apagar la unidad, asegúrese de que el accesorio de corte se haya detenido antes de apoyar la unidad para prevenir graves lesiones personales.

## HUELGO DEL BRAZO OSCILANTE

Esto requiere el desarmado del motor. Si usted siente que no está seguro o que no está calificado como para realizar esto, lleve la unidad a un centro de servicio autorizado.

**NOTA:** Inspeccione el huelgo de la válvula del brazo oscilante con una galga después de las primeras 10 horas de operación y luego cada 25 horas de operación en lo sucesivo.

- El motor debe estar frío cuando verifique o ajuste el huelgo de la válvula.
  - Esta tarea debe ser realizada en interiores, en un área limpia y libre de polvo.
1. Quite los cinco (5) Tornillos de posteriora de la cubierta del motor con un destornillador de pala o Torx #20 (Fig. 35).

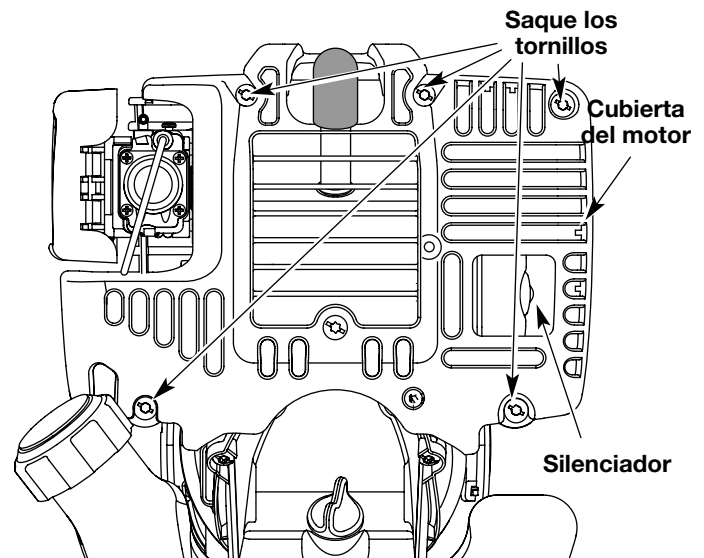


Fig. 35

2. Saque el tornillo que está detrás de la cubierta del motor con un destornillador de pala o Torx #25 (Fig. 36).

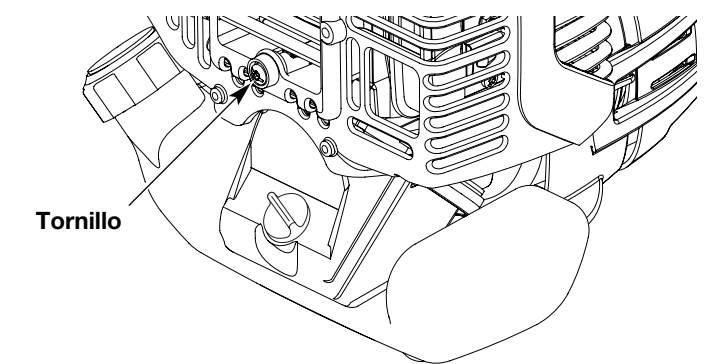
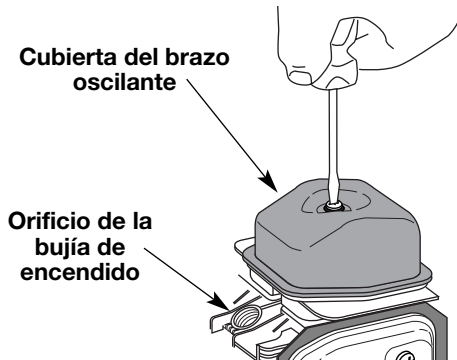


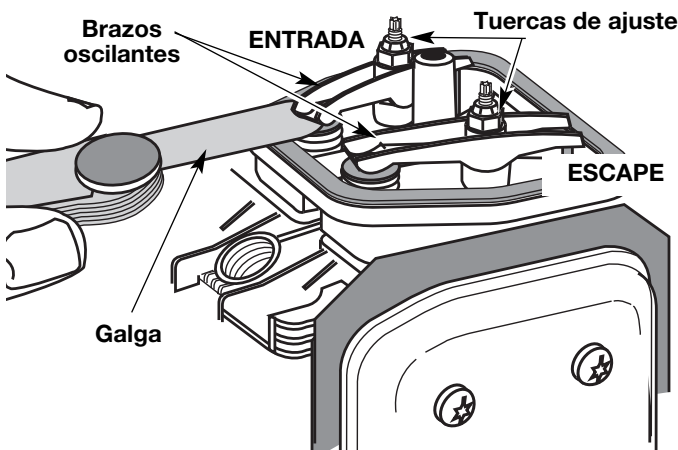
Fig. 36

## INSTRUCCIONES DE MANTENIMIENTO Y REPARACIÓN

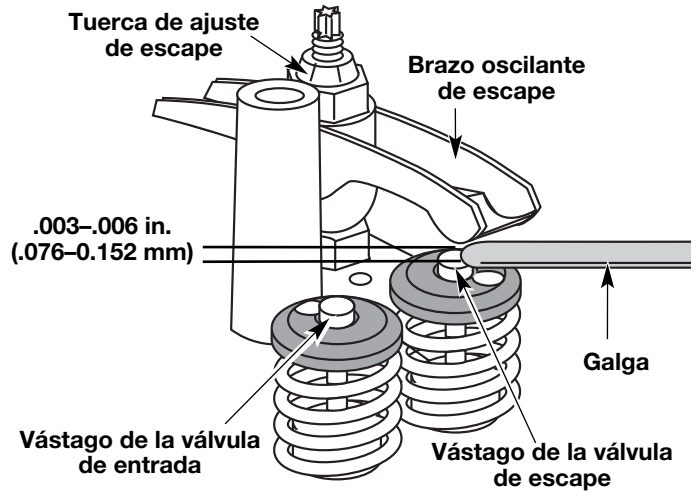
3. Desconecte el cable de la bujía de encendido.
4. Limpie la suciedad de alrededor de la bujía de encendido. Saque la bujía de encendido de la cabeza del cilindro girando un casquillo de 16mm (5/8 pulgadas) en sentido antihorario.
5. Saque la cubierta del motor (Fig. 35 & 36).
6. Limpie la suciedad de alrededor de la cubierta del brazo oscilante. Saque el tornillo que sostiene la cubierta del brazo oscilante con un destornillador grande de vástago plano o con una broca Torx T-25 (Fig. 37). Saque la cubierta y la junta del brazo oscilante.



7. Tire lentamente de la cuerda de arranque para traer el pistón hacia la parte superior de su recorrido (conocido como punto muerto superior). Verifique que:
    - El pistón se encuentre en la parte superior de su recorrido mientras mira dentro del orificio de la bujía de encendido (Fig. 37).
    - Ambos brazos oscilantes se mueven con libertad, y ambas válvulas están cerradas
- De no ser así, repita este paso.
8. Deslice la galga entre el brazo oscilante y el resorte de retorno de la válvula. Mida el huelgo entre el vástago de la válvula y el brazo oscilante (Fig. 38). Realice esto en las válvulas de entrada y de escape



El huelgo recomendado para las válvulas de entrada y de escape es 0,076 – 0,152 mm (0,003 – 0,006 pulgadas). Use un calibrador regular de automóvil de 0,127 mm (0,005 pulgadas). El calibrador debe deslizarse entre el balancín y el vástago de la válvula con una ligera cantidad de resistencia, sin doblarse (Fig. 38 & 39).




9. Si el huelgo no se encuentra dentro de las especificaciones:
  - a. Gire la tuerca de ajuste con una llave de 5/16 pulgadas (8 mm) o una guía de tuercas (Fig. 67).
    - Para incrementar el huelgo, gire la tuerca de ajuste en sentido antihorario.
    - Para reducir el huelgo, gire la tuerca de ajuste en sentido horario.
  - b. Vuelva a inspeccionar ambos huelgos, y ajuste si es necesario.
10. Vuelva a instalar la cubierta del brazo oscilante utilizando una nueva junta. Ajuste el tornillo a 20–30 pulgadas•libra (2.2–3.4 N•m).
11. Vuelva a instalar la cubierta del motor. Verifique la alineación de la cubierta antes de ajustar los tornillos. Ajuste los tornillos.
12. Vuelva a colocar la cubierta del silenciador. Deslice las muescas a los lados de la cubierta del silenciador sobre las orejetas de la cubierta del motor y enganche en su lugar (Fig. 33).
13. Inspeccione la bujía de encendido y vuelva a instalar. Lea *Cambio de la Bujía de encendido*.
14. Vuelva a colocar el cable de la bujía de encendido.

## CAMBIO DE LA BUJÍA DE ENCENDIDO

Use una bujía de encendido **791-180852B**. La separación correcta es de 0,635 mm (0,025 pulg.). Retire la bujía luego de cada 25 horas de operación e inspeccione su estado.

1. Apague el motor y espere que se enfríe. Tome el alambre de la bujía con firmeza y sáquelo de la bujía de encendido.
2. Limpie alrededor de la bujía de encendido. Saque la bujía de encendido de la cabeza del cilindro girando una llave de casquillo de 16 mm (5/8 de pulgada) en sentido antihorario.



**PRECAUCIÓN:** No limpie con chorro de arena, ni raspe ni limpie los electrodos. El motor podría dañarse si penetran pequeñas partículas en el cilindro.

3. Cambie las bujías que estén rajadas, sucias o deterioradas. Fije la separación de aire a 0,635 mm (0,025 pulgadas) utilizando un calibrador (Fig. 40).

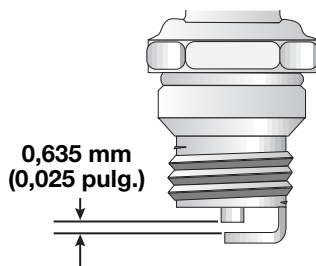


Fig. 40

4. Instale una bujía de encendido con la separación correcta en la cabeza del cilindro. Ajuste girando la llave de casquillo 16 mm (5/8 de pulgada) en sentido horario hasta que esté ajustada sin huelgo.

Si usa una llave de torsión, ajuste a:

**110-120 pulg. • libras (12.3-13.5 N•m)**

**No ajuste demasiado.**

## MANTENIMIENTO DEL AMORTIGUADOR DE CHISPAS

1. Saque la cubierta del amortiguador de chispas. Lea *Huelgo del brazo oscilante*.
2. Con un destornillador de vástago plano o broca Torx T20 y Torx T25, saque el tornillo que conecta la cubierta del amortiguador de chispas al silenciador (Fig. 41).

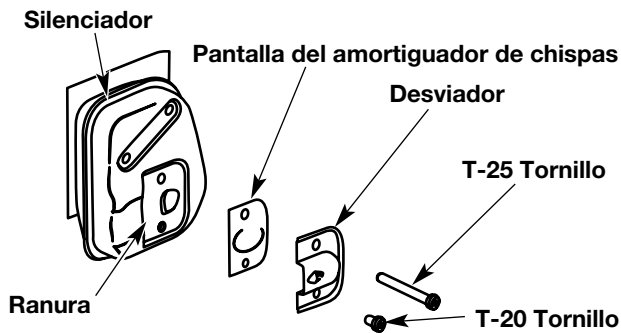


Fig. 41

3. Saque la orejeta de la cubierta del amortiguador de chispas fuera del silenciador. Retire la cubierta del amortiguador de chispas.
4. Saque la pantalla del amortiguador de chispas de la cubierta del amortiguador de chispas.
5. Limpie la pantalla del amortiguador de chispas con un cepillo de alambre, o cámbiela.
6. Vuelva a instalar la pantalla del amortiguador de chispas, la cubierta del amortiguador de chispas y el tornillo.

## LIMPIEZA



**ADVERTENCIA:** Para evitar graves lesiones personales, apague siempre su unidad y espere que se enfríe antes de limpiarlo o realizar cualquier tipo de mantenimiento.

Use un cepillo pequeño para limpiar la parte exterior de la unidad. No use detergentes fuertes. Los limpiadores domésticos que contienen aceites aromáticos como pino y limón, y con solventes como el queroseno pueden dañar el bastidor de plástico y la manija. Seque toda la humedad con un paño suave.

## ALMACENAMIENTO

- No guarde nunca la unidad con combustible en el tanque donde los vapores puedan llegar a una llama o chispa.
- Espere que el motor se enfríe antes de guardar la unidad.
- Guarde la unidad bajo llave para prevenir el uso por personas no autorizadas y su daño.
- Guarde la unidad en un área seca y bien ventilada.
- Guarde la unidad fuera del alcance de los niños.

## ALMACENAMIENTO POR LARGOS PERIODOS DE TIEMPO

Si debe guardar la unidad durante un largo período de tiempo:

1. Drene toda la gasolina del tanque en un recipiente. No use gasolina que haya estado guardada durante más de 60 días. Elimine la gasolina vieja de acuerdo con las normas federales, estatales y locales.
2. Arranque el motor y déjelo funcionar hasta que se ahogue. Esto asegura que toda la gasolina se haya drenado del carburador.
3. Deje enfriar el motor. Saque la bujía de encendido y coloque 5 gotas de aceite de motor de buena calidad en el cilindro. Tire de la cuerda de arranque lentamente para distribuir el aceite. Vuelva a instalar la bujía de encendido.

**NOTA:** Saque la bujía de encendido y drene todo el aceite del cilindro antes de intentar usar el recortador luego de haber estado guardado.

4. Cambie el aceite. Lea *Cambio del Aceite*. Elimine el aceite viejo de acuerdo con las normas federales, estatales y locales.
5. Limpie bien la unidad y verifique que no existan partes flojas ni dañadas. Repare o cambie las partes dañadas y ajuste los tornillos, las tuercas o los pernos que estén flojos. La unidad está lista para ser guardada.

## TRANSPORTE

- Deje enfriar el motor antes de transportar la unidad.
- Asegure la unidad durante su transporte.
- Drene el tanque de gasolina antes de transportar la unidad.
- Ajuste la tapa de la gasolina antes de transportar la unidad.

## RESOLUCIÓN DE PROBLEMAS

### EL MOTOR NO ARRANCA

| CAUSA  | ACCIÓN  |
|--|---|
| El tanque de combustible está vacío  | Llene el tanque con combustible bien mezclado   |
| La bombilla de cebado no fue oprimida lo suficiente  | Oprima la bombilla de cebado total y lentamente de 10 veces   |
| El combustible es viejo  | Drene el tanque de gasolina / Agregue combustible nueva   |
| La bujía de encendido está arruinada   | Cambie o limpie la bujía de encendido   |
| Parachispas obstruido  | Limpie o cambie el parachispas  |
| La Palanca de Arranque en Frío está en la posición CERRADA (cuando la temperatura exterior sobrepasa 4°C (40°F))             | Regrese la Palanca de Arranque en Frío a la posición ABIERTA/ ARRIBA                                    |
| La Palanca de Arranque en Frío está en la posición ABIERTA/ ARRIBA (cuando la temperatura exterior es inferior a 4°C (40°F)) | Regrese la Palanca de Arranque en Frío a la posición CERRADA y lea las <i>instrucciones de Arranque</i> |

### EL MOTOR NO FUNCIONA EN MINIMA

| CAUSA                          | ACCIÓN   |
|--------------------------------|--|
| Filtre à air bouché            | Remplacez ou nettoyez-le   |
| Carburant vieux                | Drainez le réservoir/ajoutez du carburant frais                              |
| Mauvais réglage du carburateur | Ajustez selon l'instruction ou faites-le régler par un concessionnaire agréé |

### EL MOTOR NO ACELERA

| CAUSA                                | ACCIÓN   |
|--------------------------------------|--|
| Carburant vieux                      | Drainez le réservoir/ajoutez du carburant frais                              |
| Mauvais réglage du carburateur       | Ajustez selon l'instruction ou faites-le régler par un concessionnaire agréé |
| Accessoire de coupe engorgé d'herbes | Arrêtez le moteur et nettoyez l'accessoire                                   |
| Filtre à air sale                    | Remplacez ou nettoyez-le   |
| Pare-étincelles colmaté              | Nettoyez ou remplacez le pare-étincelles                                     |

### EL MOTOR NO TIENE SUFICIENTE POTENCIA O SE AHOGA AL CORTAR

| CAUSA                          | ACCIÓN   |
|--------------------------------|--|
| Carburant vieux                | Drainez le réservoir/ajoutez du carburant frais                              |
| Mauvais réglage du carburateur | Ajustez selon l'instruction ou faites-le régler par un concessionnaire agréé |
| Bougie encrassée               | Remplacez ou nettoyez-la   |
| Pare-étincelles colmaté        | Nettoyez ou remplacez le pare-étincelles                                     |

**Si necesita asistencia adicional, comuníquese con su proveedor de servicio autorizado.**

## ESPECIFICACIONES

### MOTOR\*

|   |                                  |
|---|----------------------------------|
| Tipo de motor.....                                | Enfriado por aire, 4 ciclos      |
| Desplazamiento .....                              | 1.6 pulgadas cúbicas (26.2 cc)   |
| Tipo de embrague .....                            | Centrífugo                       |
| R.P.M. de operación .....                         | 6,800 - 9,300 r.p.m.             |
| R.P.M. de velocidad mínima .....                  | 2,800 - 3,600 r.p.m.             |
| Tipo de encendido .....                           | Electrónico                      |
| Interruptor de encendido .....                    | Interruptor oscilante            |
| Huelgo de la válvula .....                        | 0.003–0.006 pulg. (.076–.152 mm) |
| Separación de la bujía de encendido.....          | 0.025 pulg. (0.635 mm)           |
| Lubricación.....                                  | Aceite SAE 30                    |
| Capacidad de aceite del cárter del cigüeñal ..... | 3.04 onzas (90 ml)               |
| Combustible.....                                  | Sin plomo                        |
| Carburador .....                                  | Diafragma, multiposicional       |
| Arranque.....                                     | Bobinado automático              |
| Silenciador .....                                 | Amortiguado con protección       |
| Regulador .....                                   | Retorno manual del resorte       |
| Capacidad del tanque de combustible.....          | 18 onzas (532 ml)                |

### EJE IMPULSOR Y ACCESORIO DE CORTE\*

|  |   |
|--|---|
| Bastidor del eje impulsor .....  | Tubo de acero (Rapid-Link™)                                       |
| Control del regulador.....   | Gatillo para el dedo  |
| Peso de la unidad (sin combustible, con la manija, accesorio de corte y protector) | CC4125..... 11.7 libras (6 kg)<br>CC4175.....14.5 libras (6.5 kg) |
| Mecanismo de corte:.....   | Cabeza de corte con línea fija                                    |
| Diámetro de bobina de línea: .....   | 3 pulgadas (76.2 mm)  |
| Diámetro de línea de corte: .....  | 0.105 pulgadas (2.67 mm)  |
| CC4025 & CC4075 Diámetro de la trayectoria de corte .....                          | 16 pulgadas (406.4 cm)  |

\* Toda las especificaciones contenidas en este manual se basan en la información más reciente disponible en el momento de impresión del manual. Nos reservamos el derecho de hacer cambios en cualquier momento sin aviso previo.

# GARANTÍA LIMITADA DEL FABRICANTE PARA:

# Cub Cadet

Cub Cadet LLC concede la garantía limitada establecida debajo para mercancías nuevas que sean compradas y usadas en los Estados Unidos, sus posesiones y territorios.

Cub Cadet LLC garantiza este producto contra defectos en el material y la mano de obra durante un periodo de dos (2) años, a partir de la fecha de compra original y a su entera discreción, arreglará o substituirá sin costo alguno cualquier pieza cuyo material o mano de obra se considere defectuoso. Esta garantía limitada se deberá aplicar únicamente si este producto ha sido manejado y mantenido de acuerdo al Manual del Operario incluido con el producto y, si no ha sido sometido a mal uso, abuso, uso comercial, negligencia, accidente, mantenimiento inapropiado, alteración, vandalismo, hurto, fuego, agua o daños debidos a otros riesgos o desastre natural. Los daños ocasionados por la instalación o el uso de cualquier accesorio o aditamento que no esté aprobado por Cub Cadet y que sea usado con el (los) producto(s) contemplados en este manual, anularán la garantía con respecto a cualquier daño resultante. Esta garantía está limitada a noventa (90) días a partir de la fecha de compra original al detalle de cualquier producto Cub Cadet que se use para alquiler, para propósitos comerciales o cualquier otro propósito que genere ingresos.

**CÓMO OBTENER SERVICIO:** El servicio de garantía está disponible A TRAVÉS DE SU DISTRIBUIDOR DE SERVICIO LOCAL AUTORIZADO, AL PRESENTAR EL COMPROBANTE DE COMPRA. Para localizar al distribuidor en su área, visite nuestro sitio en Internet en [www.cubcadet.com](http://www.cubcadet.com), busque el aviso clasificado en las Páginas Amarillas, llame al **1-877-282-8684** o escriba a Cub Cadet LLC, PO Box 361131, Cleveland, OH 44136-0019.

**Esta garantía limitada no ofrece cobertura en los siguientes casos:**

- A. Sincronizaciones - bujías, ajustes de carburadores, filtros.
- B. Artículos de desgaste, perillas percusivas, carretes externos, línea de corte, carretes internos, polea de arranque, cuerdas de arranque, correas motoras.
- C. Cub Cadet no le ofrece ninguna garantía a los productos que sean vendidos o exportados fuera de los Estados Unidos de América, sus posesiones y territorios, excepto aquellos que se vendan a través de los canales de distribución para exportación autorizados por Cub Cadet.

Cub Cadet se reserva el derecho a cambiar o mejorar el diseño de cualquier producto Cub Cadet, sin adoptar ninguna obligación para modificar cualquier producto fabricado con anterioridad.

**Ninguna garantía implícita es aplicable después del período de aplicabilidad de la garantía expresa escrita con anterioridad, incluyendo cualquier garantía implícita de comerciabilidad o idoneidad para un propósito particular con respecto a las piezas identificadas. Exceptuando lo mencionado anteriormente, ninguna otra garantía expresa bien sea escrita o verbal con respecto a cualquier producto que sea concedida por cualquier persona o entidad, incluyendo al distribuidor o minorista, deberá comprometer a Cub Cadet LLC durante el período de la Garantía, el remedio exclusivo es el arreglo o la sustitución del producto según lo establecido anteriormente.** (Algunos estados no permiten limitaciones en cuanto al período de duración de una garantía implícita, de manera que puede que la limitación anterior no sea aplicable en su caso.)

**Las estipulaciones establecidas en esta Garantía ofrecen la solución única y exclusiva que resulte de las ventas. Cub Cadet no deberá ser responsable de pérdidas o daños incidentales o consecuentes que incluyan, sin limitación, gastos incurridos debido a la sustitución de servicios de mantenimiento de prados, transporte o gastos relacionados, o gastos de alquiler para reemplazar temporalmente un producto bajo garantía.** (Algunos estados no permiten limitaciones en cuanto al período de duración de una garantía implícita, de manera que puede que la limitación anterior no sea aplicable en su caso.)

Ningún tipo de recuperación deberá ser superior al precio de compra del producto vendido, en ningún caso. La alteración de las características de seguridad del producto deberá anular esta Garantía. Usted adopta el riesgo y la obligación de la pérdida, daño o lesión en su persona o a su propiedad y/o la de otras personas y sus propiedades, que se origine a raíz del uso o mal uso, o la incompetencia para usar el producto.

Esta garantía limitada no deberá cubrir a ninguna otra persona distinta al comprador original, arrendatario original, o la persona para la cual se compró en calidad de regalo.

Relación de las leyes estatales con esta Garantía: Esta garantía le confiere derechos legales específicos, y puede que usted también tenga otros derechos, los cuales varían en cada estado.

Para localizar al distribuidor de servicio local más cercano, marque el número **1-877-282-8684**.

**Cub Cadet LLC**

PO Box 361131

Cleveland, OH 44136-0019



## Free Manuals Download Website

<http://myh66.com>

<http://usermanuals.us>

<http://www.somanuals.com>

<http://www.4manuals.cc>

<http://www.manual-lib.com>

<http://www.404manual.com>

<http://www.luxmanual.com>

<http://aubethermostatmanual.com>

Golf course search by state

<http://golfingnear.com>

Email search by domain

<http://emailbydomain.com>

Auto manuals search

<http://auto.somanuals.com>

TV manuals search

<http://tv.somanuals.com>