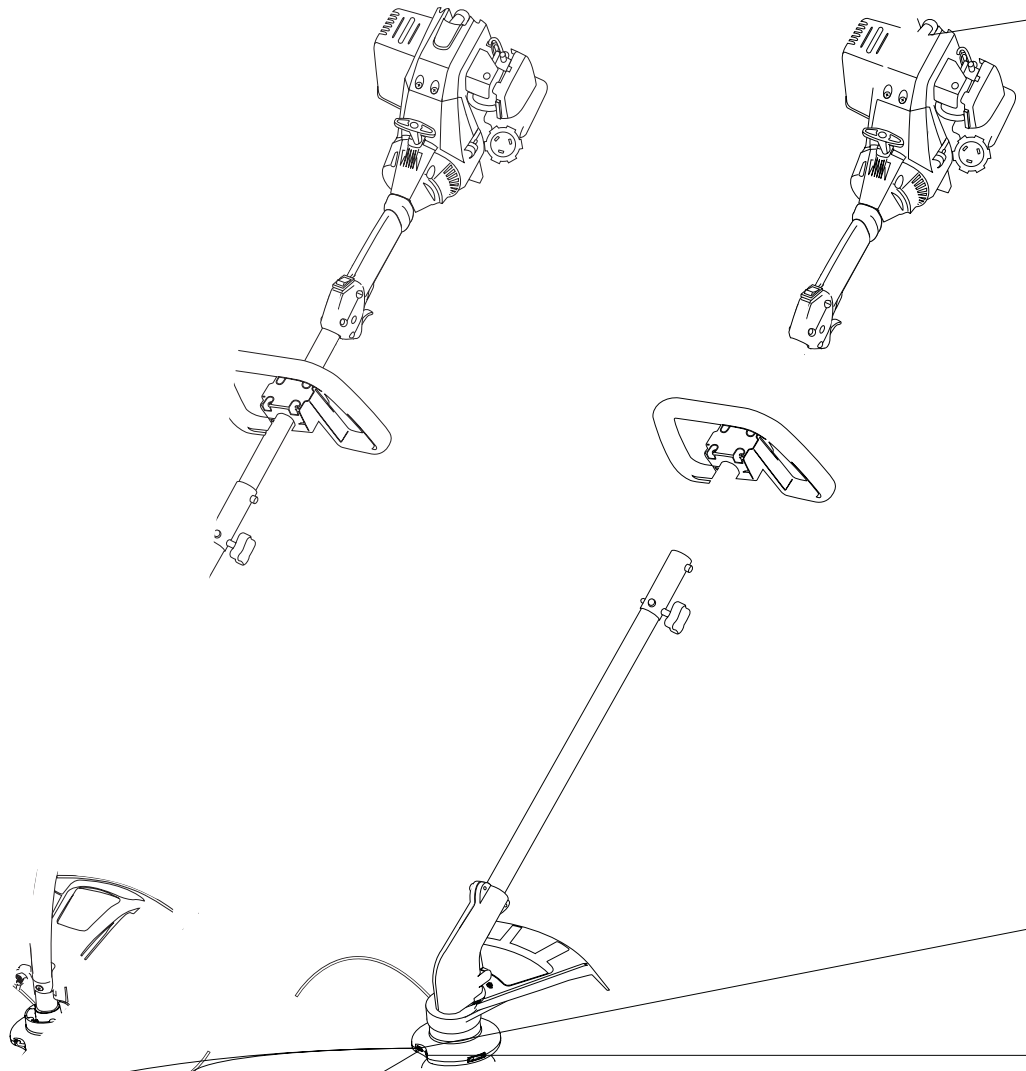


# E. 's Ma



## 4-Cycle Gas Trimmers

**IMPORTANT: READ SAFETY RULES AND INSTRUCTIONS CAREFULLY**

# INTRODUCTION

## THANK YOU

Thank you for buying this quality product. This modern outdoor power tool will provide many hours of useful service. You will find it to be a great labor-saving device. This operator's manual provides you with easy-to-understand operating instructions. Read the whole manual and follow all the instructions to keep your new outdoor power tool in top operating condition.

## PRODUCT REFERENCES, ILLUSTRATIONS AND SPECIFICATIONS

All information, illustrations, and specifications in this manual are based on the latest product information available at the time of printing. We reserve the right to make changes at any time without notice.

Copyright© 2007 MTD SOUTHWEST INC, All Rights Reserved.

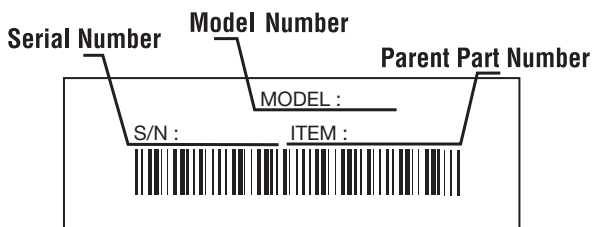
## SERVICE INFORMATION

Service on this unit both within and after the warranty period should be performed only by an authorized and approved service dealer.

For service call **1-800-800-7310** to obtain a list of authorized service dealers near you. For more details about your unit, visit our website at [www.mtdproducts.com](http://www.mtdproducts.com).

## DO NOT RETURN THE UNIT TO THE RETAILER. PROOF OF PURCHASE WILL BE REQUIRED FOR WARRANTY SERVICE.

Before beginning, locate the unit's model plate. It lists the model and serial numbers of your unit. Refer to the sample plate below and copy the information for future reference.



Copy the model and parent part number here: \_\_\_\_\_

Copy the serial number here: \_\_\_\_\_

*Make sure you carefully read and understand this manual before starting or operating this equipment.*

THIS PRODUCT IS COVERED BY ONE OR MORE U.S. PATENTS. OTHER PATENTS PENDING.

## TABLE OF CONTENTS

Service Information	2
Rules for Safe Operation	3
Know Your Unit	6
Assembly Instructions	7
Oil and Fuel Information	8
Starting/Stopping Instructions	10
Operating Instructions	11
Maintenance and Repair Instructions	13
Cleaning and Storage	18
Troubleshooting Chart	19
Specifications	20
Warranty Information	22
Parts List	E22

## SPARK ARRESTOR NOTE

**NOTE: For users on U.S. Forest Land and in the states of California, Maine, Oregon and Washington.** All U.S. Forest Land and the state of California (Public Resources Codes 4442 and 4443), Oregon and Washington require, by law that certain internal combustion engines operated on forest brush and/or grass-covered areas be equipped with a spark arrestor, maintained in effective working order, or the engine be constructed, equipped and maintained for the prevention of fire. Check with your state or local authorities for regulations pertaining to these requirements. Failure to follow these requirements could subject you to liability or a fine. **This unit is factory equipped with a spark arrestor.** If it requires replacement, ask your LOCAL SERVICE DEALER to install the **Accessory Part #791-180890 Spark Arrestor Kit.**

## CALIFORNIA PROPOSITION 65 WARNING



# RULES FOR SAFE OPERATION

The purpose of safety symbols is to attract your attention to possible dangers. The safety symbols, and their explanations, deserve your careful attention and understanding. The safety warnings do not by themselves eliminate any danger. The instructions or warnings they give are not substitutes for proper accident prevention measures.

SYMBOL	MEANING
--------	---------



**SAFETY ALERT:** Indicates danger, warning or caution. Attention is required in order to avoid serious personal injury. May be used in conjunction with other symbols or pictographs.

**NOTE:** Advises you of information or instructions vital to the operation or maintenance of the equipment.

**Read the Operator's Manual(s) and follow all warnings and safety instructions.**

**Failure to do so can result in serious injury to the operator and/or bystanders.**

**FOR QUESTIONS, CALL 1-800-800-7310**

SYMBOL	MEANING
--------	---------



**DANGER:** Failure to obey a safety warning will result in serious injury to yourself or to others. Always follow the safety precautions to reduce the risk of fire, electric shock and personal injury.



**WARNING:** Failure to obey a safety warning can result in injury to yourself and others. Always follow the safety precautions to reduce the risk of fire, electric shock and personal injury.



**CAUTION:** Failure to obey a safety warning may result in property damage or personal injury to yourself or to others. Always follow the safety precautions to reduce the risk of fire, electric shock and personal injury.

## • IMPORTANT SAFETY INSTRUCTIONS •

### READ ALL INSTRUCTIONS BEFORE OPERATING



**WARNING:** When using the unit, you must follow the safety rules. Please read these instructions before operating the unit in order to ensure the safety of the operator and any bystanders. Please keep these instructions for later use.

- Read the instructions carefully. Be familiar with the controls and proper use of the unit.
- Do not operate this unit when tired, ill, or under the influence of alcohol, drugs, or medication.
- Children and teens under the age of 15 must not use the unit, except for teens guided by an adult.
- All guards and safety attachments must be installed properly before operating the unit.
- Inspect the unit before use. Replace damaged parts. Check for fuel leaks. Make sure all fasteners are in place and secure. Replace parts that are cracked, chipped, or damaged in any way. Do not operate the unit with loose or damaged parts.
- Carefully inspect the area before starting the unit. Remove all debris and hard or sharp objects such as glass, wire, etc.

- Be aware of the risk of injury to the head, hands and feet.
- Clear the area of children, bystanders, and pets. At a minimum, keep all children, bystanders, and pets outside a 50 feet (15 m.) radius; there still may be a risk to bystanders from thrown objects. Bystanders should be encouraged to wear eye protection. If you are approached, stop the unit immediately.
- Use only 0.105 inch, 2.67 mm diameter original equipment manufacturer replacement line. Never use metal-reinforced line, wire or rope. These can break off and become dangerous projectiles.
- Squeeze the throttle control and check that it returns automatically to the idle position. Make all adjustments or repairs before using unit.

### SAFETY WARNINGS FOR GAS UNITS

- Store fuel only in containers specifically designed and



**WARNING:** Gasoline is highly flammable, and its vapors can explode if ignited. Take the following precautions:

- approved for the storage of such materials.
- Avoid creating a source of ignition for spilled fuel. Do not start the engine until fuel vapors dissipate.

# RULES FOR SAFE OPERATION

- Always stop the engine and allow it to cool before filling the fuel tank. Never remove the fuel tank cap or add fuel when the engine is hot. Never operate the unit without the fuel cap securely in place. Loosen the fuel tank cap slowly to relieve any pressure in the tank.
- Add fuel in a clean, well-ventilated outdoor area where there are no sparks or flames. Remove the fuel cap slowly, and only after the engine stops. Do not smoke while fueling. Wipe up any spilled fuel from the unit immediately.
- Avoid creating a source of ignition for spilled fuel. Do not start the engine until fuel vapors dissipate.
- Move the unit at least 30 feet (9.1 m) from the fueling source and site before starting the engine. Do not smoke. Keep sparks and open flames away from the area while adding fuel or operating the unit.

## WHILE OPERATING

- Never start or run the unit inside a closed room or building. Breathing exhaust fumes can be fatal. Operate this unit only in a well-ventilated outdoor area.
- Wear safety glasses or goggles that meet ANSI Z87.1 standards and are marked as such. Wear ear/hearing protection when operating this unit. Wear a face or dust mask if the operation is dusty.
- Wear heavy long pants, boots, gloves and a long sleeve shirt. Do not wear loose clothing, jewelry, short pants, sandals or go barefoot. Secure hair above shoulder level.
- The cutting attachment shield must always be in place while operating the unit as a trimmer. Do not operate unit without both trimming lines extended, and the proper line installed. Do not extend the trimming line beyond the length of the shield.
- This unit has a clutch. The cutting attachment remains stationary when the engine is idling. If it does not, have the unit adjusted by an authorized service technician.
- Adjust the handle to your size in order to provide the best grip.
- Be sure the cutting attachment is not in contact with anything before starting the unit.
- Use the unit only in daylight or good artificial light.
- Avoid accidental starting. Be in the starting position whenever pulling the starter rope. The operator and unit must be in a stable position while starting. Refer to *Starting/Stopping Instructions*.
- Use the right tool. Only use this tool for its intended purpose.
- Do not overreach. Always keep proper footing and balance.

- Always hold the unit with both hands when operating. Keep a firm grip on both handles or grips.
- Keep hands, face, and feet at a distance from all moving parts. Do not touch or try to stop the cutting attachment when it rotates.
- Do not touch the engine, gear housing or muffler. These parts get extremely hot from operation, even after the unit is turned off.
- Do not operate the engine faster than the speed needed to cut, trim or edge. Do not run the engine at high speed when not cutting.
- Always stop the engine when cutting is delayed or when walking from one cutting location to another.
- If you strike or become entangled with a foreign object, stop the engine immediately and check for damage. Do not operate before repairing damage. Do not operate the unit with loose or damaged parts.
- Stop the unit, switch the engine to off, and disconnect the spark plug for maintenance or repair.
- Use only original equipment manufacturer replacement parts and accessories for this unit. These are available from your authorized service dealer. Use of any unauthorized parts or accessories could lead to serious injury to the user, or damage to the unit, and void your warranty.
- Keep unit clean of vegetation and other materials. They may become lodged between the cutting attachment and shield.
- To reduce fire hazard, replace a faulty muffler and spark arrestor. Keep the engine and muffler free from grass, leaves, excessive grease or carbon build up.

## OTHER SAFETY WARNINGS

- Never store a fueled unit inside a building where fumes may reach an open flame or spark.
- Allow the engine to cool before storing or transporting. Be sure to secure the unit while transporting.
- Store the unit in a dry area, locked up or up high to prevent unauthorized use or damage, out of the reach of children.
- Never douse or squirt the unit with water or any other liquid. Keep handles dry, clean and free from debris. Clean after each use, see *Cleaning and Storage* instructions.
- Keep these instructions. Refer to them often and use them to instruct other users. If you loan someone this unit, also loan them these instructions.

**SAVE THESE  
INSTRUCTIONS**

# RULES FOR SAFE OPERATION

## SAFETY AND INTERNATIONAL SYMBOLS

This operator's manual describes safety and international symbols and pictographs that may appear on this product. Read the operator's manual for complete safety, assembly, operating and maintenance and repair information.

### SYMBOL



### MEANING

#### • SAFETY ALERT SYMBOL

Indicates danger, warning, or caution. May be used in conjunction with other symbols or pictographs.



#### • WARNING - READ OPERATOR'S MANUAL

Read the Operator's Manual(s) and follow all warnings and safety instructions. Failure to do so can result in serious injury to the operator and/or bystanders.



#### • WEAR EYE AND HEARING PROTECTION

**WARNING:** Thrown objects and loud noise can cause severe eye injury and hearing loss. Wear eye protection meeting ANSI Z87.1-1989 standards and ear protection when operating this unit. Use a full face shield when needed.



#### • KEEP BYSTANDERS AWAY

**WARNING:** Keep all bystanders, especially children and pets, at least 50 feet (15 m.) from the operating area.



#### • UNLEADED FUEL

Always use clean, fresh unleaded fuel.



#### • THROWN OBJECTS AND ROTATING CUTTER CAN CAUSE SEVERE INJURY

**WARNING:** Do not operate without the cutting attachment shield in place. Keep away from the rotating cutting attachment.

### SYMBOL



### MEANING

#### • ON/OFF STOP CONTROL

ON / START / RUN



#### • ON/OFF STOP CONTROL

OFF or STOP



#### • HOT SURFACE WARNING

Do not touch a hot muffler or cylinder. You may get burned. These parts get extremely hot from operation. When turned off they remain hot for a short time.



#### • OIL

Refer to operator's manual for the proper type of oil.

# KNOW YOUR UNIT

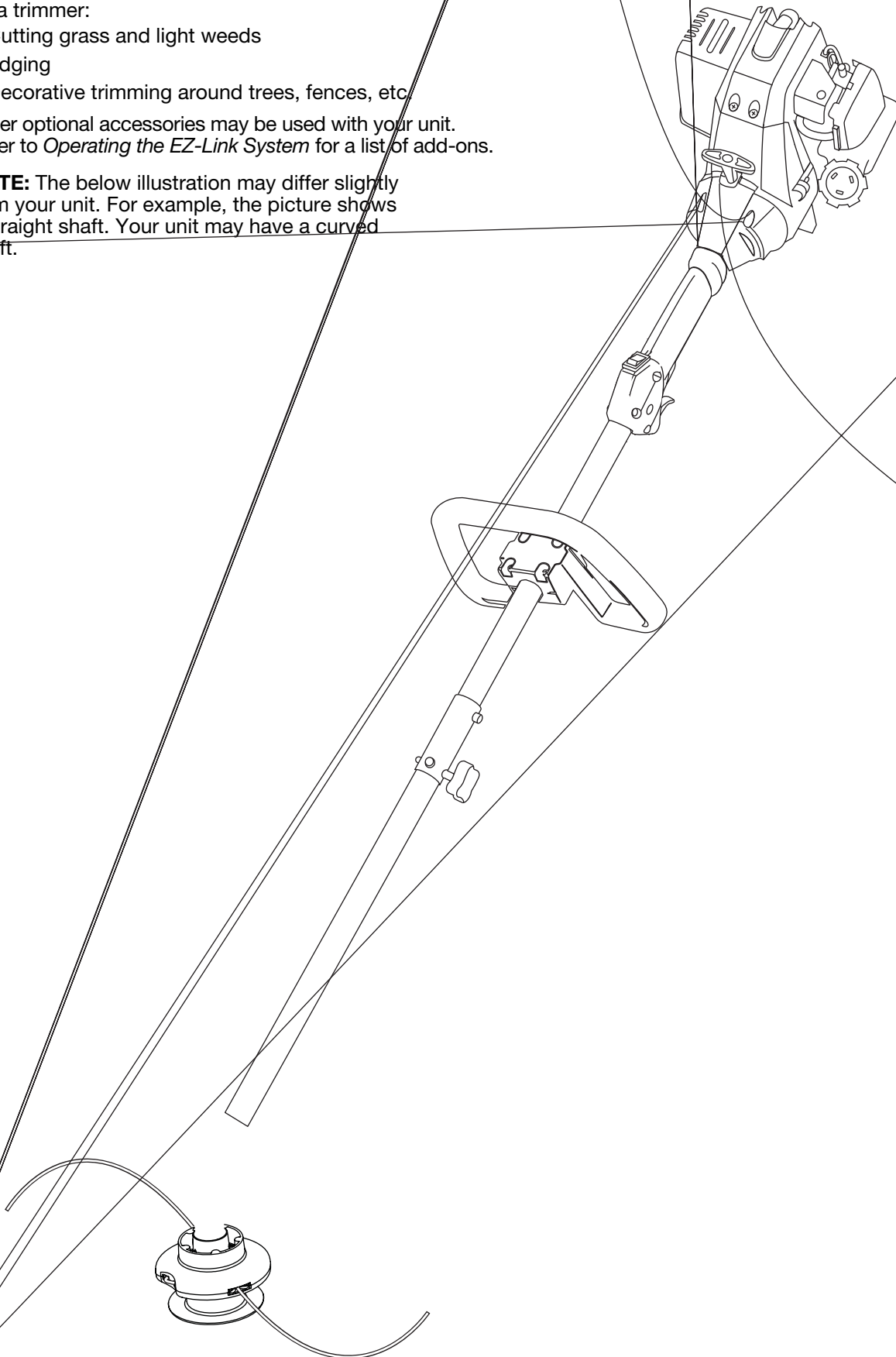
## APPLICATIONS

As a trimmer:

- Cutting grass and light weeds
- Edging
- Decorative trimming around trees, fences, etc.

Other optional accessories may be used with your unit. Refer to *Operating the EZ-Link System* for a list of add-ons.

**NOTE:** The below illustration may differ slightly from your unit. For example, the picture shows a straight shaft. Your unit may have a curved shaft.



# ASSEMBLY INSTRUCTIONS

## ADJUST THE D-HANDLE

The MP425 and MP475 use a D-handle, which is pre-installed on the unit. If you ever need to adjust it, make sure it is at least 6 inches from the end of the shaft grip (Fig. 1).

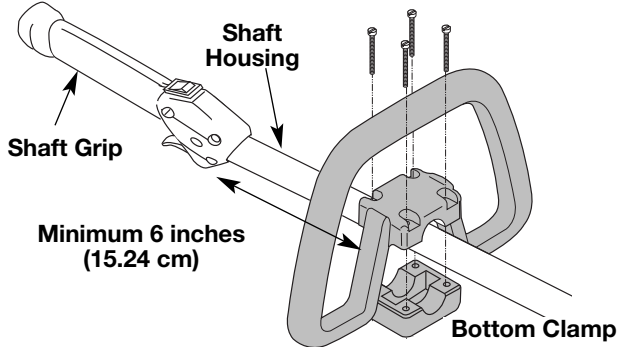


Fig. 1

## INSTALLING THE CUTTING SHIELD

Use the following instructions if the cutting attachment shield on your unit is not installed or if you ever need to re-install it.



**WARNING:** To prevent serious personal injury, never operate the trimmer without the cutting attachment shield in place.

### MP475

1. Slide the cutting attachment shield into the shield mount on the cutting attachment. Align the screw holes in the shield with the holes in the cutting attachment shield mount (Fig. 2).

# OIL AND FUEL INFORMATION

## RECOMMENDED OIL TYPE

Using the proper type and weight of oil in the crankcase is extremely important.

Check the oil before each use and change the oil regularly. Failure to use the correct oil, or using dirty oil, can cause premature engine wear and failure.

Use a high-quality SAE 30 weight oil of API (American Petroleum Institute) service class SF, SG, SH.

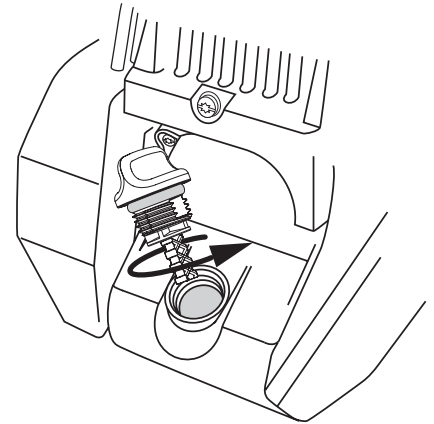
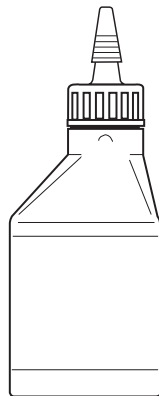
## ADDING OIL TO CRANKCASE: INITIAL USE

**NOTE:** This unit is shipped without oil. In order to avoid damage to the unit, put oil in the crankcase before you attempt to start the unit.

Your unit is supplied with one 3.04 fluid oz. (90 ml.) bottle of SAE 30 SF, SG, SH oil (Fig. 6).

**NOTE:** Save the bottle of oil. It can be used to measure the correct amount during future oil changes. See *Changing the Oil*.

1. Unscrew the top of the bottle of oil and remove the paper seal covering the opening. Replace the top. Next, cut the tip off the funnel spout (Fig. 6).





# OIL AND FUEL INFORMATION

## RECOMMENDED FUEL TYPE

Old fuel is the primary reason for improper unit performance. Be sure to use fresh, clean, unleaded gasoline.

**NOTE:** This is a four cycle engine. In order to avoid damage to the unit, **do not mix oil with gasoline.**

## Definition of Blended Fuels

Today's fuels are often a blend of gasoline and oxygenates such as ethanol, methanol or MTBE (ether). Alcohol-blended fuel absorbs water. As little as 1% water in the fuel can make fuel and oil separate or form acids when stored. Use fresh fuel (less than 60 days old), when using alcohol-blended fuel.

## Using Blended Fuels

If you choose to use a blended fuel, or its use is unavoidable, follow recommended precautions:

- Always use fresh unleaded gasoline
- Use the fuel additive STA-BIL® or an equivalent
- Drain tank and run the engine dry before storing unit

## Using Fuel Additives

The use of fuel additives, such as STA-BIL® Gas Stabilizer or an equivalent, will inhibit corrosion and minimize the formation of gum deposits. Using a fuel additive can keep fuel from forming harmful deposits in the carburetor for up to six (6) months. Add 0.8 oz. (23 ml.) of fuel additive per gallon of fuel according to the instructions on the container. NEVER add fuel additives directly to the unit's gas tank.

## FUELING THE UNIT

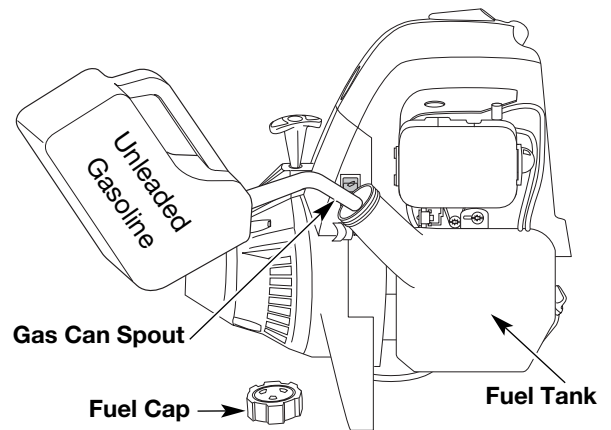


**WARNING:** Gasoline is extremely flammable. Ignited Vapors may explode. Always stop the engine and allow it to cool before filling the fuel tank. Do not smoke while filling the tank. Keep sparks and open flames at a distance from the area.

1. Remove the fuel cap (Fig. 9).



**WARNING:** Remove fuel cap slowly to avoid injury from fuel spray. Never operate the unit without the fuel cap securely in place.



2. Place the gas container's spout into the fill hole on the fuel tank (Fig. 9) and fill the tank.



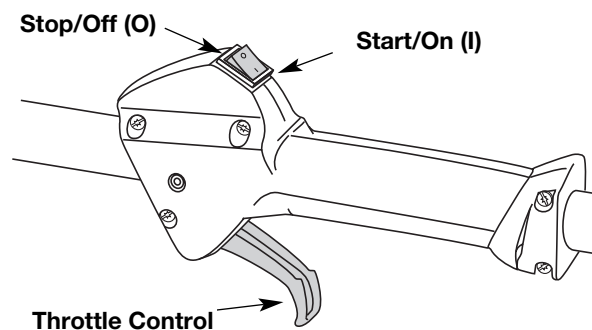
**WARNING:** Add fuel in a clean, well ventilated outdoor area. Wipe up any spilled fuel immediately. Avoid creating a source of ignition for spilt fuel. Do not start the engine until fuel vapors dissipate.

**NOTE:** Do not overfill the tank.

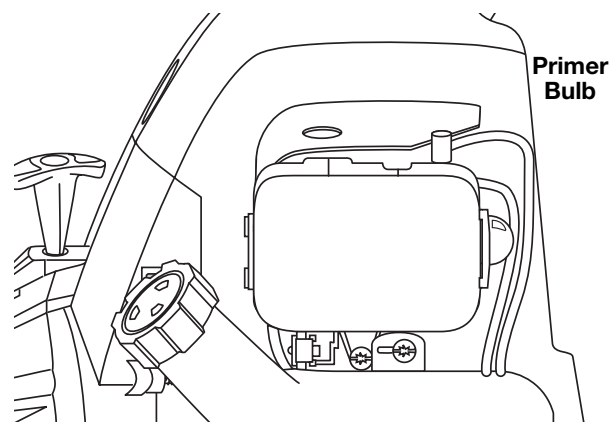
3. Wipe up any gasoline that may have spilled.
4. Reinstall the fuel cap.
5. Move the unit at least 30 ft. (9.1 m) from the fueling source and site before starting the engine.

**NOTE:** Dispose of the old gasoline in accordance to Federal, State and Local regulations.

# STARTING/STOPPING INSTRUCTIONS



## STARTING INSTRUCTIONS



## STOPPING INSTRUCTIONS

1. Release your hand from the throttle control. Allow the engine to cool down by idling.
2. Put the On/Off Stop Control in the OFF (O) position.



# OPERATING INSTRUCTIONS

# OPERATING INSTRUCTIONS

## HOLDING THE TRIMMER

Before operating the unit, stand in the operating position (Fig. 17). Check for the following:

- The operator is wearing eye protection and proper clothing
- With a slightly-bent right arm, the operator's right hand is holding the shaft grip
- The operator's left arm is straight, the left hand holding the handle
- The unit is at waist level
- The cutting attachment is parallel to the ground and easily contacts the grass without the need to bend over.

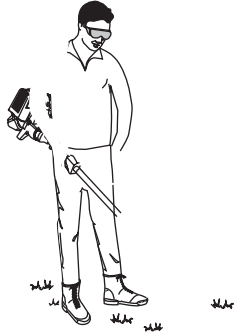


Fig. 17

## TIPS FOR BEST TRIMMING RESULTS

- For best trimming results, operate unit at full throttle.
- Keep the cutting attachment parallel to the ground.
- Do not force the cutting attachment. Allow the tip of the line to do the cutting, especially along walls. Cutting with more than the tip will reduce cutting efficiency and may overload the engine.
- Cut grass over 8 inches (200 mm) by working from top to bottom in small increments to avoid premature line wear or engine drag.
- Cut from right to left.
- Slowly move the trimmer into and out of the cutting area at the desired height. Move either in a forward-backward or side-to-side motion. Cutting shorter lengths produces the best results.
- Trim only when grass and weeds are dry.
- The life of your cutting line is dependent upon:
  - Proper adherence of explained trimming techniques
  - What vegetation is cut
  - Where vegetation is cut

For example, the line will wear faster when trimming against a foundation wall as opposed to trimming around a tree. It is normal for some line breakage to occur from regular use.

# MAINTENANCE AND REPAIR INSTRUCTIONS

## MAINTENANCE SCHEDULE

Perform these required maintenance procedures at the frequency stated in the table. These procedures should also be a part of any seasonal tune-up.

**NOTE:** Some maintenance procedures may require special tools or skills. If you are unsure about these procedures take your unit to any non-road engine repair establishment, individual or authorized service dealer.

**NOTE:** Maintenance, replacement, or repair of the emission control devices and system may be performed by any non-road engine repair establishment, individual or authorized service dealer.



**WARNING:** To prevent serious injury, never perform maintenance or repairs with unit running. Always service and repair a cool unit. Disconnect the spark plug wire to ensure that the unit cannot start.

FREQUENCY	MAINTENANCE REQUIRED	REFER TO
Before starting engine	Fill fuel tank with fresh fuel Check oil	Page 9 Page 14
Every 10 hours	Clean and re-oil air filter	Page 15
First change at 10 hours Every 25 hours thereafter Every 25 hours	Change oil Change oil Clean spark arrestor	Page 14 Page 14 Page 18
10 hours on new engine Every 25 hours Every 25 hours	Check rocker arm to valve clearance and adjust Check rocker arm to valve clearance and adjust Check spark plug condition and gap	Page 17 Page 17 Page 18

## FIXED LINE INSTALLATION

Always use original equipment manufacturer 0.105 inch (2.667 mm) replacement line. Lines other than those specified may make the engine overheat or fail.

To install the trimming line:

1. Insert each end of the replacement line into the holes on either side of retention hook (Fig. 19).
2. Push the ends through until they stick out of the sides of the head (Fig. 20).
3. Pull the ends through making sure that the ends are of equal length and the middle of the line is centered between the insertion holes (Fig. 21).
4. If the ends are not of equal length, push the longer end back through the head part way and pull the shorter end to compensate. Repeat until both ends are the same length.

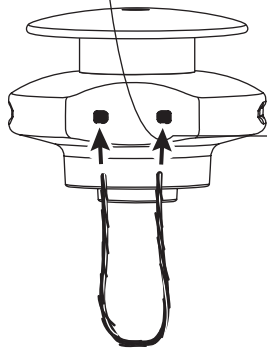


Fig. 19

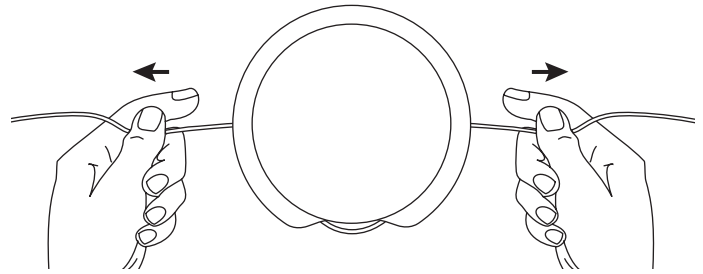
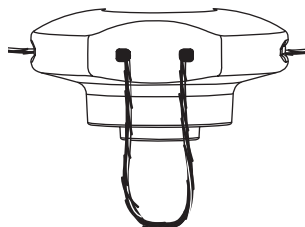


Fig. 21

# MAINTENANCE AND REPAIR INSTRUCTIONS

## CHECKING THE OIL LEVEL



**CAUTION:** To prevent extensive engine wear and damage to the unit, always maintain the proper oil level in the crankcase. Never operate the unit with the oil level below the bottom of the dipstick.

The importance of checking and maintaining the proper oil level in the crankcase cannot be overemphasized. Check oil before each use:

1. Stop the engine and allow oil to drain into the crankcase.
2. Place the unit on a flat, level surface to get a proper oil level reading.
3. Keep dirt, grass clippings and other debris out of the engine. Clean the area around the oil fill plug/dipstick before removing it.
4. Remove the oil fill plug/dipstick and wipe off oil. Reinsert it all the way back in.
5. Remove the oil fill plug/dipstick and check the oil level. Oil should be up to the top of the dipstick (Fig. 23).

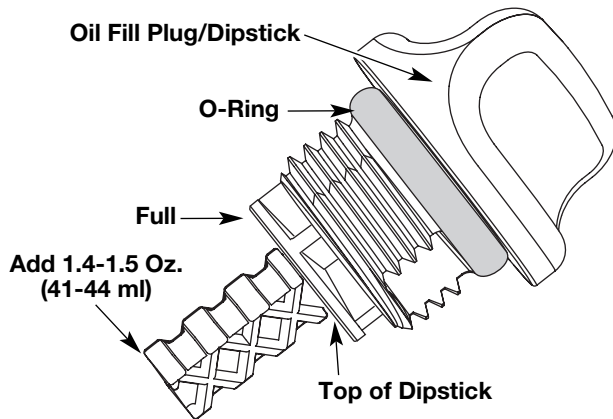


Fig. 23

6. If the level is low, add a small amount of oil to the oil fill hole and recheck (Fig. 24). Repeat this procedure until the oil level reaches the top of the dipstick.

**NOTE:** Do not overfill the unit.

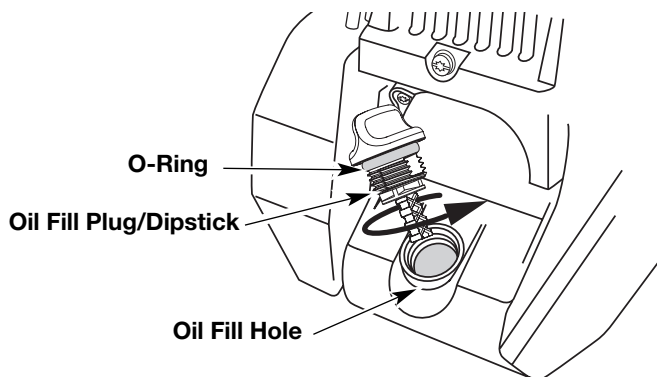


Fig. 24

**NOTE:** Make sure the O-ring is in place on the oil fill plug/dipstick when checking and changing the oil (Fig. 24).

## CHANGING THE OIL

For a new engine, change the oil after the first 10 hours of operation. Change the oil while the engine is still warm. The oil will flow freely and carry away more impurities.

1. Unplug spark plug boot to prevent accidental starting.



**CAUTION:** Wear gloves to prevent injury when handling the unit.

2. Remove the oil fill plug/dipstick.
3. Pour the oil out of the oil fill hole and into a container by tipping the unit to a vertical position (Fig. 25). Allow ample time for complete drainage.

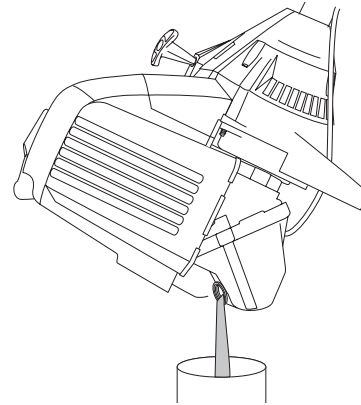


Fig. 25

4. Wipe up any oil residue on the unit and clean up any oil that may have spilled. Dispose of the oil according to Federal, State and local regulations.
5. Refill the crankcase with 3.04 fluid oz. (90 ml) or 3/8 cup of SAE 30 SF, SG, SH oil.

**NOTE:** Use the bottle and spout saved from initial use to measure the correct amount of oil. The top of the label on the bottle measures approximately 3.04 oz. (90 ml) or 3/8 cup (Fig. 26). Check the level with the dipstick. If the level is low, add a small amount of oil and recheck. Do not overfill (Fig. 26).

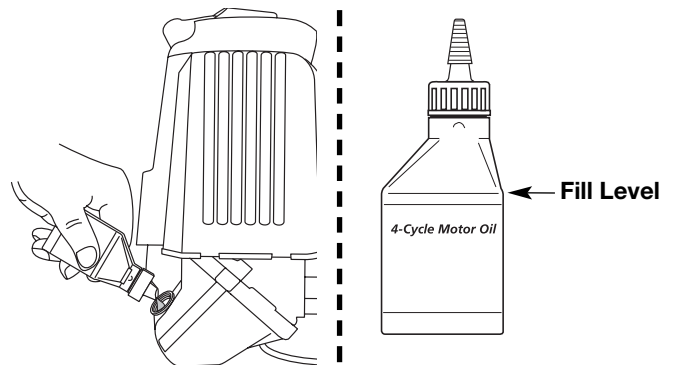
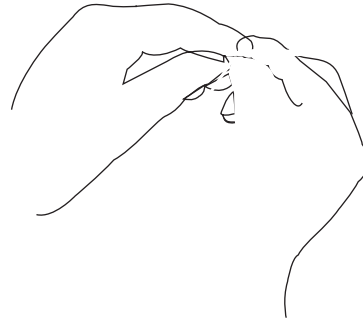


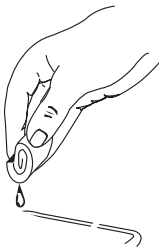
Fig. 26

6. Replace the oil fill plug/dipstick.
7. Reconnect the spark plug boot.

5. Squeeze the filter to spread and remove excess oil (Fig. 30).



3. Wash the filter in detergent and water (Fig. 28). Rinse the filter thoroughly and allow it to dry.
4. Apply enough clean SAE 30 motor oil to lightly coat the filter (Fig. 29).



# MAINTENANCE AND REPAIR INSTRUCTIONS

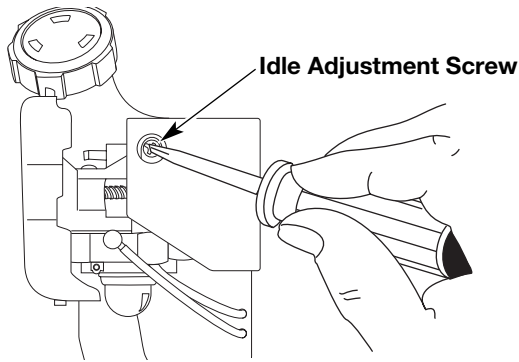


Fig. 32

## Clean Air Filter

The condition of the air filter is important to the operation of the unit. A dirty air filter will restrict air flow. This is often mistaken for an out of adjustment carburetor. Check the condition of the air filter before adjusting the idle speed screw. Refer to *Air Filter Maintenance*.

## Adjust Idle Speed Screw



**WARNING:** The cutting attachment may spin during idle speed adjustments. Wear protective clothing and observe all safety instructions to prevent serious personal injury.

If, after checking the fuel and cleaning the air filter, the engine still will not idle, adjust the idle speed screw as follows:

1. Start the engine and let it run at a high idle for a minute to warm up. Refer to *Starting/Stopping Instructions*.
2. Release the throttle trigger and let the engine idle. If the engine stops, insert a small phillips or flat blade screwdriver into the hole in the air filter/muffler cover (Fig. 32). Turn the idle speed screw in, **clockwise**, 1/8 of a turn at a time (as needed) until the engine idles smoothly.

**NOTE:** The cutting attachment should not rotate when the engine idles.

3. If the cutting attachment rotates when the engine idles, turn the idle speed screw **counterclockwise** 1/8 of a turn at a time (as needed), to reduce idle speed.

Checking the fuel, cleaning the air filter, and adjusting the idle speed should solve most engine problems. If not and all of the following are true:

- the engine will not idle
- the engine hesitates or stalls on acceleration
- there is a loss of engine power

Have the carburetor adjusted by an authorized service dealer.



**WARNING:** To prevent serious personal injury, make sure the cutting attachment has stopped rotating before you turn it off and set it down.

## ROCKER ARM CLEARANCE

This requires disassembly of the engine. If you feel unsure or unqualified to perform this, take the unit to an authorized service center.

**NOTE:** Inspect the valve to rocker arm clearance with a feeler gauge after the first 10 hours of operation and then every 25 hours of operation thereafter.

- The engine must be cold when checking or adjusting the valve clearance.
  - This task should be performed inside, in a clean, dust free area.
1. Remove the muffler cover by pressing down on it, separating it from the engine cover. Using a flat blade screwdriver, disengage the middle and front tabs and slots first. The cover will hinge off from the rear tab (Fig. 33).

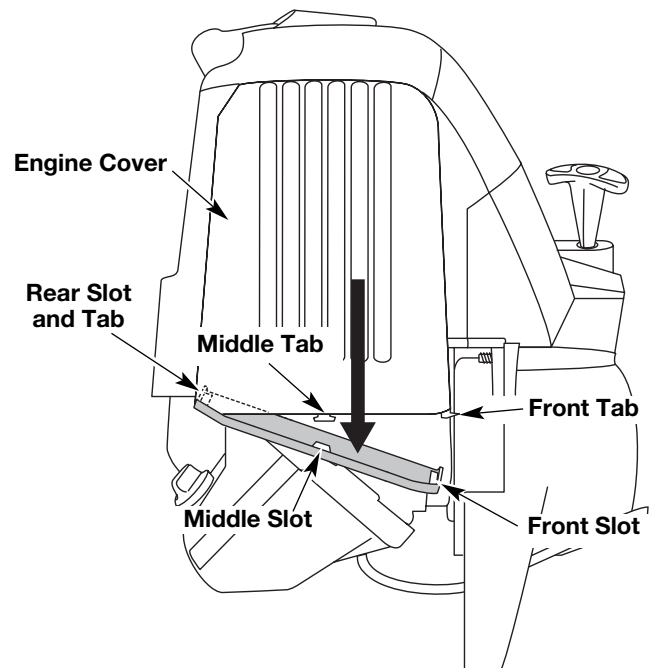


Fig. 33

2. Remove the two (2) screws on top of the engine cover with a Flat-head or T-25 Torx screwdriver (Fig. 34).

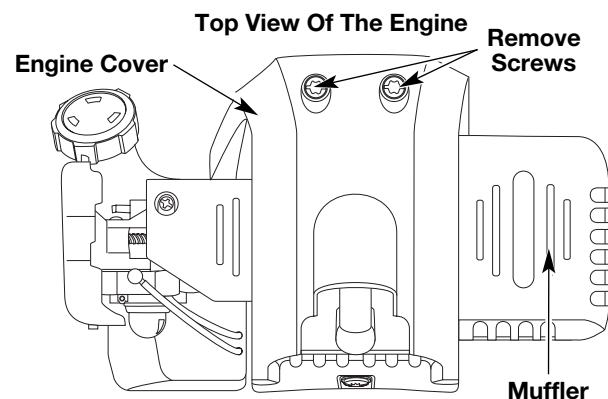


Fig. 34



# MAINTENANCE AND REPAIR INSTRUCTIONS

- Remove the screw behind the engine cover (Fig. 35).

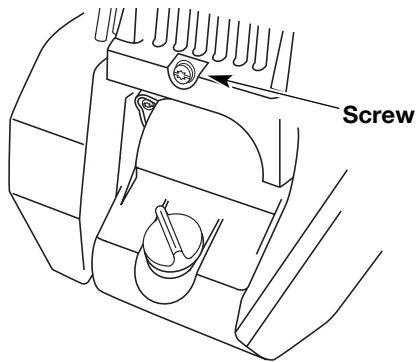


Fig. 35

- Disconnect the spark plug wire.
- Clean dirt from around the spark plug. Remove the spark plug from the cylinder head by turning a 5/8 in. socket counterclockwise.
- Remove the engine cover (Fig. 33).
- Clean dirt from around the rocker arm cover. Remove the screw holding the rocker arm cover with a large flat blade screwdriver or Torx T-25 bit (Fig. 36). Remove the rocker arm cover and gasket.

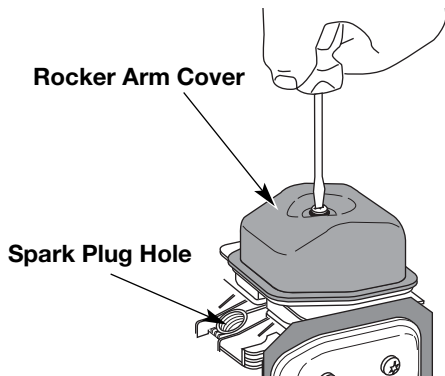


Fig. 36

- Pull the starter rope slowly to bring the piston to the top of its travel, (known as top dead center). Check that:
  - The piston is at the top of its travel while looking in the spark plug hole (Fig. 36)
  - Both rocker arms move freely, and both valves are closed

If these statements are not true, repeat this step.

- Slide the feeler gauge between the rocker arm and the valve return spring. Measure the clearance between the valve stem and rocker arm (Fig. 37). Measure both the intake and exhaust valves.

The recommended clearance for the intake and exhaust is .003 – .006 in. (.076 – 0.152 mm).

Use a standard automotive feeler gauge at .005 (0.127mm). The feeler gauge should slide between the rocker arm and valve stem with a slight amount of resistance, without binding. Figures 37 & 38 show how to measure the clearance.

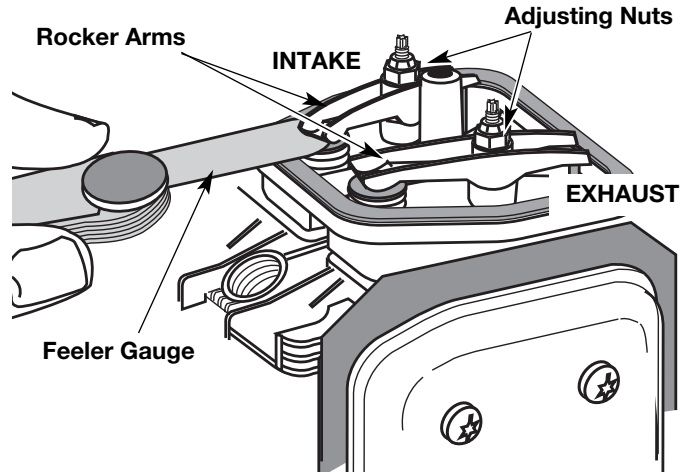


Fig. 37

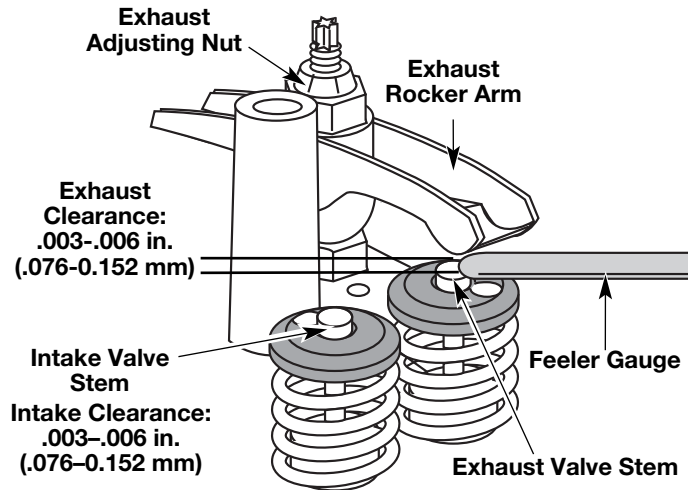


Fig. 38

- If the clearance is not within specification:
  - Turn the adjusting nut using a 5/16 inch (8 mm) wrench or nut driver (Fig. 38).
    - To increase clearance, turn the adjusting nut counterclockwise.
    - To decrease clearance, turn the adjusting nut clockwise.
  - Recheck both clearances, and adjust as necessary.
- Reinstall the rocker arm cover using a new gasket. Torque the screw to 20–30 in•lb (2.2–3.4 N•m).
- Reinstall the engine cover. Check alignment of the cover before tightening the screws. Tighten screws.
- Reinstall the muffler cover. Slip the rear tab on the muffler cover into the engine cover rear slot. Then slide the remaining slots into the tabs until they snap into place (Fig. 33).
- Check the spark plug and reinstall. See *Replacing the Spark Plug*.
- Replace the spark plug wire.

# MAINTENANCE AND REPAIR INSTRUCTIONS

## REPLACING THE SPARK PLUG

Use a replacement part number 791-180852 spark plug. The correct air gap is **0.025 in. (0.635 mm)**. Remove the plug after every 25 hours of operation and check its condition.

1. Stop the engine and allow it to cool. Grasp the plug wire firmly and pull the cap from the spark plug.
2. Clean dirt from around the spark plug. Remove the spark plug from the cylinder head by turning a 5/8 in. socket counterclockwise.
3. Replace cracked, fouled or dirty spark plug. Set the air gap at **0.025 in. (0.635 mm)** using a feeler gauge (Fig. 39).

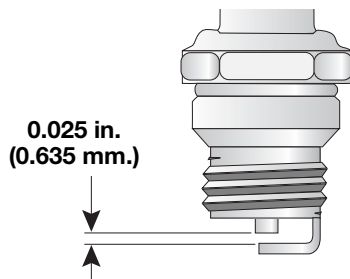


Fig. 39



**WARNING:** Do not sand blast, scrape or clean electrodes. Grit in the engine could damage the cylinder.

4. Install a correctly-gapped spark plug in the cylinder head. Turn the 5/8 in. socket clockwise until snug.

If using a torque wrench torque to:  
**110-120 in.·lb. (12.3-13.5 N·m)**

Do not over tighten.

## SPARK ARRESTOR MAINTENANCE

1. Remove the muffler cover. See *Rocker Arm Clearance*.
2. With a flat blade screwdriver or Torx T-20 bit, remove the screw attaching the spark arrestor cover to the muffler (Fig. 40).

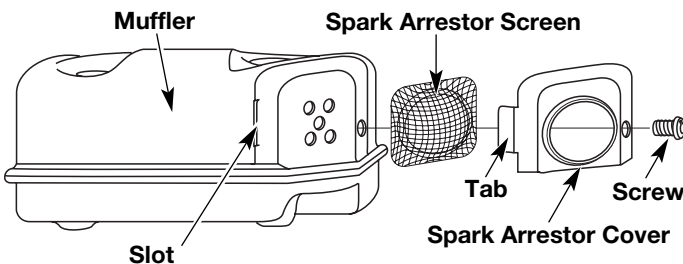


Fig. 40

3. Pull the tab on the spark arrestor cover out of the muffler. Remove the spark arrestor cover.
4. Remove the spark arrestor screen from the spark arrestor cover.
5. Clean the spark arrestor screen with a wire brush or replace it.
6. Reinstall the spark arrestor screen, spark arrestor cover and screw.

## CLEANING



**WARNING:** To avoid serious personal injury, always turn your unit off and allow it to cool before you clean or service it.

Use a small brush to clean off the outside of the unit. Do not use strong detergents. Household cleaners that contain aromatic oils such as pine and lemon, and solvents such as kerosene, can damage plastic housing or handle. Wipe off any moisture with a soft cloth.

## STORAGE

- Never store the unit with fuel in the tank where fumes may reach an open flame or spark.
- Allow the engine to cool before storing.
- Lock up the unit to prevent unauthorized use or damage.
- Store the unit in a dry, well-ventilated area.
- Store the unit out of the reach of children.

## LONG TERM STORAGE

1. Drain all gasoline from the gas tank into a container. Do not use gas that has been stored for more than 60 days. Dispose of the old gasoline in accordance to Federal, State, and Local regulations.
2. Start the engine and allow it to run until it stalls. This ensures that all gasoline has been drained from the carburetor.
3. Allow the engine to cool. Remove the spark plug and put 5 drops of high quality motor oil into the cylinder. Pull the starter rope slowly to distribute the oil. Reinstall the spark plug.

**NOTE:** Remove the spark plug and drain all of the oil from the cylinder before attempting to start the trimmer after storage.

4. Change the oil, referring to *Changing the Oil*. Dispose of the old oil in accordance to Federal, State and Local regulations.
5. Thoroughly clean the unit and inspect for any loose or damaged parts. Repair or replace damaged parts and tighten loose screws, nuts or bolts. The unit is ready for storage.

## TRANSPORTING

- Allow the engine to cool before transporting.
- Secure the unit while transporting.
- Drain the gas tank before transporting.
- Tighten gas cap before transporting.

# TROUBLESHOOTING

## ENGINE WILL NOT START

### CAUSE

Empty fuel tank  
Primer bulb wasn't pressed enough  
Old fuel  
Fouled spark plug  
Plugged spark arrestor  
When it is above 40°F outside & the Cold Weather Start Lever is in the CLOSED / START position  
When it is below 40°F outside & the Cold Weather Start Lever is in the RUN / OPEN position

### ACTION

Fill fuel tank with new fuel  
Press primer bulb fully and slowly 10 times  
Drain gas tank and add fresh fuel  
Replace or clean the spark plug  
Clean or replace spark arrestor  
Flip the Cold Weather Start Lever to RUN / OPEN  
  
Flip the Cold Weather Start Lever to CLOSED / START and follow the *Starting Instructions*

## ENGINE WILL NOT IDLE

### CAUSE

Air filter is plugged  
Old fuel  
Improper carburetor adjustment

### ACTION

Replace or clean the air filter  
Drain gas tank and add fresh fuel  
Adjust carburetor

## ENGINE WILL NOT ACCELERATE

### CAUSE

Old fuel  
Improper carburetor adjustment  
Cutting attachment bound with grass  
Dirty air filter  
Plugged spark arrestor

### ACTION

Drain gas tank and add fresh fuel  
Take to an authorized service dealer for adjustment  
Stop the engine and clean the cutting attachment  
Clean or replace the air filter  
Clean or replace spark arrestor

## ENGINE LACKS POWER OR STALLS WHEN CUTTING

### CAUSE

Old fuel  
Improper carburetor adjustment  
Fouled spark plug  
Plugged spark arrestor

### ACTION

Drain gas tank and add fresh fuel  
Take to an authorized service dealer for adjustment  
Replace or clean the spark plug  
Clean or replace spark arrestor

**If further assistance is required, contact your authorized service dealer.**

# SPECIFICATIONS

## ENGINE\*

Engine Type .....	Air-Cooled, 4-Cycle
Displacement .....	1.6 cu. in. (26.2 cc)
Clutch Type .....	Centrifugal
Operating RPM .....	6,800 - 9,300 rpm
Idle Speed RPM .....	2,800 - 3,600 rpm
Ignition Type .....	Electronic
Ignition Switch .....	Rocker Switch
Valve clearance .....	.003-.006 in. (.076-.152 mm)
Spark Plug Gap .....	0.025 inch (0.635 mm)
Lubrication .....	SAE 30 Oil
Crankcase Oil Capacity .....	3.04 oz (90 ml) or 3/8 cup
Fuel .....	Unleaded
Carburetor .....	Diaphragm, All-Position
Starter .....	Auto Rewind
Muffler .....	Baffled with Guard
Throttle .....	Manual Spring Return
Fuel Tank Capacity .....	12 oz (355 ml)

## DRIVE SHAFT AND CUTTING ATTACHMENT\*

Drive Shaft Housing .....	Steel Tube (EZ-Link™)
Throttle Control .....	Finger-Tip Trigger
Approximate Unit Weight (No fuel, with handle, shield and cutting attachment) .....	13.5 lbs (6 kg)
Cutting Mechanism: .....	Fixed Head
Trimming Line Diameter: .....	0.105 inches (2.67 mm)

\*All specifications are based on the latest product information available at the time of printing. We reserve the right to make changes at any time without notice.

# NOTES

## MANUFACTURER'S LIMITED WARRANTY FOR:

# MTD PRO<sup>®</sup>

The limited warranty set forth below is given by MTD LLC (MTD) with respect to new merchandise purchased and used in the United States, its possessions and territories.

MTD warrants this product against defects in material and workmanship for a period of two (2) years commencing on the date of original purchase and will, at its option, repair or replace, free of charge, any part found to be defective in material or workmanship. This limited warranty shall only apply if this product has been operated and maintained in accordance with the Operator's Manual furnished with the product, and has not been subject to misuse, abuse, commercial use, neglect, accident, improper maintenance, alteration, vandalism, theft, fire, water or damage because of other peril or natural disaster. Damage resulting from the installation or use of any accessory or attachment not approved by MTD for use with the product(s) covered by this manual will void your warranty as to any resulting damage. This warranty is limited to ninety (90) days from the date of original retail purchase for any MTD product that is used for rental or commercial purposes, or any other income-producing purpose.

**HOW TO OBTAIN SERVICE:** Warranty service is available, WITH PROOF OF PURCHASE THROUGH YOUR LOCAL AUTHORIZED SERVICE DEALER. To locate the dealer in your area, visit our website at [www.mtdproducts.com](http://www.mtdproducts.com), check for a listing in the Yellow Pages, call **1-800-800-7310** or write to P.O. Box 361131, Cleveland, OH 44136-0019.

**This limited warranty does not provide coverage in the following cases:**

- A. Tune-ups - Spark Plugs, Carburetor Adjustments, Filters
- B. Wear items - Bump Knobs, Outer Spools, Cutting Line, Inner Reels, Starter Pulley, Starter Ropes, Drive Belts
- C. MTD does not extend any warranty for products sold or exported outside of the United States of America, its possessions and territories, except those sold through MTD's authorized channels of export distribution.

MTD reserves the right to change or improve the design of any MTD Product without assuming any obligation to modify any product previously manufactured.

**No implied warranty, including any implied warranty of merchantability or fitness for a particular purpose, applies after the applicable period of express written warranty above as to the parts as identified. No other express warranty or guaranty, whether written or oral, except as mentioned above, given by any person or entity, including a dealer or retailer, with respect to any product shall bind MTD. During the period of the Warranty, the exclusive remedy is repair or replacement of the product as set forth above.** (Some states do not allow limitations on how long an implied warranty lasts, so the above limitation may not apply to you.)

**The provisions as set forth in this Warranty provide the sole and exclusive remedy arising from the sales. MTD shall not be liable for incidental or consequential loss or damages including, without limitation, expenses incurred for substitute or replacement lawn care services, for transportation or for related expenses, or for rental expenses to temporarily replace a warranted product.** (Some states do not allow limitations on how long an implied warranty lasts, so the above limitation may not apply to you.)

In no event shall recovery of any kind be greater than the amount of the purchase price of the product sold. Alteration of the safety features of the product shall void this Warranty. You assume the risk and liability for loss, damage, or injury to you and your property and/or to others and their property arising out of the use or misuse or inability to use the product.

This limited warranty shall not extend to anyone other than the original purchaser, original lessee or the person for whom it was purchased as a gift.

**How State Law Relates to this Warranty:** This warranty gives you specific legal rights, and you may also have other rights which vary from state to state.

To locate your nearest service dealer dial **1-800-800-7310**.

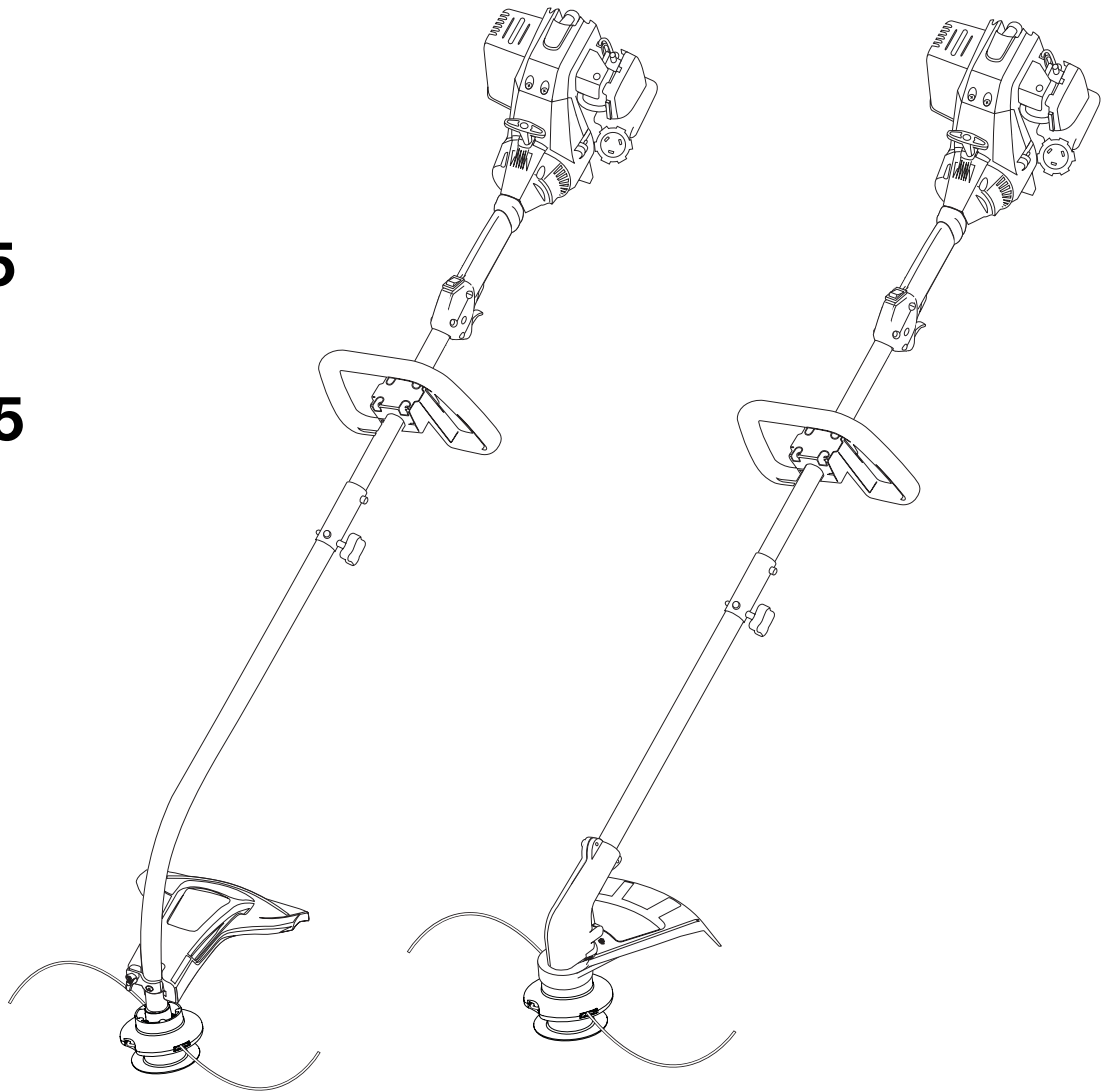
**MTD LLC**

P.O. Box 361131  
Cleveland, OH 44136-0019

# **MTD PRO**

## **Manuel de l'utilisateur**

**MP425  
&  
MP475**



**Désherbeuse à gaz à 4-temps**

**IMPORTANT: LISEZ LES RÈGLES ET CONSIGNES DE SÉCURITÉ SOIGNEUSEMENT**

# INTRODUCTION

## TOUS NOS REMERCIEMENTS

Nous vous remercions d'avoir acheté ce produit de qualité. Cet outil mécanique de plein air moderne est conçu pour vous rendre service pendant longtemps. Il vous sauvera beaucoup de temps comme vous pourrez vous en rendre compte. Ce manuel de l'utilisateur comporte un mode d'emploi facile à comprendre. Prenez soin de lire le manuel au complet et suivez toutes ses instructions à la lettre afin de conserver votre nouvel outil mécanique de plein air en excellent état de fonctionnement.

## RÉFÉRENCES, ILLUSTRATIONS ET SPÉCIFICATIONS RELATIVES AU PRODUIT

Toutes les informations, illustrations et spécifications contenues dans ce manuel tiennent compte des dernières informations techniques disponibles au moment de mettre sous presse. Nous nous réservons le droit d'y apporter des modifications à tout moment, sans préavis.

Copyright© 2007 MTD SOUTHWEST INC., Tous droits réservés.

## INFORMATIONS D'ENTRETIEN

Tout entretien effectué sur cet appareil pendant et après la période de garantie doit être fait par un concessionnaire agréé uniquement. Obtenez la liste des concessionnaires agréés appelez le **1-800-800-7310**. Pour de plus amples informations à propos de votre appareil, visitez [www.mtdproducts.com](http://www.mtdproducts.com).

**NE RETOURNEZ PAS L'APPAREIL AU DÉTAILLANT CHEZ QUI VOUS L'AVEZ ACHETÉ. TOUT SERVICE SOUS GARANTIE NÉCESSITE UNE PREUVE D'ACHAT.**

Avant d'assembler votre nouvel équipement, repérez la plaque signalétique de l'appareil et copiez ses informations dans l'espace ci-dessous. Ces informations sont essentielles si vous désirez obtenir de l'aide auprès de notre service technique ou d'un distributeur agréé. Un exemple de plaque signalétique est présenté ci-dessous.



**Copiez le numéro de modèle / pièce mère ici :**

**Copiez le numéro de série ici :**



# CONSIGNES DE SÉCURITÉ

Les symboles de sécurité attirent votre attention sur des dangers potentiels. Ces symboles et leurs détails explicatifs méritent que vous les lisiez et compreniez bien. Les avertissements de sécurité ne peuvent éviter les dangers de par eux-mêmes. Les consignes ou mises en garde qu'ils donnent ne remplacent pas des mesures préventives appropriées contre les accidents.

## SYMBOLE SIGNIFICATION



### ALERTE DE SÉCURITÉ:

indique un danger, un avertissement ou une mise en garde. Soyez vigilant afin d'éviter toute blessure grave. Ce symbole peut être combiné à d'autres symboles ou pictogrammes.

**REMARQUE:** donne des informations ou des instructions vitales pour le fonctionnement ou l'entretien de l'équipement.

Lisez le(s) manuel(s) de l'utilisateur et suivez tous les avertissements et consignes de sécurité. Vous pourriez à défaut entraîner des blessures graves pour vous ou d'autres personnes.

SI VOUS AVEZ DES QUESTIONS, APPELEZ LE  
1-800-800-7310

## SYMBOLE SIGNIFICATION



**DANGER:** le non-respect d'un avertissement peut causer dommages matériels ou blessures graves pour tous. Respectez les consignes de sécurité afin de réduire les risques d'incendie, d'électrocution et de blessures.



**AVERTISSEMENT:** le non-respect d'un avertissement peut causer dommages matériels ou blessures graves pour tous. Respectez les consignes de sécurité afin de réduire les risques d'incendie, d'électrocution et de blessures.



**MISE EN GARDE:** le non-respect d'un avertissement peut causer dommages matériels ou blessures graves pour tous. Respectez toujours les consignes de sécurité afin de réduire les risques d'incendie, d'électrocution et de blessures.

## • IMPORTANTES CONSIGNES DE SÉCURITÉ •

### LIRE TOUTES LES INSTRUCTIONS AVANT UTILISATION



**AVERTISSEMENT:** Lorsque vous utilisez la machine, vous devez suivre les consignes de sécurité. Veuillez lire ces instructions avant d'opérer la machine pour vous assurer de la sécurité de l'opérateur et de tout spectateur. Veuillez conserver ces instructions pour un usage ultérieur.

- Veuillez lire les instructions avec soin. Familiarisez-vous avec les commandes et l'utilisation correcte de cet appareil.
- N'utilisez pas l'appareil si vous êtes fatigué, malade ou sous l'effet de l'alcool, de drogues ou de médicaments.
- Les enfants et adolescents de moins de 15 ans ne doivent pas utiliser l'appareil exceptés les adolescents assistés d'un adulte.
- Inspectez l'appareil avant utilisation. Remplacez les pièces endommagées. Regardez s'il y a des fuites de carburant. Assurez-vous que les fixations sont solidement en place. Remplacez les pièces de l'accessoire de coupe qui sont fendillées, ébréchées ou endommagées. Assurez-vous que l'accessoire de coupe est correctement installé et solidement fixé. Assurez-vous que le protecteur d'accessoire de coupe est correctement fixé et positionné comme recommandé. Vous risquez sinon de causer des blessures à l'opérateur et aux spectateurs, et d'endommager l'appareil.
- N'utilisez que du fil de remplacement d'origine du fabricant de 2,67 mm, 0,105 po de diamètre. N'utilisez jamais de fil, de chaîne ou de cordon à renfort métallique car ils peuvent

se briser et se transformer en projectile dangereux.

- Soyez conscient des risques de blessure à la tête, aux mains et aux pieds.
- Dégagez la zone de coupe avant chaque usage. Enlevez tous les objets pouvant être projetés ou happés par l'accessoire de coupe : cailloux, verre brisé, clous, fil ou ficelle. Éloignez enfants, spectateurs et animaux de la zone de coupe. Tenez-les à au moins 15 m (50 pi) de là mais sachez que les spectateurs risquent quand même d'être atteints par des objets projetés. Les spectateurs doivent porter des protections oculaires. Arrêtez immédiatement le moteur et l'accessoire de coupe si quelqu'un s'approche de vous.

### AVERTISSEMENTS DE SÉCURITÉ CONCERNANT LES DÉSHERBEUSES À GAZ

- Ne stockez le carburant que dans des contenants spécialement conçus et homologués pour le stockage de ce type de matières.



**AVERTISSEMENT:** l'essence est extrêmement inflammable et ses vapeurs peuvent exploser si on y met le feu. Veuillez prendre les précautions suivantes.

- Arrêtez toujours le moteur et laissez-le refroidir avant de remplir le réservoir de carburant. N'enlevez jamais le bouchon du réservoir et n'ajoutez jamais de carburant pendant que le moteur est chaud. Ne faites jamais fonctionner l'appareil sans que le bouchon de carburant soit bien mis. Desserrez lentement le bouchon afin de réduire la pression du réservoir.

# CONSIGNES DE SÉCURITÉ

- Évitez de créer une source d'allumage pour le carburant déversé. Ne démarrez pas le moteur avant que les vapeurs de carburant ne se soient dissipées.
- Ajoutez le carburant dans un endroit bien aéré et propre en plein air à l'abri des étincelles ou des flammes. N'enlevez lentement le bouchon du réservoir d'essence qu'après avoir arrêté le moteur. Ne fumez pas pendant le remplissage de carburant. Essuyez immédiatement tout déversement de carburant de l'appareil.
- Éloignez l'appareil d'au moins 9.1 m (30 pi) de la source de ravitaillement en carburant avant de démarrer le moteur. Ne fumez pas et éloignez toute source d'étincelles ou de flammes vives du lieu de ravitaillement ou de fonctionnement de l'appareil.

## PENDANT L'UTILISATION DE L'APPAREIL

- Évitez de démarrer ou de faire marcher l'appareil à l'intérieur d'une pièce ou d'un bâtiment fermé. La respiration de fumées d'échappement peut tuer. Ne faites fonctionner cet appareil qu'à l'extérieur dans un endroit bien aéré.
- Portez des lunettes de sécurité conformes aux normes ANSI Z87.1 ainsi que des protège-oreilles durant l'utilisation de l'appareil. Portez un masque facial ou antipoussières si vous travaillez dans un lieu poussiéreux.
- Portez des pantalons épais et longs, des bottes, des gants et une chemise à manches longues. Ne marchez pas pieds nus et évitez les vêtements lâches, bijoux, pantalons courts et sandales. Relevez les cheveux au-dessus des épaules.
- Le protecteur d'accessoire de coupe doit toujours être en place lors de l'utilisation de l'appareil. Ne faites pas marcher l'appareil sans que les deux fils soient bien déployés, en supposant qu'un fil approprié a été installé. Assurez-vous que le fil ne dépasse pas le protecteur de sécurité.
- Cet appareil est muni d'un embrayage. L'accessoire de coupe reste stationnaire lorsque le moteur est au ralenti. Si ce n'est pas le cas, faites régler l'appareil par un technicien agréé.
- Ajustez la poignée selon votre taille pour mieux l'agripper.
- N'utilisez l'appareil qu'en plein jour ou avec un bon éclairage artificiel.
- Évitez tout démarrage accidentel. Mettez-vous en position de démarrage chaque fois que vous tirez sur la corde de démarrage. L'opérateur et l'appareil doivent tous deux être en position stable à ce moment-là. Voir les Instructions de démarrage et d'arrêt.
- Ne vous étirez pas. Tenez-vous toujours bien sur vos pieds en position d'équilibre.
- Tenez toujours l'appareil des deux mains lorsque vous le faites marcher. Agrippez fermement les poignées avant et arrière.
- Gardez les mains, le visage et les pieds éloignés des pièces mobiles. Ne touchez pas et n'essayez pas d'arrêter l'accessoire de coupe en rotation.

- Ne touchez pas le moteur, le boîtier d'engrenages ni le silencieux. Ces pièces deviennent très chaudes à l'utilisation. Elles restent chaudes brièvement après l'arrêt.
- Servez-vous des outils appropriés. N'utilisez cet outil que pour son usage prévu.
- Ne faites pas fonctionner le moteur à un régime plus élevé que nécessaire pour couper, tailler ou faire les bordures. Ne faites pas tourner le moteur à haut régime si vous ne vous faites pas de coupe.
- Arrêtez toujours le moteur lorsque vous suspendez la coupe ou lorsque vous vous déplacez d'un lieu de travail vers un autre.
- Si vous heurtez un corps étranger ou que celui-ci est happé, arrêtez le moteur immédiatement et vérifiez que rien n'a été endommagé. Ne faites pas fonctionner avant réparation des dommages. Ne faites pas marcher l'appareil si les pièces sont desserrées ou endommagées.
- Arrêtez et éteignez le moteur dans les cas suivants: entretien, réparation ou changement d'accessoires ou autres.
- N'utilisez que des pièces de équipement original rechange et accessoires d'origine du fabricant pour cet appareil. Elles sont disponibles auprès de votre concessionnaire agréé. L'utilisation de pièces ou accessoires autres que ceux de équipement original peut causer des blessures graves, endommager l'appareil et annuler sa garantie.
- Gardez l'appareil exempt d'accumulation de végétation ou autres matières. Celles-ci peuvent rester logées entre l'accessoire de coupe et le protecteur.
- Afin de diminuer les risques d'incendie, remplacez tout silencieux ou pare-étincelles défectueux et conservez le moteur et le silencieux exempts d'herbe, de feuilles et d'accumulation excessive de graisse ou de carbone.

## AUTRES AVERTISSEMENTS DE SÉCURITÉ





- N'entreposez jamais l'appareil rempli de carburant dans un édifice où les vapeurs peuvent atteindre une source de flammes vives ou d'étincelles.
- Laissez le moteur se refroidir avant de l'entreposer ou de le transporter. Attachez bien l'appareil pendant le transport.
- Rangez l'appareil dans un endroit verrouillé et sec, ou élevé et sec, hors de portée des enfants, pour éviter une utilisation indésirable ou un accident.
- Ne trempez et n'arrosez jamais l'appareil avec de l'eau ou tout autre liquide. Gardez les poignées sèches, propres et exemptes de débris. Nettoyez après chaque usage. Voir les sections *Nettoyage* et *Entreposage*.
- Conservez ces instructions. Consultez-les souvent et servez-vous en pour instruire d'autres usagers. Si vous prêtez l'appareil à quelqu'un, prêtez-lui également ces instructions.

**CONSERVER CES  
INSTRUCTIONS**

# CONSIGNES DE SÉCURITÉ

## SYMBOLES DE SÉCURITÉ ET INTERNATIONAUX

Ce manuel de l'utilisateur décrit les symboles et pictogrammes de sécurité et internationaux pouvant apparaître sur ce produit. Consultez le manuel de l'utilisateur pour les informations concernant la sécurité, le montage, le fonctionnement, l'entretien et les réparations.

SYMBOLE	SIGNIFICATION	SYMBOLE	SIGNIFICATION
	<ul style="list-style-type: none"><li>• <b>SYMBOLE ALERTE DE SÉCURITÉ</b></li></ul> <p>Indique un danger, un avertissement ou une mise en garde. Ce symbole peut être combiné à d'autres symboles ou pictogrammes.</p>		<ul style="list-style-type: none"><li>• <b>COMMANDE MARCHÉ/ARRÊT</b> ALLUMAGE / DÉMARRAGE / MARCHÉ</li> <li>• <b>COMMANDE MARCHÉ/ARRÊT</b> ARRÊT ou STOP</li></ul>
	<ul style="list-style-type: none"><li>• <b>AVERTISSEMENT - LISEZ LE MANUEL DE L'UTILISATEUR</b></li></ul> <p>Lisez le manuel de l'utilisateur et suivez tous les avertissements et consignes de sécurité. Vous pourriez à défaut entraîner des blessures graves pour vous ou d'autres personnes.</p>		<ul style="list-style-type: none"><li>• <b>AVERTISSEMENT SURFACE CHAUDE</b></li></ul> <p>Ne touchez pas un silencieux ou un cylindre chaud. Vous pourriez vous brûler. Ces pièces deviennent très chaudes à l'utilisation. Elles restent chaudes brièvement après l'arrêt</p>
	<ul style="list-style-type: none"><li>• <b>PORTEZ DES PROTECTIONS (YEUX ET OREILLES)</b></li></ul> <p><b>AVERTISSEMENT:</b> les objets projetés et les bruits forts peuvent endommager la vue et l'ouïe. Portez une visière de norme ANSI Z87.1-1989 et des protège-oreilles pendant l'utilisation.</p>		<ul style="list-style-type: none"><li>• <b>NIVEAU D'HUILE</b></li></ul> <p>Voir le manuel de l'utilisateur pour le type d'huile approprié.</p>
	<ul style="list-style-type: none"><li>• <b>ÉLOIGNEZ LES SPECTATEURS</b></li></ul> <p><b>AVERTISSEMENT:</b> éloignez tout spectateur, les enfants et les animaux domestiques en particulier, d'au moins 15 m (50 pi) de la zone de coupe.</p>		
	<ul style="list-style-type: none"><li>• <b>CARBURANT SANS PLOMB</b></li></ul> <p>Utilisez toujours du carburant sans plomb frais et propre.</p>		
	<ul style="list-style-type: none"><li>• <b>LES OBJETS PROJETÉS ET LA TÊTE ROTATIVE PEUVENT CAUSER DES BLESSURES GRAVES</b></li></ul> <p><b>AVERTISSEMENT:</b> ne faites pas fonctionner sans protecteur de sécurité en plastique. Tenez-vous à l'écart de l'accessoire de coupe rotatif.</p>		

# FAMILIARISEZ-VOUS AVEC L'APPAREIL

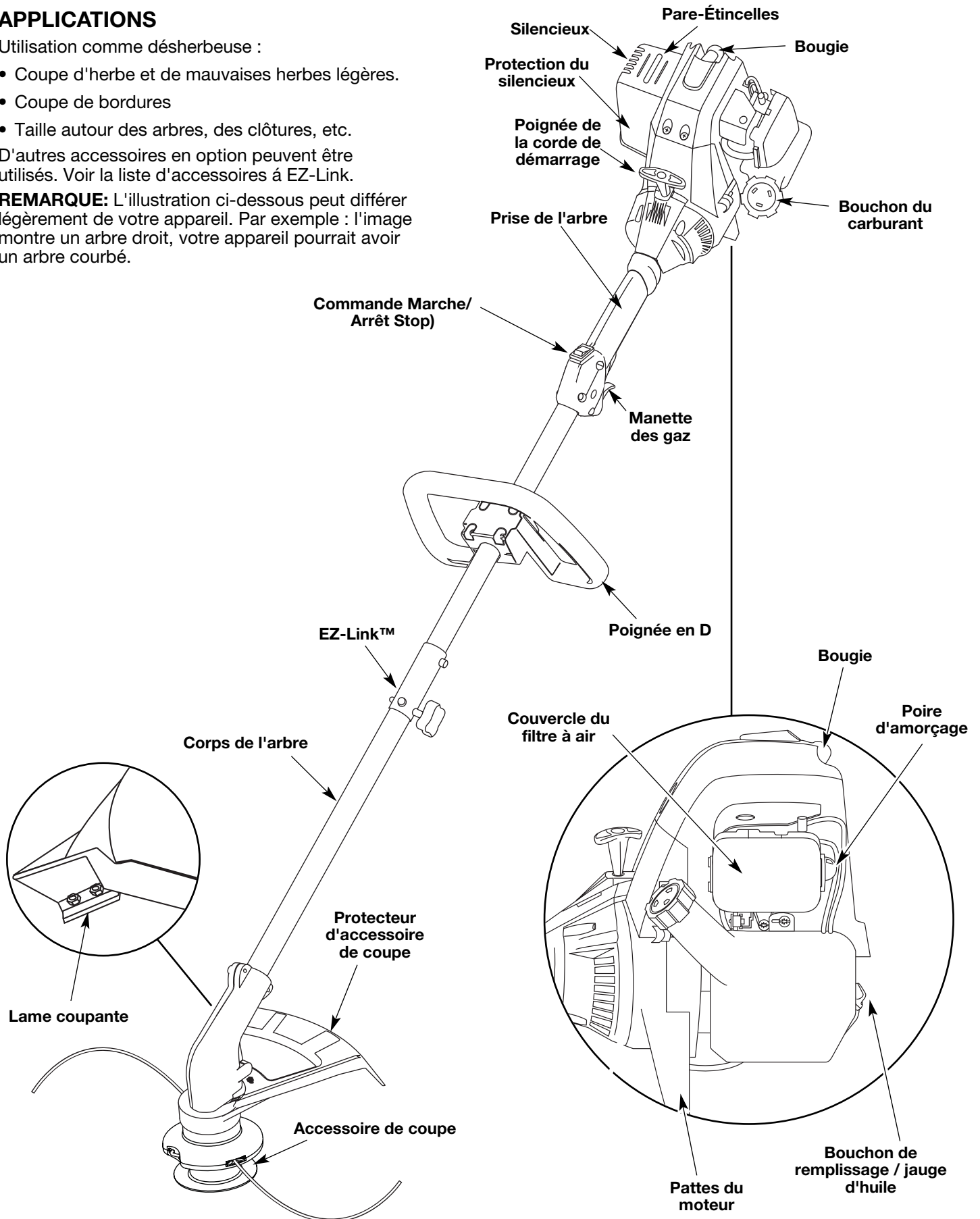
## APPLICATIONS

Utilisation comme désherbeuse :

- Coupe d'herbe et de mauvaises herbes légères.
- Coupe de bordures
- Taille autour des arbres, des clôtures, etc.

D'autres accessoires en option peuvent être utilisés. Voir la liste d'accessoires à EZ-Link.

**REMARQUE:** L'illustration ci-dessous peut différer légèrement de votre appareil. Par exemple : l'image montre un arbre droit, votre appareil pourrait avoir un arbre courbé.



# INSTRUCTIONS DE MONTAGE

## RÉGLAGE DE LA POIGNÉE EN D

Le MP425CS et MP475SS utilise une poignée en forme de D, qui est pré-installée sur l'appareil. Si vous devez la régler, assurez-vous qu'elle soit à au moins 15 cm (6 po) de l'extrémité de la poignée de l'arbre (Fig. 1).

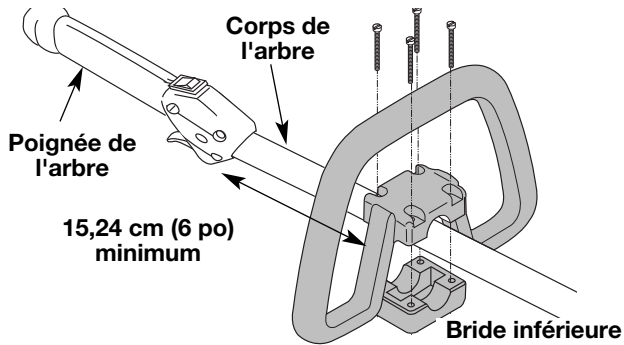


Fig. 1

## INSTALLATION DU PROTECTEUR D'ACCESSOIRE DE COUPE

Suivez les instructions suivantes si le protecteur d'accessoire de coupe n'est pas installé sur l'appareil.



**AVERTISSEMENT:** n'utilisez jamais la désherbeuse sans protecteur d'accessoire de coupe pour éviter des blessures graves.

### MP475

1. Glissez le protecteur d'accessoire de coupe dans son support, situé sur l'accessoire. Alignez les trous à vis du protecteur avec ceux de l'accessoire de coupe (Fig. 2).

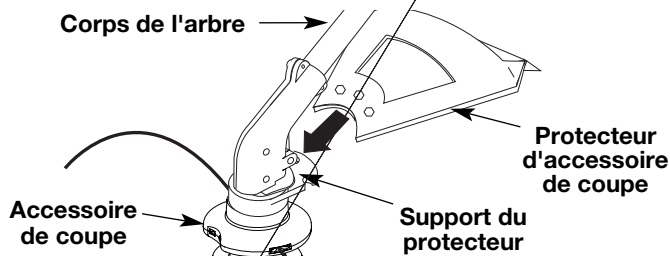
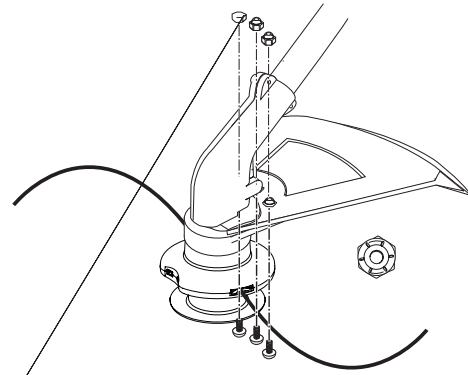


Fig. 2



### MP425

1. Placez l'écran de l'accessoire de coupe sur le logement de l'arbre. Veillez à ce que la patte d'attache de l'écran glisse dans l'encoche au bord de l'écran de coupe. Tournez l'écran dans le sens contraire des aiguilles d'une montre (Fig. 4) pour le mettre en place. Les trous dans la patte d'attache de l'écran et l'accessoire de coupe s'aligneront.

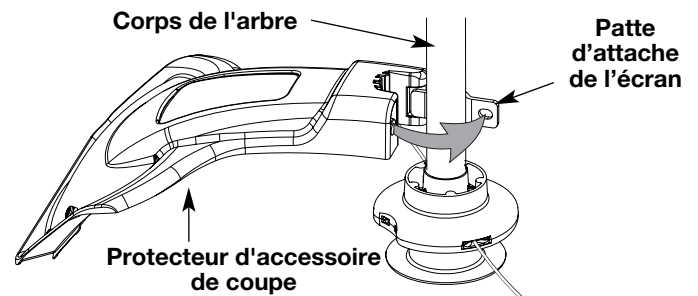


Fig. 4

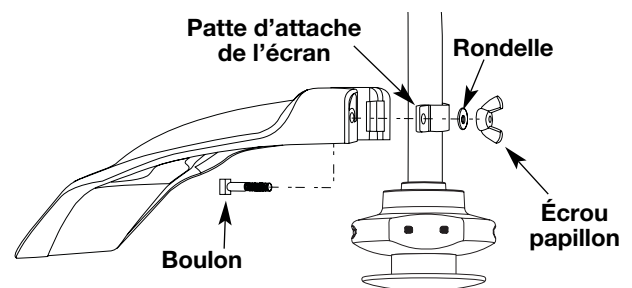


Fig. 5

# INFORMATIONS SUR L'HUILE ET LE CARBURANT



**DANGER:** LE REMPLISSAGE EXCESSIF DU CARTER-MOTEUR PEUT ANTRAÎNER DES BLESSURES GRAVES. Nous ne saurions trop insister sur l'importance de la vérification du niveau d'huile du carter-moteur et de son maintien. Vérifiez l'huile avant chaque utilisation et changez-la au besoin tel qu'indiqué dans la section *Changement d'Huile*.

## TYPE D'HUILE RECOMMANDÉ



Il est extrêmement important d'utiliser les bons type et indice d'huile dans le carter-moteur. Vérifiez l'huile avant chaque utilisation et changez-la périodiquement. Le fait de ne pas utiliser la bonne huile ou d'utiliser une huile sale peut entraîner une usure et une défaillance prématurées du moteur.

Utilisez une huile de haute qualité à indice SAE 30 API (American Petroleum Institute) de type SG, SF, SH.

## AJOUT D'HUILE AU CARTER: MISE EN SERVICE

**REMARQUE:** cet appareil est livré sans huile. Pour éviter d'endommager l'appareil, mettez de l'huile dans le carter moteur avant le démarrage.

Votre appareil est livré avec une bouteille d'huile SAE 30 SF, SG, SH de 90 ml (3,04 oz) (Fig. 6).

**REMARQUE :** conservez la bouteille pour mesurer correctement la quantité nécessaire d'huile plus tard. Voir *Changement d'huile*.

1. Dévisser le bouchon de la bouteille d'huile et retirez le papier couvrant l'ouverture. Remplacez le bouchon. Coupez la pointe de la buse de l'entonnoir (Fig. 6).

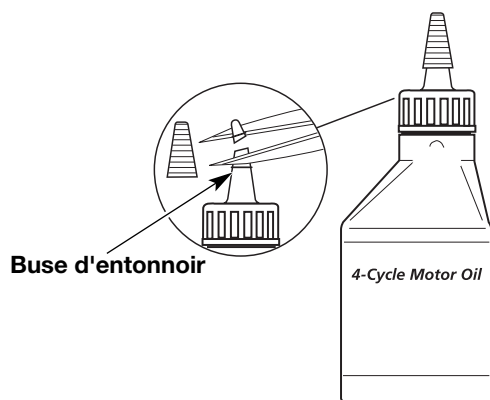


Fig. 6

2. Placez l'appareil sur une surface horizontale plane (Fig. 7).

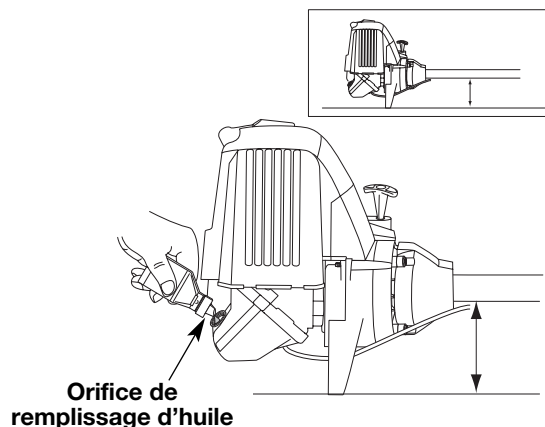


Fig. 7

3. Retirez le bouchon / la jauge d'huile du carter-moteur (Fig. 8).

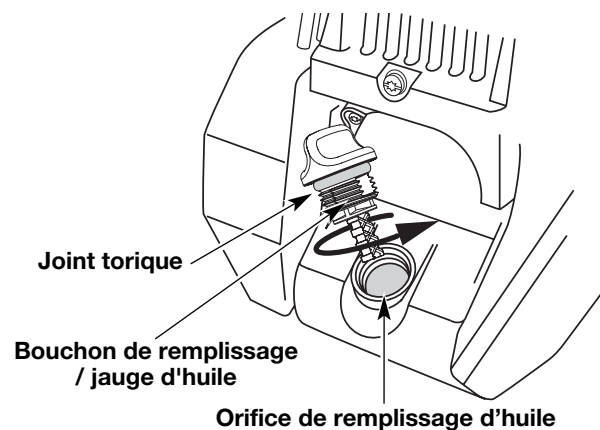


Fig. 8

4. Versez tout le contenu de la bouteille d'huile dans le carter-moteur (Fig. 7).

**REMARQUE:** n'ajoutez jamais d'huile au carburant ni au réservoir de carburant.

5. Essuyez toute trace d'huile déversée et remplacez le bouchon de remplissage / la jauge.

Vérifiez l'huile avant chaque utilisation et changez-la au besoin tel qu'indiqué dans la section *Changement d'Huile*.



# INFORMATIONS SUR L'HUILE ET LE CARBURANT

## TYPE DE CARBURANT RECOMMANDÉ

En général, si l'appareil ne fonctionne pas correctement, c'est que le carburant est vieux ou mal mélangé. Prenez soin d'utiliser du carburant sans plomb frais et propre.

**REMARQUE** : ceci est un moteur à quatre temps. Pour éviter d'endommager l'appareil, **ne mélangez pas l'huile avec l'essence**.

## Définition des carburants mélangés

Les carburants d'aujourd'hui sont souvent un mélange d'essence et d'oxygénés comme l'éthanol, le méthanol ou l'éther MTBE. Un carburant mélangé à l'alcool absorbe l'eau. Il suffit de 1% d'eau pour séparer le carburant et l'huile, ce qui forme de l'acide pendant l'entreposage. Si vous devez utiliser ce type de carburant, servez-vous de carburant frais (moins de 60 jours).

## Usage de carburants mélangés

Si vous choisissez d'utiliser ou ne pouvez éviter d'utiliser un carburant mélangé, suivez les conseils suivants :

- Utilisez toujours un mélange de carburant frais selon le manuel de l'utilisateur.
- Utilisez l'additif STA-BIL<sup>MD</sup> ou un produit équivalent.
- Videz le réservoir et faites marcher le moteur jusqu'à ce qu'il soit à sec avant d'entreposer l'appareil.

## Utilisation d'additifs de carburant

L'utilisation d'additifs de carburant tel que le stabilisant d'essence STA-BIL<sup>MD</sup> ou un produit équivalent permet d'empêcher la corrosion et de minimiser la formation de résidus de gomme. L'usage d'additifs peut empêcher le carburant de former des dépôts nocifs dans le carburateur pendant six (6) mois maximum. Ajoutez 23 ml (0,8 oz) d'additif par 4 litres (1 gallon) de carburant selon les instructions du récipient. N'ajoutez JAMAIS d'additifs directement dans le réservoir de l'appareil.

## AJOUT DE CARBURANT

1. Déposez le bouchon à essence (Fig. 9).



Enlevez

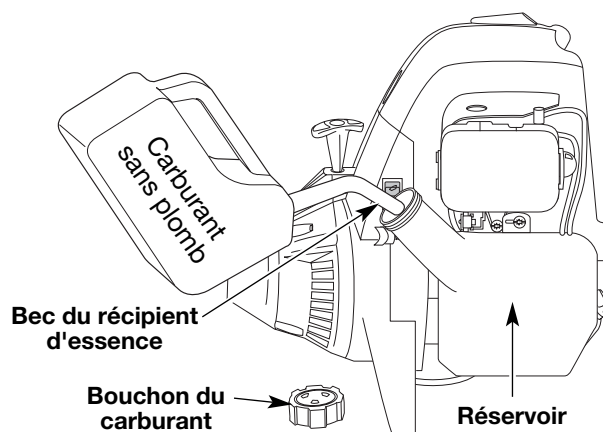


Fig. 9

2. Placez le bec du récipient d'essence dans l'orifice du réservoir (Fig. 9) et remplissez celui-ci.



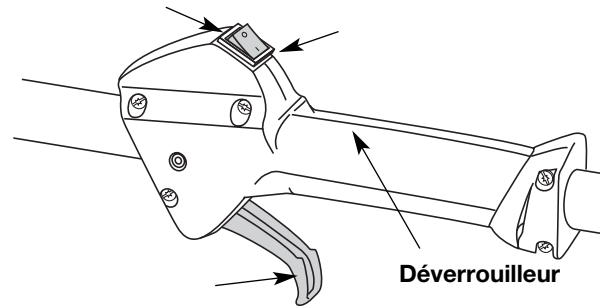
**AVERTISSEMENT:** Ajoutez du carburant dans un lieu propre et bien aéré en plein air. Essayez immédiatement tout déversement de carburant. Évitez de mettre le feu au carburant déversé. Ne démarrez pas le moteur avant dissipation des vapeurs de carburant.

**REMARQUE** : Ne remplissez pas trop le réservoir.

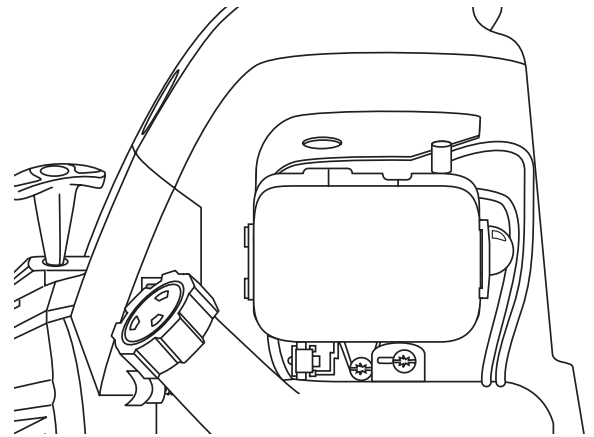
3. Essuyez tout déversement d'essence.
4. Remettez le bouchon du réservoir.
5. Éloignez l'appareil d'au moins 9,1 m (30 pi) de la source et du site de ravitaillement en carburant avant de démarrer le moteur.

**REMARQUE** : Éliminez le vieux carburant conformément aux règlements fédéral, provincial et municipal en vigueur.

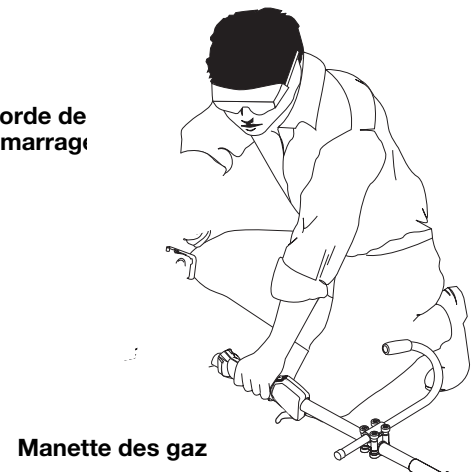
# INSTRUCTIONS DE DÉMARRAGE ET ARRÊT



## INSTRUCTIONS DE DÉMARRAGE



Corde de démarrage





# MODE D'EMPLOI

## FONCTIONNEMENT DU EZ-Link<sup>MC</sup>

Le système EZ-Link<sup>MC</sup> permet d'utiliser ces accessoires optionnels :

Cultivateur .....	GC720r
Edger .....	LE720r
Taille-haies .....	TPAH*
Désherbeuse à arbre droit .....	SS725r
Turbosouffleuse .....	TB720r
Scie à long manche .....	TPPS*
Débroussailluse .....	TPBC*

**\*NE PAS utiliser cet accessoire avec un produit alimenté à l'électricité.**

	<b>AVERTISSEMENT:</b> Avant d'utiliser tout accessoire, veuillez lire et comprendre le manuel accompagnant l'accessoire. Suivez toutes les informations relatives à la sécurité qui y figurent.
---	---

### Retrait de l'accessoire de coupe ou autre

1. Dévissez le bouton vers la gauche (Fig. 14).
2. Appuyez sur le bouton de déclenchement et maintenez-le enfoncé (Fig. 14).
3. Tenez fermement le corps de l'arbre supérieur et retirez l'accessoire de coupe ou autre du coupleur EZ-Link<sup>MC</sup> (Fig. 15).

	<b>AVERTISSEMENT:</b> pour éviter des blessures graves, éteignez l'appareil avant d'enlever ou d'installer des accessoires.
---	---

### Installation de l'accessoire de coupe ou autre

**NOTE :** pour faciliter l'installation ou le retrait d'accessoires, placez l'appareil au sol ou sur un établi.

1. Dévissez le bouton vers la gauche (Fig. 14).

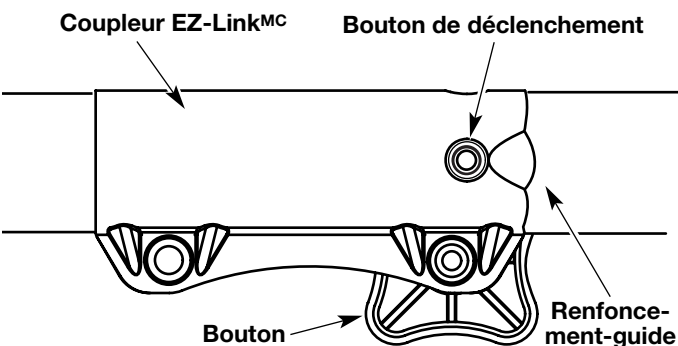


Fig. 14

2. Tenez fermement l'accessoire et enfoncez-le tout droit dans le coupleur EZ-Link<sup>MC</sup> (Fig. 15).

**NOTE :** aligner le bouton de déclenchement avec le renforcement-guide facilitera l'installation (Fig. 14).

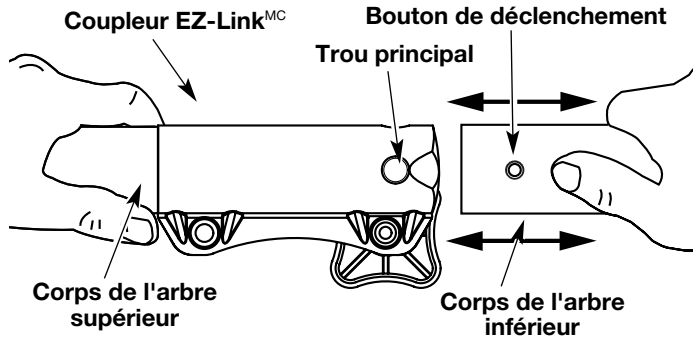


Fig. 15

3. Serrez le bouton en le tournant à droite (Fig. 16).

	<b>MISE EN GARDE:</b> verrouillez le bouton de déclenchement dans le trou principal et vissez bien le bouton avant de faire marcher l'appareil.
---	---

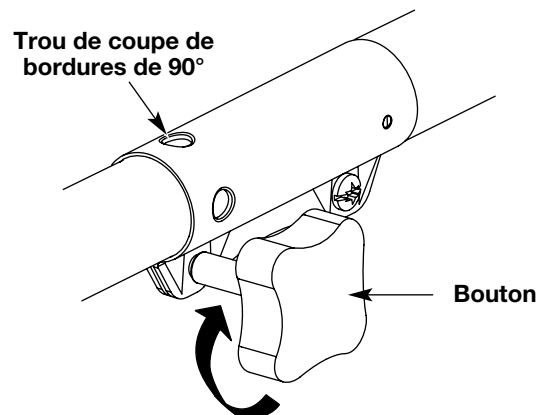



Fig. 16

	<b>MISE EN GARDE:</b> l'accessoire de coupe et autres ajouts du système EZ-Link <sup>MD</sup> doivent utiliser le trou principal sauf indication contraire de leurs manuels. L'utilisation du mauvais trou pourrait causer des blessures graves ou endommager l'appareil.
---	---

Pour couper les bordures à l'aide de la tête d'accessoire de coupe sur les modèle EZ-Link<sup>MC</sup>, verrouillez le bouton de déclenchement de l'accessoire de coupe dans le trou de 90° (Fig. 16).

# MODE D'EMPLOI

## TENUE DE LA DÉSHERBEUSE



**AVERTISSEMENT:** portez toujours des protections (yeux, oreilles, pieds et corps) pour diminuer les risques de blessures durant l'utilisation de l'appareil.

Avant de faire marcher l'appareil, tenez-vous en position de fonctionnement (Fig. 17). Vérifiez les points suivants:

- L'opérateur porte une visière et des vêtements appropriés.
- Le bras droit est légèrement plié et la main tient l'arbre par sa prise.
- Le bras gauche est droit et la main tient la poignée.
- L'appareil est au-dessous de la ceinture.
- L'accessoire de coupe est parallèle au sol et touche facilement la végétation sans que l'opérateur ne doive se pencher.



Fig. 17

## CONSEILS POUR BIEN DÉSHERBER

- Pour meilleurs résultats qui taillent, opérer l'unité à plein étrangle.
- Le bon angle pour l'accessoire de coupe est parallèle au sol.
- Ne forcez pas l'accessoire. Coupez avec la pointe du fil (surtout le long des murs). Utiliser plus que la pointe diminue l'efficacité de la coupe et peut surcharger le moteur.
- Coupez l'herbe de plus de 200 mm (8 po) en procédant de haut en bas par petits incréments pour éviter d'user le fil prématurément ou de freiner le moteur.
- La Coupe de la droite pour partir.
- Déplacez lentement la désherbeuse dans et hors de la zone de coupe à la hauteur voulue. Procédez d'avant en arrière ou d'un côté à l'autre. Les coupes de longueur plus courte donnent les meilleurs résultats.
- Ne désherbez que lorsque l'herbe et les mauvaises herbes sont sèches.
- La durée de vie de votre fil de coupe dépend
  - de l'application des techniques de coupe précédentes
  - du type de végétation à couper
  - du lieu de coupe

Par exemple, le fil s'use plus vite si vous coupez le long d'un mur de fondation que si vous coupez autour d'un arbre.

## COUPE DÉCORATIVE

La coupe décorative consiste à déblayer la végétation autour des arbres, des bornes, des clôtures, etc.

Tournez entièrement l'appareil de manière à ce que l'accessoire de coupe soit à un angle de 30° par rapport au sol (Fig. 18).

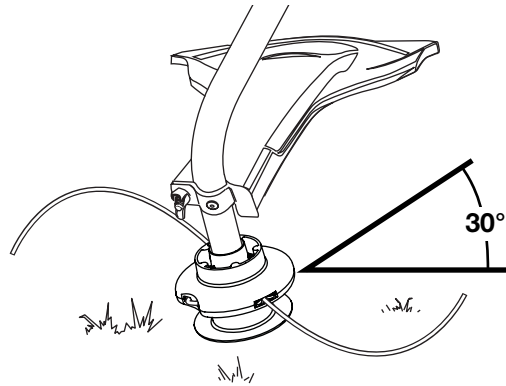


Fig. 18

# ENTRETIEN ET RÉPARATIONS

**REMARQUE :** certaines procédures d'entretien nécessitent des compétences ou des outils particuliers. Si vous n'êtes pas sûr de pouvoir les entreprendre, emmenez votre appareil dans un atelier, chez un technicien ou un concessionnaire agréé spécialisé dans les réparations de moteurs d'outils mécaniques de plein air.

**REMARQUE:** l'entretien, le remplacement ou la réparation des dispositifs et systèmes antipollution peuvent être effectués par tout atelier, technicien ou concessionnaire agréé spécialisé dans les réparations de moteurs d'outils mécaniques de plein air.

## PROGRAMME D'ENTRETIEN

L'entretien doit respecter la fréquence indiquée dans le tableau ci-dessous. Il doit également faire partie de toute mise au point saisonnière.

**AVERTISSEMENT:** pour éviter tout accident, n'effectuez jamais l'entretien ou des réparations quand l'appareil fonctionne. Effectuez-les toujours lorsqu'il est froid. Débranchez le câble de la bougie pour prévenir la mise en route.

FRÉQUENCE	ENTRETIEN REQUIS	RÉFÉRENCE
Avant le démarrage du moteur	Remplissez le réservoir de carburant frais Vérifiez l'huile	Page F9 Page F14
Toutes les 10 heures	Nettoyez le filtre à air et lubrifiez-le de nouveau	Page F15
Premier changement après 10 heures Toutes les 25 heures après Toutes les 25 heures	Changez l'huile Changez l'huile Nettoyez le pare-étincelles	Page F14 Page F14 Page F18
10 heures pour un moteur neuf Toutes les 25 heures Toutes les 25 heures	Vérifiez et réglez le jeu entre soupape et culbuteur Vérifiez et réglez le jeu entre soupape et culbuteur Vérifiez l'état de la bougie et l'écartement des électrodes	Page F17 Page F17 Page F18

**AVERTISSEMENT:** n'utilisez jamais de fil, de chaîne ou de cordon à renfort métallique car ils peuvent se briser et se transformer en projectile dangereux.

## INSTALLATION DU FIL DE COUPE

Utilisez toujours le fil de remplacement de 2,667 mm (0,105 pouce) original du fabricant. Les fils autres que ceux spécifiés peuvent entraîner une surchauffe ou une panne du moteur.

Installation du fil de coupe :

1. Insérez chaque extrémité du fil de remplacement dans les trous des deux côtés du crochet de retenue (Fig. 19).
2. Poussez les extrémités à travers jusqu'à ce qu'elles dépassent des côtés de la tête (Fig. 20).
3. Tirez sur les extrémités pour les faire passer à travers en vous assurant que les bouts sont de longueur égale et que le milieu du fil est centré entre les trous d'insertion (Fig. 21).
4. Si les bouts ne sont pas de longueur égale, repoussez le bout le plus long dans la tête et tirez sur le bout le plus court pour compenser. Répétez jusqu'à ce que chaque bout soit de la même longueur.

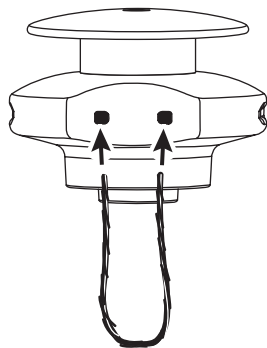


Fig. 19

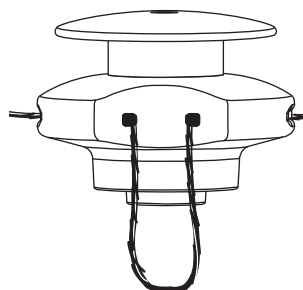


Fig. 20

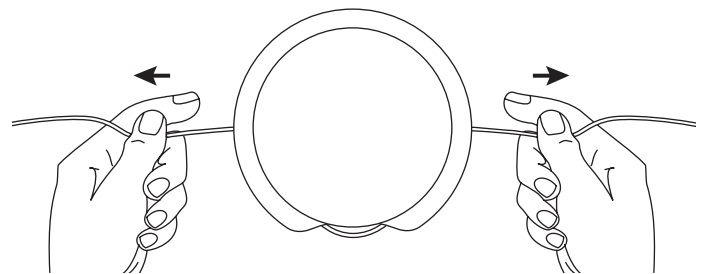


Fig. 21

5. Poussez le fil de la débroussailleuse derrière le crochet pour l'empêcher de se détacher en cours de fonctionnement (Fig. 22).

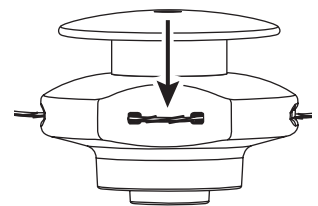


Fig. 22

**AVERTISSEMENT:** utilisez toujours la bonne longueur de fil lorsque vous posez le fil sur l'appareil.

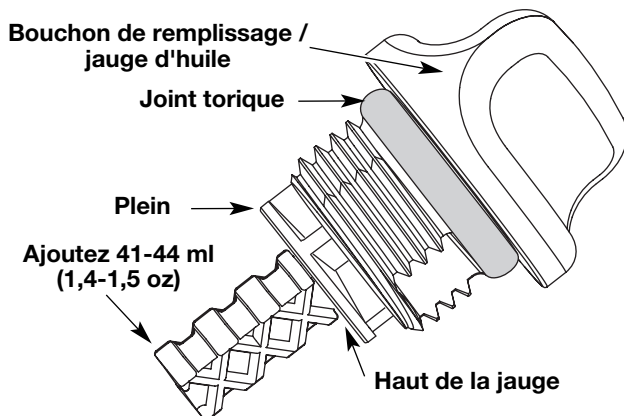


Fig. 23

6. Si le niveau est trop bas, ajoutez un peu d'huile par l'orifice et revérifiez (Fig. 24). Continuez jusqu'à ce que le niveau d'huile atteigne le haut de la jauge.

**REMARQUE :** Ne remplissez pas trop l'appareil.

**REMARQUE :** Assurez-vous que le joint torique est mis sur le bouchon de remplissage / jauge d'huile au moment de la vérification et du changement d'huile (Fig. 24).

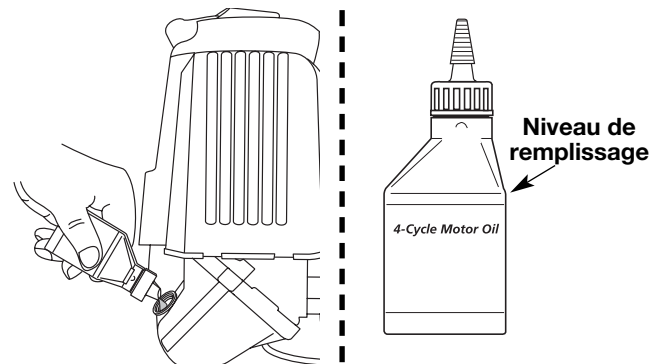
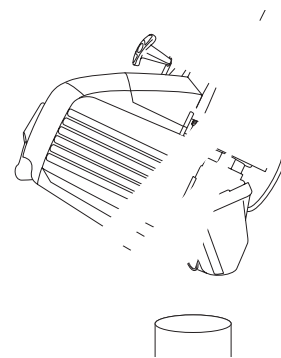


Fig. 26

6. Remplacez le bouchon de remplissage / jauge d'huile.
7. Rebranchez le couvre-borne de bougie.

# ENTRETIEN ET RÉPARATIONS

## ENTRETIEN DU FILTRE À AIR

### Nettoyage du filtre à air



**AVERTISSEMENT:** Pour éviter des blessures graves, éteignez toujours l'appareil et laissez-le refroidir avant tout nettoyage ou entretien.

Nettoyez et lubrifiez le filtre à air à toutes les 10 heures de fonctionnement. C'est l'un des éléments les plus importants pour l'entretien. Tout manquement à l'entretien du filtre à air peut entraîner une baisse de performances ou causer des dégâts permanents à votre moteur.

1. Ouvrez le couvercle du filtre à air. Enfoncez la languette à droite du couvercle, tirez celui-ci vers vous puis vers la gauche (Fig. 27).

**REMARQUE :** Il peut s'avérer nécessaire de retirer le bouchon du réservoir pour enlever le couvercle du filtre.

2. Retirez le filtre à air (Fig. 27).

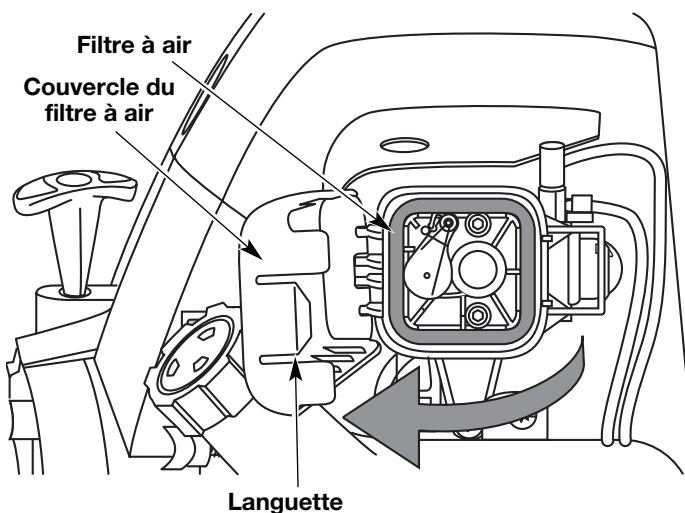


Fig. 27

3. Lavez le filtre dans un mélange d'eau et de détergent (Fig. 28). Rincez le filtre abondamment et laissez-le sécher.
4. Appliquez une quantité suffisante d'huile moteur propre SAE 30 pour enduire légèrement le filtre (Fig. 29).

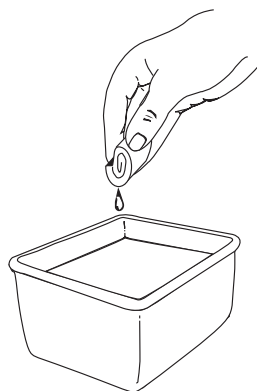


Fig. 28

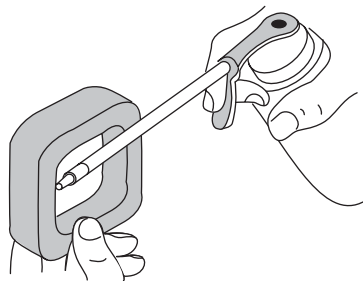


Fig. 29

5. Pressez le filtre pour répartir et drainer l'excédent d'huile (Fig. 30).

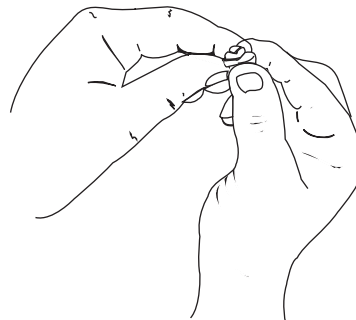


Fig. 30

6. Remplacez le filtre (Fig. 31).

**REMARQUE :** Si vous faites fonctionner l'appareil sans filtre à air, vous **ANNULEREZ** la garantie.

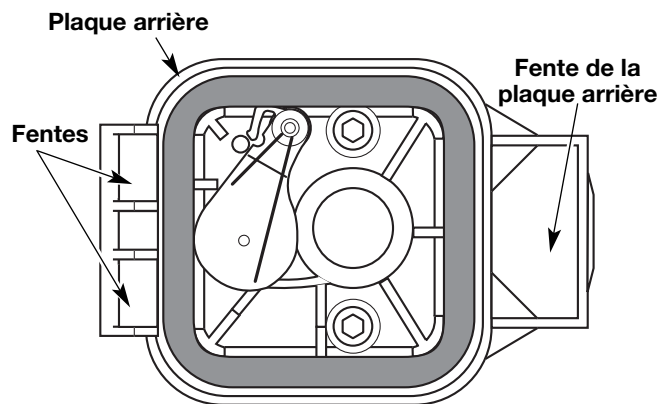


Fig. 31

7. Réinstallez le couvercle du filtre à air. Placez les crochets à gauche du filtre à air dans les fentes à gauche de la plaque arrière (Fig. 31).

**REMARQUE :** Il peut s'avérer nécessaire de retirer le bouchon du réservoir pour réinstaller le couvercle du filtre.

8. Pivotez le couvercle vers la droite jusqu'à ce que la languette du couvercle du filtre s'enfonce d'un déclic dans la plaque arrière (Fig. 31).
9. Remplacez le bouchon du réservoir si vous l'aviez retiré.

## RÉGLAGE DU CARBURATEUR

La vitesse de ralenti du moteur est réglable à l'aide d'une vis de réglage accessible par un trou situé sur le dessus du couvercle du moteur (Fig. 32).

**REMARQUE :** Un réglage négligé peut sérieusement endommager l'appareil. Confiez les réglages de carburateur à un concessionnaire agréé.

### Vérification du carburant

En général, si l'appareil ne fonctionne pas correctement, c'est que le carburant est vieux. Videz puis remplissez le réservoir de carburant sans plomb frais et propre avant d'effectuer des réglages. Voir *Informations sur l'huile et le carburant*.

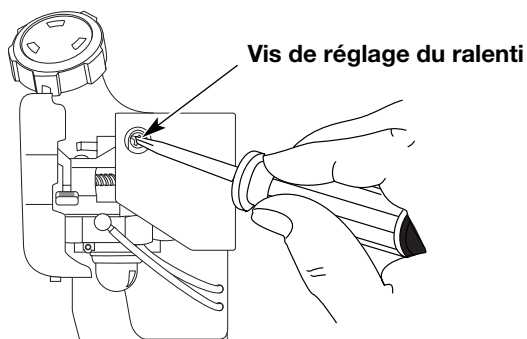


Fig. 32

## Nettoyage du filtre à air

L'état du filtre à air est très important pour le fonctionnement de l'appareil. Un filtre à air sale restreint le débit d'air et affecte le mélange de carburant/air. On confond souvent cela avec un mauvais réglage du carburateur. Vérifiez l'état du filtre à air avant de régler la vis de réglage de ralenti. Voir *Entretien du filtre à air*.

## Réglage de la vis de réglage de ralenti



**AVERTISSEMENT:** il se peut que l'accessoire de coupe tourne pendant le réglage de la vitesse de ralenti. Portez des vêtements protecteurs et respectez toutes les consignes de sécurité pour éviter des blessures graves.

Si le moteur ne se met toujours pas au ralenti après vérification du carburant et nettoyage du filtre à air, réglez la vis de ralenti comme suit :

1. Démarrez le moteur et laissez-le tourner à haut régime pendant une minute pour se réchauffer.
2. Relâchez le levier d'accélérateur et laissez le moteur au ralenti. Si le moteur s'arrête, insérez un petit tournevis à embout cruciforme ou à tête plate dans le trou du couvercle du moteur (Fig. 32). Vissez la vis de réglage du ralenti de 1/8 de tour à la fois (selon le besoin) jusqu'à ce que le moteur tourne au ralenti.

**REMARQUE :** l'accessoire de coupe ne devrait pas tourner lorsque le moteur est au ralenti.

3. S'il tourne, **dévissez** la vis de ralenti de 1/8 de tour à la fois (selon le besoin) pour réduire la vitesse de ralenti.

La vérification de carburant, le nettoyage du filtre à air et le réglage de la vis de ralenti devraient résoudre la plupart des problèmes de moteur. Dans le cas contraire et si :

- le moteur ne se met pas au ralenti
- le moteur hésite ou cale lors d'une accélération
- le moteur perd de sa puissance

faites régler le carburateur par un distributeur agréé.



**AVERTISSEMENT:** une fois l'appareil éteint, pour éviter des blessures graves assurez-vous que l'accessoire de coupe est arrêté avant de poser l'appareil.

## JEU ENTRE SOUPAPE ET CULBUTEUR

Ceci nécessite de démonter le moteur. Si vous ne vous sentez pas à l'aise de le faire, confiez l'appareil à un centre de service agréé.

**REMARQUE :** Inspectez le jeu entre soupape et culbuteur à l'aide d'une jauge d'épaisseur après les 10 premières heures de fonctionnement, puis par intervalle de 25 heures par la suite.

- Attendez que le moteur soit froid avant de vérifier ou de régler le jeu de la soupape.
  - Faites-le à l'intérieur, dans un endroit propre et sans poussière.
1. Retirez le couvercle du silencieux en appuyant sur le coin à l'aide d'un tournevis à lame plate (Fig. 33). Glissez les encoches sur les côtés du couvercle par-dessus les languettes du couvercle du moteur et retirez le couvercle.

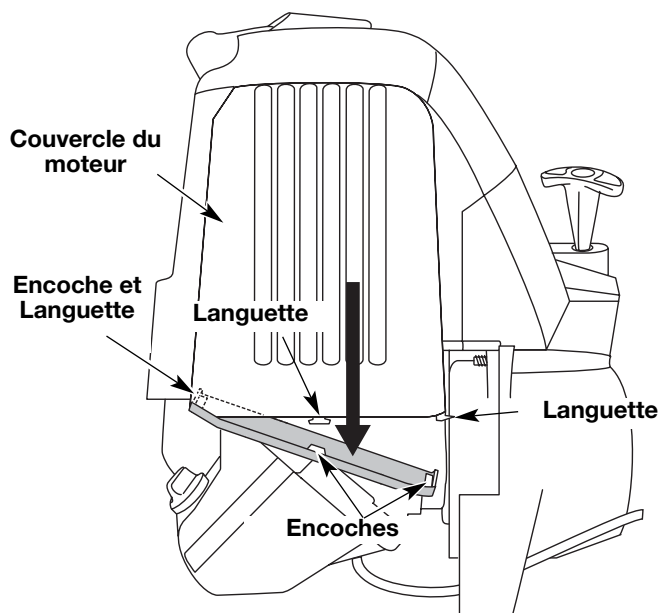


Fig. 33

2. Enlevez les deux vis (2) du haut du couvercle du moteur à l'aide d'un tournevis à lame plate ou T-25 Torx (Fig. 34).

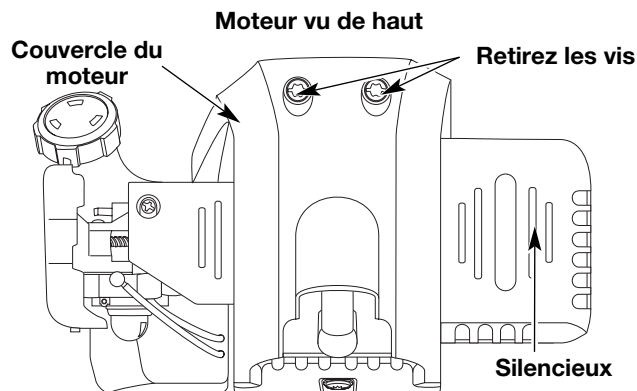


Fig. 34



# ENTRETIEN ET RÉPARATIONS

3. Enlevez la vis derrière le couvercle du moteur (Fig. 35).

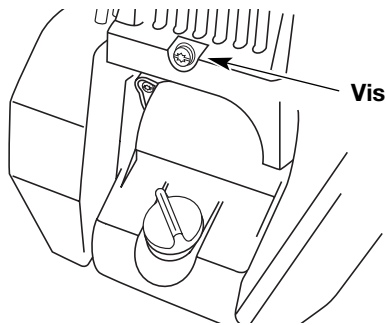


Fig. 35

4. Déconnectez le câble de la bougie.  
 5. Nettoyez toute saleté de la bougie. Retirez la bougie de la culasse en tournant la douille de 5/8 po à gauche.  
 6. Déposez le couvercle du moteur (Fig. 33).  
 7. Nettoyez toute saleté autour du cache-culbuteur. Retirez la vis retenant le cache-culbuteur à l'aide d'un tournevis à lame plate large ou à mèche no. T-25 Torx (Fig. 36). Enlevez le cache-culbuteur et le joint.

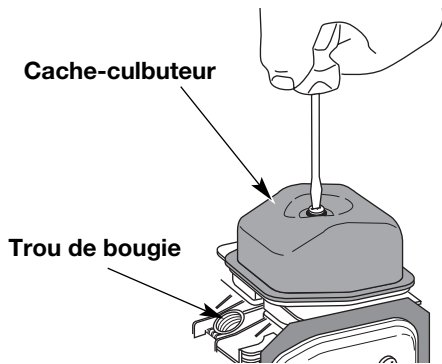


Fig. 36

8. Tirez lentement sur la corde de démarrage pour ramener le piston au sommet de sa course dit « point mort haut ». Vérifiez que :
- Le piston est au sommet de sa course lorsqu'on regarde par le trou de la bougie (Fig. 36)
  - Les deux culbuteurs se déplacent librement et les deux soupapes sont fermées

Si ce n'est pas le cas, répétez la procédure.

9. Glissez la jauge d'épaisseur entre le culbuteur et le ressort de rappel de la soupape. Mesurez le jeu entre la tige de soupape et le culbuteur (Fig. 37). Faites-le pour les soupapes d'admission et d'échappement.

L'écart de jeu recommandé pour l'admission est de 0,076 – 0,152 mm (0,003 – 0,006 po). L'écart de jeu recommandé pour l'échappement est de 0,330 – 0,406 mm (0,013 – 0,016 po).

Servez-vous d'une jauge d'épaisseur d'automobile standard de 0,127 et 0,381mm (0,005 et 0,015 po). La jauge d'épaisseur devrait pouvoir glisser entre le culbuteur et la tige de soupape en rencontrant une faible résistance mais sans coller (Fig. 37 & 38).

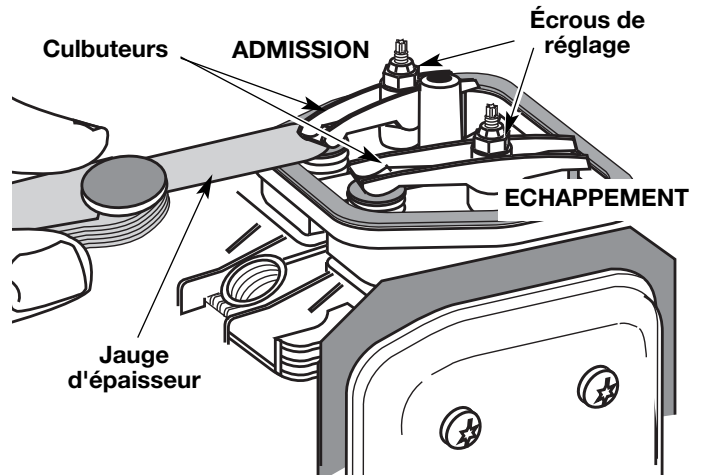


Fig. 37

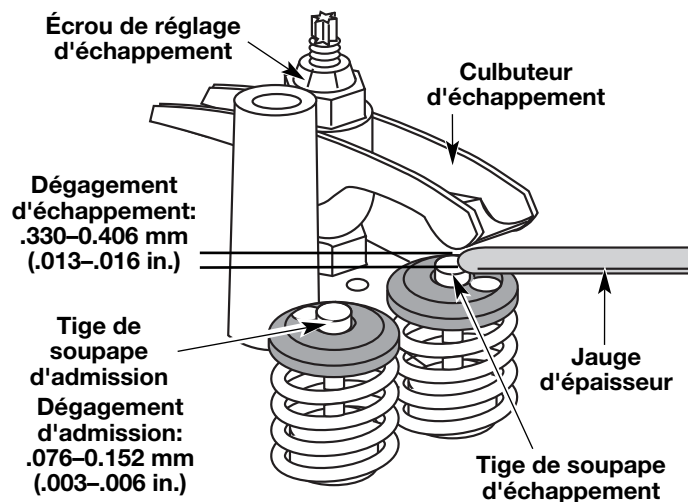


Fig. 38

10. Si le jeu n'est pas conforme:
- Tournez l'écrou de réglage à l'aide d'une clé de 8 mm (5/16 po) ou d'un tournevis à embout hexagonal (Fig. 38).
    - Pour augmenter le jeu, tournez l'écrou de réglage vers la gauche.
    - Pour réduire le jeu, tournez l'écrou de réglage vers la droite.
  - Revérifiez les deux jeux de soupape et réglez-les au besoin.
11. Remplacez le cache-culbuteur en mettant un joint neuf. Serrez la vis avec un couple de serrage de 2,2-3,4 N•m (12 po•lb).
12. Remplacez le couvercle du moteur. Vérifiez l'alignement du couvercle avant de serrer les vis. Vissez bien.
13. Remplacez le couvercle du silencieux. Glissez avec un déclic les encoches sur les côtés du couvercle par-dessus les languettes du couvercle du moteur (Fig. 29).
14. Vérifiez l'état de la bougie et remplacez-la. Voir *Remplacement de la bougie*.
15. Remplacez le câble de la bougie.

# ENTRETIEN ET RÉPARATIONS

## REPLACEMENT DE LA BOUGIE

Utilisez une bougie 791-180852. L'écartement correct est de 0,635 mm (0,025 po). Retirez la bougie après 25 heures de fonctionnement et vérifiez son état.

1. Arrêtez le moteur et laissez-le refroidir. Saisissez fermement le câble de la bougie et retirez le capuchon de celle-ci.
2. Nettoyez toute saleté de la bougie. Retirez la bougie de la culasse en tournant la douille de 5/8 po à gauche.
3. Remplacez toute bougie fendillée, encrassée ou sale. Réglez l'écartement à 0,635 mm (0,025 po) à l'aide d'une jauge d'épaisseur (Fig. 39).

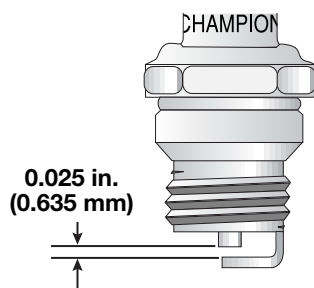


Fig. 39

4. Installez la bougie ajustée dans la culasse. Tournez la douille de 5/8 po à droite jusqu'à bien la visser.

Si vous utilisez une clé dynamométrique, vissez selon les valeurs suivantes :

**12,3-13,5 Nom (110-120 poolb).**

**Évitez de trop serrer.**



## ENTRETIEN DU PARE-ÉTINCELLES

1. Retirez le couvercle du silencieux. Voir *Jeu entre soupape et culbuteur*.
2. Retirez la vis retenant le couvercle du pare-étincelles au silencieux à l'aide d'un tournevis à lame plate ou à mèche no. T-20 Torx (Fig. 40).

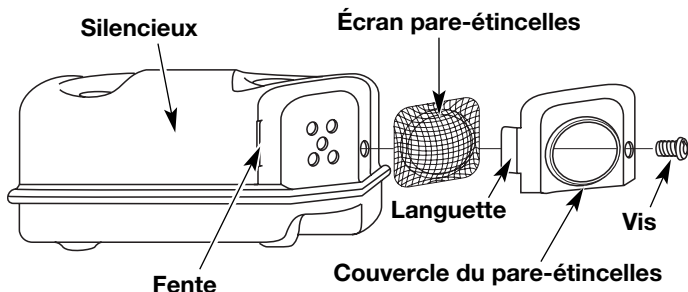
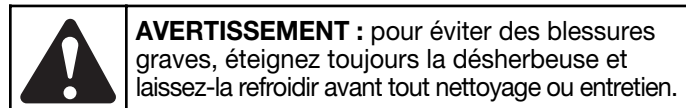


Fig. 40

3. Retirez la languette du couvercle du pare-étincelles hors du silencieux. Retirez le couvercle du pare-étincelles.
4. Retirez l'écran du pare-étincelles du couvercle de celui-ci.

5. Nettoyez l'écran du pare-étincelles avec une brosse métallique ou remplacez-le.
6. Remplacez l'écran, le couvercle et la vis du pare-étincelles.

## NETTOYAGE



Nettoyez l'extérieur de l'appareil à l'aide d'une petite brosse. N'utilisez pas de détergents concentrés. Les nettoyants ménagers contenant des huiles aromatiques tel que le pin et le citron, et les solvants tel que le kérosène peuvent endommager le boîtier ou la poignée en plastique. Essuyez toute trace d'humidité à l'aide d'un tissu doux.

## ENTREPOSAGE

- Ne rangez jamais l'appareil plein de carburant dans un lieu où les vapeurs peuvent atteindre une flamme vive ou des étincelles.
- Laissez le moteur refroidir avant de l'entreposer.
- Rangez l'appareil dans un lieu verrouillé pour éviter toute utilisation ou accident indésirable.
- Rangez l'appareil dans un lieu sec et bien aéré.
- Rangez l'appareil hors de la portée des enfants.

## ENTREPOSAGE DE LONGUE DURÉE

1. Videz toute l'essence du réservoir dans un récipient. N'utilisez pas d'essence stockée pendant plus de 60 jours. Éliminez le vieux carburant conformément aux règlements fédéral, provincial et municipal en vigueur.
2. Démarrez le moteur, puis laissez-le tourner jusqu'à ce qu'il cale. Cela permet de s'assurer que le carburateur s'est vidé de son carburant.
3. Laissez le moteur refroidir. Retirez la bougie et versez environ 5 drops d'huile moteur de qualité dans le cylindre. Tirez lentement sur la corde de démarrage pour bien distribuer l'huile. Remplacez la bougie.

**REMARQUE :** Retirez la bougie et videz toute l'huile du cylindre avant de mettre en marche la désherbeuse après une période d'entreposage.

4. Changez l'huile. Voir *Changement d'huile*. Éliminez la vieille huile conformément aux règlements fédéral, provincial et municipal en vigueur.
5. Nettoyez soigneusement l'appareil et vérifiez qu'il ne comporte pas de pièces desserrées ou endommagées. Réparez ou remplacez les pièces endommagées, puis serrez les vis, écrous et boulons desserrés. L'appareil est alors prêt pour l'entreposage.

## TRANSPORT

- Laissez le moteur refroidir avant le transport.
- Vidangez tout le carburant de l'appareil.
- Serrez le bouchon du réservoir avant le transport.
- Attachez bien l'appareil lors du transport.



# DÉPANNAGE

## LE MOTEUR REFUSE DE DÉMARRER

### CAUSE

Réservoir de carburant vide  
La poire d'amorçage n'a pas été pressée assez fort  
Carburant vieux  
Bougie encrassée  
Pare-étincelles colmaté  
Le levier de démarrage à froid est en position FERME lorsque la température dehors dépasse 4°C (40°F)  
Le levier de démarrage à froid est en position OUVERT lorsque la température est sous 4°C (40°F)

### SOLUTION

Remplissez-le de carburant frais  
Pressez-la complètement et lentement de 10 fois  
Drainez le réservoir/ajoutez du carburant frais  
Remplacez ou nettoyez-la  
Nettoyez ou remplacez le pare-étincelles  
Remettez le levier de démarrage à froid en position OUVERT  
Remettez le levier de démarrage à froid en position FERME et voir les *Instructions de démarrage*

## LE MOTEUR REFUSE DE SE METTRE AU RALENTI

### CAUSE

Filtre à air bouché  
Carburant vieux  
Mauvais réglage du carburateur

### SOLUTION

Remplacez ou nettoyez-le  
Drainez le réservoir/ajoutez du carburant frais  
Ajustez selon l'instruction

## LE MOTEUR REFUSE D'ACCÉLÉRER

### CAUSE

Carburant vieux  
Mauvais réglage du carburateur  
Accessoire de coupe engorgé d'herbes  
Filtre à air sale  
Pare-étincelles colmaté

### SOLUTION

Drainez le réservoir/ajoutez du carburant frais  
Faites-le régler par un concessionnaire agréé  
Arrêtez le moteur et nettoyez l'accessoire  
Remplacez ou nettoyez-le  
Nettoyez ou remplacez le pare-étincelles

## LE MOTEUR MANQUE DE PUISSANCE OU SE CALE DURANT LA COUPE

### CAUSE

Carburant vieux  
Mauvais réglage du carburateur  
Bougie encrassée  
Pare-étincelles colmaté

### SOLUTION

Drainez le réservoir/ajoutez du carburant frais  
Faites-le régler par un concessionnaire agréé  
Remplacez ou nettoyez-la  
Nettoyez ou remplacez le pare-étincelles

**Si vous avez besoin d'aide, contactez votre concessionnaire agréé.**

# CARACTÉRISTIQUES

## MOTEUR\*

Type de moteur .....	Refroidi par air, 4-temps
Cylindrée.....	26,2 cc (1,6 po <sup>3</sup> )
Type d'embrayage .....	Centrifuge
Régime de fonctionnement.....	6,800 - 9,300 tr/min
Régime ralenti .....	2,800 - 3,600 tr/min
Type d'allumage .....	Électronique
Contact d'allumage .....	Interrupteur berceau
Jeu de soupape d'admission .....	0,076-0,152 mm (0,003-0,006 po)
Jeu de soupape d'échappement .....	0,330-0,406 mm (0,013-0,016 po)
Écartement de la bougie .....	0,635 mm (0,025 po)
Lubrification .....	Huile SAE 30
Contenance en huile du carter moteur .....	90 ml (3,04 oz)
Carburant .....	Sans plomb
Carburateur.....	Membrane, toutes positions
Démarrreur .....	Rembobinage automatique
Silencieux .....	Chicane avec protection
Accélérateur .....	À rappel manuel
Capacité du réservoir de carburant .....	355 ml (12 oz)

## ARBRE D'ENTRAÎNEMENT et ACCESSOIRE DE COUPE\*

Logement de l'arbre d'entraînement .....	Tube acier (EZ-LinkMD)	
Manette des gaz.....	Détente à portée du doigt Poids de l'appareil (sans carburant, avec poignée, protecteur d'accessoire de coupe et accessoire de coupe) .....	6 kg (13,15 lb)
Mécanisme de coupe: .....	Tête de coupe	
Diamètre du fil: .....	2,67 mm (0,105 po)	

\*Toutes les spécifications contenues dans ce manuel tiennent compte des dernières informations techniques disponibles au moment de mettre sous presse. Nous nous réservons le droit d'y apporter des modifications à tout moment, sans préavis.

# REMARQUES

## GARANTIE LIMITÉE DU FABRICANT POUR:

# MTD PRO<sup>®</sup>

La garantie limitée énoncée ci-après est accordée par MTD LLC et concerne les marchandises neuves achetées et utilisées aux États-Unis, ses possessions et territoires.

MTD garantit ce produit contre tout vice de matière ou de façon pendant une période de deux (2) ans à compter de la date d'achat initiale et elle se réserve le choix de réparer ou de remplacer, à titre gratuit, toute pièce présentant un vice de matière ou de façon. Cette garantie limitée ne s'appliquera que dans la mesure où le produit aura été utilisé et entretenu conformément au Manuel de l'utilisateur fourni avec le produit et n'aura pas fait l'objet d'un usage inadéquat, abusif, commercial ou négligent, d'un accident, d'un entretien inadéquat, d'une modification, de vandalisme, d'un vol, d'un incendie, de dégâts d'eau ou d'un endommagement résultant d'un autre péril ou d'un désastre naturel. Les dommages résultants de l'installation ou de l'utilisation de tout accessoire ou équipement non approuvé par MTD pour une utilisation avec le(s) produit(s) couvert(s) par le présent manuel annuleront la garantie en ce qui concerne les dommages qui en résulteraient éventuellement. La présente garantie est limitée à quatre-vingt-dix (90) jours à compter de la date d'achat au détail initiale pour tout produit MTD utilisé à des fins locatives ou commerciales, ou toute utilisation produisant des revenus.

**POUR L'OBTENTION DU SERVICE DE GARANTIE :** le service au titre de la garantie est disponible, SUR PRÉSENTATION D'UNE PREUVE D'ACHAT, AUPRÈS DU DISTRIBUTEUR AGRÉÉ LOCAL. Pour trouver un distributeur dans votre région, visitez notre site Web [www.mtdproducts.com](http://www.mtdproducts.com), consultez les Pages Jaunes, appelez le **1-800-800-7310** ou écrivez à l'adresse MTD LLC, PO Box 361131, Cleveland, OH 44136-0019.

### La garantie limitée n'offre aucune couverture dans les cas suivants :

- A. Mises au point : bougies, réglages de carburateur, filtres
- B. Éléments pouvant s'user : boutons de butée, bobines extérieures, fil de coupe, moulinets intérieurs, poulie du démarreur, cordons de démarrage, courroies d'entraînement
- C. MTD n'accorde aucune garantie pour les produits vendus ou exportés des États-Unis d'Amérique, de leurs possessions et territoires, exception faite en ce qui concerne les produits vendus par l'intermédiaire de ses canaux agréés de distribution à l'exportation.

MTD se réserve le droit de modifier ou d'améliorer la conception de ses produits sans pour autant assumer l'obligation de modifier tout produit d'une fabrication plus ancienne.

**Aucune garantie implicite, y compris toute garantie de valeur marchande ou d'adaptation à une fin particulière, ne s'applique après la période applicable de garantie expresse écrite ci-dessus concernant les pièces qui sont identifiées. Aucune autre garantie ou caution expresse, écrite ou orale, à l'exception de celle mentionnée ci-dessus, accordée par toute personne ou entité, y compris tout distributeur ou détaillant, concernant tout produit n'engagera la responsabilité de MTD LLC. Pendant la période de garantie, le recours exclusif est la réparation ou le remplacement du produit dans les conditions énoncées ci-dessus.** (Certains états ne permettent pas la limitation de la garantie implicite, il est donc possible que la limitation ci-dessus ne s'applique pas à vous.)

**Les clauses énoncées dans la présente Garantie constituent le recours unique et exclusif inhérent aux ventes. MTD ne sera en aucun cas tenue pour responsable de tout dommage indirect ou consécutif ou de dommages comprenant, entre autres, les dépenses encourues du fait du recours à des services de remplacement ou de substitution pour l'entretien des pelouses, le transport ou des frais connexes, ou les frais entraînés par une location destinée à remplacer provisoirement un produit sous garantie.** (Certains états ne permettent pas la limitation de la garantie implicite, il est donc possible que la limitation ci-dessus ne s'applique pas à vous.)

Aucun recouvrement, quel qu'il soit, ne sera d'un montant supérieur au prix du produit vendu. Toute modification des dispositifs de sécurité du produit annulera la présente Garantie. Vous assumez tout risque et toute responsabilité résultant de la perte, de l'endommagement ou du préjudice que vous et votre propriété et/ou d'autres et leur propriété pourront encourir d'un fait de l'utilisation normale, de la mauvaise utilisation ou de l'incapacité d'utiliser le produit.

La présente garantie limitée n'est accordée qu'à l'acheteur initial, au preneur initial ou à la personne à laquelle le produit a été offert.

**Le Droit des États vis à vis de la présente garantie :** la présente garantie vous confère certains droits juridiques et vous pouvez bénéficier d'autres droits lesquels varient d'un état à l'autre.

Pour obtenir l'adresse du distributeur réparateur le plus proche, composez le : **1-800-800-7310**.

**MTD LLC**

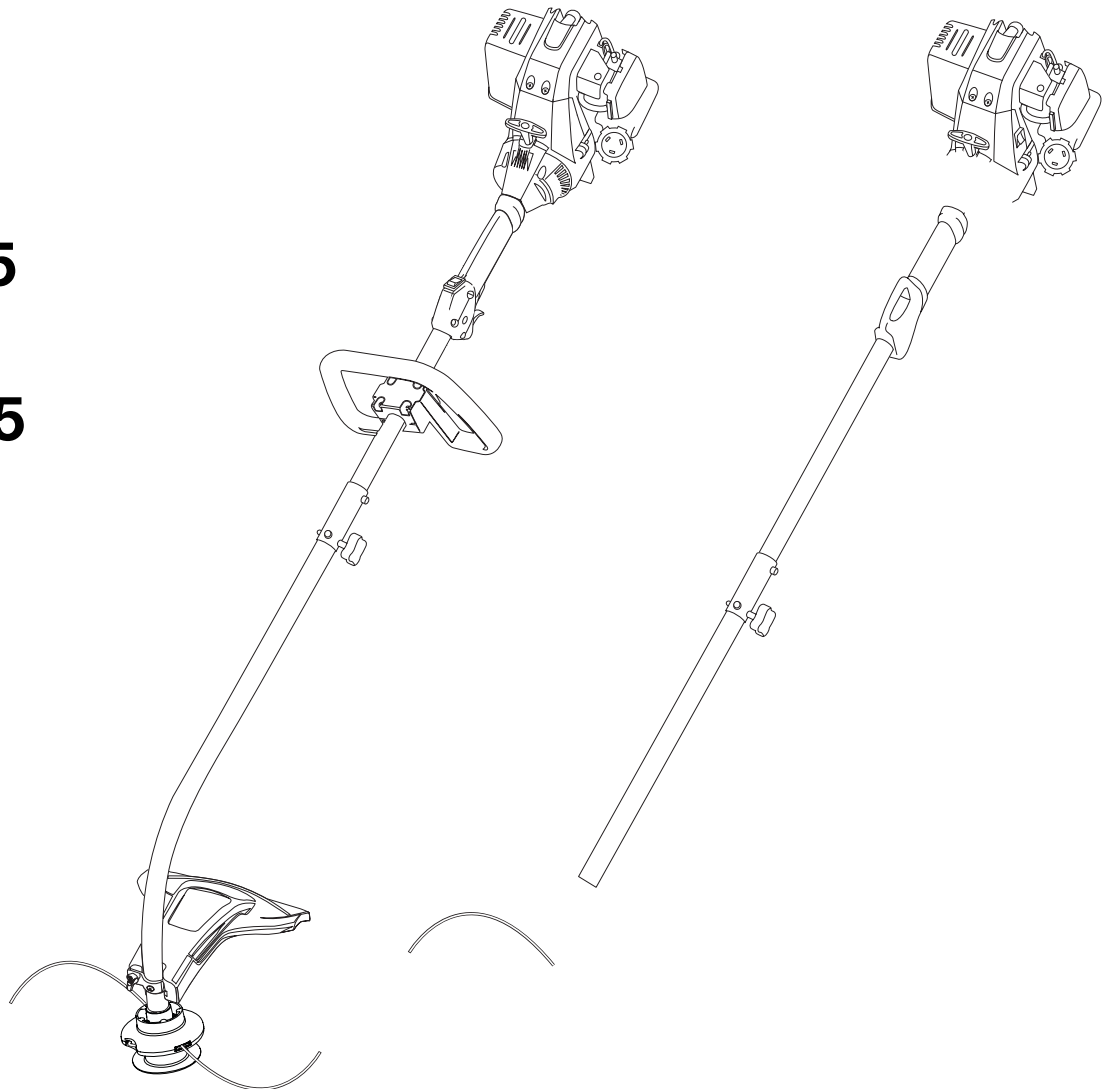
PO Box 361131

Cleveland, OH 44136-0019

# **MTD PRO**

## **Manual del Operador**

**MP425  
&  
MP475**



**Recortador de 4 Ciclos a Gasolina**

**IMPORTANTE: LEA LAS REGLAS DE SEGURIDAD E INSTRUCCIONES DETENIDAMENTE**

# INTRODUCCION

## MUCHAS GRACIAS

Gracias por haber adquirido este gran producto. Esta moderna herramienta motriz de exteriores está diseñada para brindarle muchas horas de servicio útil. Usted comprobará que es un artefacto que le ahorrará mucho trabajo. Este manual del operador le brinda instrucciones de operación de fácil comprensión. Lea todo el manual y siga todas las instrucciones para mantener su nueva herramienta motriz de exteriores en las mejores condiciones de funcionamiento.

## REFERENCIAS, ILUSTRACIONES Y ESPECIFICACIONES DEL PRODUCTO

Toda la información, las ilustraciones y las especificaciones contenidas en este manual se basan en la información más reciente disponible en el momento de impresión del manual. Nos reservamos el derecho de hacer cambios en cualquier momento sin aviso previo.

Copyright© 2007 MTD SOUTHWEST INC. Todos los derechos reservados.

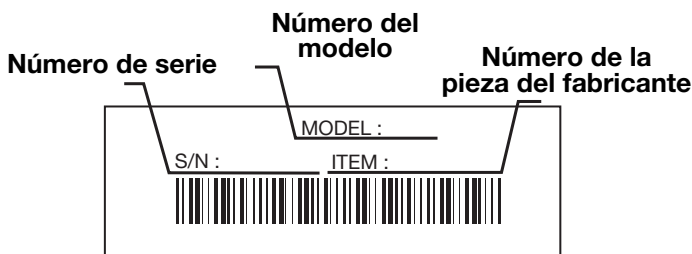
## INFORMACION DEL SERVICIO

El servicio de esta unidad, ya sea durante o después del período cubierto por la garantía, debe ser realizado solamente por un proveedor de servicios autorizado y aprobado.

Llame **1-800-800-7310** para obtener una lista de distribuidores de servicio localizados cerca de usted. Para obtener más detalles sobre su unidad, visite nuestro sitio en [www.mtdproducts.com](http://www.mtdproducts.com).

**NO REGRESE SU UNIDAD AL VENDEDOR. PARA SOLICITAR SERVICIO POR LA GARANTIA, DEBERA PRESENTAR PRUEBA DE SU COMPRA.**

Antes de que empiece a ensamblar su nuevo equipo, por favor ubique la placa que contiene el modelo de la unidad y escriba esa información en el espacio en blanco aquí debajo. Aquí debajo se explica la muestra de una placa del modelo.



Copie el número del modelo/  
pieza del fabricante aquí: \_\_\_\_\_

Copie el número  
de serie aquí: \_\_\_\_\_

*Antes de arrancar u operar este equipo, asegúrese de leer y comprender bien este manual.*

ESTE PRODUCTO ESTA CUBIERTO POR UNA O MAS PATENTES DE EE.UU., OTRAS PATENTES EN TRAMITE.


## INDICE DE CONTENIDOS

Llamadas a apoyo al cliente .....	E2
Normas para una operación segura .....	E3
Conozca su unidad .....	E6
Instrucciones de ensamble .....	E7
Información del aceite y del combustible .....	E8
Instrucciones de arranque y apagado .....	E10
Instrucciones de operación .....	E11
Instrucciones de mantenimiento y reparación .....	E13
Limpieza y almacenamiento .....	E18
Cuadro de solución de problemas .....	E19
Especificaciones .....	E20
Lista de Piezas .....	E22
Garantía .....	E26


## PARACHISPAS

**NOTA: Para los usuarios en tierras forestales de los EE.UU. y en los estados de California, Maine, Oregon y Washington.** Todos los terrenos forestales de los EE.UU. y el estado de California (Códigos de Recursos Públicos 4442 y 4443), Oregon y Washington, requieren por decreto, que ciertos motores de combustión interna que se hagan funcionar en zonas boscosas y/o zonas cubiertas por pastizales, estén equipados con un parachispas, que sean mantenidos en buen estado de funcionamiento o que el motor sea construido, esté equipado y sea mantenido para evitar incendios. Consulte los reglamentos pertinentes a esos requisitos con las autoridades estatales o locales. El incumplimiento de esos requisitos puede responsabilizarle o someterle a la imposición de una multa. **Esta unidad fue equipada en la fábrica con un parachispas.** Si requiere sustitución, hay una **Pantalla Parachispas disponible, Pieza # 791-180890** al contactar el departamento de servicio.

## PROPOSICIÓN 65 DE CALIFORNIA





# ADVERTENCIA



LAS EMISIONES DEL MOTOR DE ESTE PRODUCTO CONTIENEN SUBSTANCIAS QUIMICAS QUE EL ESTADO DE CALIFORNIA CONOCE COMO CAUSANTES DE CANCER, DEFECTOS DE NACIMIENTO U OTROS DAÑOS REPRODUCTIVOS.

# NORMAS PARA UNA OPERACION SEGURA

Los símbolos de seguridad se utilizan para llamar su atención sobre posibles peligros. Los símbolos de seguridad y sus explicaciones merecen toda su atención y comprensión. Los símbolos de seguridad no eliminan ningún peligro por sí mismos. Las instrucciones o advertencias que ofrecen no substituyen las medidas adecuadas de prevención de accidentes.

SIMBOLO	SIGNIFICADO
	<b>PELIGRO:</b> El no obedecer una advertencia de seguridad puede conducir a que usted u otras personas sufran graves lesiones. Siga siempre las precauciones de seguridad para reducir el riesgo de incendio, descarga eléctrica y lesiones personales.
	<b>ADVERTENCIA:</b> El no seguir una advertencia de seguridad puede conducir a que usted u otras personas sufran lesiones. Siga siempre las precauciones de seguridad para reducir el riesgo de incendio, descarga eléctrica y lesiones personales.
	<b>PRECAUCION:</b> El no seguir una advertencia de seguridad puede conducir a daño patrimonial o a que usted u otras personas sufran lesiones personales. Siga siempre las precauciones de seguridad para reducir el riesgo de incendio, descarga eléctrica y lesiones personales.

## SIMBOLO SIGNIFICADO



### ALERTA DE SEGURIDAD:

Indica peligro, advertencia o precaución. Debe prestar atención para evitar sufrir graves lesiones personales. Puede ser utilizado junto con otros símbolos o figuras.

**NOTA:** Le ofrece información o instrucciones que son esenciales para la operación o mantenimiento del equipo.

**Lea el manual del operador y siga todas las advertencias e instrucciones de seguridad. De no hacerlo, el operador y/o los espectadores pueden sufrir graves lesiones.**

**SI TIENE PREGUNTAS, LLAME AL 1-800-800-7310**

## • IMPORTANTE INFORMACION DE SEGURIDAD •

### LEA TODAS LAS INSTRUCCIONES ANTES DE LA OPERACION



**ADVERTENCIA:** Al utilizar la unidad, debe observar las reglas de seguridad. Lea estas instrucciones antes de operar la unidad a fin de garantizar la seguridad del operador y cualquier transeúnte. Guarde estas instrucciones para uso posterior.

- Lea todas las instrucciones con cuidado. Conozca bien los controles y el uso correcto de la unidad.
- No opere esta unidad si está cansado, enfermo, o bajo los efectos del alcohol, drogas o medicamentos.
- Los niños y los adolescentes menores de 15 años no deben operar las unidades, excepto por los adolescentes guiados por un adulto.
- Inspeccione la unidad antes de utilizarla. Cambie las partes dañadas. Verifique si existen pérdidas de combustible. Asegúrese de que los sujetadores estén bien colocados y asegurados. Cambie las partes accesorias de corte que estén quebradas, cascadas o dañadas de cualquier forma. Asegúrese de que el accesorio de corte está bien instalado y ajustado con firmeza. Asegúrese de que la protección accesoria de corte esté bien conectada y colocada según se recomienda.
- Use siempre la línea de repuestos de 2,67 mm (0,105 pulg.) del fabricante del equipo original. No use nunca línea reforzada con metal, alambre, cadena ni sogas, etc. Estas pueden desprenderse y convertirse en un proyectil peligroso.
- Tenga en cuenta el riesgo de lesiones en la cabeza, manos y pies.
- Oprima el control del regulador y verifique que regrese

automáticamente a la posición de mínima. Haga todos los ajustes o reparaciones antes de usar la unidad.

- Limpie el área de corte antes de cada uso. Retire todos los objetos como rocas, vidrios rotos, clavos, alambre o cuerda los cuales pueden ser despedidos o enredarse en el accesorio de corte. Aleje a todos los niños, espectadores y animales domésticos. Mantenga todos los niños, espectadores y animales domésticos a un radio de por lo menos 15 m (50 pies); aún así puede existir un riesgo de objetos despedidos contra los espectadores. Los espectadores deben usar protección para sus ojos. Si alguien se le acerca, pare el motor y el accesorio de corte de inmediato.

### ADVERTENCIAS DE SEGURIDAD PARA LOS RECORTADORES A GASOLINA

- Guarde el combustible en envases que hayan sido diseñados y aprobados para el almacenamiento de dichos materiales.



**ADVERTENCIA:** La gasolina es muy inflamable y sus gases pueden explotar si se encienden. Tome las siguientes precauciones:

- Aleje la unidad a por lo menos 9,1 m (30 pies), del lugar de carga de combustible antes de arrancar el motor. No fume, mantenga las chispas y las llamas abiertas lejos del área mientras carga el combustible u opera la unidad.
- Cargue el combustible en un área exterior bien ventilada donde no haya chispas ni llamas. Quite lentamente la tapa del combustible sólo después de apagar el motor. No fume mientras carga el combustible. Limpie de inmediato todo el combustible que se haya derramado.

# NORMAS PARA UNA OPERACIÓN SEGURA

- Antes de llenar el tanque de combustible, apague siempre el motor y espere que se enfríe. No retire nunca la tapa del tanque de combustible ni cargue combustible mientras el motor esté caliente. No opere nunca la unidad sin la tapa del combustible colocada firmemente en su lugar. Afloje la tapa del combustible lentamente para disipar la presión del tanque.
- Evite crear una fuente de encendido por combustible derramado. No arranque el motor hasta que se hayan disipado los vapores del combustible.

## DURANTE LA OPERACION

- No arranque ni opere la unidad en una sala o edificio cerrado. Los gases de escape de monóxido de carbono pueden ser letales en un área cerrada. Opere esta unidad sólo en un área exterior bien ventilada.
- Use lentes o gafas de protección que cumplan con las normas ANSI Z87.1, y protección para sus oídos/audición mientras opere esta unidad. Use siempre una máscara facial o para protegerse contra el polvo si la operación levanta polvo.
- Use pantalones largos y gruesos, botas, guantes y camisa de manga larga. No use ropa holgada, alhajas, pantalones cortos, sandalias ni esté descalzo. Sostenga el cabello sobre el nivel de los hombros.
- La protección accesorio de corte debe estar siempre colocada en su lugar mientras opere la unidad. No opere la unidad con las dos líneas de corte extendidas, y la línea correcta instalada. No extienda la línea de corte más allá de la longitud de la protección.
- Esta unidad cuenta con un embrague. El accesorio de corte permanece estacionario cuando el motor está en marcha lenta. Si no lo hace, haga ajustar la unidad por un técnico de servicio autorizado.
- Ajuste la manija a su tamaño de modo que le brinde el mejor agarre.
- Asegúrese de que el accesorio de corte no está en contacto con ningún objeto antes de arrancar la unidad.
- Use la unidad únicamente con la luz del día o con buena luz artificial.
- Evite arrancar la unidad accidentalmente. Colóquese en posición de inicio siempre que tire de la cuerda de arranque. El operador y la unidad deben estar en una posición estable al comenzar. Lea las instrucciones de Arranque y Apagado.
- Use la herramienta adecuada. No use esta unidad para ninguna tarea para la cual no ha sido diseñada.
- No se estire demasiado. Mantenga siempre una posición y equilibrio adecuados.
- Sostenga siempre la unidad con ambas manos mientras esté en funcionamiento. Sostenga con firmeza tanto el mango como la manija auxiliar.
- Mantenga las manos, la cara y los pies lejos de todas las partes móviles. No intente tocar ni detener el accesorio de corte mientras gira.
- No toque el motor, el bastidor del engranaje ni el silenciador. Estas partes se calientan mucho con la operación. Luego de apagar la unidad, permanecen calientes durante un tiempo breve.
- No opere el motor a una velocidad mayor que la necesaria para cortar, recortar o recortar los bordes. No haga funcionar el motor a alta velocidad mientras no está cortando.
- Apague siempre el motor cuando demore el corte o mientras camina entre zonas de corte.
- Si golpea o se enreda con algún objeto extraño, apague el motor de inmediato y verifique si hay daños. Repare todos los daños antes de volver a intentar operar la unidad. No opere la unidad si tiene piezas flojas o dañadas.
- Apague el motor para realizar todo el mantenimiento, reparaciones o cambio del accesorio de corte u otros accesorios.
- Use sólo piezas y accesorios de repuesto del fabricante del equipo original para esta unidad. Puede obtenerlos en su proveedor de servicio autorizado. El uso de piezas y accesorios que no son equipo original; puede causar graves lesiones al operador o el daño de su unidad, y la cancelación de su garantía.
- Mantenga la unidad libre de vegetación y otros materiales. Pueden alojarse entre el accesorio de corte y la protección.
- Para reducir el riesgo de incendio, cambie los silenciadores y amortiguadores de chispas defectuosos, mantenga el motor y el silenciador libre de pasto, hojas, grasa excesiva o acumulaciones de carbono.

## OTRAS ADVERTENCIAS DE SEGURIDAD

- No guarde nunca la unidad con combustible en el tanque en un edificio donde los gases puedan llegar a una llama abierta o a una chispa.
- Espere que el motor se enfríe antes de guardar o transportar la unidad. Asegúrese de que la unidad esté segura al transportarla.
- Guarde la unidad bajo llave en un lugar adecuado y seco para evitar que sea usada por personas no autorizadas y se dañe, fuera del alcance de los niños.
- Nunca moje ni rocíe la unidad con agua ni con ningún otro líquido. Mantenga las manijas secas, limpias y sin residuos. Limpie la unidad luego de cada uso, lea las instrucciones de Limpieza y Almacenamiento.
- Guarde estas instrucciones. Consúltelas con frecuencia y utilícelas para enseñar a otros usuarios. Si le presta esta unidad a alguien, préstele también estas instrucciones.

**CONSERVE ESTAS INSTRUCCIONES**



# NORMAS PARA UNA OPERACIÓN SEGURA

## SIMBOLOS DE SEGURIDAD E INTERNACIONALES

Este manual del operador describe los símbolos y figuras de seguridad e internacionales que pueden aparecer en este producto. Lea el manual del operador para obtener información completa acerca de la seguridad, ensamble, operación y mantenimiento y reparación.

### SIMBOLO

### SIGNIFICADO



#### • SIMBOLO DE ALERTA DE SEGURIDAD

Indica peligro, advertencia o precaución. Puede ser utilizado junto con otros símbolos o figuras.



#### • ADVERTENCIA - LEA EL MANUAL DEL OPERADOR

Lea el manual del operador y siga todas las advertencias e instrucciones de seguridad. De no hacerlo, el operador y/o los espectadores pueden sufrir graves lesiones.



#### • USE PROTECCION OCULAR Y AUDITIVA

**ADVERTENCIA :** Los objetos arrojados por la unidad y el ruido fuerte pueden causar graves lesiones oculares y pérdida auditiva. Utilice protección ocular que cumpla con las normas ANSI Z87.1 y protección auditiva cuando opere esta unidad. Use una careta completa cuando la necesite.



#### • MANTENGA ALEJADOS A LOS ESPECTADORES

**ADVERTENCIA :** Mantenga a todos los espectadores, en especial a niños y animales domésticos a por lo menos 50 pies (15 m) del área de corte.



#### • COMBUSTIBLE SIN PLOMO

Use siempre combustible limpio, nuevo y

### SIMBOLO

### SIGNIFICADO

#### • CONTROL DE ENCENDIDO Y APAGADO

ENCENDIDO /ARRANQUE /MARCHA

#### • CONTROL DE ENCENDIDO Y APAGADO

APAGADO o PARADO

#### • ADVERTENCIA DE CALIENTE

No toque un silenciador ni un cilindro caliente. Puede quemarse. Estas partes se calientan mucho con el uso. Luego de apagarse permanecen calientes durante un corto tiempo.

#### • LOS OBJETOS DESPEDIDOS Y LA CUCHILLA ROTATIVA PUEDEN CAUSAR GRAVES LESIONES

**ADVERTENCIA:** No opere esta unidad si la protección plástica de línea no está colocada en su lugar. Manténgase alejado del accesorio de corte giratorio.

# CONOZCA SU UNIDAD

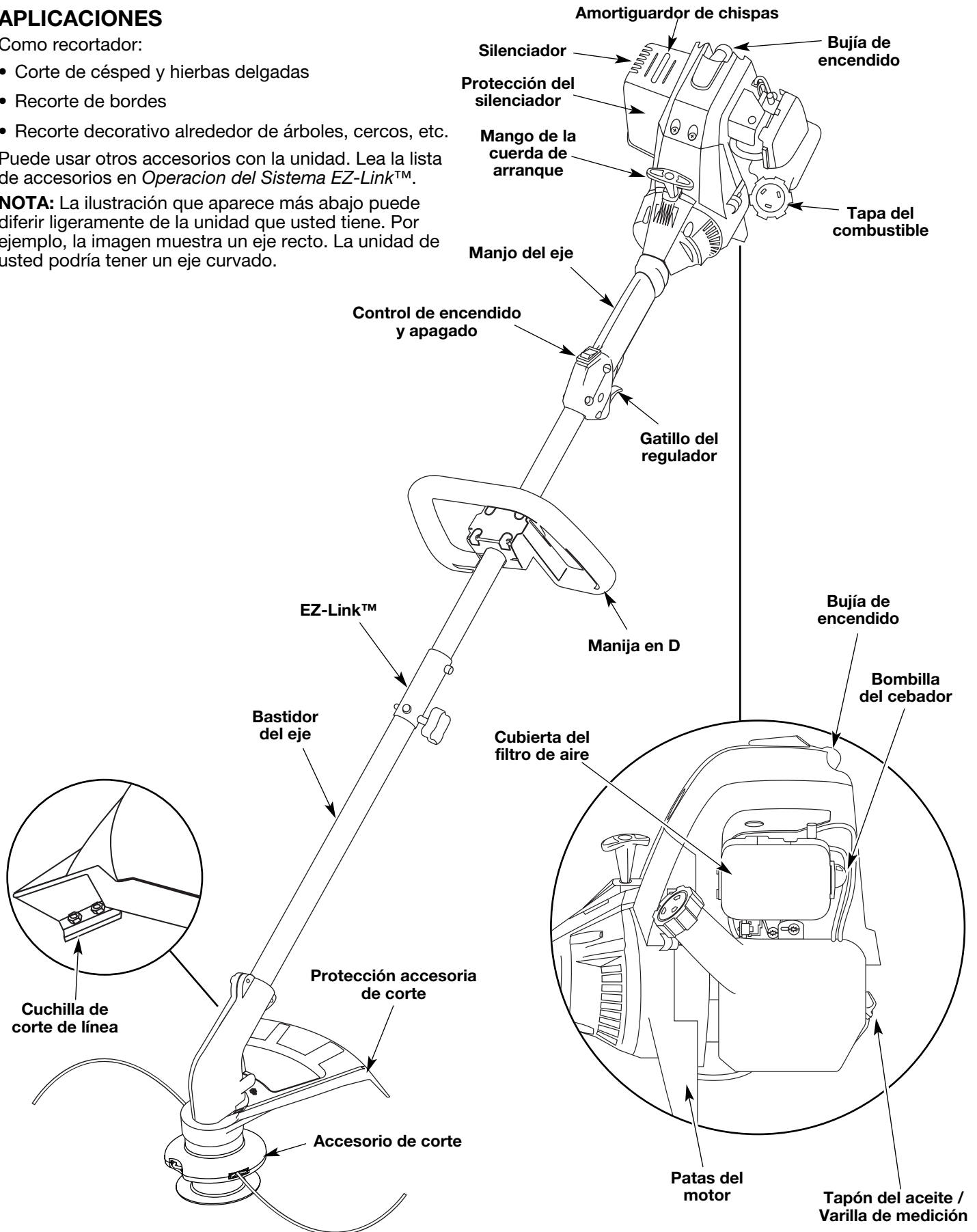
## APLICACIONES

Como recortador:

- Corte de césped y hierbas delgadas
- Recorte de bordes
- Recorte decorativo alrededor de árboles, cercos, etc.

Puede usar otros accesorios con la unidad. Lea la lista de accesorios en *Operación del Sistema EZ-Link™*.

**NOTA:** La ilustración que aparece más abajo puede diferir ligeramente de la unidad que usted tiene. Por ejemplo, la imagen muestra un eje recto. La unidad de usted podría tener un eje curvado.



# INSTRUCCIONES DE ENSAMBLAJE

## AJUSTE DE LA MANIJA EN D

El MP425CS y MP475SS usa un mango en forma de D, el cual se ha instalado de antemano en la unidad. Si necesita ajustarlo alguna vez, cerciórese de que esté por lo menos a 15cm (6 pulg) del extremo del mango del eje (Fig.1).

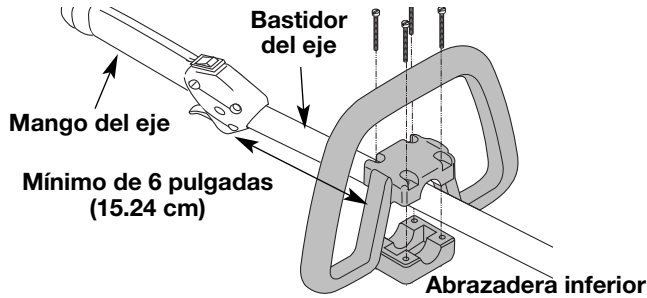


Fig. 1

## INSTALACIÓN DEL ACCESORIO PROTECTOR DE CORTE



**ADVERTENCIA:** No opere nunca la recortadora sin el protector accesorio de corte colocado en su lugar para evitar graves lesiones personales.

Siga estas instrucciones si el accesorio protector de corte no está instalado en su unidad.

### MP475

1. Deslice el protector accesorio de corte en el montaje del protector sobre el accesorio de corte. Alinee los orificios de los tornillos del protector con los orificios del accesorio de corte (Fig. 2).

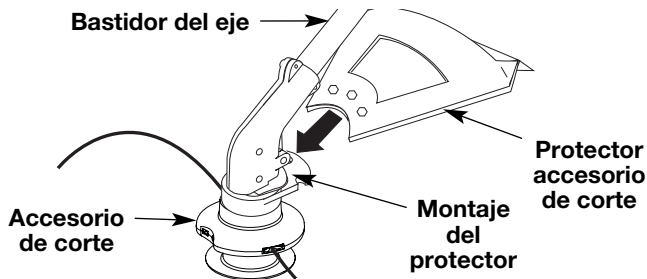


Fig. 2

2. Coloque uno de los tres (3) provistos contratuerca hexagonal en uno de los tres orificios cóncavos de la parte superior del protector accesorio de corte (Fig. 3).
3. Instale un tornillo en el orificio de la base del protector accesorio de corte. Atorníllelo en la tuerca instalada en el paso 2 (Fig. 3). No lo ajuste.
4. Repita los pasos 2 y 3 hasta haber comenzado los tres tornillos con un destornillador Phillips, luego ajústelos bien.

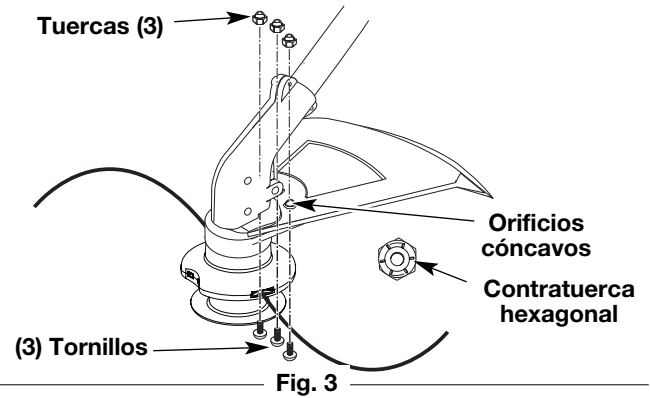


Fig. 3

### MP425

1. Coloque el protector del accesorio de corte en el bastidor del eje. Cerciórese de que el soporte de montaje de la guardera se deslice en la ranura situada en el borde del protector de corte. Gire el protector en sentido antihorario hasta que quede en su lugar (Fig. 4). Los orificios en el soporte de montaje de la guardera y el protector del accesorio de corte se alinearán.

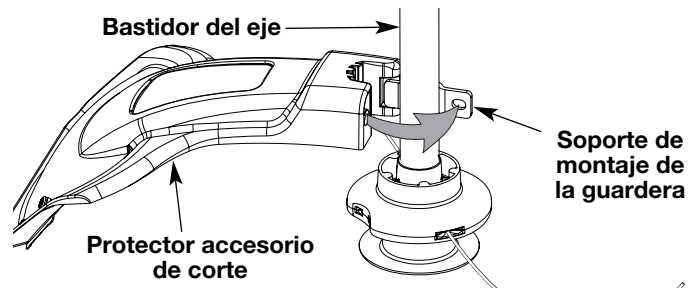


Fig. 4

2. Desde el interior del protector del accesorio de corte, empuje el perno cuadrado a través del orificio hasta que el extremo con roscas sobresalga a través del soporte de montaje de la guardera (Fig. 5).
3. Ponga la arandela en el perno, y después atornille la tuerca de mariposa y apriétela. La Figura 5 muestra el proceso de instalación desde un ángulo por debajo de la unidad.

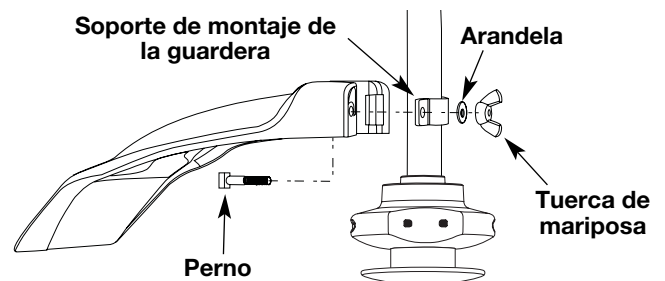


Fig. 5

# INFORMACION DEL ACEITE Y DEL COMBUSTIBLE



**ADVERTENCIA:** EL LLENAR DEMASIADO EL CARTER PUEDE CAUSAR LESIONES PERSONALES GRAVES. No podemos exagerar la importancia del control y mantenimiento del nivel correcto de aceite en el cigüeñal. Verifique el aceite antes de cada uso y cámbielo cuando sea necesario según se indica en la sección de *Cambio del aceite*.

## TIPO DE ACEITE RECOMENDADO



El uso de un aceite del tipo y peso correctos en el cigüeñal es extremadamente importante. Verifique el aceite antes de cada uso y cambie el aceite con frecuencia. Si no usa el aceite correcto, o utiliza aceite sucio, puede causar el desgaste y falla prematuros del motor.

Use un aceite de buena calidad SAE 30 de API (American Petroleum Institute) clase de servicio SG, SF, SH.

## CARGA DE ACEITE EN EL CARTER DEL CIGÜEÑAL: USO INICIAL

**NOTA:** Esta unidad se envía sin carga de aceite. A fin de evitar el daño de la unidad, cargue aceite en el cárter del cigüeñal antes de intentar arrancar la unidad.

Su unidad trae una botella de aceite SAE 30 SF, SG, SH de 90 ml (3,04 onzas fluidas) (Fig. 6).

**NOTA:** Guarde la botella para medir la cantidad correcta de aceite cuando deba cambiarlo en el futuro. Lea *Cambio de Aceite*.

1. Desenrosque la tapa de la botella de aceite y retire el sello de papel que cubre la apertura. Vuelva a colocar la tapa. Corte la punta de la boquilla del embudo (Fig. 6).

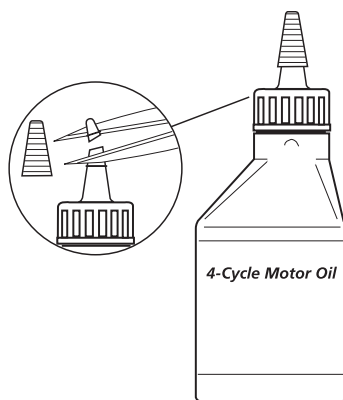


Fig. 6

2. Coloque la unidad sobre una superficie plana (Fig. 7).

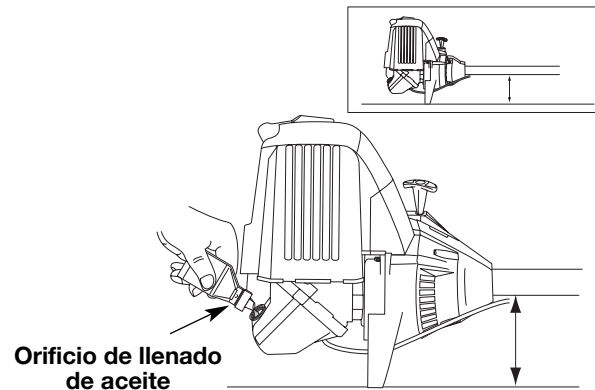


Fig. 7

3. Saque el tapón de aceite/ varilla de medición del cigüeñal (Fig. 8).

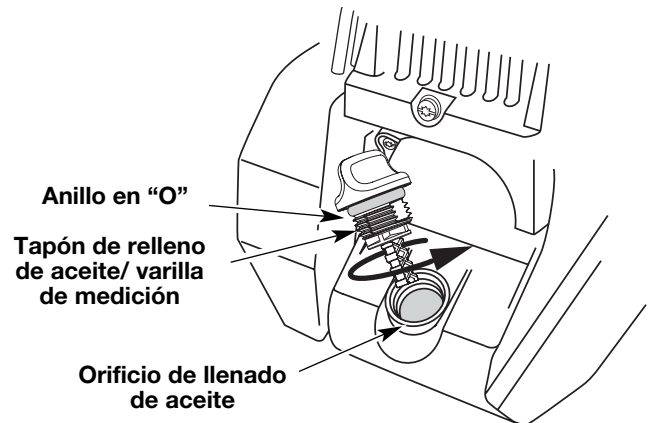


Fig. 8

4. Vierta todo el contenido de la botella de aceite en el cigüeñal (Fig. 7).

**NOTA:** No agregue nunca aceite al combustible o al tanque de combustible.

5. Limpie todo el aceite que pueda haberse derramado y vuelva a instalar el tapón del aceite / varilla de medición.

Verifique el aceite antes de cada uso y cámbielo cuando sea necesario según se indica en la sección de *Cambio del aceite*.

# INFORMACION DEL ACEITE Y DEL COMBUSTIBLE

## TIPO DE COMBUSTIBLE RECOMENDADO

El combustible viejo es la causa principal del mal funcionamiento de la unidad. Asegúrese de usar combustible nuevo, limpio y sin plomo.

**NOTA:** Este es un motor de cuatro ciclos. Para evitar dañar su unidad, **no mezcle el aceite con la gasolina.**

## Definición de los combustibles de mezcla

Los combustibles actuales con frecuencia son una mezcla de gasolina y uno o más oxigenantes como el etano, el metanol o el MTBE (éter). El combustible con mezcla de alcohol absorbe agua. Un porcentaje de agua tan pequeño como el 1% en el combustible puede hacer que el combustible y el aceite se separen. Se forman ácidos mientras está guardado. Cuando use combustible con mezcla de alcohol, use combustible nuevo (almacenado durante menos de 60 días).

## Uso de los combustibles de mezcla

Si decide usar un combustible de mezcla o si su uso es inevitable, le recomendamos que tome las siguientes precauciones:

- Use siempre una mezcla fresca de combustible según lo indica su manual del operador
- Use el aditivo especial de combustible STA-BIL® o uno similar
- Drene el tanque y haga funcionar el motor en seco antes de guardar la unidad

## Uso de aditivos en el combustible

El uso de aditivos en el combustible, como el estabilizador de gasolina STA-BIL® o similar, inhibirá la corrosión y reducirá la formación de depósitos de goma. El uso de aditivos puede evitar que se formen depósitos dañinos en el carburador por hasta ocho (8) meses. Agregue 23 ml (0,8 de onza) de aditivo por galón de combustible de acuerdo a las instrucciones del envase. No agregue NUNCA los aditivos directamente al tanque de combustible de la unidad.

## CARGA DE COMBUSTIBLE EN LA UNIDAD



**ADVERTENCIA:** La gasolina es muy inflamable. Los gases pueden explotar si se encienden. Apague siempre el motor y espere que se enfríe antes de cargar el tanque de combustible. No fume mientras llena el tanque. Mantenga las chispas y las llamas lejos del área.

1. Saque la tapa de la gasolina (Fig. 9).



**ADVERTENCIA:** Saque la tapa del combustible lentamente para evitar lesionarse con el rociado del combustible. No opere nunca la unidad sin la tapa del combustible firmemente colocada en su lugar.

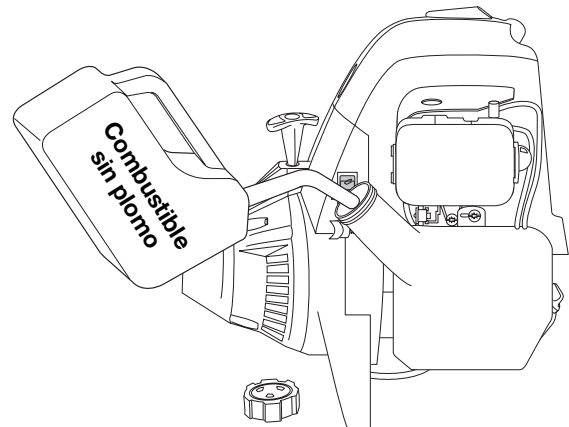


Fig. 9

2. Coloque el pico del recipiente de gasolina en el orificio de llenado del tanque de gasolina (Fig. 9) y llene el tanque.



**ADVERTENCIA:** Cargue el combustible en un área exterior limpia y bien ventilada. Limpie de inmediato todo combustible que se haya derramado. Evite crear una fuente de encendido con el combustible derramado. No arranque el motor hasta que se hayan evaporado los gases del combustible.

**NOTA:** No llene el tanque demasiado.

3. Limpie toda la gasolina que pueda haberse derramado
4. Vuelva a instalar la tapa de la gasolina.
5. Mueva la unidad por lo menos 9,1 m (30 pies) de la fuente y sitio de carga antes de arrancar el motor.

**NOTA:** Elimine la gasolina vieja de acuerdo a los reglamentos federales, estatales y locales.

# INSTRUCCIONES DE ARRANQUE Y APAGADO



**ADVERTENCIA:** Use esta unidad sólo en un área exterior bien ventilada. Los gases de escape de monóxido de carbono pueden ser letales en un área cerrada.



**ADVERTENCIA:** Evite los arranques accidentales. Colóquese en posición de inicio cuando tire de la cuerda de arranque (Fig. 22). El operador y la unidad deben estar en una posición estable al arrancar la unidad para evitar graves lesiones personales. Compruebe que cualquier complemento usado se instale correctamente y que esté seguro, antes de poner en marcha la unidad.

## INSTRUCCIONES DE ARRANQUE

1. Verifique el nivel de aceite en el cárter del cigüeñal. Lea *Inspección del Nivel de Aceite*.
2. Llene el tanque de combustible con gasolina nueva, limpia y sin plomo.

**NOTA:** No hay necesidad de encender la unidad. El Control de Parada Encendido/Apagado (On/Off) está en la posición Encendido (ON) (I), en todo momento (Fig. 10).

→ **SI FRÍO...** Para condiciones de clima frío (inferior a 4°C/ 40°F), ponga la Palanca de Arranque en Frío (Fig. 11) en la posición de cerrada/encienda y proceda al paso 3. NO mueva esta palanca hacia abajo si la temperatura sobrepasa 4°C (40°F).

3. Oprima completamente el cebador y suéltelo 10 veces. Hágalo lentamente. Se deberá ver un poco de **combustible en el cebador** y en las tuberías de alimentación de combustible (Fig. 12). Si no puede ver el combustible en el cebador, oprímalo y suéltelo tantas veces como sea necesario hasta que vea combustible en el mismo.

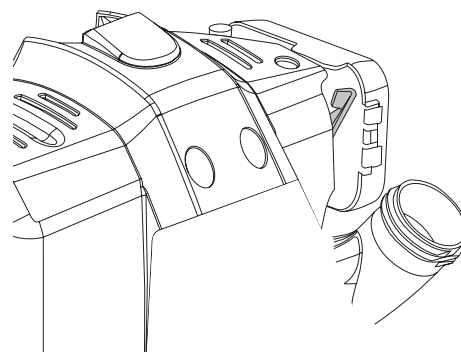
→ 4. Soporte en la posición de arranque y **no apriete el control de regulador** (Fig. 13). Tire bruscamente del cordón de arranque hasta 5 a 10 veces.

**SI FRÍO...** Para condiciones de clima frío (inferior a 4°C/ 40°F), regrese la Palanca de Arranque en Frío a la posición abierta/arriba.

5. Oprima el control del regulador para calentar el motor de 5 a 10 segundos. Cuando hace frío, deje que el motor se caliente de 15 a 30 segundos.

--- **SI...** El motor no arranca, regrese al paso 3.

--- **SI...** El motor se detiene mientras usted está apretando el acelerador, regrese al paso 4.



Cuerda de arranque

## INSTRUCCIONES DE APAGADO

1. Saque la mano del control del regulador. Deje enfriar el motor en mínima.
2. Coloque el control de Encendido/Apagado (On/Off) en posición de **APAGADO** (O).

Control del regulador

# INSTRUCCIONES DE OPERACIÓN

## OPERACION DEL SISTEMA EZ-Link™

El sistema EZ-Link™ le permite el uso de estos accesorios optativos.

Cultivador	GC720r
Edger	LE720r
Recortador de setos	TPAH*
Recortador de eje recto	SS725r
Turbosoplador	TB720r
Sierra de poste	TPPS*
Cortamalezas	TPBC*



**\*NO use este accesorio con un producto eléctrico.**

3. Gire la perilla en sentido horario para ajustarla (Fig. 16).

### Remoción del accesorio de corte u otros accesorios

1. Gire la perilla en sentido antihorario para aflojarla (Fig. 14).
2. Opima y sostenga el botón de desconexión (Fig. 14).
3. Mientras sostiene el bastidor del eje superior con firmeza, tire del accesorio de corte o accesorio en línea recta fuera del acoplador EZ-Link™ (Fig. 15).

### Instalación del accesorio de corte u otros accesorios

**NOTA:** Para facilitar la instalación o remoción de los accesorios, coloque la unidad sobre el suelo o sobre un banco de trabajo.

1. Gire la perilla en sentido antihorario para aflojarla (Fig. 14).



# INSTRUCCIONES DE OPERACIÓN

## COMO SOSTENER EL RECORTADOR

Antes de operar esta unidad, párese en posición de operación (Fig. 17). Verifique lo siguiente:

- El operador tiene protección ocular y ropa adecuada.
- El brazo derecho está levemente oblado, y la mano está sosteniendo el mango del eje.
- El brazo izquierdo está recto, y la mano está sosteniendo la manija.
- La unidad está debajo del nivel de la cintura.
- El accesorio de corte está paralelo al suelo y hace fácil contacto con la vegetación que va a ser cortada sin que el operador tenga que inclinarse.



Fig. 17

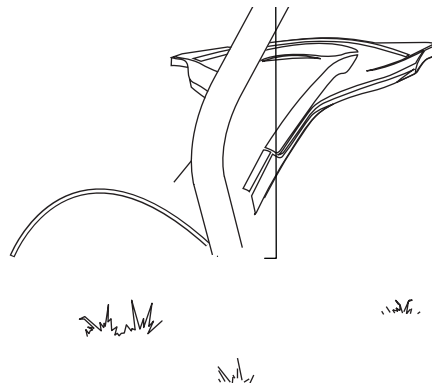


Fig. 18

## CONSEJOS PARA OBTENER MEJORES RESULTADOS AL RECORTAR

- Para mejores resultados que recortan, operar la unidad en válvula de admisión repleta.
- El ángulo correcto para ubicar el accesorio de corte es paralelo al suelo.
- No fuerce el accesorio de corte. Permita que la punta de la línea realice el corte (en especial a lo largo de paredes). Si corta con más de la punta reducirá la eficacia del corte y puede sobrecargar el motor.
- Corte césped de más de 200 mm (8 pulgadas) trabajando de arriba hacia abajo en pequeños incrementos para evitar el desgaste prematuro de la línea y el arrastre del motor.
- El Corte del derecho de dejar.
- Mueva lentamente el recortador dentro y fuera del área de corte a la altura deseada. Realice movimientos ya sea de adelante hacia atrás y viceversa, o de lado a lado. El corte en longitudes más cortas produce mejores resultados.
- Recorte únicamente cuando el pasto y las hierbas estén secas.
- La vida de su línea de corte depende de:
  - Seguir todas las técnicas de corte indicadas anteriormente
  - El tipo de vegetación que corte
  - El lugar donde se corta

Por ejemplo, la línea se desgastará más rápido cuando corte contra un muro que cuando corte alrededor de un árbol.



# INSTRUCCIONES DE MANTENIMIENTO Y REPARACIÓN

**NOTA:** Algunos procedimientos de mantenimiento pueden requerir el uso de herramientas o habilidades especiales. Si no está seguro acerca de estos procedimientos, lleve su unidad a un establecimiento de reparación, persona o distribuidor de servicio autorizado que arregle motores para uso fuera de la carretera.

**NOTA:** El mantenimiento, la sustitución o arreglo de dispositivos para el control de emisiones y sistemas pueden ser hechos por cualquier establecimiento de reparación, persona o proveedor de servicio autorizado que arregle motores para uso fuera de la carretera.

## PROGRAMA DE MANTENIMIENTO

Estos procedimientos requeridos para el mantenimiento deben ser realizados con la frecuencia indicada en la tabla. Deben ser incluidos como parte de toda puesta a punto de cada temporada.

**ADVERTENCIA:** Para evitar lesiones personales graves, nunca realice mantenimiento ni reparaciones con la unidad funcionando. Realice siempre el mantenimiento y las reparaciones con la unidad fría. Desconecte el cable de la bujía de encendido para cerciorarse de que la unidad no arrancará.

FRECUENCIA	MANTENIMIENTO REQUERIDO	CONSULTE
Antes de arrancar el motor	Llene el tanque de combustible con combustible nuevo Inspeccione el aceite	Page E9 Page E14
Cada 10 horas	Limpie y vuelva a aceitar el filtro de aire	Page E15
Primer cambio a las 10 horas Cada 25 horas en lo sucesivo Cada 25 horas	Cambie el aceite Cambie el aceite Limpie el amortiguador de chispas	Page E14 Page E14 Page E18
10 horas en un motor nuevo Cada 25 horas Cada 25 horas	Verifique la separación entre el brazo oscilante y la válvula y ajuste Verifique la separación entre el brazo oscilante y la válvula y ajuste Verifique la condición y separación de la bujía de encendido	Page E17 Page E17 Page E18

**ADVERTENCIA:** No use nunca línea reforzada con metal, alambre, cadena ni sogas, etc. Estos elementos pueden desprenderse y convertirse en un proyectil peligroso.

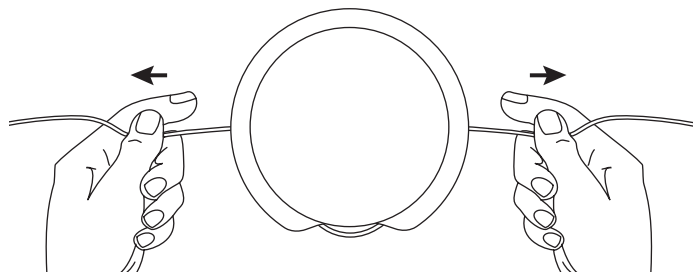


Fig. 21

5. Coloque la línea de corte por detrás del gancho para evitar que se suelte cuando está funcionando (Figura 22).

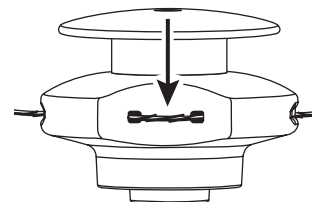


Fig. 22

**ADVERTENCIA:** No saque ni altere el ensamble de la cuchilla limitadora de línea.

## INSTALACIÓN DE LA LÍNEA FIJA

Use siempre línea de reemplazo de 2,667 mm (0,105 pulgadas) del fabricante del equipo original. Otras líneas que no sean las especificadas pueden hacer que el motor se recaliente o falle.

Para instalar la línea de corte:

1. Inserte cada extremo de la línea de reemplazo en los orificios a cada lado del gancho de retención (Figura 19).
2. Empuje los extremos hasta que salgan por los lados del cabezal (Figura 20).
3. Tire de los extremos asegurándose de que tengan el mismo largo y que la mitad de la línea quede en el centro entre los orificios de inserción (Figura 21).
4. Si los extremos no tienen el mismo largo, vuelva a introducir un poco el extremo más largo en el cabezal y tire del extremo más corto para compensar. Repita hasta que ambos extremos tengan el mismo largo.

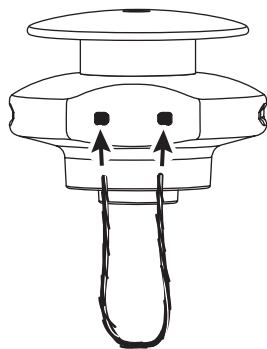


Fig. 19

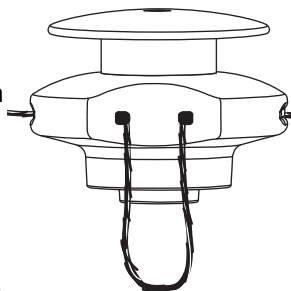


Fig. 20

# INSTRUCCIONES DE MANTENIMIENTO Y REPARACIÓN

## INSPECCION DEL NIVEL DE ACEITE



**PRECAUCION:** Para evitar un desgaste excesivo del motor y el daño de la unidad, mantenga siempre el nivel de aceite correcto en el cárter del cigüeñal. No opere nunca la unidad con el aceite debajo del extremo inferior de la varilla de medición.

No podemos exagerar la importancia de verificar y mantener el nivel correcto de aceite en el cárter del cigüeñal. Inspeccione el nivel de aceite antes de cada uso:

1. Apague el motor y permita que el aceite drene dentro del cárter del cigüeñal.
2. Coloque la unidad sobre una superficie plana y nivelada para obtener una lectura correcta del nivel de aceite.
3. Mantenga la suciedad, recortes de césped, etc. fuera del motor. Limpie el área alrededor del tapón de relleno de aceite / varilla de medición antes de retirarlo.
4. Retire el tapón de relleno de aceite / varilla de medición y seque el aceite. Vuelva a insertarlo completamente hacia adentro.
5. Retire el tapón de relleno de aceite / varilla de medición e inspeccione el nivel del aceite. El aceite debe llegar hasta la parte superior de la varilla de medición (Fig. 23).

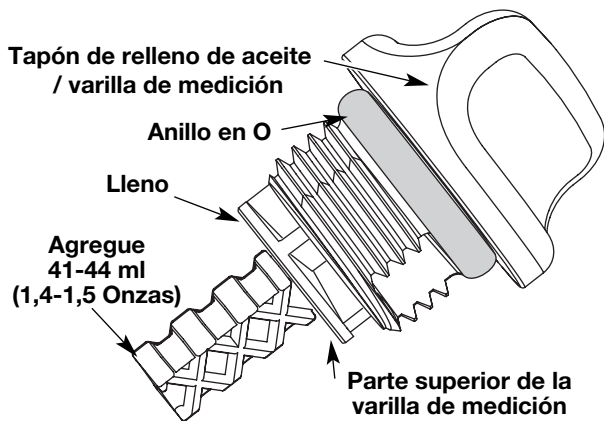


Fig. 23

6. Si el nivel está bajo, agregue una pequeña cantidad de aceite en el orificio de llenado de aceite y vuelva a medir (Fig. 24). Repita hasta que el nivel de aceite llegue hasta la parte superior de la varilla de medición.

**NOTA:** No llene demasiado la unidad.

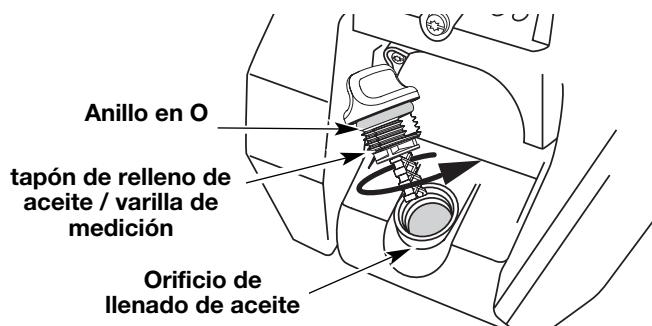


Fig. 24

**NOTA:** Verifique que el anillo en O esté en su lugar en el tapón de relleno de aceite / varilla de medición cuando mida y cambie el aceite (Fig. 24).

## CAMBIO DEL ACEITE

En un motor nuevo, cambie el aceite después de las 10 primeras horas de operación. Cambie el aceite mientras el motor aún está caliente. El aceite fluirá con libertad y llevará más impurezas.



**PRECAUCION:** Use guantes para evitar sufrir lesiones cuando maneje la unidad.

1. Desenchufe el manguito de la bujía de encendido para eliminar el arranque.
2. Retire el tapón de relleno de aceite / varilla de medición.
3. Vierta el aceite fuera del orificio de llenado de aceite en un recipiente inclinando la unidad hasta una posición vertical (Fig. 25). Deje suficiente tiempo como para completar el drenaje.

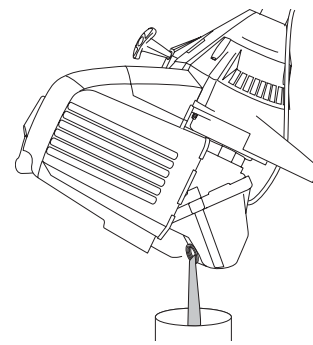


Fig. 25

4. Seque todo el aceite residual de la unidad y limpie todo el aceite que pueda haberse derramado. Elimine todo el aceite de acuerdo con las normas federales, estatales y locales.
5. Vuelva a cargar el cárter del cigüeñal con 90 ml (3,04 onzas fluidas) de aceite SAE 30 SF, SG, SH.

**NOTA:** Use la botella y la boquilla que guardó del uso inicial para medir la cantidad correcta. El nivel de 90 ml (3,04 onzas) está aproximadamente en la parte superior de la etiqueta de la botella (Fig. 26). Mida el nivel con la varilla de medición. Si el nivel está bajo, agregue una pequeña cantidad de aceite y vuelva a medir (Fig. 26). No lo llene demasiado.

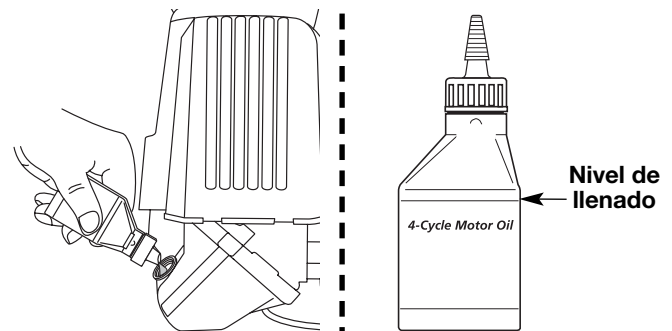


Fig. 26

6. Vuelva a colocar el tapón de relleno de aceite / varilla de medición.
7. Vuelva a conectar el manguito de la bujía de encendido.

# INSTRUCCIONES DE MANTENIMIENTO Y REPARACIÓN

## MANTENIMIENTO DEL FILTRO DE AIRE

### Limpieza del filtro de aire

Limpie y vuelva a aceitar el filtro de aire cada 10 horas de operación. Es una de las partes cuyo mantenimiento es importante. No mantener debidamente su filtro de aire puede resultar en funcionamiento inadecuado o puede causar daño permanente a su motor.



**ADVERTENCIA:** Para evitar graves lesiones personales, apague siempre su recortador y espere que se enfríe antes de limpiarlo o realizar todo tipo de mantenimiento.

1. Abra la cubierta del filtro de aire. Empuje hacia adentro la orejeta del lado derecho de la cubierta, y extraiga la cubierta del filtro de aire hacia afuera y hacia la izquierda (Fig. 27).

**NOTA:** Es posible que deba retirar la tapa de combustible para poder retirar por completo la cubierta del filtro de aire.

2. Retire el filtro de aire (Fig. 27).

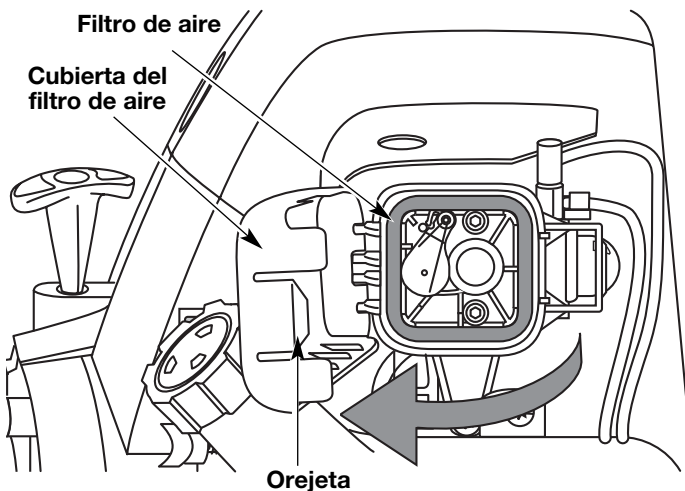


Fig. 27

3. Lave el filtro con agua y detergente (Fig. 28). Enjuague bien el filtro y déjelo secar.
4. Aplique suficiente aceite limpio de motor SAE 30 para recubrir ligeramente el filtro (Fig. 29).

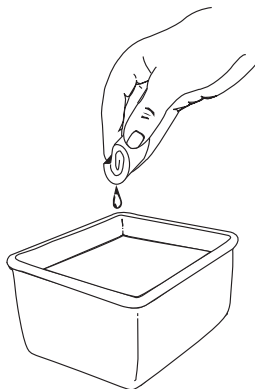


Fig. 28

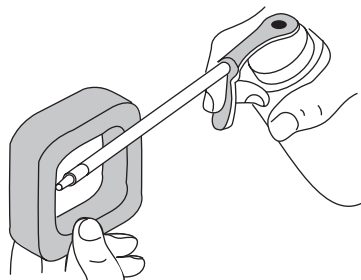


Fig. 29

5. Apriete el filtro para esparcir y retirar el exceso de aceite (Fig. 30).

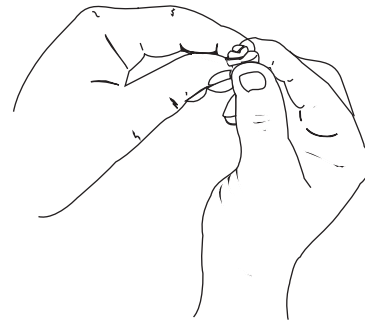


Fig. 30

6. Vuelva a colocar el filtro (Fig. 31).

**NOTA:** Si opera la unidad sin el filtro de aire, su garantía será ANULADA.

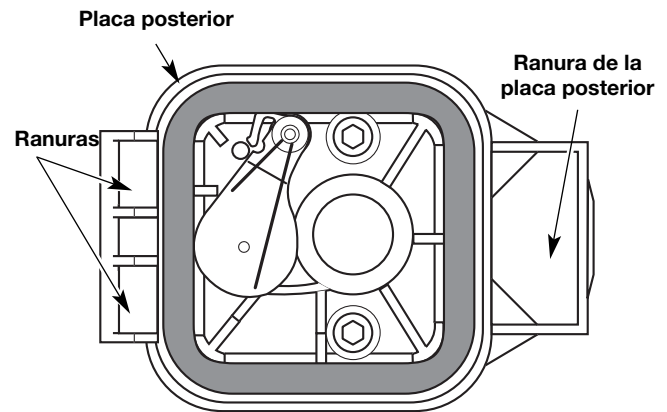


Fig. 31

7. Vuelva a instalar la cubierta del filtro de aire. Coloque los ganchos del lado izquierdo de la cubierta del filtro de aire en las ranuras del lado izquierdo de la placa posterior (Fig. 31).

**NOTA:** Puede ser necesario que retire la tapa del combustible para volver a instalar la cubierta del filtro de aire.

8. Mueva la cubierta hacia la derecha hasta que la orejeta del filtro de aire calce en su lugar en la ranura de la placa posterior (Fig. 31).
9. Vuelva a colocar la tapa del combustible, si es que la había retirado.

## AJUSTE DEL CARBURADOR

La velocidad mínima del motor puede ser ajustada. Puede tener acceso al tornillo de ajuste de mínima a través de un orificio en la parte superior de la cubierta del motor (Fig. 32).

**NOTA:** Los ajustes descuidados pueden dañar su motor seriamente. Los ajustes del carburador deben ser realizados por un proveedor de servicio autorizado.

## Inspección del Combustible

En general, el combustible viejo es el motivo principal para que la unidad no funcione en forma adecuada. Drene y vuelva a llenar el tanque con combustible nuevo, limpio y sin plomo antes de hacer ningún ajuste. Consulte la *Información acerca del Aceite y Combustible*.

# INSTRUCCIONES DE MANTENIMIENTO Y REPARACIÓN

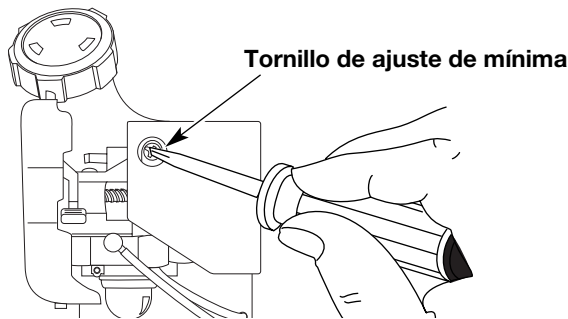


Fig. 32

## Limpeza del Filtro de Aire

La condición del filtro de aire es importante para el funcionamiento de la unidad. Un filtro de aire sucio limitará el flujo de aire y cambiará la mezcla de aire y combustible. Con frecuencia esto se confunde con un carburador fuera de ajuste. Inspeccione la condición del filtro de aire antes de ajustar el tornillo de velocidad mínima. Consulte la sección de *Mantenimiento del Filtro de Aire*.

## Ajuste del Tornillo de Velocidad Mínima



**ADVERTENCIA:** El accesorio de corte puede estar girando durante los ajustes del carburador. Use ropa que lo proteja y cumpla con todas las instrucciones de seguridad para prevenir graves lesiones personales.

Si después de inspeccionar el combustible y limpiar el filtro de aire el motor aún no funciona en mínima, ajuste el tornillo de velocidad mínima según se indica a continuación.

1. Arranque el motor y déjelo funcionar a una mínima alta durante un minuto para que se caliente.
2. Suelte el gatillo del regulador y deje que el motor funcione en mínima. Si el motor se para, inserte un destornillador Phillips pequeño o un destornillador de vástago plano en el orificio de la cubierta del motor (Fig. 32). Gire el tornillo de mínima hacia adentro, en sentido horario, de a 1/8 de vuelta por vez (según sea necesario) hasta que el motor funcione en mínima suavemente.

**NOTA:** El accesorio de corte no debe girar cuando el motor está funcionando en mínima.

3. Si el accesorio de corte gira cuando el motor está funcionando en mínima, gire el tornillo de velocidad mínima en sentido antihorario de a 1/8 de vuelta por vez (según sea necesario) para reducir la velocidad mínima.

La inspección del combustible, la limpieza del filtro de aire y el ajuste del tornillo de velocidad mínima debe resolver la mayoría de los problemas del motor. Si esto no sucede, y:

- El motor no funciona en mínima
- El motor fluctúa o se ahoga al acelerarlo
- Existe una pérdida de fuerza motriz

lleve el carburador a ajustar a un proveedor de servicio autorizado.



**ADVERTENCIA:** Al apagar la unidad, asegúrese de que el accesorio de corte se haya detenido antes de apoyar la unidad para prevenir graves lesiones personales.

## HUELGO DEL BRAZO OSCILANTE

Esto requiere el desarmado del motor. Si usted siente que no está seguro o que no está calificado como para realizar esto, lleve la unidad a un centro de servicio autorizado.

**NOTA:** Inspeccione el huelgo de la válvula del brazo oscilante con una galga después de las primeras 10 horas de operación y luego cada 25 horas de operación en lo sucesivo.

- El motor debe estar frío cuando verifique o ajuste el huelgo de la válvula.
  - Esta tarea debe ser realizada en interiores, en un área limpia y libre de polvo.
1. Retire la cubierta del silenciador presionando la esquina con un destornillador de vástago plano (Fig. 33). Deslice las muescas a los lados de la cubierta del silenciador sobre las orejetas de la cubierta del motor y retire.

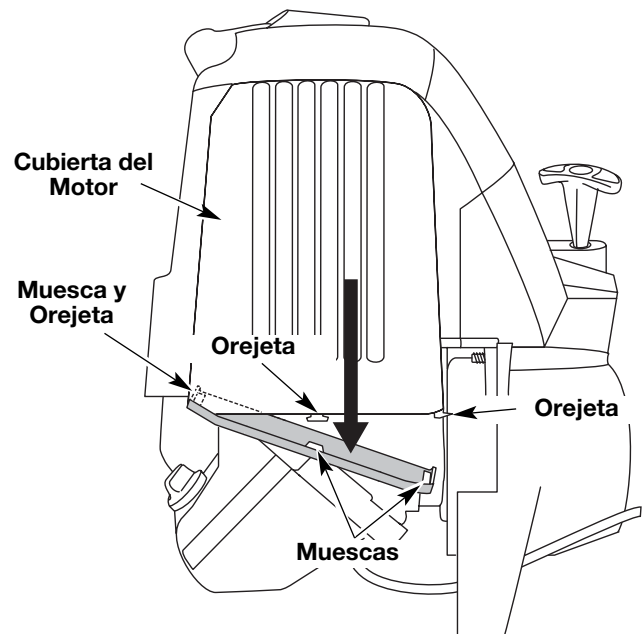


Fig. 33

2. Quite los dos (2) Tornillos de encima de la tapa del motor con un destornillador de pala o Torx #25 (Fig. 34).

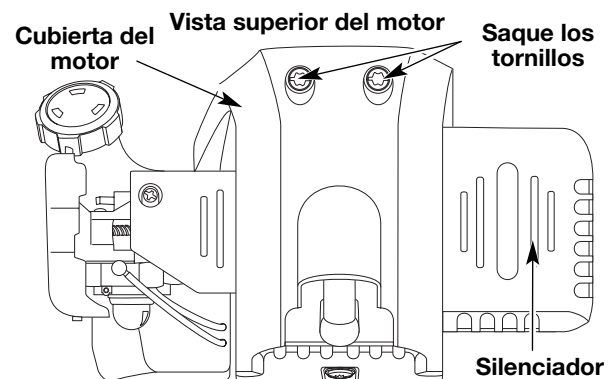


Fig. 34



# INSTRUCCIONES DE MANTENIMIENTO Y REPARACIÓN

3. Saque el tornillo que está detrás de la cubierta del motor (Fig. 35).

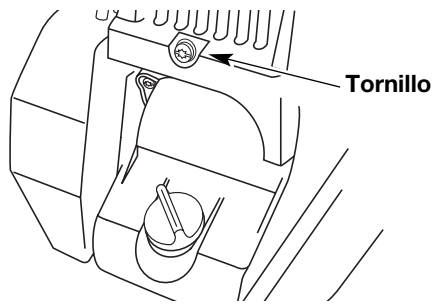


Fig. 35

4. Desconecte el cable de la bujía de encendido.
5. Limpie la suciedad de alrededor de la bujía de encendido. Saque la bujía de encendido de la cabeza del cilindro girando un casquillo de 16mm (5/8 pulgadas) en sentido antihorario.
6. Saque la cubierta del motor (Fig. 33).
7. Limpie la suciedad de alrededor de la cubierta del brazo oscilante. Saque el tornillo que sostiene la cubierta del brazo oscilante con un destornillador grande de vástago plano o con una broca Torx T-25 (Fig. 36). Saque la cubierta y la junta del brazo oscilante.

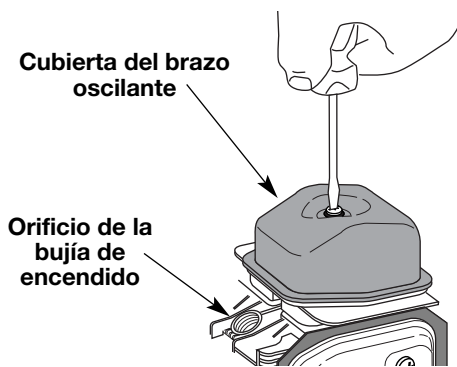


Fig. 36

8. Tire lentamente de la cuerda de arranque para traer el pistón hacia la parte superior de su recorrido (conocido como punto muerto superior). Verifique que:
  - El pistón se encuentre en la parte superior de su recorrido mientras mira dentro del orificio de la bujía de encendido (Fig. 36).
  - Ambos brazos oscilantes se mueven con libertad, y ambas válvulas están cerradas

De no ser así, repita este paso.

9. Deslice la galga entre el brazo oscilante y el resorte de retorno de la válvula. Mida el huelgo entre el vástago de la válvula y el brazo oscilante (Fig. 37). Realice esto en las válvulas de entrada y de escape

El huelgo recomendado para las válvulas de entrada es .003 - .006 pulgadas (.076 - 0.152 mm). El huelgo recomendado para las válvulas de escape es .013 - .016 pulgadas (.330 - 0.406 mm).

Use una galga regular de automóvil de .005 y .015 pulgadas (0.127 y 0.381 mm). La galga debe deslizarse entre el brazo oscilante y el vástago de la válvula con una ligera cantidad de resistencia, sin doblarse (Figs. 37 & 38).

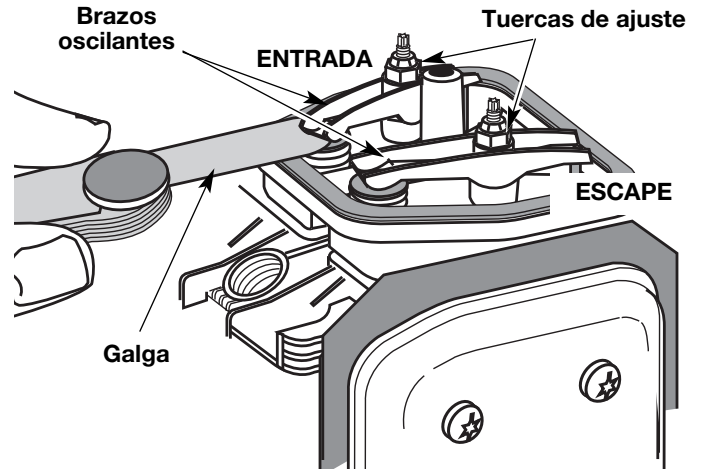


Fig. 37

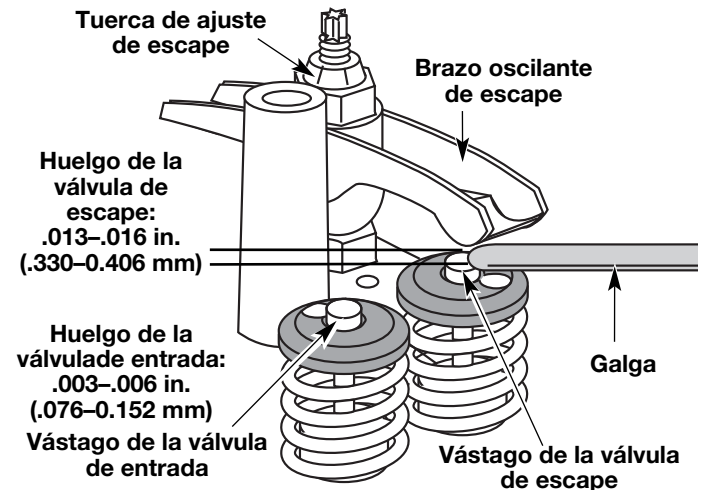


Fig. 38

10. Si el huelgo no se encuentra dentro de las especificaciones:
  - a. Gire la tuerca de ajuste con una llave de 5/16 pulgadas (8 mm) o una guía de tuercas (Fig. 38).
    - Para incrementar el huelgo, gire la tuerca de ajuste en sentido antihorario.
    - Para reducir el huelgo, gire la tuerca de ajuste en sentido horario.
  - b. Vuelva a inspeccionar ambos huelgos, y ajuste si es necesario.
11. Vuelva a instalar la cubierta del brazo oscilante utilizando una nueva junta. Ajuste el tornillo a 20-30 pulgadas•libra (2.2-3.4 N•m).
12. Vuelva a instalar la cubierta del motor. Verifique la alineación de la cubierta antes de ajustar los tornillos. Ajuste los tornillos.
13. Vuelva a colocar la cubierta del silenciador. Deslice las muescas a los lados de la cubierta del silenciador sobre las orejetas de la cubierta del motor y enganche en su lugar (Fig. 33).
14. Inspeccione la bujía de encendido y vuelva a instalar. Lea *Cambio de la Bujía de encendido*.
15. Vuelva a colocar el cable de la bujía de encendido.

# INSTRUCCIONES DE MANTENIMIENTO Y REPARACIÓN

## CAMBIO DE LA BUJÍA DE ENCENDIDO

Use una bujía de encendido 791-180852. La separación correcta es de 0,635 mm (0,025 pulg.). Retire la bujía luego de cada 25 horas de operación e inspeccione su estado.

1. Apague el motor y espere que se enfríe. Tome el alambre de la bujía con firmeza y sáquelo de la bujía de encendido.
2. Limpie alrededor de la bujía de encendido. Saque la bujía de encendido de la cabeza del cilindro girando una llave de casquillo de 16 mm (5/8 de pulgada) en sentido antihorario.
3. Cambie las bujías que estén rajadas, sucias o deterioradas. Fije la separación de aire a 0,635 mm (0,025 pulgadas) utilizando un calibrador (Fig. 39).



**PRECAUCIÓN:** No limpie con chorro de arena, ni raspe ni limpie los electrodos. El motor podría dañarse si penetran pequeñas partículas en el cilindro.

4. Instale una bujía de encendido con la separación correcta en la cabeza del cilindro. Ajuste girando la llave de casquillo 16 mm (5/8 de pulgada) en sentido horario hasta que esté ajustada sin huelgo.

Si usa una llave de torsión, ajuste a:  
**110-120 pulg. • libras (12.3-13.5 N • m)**  
No ajuste demasiado.

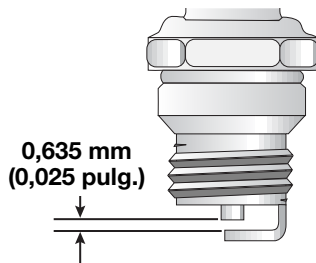


Fig. 39

## MANTENIMIENTO DEL AMORTIGUADOR DE CHISPAS

1. Saque la cubierta del amortiguador de chispas. Lea *Huelgo del brazo oscilante*.
2. Con un destornillador de vástago plano o broca Torx T20, saque el tornillo que conecta la cubierta del amortiguador de chispas al silenciador (Fig. 40).

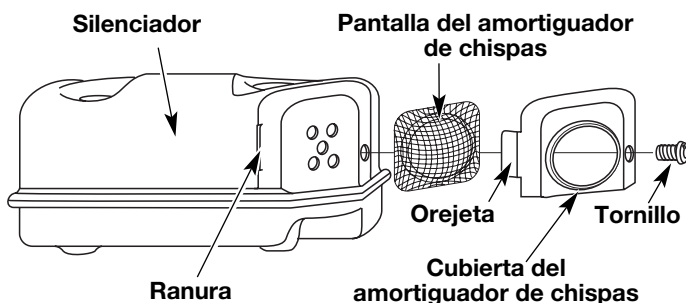


Fig. 40

3. Saque la orejeta de la cubierta del amortiguador de chispas fuera del silenciador. Retire la cubierta del amortiguador de chispas.

4. Saque la pantalla del amortiguador de chispas de la cubierta del amortiguador de chispas.
5. Limpie la pantalla del amortiguador de chispas con un cepillo de alambre, o cámbiela.
6. Vuelva a instalar la pantalla del amortiguador de chispas, la cubierta del amortiguador de chispas y el tornillo.

## LIMPIEZA



**ADVERTENCIA:** Para evitar graves lesiones personales, apague siempre su unidad y espere que se enfríe antes de limpiarlo o realizar cualquier tipo de mantenimiento.

Use un cepillo pequeño para limpiar la parte exterior de la unidad. No use detergentes fuertes. Los limpiadores domésticos que contienen aceites aromáticos como pino y limón, y con solventes como el queroseno pueden dañar el bastidor de plástico y la manija. Seque toda la humedad con un paño suave.

## ALMACENAMIENTO

- No guarde nunca la unidad con combustible en el tanque donde los vapores puedan llegar a una llama o chispa.
- Espere que el motor se enfríe antes de guardar la unidad.
- Guarde la unidad bajo llave para prevenir el uso por personas no autorizadas y su daño.
- Guarde la unidad en un área seca y bien ventilada.
- Guarde la unidad fuera del alcance de los niños.

## ALMACENAMIENTO POR LARGOS PERIODOS DE TIEMPO

Si debe guardar la unidad durante un largo período de tiempo:

1. Drene toda la gasolina del tanque en un recipiente. No use gasolina que haya estado guardada durante más de 60 días. Elimine la gasolina vieja de acuerdo con las normas federales, estatales y locales.
2. Arranque el motor y déjelo funcionar hasta que se ahogue. Esto asegura que toda la gasolina se haya drenado del carburador.
3. Deje enfriar el motor. Saque la bujía de encendido y coloque 5 drops de aceite de motor de buena calidad en el cilindro. Tire de la cuerda de arranque lentamente para distribuir el aceite. Vuelva a instalar la bujía de encendido.

**NOTA:** Saque la bujía de encendido y drene todo el aceite del cilindro antes de intentar usar el recortador luego de haber estado guardado.

4. Cambie el aceite. Lea *Cambio del Aceite*. Elimine el aceite viejo de acuerdo con las normas federales, estatales y locales.
5. Limpie bien la unidad y verifique que no existan partes flojas ni dañadas. Repare o cambie las partes dañadas y ajuste los tornillos, las tuercas o los pernos que estén flojos. La unidad está lista para ser guardada.

## TRANSPORTE

- Deje enfriar el motor antes de transportar la unidad.
- Asegure la unidad durante su transporte.
- Drene el tanque de gasolina antes de transportar la unidad.
- Ajuste la tapa de la gasolina antes de transportar la unidad.

# RESOLUCIÓN DE PROBLEMAS

## CAUSA

## ACCIÓN

### EL MOTOR NO ARRANCA

El tanque de combustible está vacío  
 La bombilla de cebado no fue oprimida lo suficiente  
 El combustible es viejo  
 La bujía de encendido está arruinada  
 Parachispas obstruido  
 La Palanca de Arranque en Frío está en la posición CERRADA (cuando la temperatura exterior sobrepasa 4°C (40°F))  
 La Palanca de Arranque en Frío está en la posición ABIERTA/ARRIBA (cuando la temperatura exterior es inferior a 4°C (40°F))

Llene el tanque con combustible bien mezclado  
 Oprima la bombilla de cebado total y lentamente de 10 veces  
 Drene el tanque de gasolina / Agregue combustible nueva  
 Cambie o limpie la bujía de encendido  
 Limpie o cambie el parachispas  
 Regrese la Palanca de Arranque en Frío a la posición ABIERTA/ ARRIBA  
 Regrese la Palanca de Arranque en Frío a la posición CERRADA y lea las *instrucciones de Arranque*

### EL MOTOR NO FUNCIONA EN MINIMA

El filtro de aire está obstruido  
 El combustible es viejo  
 El carburador no está ajustado en forma correcta

Cambie o limpie el filtro de aire  
 Drene el tanque de gasolina / Agregue combustible nueva  
 Ajuste según las instrucciones

### EL MOTOR NO ACELERA

El combustible es viejo  
 El carburador no está ajustado en forma correcta  
  
 El accesorio de corte está atascado de hierba  
 El filtro de aire está sucio  
 Parachispas obstruido

Drene el tanque de gasolina / Agregue combustible nueva  
 Lleve la unidad a un proveedor de servicio autoriza do para hacer un ajuste de carburador  
 Pare el motor y limpie el accesorio de corte  
 Limpie o cambie el filtro de aire  
 Limpie o cambie el parachispas

### EL MOTOR NO TIENE SUFICIENTE POTENCIA O SE AHOGA AL CORTAR

El combustible es viejo  
 El carburador no está ajustado en forma correcta  
  
 La bujía de encendido está arruinada  
 Parachispas obstruido

Drene el tanque de gasolina / Agregue combustible nueva  
 Lleve la unidad a un proveedor de servicio autoriza do para hacer un ajuste de carburador  
 Cambie o limpie la bujía de encendido  
 Limpie o cambie el parachispas

**Si necesita asistencia adicional, comuníquese con su proveedor de servicio autorizado.**

# ESPECIFICACIONES

## MOTOR\*

Tipo de motor .....	Enfriado por aire, 4 ciclos
Desplazamiento .....	1.6 pulgadas cúbicas (26.2 cc)
Tipo de embrague.....	Centrífugo
R.P.M. de operación.....	6,800 - 9,300 r.p.m.
R.P.M. de velocidad mínima.....	2,800 - 3,600 r.p.m.
Tipo de encendido.....	Electrónico
Interruptor de encendido.....	Interruptor oscilante
Huelgo de la válvula (entrada) .....	.003-.006 pulg. (.076-.152 mm)
Huelgo de la válvula (escape) .....	.013-.016 pulg. (.330-.406 mm)
Separación de la bujía de encendido .....	0.025 pulg. (0.635 mm)
Lubricación .....	Aceite SAE 30
Capacidad de aceite del cárter del cigüeñal.....	3.04 onzas (90 ml)
Combustible .....	Sin plomo
Carburador.....	Diafragma, multiposicional
Arranque .....	Bobinado automático
Silenciador .....	Amortiguado con protección
Regulador .....	Retorno manual del resorte
Capacidad del tanque de combustible .....	12 onzas (355 ml)

## EJE IMPULSOR Y ACCESORIO DE CORTE\*

Bastidor del eje impulsor.....	Tubo de acero (EZ-Link™)
Control del regulador .....	Gatillo para el dedo
Peso de la unidad (sin combustible, con la manija, accesorio de corte y protector) .....	13.15 libras (6 kg)
Mecanismo de corte:.....	Linea fija
Diámetro de línea de corte: .....	0.105 pulgadas (2.67 mm)

\*Toda las especificaciones contenidas en este manual se basan en la información más reciente disponible en el momento de impresión del manual. Nos reservamos el derecho de hacer cambios en cualquier momento sin aviso previo.



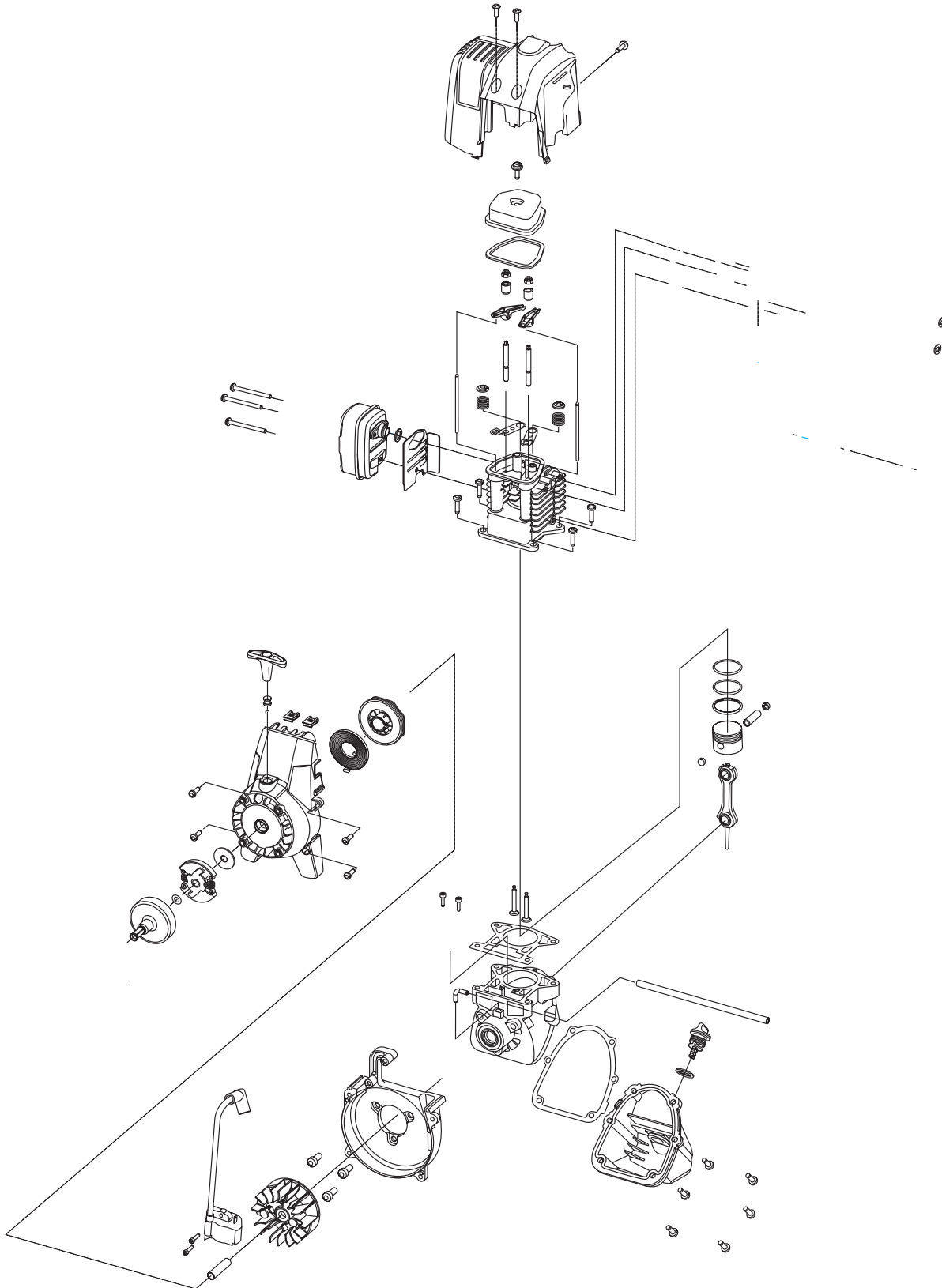
# NOTAS

# NOTAS

# NOTAS

# PARTS LIST

## ENGINE PARTS - MODELS MP425 & MP475 4-CYCLE GAS TRIMMERS



# PARTS LIST

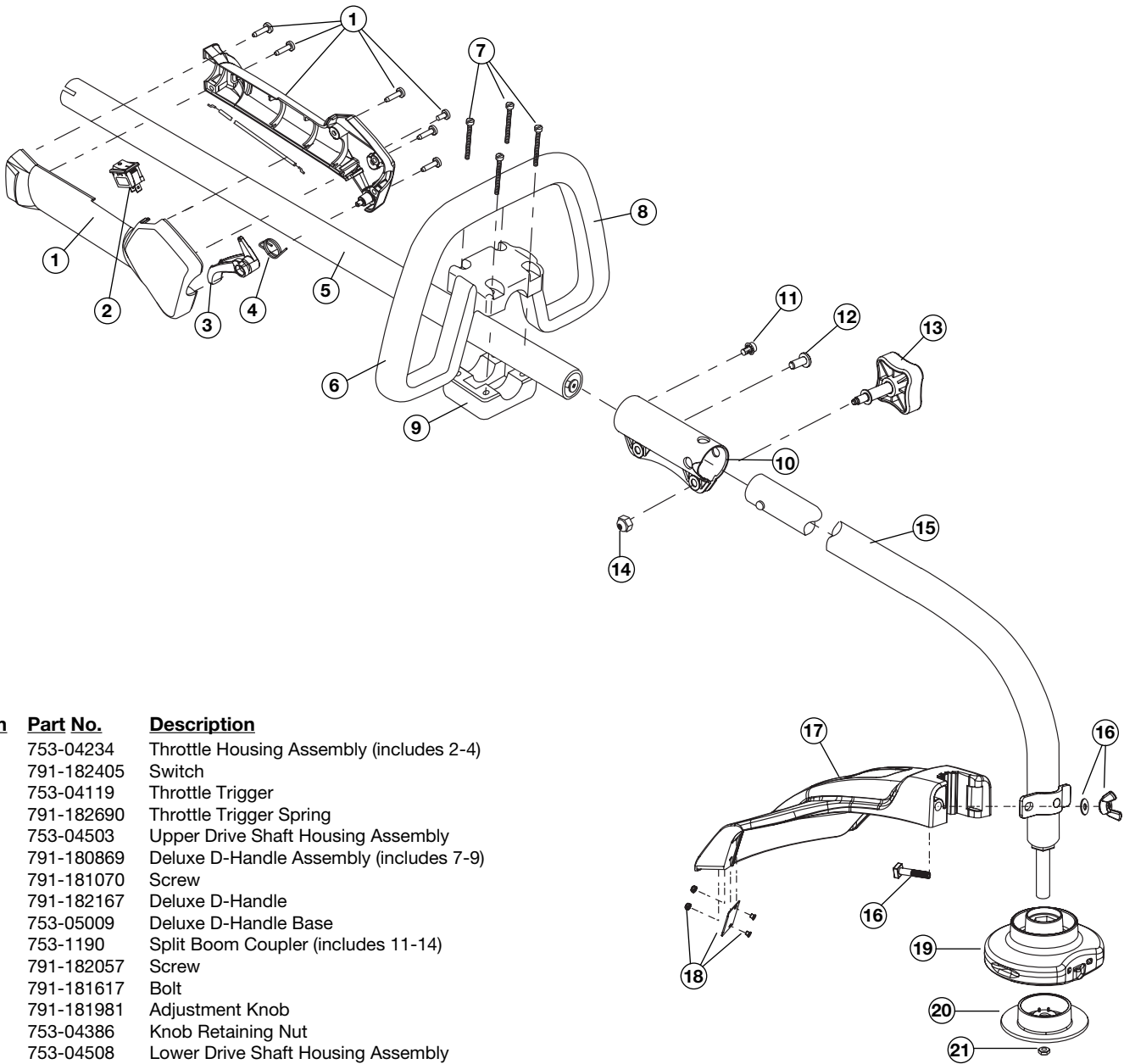
## ENGINE PARTS - MODELS MP425 & MP475 4-CYCLE GAS TRIMMERS

Item	Part No.	Description	Item	Part No.	Description
1	753-04083	Engine Cover	45	753-04288	Pulley Retainer
2	753-04994	Engine Cover Screws	46	753-1199	Recoil Pulley
3	791-181025	Valve Cover Screw	47	753-04286	Recoil Spring
4	791-182098	Valve Cover	48	791-182366	Nut Clip
5	791-182099	Valve Cover Gasket	49	791-181079	Pull Handle
6	791-182340	Rocker Adjustment Nut	50	791-611061	Rope Guide
7	791-182101	Rocker Arm Pivot	51	791-613103	Rope
8	791-182100	Rocker Arm	52	791-181020	Starter Housing Screw
9	791-182341	Rocker Arm Stud	53	753-05314	Starter Housing Assembly (includes 45-52)
10	791-182103	Valve Spring Retainer	54	791-182396	Clutch Washer
11	791-181038	Valve Spring	55	753-1238	Clutch with Spacer
12	791-182102	Push Rod Guide	56	791-153592	Clutch Drum
13	791-181033	Push Rod	57	753-1239	Clutch Cover
14	753-04816	Cylinder Assembly (includes 9, 12, 15, 71 & 72)	58	791-182519	Anti-Rotation Screw
15	791-181003	Cylinder Screw	59	753-1240	Screw
16	791-182345	Intake Baffle	60	753-1241	Nut
17	791-182749	Carburetor Mount Gasket	61	791-181345	Clutch Cover Screw
18	791-181034	Nut	62	753-04298	Ignition Module Assembly
19	791-182347	Carburetor Mount (includes 18)	63	791-181065	Spacer
20	791-182348	Carburetor Mount Screw	64	753-04299	Flywheel
21	791-182732	Carburetor Gasket	65	791-182743	Shroud Assembly (includes 83)
22	753-04745	Carburetor with Primer	66	753-05482	Crankcase Assembly (includes 67 & 68)
23	791-181751	O-Ring, Carburetor	67	791-182375	Breather Fitting
24	753-04305	Air Filter Assembly (includes 27)	68	791-182379	Breather Hose
25	791-182097	Breather Tube	69	753-04919	Cam Bracket Assembly
26	791-181750	Air Filter Mounting Screw	70	791-181012	Cam Bracket Screw
27	791-181757	Air Filter	71	791-181040	Valves, Intake and Exhaust
28	753-04033	Fuel Cap	72	791-182374	Cylinder Gasket
29	791-182352	Fuel Return Line	73	791-181018	Oil Pan Gasket
30	791-182353	Fuel Pick-Up Line with Filter	74	791-182377	Oil Pan (includes 73 & 75)
31	753-04510	Screw	75	791-181020	Oil Pan Screw
32	791-182409	Washer	76	753-04041	Dipstick Assembly (includes 77)
33	753-04085	Fuel Tank Assembly (includes 28-30)	77	791-182290	O-Ring
34	791-182356	Fuel Tank Shield	78	791-181009	Connecting Rod
35	753-04746	Throttle Cable	79	791-181008	Wrist Pin Button
36	791-182358	Muffler Baffle	80	753-1243	Piston (includes 82)
37	791-181048	Muffler Gasket	81	753-05176	Wrist Pin
38	791-182359	Muffler (includes 37, 39-41)	82	791-181005	Piston Ring Set
39	791-180890	Spark Arrestor Screen	83	791-181861	Shroud Screw
40	791-181045	Screen Cover	84	791-182360	Heat Shield
41	791-181046	Screw	85	791-182804	Wire Lead
42	791-182361	Muffler Mounting Screw	86	753-04098	Wire Lead Cover
43	753-04092	Muffler Cover	87	791-160428	Cable Clamp
44	791-182537	Wire Grommet	*	791-180852B	Spark Plug
			*	753-04818	Short Block Assembly (includes 3-14, 65-82)

\* Parts not shown

# PARTS LIST

## BOOM AND TRIMMER PARTS - MODEL MP425 4-CYCLE GAS TRIMMER



Item	Part No.	Description
1	753-04234	Throttle Housing Assembly (includes 2-4)
2	791-182405	Switch
3	753-04119	Throttle Trigger
4	791-182690	Throttle Trigger Spring
5	753-04503	Upper Drive Shaft Housing Assembly
6	791-180869	Deluxe D-Handle Assembly (includes 7-9)
7	791-181070	Screw
8	791-182167	Deluxe D-Handle
9	753-05009	Deluxe D-Handle Base
10	753-1190	Split Boom Coupler (includes 11-14)
11	791-182057	Screw
12	791-181617	Bolt
13	791-181981	Adjustment Knob
14	753-04386	Knob Retaining Nut
15	753-04508	Lower Drive Shaft Housing Assembly
16	753-04282	Guard Mounting Hardware
17	753-04283	Guard Assembly (includes 18)
18	791-180553	Blade Assembly
19	753-05500	Fixe Line Head Assembly (includes 20 & 21)
20	753-05428	Glide Cap
21	753-05429	Locknut

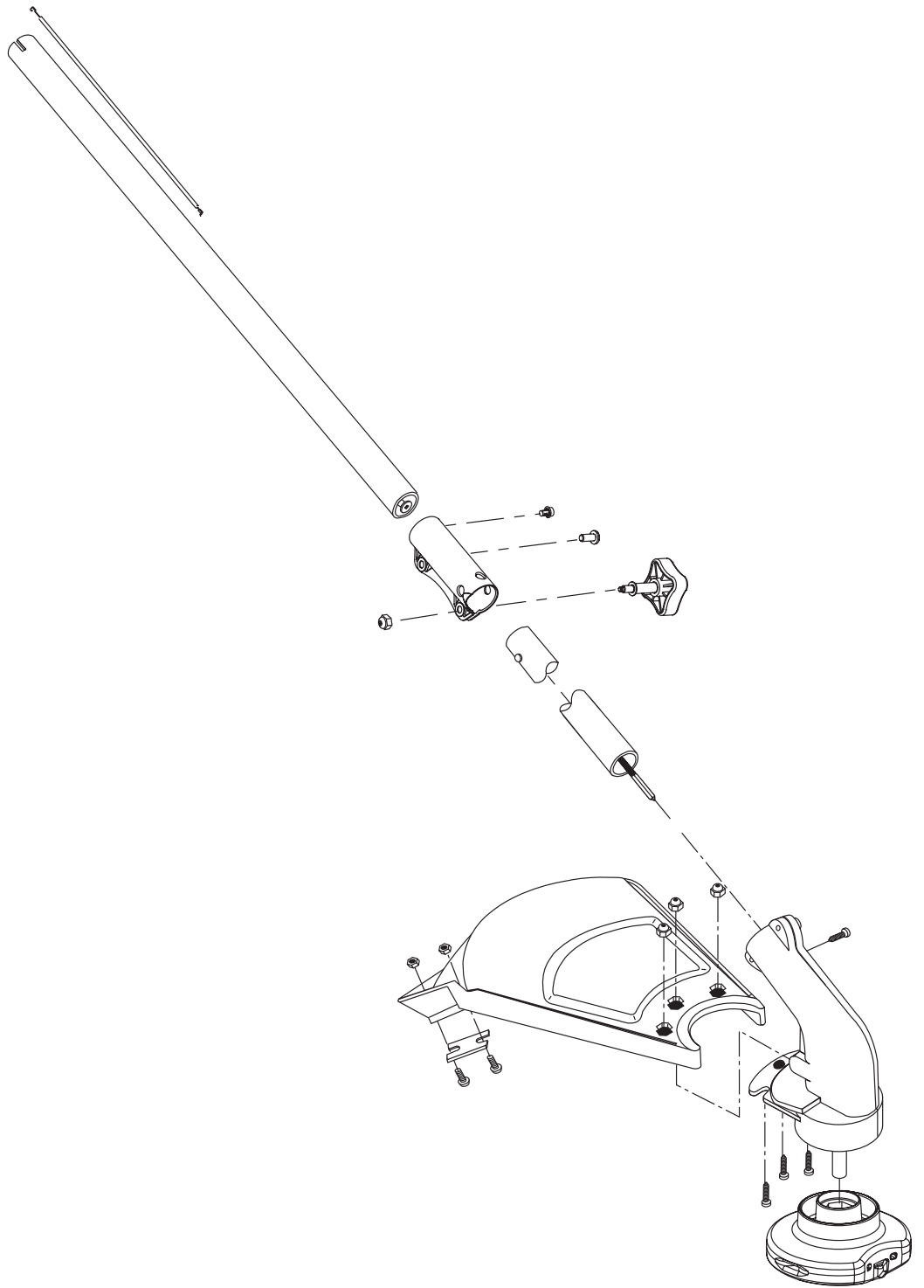
### Optional Accessories

\* 753-05493 Tube of Line

\* Item Not Shown

# PARTS LIST

## BOOM AND TRIMMER PARTS - MODEL MP475 4-CYCLE GAS TRIMMER



# GARANTÍA LIMITADA DEL FABRICANTE PARA:

# MTD PRO<sup>®</sup>

MTD LLC concede la garantía limitada establecida debajo para mercancías nuevas que sean compradas y usadas en los Estados Unidos, sus posesiones y territorios.

MTD garantiza este producto contra defectos en el material y la mano de obra durante un período de dos (2) años, a partir de la fecha de compra original y a su entera discreción, arreglará o substituirá sin costo alguno cualquier pieza cuyo material o mano de obra se considere defectuoso. Esta garantía limitada se deberá aplicar únicamente si este producto ha sido manejado y mantenido de acuerdo al Manual del Operario incluido con el producto y, si no ha sido sometido a mal uso, abuso, uso comercial, negligencia, accidente, mantenimiento inapropiado, alteración, vandalismo, hurto, fuego, agua o daños debidos a otros riesgos o desastre natural. Los daños ocasionados por la instalación o el uso de cualquier accesorio o aditamento que no esté aprobado por MTD y que sea usado con el (los) producto(s) contemplados en este manual, anularán la garantía con respecto a cualquier daño resultante. Esta garantía está limitada a noventa (90) días a partir de la fecha de compra original al detalle de cualquier producto MTD que se use para alquiler, para propósitos comerciales o cualquier otro propósito que genere ingresos.

**CÓMO OBTENER SERVICIO:** El servicio de garantía está disponible A TRAVÉS DE SU DISTRIBUIDOR DE SERVICIO LOCAL AUTORIZADO, AL PRESENTAR EL COMPROBANTE DE COMPRA. Para localizar al distribuidor en su área, visite nuestro sitio en Internet en [www.mtdproducts.com](http://www.mtdproducts.com), busque el aviso clasificado en las Páginas Amarillas, llame al **1-800-800-7310** o escriba a MTD LLC, PO Box 361131, Cleveland, OH 44136-0019.

**Esta garantía limitada no ofrece cobertura en los siguientes casos:**

- A. Sincronizaciones - bujías, ajustes de carburadores, filtros.
- B. Artículos de desgaste, perillas percusivas, carretes externos, línea de corte, carretes internos, polea de arranque, cuerdas de arranque, correas motoras.
- C. MTD no le ofrece ninguna garantía a los productos que sean vendidos o exportados fuera de los Estados Unidos de América, sus posesiones y territorios, excepto aquellos que se vendan a través de los canales de distribución para exportación autorizados por MTD.

MTD se reserva el derecho a cambiar o mejorar el diseño de cualquier producto MTD, sin adoptar ninguna obligación para modificar cualquier producto fabricado con anterioridad.

**Ninguna garantía implícita es aplicable después del período de aplicabilidad de la garantía expresa**

**escrita con anterioridad, incluyendo cualquier garantía implícita de comerciabilidad o idoneidad para un propósito particular con respecto a las piezas identificadas. Exceptuando lo mencionado anteriormente, ninguna otra garantía expresa bien sea escrita o verbal con respecto a cualquier producto que sea concedida por cualquier persona o entidad, incluyendo al distribuidor o minorista, deberá comprometer a MTD durante el período de la Garantía, el remedio exclusivo es el arreglo o la sustitución del producto según lo establecido anteriormente.** (Algunos estados no permiten limitaciones en cuanto al período de duración de una garantía implícita, de manera que puede que la limitación anterior no sea aplicable en su caso.)

**Las estipulaciones establecidas en esta Garantía ofrecen la solución única y exclusiva que resulte de las ventas. MTD no deberá ser responsable de pérdidas o daños incidentales o consecuentes que incluyan, sin limitación, gastos incurridos debido a la sustitución de servicios de mantenimiento de prados, transporte o gastos relacionados, o gastos de alquiler para reemplazar temporalmente un producto bajo garantía.** (Algunos estados no permiten limitaciones en cuanto al período de duración de una garantía implícita, de manera que puede que la limitación anterior no sea aplicable en su caso.)

Ningún tipo de recuperación deberá ser superior al precio de compra del producto vendido, en ningún caso. La alteración de las características de seguridad del producto deberá anular esta Garantía. Usted adopta el riesgo y la obligación de la pérdida, daño o lesión en su persona o a su propiedad y/o la de otras personas y sus propiedades, que se origine a raíz del uso o mal uso, o la incompetencia para usar el producto.

Esta garantía limitada no deberá cubrir a ninguna otra persona distinta al comprador original, arrendatario original, o la persona para la cual se compró en calidad de regalo.

Relación de las leyes estatales con esta Garantía: Esta garantía le confiere derechos legales específicos, y puede que usted también tenga otros derechos, los cuales varían en cada estado.

Para localizar al distribuidor de servicio local más cercano, marque el número **1-800-800-7310**.

**MTD LLC**

PO Box 361131  
Cleveland, OH 44136-0019



## Free Manuals Download Website

<http://myh66.com>

<http://usermanuals.us>

<http://www.somanuals.com>

<http://www.4manuals.cc>

<http://www.manual-lib.com>

<http://www.404manual.com>

<http://www.luxmanual.com>

<http://aubethermostatmanual.com>

Golf course search by state

<http://golfingnear.com>

Email search by domain

<http://emailbydomain.com>

Auto manuals search

<http://auto.somanuals.com>

TV manuals search

<http://tv.somanuals.com>