

OWNER'S GUIDE

• ASSEMBLY • OPERATION • MAINTENANCE • PARTS •

TWIN BAG GRASS COLLECTOR

Model Numbers
190-063-000
TMO-3511103
190-103-000

Model 190-063-000

Mounting Kits Required:

300 and 400 Series Front Engine Lawn Tractor
with 32", 36" or 38" Side Discharge Deck
Requires Grass Collector Mounting Kit Model 190-084-000

500 Series Rear Engine Rider
with 30", 32" or 38" Side Discharge Deck
Requires Grass Collector Mounting Kit Model 190-435-000

600 Series Front Engine Lawn Tractor
with 36" or 38" Side Discharge Deck PRIOR to 1990
Requires Wheel Weights Part Number 753-0476
(No Mounting Kit Required for Units 1990 and After)

No Mounting Kit Required for 42" Side Discharge Deck

Model 190-103-000

600 Series Front Engine Lawn Tractor
with 46" Deck
No Mounting Kit Required

Important: Read Instructions Carefully

CONTENTS OF HARDWARE PACK/LOOSE PARTS IN CARTON

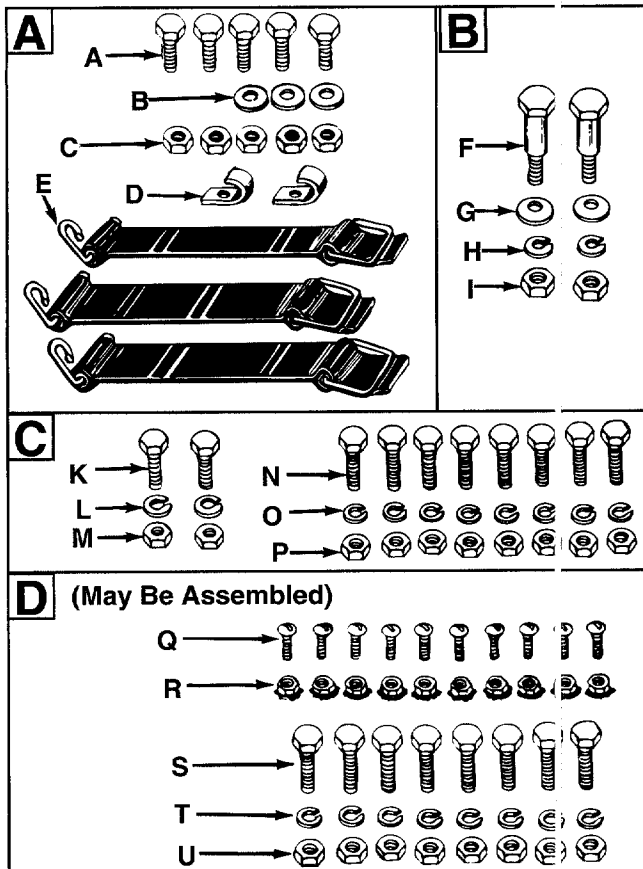


FIGURE 1.—Contents of Hardware Pack

CONTENTS OF HARDWARE PACK

(See figure 1):

(Hardware pack may contain extra items which are not used on your unit.)

Group A—Discharge Chute Tube Assembly

- A (5) Hex Bolts 1/4-20 x 5/8" Long
- B (3) Spring Washers 1/4" I.D.
- C (5) Hex Lock Nuts 1/4-20 Thread
- D (2) Retainer Clips
- E (3) Retainer Straps

Group B—Grass Collector Cover Assembly

- F (2) Shoulder Bolts 3/8-16 Thread
- G (2) Belleville Washers 1/2" I.D.
- H (2) Lock Washers 3/8" I.D.
- I (2) Hex Nuts 3/8-16 Thread

Group C—Latch Support Bracket

- K (2) Hex Bolts 5/16-18 x 3/4" Long
- L (2) Lock Washers 5/16" I.D.
- M (2) Hex Nuts 5/16-18 Thread
- N (8) Hex Bolts 1/4-20 x 5/8" Long
- O (8) Lock Washers 1/4" I.D.
- P (8) Hex Nuts 1/4-20 Thread

Group D—Grass Catcher Frame and Bag

- Q (10) Truss Machine Screws #10-24 x 1/2" Long
- R (10) Hex Sems Nuts #10-24 Thread
- S (8) Hex Bolts 1/4-28 x 7/8" Long
- T (8) Lock Washers 1/4" I.D.
- U (8) Hex Nuts 1/4-28 Thread

LOOSE PARTS IN CARTON

Loose parts are shown in figure 2.

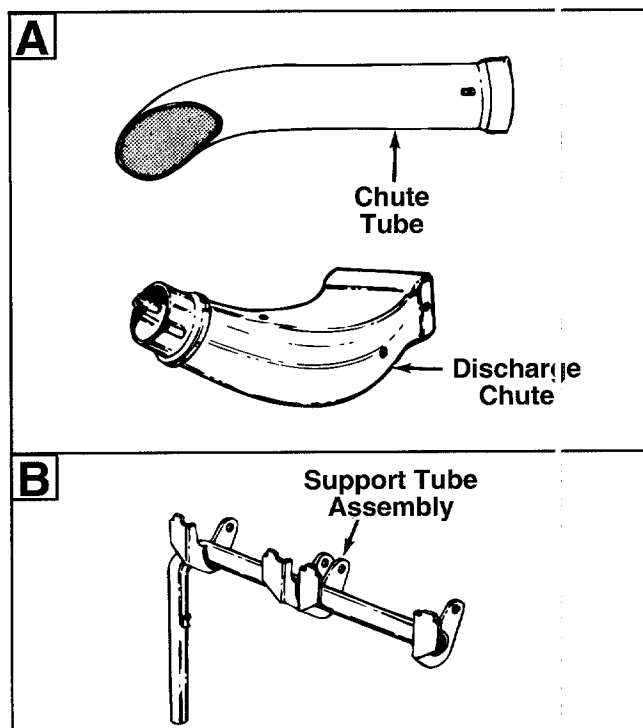
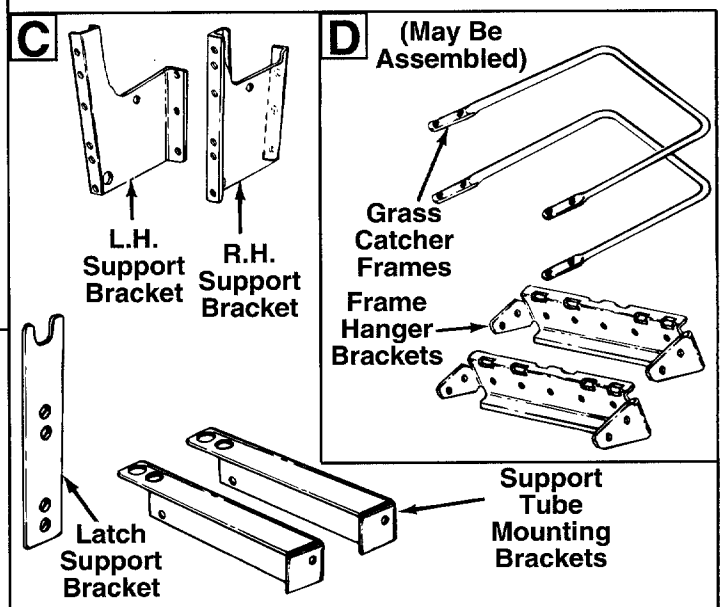


FIGURE 2.—Loose Parts in Carton



ASSEMBLY INSTRUCTIONS



WARNING: When mounting the 063 Grass Collector on a 600 series lawn tractor with a 36" or 38" deck built prior to 1990, wheel weights must be installed for stability before the lawn tractor is operated. Order part number 753-0476.

IMPORTANT: For 600 series lawn tractors with a 38" "deep" deck (Model 805) produced prior to 1987, replace the right hand blade on the deck with a 3" wide high lift blade (part number 742-0473A) for proper operation of the grass collector.

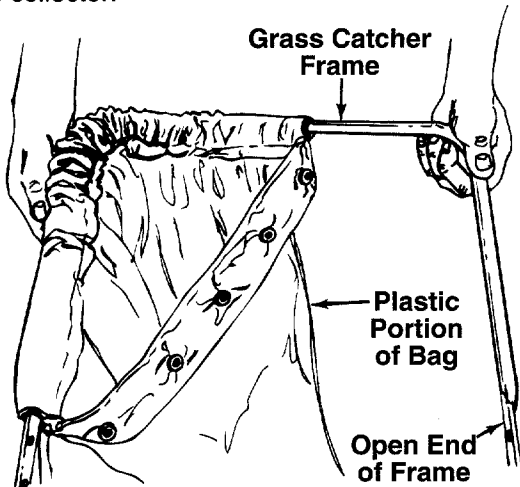


FIGURE 3.

NOTE: Reference to right or left hand side of the unit is observed from the driver's seat, facing forward.

ASSEMBLY OF GRASS CATCHER FRAME AND BAG (If Unassembled—Group D)

1. Feed frame into the channel on the fabric portion of the grass catcher bag as shown in figure 3. The plastic portion of bag goes toward the open end of frame.

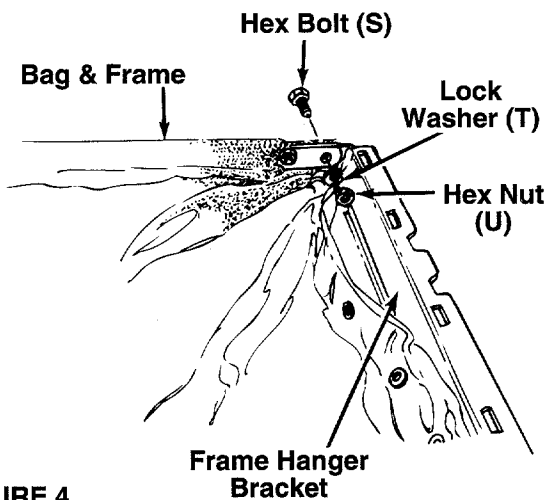


FIGURE 4.

2. Attach one frame hanger bracket to the bag and frame as follows. See figure 4.

- a. Place the ends of the frame inside the bag, with the grommets in the bag lined up with the holes in the frame.
- b. The frame hanger bracket goes outside of the bag and the frame. The flange with the slots is the top of the hanger bracket. Working on one side, line up the holes in the frame and bag with the holes in frame hanger bracket. Secure hex bolts (S), lock washers (T) and hex nuts (U), finger tight only. The head of the bolts go to the outside of the bag.
- c. Secure the other side of the frame, bag and frame hanger bracket in the same manner.
- d. Tighten all four nuts and bolts securely.

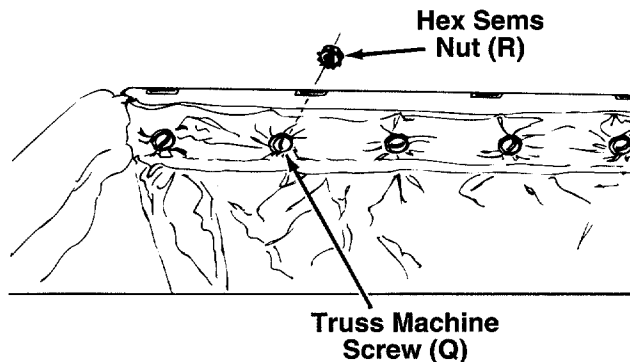


FIGURE 5.

3. Attach the front of grass bag to the hanger bracket with five truss machine screws (Q) and hex sems nuts (R). The heads of the screws go on the inside of the bag as shown in figure 5.

4. Assemble the second bag and frame by repeating steps 1 through 3.

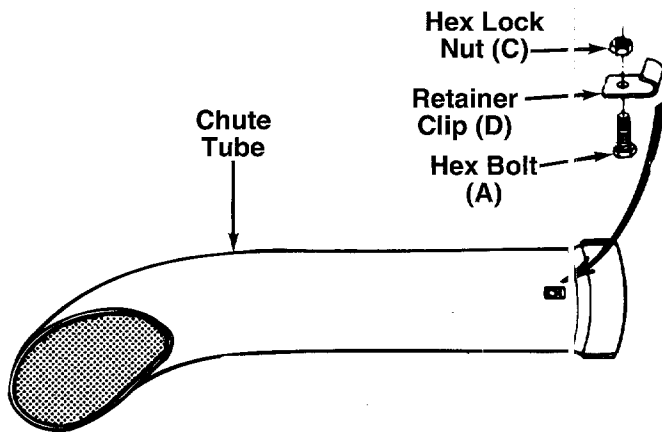


FIGURE 6.

ASSEMBLY OF DISCHARGE CHUTE TUBE (Group A)

1. Attach the retainer clips (D) to the bottom of the lower tube as shown in figure 6. Secure with hex bolts (A) and hex lock nuts (C).
2. Assemble two retainer straps (E) to the upper end of the discharge chute as shown in figure 7. Secure with hex bolts (A), spring washers (B) and hex lock nuts (C).

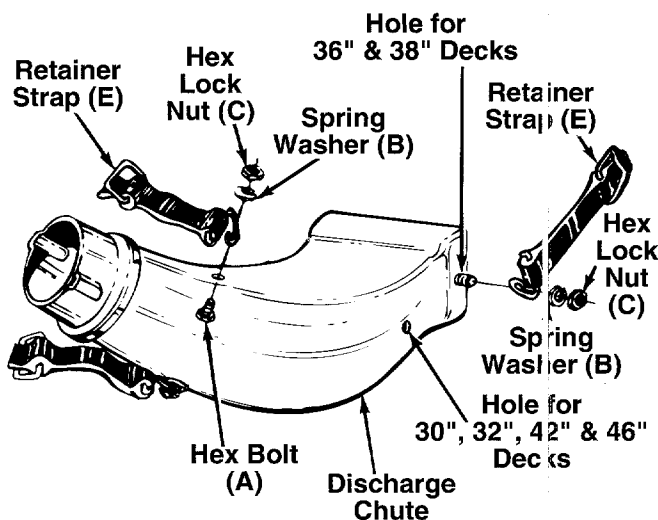


FIGURE 7.

NOTE: When assembling the retainer strap to the lower portion of the discharge chute, select the proper hole location for your deck as shown in figure 7.

3. Assemble retainer strap (E) to the lower portion of the discharge chute, selecting proper hole as shown in figure 7. Secure with hex bolt (A), spring washer (B) and hex lock nut (C).

ASSEMBLY OF SUPPORT BRACKETS (Group C)

NOTE: Units with twin cylinder engines: Two mounting brackets were included with your lawn tractor (part numbers 17077A and 17078A). Use those brackets instead of the brackets supplied with the grass catcher.

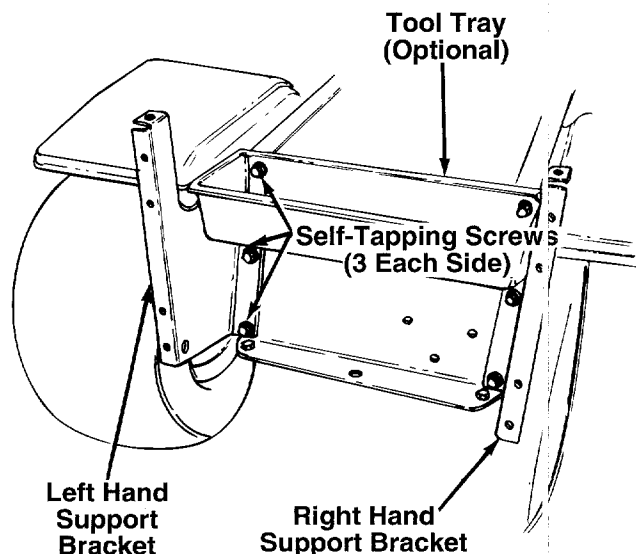


FIGURE 8.

1. Attach the right and left hand support brackets to the lawn tractor as follows.
 - a. Remove six self-tapping screws from the rear of the lawn tractor. On some units, two of these screws will hold either a tool tray or a fender panel. See figure 8.
 - b. Place the right and left hand grass catcher support brackets in position as shown in figure 8. Secure support brackets (and tool tray or fender panel if so equipped) to the tractor frame with self-tapping screws removed in step a.

NOTE: If the grass collection system is removed for any reason, it is not necessary to remove the support brackets.

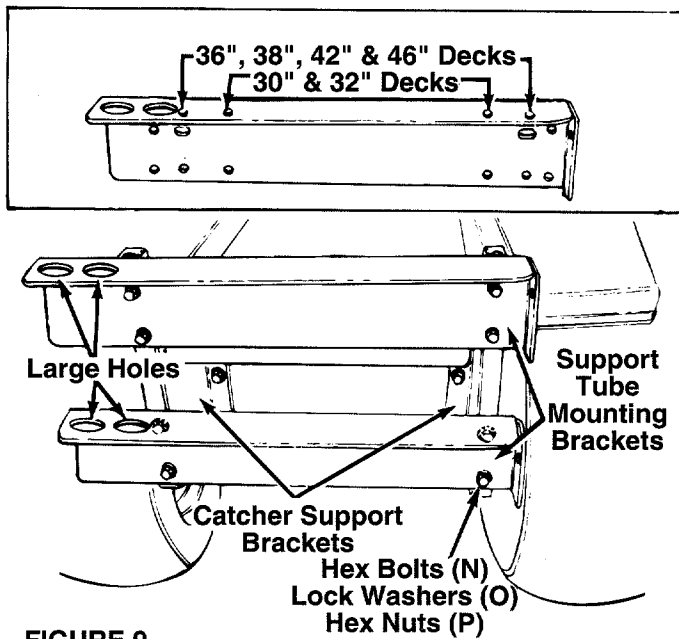


FIGURE 9.

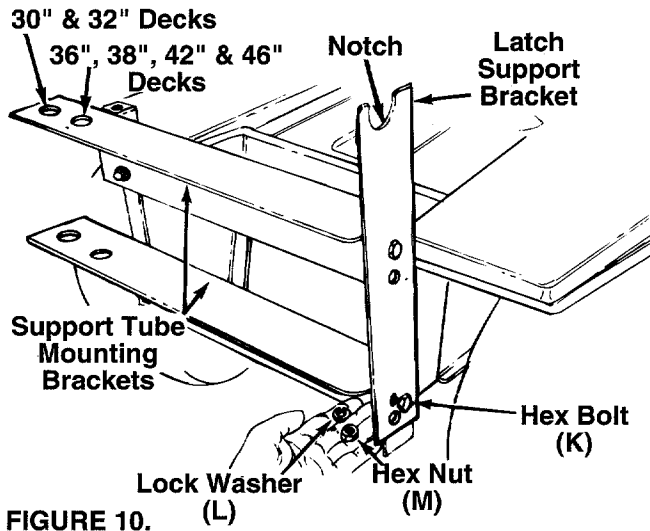


FIGURE 10.

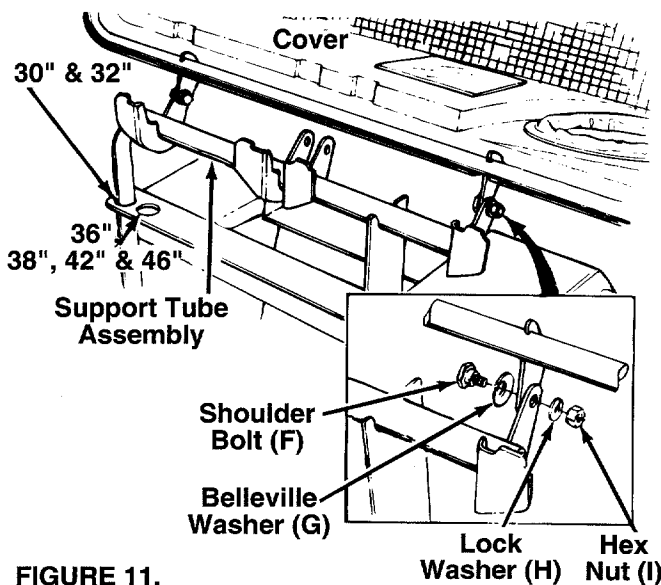


FIGURE 11.

2. Attach the two support tube mounting brackets to the support brackets as follows.
 - a. Examine the illustration in figure 9 to determine which holes in the support tube mounting brackets to use for your unit.
 - b. Place the support tube mounting brackets in position against the support brackets. See figure 9. The large holes in the support tube mounting brackets go to the left side of the unit. The flange in the brackets go toward the top.
 - c. Secure with hex bolts (N), lock washers (O) and hex nuts (P), finger tight only. After all eight hex bolts and nuts are assembled, then tighten securely.

NOTE: It may be necessary to spread the support brackets slightly in order to align the holes.

3. Assemble the latch support bracket to the right side of the support tube mounting brackets using the **upper** set of holes in the latch support bracket as shown in figure 10. Assemble so the notch in the top of the latch support bracket is toward the rear of the unit. Secure with two hex bolts (K), lock washers (L) and hex nuts (M).

ASSEMBLY OF COVER (Group B)

1. Place the support tube assembly in position on the rear of unit by sliding the support tube down through the holes in the left side of tube mounting brackets. Use the inside hole for 36", 38", 42" and 46" decks. Use the outside hole for 30" and 32" decks. See figures 10 and 11.
2. Place belleville washers (G) on shoulder bolts (F) so that the crowned side of the washers is against the head of the shoulder bolt.
3. Place the cover in position against the brackets on the support tube assembly as shown in figure 11. (Allow the cover to rest on the seat of the lawn tractor for ease of assembly.) Line up the holes in the hinges of the cover with the holes in the support tube.
4. Insert the shoulder bolts (with washers attached) through the hinges on the cover and the support tube assembly. Heads of the shoulder bolts go toward the inside of the unit. Secure with lock washers (H) and hex nuts (I). Do not overtighten. Cover must be able to pivot on the support tube.

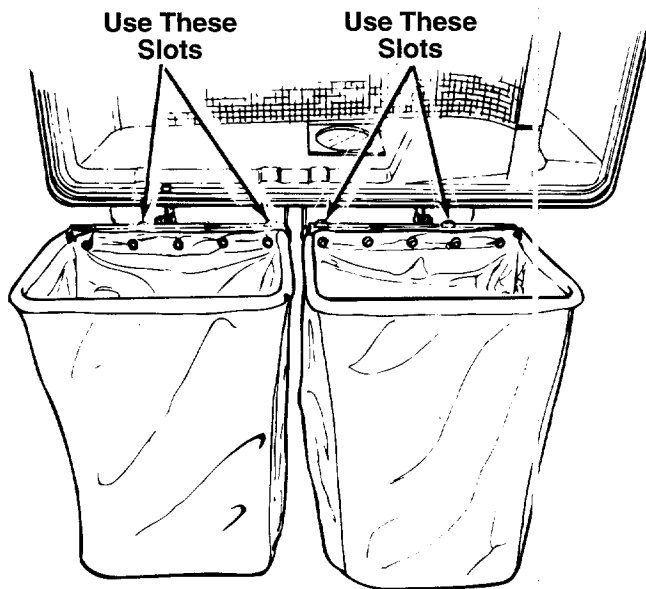


FIGURE 12.

5. Attach the grass bags using the slots shown in figure 12.
6. Close the cover on the grass collector.

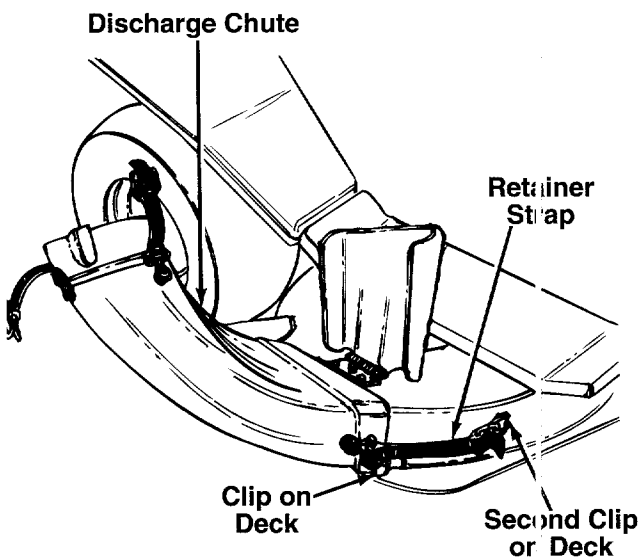


FIGURE 13.

ATTACHING THE DISCHARGE CHUTE TO THE TRACTOR

1. Raise the deck to its highest position. Raise the chute deflector on the deck. Place the top edge of discharge chute in position over the chute opening on the deck, then push down on discharge chute so the front edge locks into clip on deck. See figure 13.
2. Lock discharge chute in position by hooking retainer strap over the second clip on the deck.

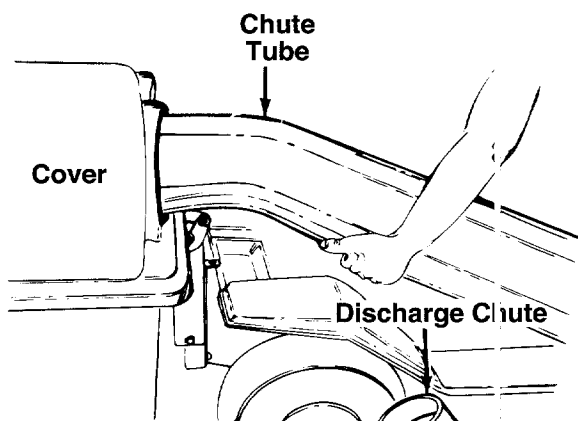
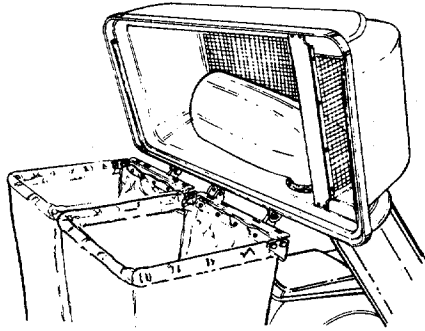


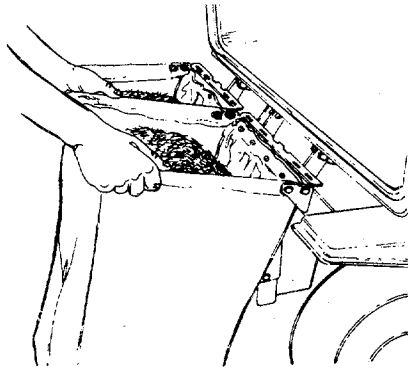
FIGURE 14.

3. Insert the upper end of the chute tube into the hole in the cover. See figure 14.
4. Place the lower end of chute tube over the discharge chute. See figure 14. Secure by placing the ends of the retainer straps on the discharge chute over the retainer clips on the chute tube.

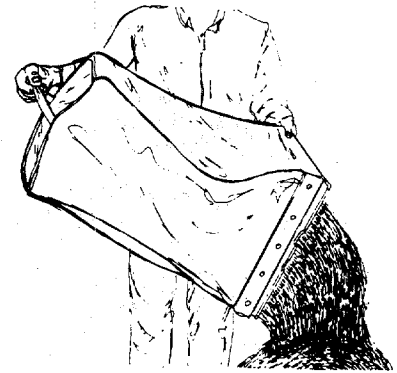
OPERATION



To open the cover, simply lift up on cover. Then chute tube assembly does not have to be removed.



To remove the grass bags, lift up on bag and unhook the frame of the bag from the support tube assembly.



To empty the grass, use the handle which is provided on the bottom of each bag.

NOTE: Units with twin cylinder engines (fuel tank in the rear): To allow access to the fuel tank, disconnect the lower chute tube from the discharge chute. Lift up on the center of the grass catcher support tube, and swing the grass catcher out of the way.

IMPORTANT: Under normal usage, the grass collector is subject to wear and should be checked periodically. Be certain any replacement bag complies with the mower manufacturer's recommendation. Wash grass bag periodically with water. Allow to dry thoroughly in the shade. Do not use heat.

Free Manuals Download Website

<http://myh66.com>

<http://usermanuals.us>

<http://www.somanuals.com>

<http://www.4manuals.cc>

<http://www.manual-lib.com>

<http://www.404manual.com>

<http://www.luxmanual.com>

<http://aubethermostatmanual.com>

Golf course search by state

<http://golfingnear.com>

Email search by domain

<http://emailbydomain.com>

Auto manuals search

<http://auto.somanuals.com>

TV manuals search

<http://tv.somanuals.com>