

Operating/Service Instructions

POWER VACUUM

Model Nos.

243-670

243-680

I M P O R T A N T

SAFE OPERATION PRACTICES FOR POWER VACUUMS

1. Read the operating and service instruction manual carefully. Be thoroughly familiar with the controls and proper use of the power vacuum.
2. Never allow children to operate this power vacuum.
3. Keep the area of operation clear of all persons, particularly small children and pets.
4. Check fuel before starting engine. Do not fill fuel tank indoors, when engine is running, or while engine is hot. Wipe off any spilled fuel before starting engine.
5. Do not change engine governor settings.
6. Do not put hands near rotating parts for any reason.
7. If the power vacuum should start to vibrate abnormally, stop the engine and check immediately for the cause. Vibration is generally a warning of trouble.
8. Before cleaning, repairing or inspecting make certain all moving parts have come to a complete stop. Disconnect spark plug wire and keep wire away from plug to prevent accidental starting. Also keep throttle control lever in the stop position.
9. If the power vacuum should become blocked with debris at any point shut engine off and wait until the impeller comes to a complete stop before attempting to remove the obstruction. Disconnect spark plug wire to prevent accidental starting.
10. Check all bolts for tightness at frequent periods.
11. Never store this power vacuum with fuel in the tank. Allow engine to cool before starting in any enclosure.
12. Keep bag and equipment free of debris when not in use.
13. Never operate this power vacuum unless air duct and vacuum bag is properly affixed in their place. Large zippered end of bag must be closed when operating to prevent objects from being blown out.
14. Never empty vacuum bag when engine is running.
15. Never change inlet nozzle or auxiliary hose attachment when engine is running.
16. The manufacturer recommends that the operator wear safety glasses or some other suitable eye protection when operating this machine.
17. Check the vacuum bag frequently for wear and replace when necessary.

ASSEMBLY INSTRUCTIONS

(Refer to Figure 1)

1. Place the upper handle in position and fasten with four (4) hex screws (Ref. No. 138) and hex center-lock nuts (Ref. No. 135) provided.
2. Place the air duct (Ref. No. 11) in position on the blower housing (Ref. No. 26) and fasten with four (4) flat washers (Ref. No. 32) and hex nuts (Ref. No. 31) provided.
3. Slide the vacuum bag (Ref. No. 41) over the back of the upper handle and snap the four flaps to hold the bag.
4. Slide the bag over the air duct.
5. Fasten the nozzle (Ref. No. 27) to the front of the vacuum with four flat washers (Ref. No. 28) and thumb nuts (Ref. No. 29) provided.
6. Use the following steps on the self propelled unit only.
7. Fasten the throttle control (Ref. No. 144) to the right hand side of the upper handle with one hex screw (Ref. No. 142) and hex center locknut (Ref. No. 143) provided.
8. Secure throttle control cable to the lower handle with the cable clip (Ref. No. 148) provided. Note: Cable clip must be assembled to lower handle with the open end towards the engine. This will prevent wear to the bag.
9. Place ferrule (Ref. No. 5) through control lever (Ref. No. 10).
10. Place flat washer (Ref. No. 4) over ferrule and thread control rod (Ref. No. 3) into ferrule about eight or nine turns.
11. Hook formed end of control rod (Ref. No. 3) in the shifting finger (Ref. N. 60).
12. Place curved face of spacer (Ref. No. 9) towards the outside of upper handle left hand side.
13. Fasten control lever in position with hex screw (Ref. No. 2) and two hex nuts (Ref. No. 6) provided.
14. Engage and disengage control lever, check for free pivoting action. It may be necessary to readjust the control rod.

OPERATION

1. Service engine with gas and oil. See engine manual packed with lawn mower for complete instructions for care and maintenance of engine. READ DIRECTIONS CAREFULLY.

START ENGINE

After the engine has been properly fueled and oiled (refer to engine operating and maintenance instructions), start engine in the following manner.

PUSH MODEL 243-670

1. Move throttle control lever on engine to START position.
2. Crank engine. Pull recoil with a quick firm pull. Do not pull out so far that rope stops with a jerk as this will cause rope failure. Do not allow rope and handle to snap back into place.
3. After two or three full firm pulls on recoil (or as soon as engine fires), move speed control to run position.
4. Operate a new engine at intermediate speeds and light load for the first few hours as you would a new automotive engine.
5. To stop engine, move speed control lever on engine to stop position.
6. If carburetor needs adjustment to start or for operation, see "Carburetor Readjustment" section.

SELF PROPELLED MODEL 243-680

1. Place drive engagement lever in the neutral position (towards the operator).
2. Move throttle control lever on handle to START position.
3. Crank engine. Pull recoil with a quick firm pull. Do not pull out so far that rope stops with a jerk as this will cause rope failure. Do not allow rope and handle to snap back into place.

4. After two or three full firm pulls on recoil (or as soon as engine fires), move throttle control to run position.
5. Operate a new engine at intermediate speeds and light load for the first few hours as you would a new automotive engine.
6. To stop engine, move throttle control lever on handle to stop position.
7. If carburetor needs adjustment to start or for operation, see "carburetor readjustment" section.
8. For forward travel, move drive engagement lever FORWARD as far as possible. To stop forward movement, pull lever towards the operator into neutral position.

NOTE: A brief break-in period is essential to insure maximum engine life. This consists of running the engine at half-speed for a period of time required to use one tank of gasoline. This is necessary on the initial run only. It is also recommended that the oil be changed after five (5) hours of operation. This allows for the removal of impurities which may have accumulated during the break-in period. Subsequent oil changes should be made as stated in the engine manual. Always check oil before using your vacuum. Be sure crankcase is full.

ADJUSTMENTS

CAUTION: Do not at any time make any adjustment to power vacuum without first stopping engine and disconnecting spark plug wire.

1. **NOZZLE GROUND CLEARANCE**—This vacuum can be adjusted for nine heights from 0" to 5". To change the height, move the height adjustment lever towards the engine and forward to raise the height and move to the rear to lower the height. The one lever adjusts the front two wheels at the same time.
2. **BELT**—The belt requires no adjustment. The idler maintains the proper tension on the belt at all times.
3. **THROTTLE**—Self propelled unit only. If adjustment becomes necessary, the throttle control wire assembly can be reset as follows:
 - a. Loosen, but do not remove, screw securing throttle control wire assembly at engine.
 - b. Move throttle control lever on handle to "Fast" position.
 - c. Move lever to which control wire is fastened at engine, to full open position and retighten screw to secure throttle control wire assembly.

LUBRICATION

Important: Always stop engine and disconnect spark plug wire before cleaning, lubricating or doing any kind of work on lawn mower.

1. **ENGINE**—Follow Engine Manual for lubrication instructions.
2. **CHAIN**—Lubricate periodically with light engine oil (S.A.E. No. 10 or 20)
3. **CONTROLS**—Lubricate periodically the control assemblies and conduit and wire with light engine oil for ease of operation.
4. **WHEELS**—Lubricate periodically bearings on all four wheels with light engine oil.

BELT REMOVAL (SELF PROPELLED ONLY)

(Refer to Figure 1)

1. Remove the nozzle (Ref. No. 27) or hose adapter plate (optional equipment) if on the unit, by removing four flat washers (Ref. No. 28) and thumb nuts (Ref. No. 29).
2. Remove engine crankshaft bolt (Ref. No. 25) and lockwasher (Ref. No. 24).
3. Remove four hex nuts (Ref. No. 17) and lockwashers (Ref. No. 18) from rear of blower housing assembly (Ref. No. 26). This will allow you to remove the blower housing assembly and air vane assembly in one unit.
4. Remove the hopper engine mounting plate by removing five bolts (Ref. No's. 35 and 37) and washers (Ref. No. 37).
5. Unhook idler spring (Ref. No. 55) and remove.
6. Remove the bearing support bracket (Ref. No. 84) by removing two hex nuts (Ref. No. 85) and washers (Ref. No. 8).
7. Remove and install the new belt.
8. Reverse the above procedure making sure the small end of the four spacers are towards the engine.

NOTE: The Vacuum Bag has an air escape located on the upper right hand side. This should be open when the bag becomes half full.

IF YOU WRITE TO US ABOUT THIS ARTICLE OR
IF YOU ORDER REPLACEMENT PARTS ALWAYS
MENTION THIS STOCK AND MODEL NUMBER

STOCK No. MODEL No.

243-670
243-680

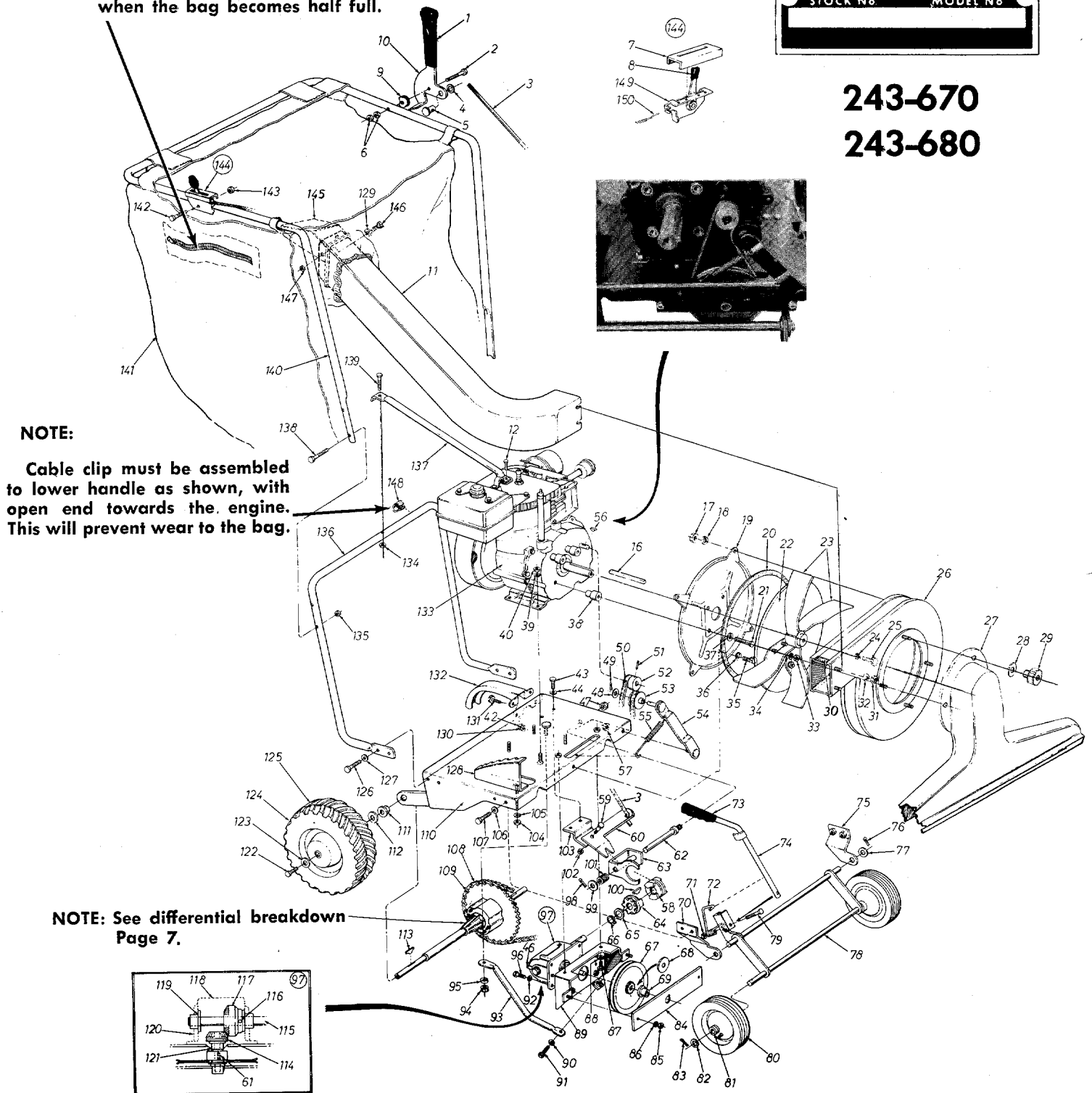


FIGURE 1. EXPLODED VIEW

PARTS LIST FOR VACUUM MODEL 243-670 AND 243-680

REF. NO.	PART NO.	COLOR CODE	DESCRIPTION	NEW PART	REF. NO.	PART NO.	COLOR CODE	DESCRIPTION	NEW PART
1	720-142		Grip (243-680 only)		50	754-176		"V"-Belt 1/4 x 22.76 Lg. (243-680)	N
2	710-606		Hex Scr. 1/4-20 x 1 1/2" Lg.* (243-680 only)		51	710-938		Set Scr. 1/4-28 x .25" Lg. (243-680)	
3	711-596		Control Rod (243-680 only)		52	711-590		P.T.O. Sheave (243-680)	N
4	736-108		Flat Washer .510 I.D. x .75 O.D. (243-680 only)		53	756-194		Idler Pulley (243-680)	N
5	711-179		Adj. Ferrule (243-680 only)		54	12206		Idler Bracket Ass'y. (243-680)	N
6	712-107		Hex Center Locknut 1/4-20 Thd. (243-680 only)		55	732-157		Spring .38 O.D. x 3.25" Lg. (243-680)	
7	731-180		Plastic Label (243-680)		56	714-108		Woodruff Key (243-680)	
8	7470		Throttle Control—Knob (243-680)		57	712-429		Hex Inserted Locknut 5/16-18 Thd. (243-680)	
9	748-210		Spacer (243-680 only)		58	748-161		Clutch Collar (243-680)	
10	12226		Control Lever (243-680 only)	N	59	738-140		Shoulder Bolt .437 Dia. x .180 (243-680)	
11	731-212		Air Duct		60	12231		Shifting Finger (243-680)	
12	—		Part of the Engine		61	714-229		#2 Woodruff Key 3/32 x 1/2" Dia. Hardened (243-680)	
16	714-114		Sq. Key 1/4" x 1/4" x 2.00" Lg.		62	711-594		Shifting Fork Rod (243-680)	
17	712-267		Hex Nut 5/16-18" Thd.*		63	12216		Shifting Yoke Ass'y. (243-680)	
18	736-119		Spring Lockwasher 5/16" Scr.*		64	748-164		Sprocket 10 Teeth (243-680)	
19	11452—463		Hopper to Engine Mtg. Plate		65	736-116		Flat Washer .635 I.D. x .93 O.D. x .060 (243-680)	
20	721-128		Gasket Strip—Pressure Sensitive	N	66	716-115		Snap Ring for .625 Dia. Shaft (243-680)	
21	710-409		Hex Scr. 5/16-24 x 1.75" Lg.*		67	756-195		Drive Pulley (243-680)	
22	12203—463		Vane Plate Ass'y.	N	68	736-160		Flat Washer .531 I.D. x .930 O.D. x .050 (243-680)	
23	12230—463		Air Vane	N	69	748-0142		Flange Bearing (243-680)	
24	736-217		Spring Lockwasher 3/8" Scr. Heavy Duty		70	12240—452		Pivot Bracket Ass'y. R.H.	N
25	710-539		Hex Scr. 3/8-24 x 1.75" Lg. HT	N	71	712-107		Hex Center Locknut 1/4-20 Thd.	
26	12236—463		Blower Housing Ass'y.	N	72	732-231		Torsion Spring	
27	731-211		Nozzle		73	720-132		Grip	N
28	736-159		Flat Washer .344 I.D. x .88 O.D. x .063		74	12208		Index Handle Ass'y.	N
29	712-254		Thumb Nut 5/16-18 Thd.	N	75	12241—452		Pivot Bracket Ass'y. L.H.	N
30	721-129		Dust Pad—Pressure Sensitive	N	76	714-115		Cotter Pin 1/8" Dia. x 1.00" Lg.*	
31	712-107		Hex Center Locknut 1/4-20 Thd.		77	736-116		Flat Washer .635 I.D. x .930 O.D. x .060	
32	736-211		Flat Washer .285 I.D. x 1.25 O.D. x .060		78	12217—452		Front Axle Ass'y.	N
33	712-241		Hex Nut 3/8-24" Thd.*		79	710-136		Hex Scr. 1/4-20 x 1.75" Lg.*	
34	736-217		Spring Lockwasher 3/8" Scr. HD		80	734-225		Front Wheel Ass'y.—Comp.	
35	710-118		Hex Scr. 5/16-18 x .75" Lg.*		81	748-176		Flange Bearing .630 I.D. Bronze	
36	736-119		Spring Lockwasher 5/16" Scr.*		82	736-116		Flat Washer .635 I.D. x .930 O.D. x .060	
37	736-119		Spring Lockwasher 5/16" Scr.*		83	714-115		Cotter Pin 1/8" Dia. x 1.00" Lg.*	
38	711-591		Engine Spacer	N	84	12227—452		Bearing Sup. Brkt. (243-680)	N
39	736-119		Spring Lockwasher 5/16" Scr.*		85	712-107		Hex Center Locknut 1/4-20 Thd. (243-680)	
40	712-267		Hex Nut 5/16-18 Thd.*		86	736-329		Spring Lockwasher 1/4" Scr.* (243-680)	
42	736-329		Spring Lockwasher 1/4" Scr. (243-680)		87	710-118		Hex Scr. 5/16-18 x .75" Lg.* (243-680)	
43	710-258		Hex Scr. 1/4-20 x .62" Lg.* (243-680)		88	736-119		Spring Lockwasher 5/16" Scr.* (243-680)	
44	736-329		Spring Lockwasher 1/4" Scr.* (243-680)		89	12211—452		Gear Box Mtg. Brkt. Ass'y. (243-680)	
46	710-148		Hex Inserted Locknut 3/8-24 Thd. (243-680)						
47	712-116		Hex Inserted Locknut 3/8-24 Thd. (243-680)						
48	736-117		Flat Washer .385 I.D. x .62 O.D. x .033 (243-680)						
49	714-127		Cotter Pin 1/16" Dia. x .75" Lg. (243-680)						

PARTS LIST CONTINUED

REF. NO.	PART NO.	COLOR CODE	DESCRIPTION	NEW PART	REF. NO.	PART NO.	COLOR CODE	DESCRIPTION	NEW PART
90	736-119		Spring Lockwasher 5/16" Scr.* (243-680)		117	748-135		Bevel Gear .62" I.D. 28 Teeth (243-680)	
91	710-118		Hex Scr. 5/16-18 x .75" Lg.* (243-680)		118	8187		Gear Box Cover (243-680)	
92	736-329		Spring Lockwasher 1/4" Scr. (243-680)		119	748-110		Flange Bearing .630" I.D. (243-680)	
93	12222—452		Gear Box Brace (243-680)		120	8189		Gear Box (243-680)	
94	712-267		Hex Nut 5/16-18 Thd. (243-680)		121	748-108		Flange Bearing .503" I.D. (243-680)	
95	736-119		Spring Lockwasher 5/16" Scr. (243-680)		122	710-258		Hex Scr. 1/4-20 x .62" Lg.*	
96	710-258		Hex Scr. 1/4-20 x .62" Lg. (243-680)		123	736-211		Flat Washer .285" I.D. x 1.25" O.D. x .060	
97	—		Gear Box Break Down (See 114 through 121) (243-680)		124	8860		Rear Wheel Ass'y. Comp. (243-670)	
98	714-474		Cotter Pin 1/8" Dia. x .75" Lg.* (243-680)		125	12205		Rear Wheel Ass'y. Comp. (243-680)	N
99	736-300		Flat Washer .385" I.D. x .87" O.D. x .06 (243-680)		126	710-118		Hex Scr. 5/16-18 x .75" Lg.*	
100	714-137		Hi-Pro-Key 3/16 x 3/4" Dia. x 1.062" Lg. (243-680)		127	736-119		Spring Lockwasher 5/16" Scr.*	
101	732-273		Compression Spring (243-680)	N	128	12224		Index Plate Ass'y.	N
102	712-429		Hex Inserted Locknut 5/16-18 Thd. (243-680)		129	736-173		Flat Washer .28" I.D. x .74" O.D. x .063	
103	12213—452		Pivot Bracket Ass'y. (243-680)	N	130	712-287		Hex Nut 1/4-20 Thd.* (243-680)	
104	712-267		Hex Nut 5/16-18 Thd.*		131	710-258		Hex Scr. 1/4-20 x .62" Lg.* (243-680)	
105	736-119		Spring Lockwasher 5/16" Scr.*		132	12232		Chain Guard (243-680)	N
106	736-119		Spring Lockwasher 5/16" Scr.*		133	—		Engine	
107	710-118		Hex Scr. 5/16-18 x .75" Lg.*		134	712-107		Hex Center Locknut 1/4-20 Thd.	
108	713-118		Chain #41 x 61 Links (243-680)		135	712-107		Hex Center Locknut 1/4-20 Thd.	
109	713-723		#41 Master Link 1/2" Pitch Type II (243-680)		136	12233		Lower Handle	N
110	12200—452		Engine Mtg. Frame Ass'y.	N	137	12228		Handle Brace	N
111	748-227		Hex Flange Bearing .630" I.D. Bronze		138	710-106		Hex Scr. 1/4-20 x 1.25" Lg.*	
112	736-116		Flat Washer .635" I.D. x .93" O.D. x .060		139	710-106		Hex Scr. 1/4-20 x 1.25" Lg.*	
113	714-126		#9 Hi-Pro-Key 3/16 x 3/4" Dia. (243-680)		140	12234		Upper Handle	N
114	748-136		Pinion Gear .50" I.D. x 14 Teeth (243-680)		141	764-127		Vacuum Bag	N
115	711-593		Drive Shaft (243-680)		142	710-606		Hex Scr. 1/4-20 x 1.50" Lg.*	
116	715-246		Spring Pin Spirol 3/16" Dia. x 1.25 (243-680)		143	712-107		Hex Center Locknut 1/4-20 Thd.	
					144	11609		Throttle Control Ass'y.—Comp. (243-680)	
					145	12104		Deflector	N
					146	710-289		Hex Scr. 1/4-20 x .50" Lg.*	
					147	712-107		Hex Center Locknut 1/4-20 Thd.	
					148	746-128		Cable Clip	
					149	11598		Throttle Control Ass'y. (243-680)	
					150	732-141		Conduit and Wire (243-680)	

(463—Top Flite Red)

When ordering parts, if color or finish is important use the appropriate color code shown above (e.g. Top Flite Red Finish—12236 (463).)

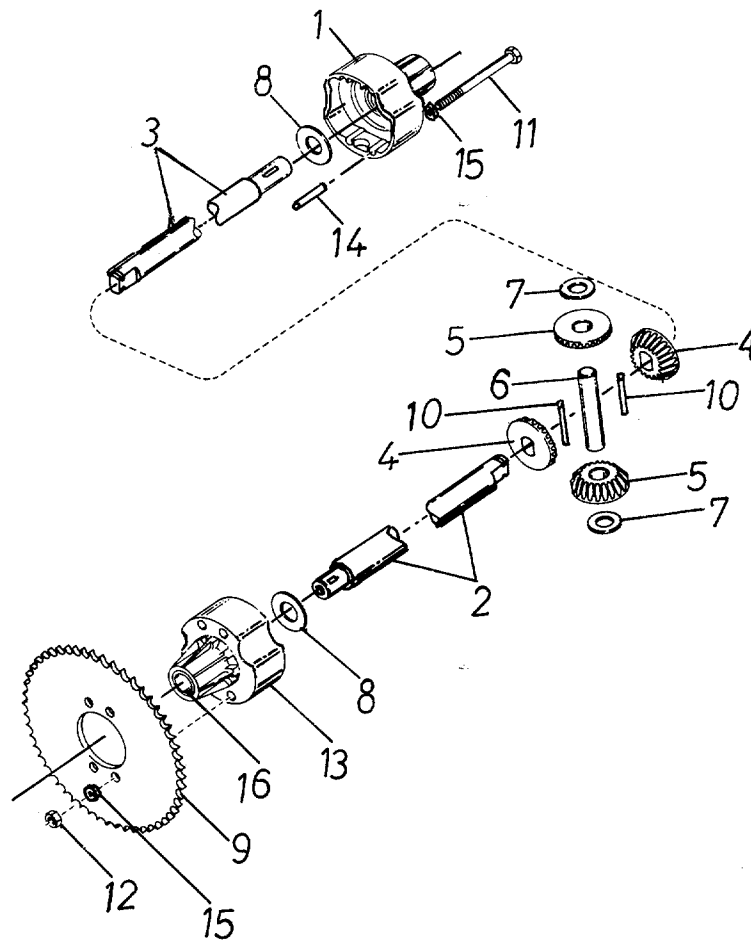
*For faster service obtain standard nuts and bolts locally. If these items cannot be obtained locally, order by part number and size as shown on the parts list.

NOTE: This instruction manual covers various models and all accessories shown do not necessarily apply to your model vacuum. The engine is NOT under warranty by the vacuum manufacturer.

If repairs or service is needed on the engine, please contact your nearest authorized engine service outlet. Check the "Yellow Pages" of your telephone book under "Engines—Gasoline."



FIGURE 2
MODEL 717-284



PARTS LIST FOR FIGURE 2

REF. NO.	PART NO.	COLOR CODE	DESCRIPTION	NEW PART
1	719-150		Housing Half (1)	
2	738-217		Shaft—Short (1) 8.31" Lg. (1)	N
3	738-218		Shaft—Long (1) 15.38" Lg. (1)	N
4	748-185		Gear—Double "D" Hole (2)	
5	748-158		Gear—Round Hole (2)	
6	711-276		Drive Pin (1)	
7	736-187		Flat Washer (2)	
8	736-188		Washer (2)	
9	9054		Sprocket 40 Tooth (1)	
10	715-247		Spirol Pin 3/16" Dia. x 1.00" Lg.* (2)	
11	710-526		Hex Hd. Cap Scr. 5/16-24 x 4.00" Lg.* (4)	
12	712-237		Hex Locknut 5/16-24 Thd. (4)	
13	719-150		Housing Half (1)	
14	715-123		Dowel Pin 3/16" Dia. x .62" Lg. (2)	
15	736-119		Spring Lockwasher 5/16" Scr.* (8)	
16	748-169		Flange Bearing (2)	
17	737-120		Grease—High Temp. 450 F. (2 oz.)	N

*For faster service obtain standard nuts and bolts locally. If these items cannot be obtained locally, order by part number and size as shown on the parts list.

WARRANTY

For one year from date of purchase, MTD Products Inc will replace for the original purchaser, free of charge, F.O.B. factory or authorized service firm, any part or parts found to be defective in material or workmanship. All transportation charges on parts submitted for replacement under this warranty must be paid by the purchaser. This warranty does not include replacement of parts which become inoperative through misuse, excessive use, accident, neglect, improper maintenance or alterations by unauthorized persons. This warranty does not include the engine, motor, battery, battery charger or any component parts thereof. For service on these units, refer to the applicable manufacturer's warranty.

The above warranty will apply only to the original owner and will be effective only if the warranty card has been properly processed. It will not apply where the unit has been used commercially.

Warranty service is available through your local authorized service dealer or distributor. **UNDER NO CIRCUMSTANCES WILL THE RETURN OF A COMPLETE UNIT BE ACCEPTED BY THE FACTORY UNLESS PRIOR WRITTEN PERMISSION HAS BEEN EXTENDED.**

PARTS INFORMATION

DEFECTIVE OR MISSING PARTS must be reported to the factory immediately. Such claims must include your model number and date of purchase.

MOWER, TILLER, SNOW THROWER, TRACTOR, TRAIL BIKE AND MUD BUG PARTS

Mower, tiller, snow thrower, tractor, trail bike and mud bug parts are available through the authorized service firms listed below. All orders should specify the model number of your unit, parts numbers, de-

scription of parts and the quantity of each part required.

BRIGGS & STRATTON, TECUMSEH AND PEERLESS PARTS AND SERVICE

Briggs & Stratton, Tecumseh and Peerless parts and service should be handled by your nearest authorized engine service firm. Check the yellow pages of your telephone directory under the listing *Engines - Gasoline*, Briggs & Stratton or Tecumseh Lauson - Power Products.

A 1 Engine & Mower Co.

327 East 9th Street
Salt Lake City, Utah 84102

American Electric Ignition Co.

124 N. W. 8th Street
Oklahoma City, Oklahoma 73102

Auto Electric & Carburetor Co.

2625 4th Avenue, S.
P. O. Box 1948
Birmingham, Alabama 35233

Automotive Equipment Service Co.

3117 Holmes Street
Kansas City, Missouri 64109

Bailey's Rebuild Inc.

1325 E. Madison Street
Seattle, Washington 98102

Brown Equipment Distributor Inc.

110 Beech Street
Corydon, Indiana 47112

Bullard Supply

2409 Commerce Street
Houston, Texas 77003

Catto & Putty, Inc.

P. O. Box 2408
510 Soledad Street
San Antonio, Texas 78205

Center Supply Company

6867 New Hampshire Avenue
Takoma Park, Maryland 20012

Charles B. Wright Co.

309 4th Avenue, South
Nashville, Tennessee 37201

W. B. Clements

400 Salem Avenue
Roanoke, Virginia 24016

Morton B. Collins Co.

300 Birnie Avenue
Springfield, Massachusetts 01107

Dixie Sales Company

P. O. Box 1408
327 Battleground Avenue
Greensboro, North Carolina 27402

East Point Cycle & Key Shop

1617 Whiteway
East Point, Georgia 30044

Gamble Distributors

West End Avenue
Carthage, New York 13619

Garden Equipment Co., Inc.

6600 Cherry Avenue
Long Beach, California 90805

Henzler, Inc.

2015 Lemay Ferry Road
St. Louis, Missouri 63125

Frank E. Ives & Son

1101 Lincoln Avenue
Prospect Park, Pennsylvania 19076

J. W. Jewett Co.

981 Folsom Street
San Francisco, California 94107

Kenton Supply

8216 North Denver Avenue
Portland, Oregon 97217

Kimber's Inc.

115 W. Geddes St.
Syracuse, New York 13204

The Lawnmower Shop

1340 El Camino Real
San Carlos, California 94070

Marr Brothers

423 E. Jefferson
Dallas, Texas 75203

Mathews Auto Electric Co.

420 East 2nd Street
Tulsa Oklahoma 74120

McClure Lawn & Garden Supply

1114 Lexington Avenue
Mansfield, Ohio 44907

Memphis Cycle & Supply Co.

421 Monroe Avenue
Memphis Tennessee 38103

Moz-All of Florida, Inc.

365 Greco Avenue
Coral Gables, Florida 33146

National Central, Div. of

Joe Sterling, Inc.
Drawer "D" 687 Seville Rd.
Wadsworth, Ohio 44281

Power Equipment Distributor

36463 So. Gratiot Avenue
Mt. Clemons, Michigan 48043

Parts & Sales Inc.

2101 Industrial Pkwy.
Elkhart, Indiana 46514

Parts & Sales Inc.

335 West St. Charles Road
Villa Park, Illinois 60181

Power Lawn & Garden Equip. Co.

2551-2571 J. F. Kennedy Road
Dubuque, Iowa 52001

Raub Supply Company

James & Mulberry Sts.
Lancaster, Pennsylvania 17604

Radco Distributors

2403 Market Street
P. O. Box 3216
Jacksonville, Florida 32206

Richmond Battery & Ignition

P. O. Box 25369 - 957 Myers St.
Richmond, Virginia 23260

Smith Hardware Company

515 N. George Street
Goldsboro, North Carolina 27530

South Denver Lawn Equip. Co.

527 West Evans
Denver, Colorado 80223

Suhren Engine

8330 Earhart Blvd.
New Orleans, Louisiana 70118

Sutton's Lawn Mower Shop

Route 4, Box 343
North Little Rock, Arkansas 72117

Warner Equipment

7520 Lyndale Avenue, So.
Minneapolis, Minnesota 55423

WARRANTY PARTS AND SERVICE POLICY

The purpose of warranty is to protect the customer from defects in material and workmanship, defects which are not detected at the time of manufacture.

Our aim is to build into our product quality and reliability. Considerable emphasis is placed on quality control in order to assure our customer of satisfactory product performance. To achieve this goal, it is necessary to gain the cooperation of all concerned, MTD, our sales force and our customers.

MTD's responsibility is to build a quality product and to back up that product. MTD must build this quality product at a competitive price. This cannot be achieved without production in quantity. Quantity production is mass production. In mass production it is always possible for undetected defects to be present when the product reaches the customer. Our warranty is extended to assure the customer that any such defects will be corrected.

Use and maintenance are the responsibility of the customer. MTD cannot assume responsibility for conditions over which it has no control. MTD's responsibility does not cover misuse, excessive use, accident neglect, improper maintenance or alterations by unauthorized persons. Satisfactory product performance can only result when a manufacturer provides and backs up a quality product and the customer follows through with proper use and proper maintenance of that product. When both the manufacturer and the customer recognizes and assumes his responsibility, satisfactory product performance and customer satisfaction are assured.

Free Manuals Download Website

<http://myh66.com>

<http://usermanuals.us>

<http://www.somanuals.com>

<http://www.4manuals.cc>

<http://www.manual-lib.com>

<http://www.404manual.com>

<http://www.luxmanual.com>

<http://aubethermostatmanual.com>

Golf course search by state

<http://golfingnear.com>

Email search by domain

<http://emailbydomain.com>

Auto manuals search

<http://auto.somanuals.com>

TV manuals search

<http://tv.somanuals.com>